

# VULCAN

## CATALOG OF REPLACEMENT PARTS

### COMBI GAS OVENS

#### MODELS

<i>ML-126836</i>	<i>VCG10H</i>
<i>ML-126837</i>	<i>VCG10F</i>
<i>ML-126838</i>	<i>VCG20H</i>



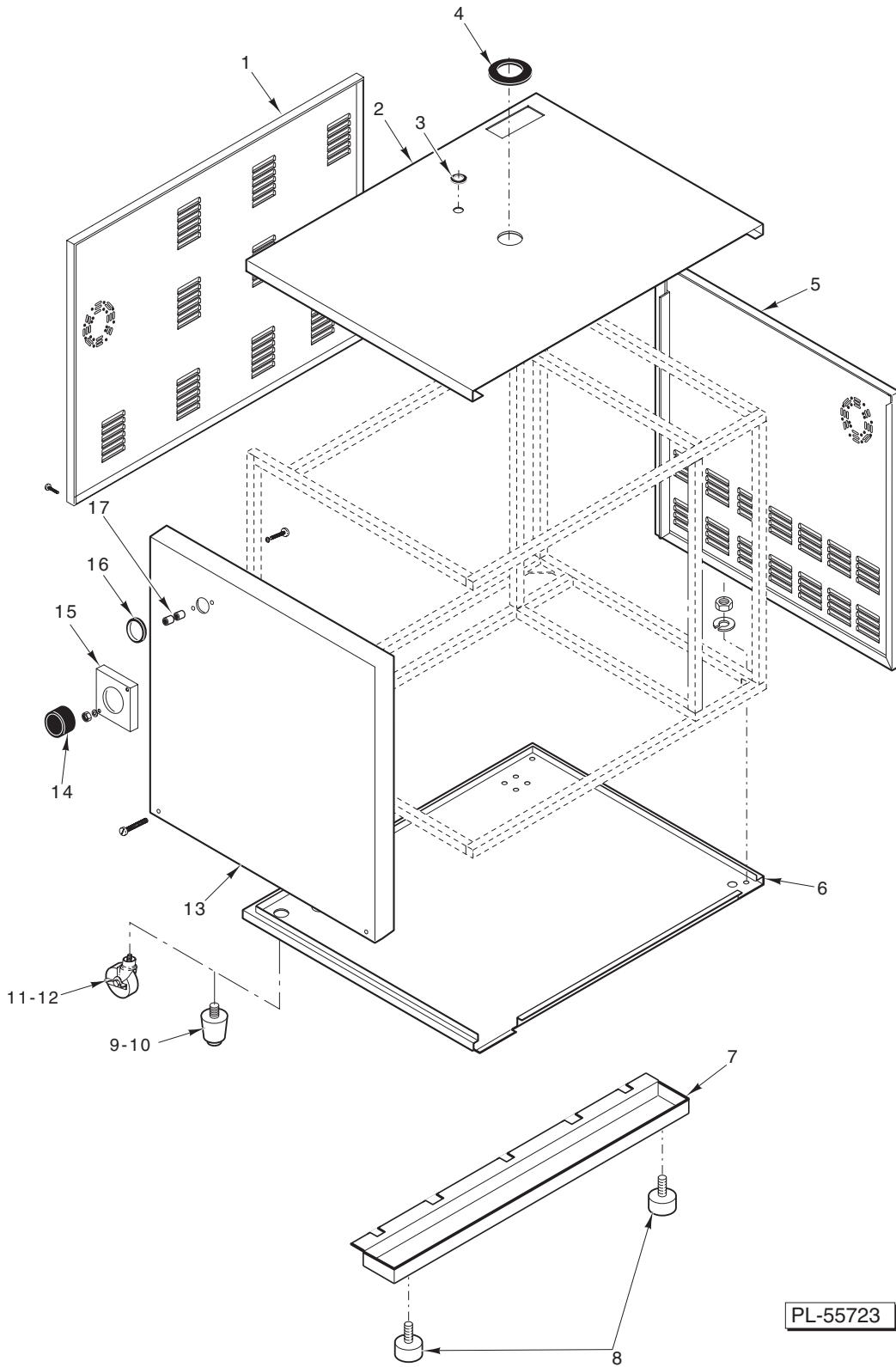
For additional information on Vulcan-Hart Company or to locate an authorized parts and service provider in your area, visit our website at [www.vulcanhart.com](http://www.vulcanhart.com)



---

**Table of Contents**

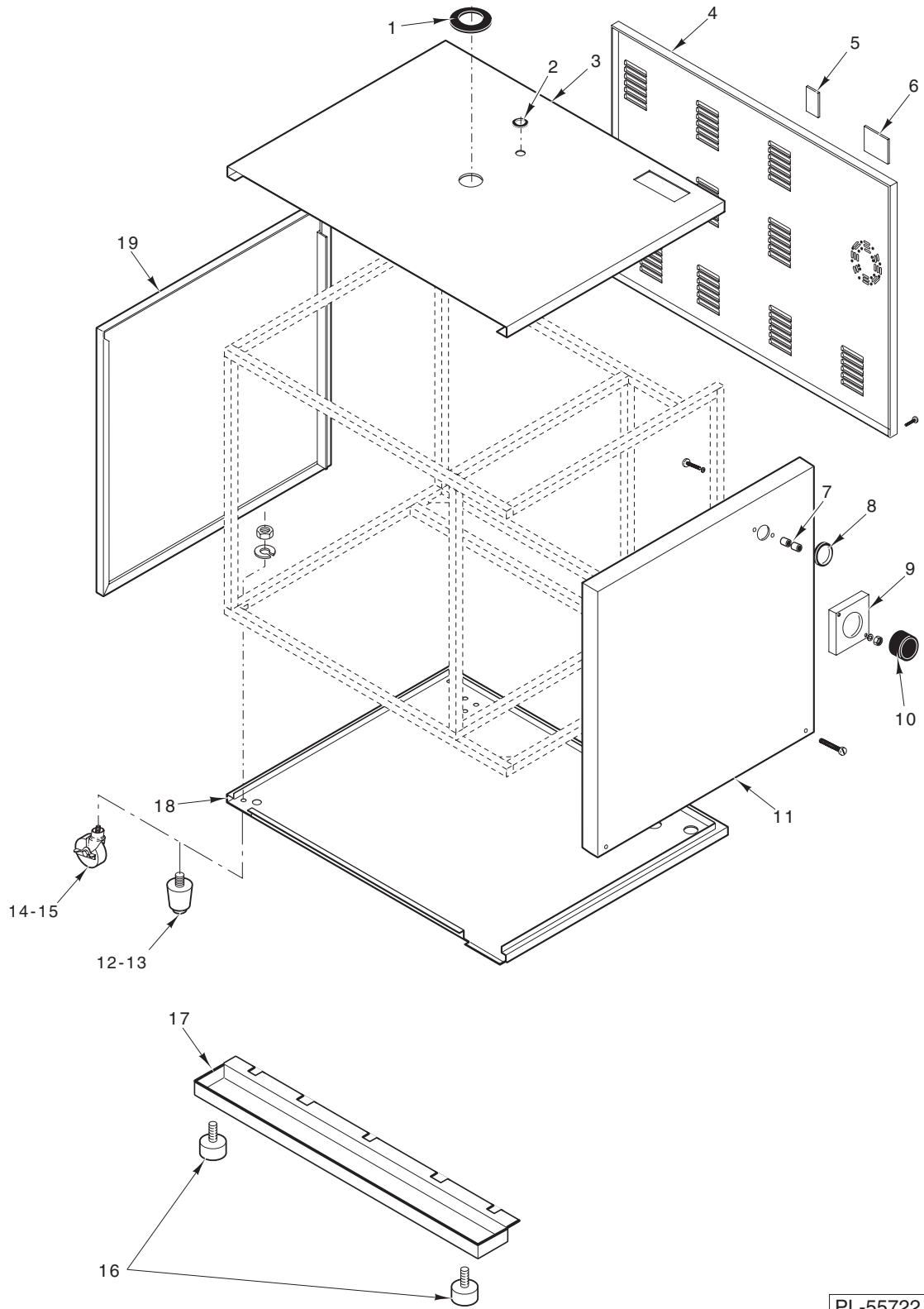
<b>Page</b>	<b>Description</b>
5	Frame and Panels (10 Level Full Size)
7	Frame and Panels (10 Level Half Size)
9	Frame and Panels (20 Level Half Size)
11	Cavity and Heating Element
13	Door Assembly (10 Level)
15	Door Assembly (20 Level)
17	Interlocking Door
19	Electronic Controls (10 Level)
21	Electronic Controls (20 Level)
23	Pipework and Drain
24	Ventilation Unit 1
25	Cavity Vent
27	Filter and Carriage (10 Level)
29	Filter and Carriage (20 Level)
31	Ventilation Unit 2
33	Gas Connection
35	Gas Components (10 Half & 20 Half)
37	Gas Components (10 Full)
39	Electrical Component Panel
41	Booster Heater (Gas)
43	Booster Heater (Gas) (20 Level)
44	Table and Trolley Assembly



**FRAME AND PANELS  
(10 LEVEL FULL SIZE)**

**FRAME AND PANELS  
(10 LEVEL FULL SIZE)**

ILLUS.	PART NO.	NAME OF PART	AMT.
PL-55723			
1	00-480258	Panel – Back (10 Full Gas) .....	1
2	00-480270-00002	Panel – Top (10 Full Gas) .....	1
3	00-492110	Grommet – Drain Pipe Vent .....	1
4	00-492183	Grommet 3 In. Vent Tube .....	1
5	00-480261	Panel (RH Side) (10 Full Gas) .....	1
6	00-480302	Panel – Bottom (10 Full Gas) .....	2
7	00-480245	Drip Tray .....	1
8	00-845475	Thumb Screws .....	2
9	00-851220-00007	Leg – 4 In. Flanged .....	4
10	00-851220-00005	Leg – 6 In. Flanged .....	4
11	00-851794-00001	Caster – 6 In. Locking .....	2
12	00-851794-00002	Caster – 6 In. Non-Locking .....	2
13	00-480262	Panel (LH Side) (10 Full Gas) .....	2
14	00-493541	Filter – Air .....	2
15	00-845421	Cover – Filter .....	1
16	00-492183	Grommet 3 In. Vent Tube .....	1
17	00-845107	Tube – Spacer .....	1

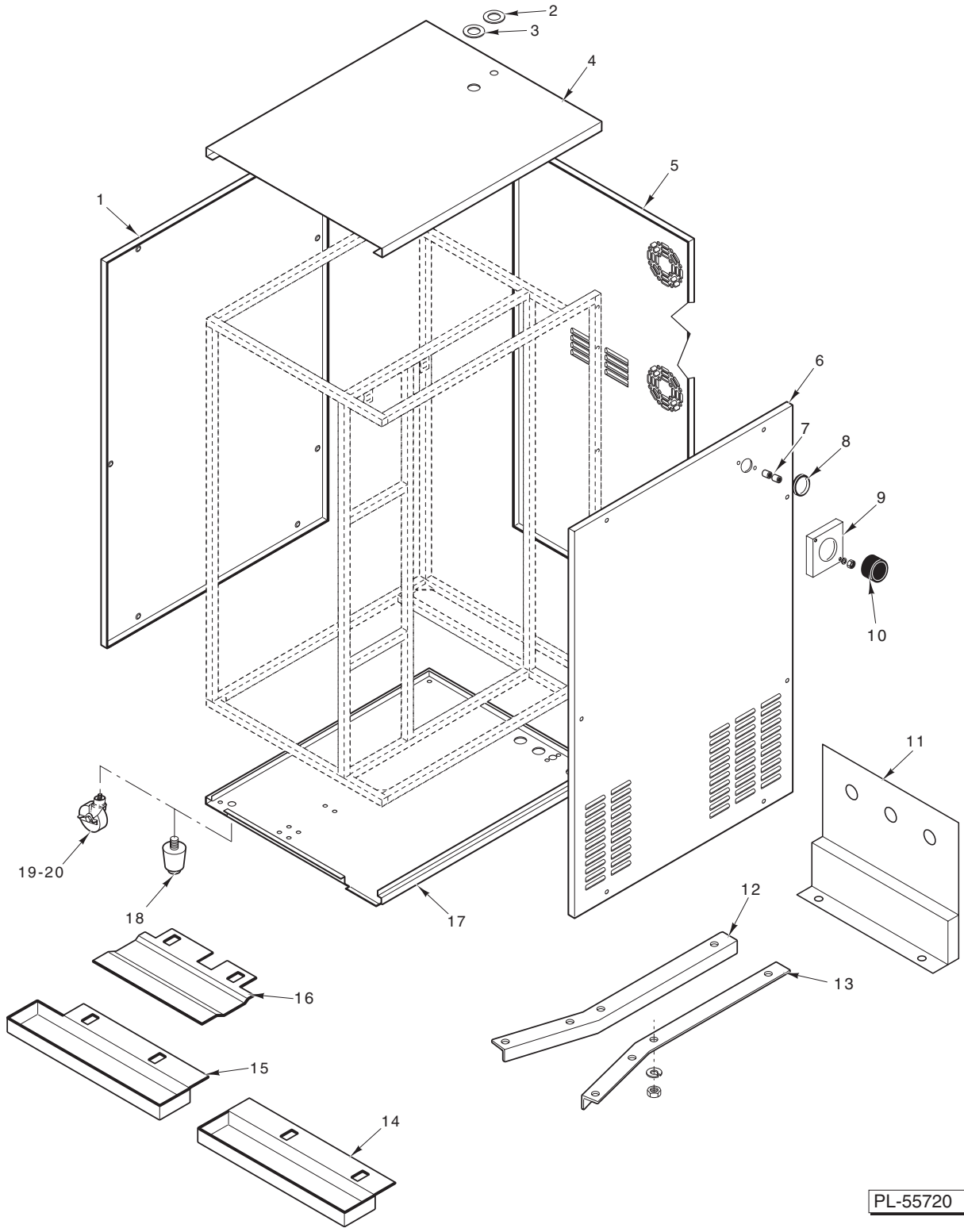


PL-55722

**FRAME AND PANELS  
(10 LEVEL HALF SIZE)**

**FRAME AND PANELS  
(10 LEVEL HALF SIZE)**

ILLUS. PL-55722	PART NO.	NAME OF PART	AMT.
1	00-492183	Grommet 3 In. Vent Tube.....	1
2	00-492110	Grommet – Drain Pipe Vent .....	1
3	00-480270-00001	Panel – Top (10 Half Gas) .....	1
4	00-480257	Panel – Back (10 Half Gas) .....	1
5	00-844674	Label – Electric Warning .....	1
6	00-844675	Label – Water Hook-Up .....	1
7	00-845107	Tube – Spacer .....	1
8	00-492183	Grommet 3 In. Vent Tube.....	1
9	00-845421	Cover – Filter .....	1
10	00-493541	Filter – Air .....	2
11	00-480260	Panel (RH Side) (10 Half Gas) .....	2
12	00-851220-00007	Leg – 4 In. Flanged .....	4
13	00-851220-00005	Leg – 6 In. Flanged .....	4
14	00-851794-00001	Caster – 6 In. Locking .....	2
15	00-851794-00002	Caster – 6 In. Non-Locking .....	2
16	00-845475	Thumb Screws .....	2
17	00-480245	Drip Tray .....	1
18	00-480301	Panel – Bottom (10 Half Gas) .....	1
19	00-845036-00002	Panel (LH Side) (10 Half Gas) .....	1

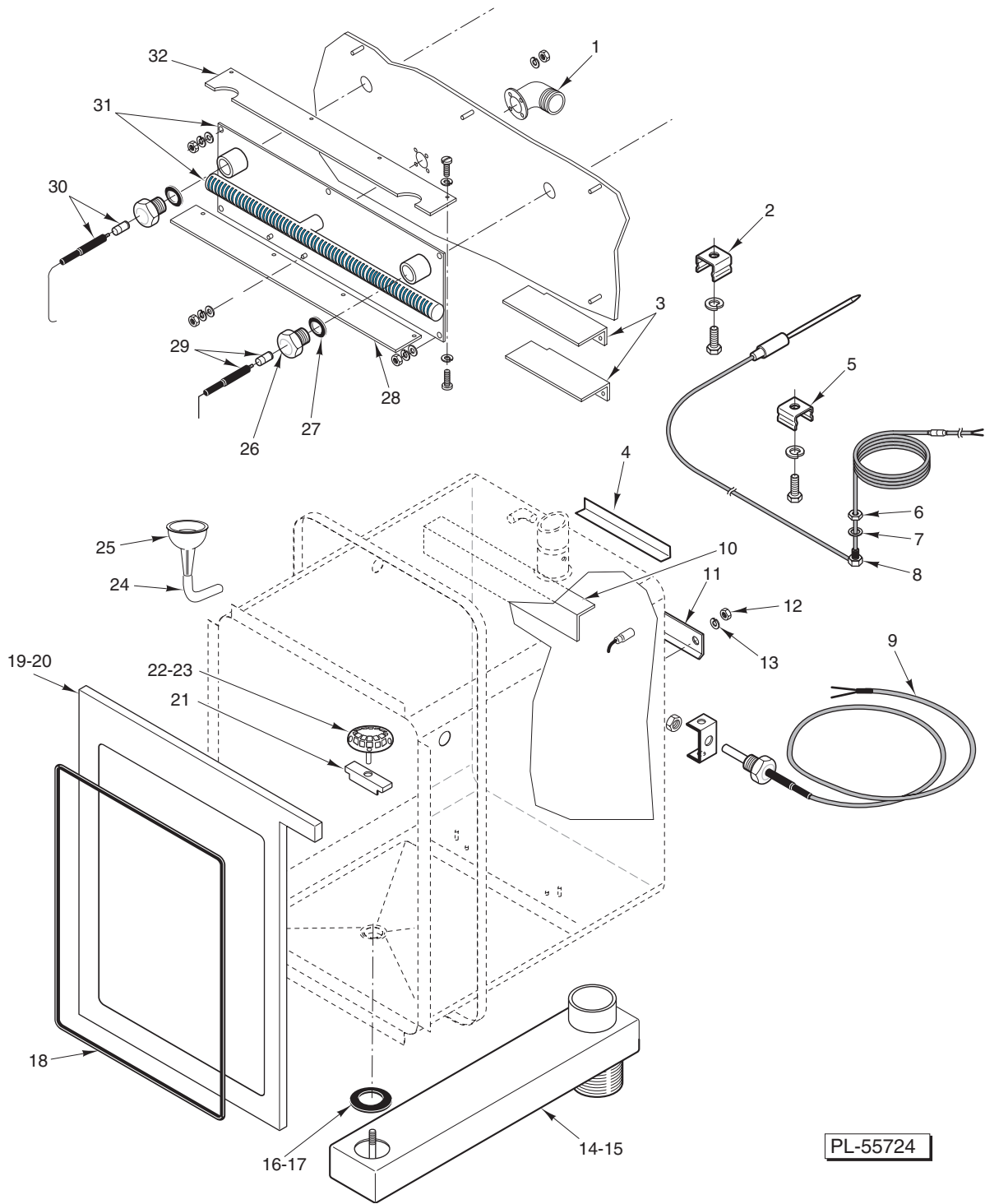


PL-55720

**FRAME AND PANELS  
(20 LEVEL HALF SIZE)**

**FRAME AND PANELS  
(20 LEVEL HALF SIZE)**

ILLUS. PL-55720	PART NO.	NAME OF PART	AMT.
1	00-844963-00001	Panel – Left Side (20 Half) .....	1
2	00-492110	Grommet – Drain Vent Tube .....	1
3	00-492183	Grommet – Cavity Vent Tube .....	1
4	00-480270-00001	Panel – Top (20 Half) .....	1
5	00-480277	Panel – Back (20 Half) .....	1
6	00-480279	Panel – Right Side (20 Half) .....	1
7	00-845107	Tube – Spacer .....	4
8	00-492183	Grommet 3 In. Vent Tube .....	1
9	00-845421	Cover – Filter .....	1
10	00-493541	Filter – Air .....	1
11	00-845450-00002	Bracket .....	1
12	00-322258	Guide – Left .....	1
13	00-322259	Guide – Right .....	1
14	00-492966	Drip Pan – Right .....	1
15	00-492965	Drip Pan – Left .....	1
16	00-492964	Drip Pan – Center .....	1
17	00-480270-00001	Panel – Bottom (20 Half) .....	1
18	00-851220-00003	Leg – 7 <sup>1</sup> / <sub>4</sub> In. Flanged .....	4
19	00-851220-00009	Caster – 7 <sup>1</sup> / <sub>4</sub> In. Locking .....	2
20	00-851220-00010	Caster – 7 <sup>1</sup> / <sub>4</sub> In. Non-Locking .....	2

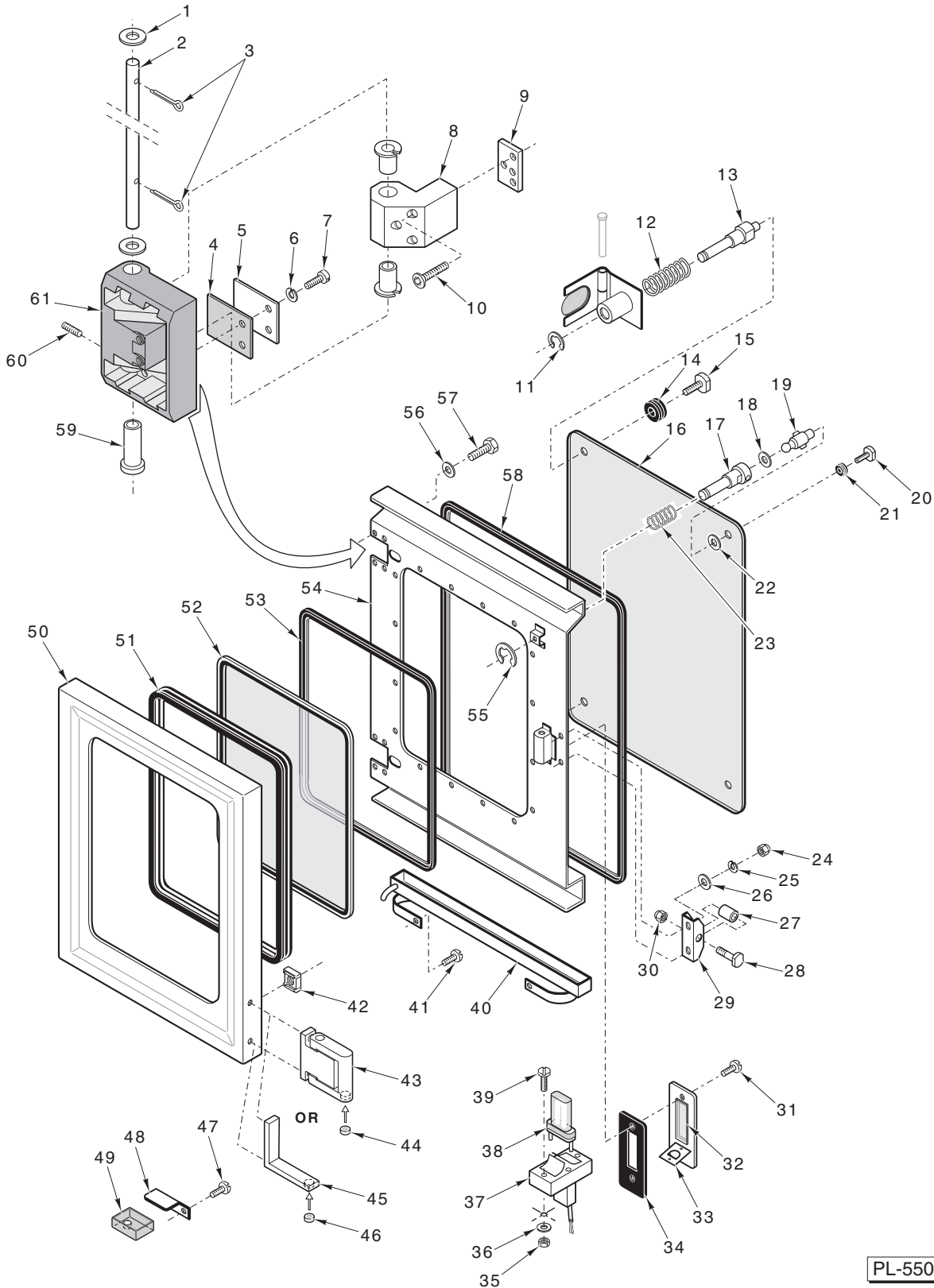


PL-55724

**CAVITY AND HEATING ELEMENT**

## CAVITY AND HEATING ELEMENT

ILLUS. PL-55724	PART NO.	NAME OF PART	AMT.
1	00-844612	Fitting – Burner .....	1
2	00-845365-00001	Bracket – Meat Probe .....	1
3	00-844611	Baffle – Air .....	2
4	00-153333	Insulator – High Limit Bulbs .....	1
5	00-845365-00002	Bracket – Meat Probe Front .....	1
6	NS-047-52	Nut M10 Hex .....	1
7	00-845404	Gasket .....	1
8	00-844919-00004	Probe – Meat, Thermocouple J4 mm .....	1
9	00-492997	Thermocouple – Cavity J .....	1
10	00-845533	Deflector – Heat Top (10 Full Gas) .....	1
11	00-322194	Bracket – High Limit Probe .....	1
12	NS-047-37	Nut M5 x 0.8 Hex (SST) .....	2
13	WL-019-69	Lockwasher – M5 External Shakeproof .....	1
14	00-845454-00001	Drain – Weldment (Half Size) .....	1
15	00-845454-00002	Drain – Weldment (Full Size) .....	1
16	00-233982-00006	Gasket – Drain (Half Size) .....	1
17	00-233982-00007	Gasket – Drain (Full Size) .....	1
18	00-492455	Gasket – Cavity Face Seal .....	1
19	00-845046-00002	Cavity – Front (10 Level) .....	1
20	00-844970	Cavity – Front (20 Level) .....	1
21	00-493544	Bracket – Cavity Drain (Half) .....	1
22	00-493542	Drain Strainer (Half) .....	1
23	00-493543	Drain Strainer (Full) .....	1
24	00-845458-00002	Hose – Deliming (18 mm I.D. x 24 mm O.D. x 720 mm Lg.) .....	1
25	00-492201	Funnel – Deliming .....	1
26	00-844610	Fitting – Electrode Bolt .....	2
27	00-493927	Gasket (13 mm I.D. x 18 mm O.D.) .....	2
28	00-844609	Deflector – Burner .....	1
29	00-844804	Electrode – Flame Sensor .....	1
30	00-844803	Electrode – Flame Igniter .....	1
31	00-844607	Burner – Gas Combi .....	1
32	00-844608	Deflector – Burner Top .....	1

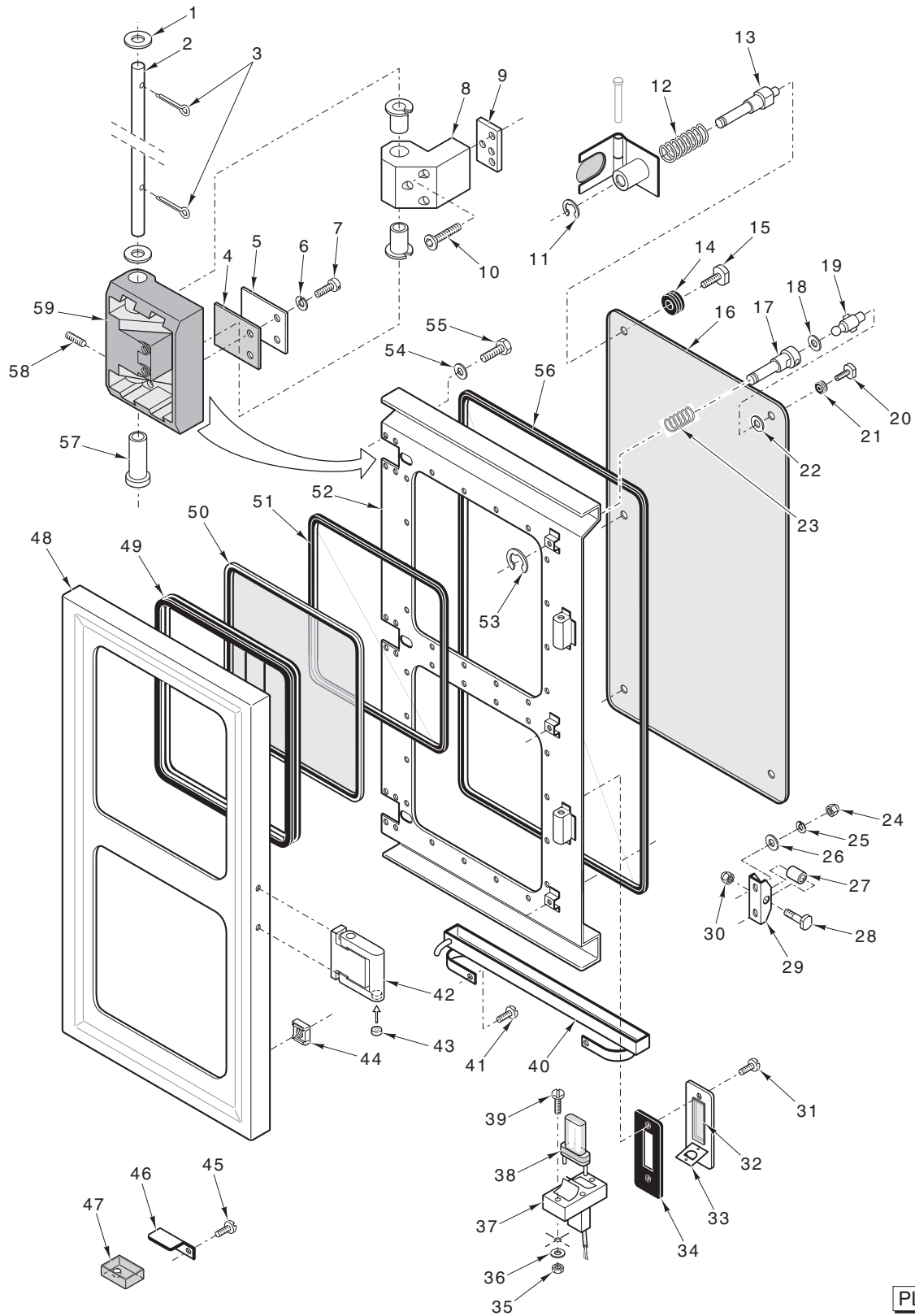


PL-55049

**DOOR ASSEMBLY  
(10 LEVEL)**

## DOOR ASSEMBLY (10 LEVEL)

ILLUS. PL-55049	PART NO.	NAME OF PART	AMT.
1	00-602287	Washer .....	4
2	00-492145-00002	Pin – Hinge .....	1
3	00-602884	Cotter Pin .....	4
4	00-492148	Spacer – Door .....	2
5	00-492043	Plate .....	2
6	00-602307	Lockwasher .....	2
7	SC-200-15	Cap Screw M4 x 0.7 x 10 mm Soc. Hex Hd. ....	2
8	00-492147	Hinge .....	2
9	00-844766	Plate – Spacer .....	1
10	SC-200-17	Cap Screw M4 x 0.7 x 12 mm Soc. Hex Hd. ....	3
11	RR-010-18	Retaining Ring .....	1
12	00-492155	Spring .....	4
13	00-845199	Stud .....	4
14	00-491760	Gasket .....	2
15	00-844986	Thumb Screw .....	2
16	00-492465	Inner Door Glass .....	1
17	00-845375	Shaft .....	2
18	00-845377	Washer .....	2
19	00-845392-00001	Shaft – Pivot .....	2
20	00-844986	Screw .....	2
21	00-491760	Gasket .....	2
22	WS-030-57	Washer (SST) .....	2
23	00-492155	Spring .....	2
24	NS-047-29	Acorn Nut M8 x 1.25 .....	2
25	WL-019-70	Lockwasher M8 Helical .....	2
26	WS-004-18	Washer .....	2
27	00-844941	Bushing .....	1
28	00-844940	Screw .....	1
29	00-845044	Catch – Door .....	1
30	NS-047-34	Acorn Nut M6 x 1 (SST) .....	1
31	SC-118-67	Cap Screw M6 x 1 x 10 mm Soc. Hex Hd. ....	2
32	00-494058	Door Lamp Glass .....	1
33	00-845453	Door Lamp Cover .....	1
34	00-494059	Gasket – Door Light .....	1
35	NS-048-68	Nut M6 x 1 Hex (SST) .....	3
36	WS-030-01	Washer (Nylon) .....	3
37	00-494045	Socket .....	1
38	00-844952	Lamp (20W., 12 VAC) .....	1
39	SC-118-67	Cap Screw M6 x 1 x 10 mm Soc. Hex Hd. ....	3
40	00-492053	Tray – Drip .....	1
41	SC-120-54	Cap Screw M8 x 1.25 x 10 mm Soc. Hex Hd. ....	2
42	00-149926-00005	Nut Plate .....	2
43	00-494203-00001	Handle – Door .....	1
44	00-170016	Magnet .....	1
45	00-480074	Door Handle (For Stacked Units) (Lower Machine Only) .....	1
46	00-170016	Magnet .....	1
47	SC-120-54	Cap Screw M8 x 1.25 x 10 mm Soc. Hex Hd. ....	1
48	00-844729	Bracket .....	1
49	00-492440	Drip Tray Diverter .....	1
50	00-845452-00002	Panel – Door Outer .....	1
51	00-492462	Gasket .....	1
52	00-492937	Window – External .....	1
53	00-149915-00002	Outer Door Gasket .....	1
54	00-845451-00002	Panel – Door Inner .....	1
55	RR-010-18	Retaining Ring .....	2
56	WS-004-18	Washer .....	2
57	SC-120-54	Cap Screw M8 x 1.25 x 10 mm Soc. Hex Hd. ....	2
58	00-492466	Inner Door Gasket .....	1
59	00-492215	Bushing .....	1
60	SC-117-35	Set Screw M6 x 1 x 10 mm Hex Hdls., Cup Pt. ....	1
61	00-492146	Hinge .....	2

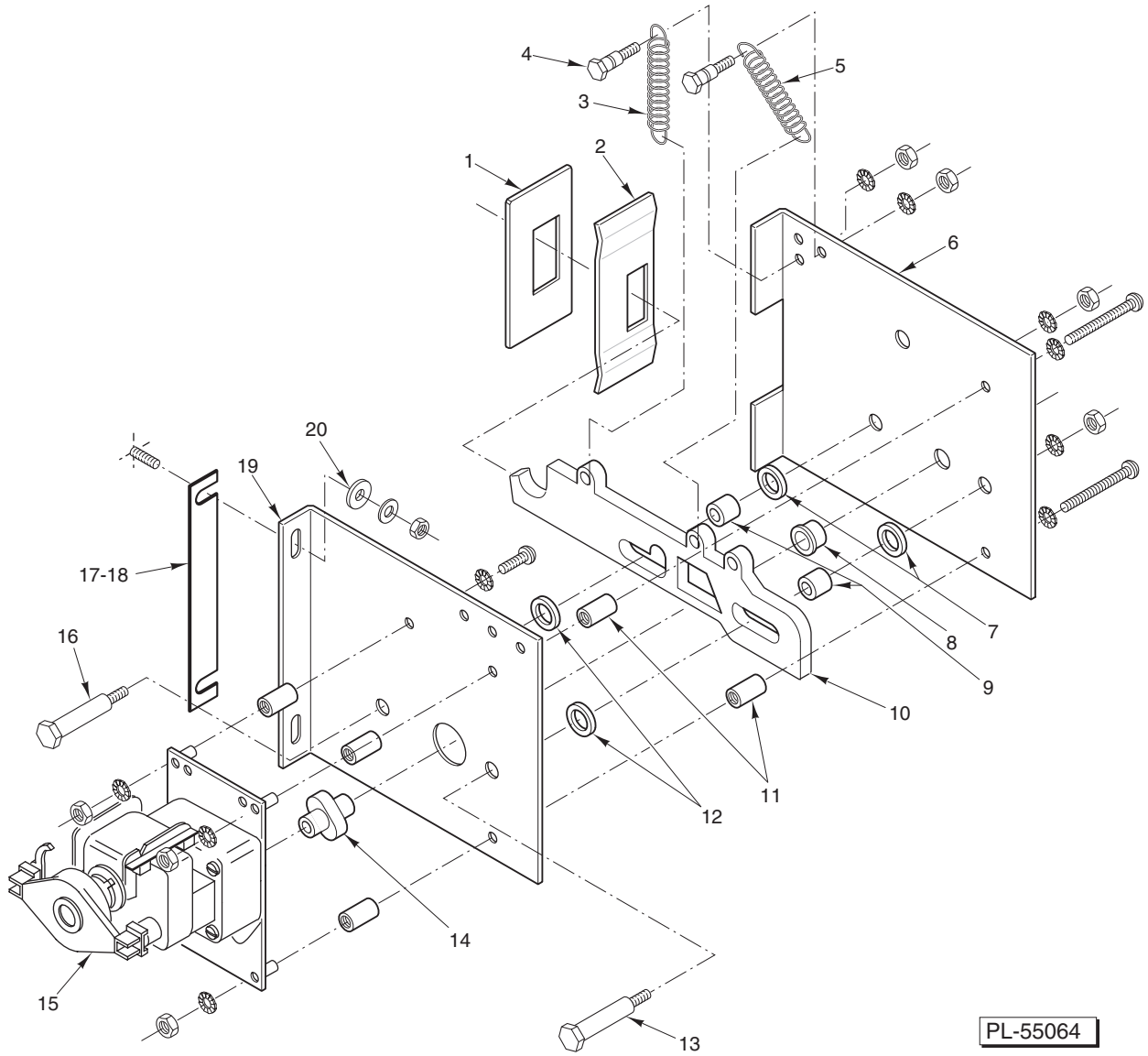


PL-55051

**DOOR ASSEMBLY  
(20 LEVEL)**

## DOOR ASSEMBLY (20 LEVEL)

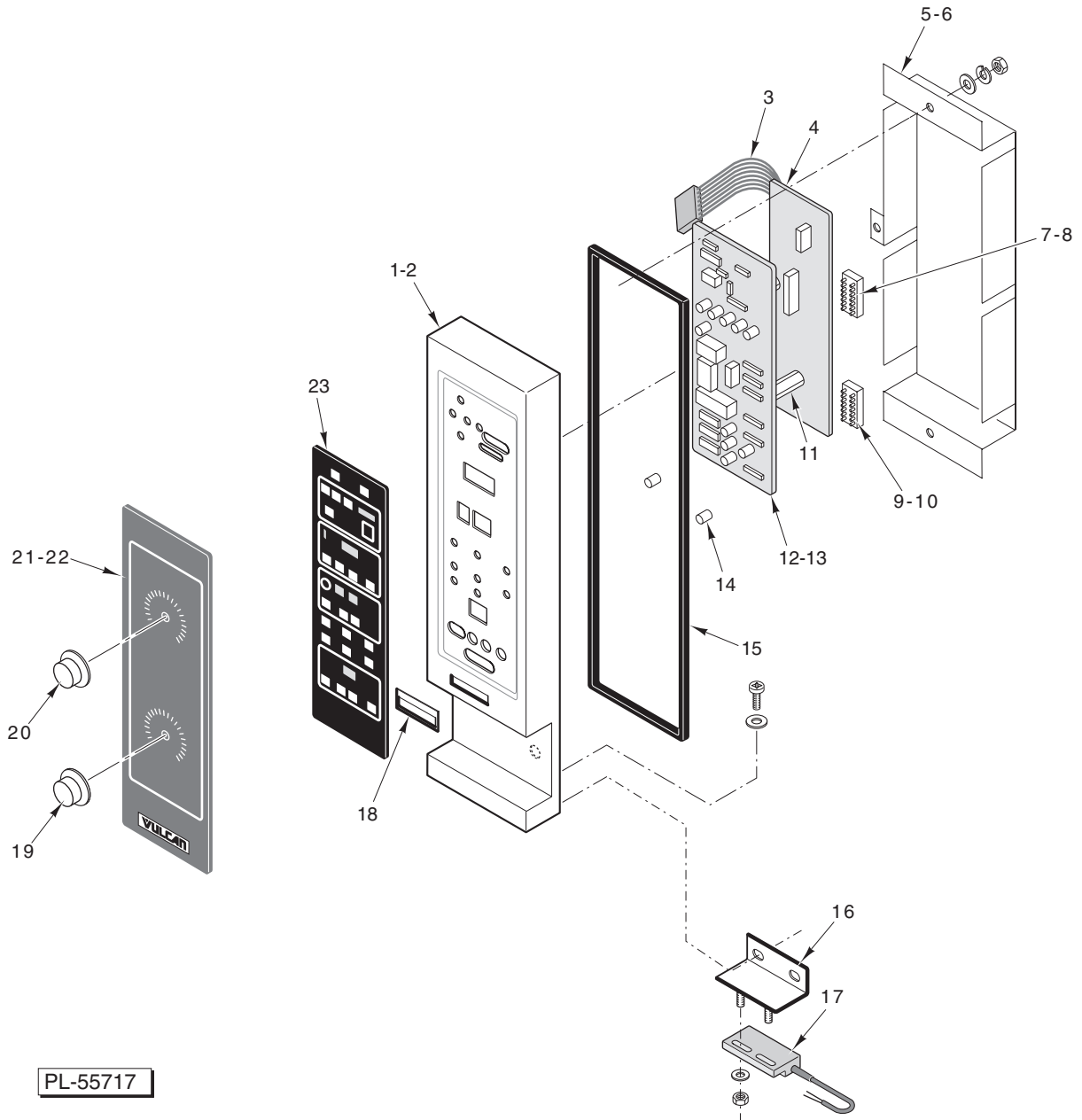
ILLUS. PL-55051	PART NO.	NAME OF PART	AMT.
1	00-602287	Washer .....	6
2	00-492145-00003	Pin – Hinge .....	1
3	00-602884	Cotter Pin .....	6
4	00-492148	Spacer – Door .....	3
5	00-492043	Plate .....	3
6	00-602307	Lockwasher .....	2
7	SC-200-15	Cap Screw M4 x 0.7 x 10 mm Soc. Hex Hd. ....	2
8	00-492147	Hinge .....	3
9	00-844766	Plate – Spacer .....	1
10	SC-200-17	Cap Screw M4 x 0.7 x 12 mm Soc. Hex Hd. ....	3
11	RR-010-18	Retaining Ring .....	2
12	00-153294-00001	Spring .....	5
13	00-845199	Stud .....	3
14	00-491760	Gasket .....	5
15	00-844986	Thumb Screw .....	5
16	00-491756	Inner Door Glass .....	1
17	00-845375	Shaft .....	2
18	00-845377	Washer .....	2
19	00-845392-00001	Shaft – Pivot .....	2
20	00-844986	Screw .....	2
21	00-491760	Gasket .....	2
22	WS-030-57	Washer (SST) .....	2
23	00-153294-00001	Spring .....	2
24	NS-047-29	Acorn Nut M8 x 1.25 .....	2
25	WL-019-70	Lockwasher M8 Helical .....	2
26	WS-004-18	Washer .....	2
27	00-844941	Bushing .....	2
28	00-844940	Screw .....	2
29	00-845016	Catch – Door .....	2
30	NS-048-68	Nut M6 x 1 Hex (SST) .....	1
31	SC-118-67	Cap Screw M6 x 1 x 10 mm Soc. Hex Hd. ....	2
32	00-494058	Door Lamp Glass .....	2
33	00-845453	Door Lamp Cover .....	2
34	00-494059	Gasket – Door Light .....	2
35	NS-048-68	Nut M6 x 1 Hex (SST) .....	3
36	WS-030-01	Washer .....	3
37	00-494045	Socket .....	2
38	00-844952	Lamp (20W., 12 VAC) .....	2
39	SC-118-67	Cap Screw M6 x 1 x 10 mm Soc. Hex Hd. ....	3
40	00-492053	Tray – Drip .....	1
41	SC-120-54	Cap Screw M8 x 1.25 x 10 mm Soc. Hex Hd. ....	2
42	00-494203-00001	Handle – Door .....	1
43	00-170016	Magnet .....	1
44	00-149926-00005	Nut Plate .....	3
45	SC-120-54	Cap Screw M8 x 1.25 x 10 mm Soc. Hex Hd. ....	1
46	00-844729	Bracket .....	1
47	00-492440	Drip Tray Diverter .....	1
48	00-845452-00003	Panel – Door Outer .....	1
49	00-492462	Gasket .....	2
50	00-492937	Window – External .....	2
51	00-149915-00002	Outer Door Gasket .....	2
52	00-845451-00003	Panel – Door Inner .....	1
53	RR-010-18	Retaining Ring .....	2
54	WS-004-18	Washer .....	2
55	SC-120-54	Cap Screw M8 x 1.25 x 10 mm Soc. Hex Hd. ....	2
56	00-491759	Inner Door Gasket .....	1
57	00-492215	Bushing .....	3
58	SC-117-35	Set Screw M6 x 1 x 10 mm Hex Hdls., Cup Pt. ....	1
59	00-492146	Hinge .....	3



**INTERLOCKING DOOR**

**INTERLOCKING DOOR**

ILLUS.	PART NO.	NAME OF PART	AMT.
PL-55064			
1	00-492916	Plate .....	1
2	00-492968	Plate .....	1
3	00-491985	Spring – Tension .....	2
4	00-492419	Screw .....	2
5	00-491985	Spring – Tension .....	1
6	00-844918	Plate – Rear Door Latch Assy. ....	1
7	00-492423	Washer .....	4
8	00-492114	Bushing .....	1
9	00-492424	Spacer .....	2
10	00-492420	Hook .....	1
11	00-492425	Spacer .....	2
12	00-492423	Washer .....	2
13	00-492422	Screw .....	2
14	00-492427	Cam (6 mm Hole) .....	1
15	00-480028-00002	Door Motor .....	1
16	00-492422	Screw .....	2
17	00-845402-00002	Spacer Plate (1 mm) .....	1
18	00-845402-00001	Spacer Plate (0.4 mm) .....	2
19	00-492366	Plate .....	1
20	00-149940-00024	Washer .....	2
	00-844960-00011	Complete Door Motor Assy. ....	1

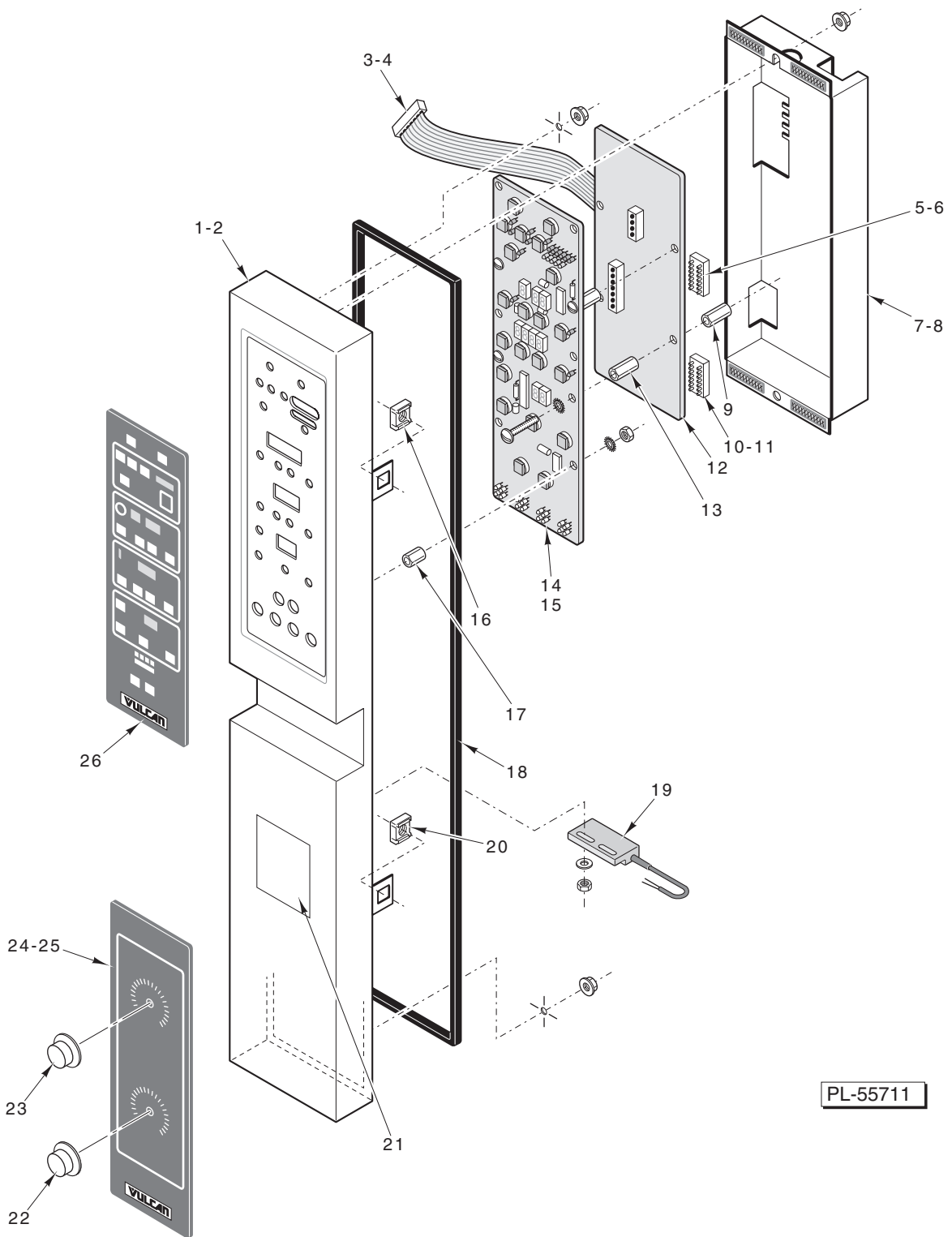


PL-55717

**ELECTRONIC CONTROLS  
(10 LEVEL)**

**ELECTRONIC CONTROLS  
(10 LEVEL)**

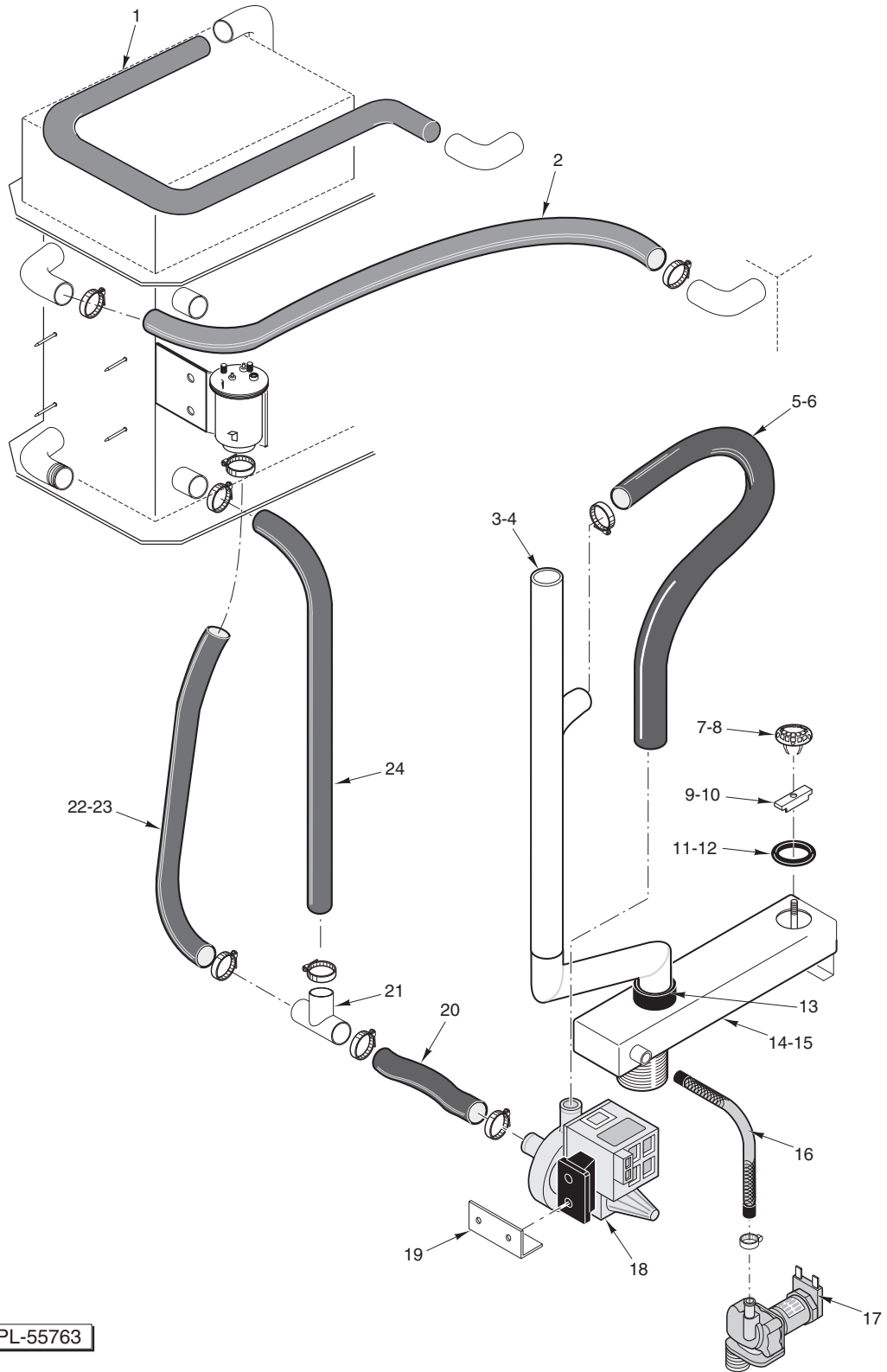
ILLUS. PL-55717	PART NO.	NAME OF PART	AMT.
1	00-480967-00001	Panel – Control (Programmable) .....	1
2	00-855208-00001	Panel – Control (Manual) .....	1
3	00-845131-00001	Cable – Harness .....	1
4	00-492988-00002	Board – Principle Control .....	1
5	00-844982	Cover – Control Board (Programmable) .....	1
6	00-855209-00001	Cover – Control Board (Manual) .....	1
7	00-845419	Battery Backup (Programmable) .....	1
8	00-845486	Battery Backup (Manual Controls) .....	1
9	00-845132-00022	EPROM (Ver. 439, Programmable) .....	1
10	00-845132-00025	EPROM (Ver. XYZ, Manual Controls) .....	1
11	00-844993-00003	Standoff .....	1
12	00-845433-00001	Board – Keypad & CPU (Manual Controls) .....	1
13	00-844945-00002	Board – Keypad (Programmable) .....	1
14	00-845106	Spacer .....	1
15	00-492472	Gasket – Front Panel .....	2
16	00-845051	Bracket – Switch .....	1
17	00-844951-00001	Switch – Door Interlock .....	1
18	00-845102	Window .....	1
19	00-853155-00001	Knob – Manual (W/O Indicator Line) .....	1
20	00-853154-00001	Knob – Manual (W/Indicator Line) .....	1
21	00-854450-00001	Overlay (Deluxe Manual) .....	1
22	00-854451-00001	Overlay (Standard Manual) .....	1
23	00-854452-00001	Overlay (Programmable) .....	1



**ELECTRONIC CONTROLS  
(20 LEVEL)**

**ELECTRONIC CONTROLS  
(20 LEVEL)**

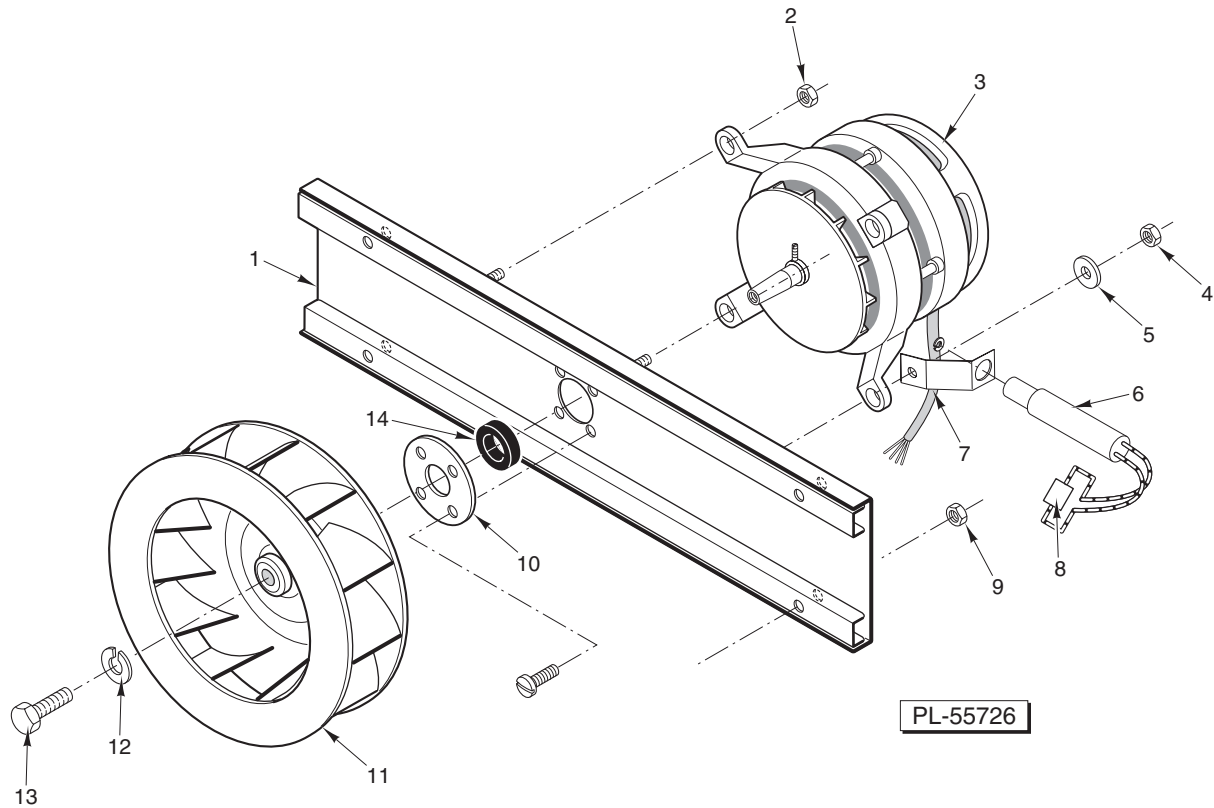
ILLUS. PL-55711	PART NO.	NAME OF PART	AMT.
1	00-480967-00002	Control – Panel (Programmable) .....	1
2	00-855211-00001	Control – Panel (Manual Control) .....	1
3	00-845131-00001	Ribbon Cable (Half Rack) .....	1
4	00-845190-00001	Ribbon Cable (Full Rack) .....	1
5	00-845419	Battery Backup (Programmable) .....	1
6	00-845486	Battery Backup (Manual) .....	1
7	00-844982	Cover – Control Board (Programmable) .....	1
8	00-855209-00001	Cover – Control Board (Manual) .....	1
9	00-844993-00003	Standoff .....	4
10	00-845132-00022	EPROM (Ver. 439, Programmable) .....	1
11	00-845132-00026	EPROM (Ver. DB9, Manual) .....	1
12	00-492988-00003	Board – Principle Control .....	1
13	00-844993-00002	Standoff .....	4
14	00-844945-00002	Keypad – Control Board (Programmable) .....	1
15	00-845433-00001	Keypad & CPU Board (Manual Controls) .....	1
16	00-149926-00005	Bracket .....	1
17	00-844993-00001	Standoff .....	4
18	00-492198	Gasket – Front Panel .....	1
19	00-844951-00001	Switch – Reed Interlock .....	1
20	00-149926-00001	Bracket .....	1
21	00-845102	Overlay – Boiler Window .....	1
22	00-853155-00001	Knob – Manual (W/O Line) .....	1
23	00-853154-00001	Knob – Manual (W/Line) .....	1
24	00-854450-00001	Overlay (Deluxe Manual) .....	1
25	00-854451-00001	Overlay (Standard Manual) .....	1
26	00-854452-00001	Overlay (Programmable) .....	1



**PIPEWORK AND DRAIN**

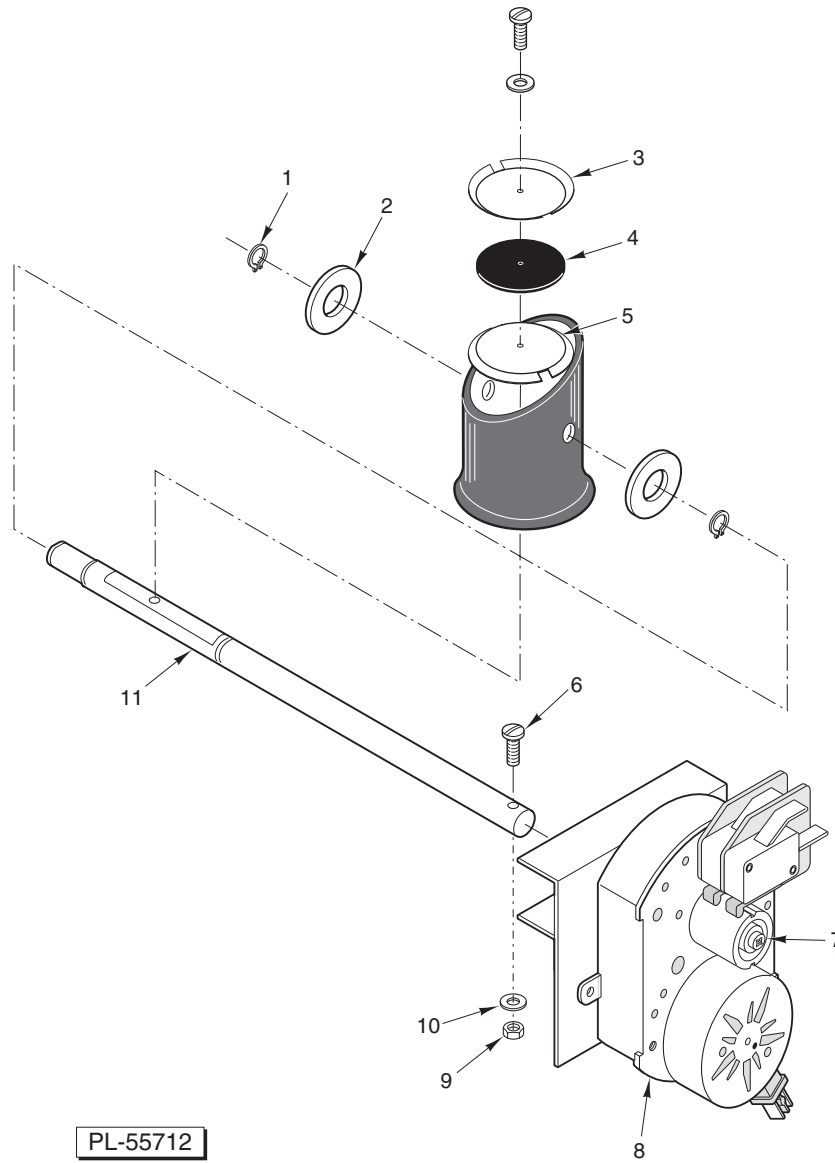
**PIPEWORK AND DRAIN**

ILLUS. PL-55763	PART NO.	NAME OF PART	AMT.
1	00-844670-00002	Tube (Full Size Only) .....	1
2	00-844670-00002	Tube .....	1
3	00-480253-00001	Vent – Drain Tube (10 Half) .....	1
4	00-480253-00002	Vent – Drain Tube (10 Full) .....	1
5	00-492114-00017	Tube (10 Half & 20 Half) .....	1
6	00-492114-00018	Tube (10 Full) .....	1
7	00-493542	Strainer (Half) .....	1
8	00-493543	Strainer (Full) .....	1
9	00-493544	Bracket – Cavity Drain (Half) .....	1
10	00-493545	Bracket – Cavity Drain (Full) .....	1
11	00-233982-00006	O-Ring (Half) .....	1
12	00-233982-00007	O-Ring (Full) .....	1
13	00-845457-00001	Drain – Coupling .....	1
14	00-845454-00001	Drain Weldment (10 Half/20 Half) .....	1
15	00-845454-00002	Drain Weldment (10 Full) .....	1
16	00-492117-00004	Hose .....	1
17	00-845447-00001	Drain Solenoid .....	1
18	00-845455-00001	Pump – Boiler Drain .....	1
19	00-845089	Bracket – Drain Pump .....	1
20	00-844670-00011	Tube .....	1
21	00-844716	Tee (25 mm) .....	1
22	00-844670-00014	Tube (Half) .....	1
23	00-844670-00004	Tube .....	1
24	00-844670-00004	Tube .....	1



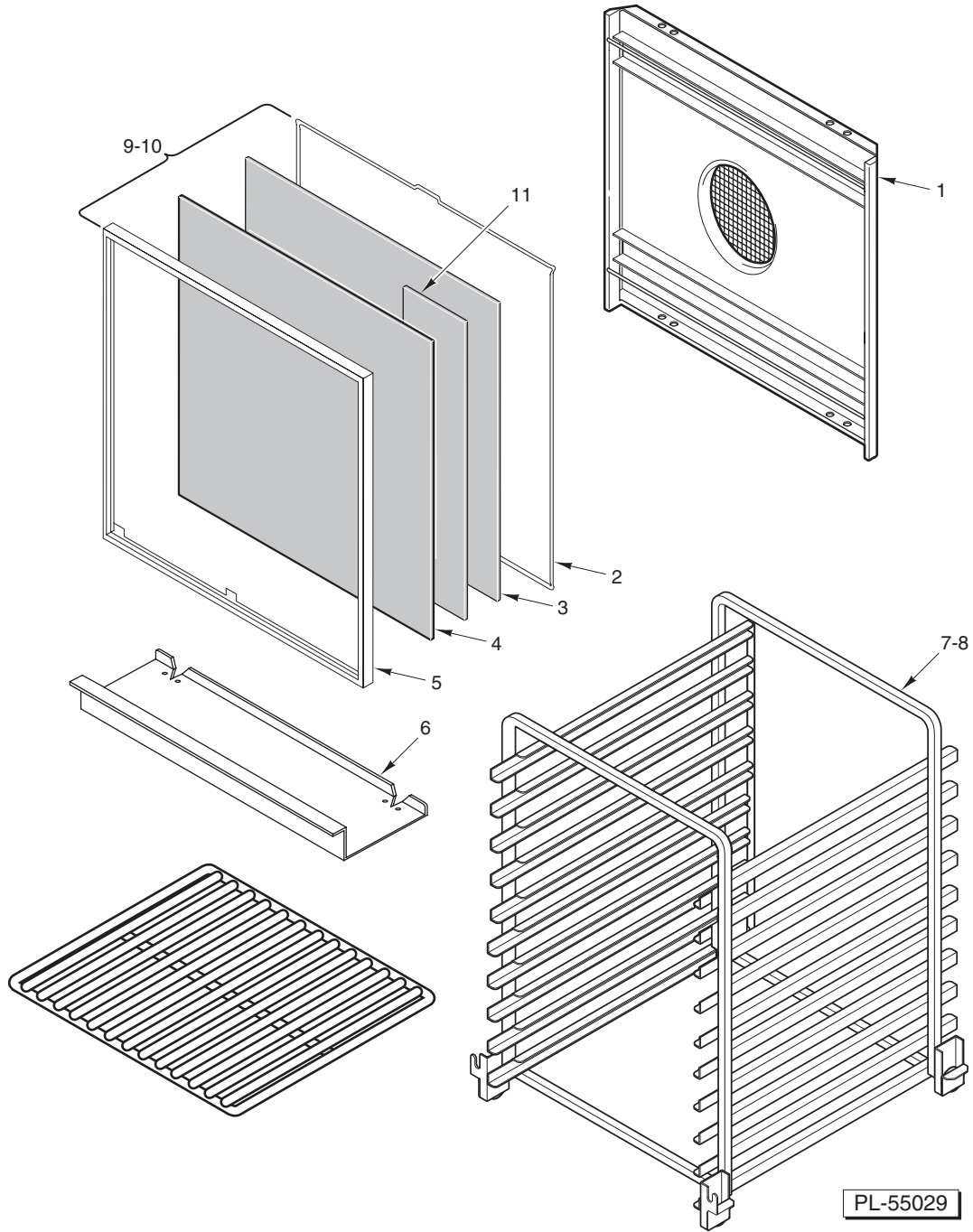
**VENTILATION UNIT 1**

ILLUS.	PART NO.	NAME OF PART	AMT.
PL-55726			
1	00-491969	Bracket – Motor Mounting .....	1
2	00-602491	Nut .....	1
3	00-844955-00001	Motor .....	1
4	00-602491	Nut .....	1
5	00-149940-00024	Washer .....	1
6	00-845388	Capacitor – 8 $\mu$ F .....	1
7	00-844984	Bracket – Capacitor .....	1
8	00-480250	Resistor – 470K .....	1
9	00-602491	Nut .....	1
10	00-492108	Cover – Convection Fan Seal .....	1
11	00-233978-00002	Air Rotor – Convection .....	1
12	00-602259	Lockwasher .....	1
13	00-602586	Screw .....	1
14	00-322190-00001	Seal – Convection .....	1



**CAVITY VENT**

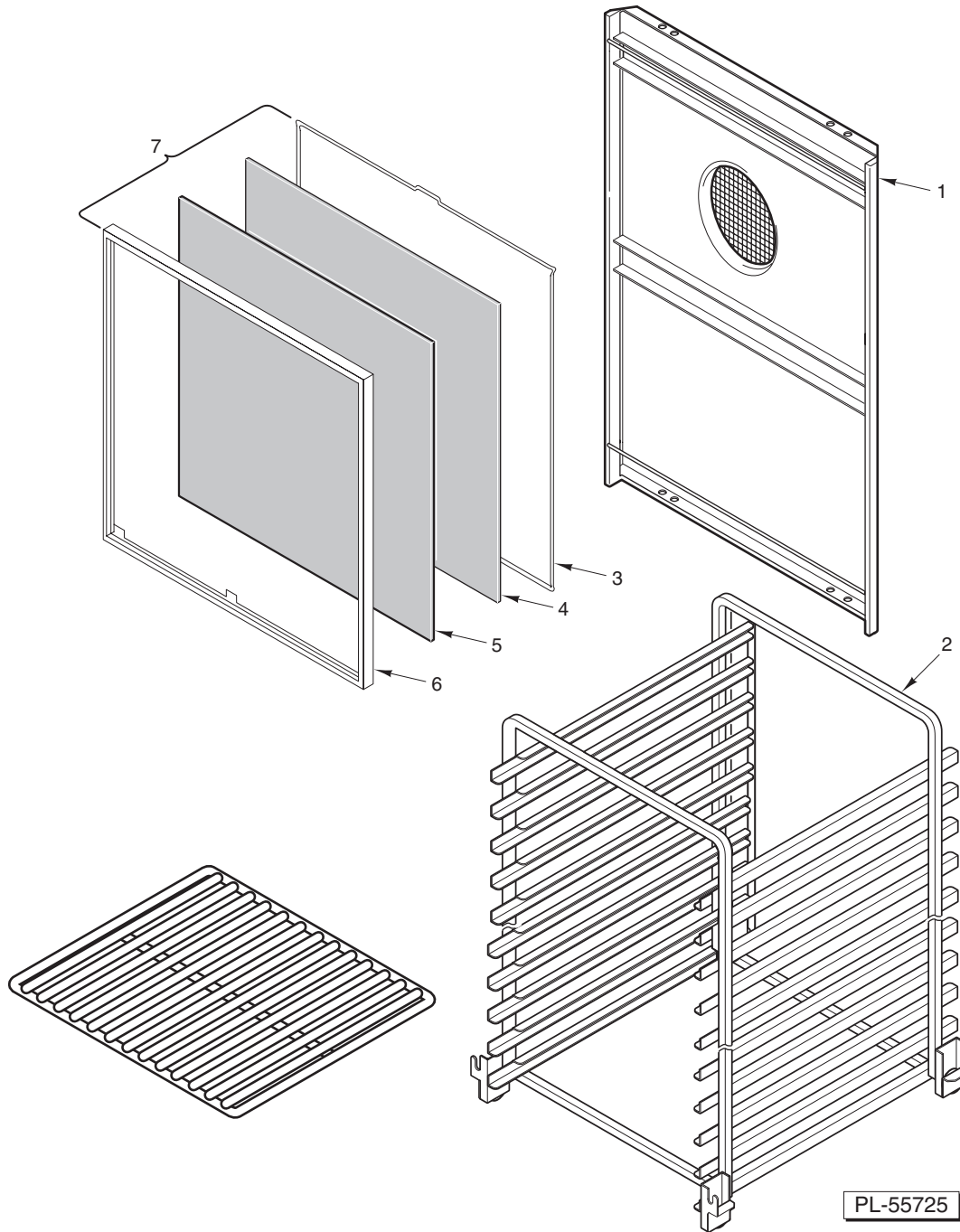
ILLUS.	PART NO.	NAME OF PART	AMT.
PL-55712			
1	RR-006-17	Retaining Ring ("C" CLIP) (SST) .....	2
2	00-494120	Washer .....	2
3	00-845218	Shutter – Top .....	1
4	00-844617	Disc .....	1
5	00-845218	Shutter – Bottom .....	1
6	SC-200-17	Cap Screw M4 x 0.7 x 12 mm Soc. Hex Hd. ....	1
7	00-322064	Cam .....	2
8	00-845371	Motor – Cavity Vent .....	1
9	NS-048-82	Jam Nut M4 x 0.7 Hex (SST) .....	1
10	WS-004-18	Washer .....	1
11	00-844616	Shaft (300 mm Lg.) .....	1



**FILTER AND CARRIAGE  
(10 LEVEL)**

**FILTER AND CARRIAGE  
(10 LEVEL)**

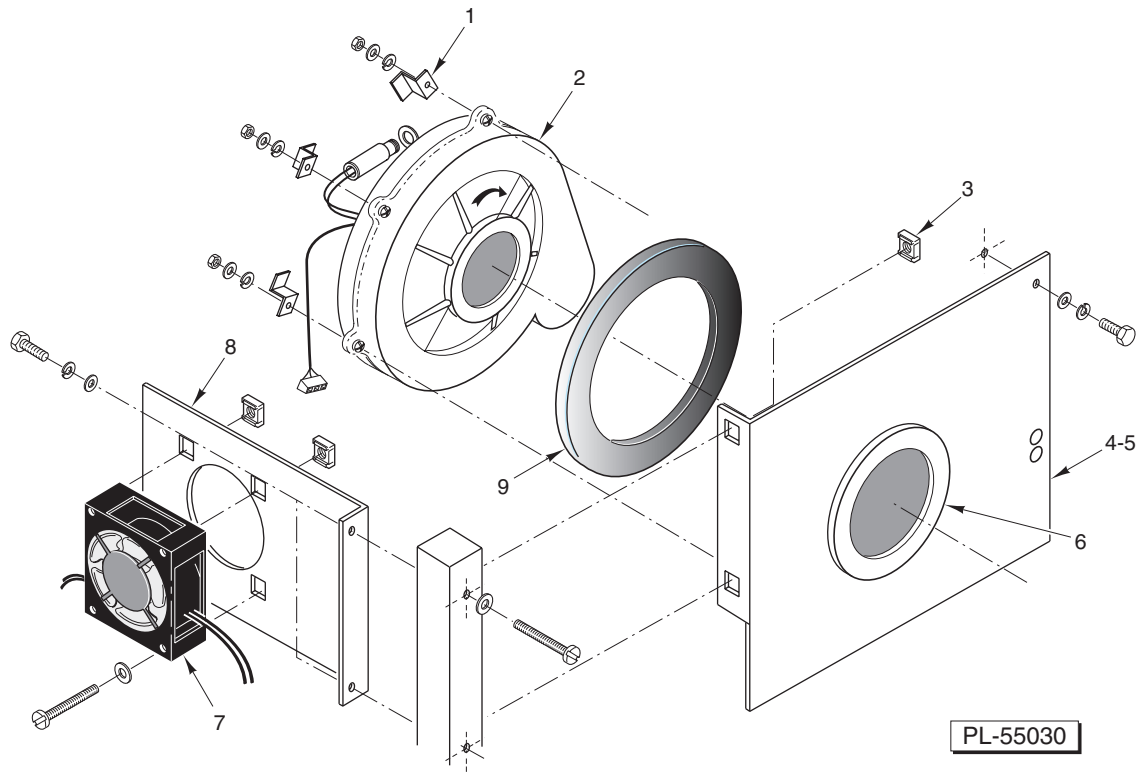
ILLUS. PL-55029	PART NO.	NAME OF PART	AMT.
1	00-844660	Baffle – Fan .....	1
2	00-844664	Gasket .....	1
3	00-844663	Filter .....	1
4	00-844662	Screen .....	1
5	00-844661	Retainer .....	1
6	00-492784	Plate .....	1
7	00-845128-00002	Insert – Rack (Full Size) .....	1
8	00-845128-00001	Insert – Rack (Half Size) .....	1
9	00-845437-00001	Filter Assy. (10 Full) .....	1
10	00-845180-00002	Filter Assy. (10 Half) .....	1
11	00-844662	Screen 1/3 (Full Size Only) .....	1



**FILTER AND CARRIAGE  
(20 LEVEL)**

**FILTER AND CARRIAGE  
(20 LEVEL)**

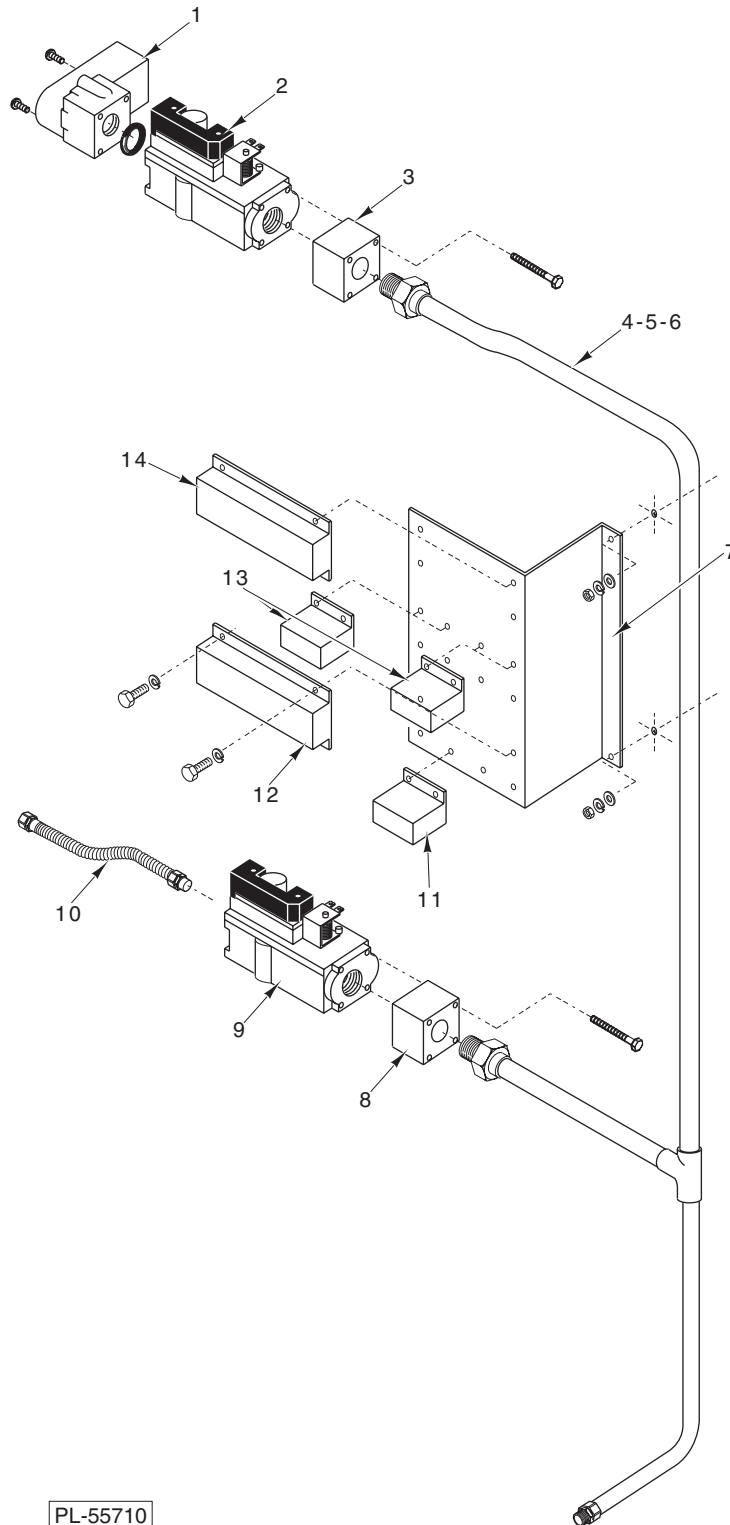
ILLUS.	PART NO.	NAME OF PART	AMT.
PL-55725			
1	00-844659	Baffle – Fan .....	1
2	00-845181-00001	Insert – Rack (20 Level) .....	1
3	00-844664	Gasket .....	2
4	00-844663	Filter .....	2
5	00-844662	Screen .....	4
6	00-844661	Retainer .....	2
7	00-844667	Filter Assy. (20 Level) .....	2



**VENTILATION UNIT 2**

VENTILATION UNIT 2

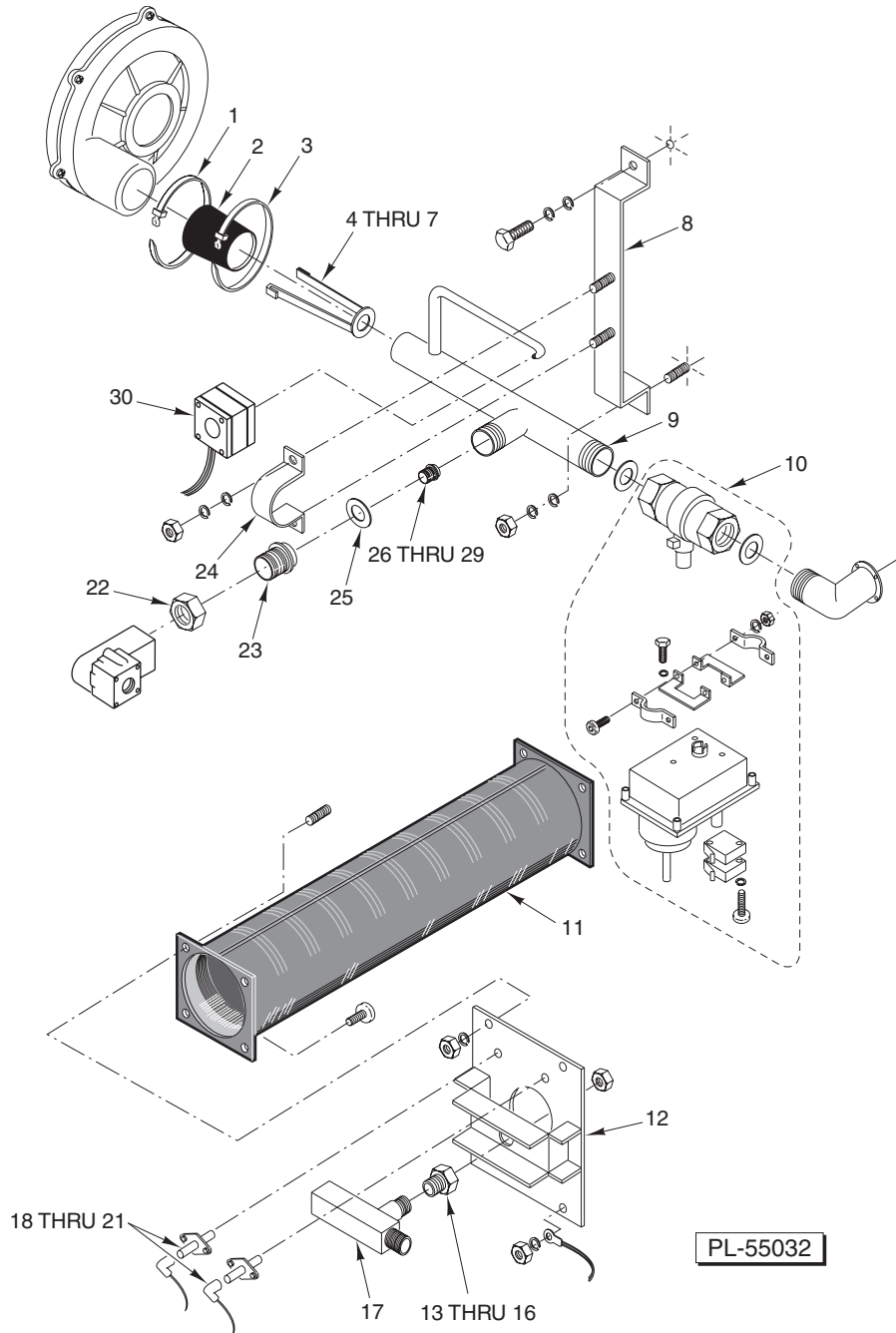
ILLUS.	PART NO.	NAME OF PART	AMT.
PL-55030			
1	00-845430	Bracket – Blower Support .....	3
2	00-845074	Blower – With Capacitor .....	1
3	00-149926-00002	Fastener Assy. ....	6
4	00-844621	Support – Blower (Half Size) .....	1
5	00-845125	Support – Blower (Full Size) .....	1
6	00-492183	Grommet 3 In. Vent Tube .....	1
7	00-492994	Fan – Compartment Cooling .....	1
8	00-844619	Support – Fan .....	1
9	00-844620	Gasket (304 Lg. x 650 mm) .....	1



**GAS CONNECTION**

**GAS CONNECTION**

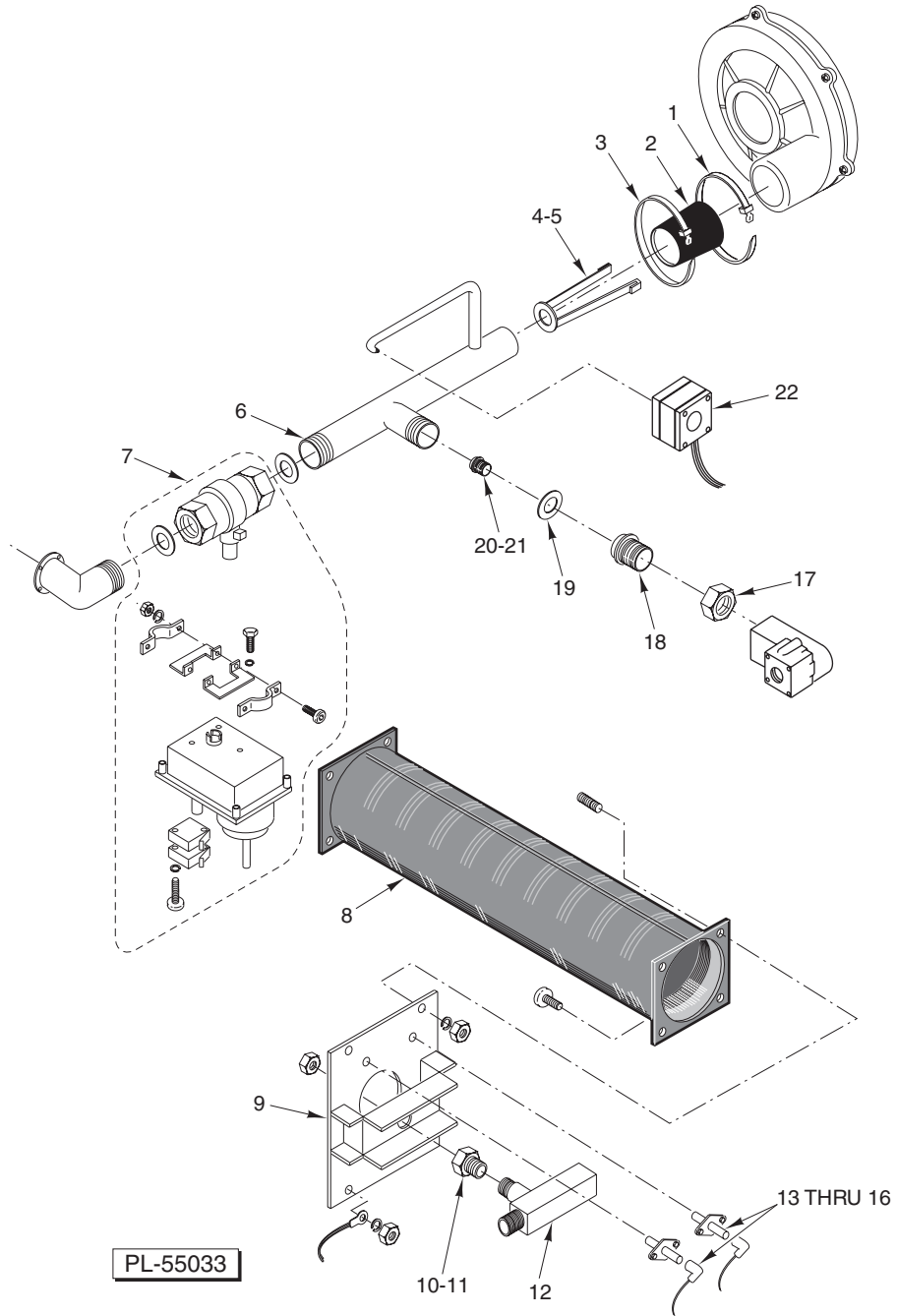
ILLUS.	PART NO.	NAME OF PART	AMT.
PL-55710			
1	00-845075	Valve – Gas Connection 90 Deg. ....	1
2	00-845076	Valve – Gas Connection .....	1
3	00-845077	Valve – Gas Connection .....	1
4	00-480267-00001	Manifold (10 Half) .....	1
5	00-480267-00002	Manifold (10 Full) .....	1
6	00-480267-00003	Manifold (20 Half) .....	1
7	00-480266	Support – Transformer & Ignition Module .....	1
8	00-845077	Valve – Gas Connection .....	1
9	00-845076	Valve – Gas Connection .....	1
10	00-845078-00001	Line – Connection (Flexible Gas Line, 165 mm) .....	1
11	00-480300	Transformer (240/12) .....	1
12	00-845079-00002	Module – Ignition (4 Sec.) Boiler .....	1
13	00-480299	Transformer (240/24) .....	2
14	00-845079-00001	Module – Ignition (6 Sec.) Cavity .....	1



**GAS COMPONENTS  
(10 HALF & 20 HALF)**

## GAS COMPONENTS (10 HALF & 20 HALF)

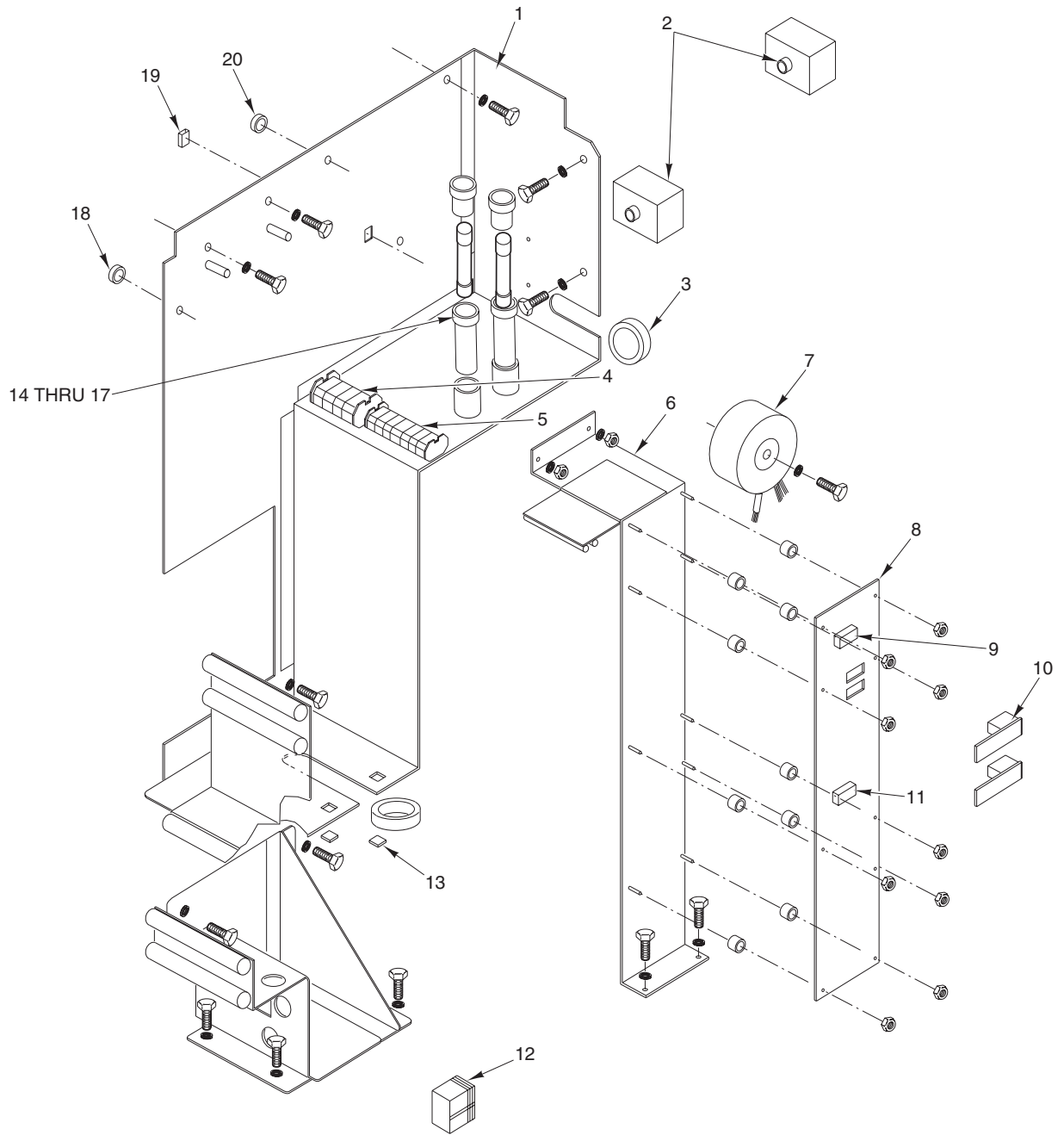
ILLUS. PL-55032	PART NO.	NAME OF PART	AMT.
1	00-492121	Plastic Tie .....	1
2	00-844671	Sleeve – Tube .....	1
3	00-492121	Plastic Tie .....	1
4	00-844634	Orifice – Conv Air (18 mm) Natural (20 Half) .....	1
5	00-845159	Orifice – Conv Air (16 mm) Propane (20 Half) .....	1
6	00-845083	Orifice – Conv Air (17 mm) Natural (10 Half) .....	1
7	00-844634	Orifice – Conv Air (18 mm) Propane (10 Half) .....	1
8	00-844637	Bracket – A/G Manifold .....	1
9	00-845085	Manifold – Conv Gas/Air .....	1
10	00-492992	Valve – Motorized .....	1
11	00-844815	Burner – Boiler .....	1
12	00-844821-00001	Diaphragm – (50 mm Dia. Boiler) (10 Half & 20 Half) .....	1
13	00-844817-00004	Injector – Boiler (3.7 mm) Natural (20 Half) .....	1
14	00-844817-00003	Injector – Boiler (2.2 mm) Propane (20 Half) .....	1
15	00-844817-00006	Injector – Boiler (3.0 mm) Natural (10 Half) .....	1
16	00-844817-00007	Injector – Boiler (1.95 mm) Propane (10 Half) .....	1
17	00-844912	Support – Boiler Injector .....	1
18	00-844812	Electrode – Boiler Flame Igniter .....	1
19	00-844813	Electrode – Boiler Flame Sensor .....	1
20	00-845100-00002	Cable – Flame Sensor .....	1
21	00-845100-00001	Cable – Flame Igniter .....	1
22	00-844901	Hex Nut – Union .....	1
23	00-845086	Support – Injector .....	1
24	00-844640	Support – Manifold .....	1
25	00-844802	Gasket – Fiber 22/30 .....	1
26	00-844816-00006	Injector – Conical (4.1 mm) Natural (20 Half) .....	1
27	00-844816-00003	Injector – Conical (2.6 mm) Propane (20 Half) .....	1
28	00-844816-00002	Injector – Conical (3.9 mm) Natural (10 Half) .....	1
29	00-844816-00007	Injector – Conical (2.45 mm) Propane (10 Half) .....	1
30	00-845084	Switch – Air Pressure Safety .....	1



**GAS COMPONENTS  
(10 FULL)**

**GAS COMPONENTS  
(10 FULL)**

ILLUS. PL-55033	PART NO.	NAME OF PART	AMT.
1	00-492121	Plastic Tie .....	1
2	00-844671	Sleeve – Tube .....	1
3	00-492121	Plastic Tie .....	1
4	00-844634	Orifice – Conv Air (18 mm) Propane .....	1
5	00-845635	Orifice – Conv Air (19 mm) Natural .....	1
6	00-845183	Manifold – Gas/Air Conv (10 FG) .....	1
7	00-492992	Valve – Motorized .....	1
8	00-844815	Burner – Boiler .....	1
9	00-844821-00003	Diaphragm – (52 mm Dia. Boiler) .....	1
10	00-844817-00008	Injector – Boiler (S17 x 3.25) Natural .....	1
11	00-844817-00009	Injector – Boiler (S17 x 2.05) Propane .....	1
12	00-844912	Support – Boiler Injector .....	1
13	00-844812	Electrode – Boiler Flame Igniter .....	1
14	00-845100-00001	Cable – Flame Igniter .....	1
15	00-845100-00002	Cable – Flame Sensor .....	1
16	00-844813	Electrode – Boiler Flame Sensor .....	1
17	00-844901	Hex Nut – Union .....	1
18	00-845086	Support – Injector .....	1
19	00-844802	Gasket – Fiber 22/30 .....	1
20	00-844816-00008	Injector – Conical 4.4 Dia. ....	1
21	00-844816-00003	Injector – Conical 2.6 Dia. ....	1
22	00-845084	Switch – Air Pressure Safety .....	1

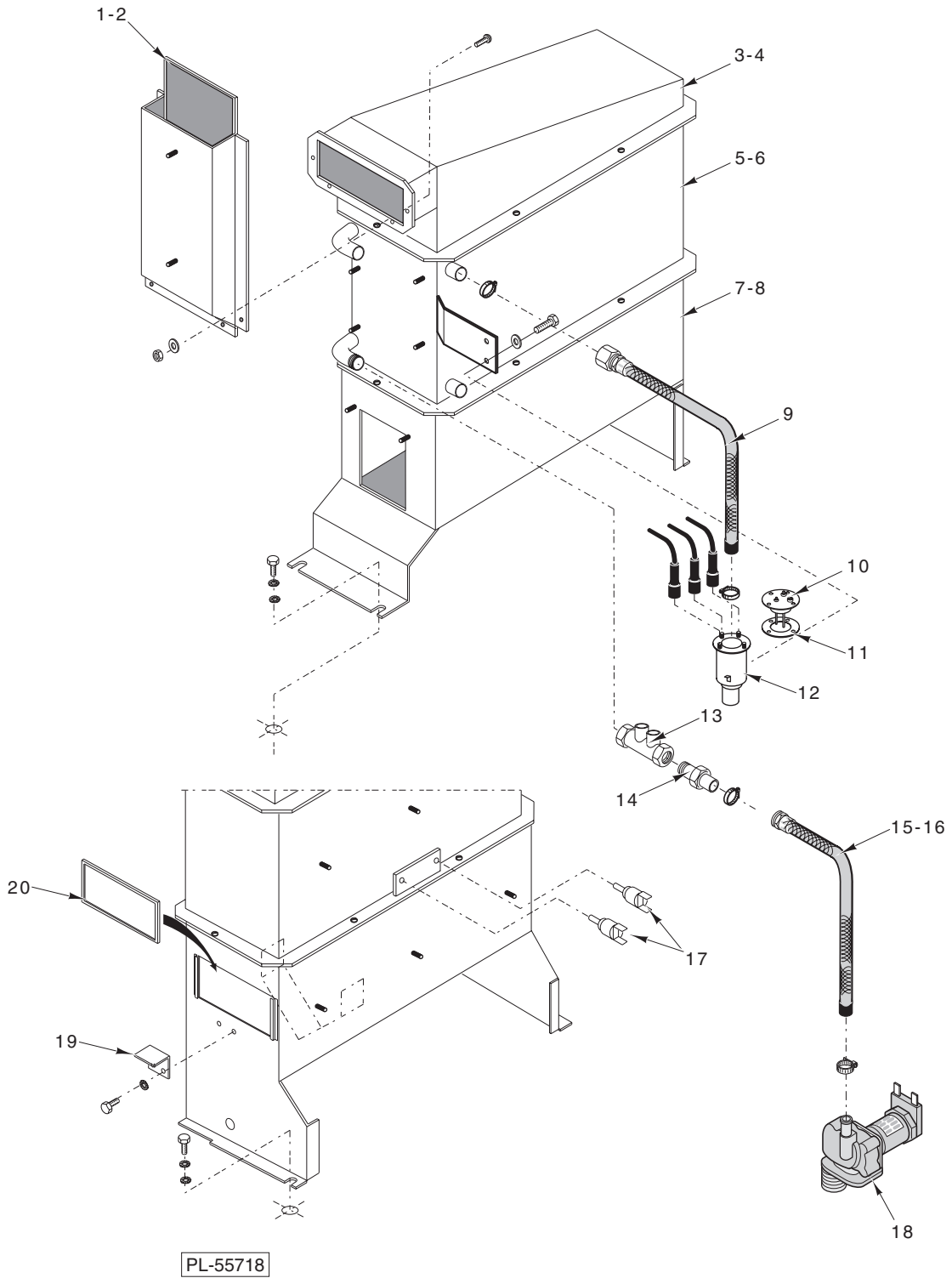


PL-55727

**ELECTRICAL COMPONENT PANEL**

## ELECTRICAL COMPONENT PANEL

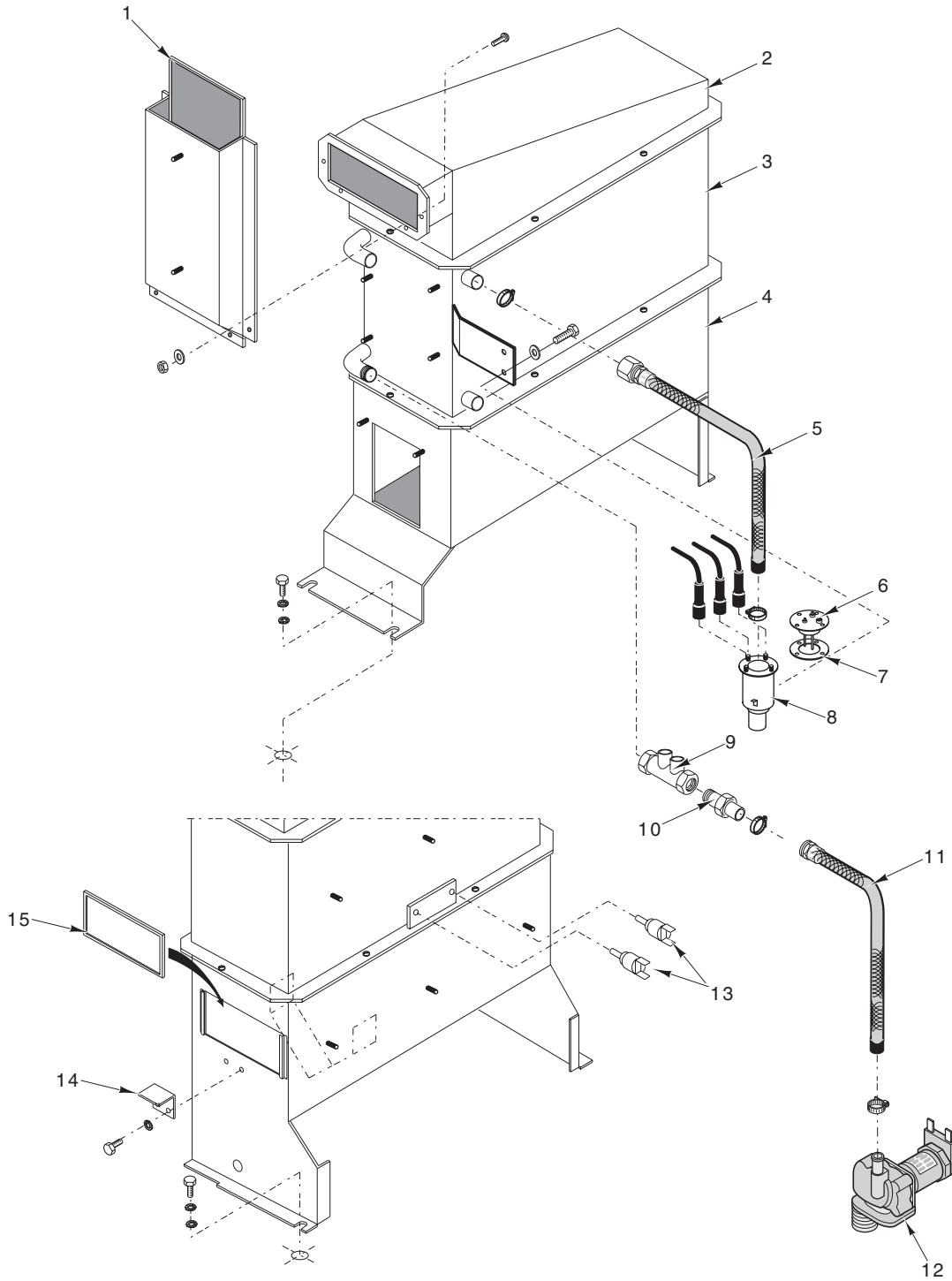
ILLUS.	PART NO.	NAME OF PART	AMT.
PL-55727			
1	00-480269	Support – Components .....	1
2	00-154344	Thermostat – High Limit .....	2
3	00-150443-00044	Bushing Nylon – 20 mm I.D. ....	2
4	00-844629-00002	Terminal Block – 8 Connection Points .....	1
5	00-844629-00001	Terminal Block – 10 Connection Points .....	1
6	00-480058-00002	Bracket – Main Control Board Support .....	1
7	00-845096	Transformer – Stepdown Round .....	1
8	00-492986	Board – Gas – Relay .....	1
9	00-845409-00001	Fuse (0.25 Amp./250 V.) .....	1
10	00-845097	Board – Flame Sense Circuit .....	1
11	00-845409-00001	Fuse (2 Amp./250 V.) .....	1
12	00-844629-00006	Terminal Block 4 Pts. (1N 2 Ph. 1G) .....	1
13	00-149926-00005	Nut – 4 mm 8.3 x 8.3 Cutout .....	1
14	00-844690	Housing – Fuse Holder Support .....	2
15	00-844687	Fuse Holder .....	2
16	00-845099-00002	Fuse (6.3 Amp./250 V.) .....	2
17	00-844688	Plug – Fuse Holder .....	2
18	00-492189	Grommet .....	1
19	00-149926-00004	Nut – 10 mm 12.3 x 12.3 Cutout .....	1
20	00-492190	Bushing Nylon – 10 mm I.D. ....	1



**BOOSTER HEATER  
(GAS)**

**BOOSTER HEATER  
(GAS)**

ILLUS.	PART NO.	NAME OF PART	AMT.
PL-55718			
1	00-845129	Flue – Verticle (10FG).....	1
2	00-844905	Flue – Verticle (10HG).....	1
3	00-844642	Flue – Horizontal (10HG).....	1
4	00-844643	Flue – Horizontal (10FG).....	1
5	00-844644	Boiler (10HG).....	1
6	00-844645	Boiler.....	1
7	00-844911	Chamber – Combustion (10HG).....	1
8	00-844910	Chamber – Combustion (10FG).....	1
9	00-845163-00001	Tube (1 <sup>2</sup> / <sub>16</sub> x 600 Lg.).....	1
10	00-844814	Top – Cannister.....	1
11	00-233982-00001	O-Ring – Boiler Heater Seal.....	1
12	00-845301	Housing – Low Panel Control.....	1
13	00-492999	Valve – Check.....	1
14	00-844678	Fitting – Hose.....	1
15	00-492117-00007	Tube (10-14 x 400 Lg.) (10FG).....	1
16	00-492117-00001	Tube (10-14 x 300 Lg.) (10HG).....	1
17	00-844811	Thermostat – High Limit Boiler.....	2
18	00-845447-00003	Valve – Water Inlet Gas.....	1
19	00-844649	Bracket – View Window.....	1
20	00-844677	Glass (120 x 40 x 4 mm).....	1

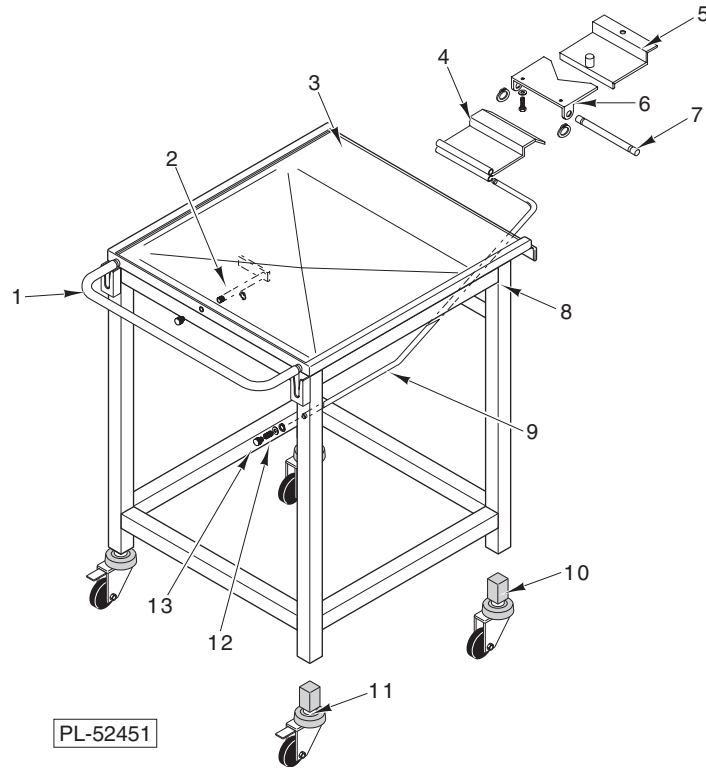


PL-55708

**BOOSTER HEATER  
(GAS) (20 LEVEL)**

**BOOSTER HEATER  
(GAS) (20 LEVEL)**

ILLUS. PL-55708	PART NO.	NAME OF PART	AMT.
1	00-844641	Flue – Vertical (20H) .....	1
2	00-844643	Flue – Horizontal (10FG) .....	1
3	00-844645	Boiler (10FG) .....	1
4	00-844910	Chamber – Combustion (10FG) .....	1
5	00-845163-00001	Tube (12/16 x 600L) .....	1
6	00-844814	Top – Cannister .....	1
7	00-233982-00001	O-Ring – Boiler Heater Seal .....	1
8	00-845301	Housing – Low Panel Control .....	1
9	00-492999	Valve – Check .....	1
10	00-844678	Fitting – Hose .....	1
11	00-492117-00007	Tube (10-14 400 Lg.) (10FG) .....	1
12	00-845447-00003	Valve – Water Inlet .....	1
13	00-844811	Thermostat – High Limit Boiler .....	2
14	00-844649	Bracket – View Window .....	1
15	00-844677	Glass (120 x 40 x 4 mm) .....	1



**TABLE AND TROLLEY ASSEMBLY**

ILLUS.	PART NO.	NAME OF PART	AMT.
PL-52451			
1	00-322388	Handle .....	1
2	00-845308	Axle Weldment .....	1
3	00-845309	Top – Table .....	1
4	00-845305	Bracket .....	1
5	00-845307	Bracket – Location .....	1
6	00-845303	Bracket – Table Top .....	1
7	00-845306	Axle .....	1
8	00-845302	Frame .....	1
9	00-845304	Rod – Handle .....	1
10	00-322228-00003	Caster .....	2
11	00-322228-00004	Caster W/Brake .....	2
12	00-845325-00001	Spring .....	1
13	00-845324	Screw – Handle .....	1