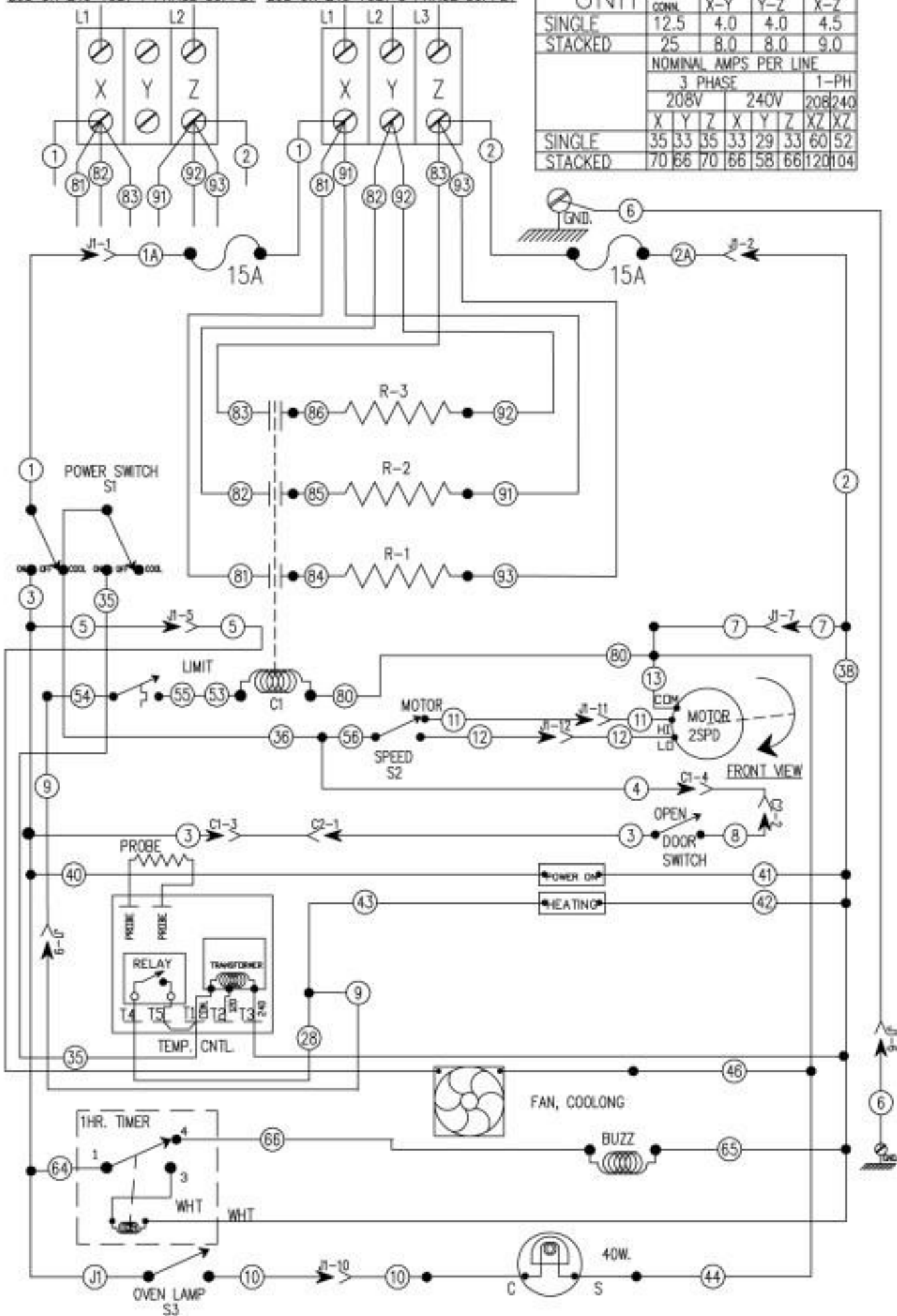


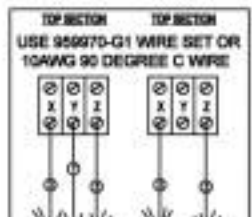
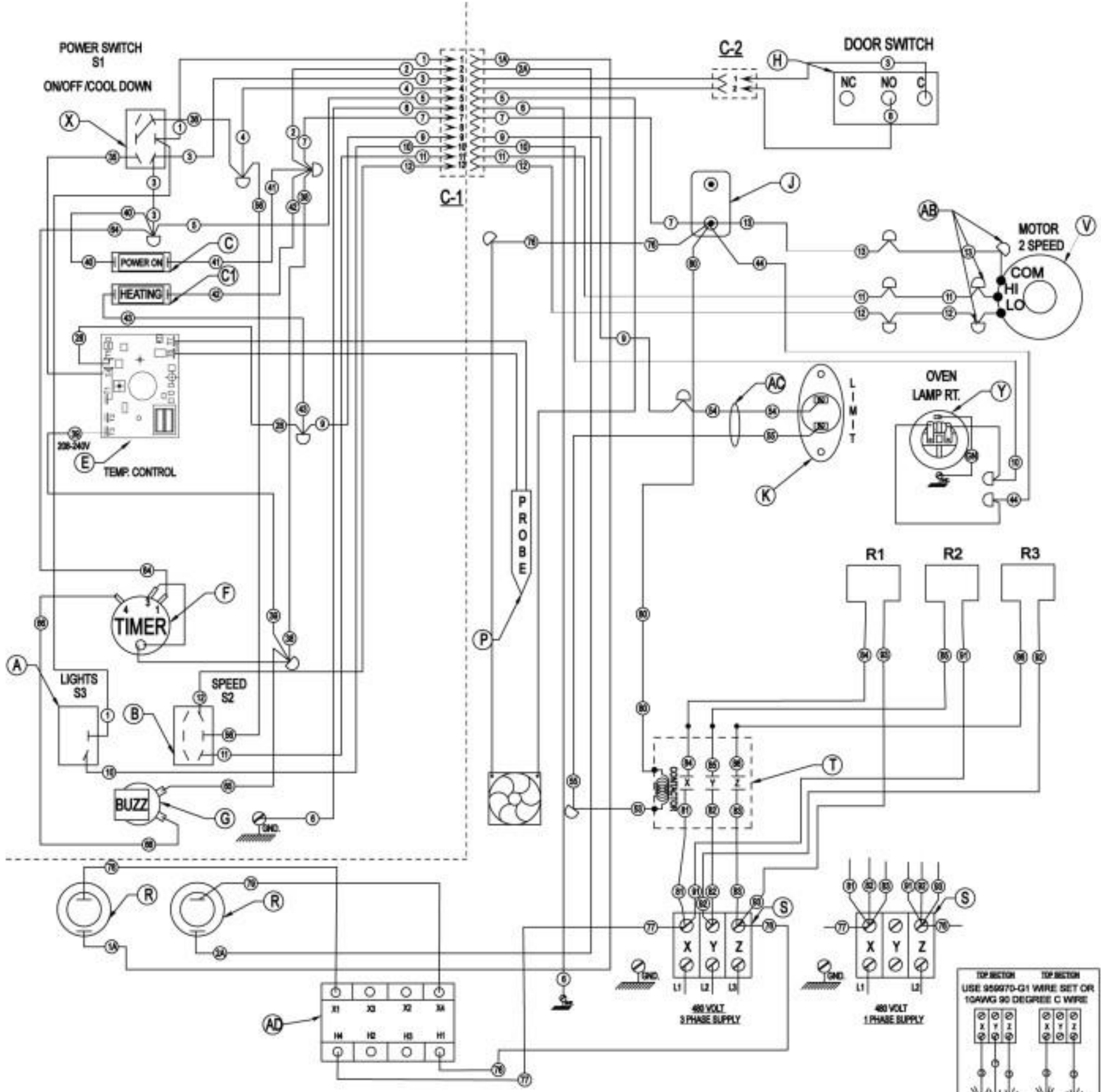
VC3ED X 208-240V.

USE FIELD WIRE SUITABLE FOR 90°C.

208 OR 240 VOLT 1 PHASE SUPPLY 208 OR 240 VOLT 3 PHASE SUPPLY

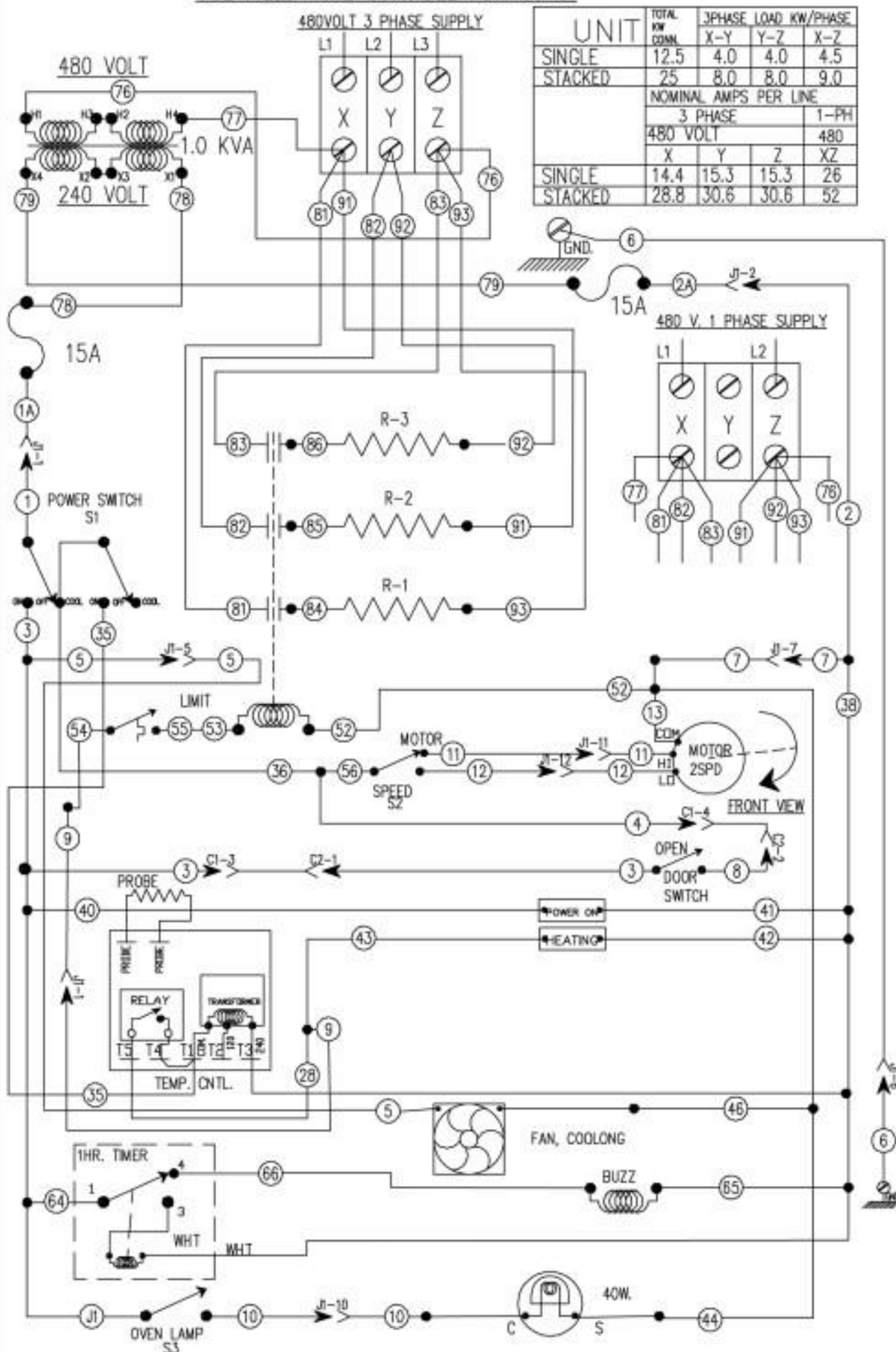
| UNIT | TOTAL KW CONNL. | 3PHASE LOAD KW/PHASE | | | |
|---------|-----------------|-----------------------|------|-----|---------|
| | | X-Y | Y-Z | X-Z | |
| SINGLE | 12.5 | 4.0 | 4.0 | 4.5 | |
| STACKED | 25 | 8.0 | 8.0 | 9.0 | |
| | | NOMINAL AMPS PER LINE | | | |
| | | 3 PHASE | | | 1-PH |
| | | 208V | 240V | | 208/240 |
| | | X | Y | Z | XZ XZ |
| SINGLE | 35 | 33 | 35 | 33 | 29 |
| STACKED | 70 | 66 | 70 | 66 | 58 |





VC3ED X 480V.

USE FIELD WIRE SUITABLE FOR 90°C.



| UNIT | TOTAL KW CONN. | 3PHASE LOAD KW/PHASE | | |
|-----------------------|----------------|----------------------|------|------|
| | | X-Y | Y-Z | X-Z |
| SINGLE | 12.5 | 4.0 | 4.0 | 4.5 |
| STACKED | 25 | 8.0 | 8.0 | 9.0 |
| NOMINAL AMPS PER LINE | | | | |
| 3 PHASE | | | | 1-PH |
| 480 VOLT | | | | 480 |
| | X | Y | Z | XZ |
| SINGLE | 14.4 | 15.3 | 15.3 | 26 |
| STACKED | 28.8 | 30.6 | 30.6 | 52 |