



CATALOG OF REPLACEMENT PARTS



V SERIES HOLDING CABINETS

VBP5

VBP7

VBP13

VBP15

VBP18

VHP7

VHP15

VPT7

VPT13

VPT15

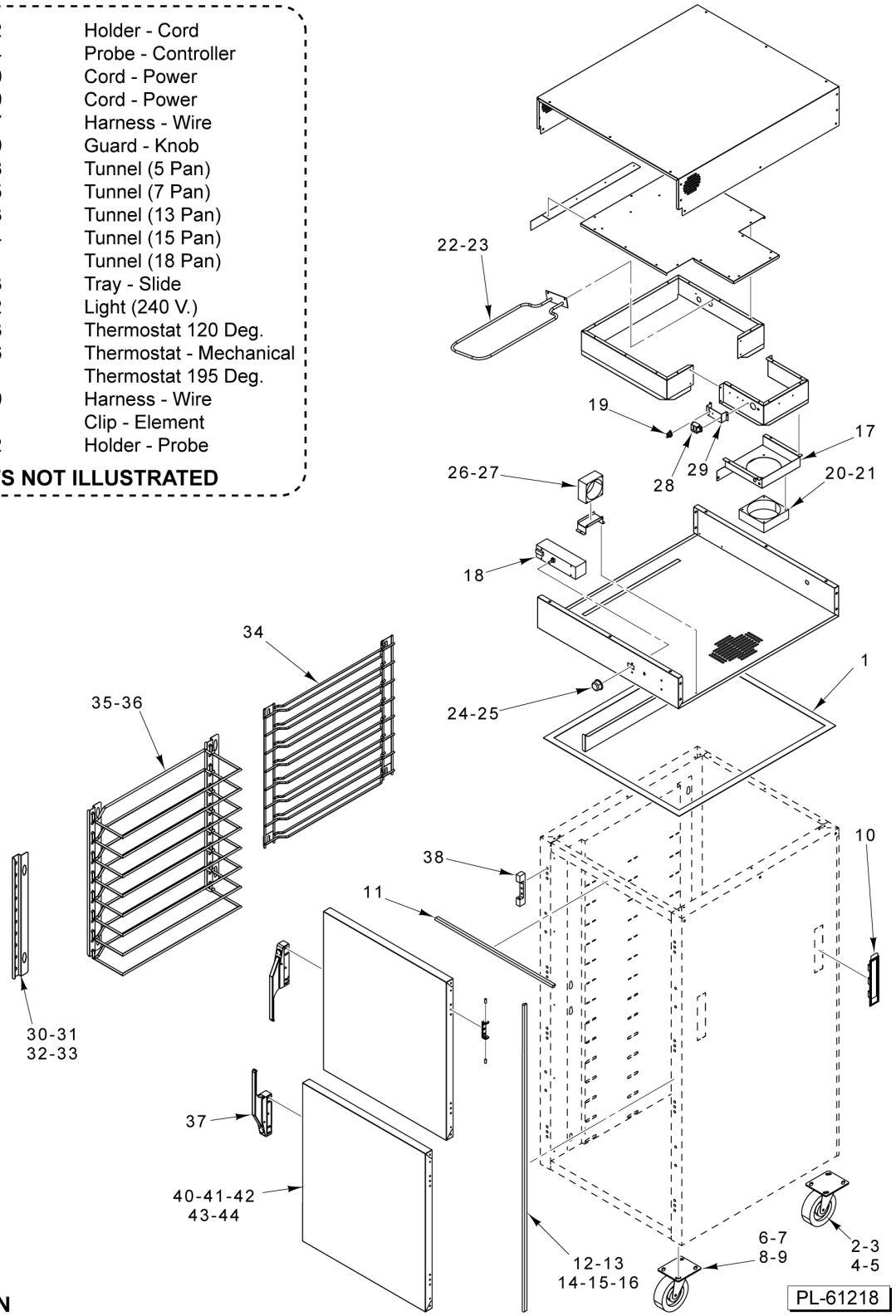
VPT18

Table of Contents

5 CABINET (VBP/VHP/VPT)

45	00-960532	Holder - Cord
46	00-960904	Probe - Controller
47	00-961640	Cord - Power
48	00-960539	Cord - Power
49	00-960797	Harness - Wire
50	00-961459	Guard - Knob
51	00-960938	Tunnel (5 Pan)
52	00-961205	Tunnel (7 Pan)
53	00-961083	Tunnel (13 Pan)
54	00-960944	Tunnel (15 Pan)
55	00-961174	Tunnel (18 Pan)
56	00-960753	Tray - Slide
57	00-960672	Light (240 V.)
58	00-960743	Thermostat 120 Deg.
59	00-960736	Thermostat - Mechanical
60	00-960741	Thermostat 195 Deg.
61	00-960799	Harness - Wire
62	00-961113	Clip - Element
63	00-961372	Holder - Probe

PARTS NOT ILLUSTRATED



VBP15 SHOWN

CABINET (VBP/VHP/VPT)

CABINET (VBP/VHP/VPT)

ILLUS.	PART NO.	NAME OF PART	AMT.
1	00-961263	Gasket - Top Gasket - Top.....	AR
2	00-497001-00003	Caster W/O Brake, Rigid (5 In.) (7/13/15/18 Pan) (Starting 2019).....	2
3	00-960519	Caster W/O Brake, Rigid (5 In.) (7/13/15/18 Pan) (Before 2019).....	2
4	00-961974	Caster 3 In. Caster W/O Brake, Rigid (3 In.) (5 Pan) (Starting 2019).....	2
5	00-960514	Caster W/O Brake, Rigid (3 In.) (5 Pan) (Before 2019).....	2
6	00-497001-00002	Caster W/ Brake, Swivel (5 In.) (7/13/15/18 Pan) (Starting 2019).....	2
7	00-960520	Caster W/ Brake, Swivel (5 In.) (7/13/15/18 Pan) (Before 2019).....	2
8	00-961975	Caster 3 In. Caster W/ Brake, Swivel (3 In.) (5 Pan) (Starting 2019).....	2
9	00-960516	Caster W/ Brake, Swivel (3 In.) (5 Pan) (Before 2019).....	2
10	00-960606	Handle - Recessed (Black).....	4
11	00-960579	Gasket - Door (Top).....	AR
12	00-960577	Gasket - Door (Side) (5 Pan).....	AR
13	00-960571	Gasket - Door (Side) (7 Pan).....	AR
14	00-961153	Gasket - Door (Side) (13 Pan).....	AR
15	00-961154	Gasket - Door (Side) (15 Pan).....	AR
16	00-961155	Gasket - Door (Side) (18 Pan).....	AR
17	00-961062	Holder - Fan.....	1
18	00-960903	Controller.....	1
19	00-960748	High Limit Thermostat.....	1
20	00-961086	Fan 4-3/4 In. (120 V.).....	1
21	00-961230	Fan 4-3/4 In. (240 V.).....	1
22	00-960564	Element - Heating (1500 Watt) (120 V.).....	1
23	00-960568	Element - Heating (1500 Watt) (240 V.).....	1
24	00-960644	Knob (13/15/18 Pan).....	1
25	00-961170	Knob (5/7 Pan).....	1
26	00-960833	Fan - Vent, 3-1/8 In. (120 V.).....	1
27	00-960834	Fan 3-1/2 In. (240 V.) Fan 3-1/2 In. (240 V.).....	1
28	00-960507	Terminal - Block.....	1
29	00-961643	Bracket - Standoff.....	1
30	00-961059	Support - Rack (5 Pan).....	4
31	00-960761	Support - Rack (7/15 Pan).....	AR
32	00-961085	Support - Rack (13 Pan).....	4
33	00-961058	Support - Rack (18 Pan).....	4
34	00-960705	Rack Rack - Lip Load (LL Models).....	AR
35	00-960706	Rack - Pan - Side Load (SL Models).....	AR
36	00-960707	Rack - Shelf (SL Models).....	AR
37	00-960663	Latch - Door.....	AR
38	00-960616	Hinge Assy.....	AR
39	00-961138	Bracket - Fan.....	AR
*40	00-962446-00005	Door Assy. (SST) (VBP5/VPT5).....	1
*41	00-962446-00007	Door Assy. (SST) (VBP7/VBP15) (VPT7/VPT15).....	AR
*42	00-962446-00013	Door Assy. (SST) (VBP13/VPT13).....	1
*43	00-965446-00018	Door Assy. (SST) (VBP18/VPT18).....	1
*44	00-962446-00VHP	Door Assy. (SST) (VHP7/VHP15).....	AR
45	00-960532	Holder - Cord.....	1
46	00-960904	Probe - Controller.....	1
47	00-405016-G4	Cord Power (120V) (VBT18, VPT18).....	1
48	00-960539	Cord - Power (240 V.).....	1
49	00-960797	Harness - Wire.....	1
50	00-961459	Guard - Knob (5/7 Pan).....	1
51	00-960938	Tunnel (5 Pan).....	1
52	00-961205	Tunnel (7 Pan).....	1
53	00-961083	Tunnel (13 Pan).....	1
54	00-960944	Tunnel (15 Pan).....	1
55	00-961174	Tunnel (18 Pan).....	1

CABINET (VBP/VHP/VPT)

ILLUS.	PART NO.	NAME OF PART	AMT.
PL-61218			
56	00-960753	Tray - Slide.....	1
57	00-960672	Light - Indicator (240 V.) (VHP7/VHP15).....	1
58	00-960743	Thermostat 120 Deg. (VHP7/VHP15).....	1
59	00-960736	Temp Gage, Dial Type (VHP7/VHP15).....	1
60	00-960741	Thermostat 195 Deg. (VHP7/VHP15).....	1
61	00-960799	Harness - Wire (VHP7/VHP15).....	1
62	00-961113	Clip - Element (VHP7/VHP15).....	1
63	00-961372	Holder - Probe (VHP7/VHP15).....	1

* One Door, No Hardware

NOTES

