



# CATALOG OF REPLACEMENT PARTS

## SIGNATURE SERIES

| MODEL          |           | MODEL  | MODEL  |
|----------------|-----------|--------|--------|
| OVEN STD IGNIT | ML-044905 | V424M  | V2H36  |
| STD OVEN       | ML-044906 | V424S  | V2H36M |
| CONVOVEN       | ML-044907 | V436   | V2H36S |
| VS12T          | ML-044912 | V436M  | V2H36C |
| VS12F          | ML-044913 | V436S  | V3036  |
| VS18T          | ML-044914 | V436C  | V3036M |
| VS18F          | ML-044915 | V636   | V3036S |
| VS24T          | ML-044916 | V636M  | V3036C |
| VS24F          | ML-044917 | V636S  | V3G36  |
| VS36T          | ML-044918 | V636C  | V3G36M |
| VS36F          | ML-044919 | V1G12M | V3G36S |
| VS12S          | ML-044920 | V1G12S | V3G36C |
| VS18S          | ML-044921 | V1G24M |        |
| VS24S          | ML-044922 | V1G24S |        |
| VS36S          | ML-044923 | V212M  |        |
| VS12M          | ML-044924 | V212S  |        |
| VS18M          | ML-044925 | V218M  |        |
| VS24M          | ML-044926 | V218S  |        |
| VS36M          | ML-044927 |        |        |
| VO236          | ML-044970 |        |        |

**For additional information on Vulcan-Hart or to locate an authorized parts and service provider in your area, visit our website at [www.vulcanhart.com](http://www.vulcanhart.com)**

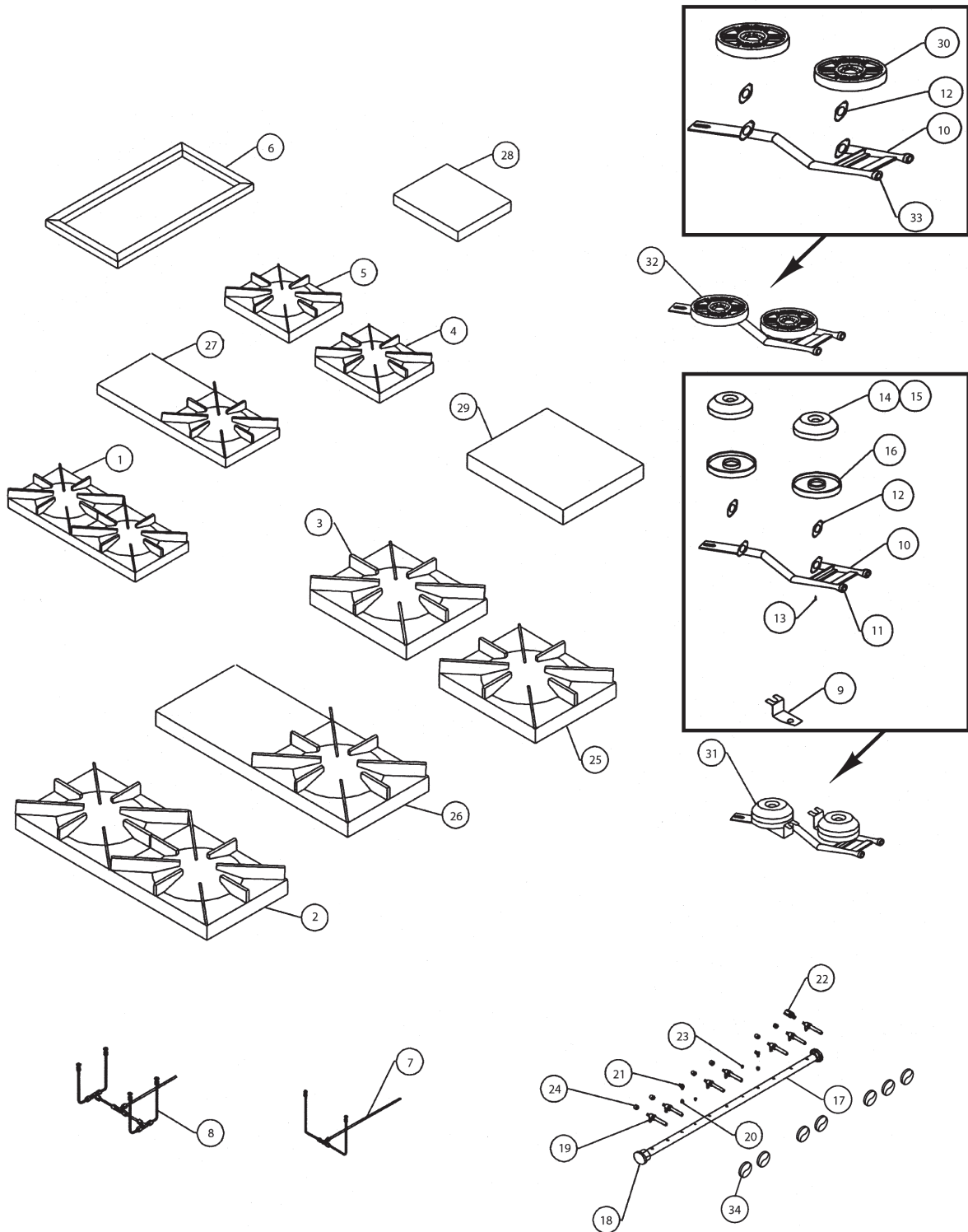


Fig. 1

## Standard Burner Parts

| ILLUS.<br>Fig. 1 | PART<br>NO.     | NAME OF PART                                       | AMT. |
|------------------|-----------------|--|------|
| 1                | 00-720567       | Open Top Grate (12" x 27") .....                   | 1    |
| 2                | 00-720566       | Open Top Grate (18" x 27") .....                   | 1    |
| 3                | 00-720675       | Rear Open Top 18" .....                            | 1    |
| 4                | 00-765905-0000A | Front Grate Step Up Unit (12 3/8" x 11 7/8") ..... | 1    |
| 5                | 00-765904-0000A | Rear Grate Step Up Unit (14 3/8" x 11 7/8") .....  | 1    |
| 6                | 00-762330-0003A | 4" Step Up Frame 36" .....                         | 1    |
| 7                | 00-762971-0000A | Pilot Tube Assy (Double Burner) .....              | 1    |
| 8                | 00-762972-0000A | Pilot Tube Assy (4 Burners) .....                  | 1    |
| 9                | 00-762346       | Pilot Bracket .....                                | 1    |
| 10               | 00-719708       | Venturi (Cast Iron) .....                          | 1    |
| 11               | 00-719241       | Air Shutter .....                                  | 1    |
| 12               | 00-714910       | Gasket .....                                       | 1    |
| 13               | 00-730028       | Mounting Screw .....                               | 1    |
| 14               | 00-715200-00001 | Burner Cap .....                                   | 1    |
| 15               | 00-715200-00002 | Burner Cap Slotted .....                           | 1    |
| 16               | 00-715201-00001 | Burner Base Plate .....                            | 1    |
| 17               | 00-722326       | Manifold Pipe .....                                | 1    |
| 18               | 00-715008       | Union 1 1/4" .....                                 | 1    |
| 19               | 00-715080       | 1/4 NPT Top Burner Valve .....                     | 1    |
| 20               | 00-719063       | 1/4" to 1/8" Reducing Bushing .....                | 1    |
| 21               | 00-719187       | 1/8 NPT x 3/16cc Pilot Valve .....                 | 1    |
| 22               | 00-719192       | Straight Connector .....                           | 1    |
| 23               | 00-719200       | 1/8 NPT Iron Pipe Plug .....                       | 1    |
| 24               | 00-719951       | Orifice .....                                      | 1    |
| 25               | 00-720674       | Front Open Top 18" .....                           | 1    |
| 26               | 00-720568       | 18" Half Hot Top .....                             | 1    |
| 27               | 00-720565       | 12" Half Hot Top .....                             | 1    |
| 28               | 00-788379-0000A | Rear Half Hot Top 12" .....                        | 1    |
| 29               | 00-720676       | Rear Half Hot Top 18" .....                        | 1    |
| 30               | 00-719706       | Open Top Burner, Head Only .....                   | 1    |
| 31               | 00-762970-0000A | Burner Assy. ....                                  | 1    |
| 32               | 00-762968-0000A | Open Top Burner Assy. ....                         | 1    |
| 33               | 00-719329       | Air Shutter .....                                  | 1    |
| 34               | 00-426745-00001 | Knob Control .....                                 | 1    |

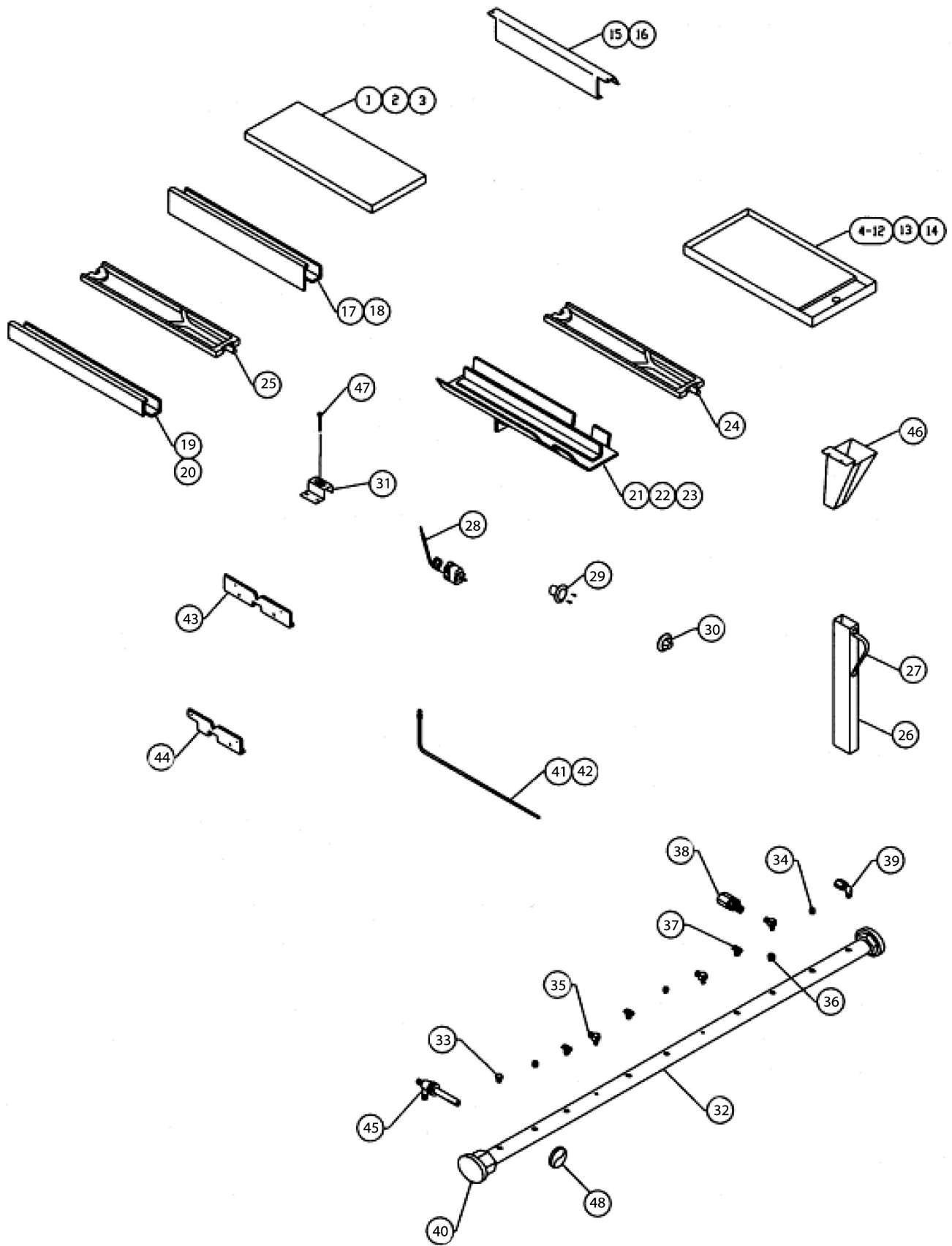


Fig. 2

## Hot Tops/Fry Tops Parts

| ILLUS.<br>Fig. 2 | PART<br>NO.     | NAME OF PART  | AMT. |
|------------------|-----------------|---|------|
| 1                | 00-720605       | Hot Top Plate (12" x 27") .....                         | 1    |
| 2                | 00-720604       | 18" Half Hot Top .....                                  | 1    |
| 3                | 00-720605-000G2 | 12" Full Hot Top .....                                  | 1    |
| 4                | 00-707880-0000A | 12" Fry Top 3/4" THK LH Drain .....                     | 1    |
| 5                | 00-769066-0000A | 24" Fry Top 3/4" THK LH Drain .....                     | 1    |
| 6                | 00-707888-0000A | 24" Fry Top 1" THK LH Drain .....                       | 1    |
| 7                | 00-769098-0000A | 36" Fry Top 3/4" THK LH Drain .....                     | 1    |
| 8                | 00-766091-0000A | 36" Fry Top 1" THK LH Drain .....                       | 1    |
| 9                | 00-707883-0000A | 48" Fry Top 3/4" THK (Specify Drain Loc.) .....         | 1    |
| 10               | 00-707890-0000A | 48" Fry Top 1" THK (Specify Drain Loc.) .....           | 1    |
| 11               | 00-707891-0000A | 60" Fry Top 1" THK (Specify Drain Loc.) .....           | 1    |
| 12               | 00-707892-0000A | 72" Fry Top 1" THK (Specify Drain Loc.) .....           | 1    |
| 13               | 00-767164-0000A | 18" Fry Top 1" THK LH Drain .....                       | 1    |
| 14               | 00-767165-0000A | 18" Fry Top T.G. 1" THK LH Drain .....                  | 1    |
| 15               | 00-706081       | RH End Plate FT .....                                   | 1    |
| 16               | 00-706080       | LH End Plate FT .....                                   | 1    |
| 17               | 00-706078       | Separation Plate Between O.B. & FT or HT (12" HP) ..... | 1    |
| 18               | 00-767180       | Separation Plate Between O.B. & FT or HT (18" HP) ..... | 1    |
| 19               | 00-706079       | End Plate HT .....                                      | 1    |
| 20               | 00-767179       | End Plate 18" HT .....                                  | 1    |
| 21               | 00-707870-0000A | Aeration Plate CTR HT-FT .....                          | 1    |
| 22               | 00-707871-0000A | Aeration Plate CTR - TG Grill .....                     | 1    |
| 23               | 00-767170-0000A | Aeration Plate CTR 18" HT .....                         | 1    |
| 24               | 00-707893-0000A | Fry Top Burner Assy., Cast Iron .....                   | 1    |
| 25               | 00-707894-0000A | Hot Top Burner Assy., Cast Iron .....                   | 1    |
| 26               | 00-707877-0000A | Grease Can, Range Unit .....                            | 1    |
| 27               | 00-706084       | Handle for Grease Can .....                             | 1    |
| 28               | 00-719362       | Griddle Thermostat .....                                | 1    |
| 29               | 00-715075       | Griddle Thermostat Bezil .....                          | 1    |
| 30               | 00-715074       | Griddle Thermostat Dial .....                           | 1    |
| 31               | 00-705032-0000A | Griddle Adj. Bracket .....                              | 1    |
| 32               | 00-757750-0000A | Manifold Pipe .....                                     | 1    |
| 33               | 00-719371       | 1/4 NPT Steel Pipe Hex Plug .....                       | 1    |
| 34               | 00-719364       | 1/4 Steel Plug (Countersink) .....                      | 1    |
| 35               | 00-719193       | 1/8 NPT x 3/16 Adj. Pilot Valve .....                   | 1    |
| 36               | 00-719063       | 1/4" x 1/8" Reducing Bushing .....                      | 1    |
| 37               | 00-715084       | 1/4 NPT Flange Nipple .....                             | 1    |
| 38               | 00-719141       | 1/8 NPT x 3/16cc Straight Connector .....               | 1    |
| 39               | 00-719158       | 1/4 NPT x 7/16cc 90° Elbow .....                        | 1    |
| 40               | FP-088-89       | Union 1 1/4" .....                                      | 1    |
| 41               | 00-706771-0000A | Pilot Stem & Tip Only 8" .....                          | 1    |
| 42               | 00-706770-0000A | Pilot Stem & Tip Only 7" .....                          | 1    |
| 43               | 00-706065       | Baffle, Front - Center .....                            | 1    |
| 44               | 00-706066       | Baffle, Front - Left or Right .....                     | 1    |
| 45               | 00-715080       | 1/4 NPT Top Burner Valve .....                          | 1    |
| 46               | 00-763011-0000A | Grease Chute .....                                      | 1    |
| 47               | 00-730117       | Leveling Bolt .....                                     | 1    |
| 48               | 00-426745-00001 | Knob Control .....                                      | 1    |

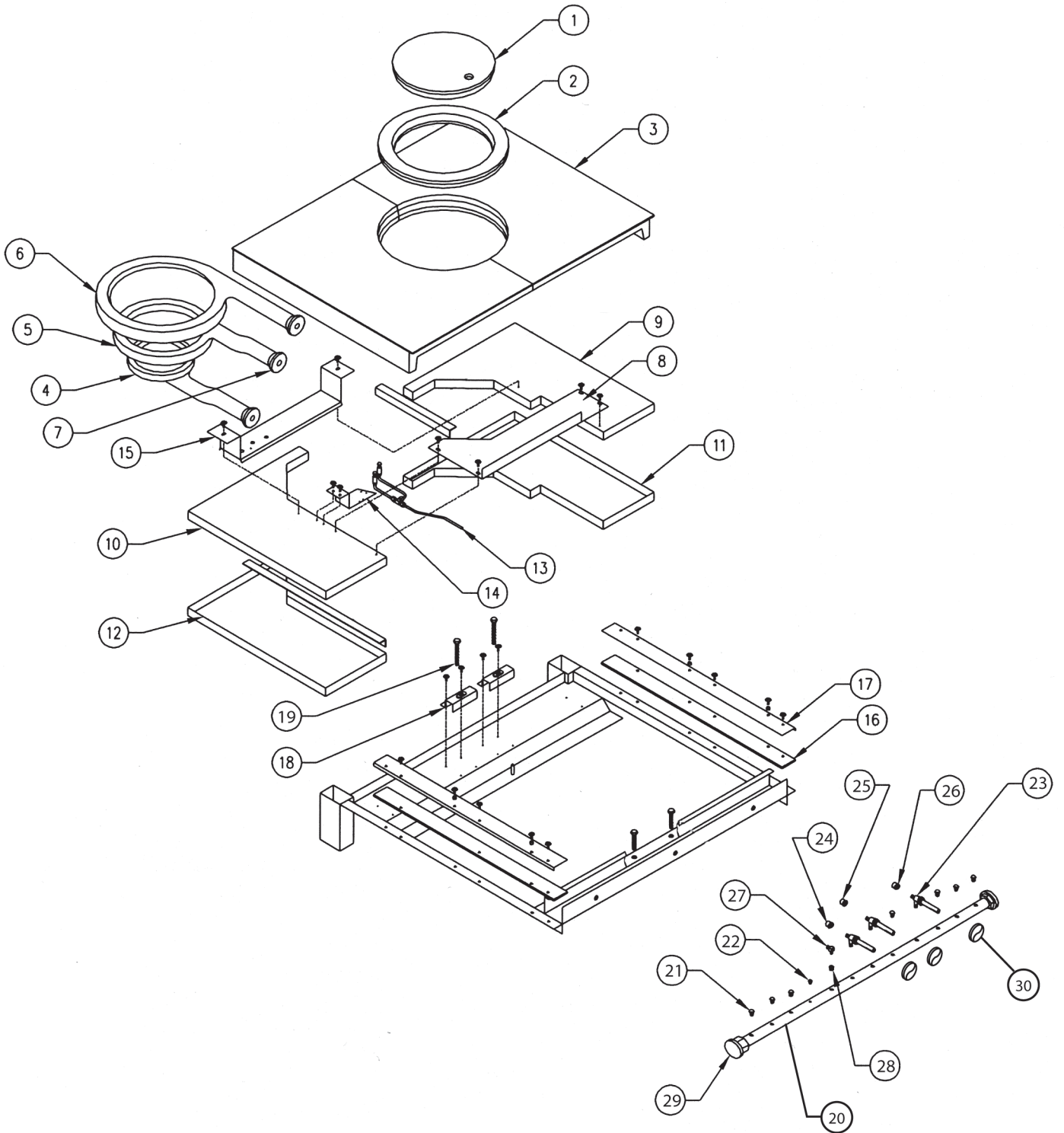
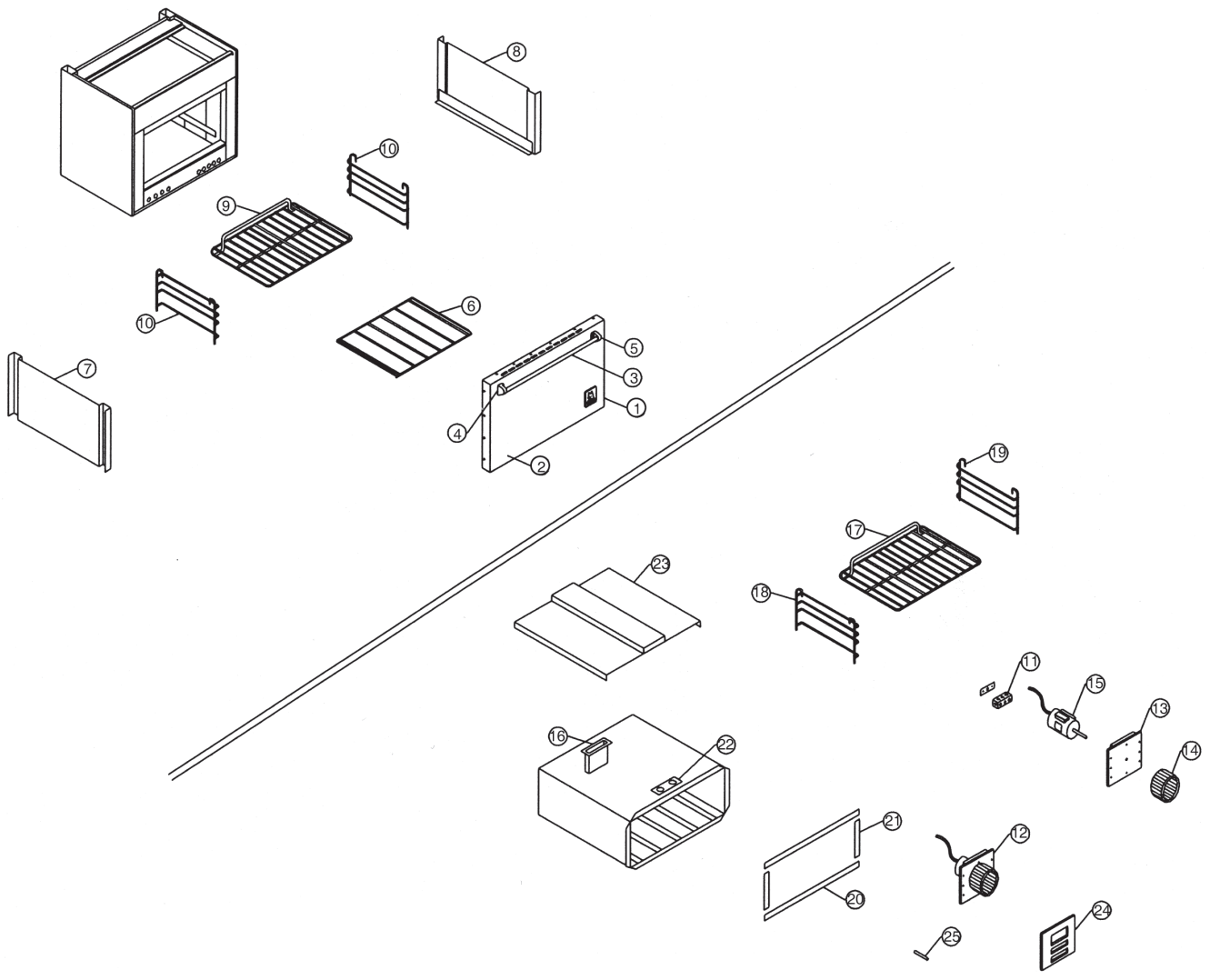


Fig. 3

## French Top Parts

| ILLUS.<br>Fig. 3 | PART<br>NO.     | NAME OF PART                                 | AMT. |
|------------------|-----------------|--|------|
| 1                | 00-715211       | Top Ring Casting .....                       | 1    |
| 2                | 00-715210       | Top Center Casting .....                     | 1    |
| 3                | 00-715212       | Top Radial Finned Casting .....              | 1    |
| 4                | 00-409414-000G1 | Center Frenchtop Burner .....                | 1    |
| 5                | 00-409413-000G1 | Middle Frenchtop Burner .....                | 1    |
| 6                | 00-409412-000G1 | Outer Frenchtop Burner .....                 | 1    |
| 7                | 00-719329       | Air Shutter .....                            | 1    |
| 8                | 00-764907       | Center Heat Panel .....                      | 1    |
| 9                | 00-764908       | Top Insulation Panel - RH .....              | 1    |
| 10               | 00-764909       | Top Insulation Panel - LH .....              | 1    |
| 11               | 00-764910       | Bottom Insulation Panel - RH .....           | 1    |
| 12               | 00-764911       | Bottom Insulation Panel - LH .....           | 1    |
| 13               | 00-764923-0000A | Pilot Tube Assembly .....                    | 1    |
| 14               | 00-787223       | Dual Pilot Bracket .....                     | 1    |
| 15               | 00-764916       | Burner Support Bracket.....                  | 1    |
| 16               | 00-764919       | Grate Support .....                          | 1    |
| 17               | 00-764920       | Grate Support Cover .....                    | 1    |
| 18               | 00-705032-0000A | Leveling Bracket W/A .....                   | 1    |
| 19               | 00-730117       | Rear Leveling Bolts .....                    | 1    |
| 20               | 00-757750-0000A | Manifold Pipe .....                          | 1    |
| 21               | 00-719371       | 1/4" Plug .....                              | 1    |
| 22               | 00-719370       | 1/8" Plug .....                              | 1    |
| 23               | 00-715080       | 1/4 NPT Valve .....                          | 1    |
| 24               | 00-719951-00053 | Inner Burner Orifice (Nat. or LP. Gas) ..... | 1    |
| 25               | 00-719951-00052 | Middle Burner Orifice (Nat. Gas) .....       | 1    |
|                  | 00-719951-00059 | Middle Burner Orifice (LP. Gas) .....        | 1    |
| 26               | 00-719951-00043 | Outer Burner Orifice (Nat. Gas) .....        | 1    |
|                  | 00-719951-00062 | Outer Burner Orifice (LP. Gas).....          | 1    |
| 27               | 00-719193       | Single Pilot Valve .....                     | 1    |
| 28               | 00-719063       | 1/4 to 1/8 Reducing Bushing .....            | 1    |
| 29               | FP-087-62       | 1 1/4" Union .....                           | 1    |
| 30               | 00-426745-00001 | Knob Control .....                           | 1    |



Standard Oven

Convection Oven

Fig. 4

## Oven Parts

| ILLUS.<br>Fig. 4 | PART<br>NO.     | NAME OF PART                               | AMT. |
|------------------|-----------------|--|------|
| 1                | 00-788278-0000A | Oven Door Complete, Stainless .....        | 1    |
| 2                | 00-757522       | Door Panel .....                           | 1    |
| 3                | 00-715504       | Door Handle .....                          | 1    |
| 4                | 00-719621       | Door Handle Bracket, Left .....            | 1    |
| 5                | 00-719622       | Door Handle Bracket, Right .....           | 1    |
| 6                | 00-707859-000AP | Oven Bottom, Porcelain .....               | 1    |
| 7                | 00-707854-000AP | Oven Side Liner, Left .....                | 1    |
| 8                | 00-707855-000AP | Oven Side Liner, Right .....               | 1    |
| 9                | 00-715060-000A2 | Oven Rack .....                            | 1    |
| 10               | 00-715026-00002 | Oven Rack Guide Assy., Left or Right ..... | 1    |
| 11               | 00-788596-0000A | Terminal Block .....                       | 1    |
| 12               | 00-751316-0000A | Motor & Fan Assy. (115V) .....             | 1    |
| 13               | 00-751655-0000A | Motor Mounting Plate Assy. ....            | 1    |
| 14               | 00-715106       | Fan Blower Wheel Only (8" x 2 1/2") .....  | 1    |
| 15               | 00-715107-00002 | Motor Only (115V) .....                    | 1    |
| 16               | 00-751341-0000A | Snorkler Tube .....                        | 1    |
| 17               | 00-718341       | Oven Rack (26 1/8" x 21") .....            | 1    |
| 18               | 00-714941       | Oven Rack Guide, Left .....                | 1    |
| 19               | 00-714942       | Oven Rack Guide, Right .....               | 1    |
| 20               | 00-720666       | Top Door Seal .....                        | 1    |
|                  | 00-720667       | Bottom Door Seal .....                     | 1    |
| 21               | 00-720668       | Right Side Door Seal .....                 | 1    |
|                  | 00-720669       | Left Side Door Seal .....                  | 1    |
| 22               | 00-751355-000A2 | Vent Tube Assy. ....                       | 1    |
| 23               | 00-751369-0000A | Flue Duct Assy. ....                       | 1    |
| 24               | 00-751351       | Fan Cover Front Shield .....               | 1    |
| 25               | 00-715138       | Sleeve/Spacer .....                        | 1    |
|                  | 00-715016       | LH Counterweight Arm .....                 | 1    |
|                  | 00-715017       | RH Counterweight Arm .....                 | 1    |
|                  | 00-715064       | Hinge Pin .....                            | 1    |
|                  | 00-715063       | Hinge Pin Bushing .....                    | 1    |
|                  | 00-707843-0000A | Flue Box (Standard Oven) .....             | 1    |
|                  | 00-751444-0000A | Flue Box (Convection Oven) .....           | 1    |

Control System • Convection Oven

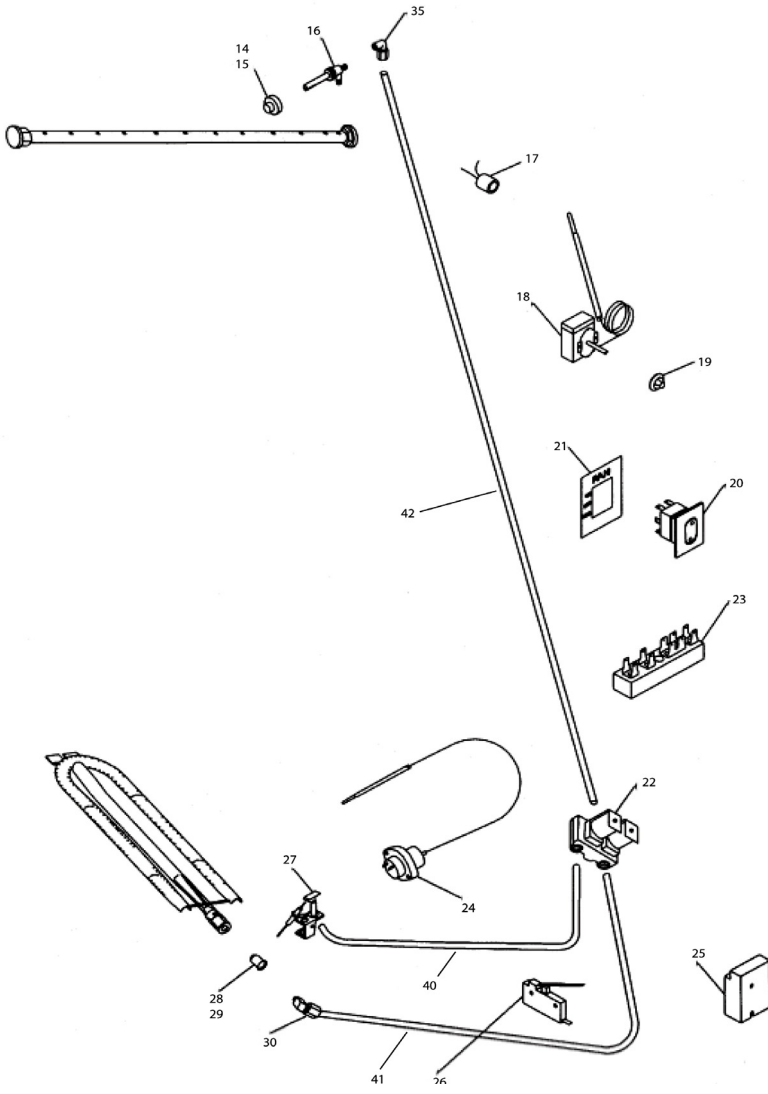


Fig. 5

Control System • Standard Oven

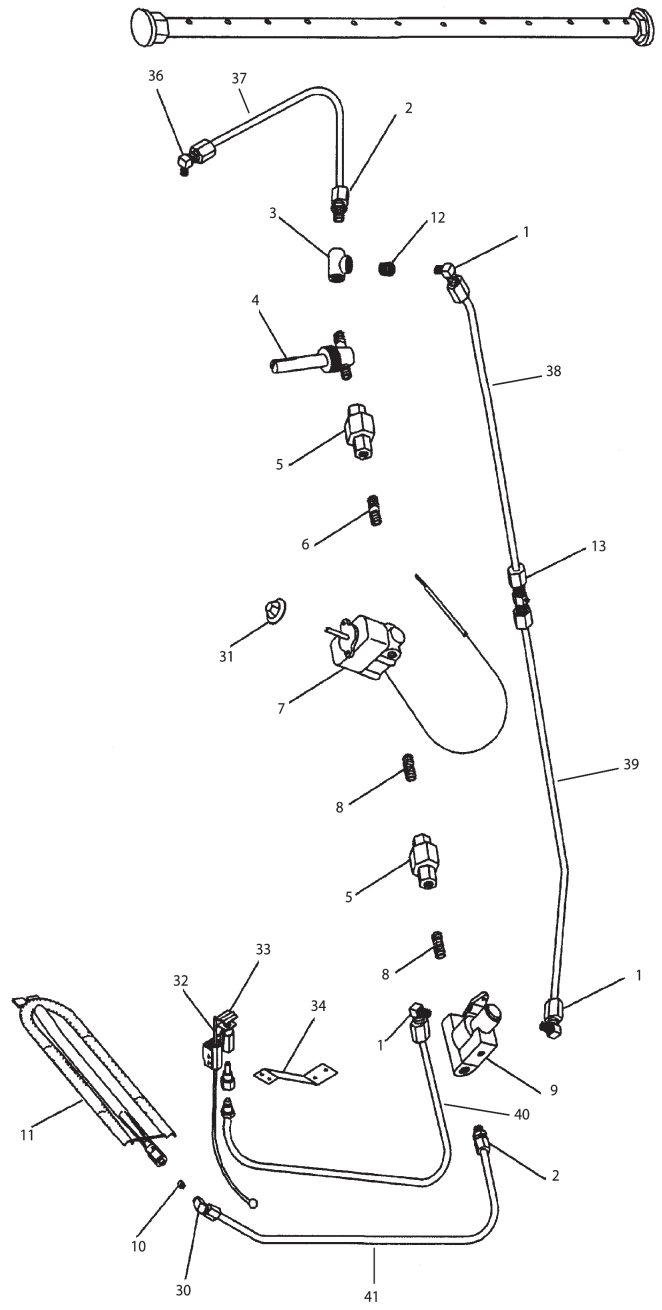


Fig. 6

## Control System Parts List

| ILLUS.<br>Fig. 5, 6 | PART<br>NO.     | NAME OF PART  | AMT. |
|---------------------|-----------------|---|------|
| 1                   | 00-719156       | 1/8 X 1/4cc Brass Elbow .....                           | 1    |
| 2                   | 00-719377       | 3/8 NPT X 3/8 STR Brass Connector .....                 | 1    |
| 3                   | 00-719037       | 3/8 X 3/8 X 3/8 Tee .....                               | 1    |
| 4                   | 00-719971       | Shut Off Valve (Standard Oven) .....                    | 1    |
| 5                   | 00-719032       | Union 3/8 .....   | 1    |
| 6                   | 00-719055       | Nipple 3/8 X 1 1/4 .....                                | 1    |
| 7                   | 00-715048       | Oven Thermostat (FDT0) (500°) .....                     | 1    |
|                     | 00-715048-00002 | Oven Thermostat (650°) .....                            | 1    |
| 8                   | 00-719074       | Close Nipple 3/8 .....                                  | 1    |
| 9                   | 00-720719       | Safety Valve (BASO) .....                               | 1    |
| 10                  | 00-719951-00035 | Orifice .....   | 1    |
| 11                  | 00-719737-00004 | Oven Burner (Prior to April 17, 2006) .....             | 1    |
|                     | 00-497579-000G1 | Oven Burner (April 17, 2006 to Present) .....           | 1    |
| 12                  | 00-719066       | Reducing Coupling 3/8 X 1/8 .....                       | 1    |
| 13                  | 00-707648-0000A | Pilot Valve Assy. ....                                  | 1    |
| 14                  | 00-402957-00003 | Knob, Oven Valve (Black) .....                          | 1    |
| 15                  | 00-402957-00002 | Knob, Oven Valve (Red) .....                            | 1    |
| 16                  | 00-715080       | ON/OFF Oven Valve (Convection Oven) .....               | 1    |
| 17                  | 00-720017       | Temperature Indicator Light (Red).....                  | 1    |
| 18                  | 00-719202       | Oven Thermostat (Convection Oven) .....                 | 1    |
| 19                  | 00-718224       | Oven Thermostat Dial .....                              | 1    |
| 20                  | 00-715112       | Fan Switch (3-Position Rocker) .....                    | 1    |
| 21                  | 00-715127       | Label, Fan Switch .....                                 | 1    |
| 22                  | 00-713656       | Dual Solenoid .....                                     | 1    |
| 23                  | 00-788596-0000A | Terminal Block .....                                    | 1    |
| 24                  | 00-713933       | Flame Switch .....                                      | 1    |
| 25                  | 00-720385       | Spark Module, Single (Blue) .....                       | 1    |
| 26                  | 00-715122       | Switch, Door .....                                      | 1    |
| 27                  | 00-714392-00042 | Spark Pilot .....                                       | 1    |
| 28                  | 00-720041       | Pilot Orifice (Nat. Gas) (Use With 715004 Only) .....   | 1    |
| 29                  | 00-712363       | Pilot Orifice (LP. Gas) (Use With 715004 Only) .....    | 1    |
| 30                  | 00-719385       | Orifice Elbow, Oven Burner .....                        | 1    |
| 31                  | 00-715059       | Oven Thermostat Dial (Knob) (500°) .....                | 1    |
|                     | 00-715059-00001 | Oven Thermostat Dial (Knob) (650°) .....                | 1    |
| 32                  | 00-715005       | Oven Safety Thermocouple .....                          | 1    |
| 33                  | 00-715004       | Oven Pilot (Nat. Gas) (Prior to April 17, 2006) .....   | 1    |
|                     | 00-412787-00001 | Oven Pilot (Nat. Gas) (April 17, 2006 to Present) ..... | 1    |
|                     | 00-412782-00002 | Oven Pilot (LP. Gas) (April 17, 2006 to Present) .....  | 1    |
| 34                  | 00-706088       | Mounting Bracket For Pilot .....                        | 1    |
| 35                  | 00-719393       | Elbow 3/8 x 3/8cc .....                                 | 1    |
| 36                  | 00-719376       | Brass Elbow .....                                       | 1    |
| 37                  | 00-722425       | Flex Tubing 3/8 x 8" .....                              | 1    |
| 38                  | 00-722227       | Flex Tubing 1/4 X 6" .....                              | 1    |
| 39                  | 00-722229       | Flex Tubing 1/4 X 18" .....                             | 1    |
| 40                  | 00-722230       | Flex Tubing 1/4 X 24" .....                             | 1    |
| 41                  | 00-722223       | Flex Tubing 3/8 X 24" .....                             | 1    |
| 42                  | 00-722222       | Flex Tubing 3/8 X 18" .....                             | 1    |

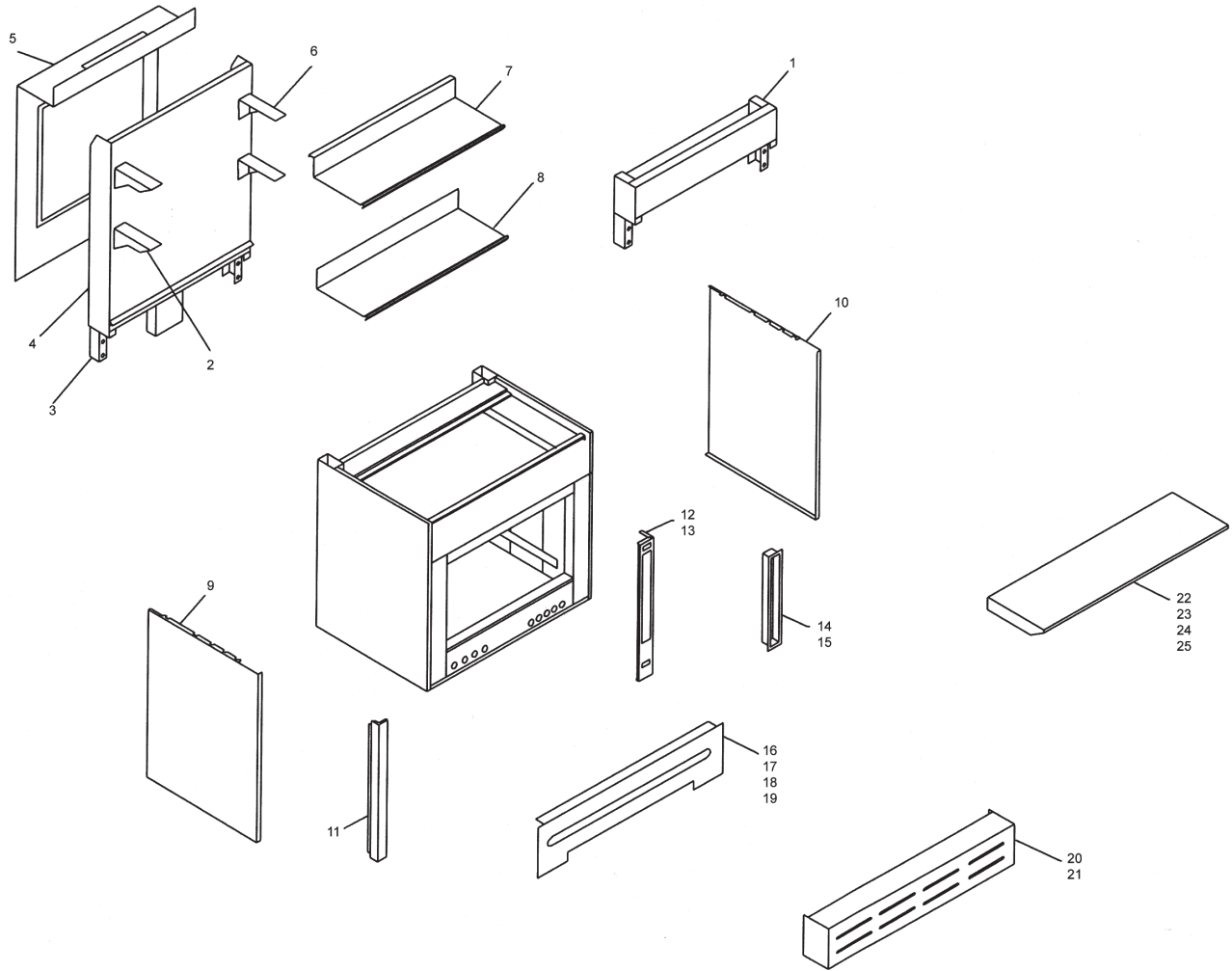


Fig. 7

## Body Parts/Shelves Risers Parts List

| ILLUS.<br>Fig. 7 | PART<br>NO.     | NAME OF PART                                     | AMT. |
|------------------|-----------------|--|------|
| 1                | 00-769185-0000A | Riser, 36" SST Stub .....                        | 1    |
| 2                | 00-715089       | Shelf Bracket L-Plated .....                     | 1    |
| 3                | 00-788577-0000A | Kit, Support Channels .....                      | 1    |
| 4                | 00-767547-0000A | Double Deck Hi-Shelf Front .....                 | 1    |
| 5                | 00-706252       | Back Panel Double Deck .....                     | 1    |
| 6                | 00-715090       | Shelf Bracket R-Plated .....                     | 1    |
| 7                | 00-706289       | Top Shelf S/S 36" .....                          | 1    |
| 8                | 00-707509-0000A | Lower Shelf S/S 36" .....                        | 1    |
| 9                | 00-763698       | Right Side Stainless Plant On .....              | 1    |
| 10               | 00-763699       | Left Side Stainless Plant On .....               | 1    |
| 11               | 00-706393       | Left Oven Post Cover, Stainless .....            | 1    |
| 12               | 00-706114       | Oven Control Panel, Painted .....                | 1    |
| 13               | 00-706115       | Oven Control Panel, Stainless .....              | 1    |
| 14               | 00-706117       | Oven Control Panel Insert, Stainless .....       | 1    |
| 15               | 00-751609       | Oven Control Panel Insert, Stainless - KFS ..... | 1    |
| 16               | 00-706129-00001 | Manifold Cover 36" S/S .....                     | 1    |
| 17               | 00-706361-00001 | Manifold Cover 24" S/S .....                     | 1    |
| 18               | 00-706359-00001 | Manifold Cover 18" S/S .....                     | 1    |
| 19               | 00-706357       | Manifold Cover 12" S/S .....                     | 1    |
| 20               | 00-706163       | Burner Box Panel (Kick Plate) Painted .....      | 1    |
| 21               | 00-706164       | Burner Box Panel (Kick Plate) Stainless .....    | 1    |
| 22               | 00-788768-00A12 | Roll Front - Bull Nose 12" .....                 | 1    |
| 23               | 00-788768-00A18 | Roll Front - Bull Nose 18" .....                 | 1    |
| 24               | 00-788768-00A24 | Roll Front - Bull Nose 24" .....                 | 1    |
| 25               | 00-788768-00A36 | Roll Front - Bull Nose 36" .....                 | 1    |

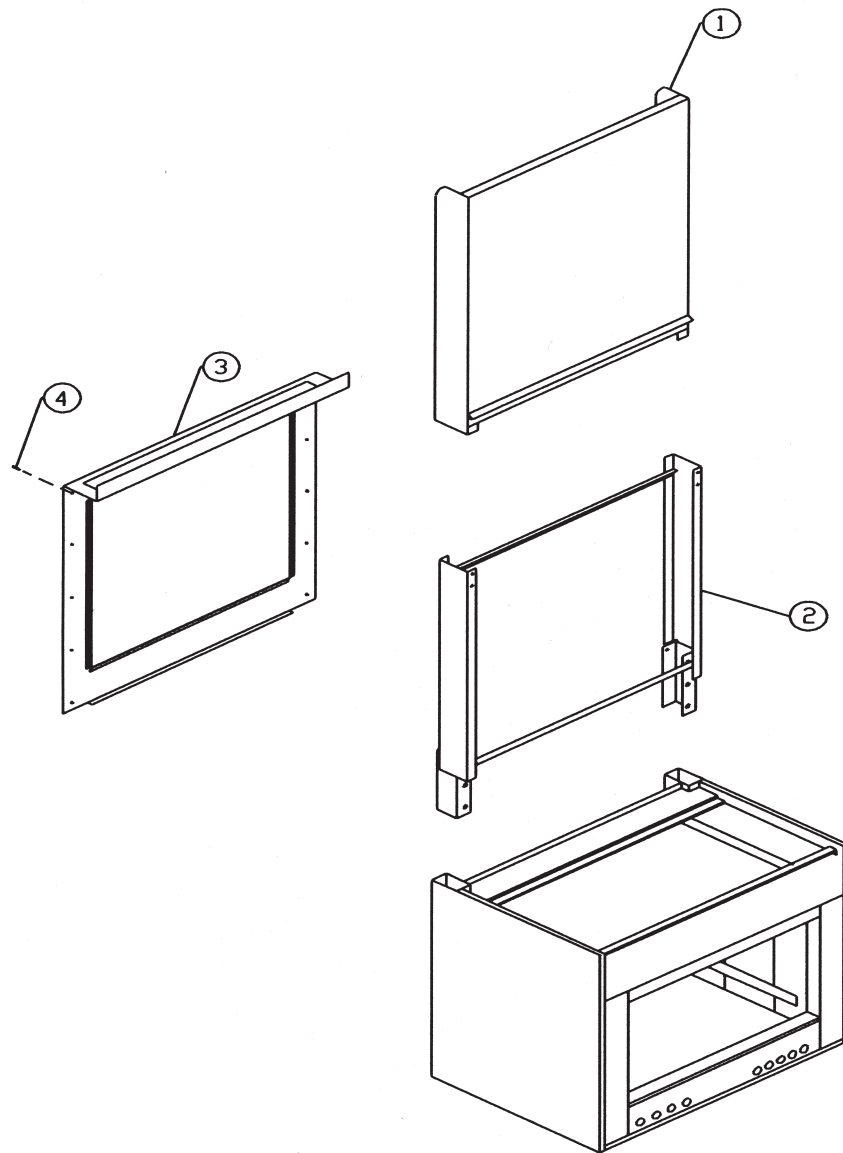


Fig. 8

**Riser Kit Without Shelf Parts List**

| ILLUS.<br>Fig. 8 | PART<br>NO.     | NAME OF PART                       | AMT. |
|------------------|-----------------|------------------------------------|------|
| 1                | 00-767548-0000A | Single Deck Riser Panel, SST ..... | 1    |
| 2                | 00-788576-0000A | Channel Support Kit .....          | 1    |
| 3                | 00-707514-0000A | Back Panel, Single Deck Assy. .... | 1    |
| 4                | 00-730228       | Screw, 10-24 X 1/2 Phil .....      | 14   |

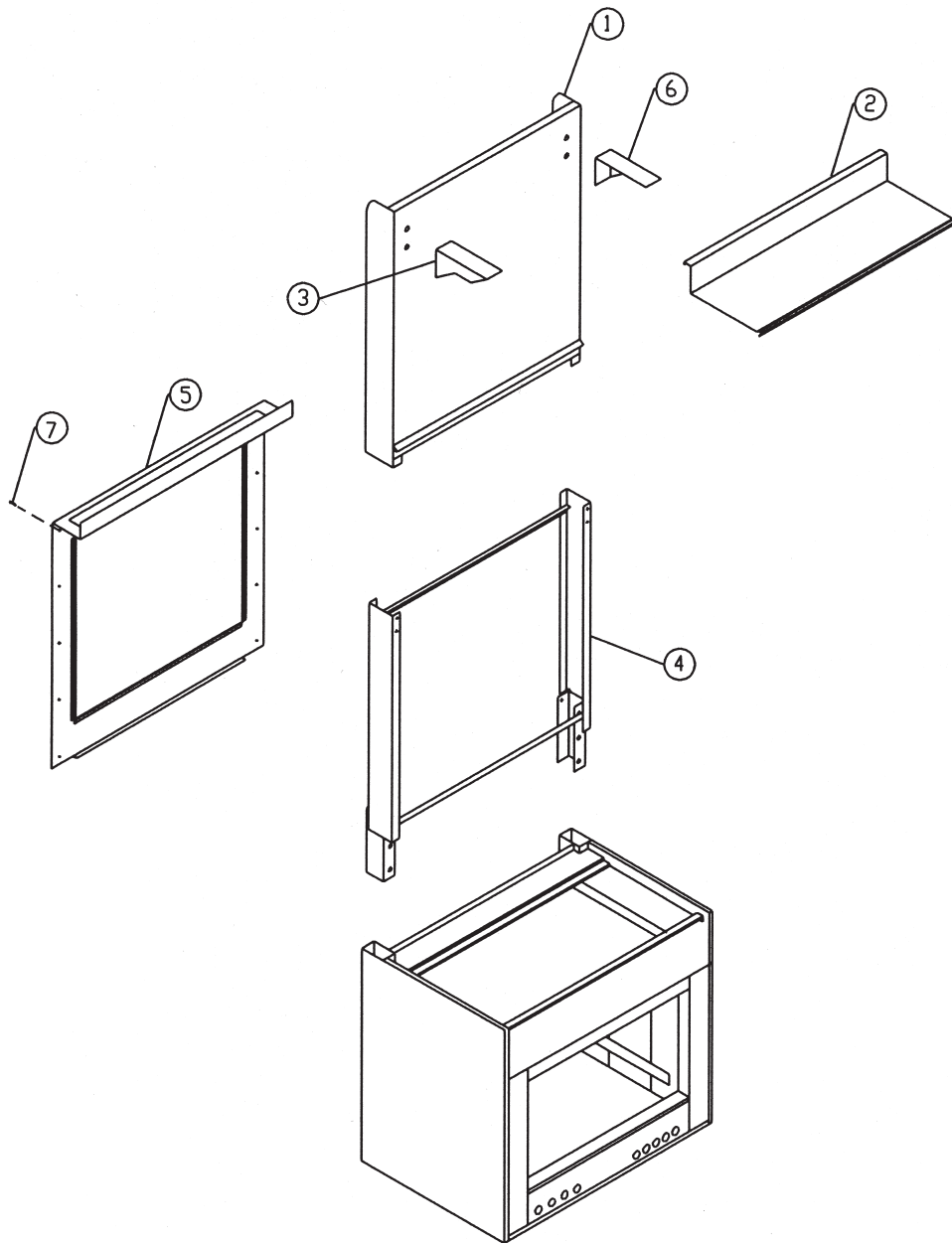


Fig. 9

### Riser Kit With Single Shelf Parts List

| ILLUS.<br>Fig. 9 | PART<br>NO.     | NAME OF PART                          | AMT. |
|------------------|-----------------|---------------------------------------|------|
| 1                | 00-767547-0000A | Single Deck Hi-Shelf Panel, SST ..... | 1    |
| 2                | 00-706289       | Top Shelf S/S 36" .....               | 1    |
| 3                | 00-715089       | Shelf Bracket L-Plated .....          | 1    |
| 4                | 00-788576-0000A | Channel Support Kit .....             | 1    |
| 5                | 00-707514-0000A | Back Panel Single Deck Assy. ....     | 1    |
| 6                | 00-715090       | Shelf Bracket R-Plated .....          | 1    |
| 7                | 00-730228       | Screw, 10-24 X 1/2 Phil .....         | 14   |

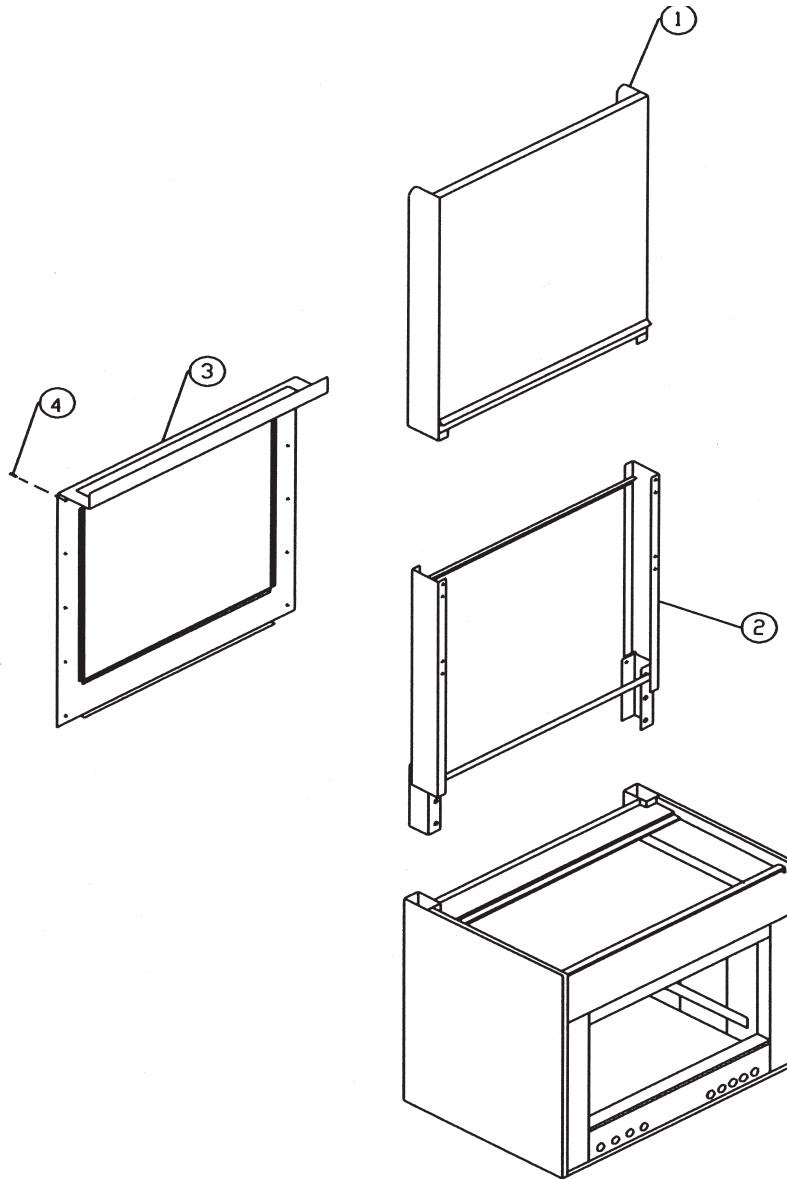


Fig. 10

**Double Deck Riser Kit Without Shelves Parts List**

| ILLUS.<br>Fig. 10 | PART<br>NO.     | NAME OF PART                       | AMT. |
|-------------------|-----------------|------------------------------------|------|
| 1                 | 00-767580-0000A | Double Deck Riser Panel, SST ..... | 1    |
| 2                 | 00-788577-0000A | Channel Support Kit .....          | 1    |
| 3                 | 00-707519-0000A | Back Panel Double Deck Assy. ....  | 1    |
| 4                 | 00-730228       | Screw, 10-24 X 1/2 Phil .....      | 16   |

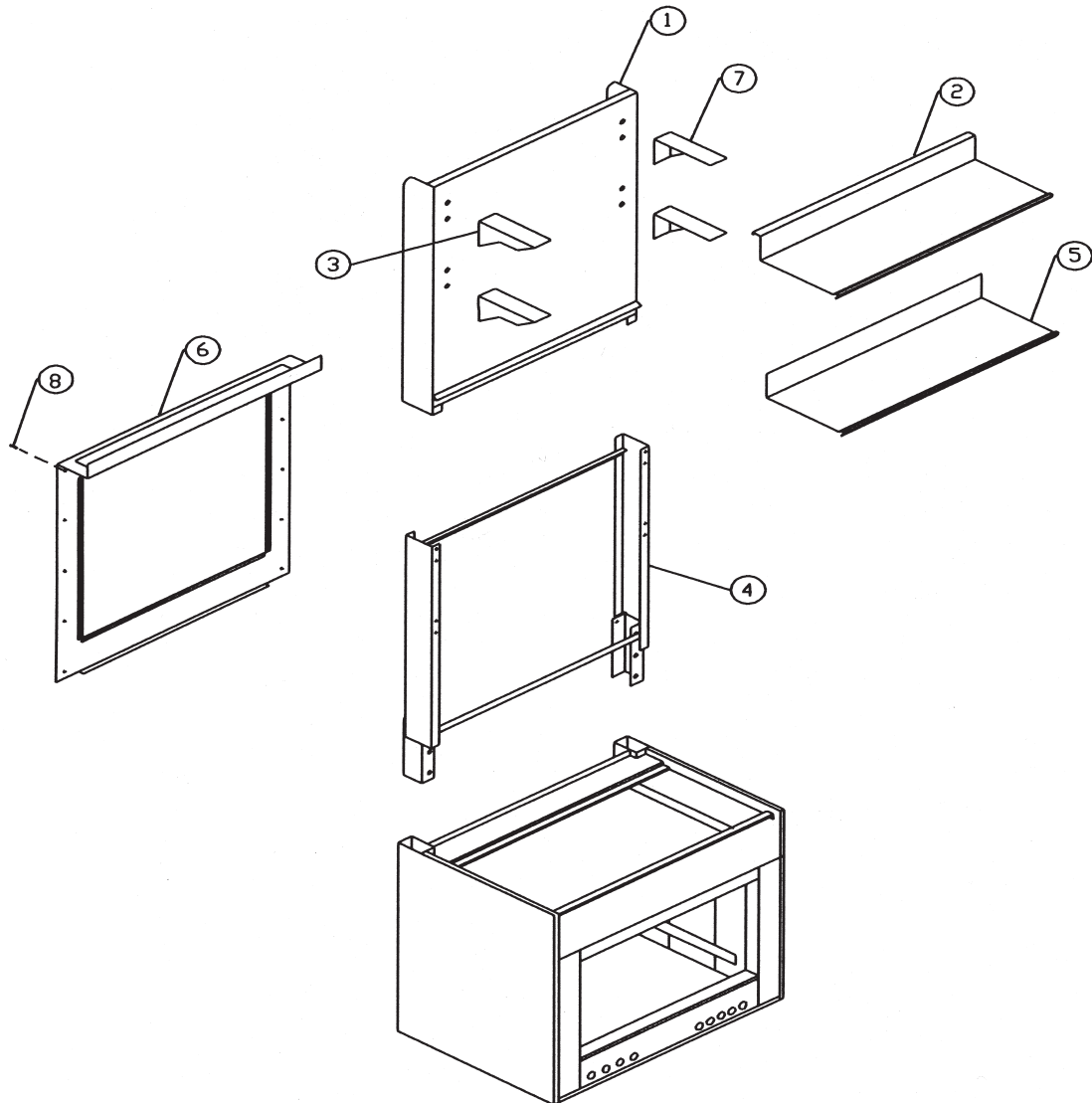


Fig. 11

### Double Deck Riser Kit With Shelves Parts List

| ILLUS.<br>Fig. 11 | PART<br>NO.     | NAME OF PART                          | AMT. |
|-------------------|-----------------|---------------------------------------|------|
| 1                 | 00-767579-0000A | Double Deck Hi-Shelf Panel, SST ..... | 1    |
| 2                 | 00-706289       | Top Shelf, S/S 36" .....              | 1    |
| 3                 | 00-715089       | Shelf Bracket L-Plated .....          | 2    |
| 4                 | 00-788577-0000A | Channel Support Kit .....             | 1    |
| 5                 | 00-707509-0000A | Lower Shelf, S/S 36" .....            | 1    |
| 6                 | 00-707519-0000A | Back Panel Double Deck Assy. ....     | 1    |
| 7                 | 00-715090       | Shelf Bracket R-Plated .....          | 2    |
| 8                 | 00-730228       | Screw, 10-24 X 1/2 Phil .....         | 16   |

## RECOMMENDED SPARE PARTS LIST

### OPEN TOP/HOT TOP/GRIDDLE

| PART<br>NO.     | NAME OF PART                                   | AMT. |
|-----------------|--|------|
| 00-762970-0000A | Double Burner Assy. ....                       | 1    |
| 00-715080       | Top Burner Valve .....                         | 2    |
| 00-762971-0000A | Two Burner Pilot Assy. ....                    | 2    |
| 00-719193       | Pilot Valve .....                              | 2    |
| 00-426745-00001 | Top Control Knob .....                         | 2    |
| 00-719951-00041 | Open Top Burner Orifice (Nat. Gas) (#41) ..... | 2    |
| 00-719951-00052 | Open Top Burner Orifice (L.P. Gas) (#52) ..... | 2    |
| 00-719362       | Griddle Thermostat .....                       | 1    |
| 00-715074       | Griddle Thermostat Knob .....                  | 1    |
| 00-706771-0000A | Pilot Assy. (Griddle/Hot Top) .....            | 1    |
| 00-720566       | Double Open Top Grate (18") .....              | 1    |
| 00-720567       | Double Open Top Grate (12") .....              | 1    |

### STANDARD OVEN AND CONVECTION OVEN

| PART<br>NO.            | NAME OF PART   | AMT. |
|------------------------|--|------|
| <b>STANDARD OVEN</b>   |  |      |
| 00-714267              | Safety Valve .....                                       | 2    |
| 00-715048              | Thermostat (Oven) (500 Degrees) .....                    | 2    |
| 00-715059              | Thermostat Knob (500 Degrees) .....                      | 2    |
| 00-715048-00002        | Thermostat (Oven) (650 Degrees) .....                    | 2    |
| 00-715059-00001        | Thermostat Knob (650 Degrees) .....                      | 2    |
| 00-715004              | Oven pilot Assy. (Before April 17, 2006) .....           | 2    |
| 00-412787-00001        | Oven pilot Assy. (After April 17, 2006) (Nat. Gas) ..... | 2    |
| 00-412787-00002        | Oven Pilot Assy. (After April 17, 2006) (L.P. Gas) ..... | 2    |
| 00-408279-00025        | Regulator (Nat. Gas) .....                               | 2    |
| 00-408279-00021        | Regulator (L.P. Gas) .....                               | 2    |
| <b>CONVECTION OVEN</b> |  |      |
| 00-713656              | Double Solenoid Valve .....                              | 2    |
| 00-720385              | Spark Module .....                                       | 2    |
| 00-751316-0000A        | Motor/Blower Assy. ....                                  | 1    |
| 00-713933              | Flame Switch .....                                       | 2    |
| 00-714392-00042        | Spark Pilot .....  | 2    |
| 00-718224              | Thermostat Knob .....                                    | 2    |
| 00-719202              | Electric Oven Thermostat .....                           | 2    |
| 00-715112              | Fan Switch .....   | 2    |
| 00-715122              | Door Switch .....  | 2    |