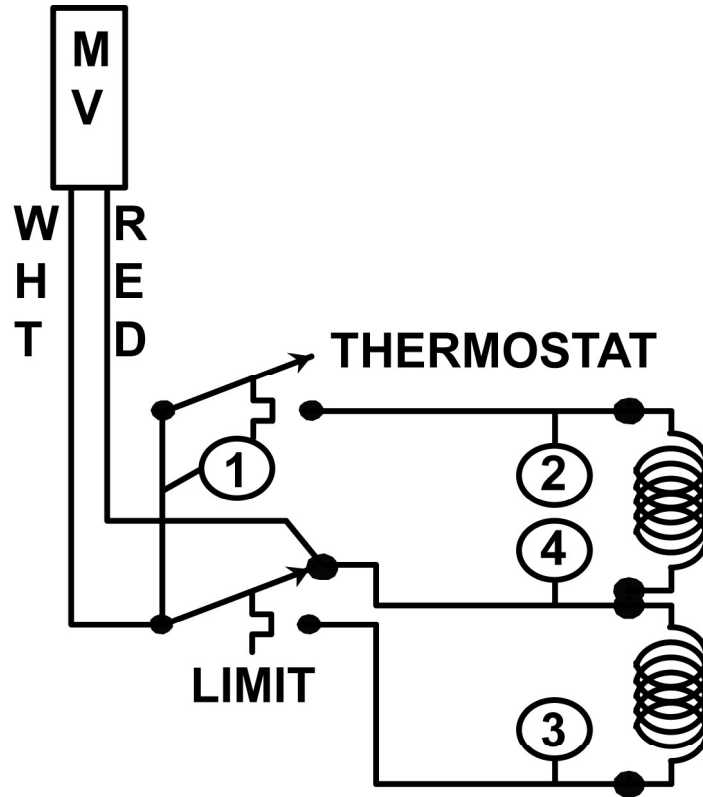


DIAGRAMS

SCHEMATIC



DERIVED FROM #958873

AI4735

Fig. 40

NOTE: High limit shown tripped.

WIRING DIAGRAM

LG Series Gas Fryers

Derived From
427734 Rev D

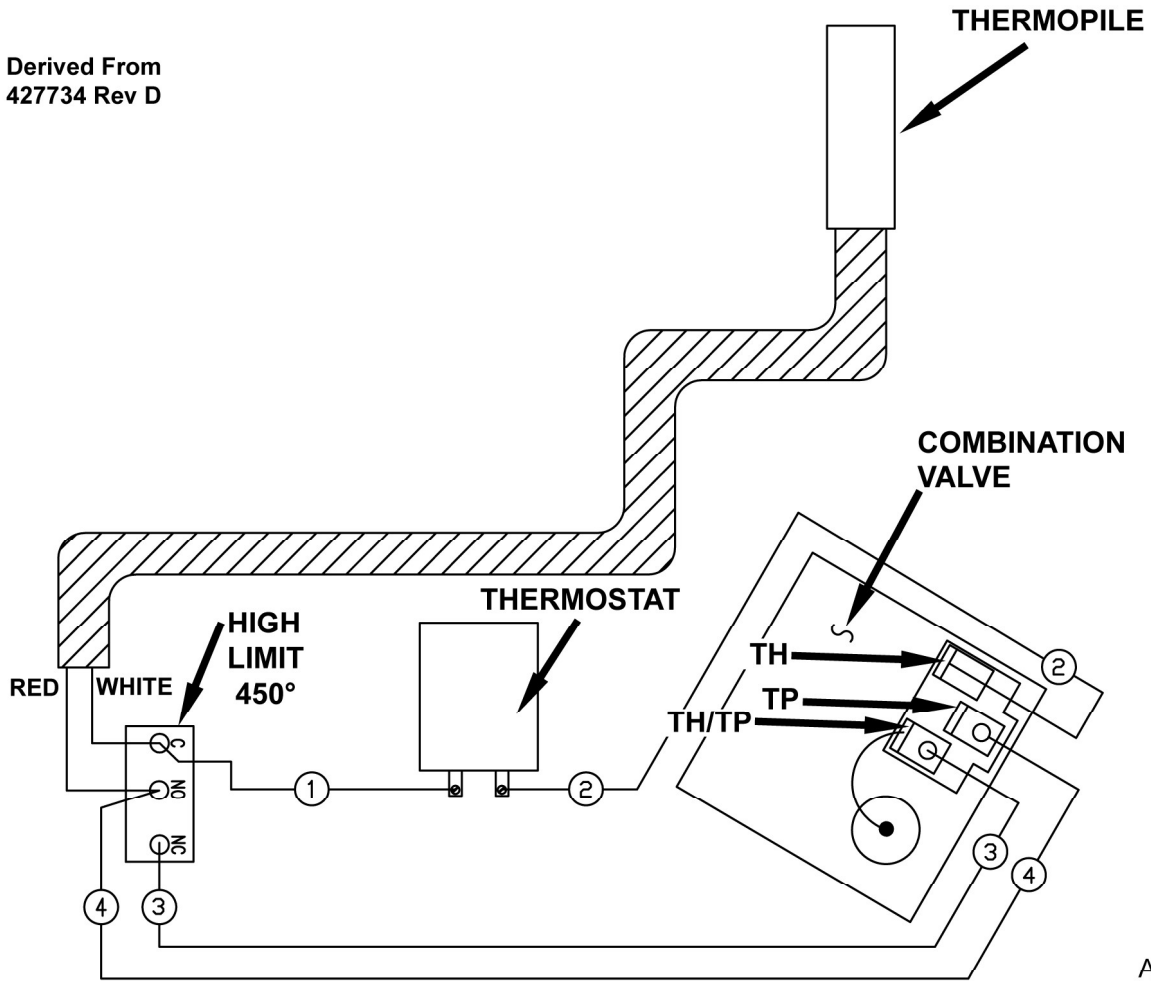


Fig. 41

AI4767