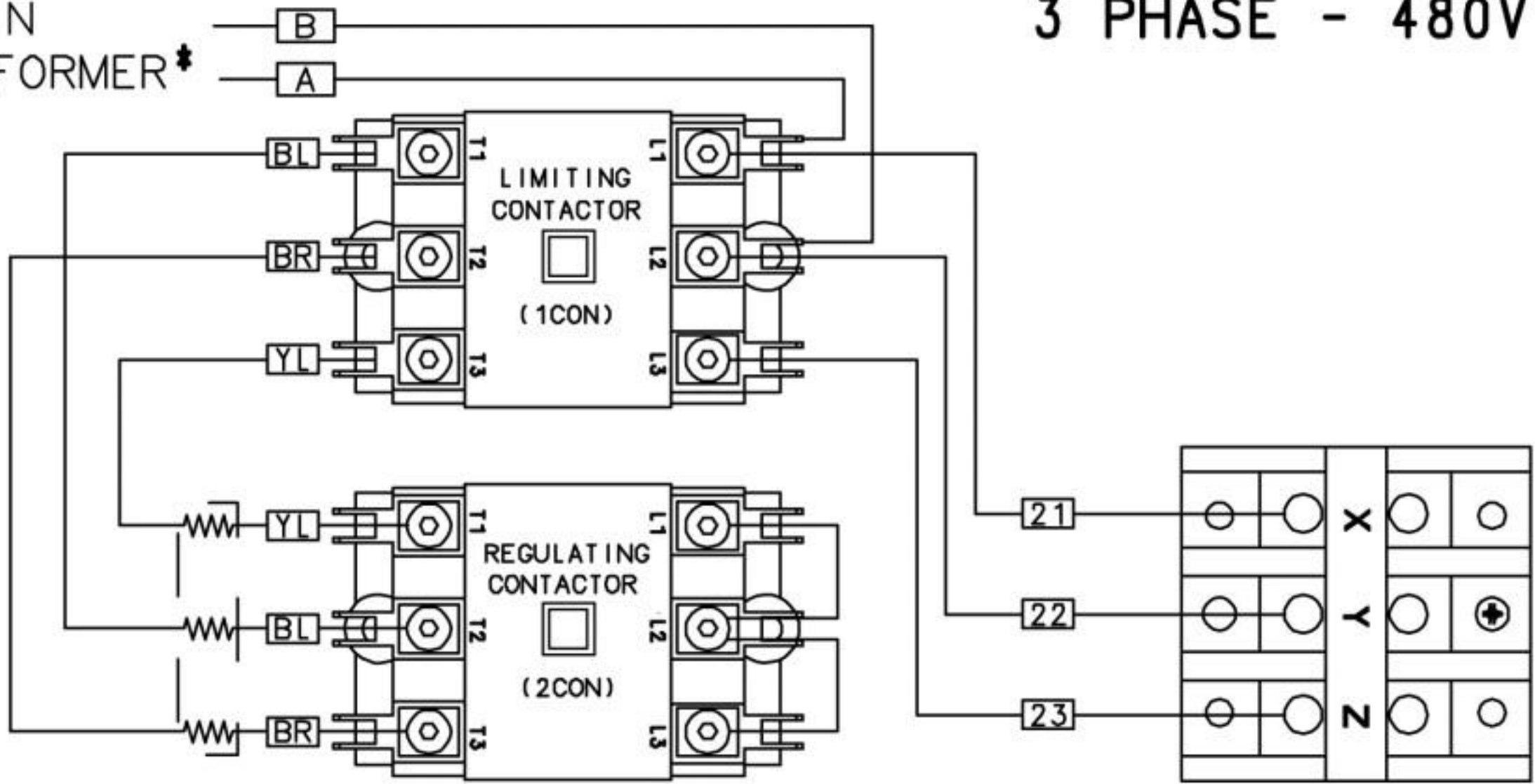


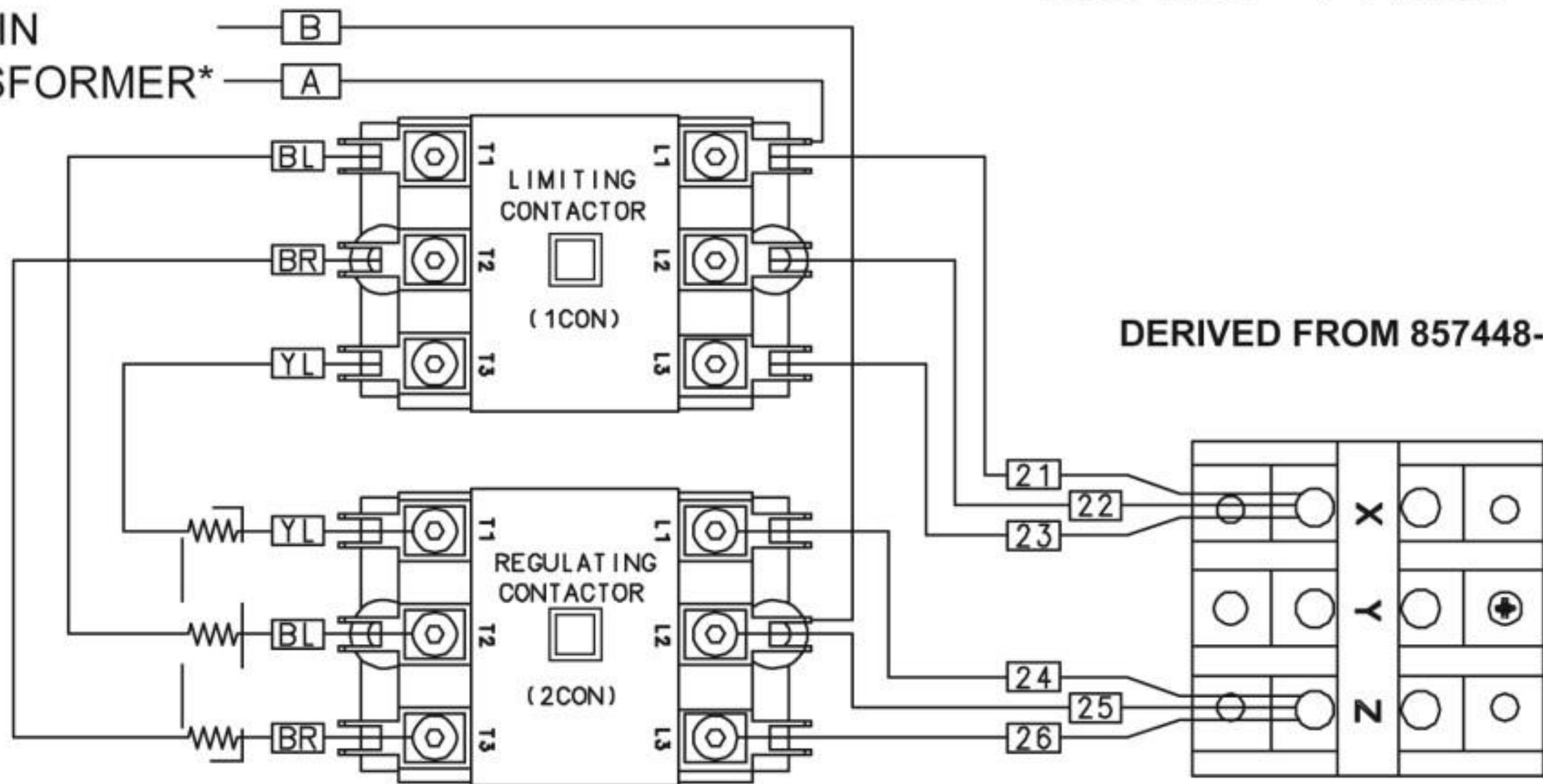
TO MAIN
TRANSFORMER *

3 PHASE - 480V



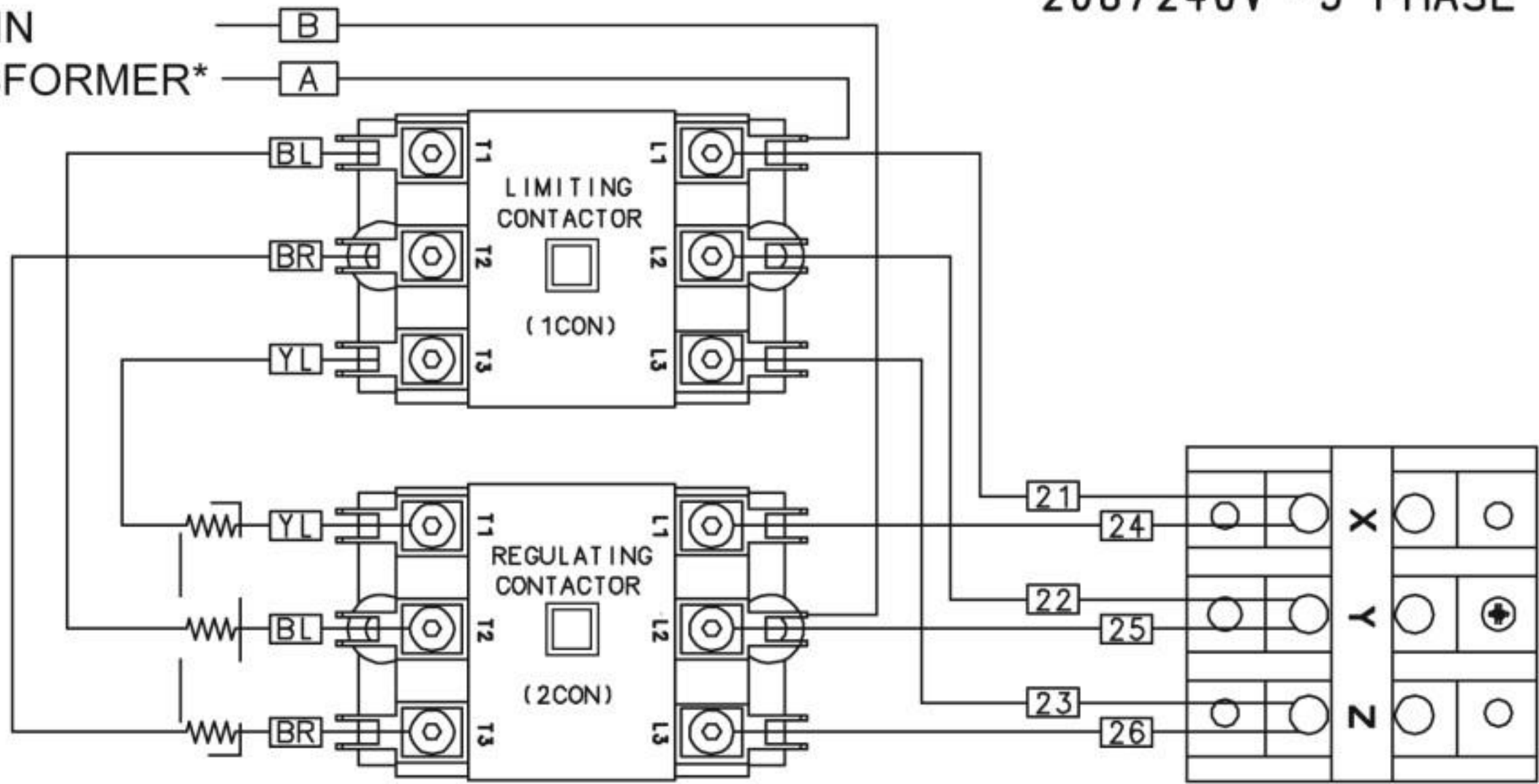
208/240V - 1 PHASE

TO MAIN
TRANSFORMER*



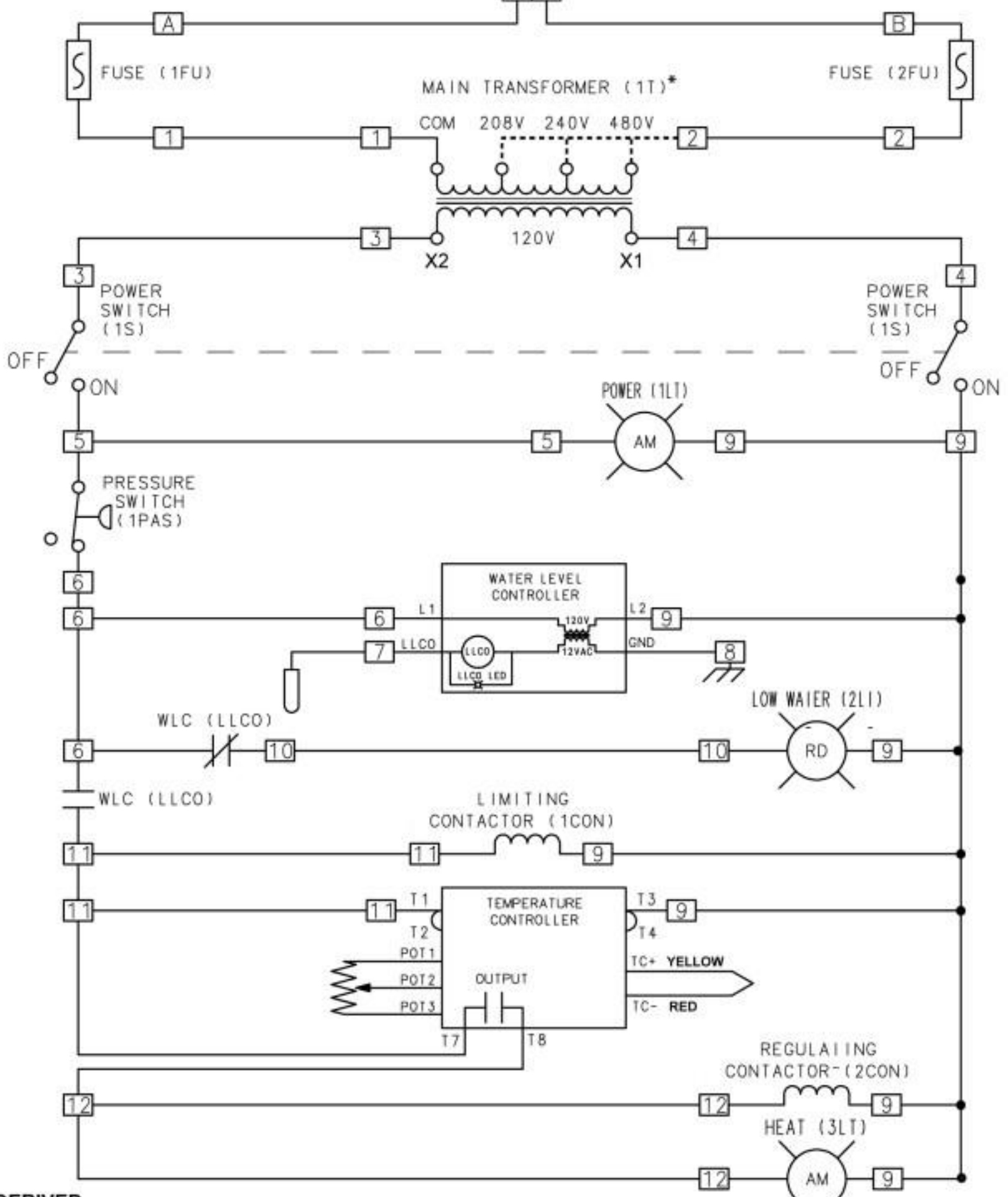
208/240V - 3 PHASE

TO MAIN
TRANSFORMER*



L1 L2

* PRIMARY TAPS OF MAIN TRANSFORMER MUST BE CONNECTED ACCORDING TO THE DATA PLATE VOLTAGE AND THE ACTUAL VOLTAGE SUPPLY.



DERIVED FROM: 857447-1

MODELS: K6ETT, K12ETT AND K20ETT