

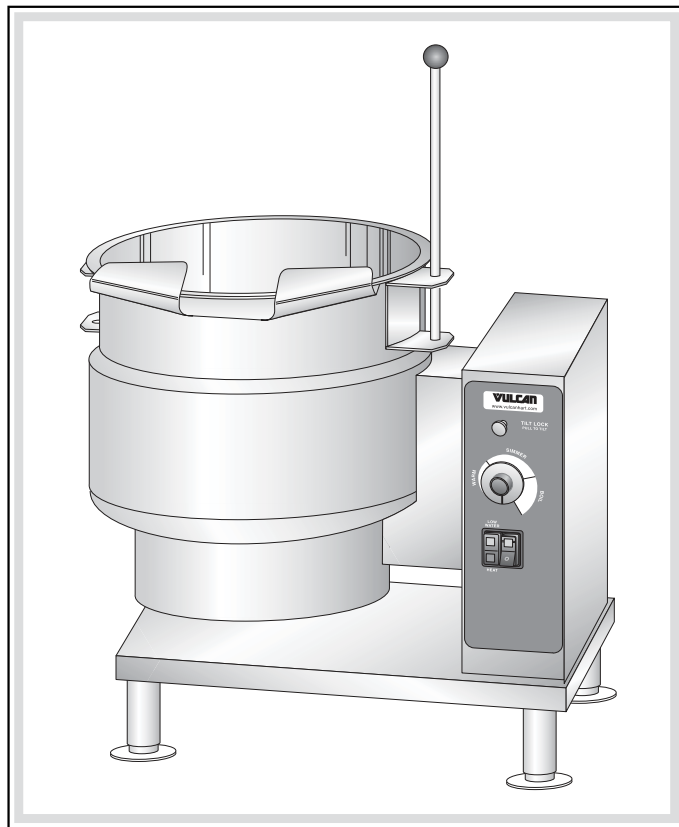
# **VULCAN**

## **CATALOG OF REPLACEMENT PARTS**

### ***ELECTRIC COUNTERTOP TILTING KETTLE***

#### **MODELS**

<b><i>K6ETT</i></b>	<b><i>ML-136067</i></b>
<b><i>K12ETT</i></b>	<b><i>ML-136068</i></b>
<b><i>K20ETT</i></b>	<b><i>ML-136069</i></b>

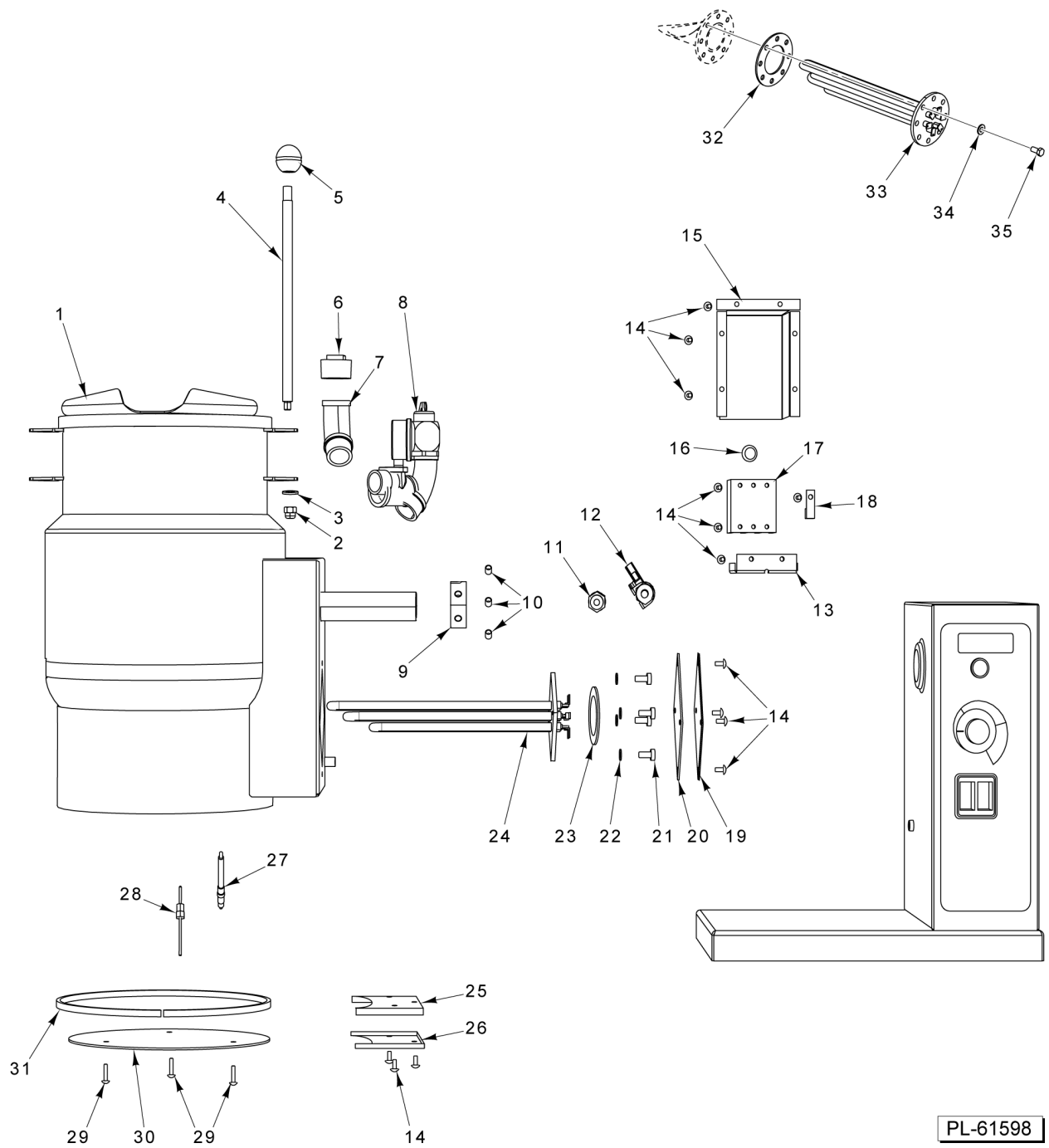


**For additional information on Vulcan or to locate an authorized parts and service provider in your area, visit our website at [www.vulcanequipment.com](http://www.vulcanequipment.com)**



**Table of Contents**

5	K6ETT & K12ETT ASSEMBLY
7	K6ETT & K12ETT CONTROL PANEL
9	K20ETT ASSEMBLY
11	K20ETT CONTROL PANEL



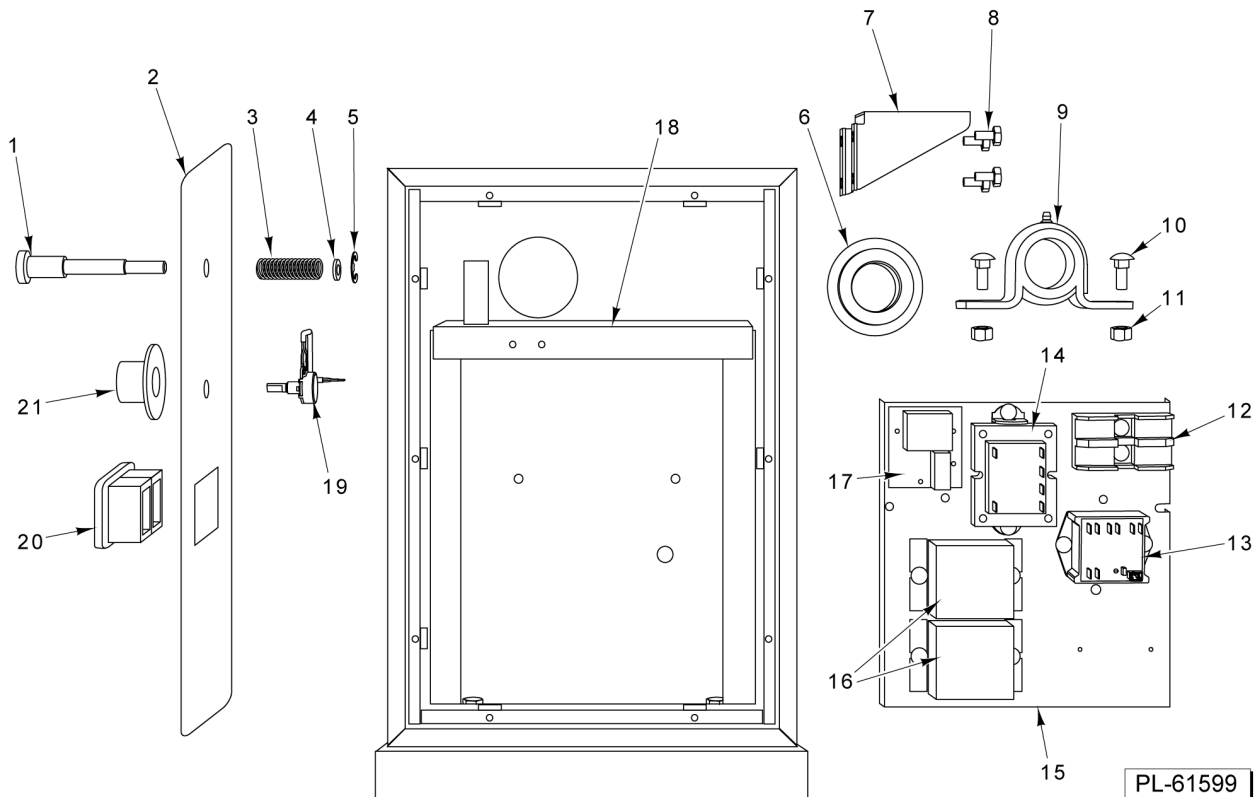
**K6ETT & K12ETT ASSEMBLY**

## K6ETT &amp; K12ETT ASSEMBLY

ILLUS.	PART NO.	NAME OF PART	AMT.
PL-61598	00-855999-00001	Kettle Assy. (K6ETT).....	1
	00-856101-00002	Kettle Assy. (K12ETT).....	1
2	NS-025-16	Acorn Nut 3/8-16.....	1
3	WL-006-27	Lockwasher 3/8 Helical (SST).....	1
4	00-856017-00001	Tilt Handle.....	1
5	00-853285-00001	Knob - Press On.....	1
6	FP-028-15	Pipe Plug 1/2 Sq. Hd. (Brass).....	1
7	FP-015-17	Elbow - Pipe 1/2 x 90 Deg. (Brass).....	1
8	00-855954-00001	Gauge, Pressure.....	1
	00-855968-00001	Valve - Relief (50 PSI).....	1
	FP-015-17	Elbow - Pipe 1/2 x 90 Deg. (Brass).....	1
	FP-040-42	Pipe 1/2 x 1-1/8 TBE (Brass).....	1
	FP-069-06	Tee - Pipe 1/2 x 1/2 x 1/4 (Brass).....	1
9	00-855975-00001	Collar - Pivot Stop.....	1
10	SC-047-42	Set Screw 3/8-16 x 1/2 Soc. Hdls., Cup Pt.....	3
11	FP-090-36	Coupling - Anchor 1/8 (Brass).....	1
12	00-856045-00001	Switch - Pressure.....	1
13	00-856528-00001	Bracket - Power Supply.....	1
14	SC-066-06	Mach. Screw 10-24 x 1/2 Phil. Truss Hd. (SST).....	AR
15	00-856529-00001	Cover - Terminal Block.....	1
16	FE-016-32	Bushing - Snap (Electrical).....	1
17	00-410472-00008	Block - Terminal (3-Pole).....	1
18	FE-023-88	Lug - Ground.....	1
19	00-857113-00001	Cover - Heater Access (K6ETT).....	1
	00-857129-00001	Cover, Heater Access (K12ETT).....	1
20	00-857114-00001	Gasket - Heater Access (K6ETT).....	1
	00-857130-00001	Gasket, Heater Cover (K12ETT).....	1
21	SC-041-11	Cap Screw 5/16-18 x 3/4 Hex Hd. (SST) (Before S/N 463030197).....	AR
22	WL-006-23	Lockwasher 5/16 Helical (SST) (Before S/N 463030197).....	AR
23	00-855940-00001	Seal - Heating Element (K6ETT) (Before S/N 463030197).....	1
	00-857131-00001	Gasket, Heating Element (K12ETT) (Before S/N 463030197).....	1
24	00-856572-00001	Element - Heating (208/240 VAC) (K6ETT) (Before S/N 463030197).....	1
	00-856572-00002	Element - Heating (480 VAC) (K6ETT) (Before S/N 463030197).....	1
	00-856572-00003	Element - Heating (380 VAC) (K6ETT) (Before S/N 463030197).....	1
	00-856573-00001	Element - Heating (208/240 VAC) (K12ETT) (Before S/N 463030197).....	1
	00-856573-00002	Element - Heating (480 VAC) (K12ETT) (Before S/N 463030197).....	1
	00-856573-00003	Element - Heating (380 VAC) (K12ETT) (Before S/N 463030197).....	1
25	00-856025-00001	Gasket - Element Bottom Cover (K6ETT).....	1
	00-856098-00001	Gasket - Element Bottom Cover (K12ETT).....	1
26	00-856024-00001	Cover - Element Bottom (K6ETT).....	1
	00-856099-00001	Cover - Element Bottom (K12ETT).....	1
27	00-855856-00001	Probe - Water Level.....	1
28	00-856042-00001	Sensor - Temperature.....	1
29	SC-093-27	Mach. Screw 10-24 x 7/8 Phil. Truss Hd. (SST).....	3
30	00-856021-00001	Cover (Bottom) (K6ETT).....	1
	00-856095-00001	Cover (Bottom) (K12ETT).....	1
31	00-856022-00001	Gasket - Bottom Cover (K6ETT).....	1
	00-856022-00002	Gasket - Bottom Cover (K12ETT).....	1
32	00-858771-00001	Gasket (Starting S/N 463030197).....	1
33	00-858755-00001	Element - Heating (480 VAC) (7.5 Kw) (K6ETT) (Starting S/N 463030197).....	1
	00-858756-00001	Element - Heating (208/240 VAC) (10 Kw) (K6ETT) (Starting S/N 463030197).....	1
	00-858754-00001	Element - Heating (208/240 VAC) (12/16 Kw) (K12ETT) (Starting S/N 463030197).....	1
	00-858757-00001	Element - Heating (480 VAC) (12 Kw) (8 Bolt Flange) (K12ETT) (Starting S/N 463030197).....	1
34	00-858769-00001	Washer (Starting S/N 463030197).....	8
35	00-858770-00001	Screw (Starting S/N 463030197).....	8

- |    |                 |                           |
|----|-----------------|---------------------------|
| 22 | SD-019-29       | Screw 6-20 x 1/2          |
| 23 | 00-854766-00001 | Nut - Speed 3 Type        |
| 24 | 00-857123-00001 | Cover - Control Box       |
| 25 | 00-856574-00001 | Kit - Control Box Seal    |
| 26 | 00-857410-00001 | Harness - Main            |
| 27 | 00-857417-00001 | Harness - Pressure Switch |
| 28 | 00-857418-00001 | Harness - Heating Element |

**PARTS NOT ILLUSTRATED**

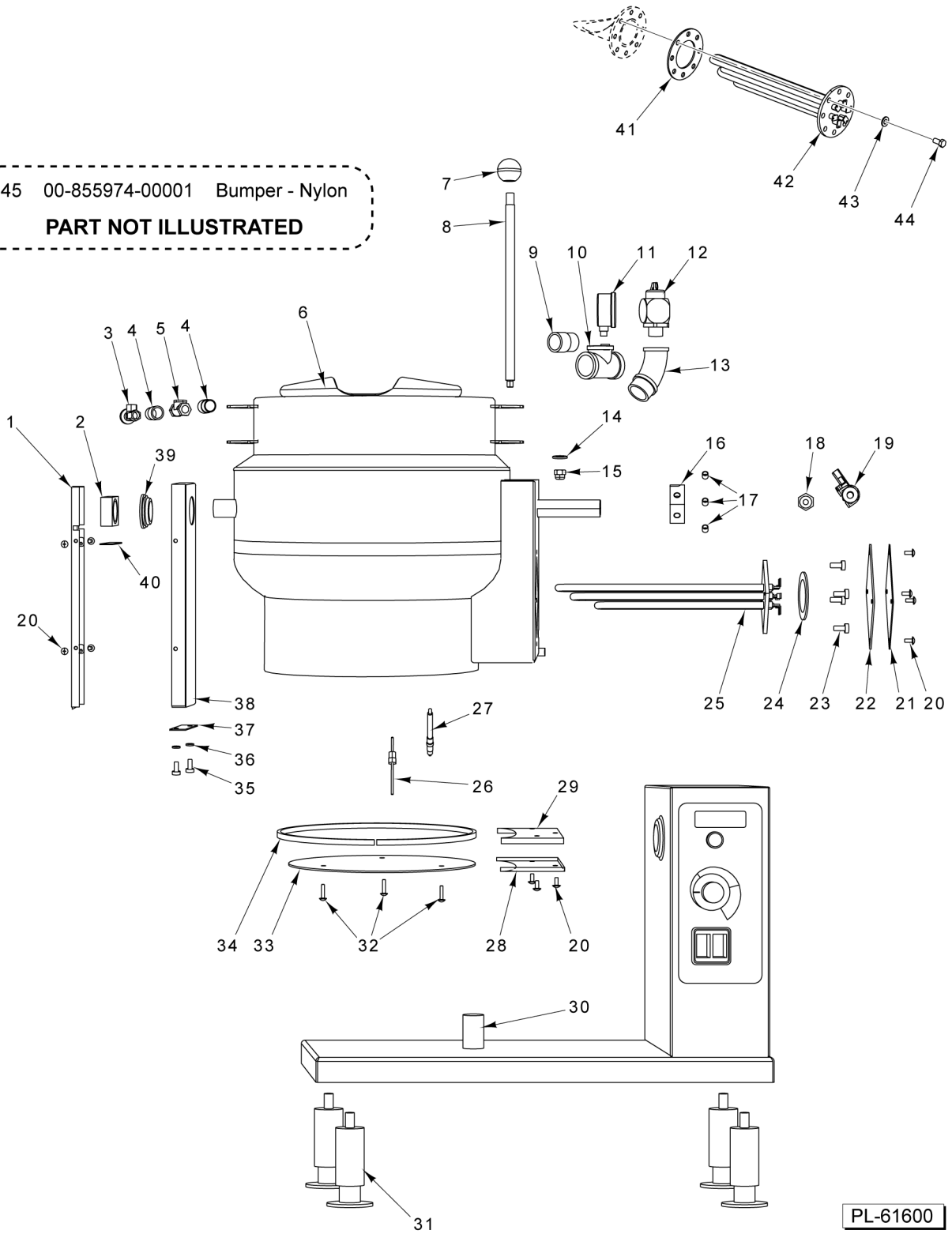


**K6ETT & K12ETT CONTROL PANEL**

**K6ETT & K12ETT CONTROL PANEL**

ILLUS.	PART NO.	NAME OF PART	AMT.
PL-61599			
1	00-856026-00001	Pivot Stop.....	1
2	00-855801-00001	Overlay.....	1
3	00-855977-00001	Spring - Compression.....	1
4	WS-006-44	Washer (SST).....	2
5	RR-006-22	Retaining Ring 1/4 In. (SST).....	1
6	00-855909-00001	Gasket - Shaft.....	1
7	00-855902-00001	Bracket - Faucet.....	1
8	SC-041-50	Cap Screw 1/4-20 x 1/2 Hex Hd. (SST).....	4
9	00-855901-00001	Bearing.....	2
10	SC-082-38	Bolt Square Neck 3/8-16 x 1.....	4
11	NS-015-13	Nut 3/8-16 Hex (SST).....	4
12	00-855028-00001	Block - Fuse.....	1
13	00-857112-00001	Controller - Temperature.....	1
14	00-294500-00033	Transformer(60 VA)(208/240/60/1)(208/240/60/3)(480/60/3)(200/50/3)(Electric Booster).....	1
15	00-855904-00001	Panel - Electrical Controls.....	1
16	00-840115	Contactora (25 Amp.).....	2
17	00-844070-00001	Control - Low Water.....	1
18	00-857120-00001	Support - Bearing.....	1
19	00-857389-00001	Potentiometer.....	1
20	00-855797-00005	Switch Assy. (Power with Indicator Lights).....	1
21	00-854647-00001	Knob - Control.....	1
22	SD-019-29	Self-Tapping Screw 6-20 x 1/2 Phil. Pan Hd., Type B.....	AR
23	00-854766-00001	Nut - Speed 3 Type.....	AR
24	00-857123-00001	Cover - Control Box.....	1
25	00-856574-00001	Kit - Control Box Seal.....	1
26	00-857410-00001	Harness - Main.....	1
27	00-857417-00001	Harness - Pressure Switch.....	1
28	00-857418-00001	Harness - Heating Element.....	1

45 00-855974-00001 Bumper - Nylon  
**PART NOT ILLUSTRATED**



**K20ETT ASSEMBLY**

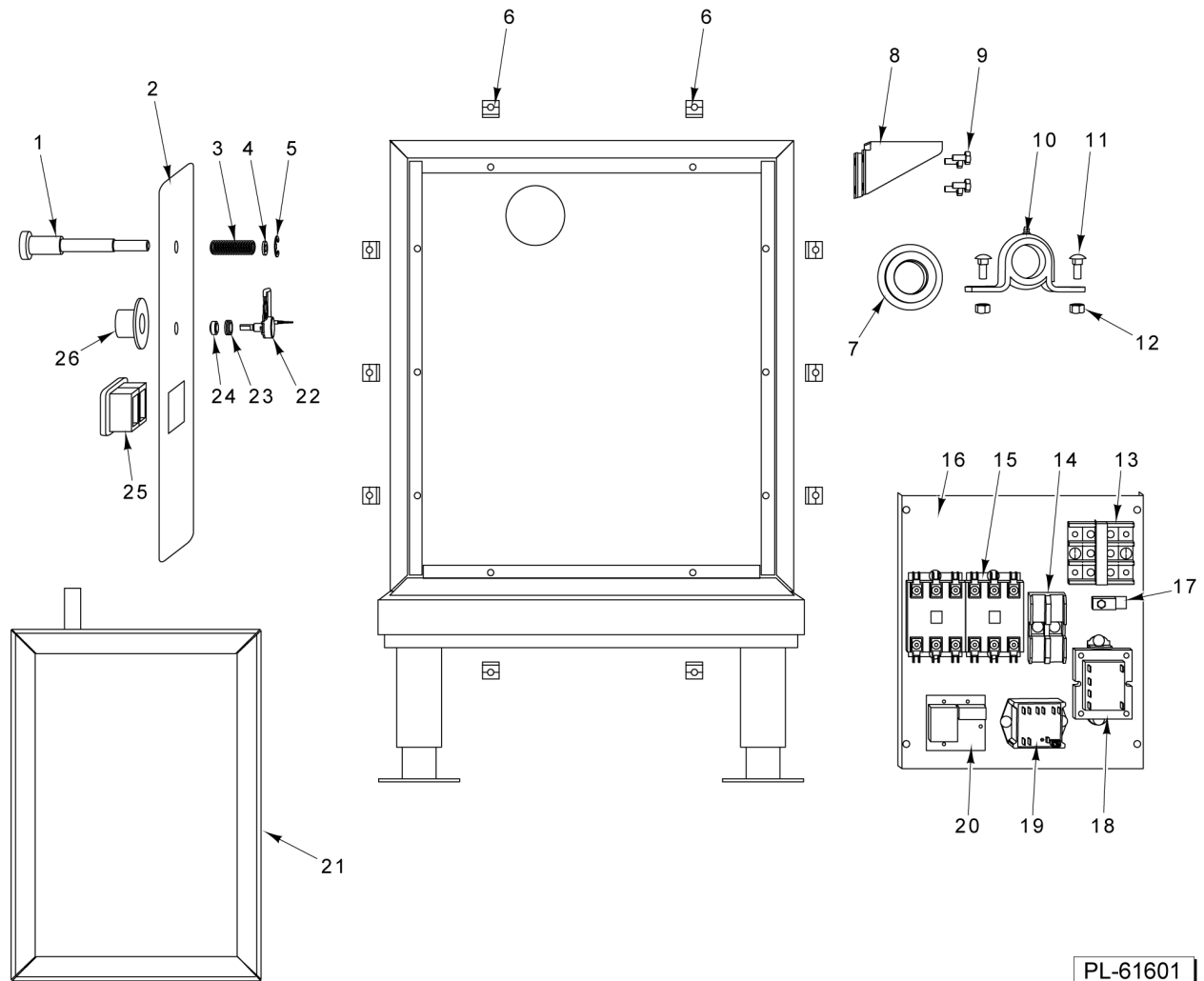
PL-61600

## K20ETT ASSEMBLY

ILLUS. PL-61600	PART NO.	NAME OF PART	AMT.
1	00-855809-00001	Cover Assy.....	1
2	00-855808-00001	Bearing Housing Assy.....	1
3	00-833501	Valve 1/2 Angle.....	1
4	FP-054-08	Pipe 1/2 x 1-1/8 TBE (SST).....	4
5	00-833648-00002	Valve - Swing Check 1/2" (Brass).....	1
6	00-855912-00001	Kettle Assy.....	1
7	00-853285-00001	Knob - Press On.....	1
8	00-855936-00001	Handle - Tilt.....	1
9	FP-040-42	Pipe 1/2 x 1-1/8 TBE (Brass).....	1
10	FP-069-06	Tee - Pipe 1/2 x 1/2 x 1/4 (Brass).....	1
11	00-855954-00001	Gauge, Pressure.....	1
12	00-855968-00001	Valve - Relief (50 PSI).....	1
13	FP-015-17	Elbow - Pipe 1/2 x 90 Deg. (Brass).....	1
14	WL-006-35	Lockwasher 1/2 Light.....	1
15	NS-049-14	Nut Acorn 1/2-16.....	1
16	00-855975-00001	Collar - Pivot Stop.....	1
17	SC-047-42	Set Screw 3/8-16 x 1/2 Soc. Hdls., Cup Pt.....	3
18	FP-090-36	Coupling - Anchor 1/8 (Brass).....	1
19	00-856045-00001	Switch - Pressure.....	1
20	SC-066-06	Mach. Screw 10-24 x 1/2 Phil. Truss Hd. (SST).....	AR
21	00-857129-00001	Cover, Heater Access.....	1
22	00-857130-00001	Gasket, Heater Cover.....	1
23	SC-041-11	Cap Screw 5/16-18 x 3/4 Hex Hd. (SST) (Before S/N 463030197).....	AR
24	00-857131-00001	Gasket, Heating Element (Before S/N 463030197).....	1
25	00-856573-00001	Element - Heating (208/240 VAC) (Before S/N 463030197).....	1
	00-856573-00002	Element - Heating (480 VAC) (Before S/N 463030197).....	1
	00-856573-00003	Element - Heating (380 VAC) (Before S/N 463030197).....	1
26	00-856042-00001	Sensor - Temperature.....	1
27	00-855856-00001	Probe - Water Level.....	1
28	00-855961-00001	Cover - Heating Element Bottom.....	1
29	00-855962-00001	Gasket - Heating Element Bottom.....	1
30	00-857355-00001	Support - Kettle.....	1
31	00-881526	Leg - With 611 Adjustable Flange Foot.....	4
32	SC-093-27	Mach. Screw 10-24 x 7/8 Phil. Truss Hd. (SST).....	3
33	00-855958-00001	Cover - Bottom.....	1
34	00-856022-00003	Gasket - Bottom Cover.....	1
35	SC-041-28	Cap Screw 3/8-16 x 3/4 Hex Hd. (SST).....	2
36	WL-006-27	Lockwasher 3/8 Helical (SST).....	4
37	00-856576-00001	Shim.....	1
38	00-855804-00001	Support.....	1
39	00-855909-00001	Gasket - Shaft.....	1
40	00-855805-00001	Support.....	1
41	00-858771-00001	Gasket (Starting S/N 463030197).....	1
42	00-858754-00001	Element - Heating (208/240 VAC) (12/16 Kw) (Starting S/N 463030197).....	1
	00-858757-00001	Element - Heating (480 VAC) (12 Kw) (8 Bolt Flange) (Starting S/N 463030197).....	1
43	00-858769-00001	Washer (Starting S/N 463030197).....	8
44	00-858770-00001	Screw (Starting S/N 463030197).....	8
45	00-855974-00001	Bumper - Nylon.....	1

- 27 SD-019-29 Screw 6-20 x 1/2
- 28 00-855911-00001 Cover - Control Box
- 29 00-856575-00001 Kit - Control Box Seal
- 30 00-857410-00002 Harness - Main
- 31 00-857417-00002 Harness - Pressure Switch
- 32 00-857418-00002 Harness - Heating Element

**PARTS NOT ILLUSTRATED**



PL-61601

**K20ETT CONTROL PANEL**

**K20ETT CONTROL PANEL**

ILLUS. PL-61601	PART NO.	NAME OF PART	AMT.
1	00-857359-00001	Pivot.....	1
2	00-855801-00001	Overlay.....	1
3	00-855977-00001	Spring - Compression.....	1
4	WS-008-48	Washer (SST).....	2
5	RR-012-34	Ring - Retaining 1/4 In.....	1
6	00-854766-00001	Nut - Speed 3 Type.....	10
7	00-855909-00001	Gasket - Shaft.....	1
8	00-855902-00001	Bracket - Faucet.....	1
9	SC-041-50	Cap Screw 1/4-20 x 1/2 Hex Hd. (SST).....	4
10	00-855901-00001	Bearing.....	2
11	SC-082-38	Bolt Square Neck 3/8-16 x 1.....	4
12	NS-015-13	Nut 3/8-16 Hex (SST).....	4
13	00-410472-00008	Block - Terminal (3-Pole).....	1
14	00-855028-00001	Block - Fuse.....	1
15	00-857112-00001	Controller - Temperature.....	1
16	00-856149-00001	Panel - Electrical Controls.....	1
17	FE-023-88	Lug - Ground.....	1
18	00-294500-00033	Transformer(60 VA)(208/240/60/1)(208/240/60/3)(480/60/3)(200/50/3)(Electric Booster).....	1
19	00-840115	Contactora (25 Amp.).....	2
20	00-844070-00001	Control - Low Water.....	1
21	00-855896-00001	Bearing Support.....	1
22	00-857389-00001	Potentiometer.....	1
23	00-854667-00001	Bracket.....	1
24	00-854693-00001	Shaft - Rotary Seal.....	1
25	00-855797-00005	Switch Assy. (Power with Indicator Lights).....	1
26	00-854647-00001	Knob - Control.....	1
27	SD-019-29	Self-Tapping Screw 6-20 x 1/2 Phil. Pan Hd., Type B.....	AR
28	00-855911-00001	Cover - Control Box.....	1
29	00-856575-00001	Kit - Control Box Seal.....	1
30	00-857410-00002	Harness - Main.....	1
31	00-857417-00002	Harness - Pressure Switch.....	1
32	00-857418-00002	Harness - Heating Element.....	1

