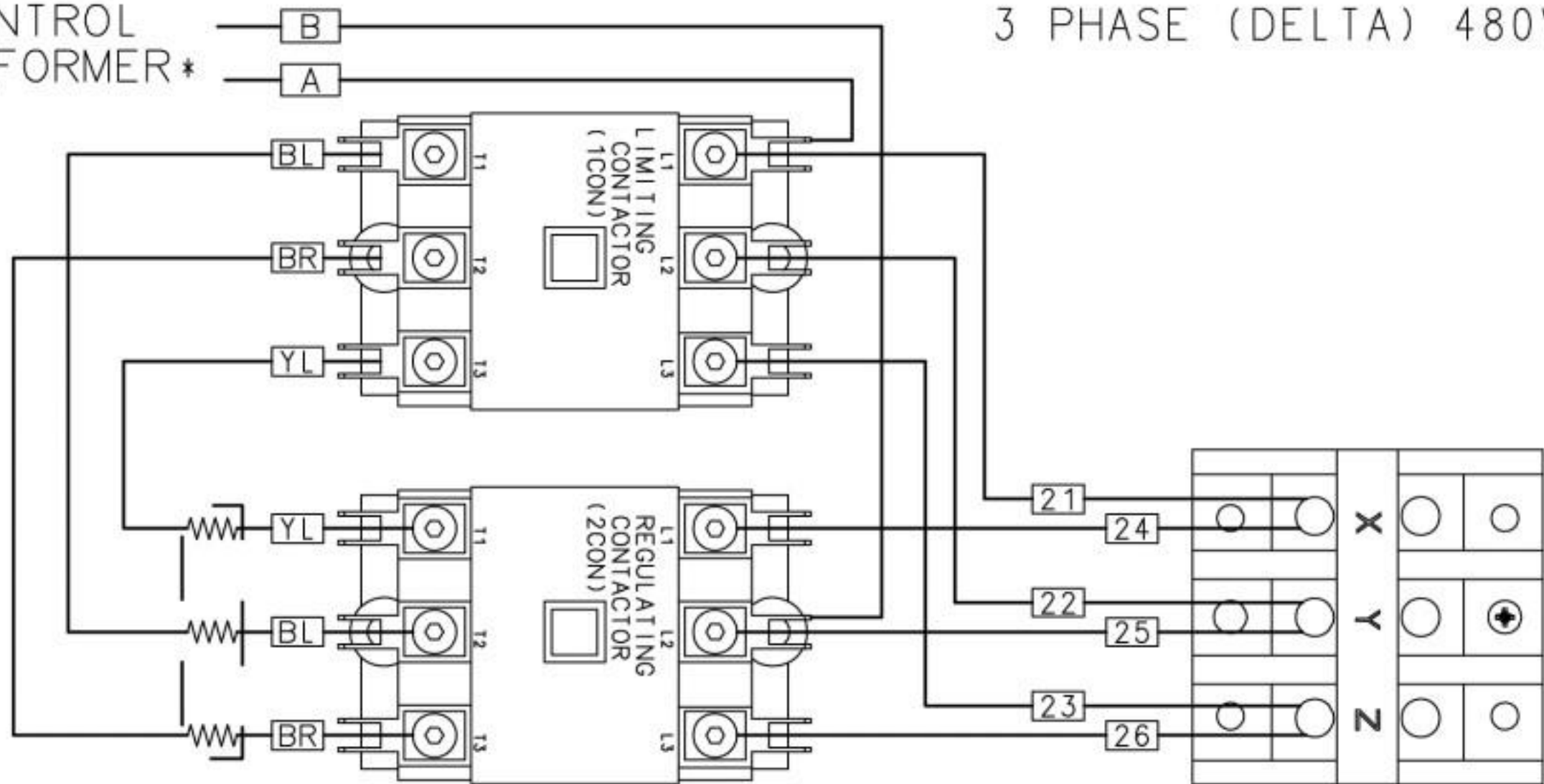


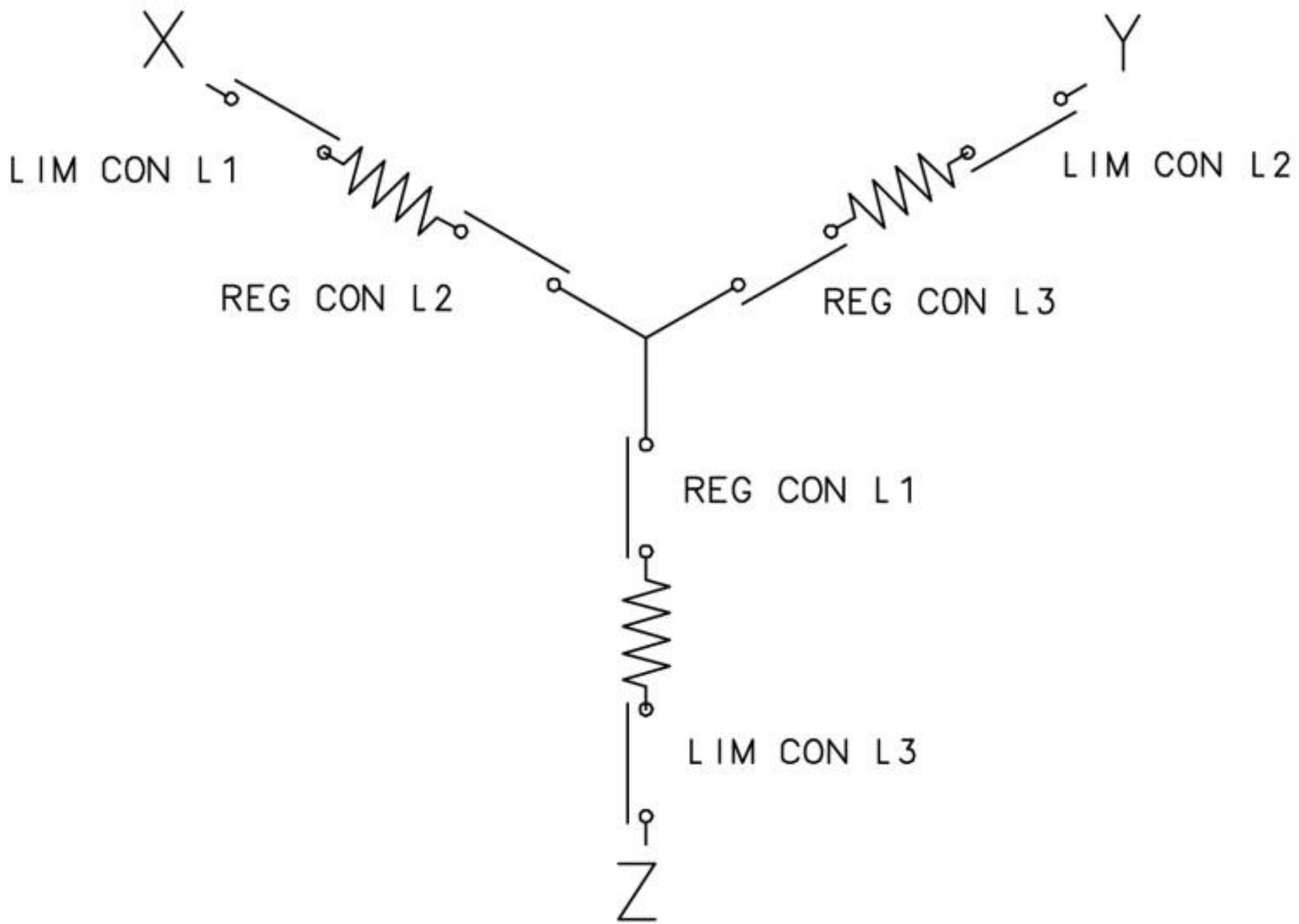
**DERIVED FROM
00-857449-2**

TO CONTROL
TRANSFORMER *

3 PHASE (DELTA) 480V

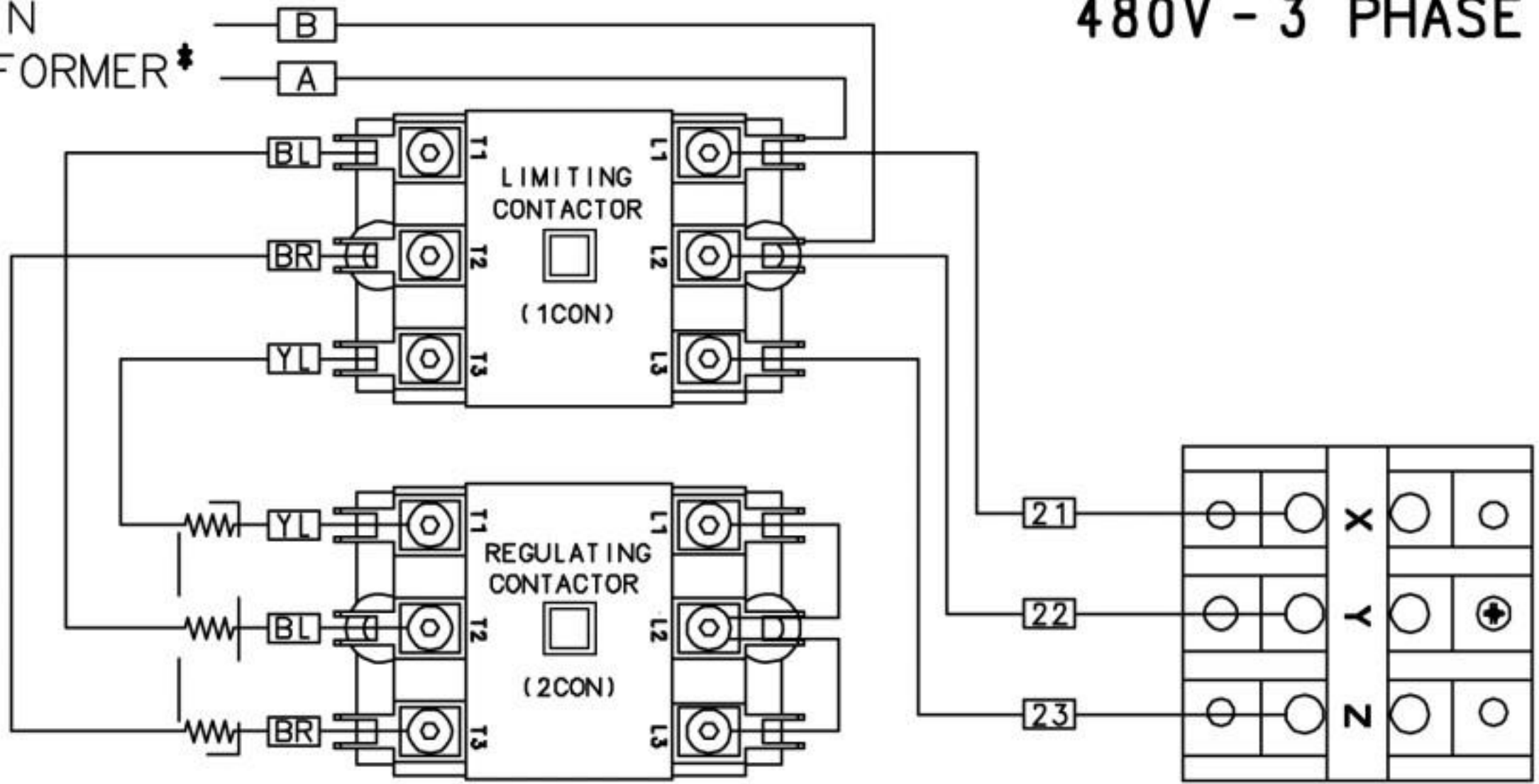


WORKING DIAGRAM 3-PII WTL



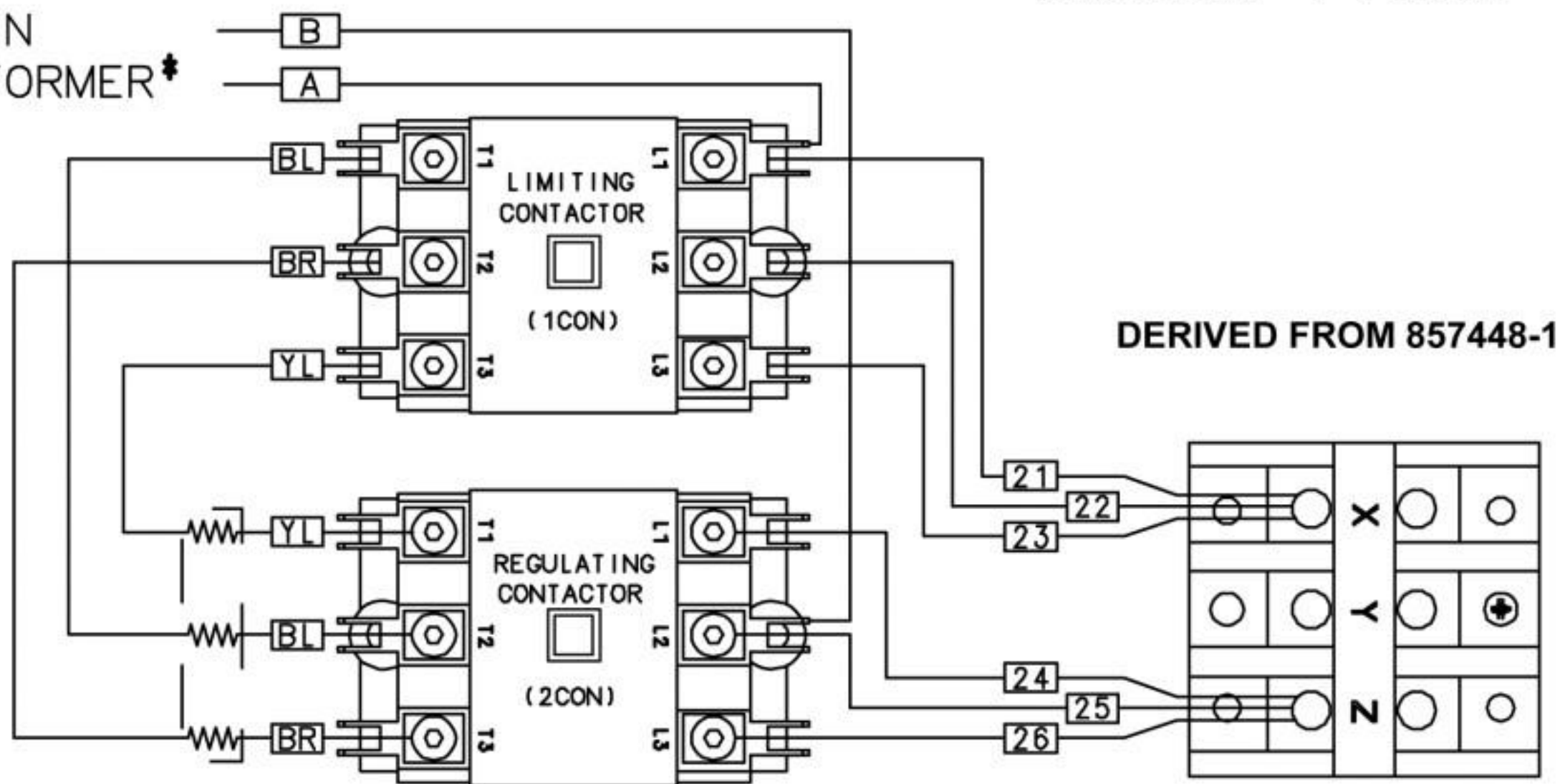
480V - 3 PHASE

TO MAIN TRANSFORMER ⚡



208/240V - 1 PHASE

TO MAIN TRANSFORMER*



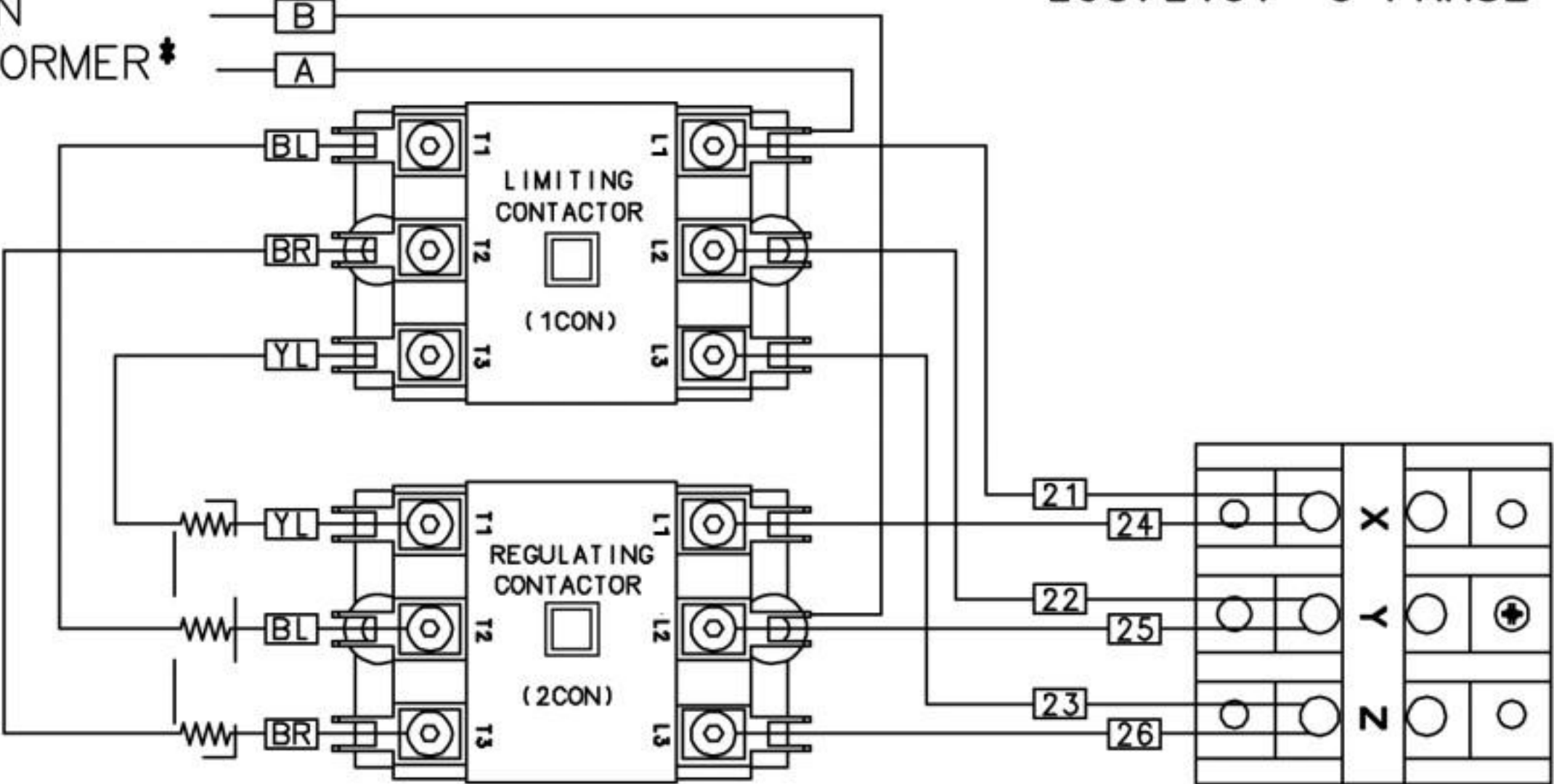
* MAIN TRANSFORMER PRIMARY MUST BE CONNECTED ACCORDING TO THE KETTLE DATA PLATE VOLTAGE AND THE ACTUAL VOLTAGE SUPPLY

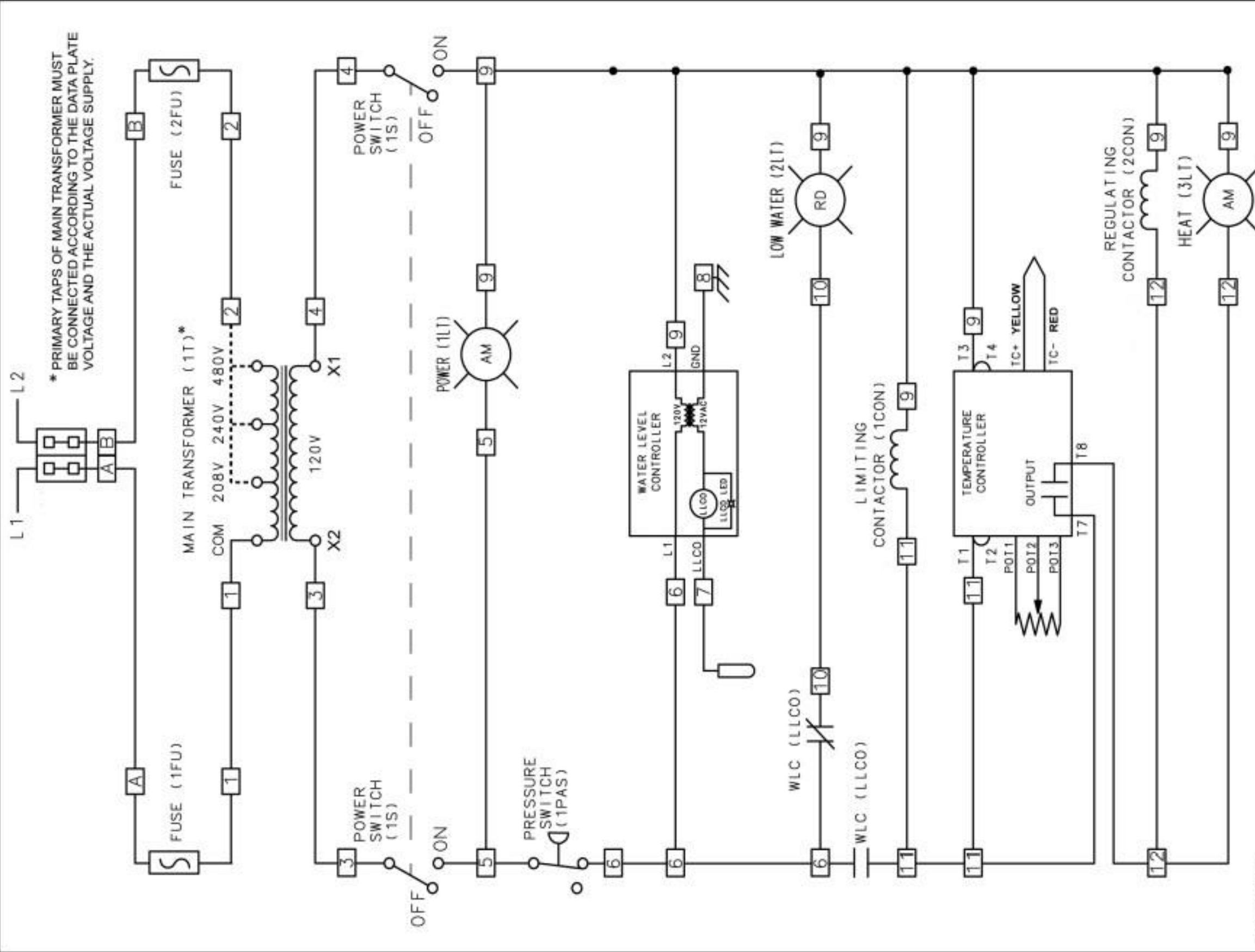
MODELS - K20EL/K20ELT, K40EL/K40ELT, K60EL/K60ELT

AI3432

208/240V - 3 PHASE

TO MAIN TRANSFORMER*





DERIVED FROM: 857447-1

MODELS - K20EL/K20ELT, K40EL/K40ELT, K60EL/K60ELT

AI3431

Fig. 39

WATER LEVEL CONTROL (WLC LLCO)

