

VULCAN

CATALOG OF REPLACEMENT PARTS

ELECTRIC 2/3 JACKETED STATIONARY & TILTING KETTLES

MODELS

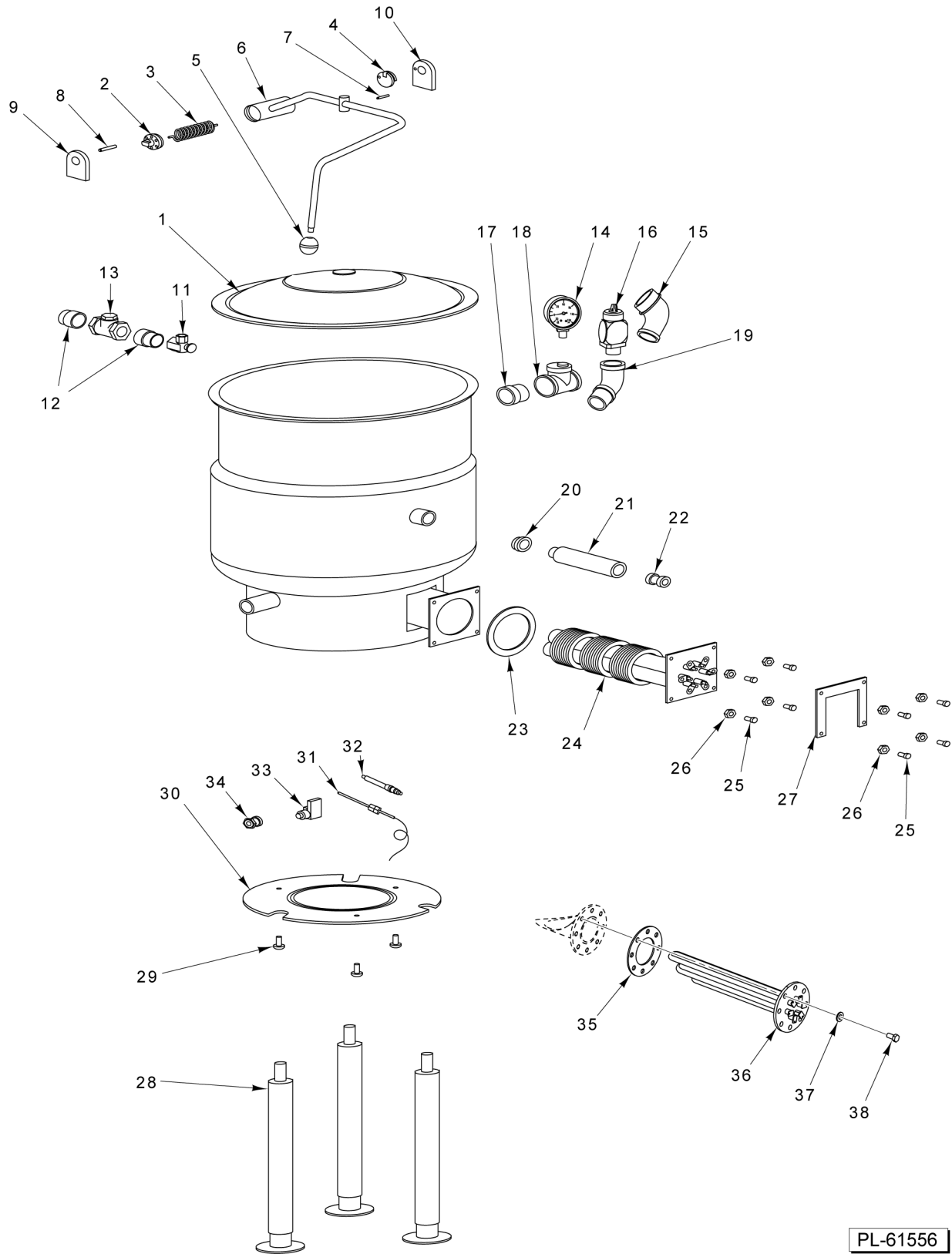
<i>ML-136073</i>	<i>K20EL</i>
<i>ML-136077</i>	<i>K20ELT</i>
<i>ML-136074</i>	<i>K40EL</i>
<i>ML-136078</i>	<i>K40ELT</i>
<i>ML-136075</i>	<i>K60EL</i>
<i>ML-136079</i>	<i>K60ELT</i>



For additional information on Vulcan-Hart Company or to locate an authorized parts and service provider in your area, visit our website at www.vulcanequipment.com

Table of Contents

5	K20EL, K40EL AND K60EL COMPLETE ASSEMBLY
9	K20EL, K40EL, AND K60EL CONTROL PANEL
11	K20ELT, K40ELT, AND K60ELT ASSEMBLY
15	K20ELT, K40ELT, AND K60ELT CONTROL PANEL
17	OPTIONAL SPRING ASSIST COVER
19	DRAW-OFF VALVE ASSEMBLY (2 INCH)
21	DRAW-OFF VALVE ASSEMBLY (3 INCH)
23	PLUG VALVE (2 INCH)



PL-61556

K20EL, K40EL AND K60EL COMPLETE ASSEMBLY

K20EL, K40EL AND K60EL COMPLETE ASSEMBLY

ILLUS.	PART NO.	NAME OF PART	AMT.
1	00-856490-00002	Lid Assy. 20 Gal - K20EL.....	1
	00-856495-00002	Lid Assy. 40 Gal - K40EL.....	1
	00-856500-00002	Lid Assy. 60 Gal - K60EL.....	1
2	00-853292-00001	Disc - Tension Adjustment.....	1
3	00-853289-00001	Spring - Torsion.....	1
4	00-853293-00001	Disc - Rotary Stop.....	1
5	00-853285-00001	Knob - Press On.....	1
6	00-856485-00001	NLA - Obsolete--Weldment, Handle, 20 Gal - K20EL.....	1
	00-856491-00001	Weldment, Handle, 40 Gal - K40EL.....	1
	00-856496-00001	Weldment, Handle, 60 Gal - K60EL.....	1
7	RP-004-31	Roll Pin 1/4 x 1.....	1
8	00-853284-00001	Pin - Lock.....	1
9	00-853286-00001	Plate - Front.....	1
10	00-855220-00002	Plate - Rear Angle.....	1
11	00-833501	Valve 1/2 Angle.....	1
12	FP-054-08	Pipe, 1/2" X 1.125.....	2
13	00-833648-00002	Valve - Swing Check 1/2" (Brass).....	1
14	00-855954-00001	Gauge, Pressure.....	1
15	FP-015-24	Elbow - Pipe 3/4 x 90 Deg. (Brass).....	1
16	00-855968-00001	Valve - Relief (50 PSI).....	1
17	FP-041-50	Pipe, 3/4 X 1.125.....	1
18	FP-019-32	Tee 3/4 x 3/4 x 1/2 Reducing Pipe.....	1
19	FP-015-24	Elbow - Pipe 3/4 x 90 Deg. (Brass).....	1
20	00-856566-00001	Grommet.....	1
21	00-857105-00001	Conduit, Liquid Tight.....	1
22	00-857104-00001	Connector, Liquid Tight Conduit.....	1
23	00-857131-00001	Gasket, Heating Element (Before S/N 463030197).....	1
24	00-856185-00001	Kit, 208V 18kW Heating Element K40-K60 EL/ELT (4 Bolt Flange) (includes item 23) (Before S/N 463035423).....	1
	00-856185-00002	Kit, 240V 18kW Heating Element K40-K60 EL/ELT (4 Bolt Flange) (includes item 23) (Before S/N 463035423).....	1
	00-856185-00003	Kit, 480V 18kW Heating Element K40-K60 EL/ELT (4 Bolt Flange) (includes item 23) (Before S/N 463035423).....	1
	00-856573-00001	Kit, 208/240V 12kW Heating Element K20EL/ELT (includes item 23) (Before S/N 463035423).....	1
	00-856573-00002	Kit, 480V 12kW Heating Element K20EL/ELT (includes item 23) (Before S/N 463035423).....	1
	00-856185-00004	Kit, 208V 24kW Heating Element K40-K60 EL/ELT (4 Bolt Flange) (includes item 23) (Before S/N 463035423).....	1
	00-856185-00005	Kit, 240V 24kW Heating Element K40-K60 EL/ELT (4 Bolt Flange) (includes item 23) (Before S/N 463035423).....	1
	00-856185-00006	Kit, 480V 24kW Heating Element K40-K60 EL/ELT (4 Bolt Flange) (includes item 23) (Before S/N 463035423).....	1
25	SC-041-14	Cap Screw 5/16-18 x 1-1/8 Hex Hd. (SST) (includes item 23) (Before S/N 463035423)	8
26	NS-015-11	Nut 5/16-18 Hex (SST) (Before S/N 463035423).....	8
27	00-856432-00001	Control Box - HTG Flange Seal.....	1
28	00-856977-00001	Leg & Flange Foot.....	3
29	SC-066-06	Mach. Screw 10-24 x 1/2 Phil. Truss Hd. (SST).....	3
30	00-856449-00001	Bottom Ring Cover Plate Assembly - K20EL.....	1
	00-856434-00001	Bottom Ring Cover Plate Assembly - K40EL.....	1
	00-856460-00001	Bottom Ring Cover Plate Assembly - K60EL.....	1
31	00-856042-00001	Sensor - Temperature.....	1
32	00-855856-00001	Probe - Water Level.....	1
33	00-856045-00001	Switch - Pressure.....	1
34	FP-090-36	Coupling - Anchor 1/8 (Brass).....	1

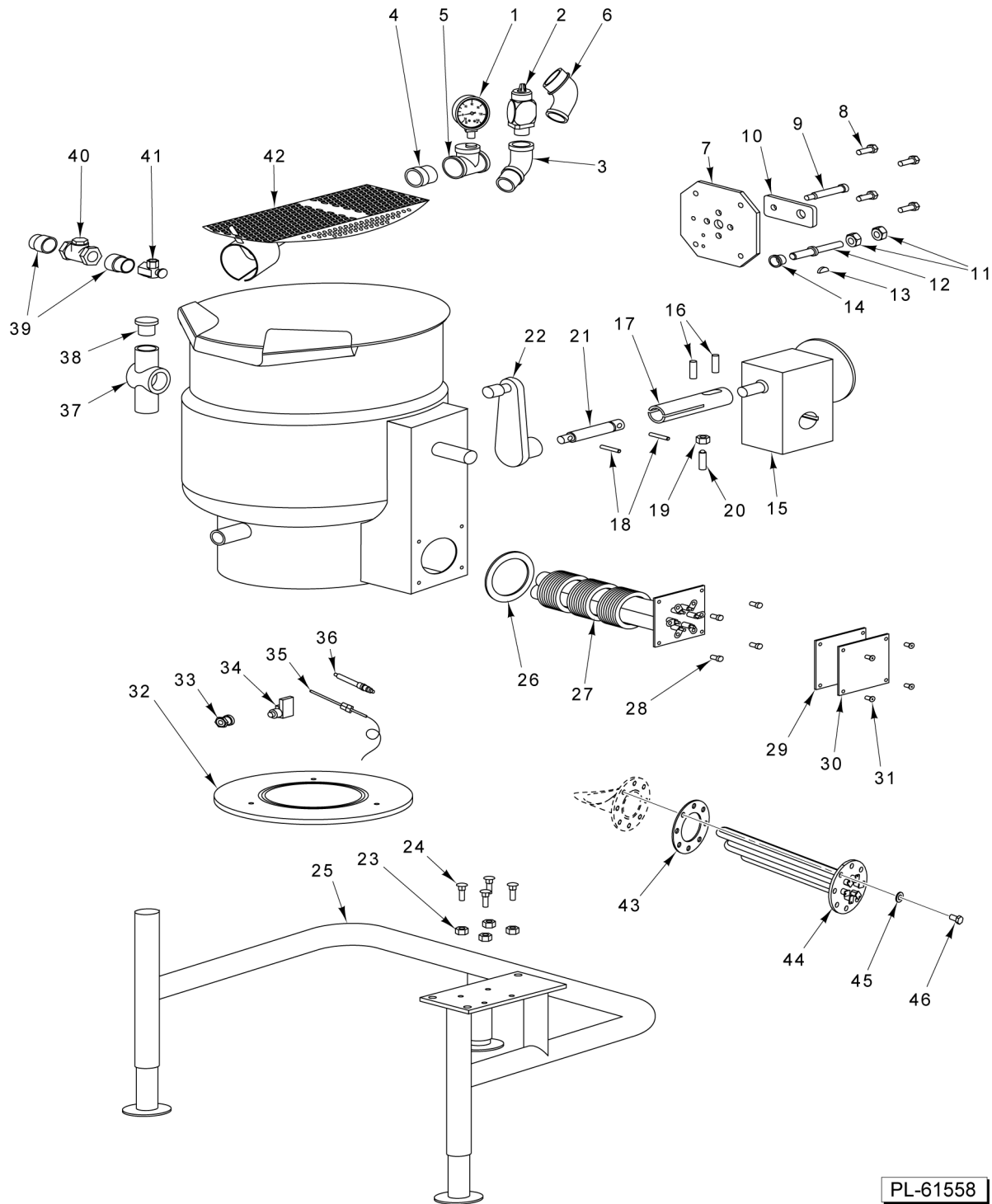
K20EL, K40EL AND K60EL COMPLETE ASSEMBLY

ILLUS.	PART NO.	NAME OF PART	AMT.
35	00-858768-00001	Gasket (Starting S/N 463035423).....	1
36	00-858757-00001	Element - Heating (480 VAC) (12 Kw) (8 Bolt Flange) (K20EL) (Starting S/N 463035423).....	1
	00-858758-00001	Element - Heating (208 VAC) (18 Kw) (K40EL & K60EL) (Starting S/N 463035423).....	1
	00-858758-00002	Element - Heating (240 VAC) (18 Kw) (K40EL & K60EL) (Starting S/N 463035423).....	AR
	00-858760-00003	Element - Heating (480 VAC) (24 Kw) (K40EL, K40ELT, K60EL, & K60ELT) (Starting S/N 463035423).....	1
37	00-858769-00001	Washer (Starting S/N 463035423).....	8
38	00-858770-00001	Screw (Starting S/N 463035423).....	8

NOTES

K20EL, K40EL, AND K60EL CONTROL PANEL

ILLUS. PL-61557	PART NO.	NAME OF PART	AMT.
1	00-854647-00001	Knob - Control.....	1
2	00-854693-00001	Shaft - Rotary Seal.....	1
3	00-856476-00001	NLA - Obsolete--Overlay, Control Panel.....	1
4	00-857389-00001	Potentiometer 24MM.....	1
5	00-855797-00005	Switch Assy. (Power with Indicator Lights).....	1
6	NS-048-63	Nut, Stop, SP 1/4-20 (RGLR LIGHT).....	4
7	00-857135-00001	Panel, Electrical.....	1
8	SC-120-23	Mach. Screw 10-24 x 3/8 Hex Hd. Ground.....	1
9	00-118544-00002	Lug - Grounding.....	1
10	00-410472-00008	Block - Terminal (3-Pole).....	1
11	00-294500-00033	Transformer.....	1
12	SD-019-29	Self-Tapping Screw 6-20 x 1/2 Phil. Pan Hd., Type B.....	10
13	SC-066-06	Mach. Screw 10-24 x 1/2 Phil. Truss Hd. (SST).....	10
14	00-854766-00001	Speed Nut, J Type-1024.....	10
15	00-856166-00001	Assembly, Power Box Lid.....	1
16	00-855028-00001	Block - Fuse.....	1
17	00-854700-00001	Fuse - Class CC 3 Amp Time Delay.....	AR
18	00-840115	Contact (25 Amp.) Block.....	2
19	00-857112-00001	Controller - Temperature.....	1
20	00-844070-00001	Control - Low Water.....	1
21	00-328479-00002	Nut - Insert (.515 X .400 Monel).....	1
22	00-857410-00002	Harness - Main.....	1
23	00-857417-00002	Harness - Pressure Switch.....	1
24	00-857418-00002	Harness - Heating Element.....	1



PL-61558

K20ELT, K40ELT, AND K60ELT ASSEMBLY

K20ELT, K40ELT, AND K60ELT ASSEMBLY

ILLUS. PL-61558	PART NO.	NAME OF PART	AMT.
1	00-855954-00001	Gauge, Pressure.....	1
2	00-855968-00001	Valve - Relief (50 PSI).....	1
3	FP-015-24	Elbow - Pipe 3/4 x 90 Deg. (Brass).....	1
4	FP-041-50	Pipe 3/4 x 1-3/8 TBE (Brass).....	1
5	FP-019-32	Tee 3/4 x 3/4 x 1/2 Reducing Pipe.....	1
6	FP-015-24	Elbow - Pipe 3/4 x 90 Deg. (Brass).....	1
7	00-856854-00001	Plate - Positive Stop.....	1
8	SC-041-30	Cap Screw 3/8-16 x 1 Hex Hd. (SST).....	4
9	SC-130-09	Shoulder Screw 3/8 Dia. 5/16-18 x 2 Hex Socket Hd.....	1
10	00-856855-00001	Traveller - Positive Stop.....	1
11	NS-041-09	NLA - Obsolete--Lock Nut 1/2-13 Hex.....	2
12	00-856856-00001	Shaft - Positive Stop.....	1
13	KW-003-07	Key - Woodruff 3/16 x 5/8.....	1
14	00-857295-00001	Bearing 1/2 (Bronze).....	1
15	00-856184-00002	Gear - Reducer (80:1).....	1
16	RP-003-36	Pin - Roll .312 X 1.500.....	2
17	00-854644-00001	Extension - Shaft (Gear Reducer).....	1
18	RP-002-46	Pin - Roll.....	2
19	NS-011-18	Nut 10-24 Hex (SST).....	1
20	00-854649-00001	Detent - Ball.....	1
21	00-854652-00001	Shaft - Handle.....	1
22	00-854651-00001	Handle - Crank.....	1
23	NS-015-20	Nut 1/2-13 Hex (SST).....	4
24	SC-082-45	Bolt, Sq. Neck 1/2-20 UNF X 1.750 L.....	4
25	00-856306-00001	Weldment, frame - K20ELT.....	1
	00-856245-00001	Weldment, frame - K40ELT.....	1
	00-856172-00001	Weldment, frame - K60ELT.....	1
26	00-857131-00001	Gasket, Heating Element (Before S/N 463030197).....	1
27	00-856185-00001	Kit, 208V 18kW Heating Element K40-K60 EL/ELT (4 Bolt Flange) (includes item 26) (Before S/N 463035423).....	1
	00-856185-00002	Kit, 240V 18kW Heating Element K40-K60 EL/ELT (4 Bolt Flange) (includes item 26) (Before S/N 463035423).....	1
	00-856185-00003	Kit, 480V 18kW Heating Element K40-K60 EL/ELT (4 Bolt Flange) (includes item 26) (Before S/N 463035423).....	1
	00-856573-00001	Kit, 208/240V 12kW Heating Element K20EL/ELT (includes item 26) (Before S/N 463035423).....	1
	00-856573-00002	Kit, 480V 12kW Heating Element K20EL/ELT (includes item 26) (Before S/N 463035423).....	1
	00-856185-00004	Kit, 208V 24kW Heating Element K40-K60 EL/ELT (4 Bolt Flange) (includes item 26) (Before S/N 463035423).....	1
	00-856185-00005	Kit, 240V 24kW Heating Element K40-K60 EL/ELT (4 Bolt Flange) (includes item 26) (Before S/N 463035423).....	1
	00-856185-00006	Kit, 480V 24kW Heating Element K40-K60 EL/ELT (4 Bolt Flange) (includes item 26) (Before S/N 463035423).....	1
28	SC-041-11	Cap Screw 5/16-18 x 3/4 Hex Hd. (SST) (Before S/N 463035423).....	4
29	00-857130-00001	Gasket, Heater Cover.....	1
30	00-857129-00001	Cover, Heater Access.....	1
31	SC-066-06	Mach. Screw 10-24 x 1/2 Phil. Truss Hd. (SST).....	4
32	00-855957-00001	Bottom Ring Cover Plate Assembly - K20ELT.....	1
	00-856237-00001	Bottom Ring Cover Plate Assembly - K40ELT.....	1
	00-856155-00001	Bottom Ring Cover Plate Assembly - K60ELT.....	1
33	FP-090-36	Coupling - Anchor 1/8 (Brass).....	1
34	00-856045-00001	Switch - Pressure.....	1
35	00-856042-00001	Sensor - Temperature.....	1
36	00-855856-00001	Probe - Water Level.....	1

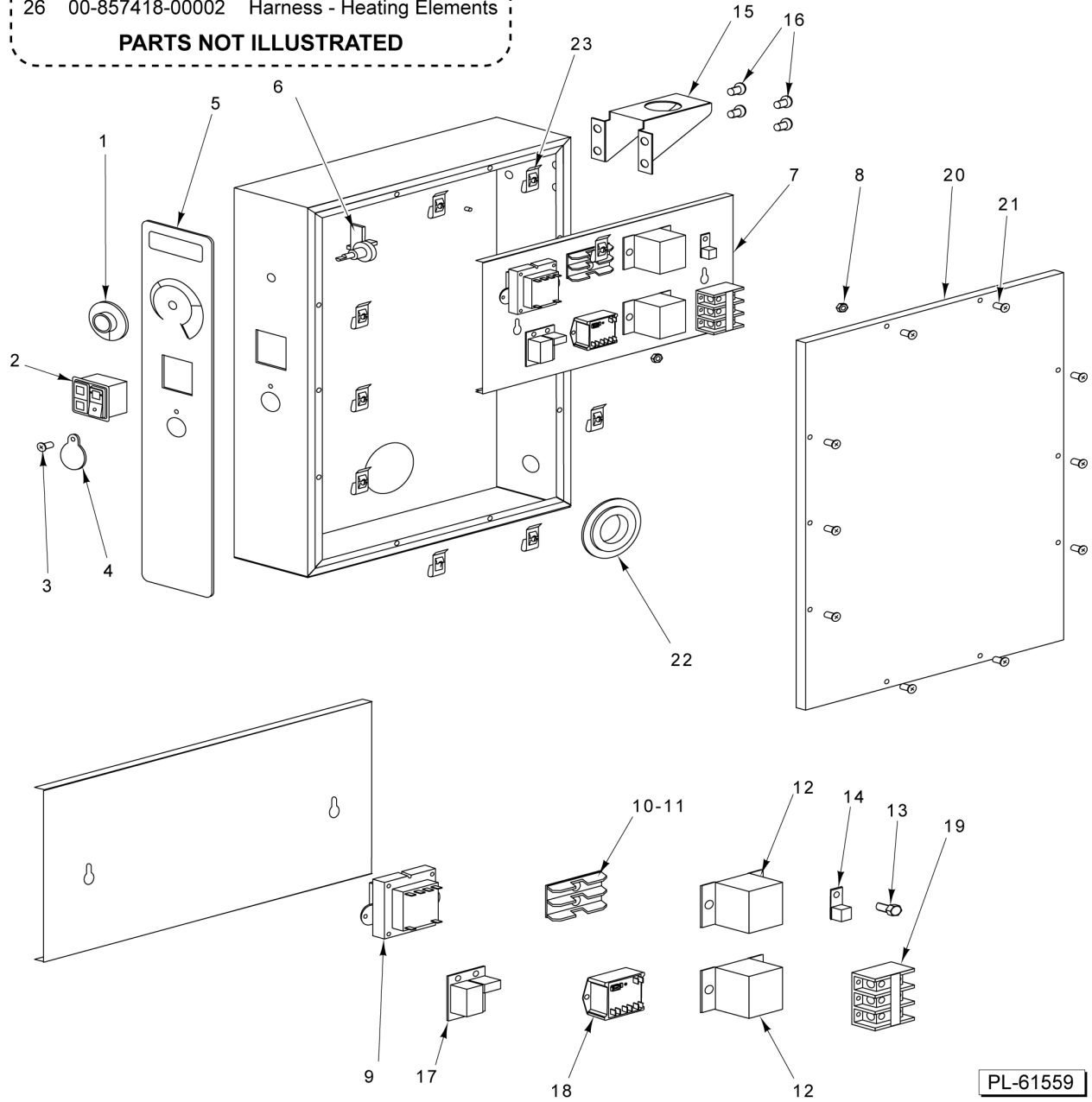
K20ELT, K40ELT, AND K60ELT ASSEMBLY

ILLUS.	PART NO.	NAME OF PART	AMT.
PL-61558			
37	00-856327-00001	Pivot Assy.....	1
38	00-856563-00001	Plug.....	1
39	FP-054-08	Pipe 1/2 x 1-1/8 TBE (SST).....	2
40	00-833648-00002	Valve - Swing Check 1/2" (Brass).....	1
41	00-833501	Valve 1/2 Angle.....	1
42	00-856192-00001	Strainer, Perforated, 20-gallon.....	1
	00-856186-00001	Strainer, Perforated, 40-gallon.....	1
	00-856195-00001	Strainer, Perforated, 60-gallon.....	1
43	00-858768-00001	Gasket (Starting S/N 463035423).....	1
44	00-858754-00001	Element - Heating (208/240 VAC) (12/16 Kw) (K20ELT) (Starting S/N 463035423)	1
	00-858758-00002	Element - Heating (240 VAC) (18 Kw) (K40ELT & K60ELT) (Starting S/N 463035423)	1
45	00-858769-00001	Washer (Starting S/N 463035423).....	1
46	00-858770-00001	Screw (Starting S/N 463035423).....	1

NOTES

- 24 00-857410-00002 Harness - Main
 25 00-857417-00002 Harness - Pressure Switch
 26 00-857418-00002 Harness - Heating Elements

PARTS NOT ILLUSTRATED

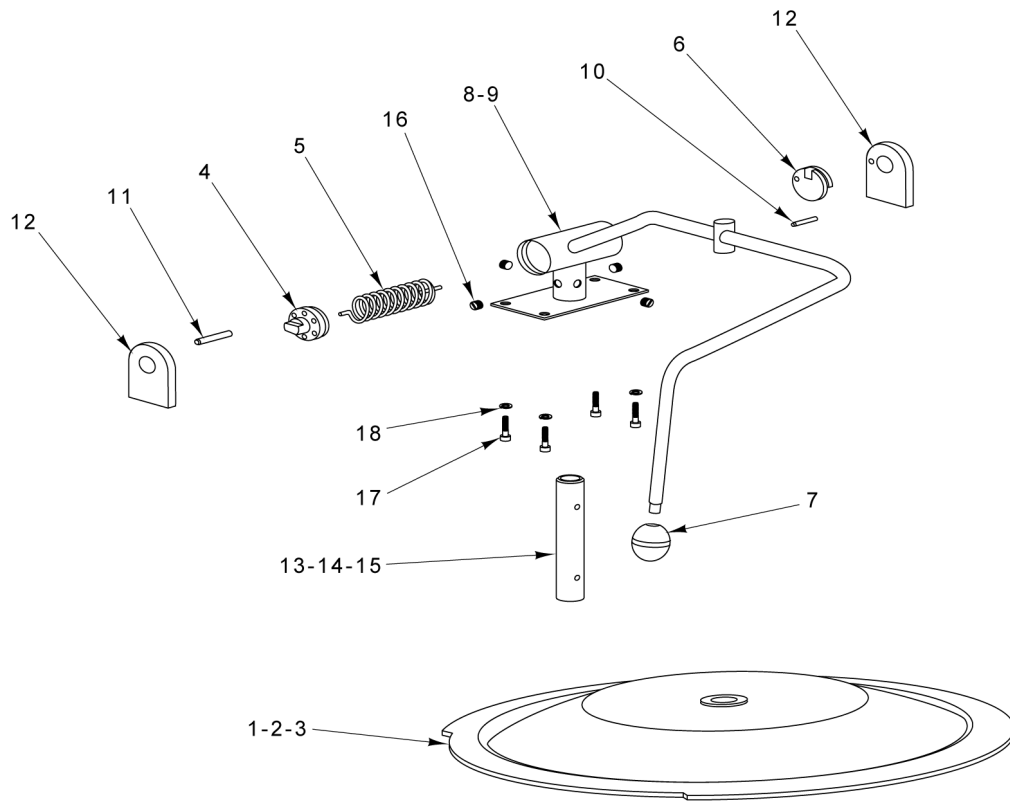


PL-61559

K20ELT, K40ELT, AND K60ELT CONTROL PANEL

K20ELT, K40ELT, AND K60ELT CONTROL PANEL

ILLUS. PL-61559	PART NO.	NAME OF PART	AMT.
1	00-854647-00001	Knob - Control.....	1
2	00-855797-00005	Switch Assy. (Power with Indicator Lights).....	1
3	SC-066-06	Mach. Screw 10-24 x 1/2 Phil. Truss Hd. (SST).....	1
4	00-856218-00001	NLA - Obsolete--Flap - Tilt Handle Opening.....	1
5	00-856519-00001	Overlay, KxxELT.....	1
6	00-857389-00001	Potentiometer 24MM.....	1
7	00-857141-00001	Panel, Electrical.....	1
8	NS-015-01	Nut 1/4-20 Hex (SST).....	2
9	00-294500-00033	Transformer.....	1
10	00-855028-00001	Block - Fuse.....	1
11	00-854700-00001	Fuse - Class CC 3 Amp Time Delay.....	AR
12	00-840115	Contactora (25 Amp.) Block.....	2
13	SC-120-23	Mach. Screw 10-24 x 3/8 Hex Hd. Ground.....	1
14	00-118544-00002	Lug - Grounding.....	1
15	00-855902-00001	Bracket - Faucet Mounting.....	1
16	SC-041-50	Cap Screw 1/4-20 x 1/2 Hex Hd. (SST).....	1
17	00-844070-00001	Control - Low Water.....	1
18	00-857112-00001	Controller - Temperature.....	1
19	00-410472-00008	Block - Terminal (3-Pole).....	1
20	00-857143-00001	Assembly, Power Box Lid.....	1
21	SD-019-29	Self-Tapping Screw 6-20 x 1/2 Phil. Pan Hd., Type B.....	11
22	00-856380-00001	Seal, Shaft.....	1
23	00-854766-00001	Speed Nut, J Type-1024.....	11
24	00-857410-00002	Harness - Main.....	1
25	00-857417-00002	Harness - Pressure Switch.....	1
26	00-857418-00002	Harness - Heating Element.....	1

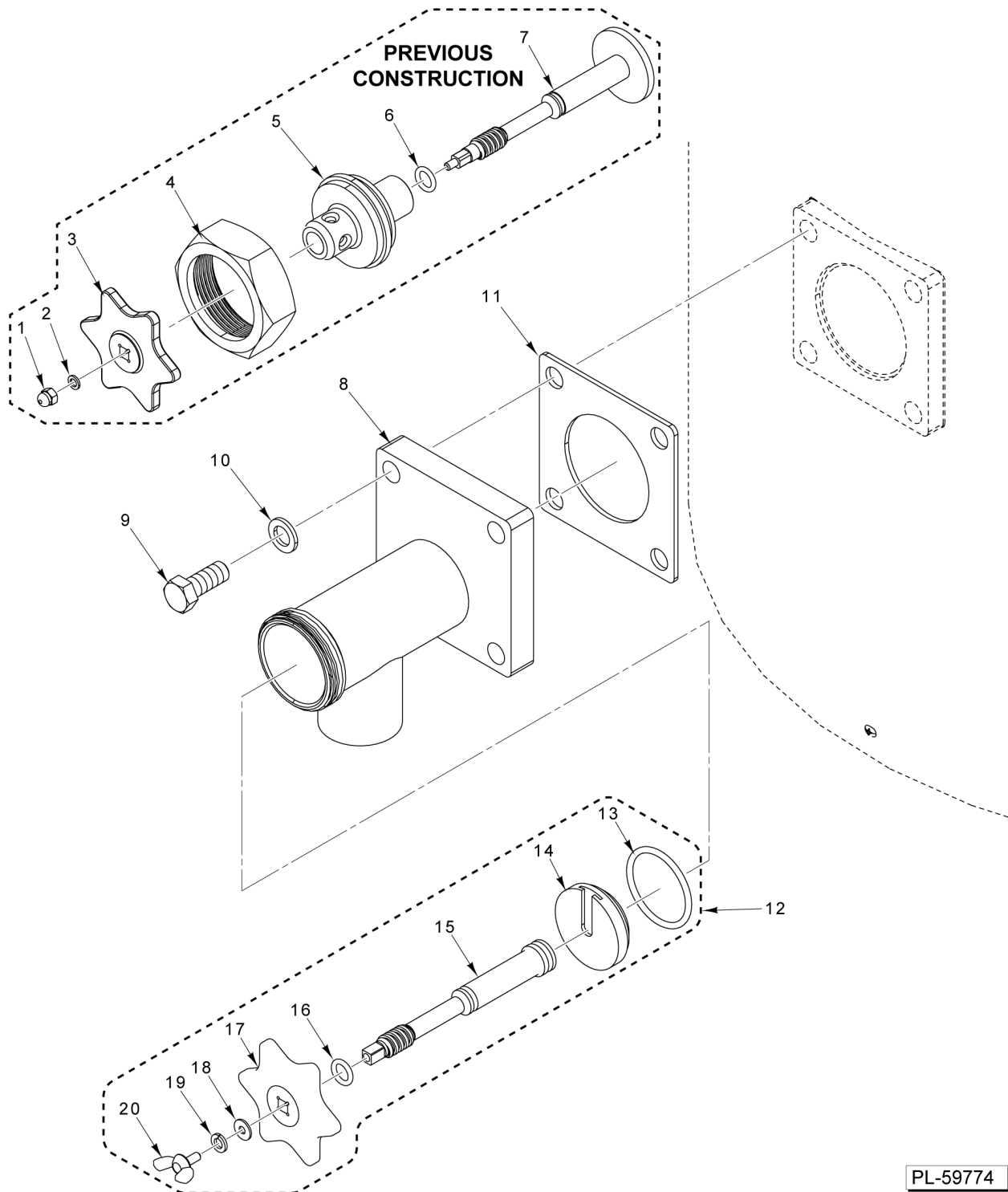


PL-61560

OPTIONAL SPRING ASSIST COVER

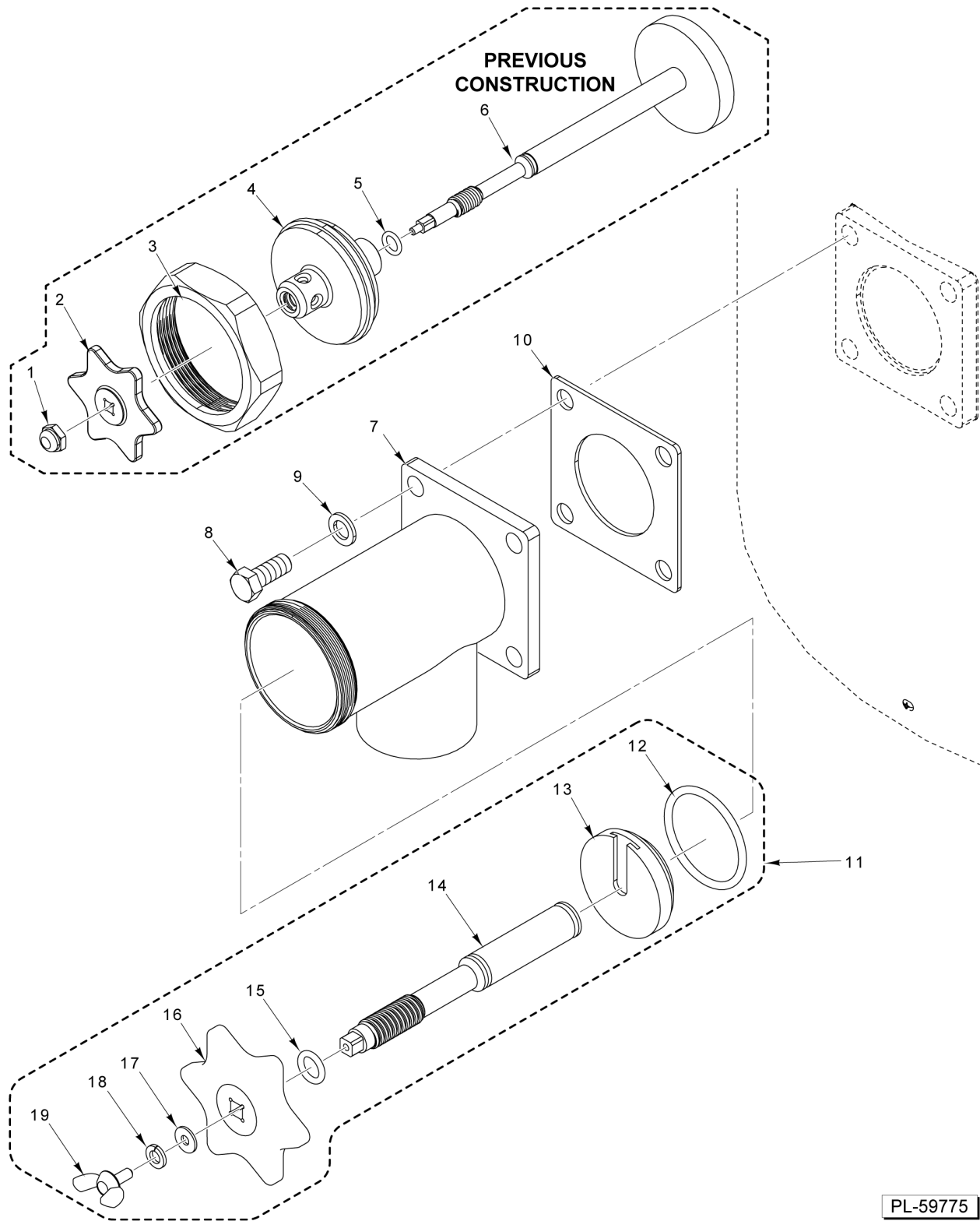
OPTIONAL SPRING ASSIST COVER

ILLUS. PL-61560	PART NO.	NAME OF PART	AMT.
1	00-856490-00005	Lid Assy. 20 Gal (with Condensate Ring).....	1
2	00-856495-00004	Lid Assy. 40 Gal (with Condensate Ring).....	1
3	00-856500-00002	Lid Assy. 60 Gal (with Condensate Ring).....	1
4	00-853292-00001	Disc - Tension Adjustment.....	1
5	00-853289-00001	Spring - Torsion.....	1
6	00-853293-00001	Disc - Rotary Stop.....	1
7	00-853285-00001	Knob - Press On.....	1
8	00-856511-00001	Weldment, Handle, 40 Gal, Tilt.....	1
9	00-856514-00001	Weldment, Handle, 60 Gal, Tilt.....	1
10	RP-004-31	Roll Pin 1/4 x 1.....	1
11	00-853284-00001	Pin - Lock.....	1
12	00-858765-00001	Kit - Heavy Duty Hinge.....	1
13	00-856311-00002	Mast, Support Lid, 8.125" long, K20ELT.....	1
14	00-856311-00003	Mast, Support Lid, 10.750" long, K40ELT.....	1
15	00-856311-00006	Mast, Support Lid, 12.625" long, K60ELT.....	1
16	SC-047-12	Set Screw 1/4-20 x 3/8 Socket Hdls., Knife Cup Pt.....	4
17	SC-110-98	Cap Screw 1/4-20 x 3/4 Hex Socket Hd. (SST).....	4
18	WL-006-07	Lockwasher #10 Helical (SST).....	4



**DRAW-OFF VALVE ASSEMBLY
(2 INCH)**

ILLUS. PL-59774	PART NO.	NAME OF PART	AMT.
1	00-856213-00008	Nut (Previous Construction).....	1
2	00-856213-00009	Washer (Previous Construction).....	1
3	00-856213-00005	Handle (Previous Construction).....	1
4	00-856213-00004	Nut - Hex (Previous Construction).....	1
5	00-856213-00006	Retainer (Previous Construction).....	1
6	00-856213-00007	O-Ring (Previous Construction).....	1
7	00-856213-00003	Disc & Stem Assy. (Previous Construction).....	1
8	00-857978-00001	Valve Body (2 In.).....	1
9	SC-041-44	Cap Screw 1/2-13 x 1-1/4 Hex Hd. (SST).....	4
10	WL-006-35	Lockwasher 1/2 Light.....	4
11	00-855830-00001	Gasket - Draw-Off Valve.....	1
12	00-857918-00001	Plunger - Stem (Incls. Items 13 thru 20) (Current Construction).....	1
13	00-857918-00004	O-Ring - Nylon (Current Construction).....	1
14	00-857918-00003	Seal - Nylon (2 In.) (Current Construction).....	1
15	00-857918-00002	Stem (Current Construction).....	1
16	00-857918-00005	O-Ring (Current Construction).....	1
17	00-857918-00006	Handle (Current Construction).....	1
18	00-857918-00009	Flatwasher (Current Construction).....	1
19	00-857918-00008	Lockwasher (Current Construction).....	1
20	00-857918-00007	Wingnut (Current Construction).....	1

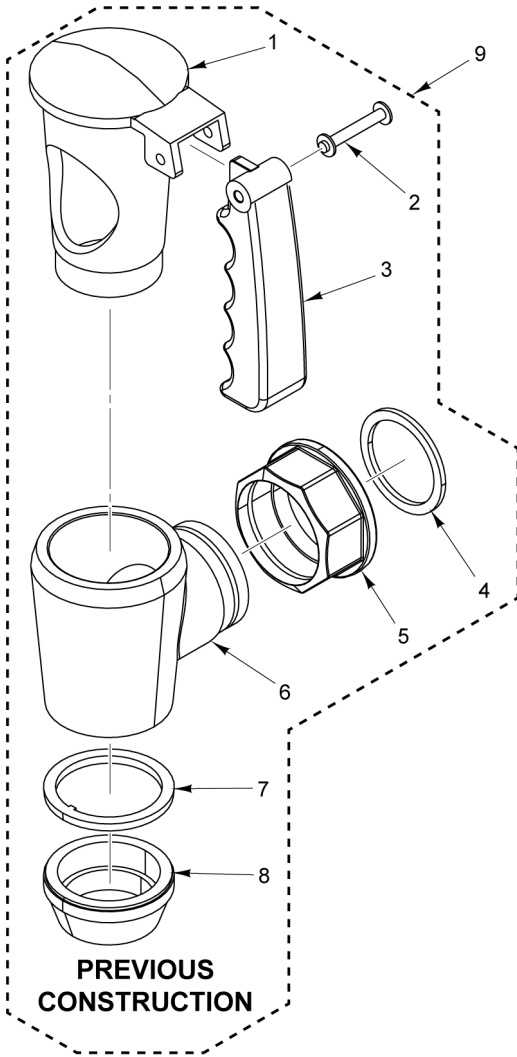


**DRAW-OFF VALVE ASSEMBLY
(3 INCH)**

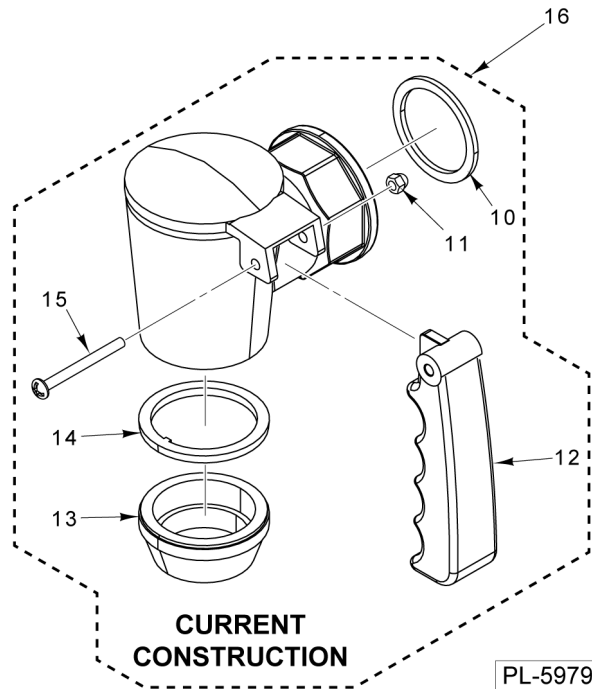
DRAW-OFF VALVE ASSEMBLY (3 INCH)

ILLUS. PL-59775	PART NO.	NAME OF PART	AMT.
1	00-359996-00007	Nut - Acorn (Previous Construction).....	1
2	00-359996-00005	Handle (Previous Construction).....	1
3	00-359996-00004	Hex Nut (Previous Construction).....	1
*4	00-857977-00003	Retainer (Previous Construction).....	1
5	00-359996-00006	O-ring (Previous Construction).....	1
6	00-359996-00002	Disc and Stem Assembly (Previous Construction).....	1
7	00-857978-00002	Valve Body (3 In.).....	1
8	SC-041-44	Cap Screw 1/2-13 x 1-1/4 Hex Hd. (SST).....	4
9	WL-006-35	Lockwasher 1/2 Light.....	4
10	00-855830-00001	Gasket - Draw-Off Valve.....	1
11	00-857919-00001	Stem Plunger Assy. (3 In.) (Incls. Items 12 thru 19) (Current Construction).....	1
12	00-857919-00004	O-Ring (Current Construction).....	1
13	00-857919-00003	Seal, Nylon 3 In. (Current Construction).....	1
14	00-857919-00002	Stem (Current Construction).....	1
15	00-857919-00005	O-Ring (Current Construction).....	1
16	00-857919-00006	Handle (SST) (Current Construction).....	1
17	00-857919-00009	Washer - Flat (SST) (Current Construction).....	1
18	00-857919-00008	Washer - Lock (SST) (Current Construction).....	1
19	00-857919-00007	Screw - Wing M6 x 12 (SST) (Current Construction).....	1

* Call for Price and Availability



- 17 00-856569-00002 Plate - Valve Mount
 - 18 00-855830-00001 Gasket - Draw-Off Valve
- PARTS NOT ILLUSTRATED**



PL-59795

**PLUG VALVE
(2 INCH)**

**PLUG VALVE
(2 INCH)**

ILLUS.	PART NO.	NAME OF PART	AMT.
1	00-857547-00004	Plug - Valve (Draw-Off) (Previous Construction).....	1
2	00-857547-00007	Pin - Retaining (Previous Construction).....	1
3	00-857547-00006	Handle - Athermic (Previous Construction).....	1
4	00-857170-00009	Gasket - Coupling (Previous Construction).....	1
5	00-857547-00003	Coupling - Valve (Draw-Off) (Previous Construction).....	1
6	00-857547-00002	Valve Body (Draw-Off) (Previous Construction).....	1
7	00-857547-00005	Washer (Previous Construction).....	1
8	00-857547-00008	Ring - Metal (Previous Construction).....	1
9	00-857547-00001	Draw-Off Valve Assy. (2 In., Plug Type) (Incls. Items 1 thru 8) (Previous Construction)	1
10	00-858268-00009	Gasket (Current Construction).....	1
11	00-858268-00010	Nut, M6 (SST) (Current Construction).....	1
12	00-858268-00006	Handle (Current Construction).....	1
13	00-858268-00003	Nut, Valve Plug (Current Construction).....	1
14	00-858268-00004	Washer (Current Construction).....	1
15	00-858268-00007	Screw M6 x 50 (Current Construction).....	1
16	00-858268-00001	Draw-Off Valve Assy. 2 In. (Incls. Items 10 thru 15) (Current Construction).....	1
17	00-856569-00002	Plate - Valve Mount.....	1
18	00-855830-00001	Gasket - Draw-Off Valve.....	1

