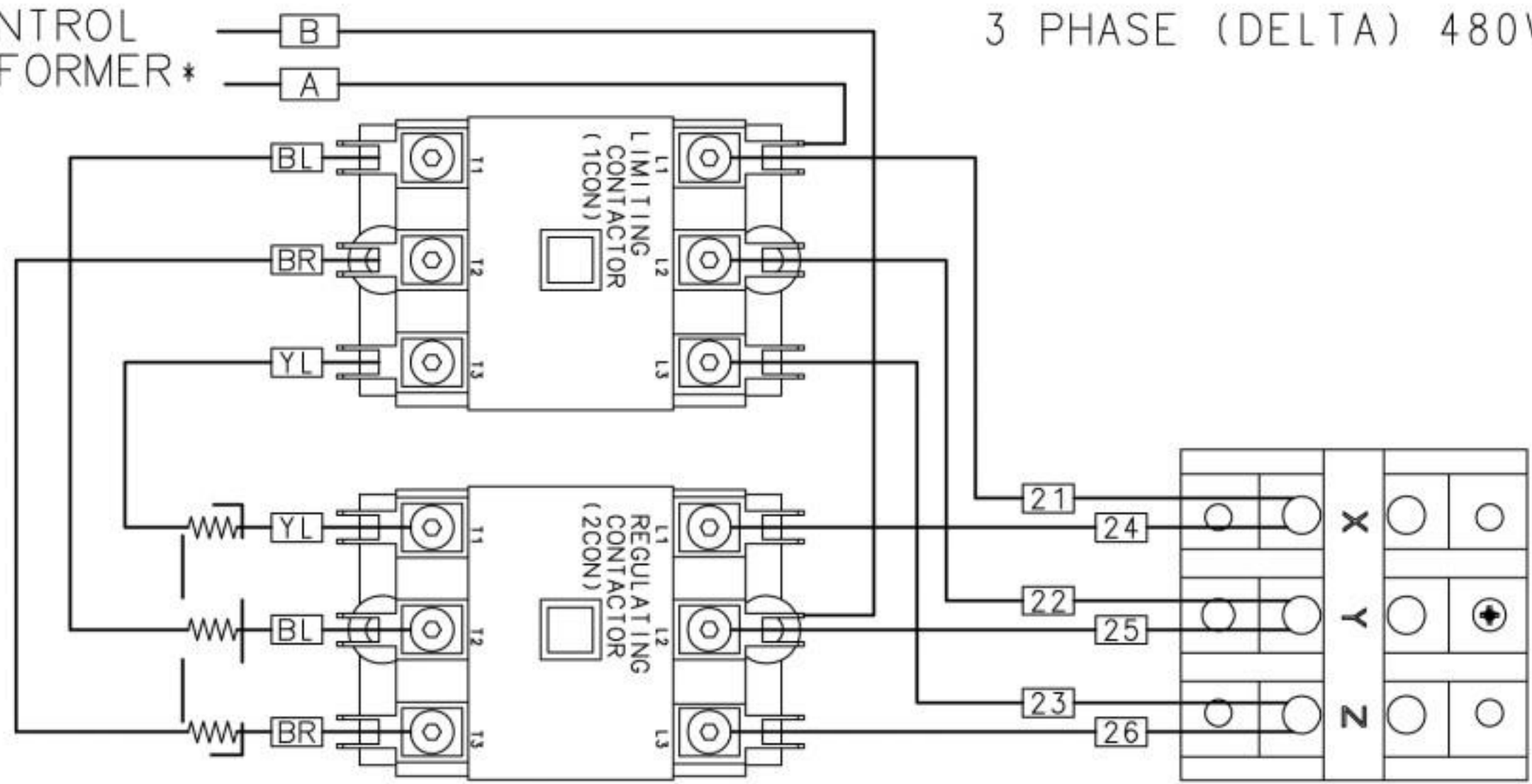


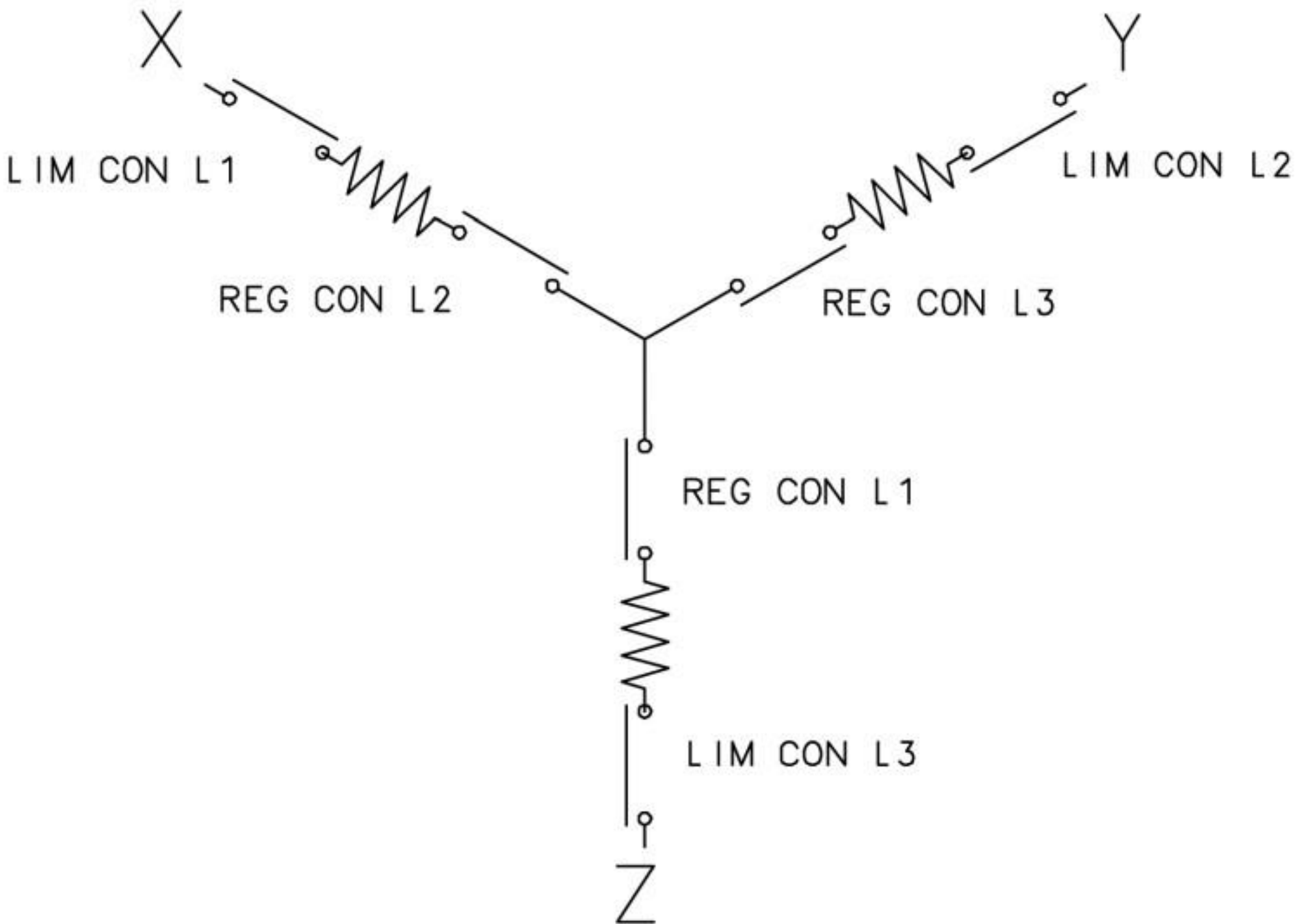
ED FROM  
149-2

TO CONTROL  
TRANSFORMER\*

3 PHASE (DELTA) 480V

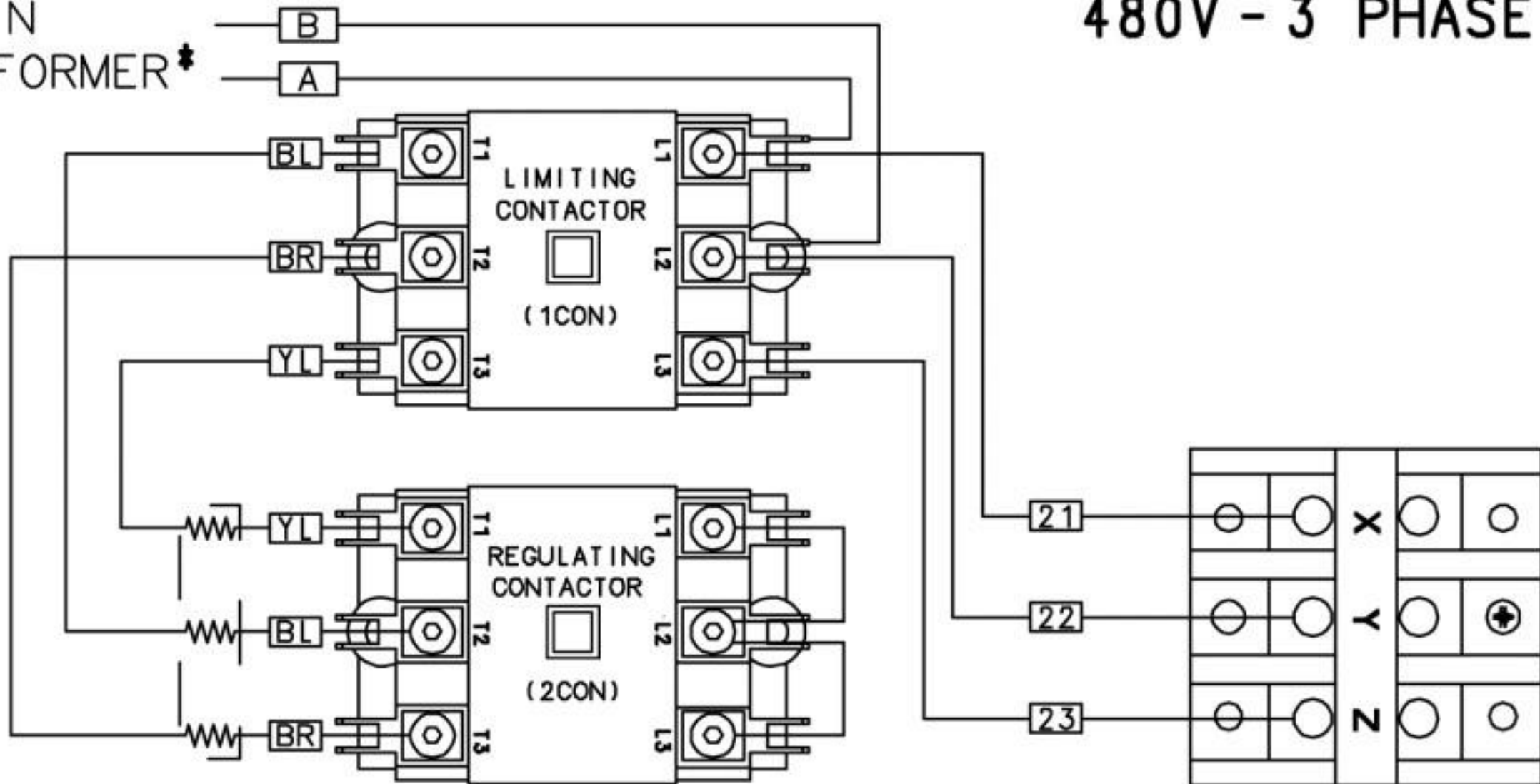


# WIRING DIAGRAM 3-PH WYE



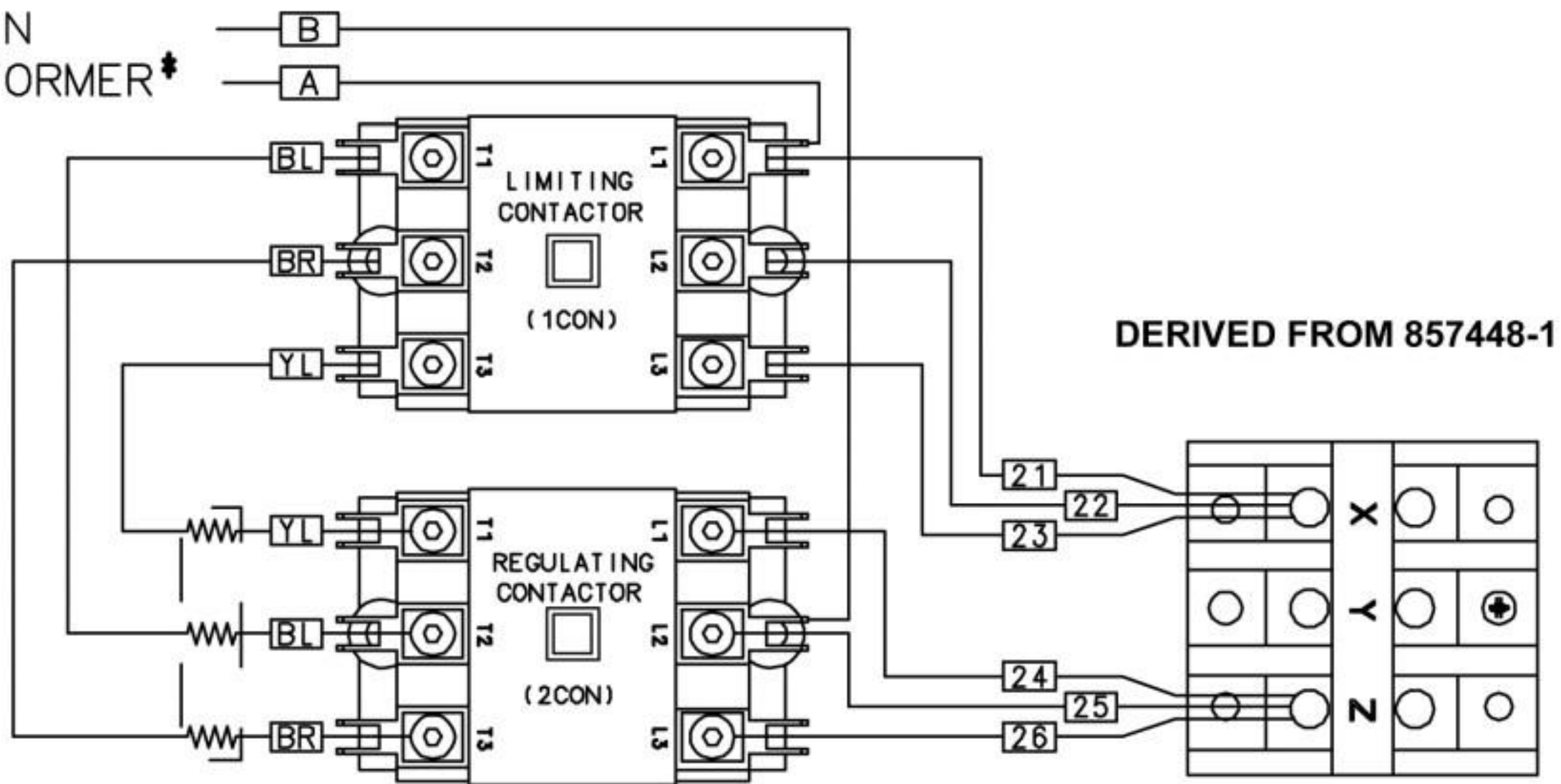
TO MAIN  
TRANSFORMER \*

480V - 3 PHASE



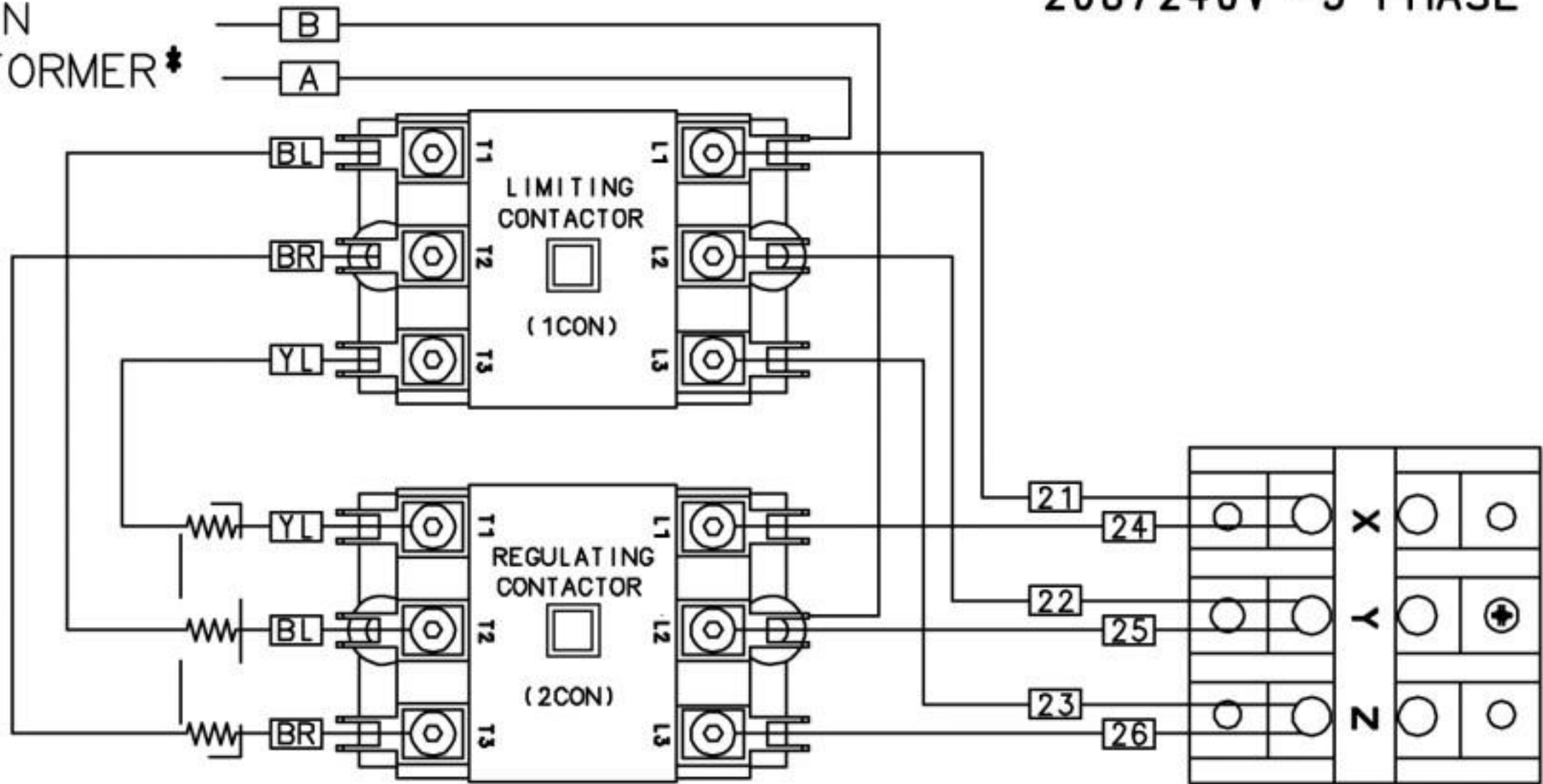
208/240V - 1 PHASE

TO MAIN TRANSFORMER\*



TO MAIN  
TRANSFORMER #

208/240V - 3 PHASE



L1 L2

\* PRIMARY TAPS OF MAIN TRANSFORMER MUST BE CONNECTED ACCORDING TO THE DATA PLATE VOLTAGE AND THE ACTUAL VOLTAGE SUPPLY.

