

VULCAN

CATALOG OF REPLACEMENT PARTS

ELECTRIC 2/3 JACKETED STATIONARY & TILTING KETTLES

MODELS

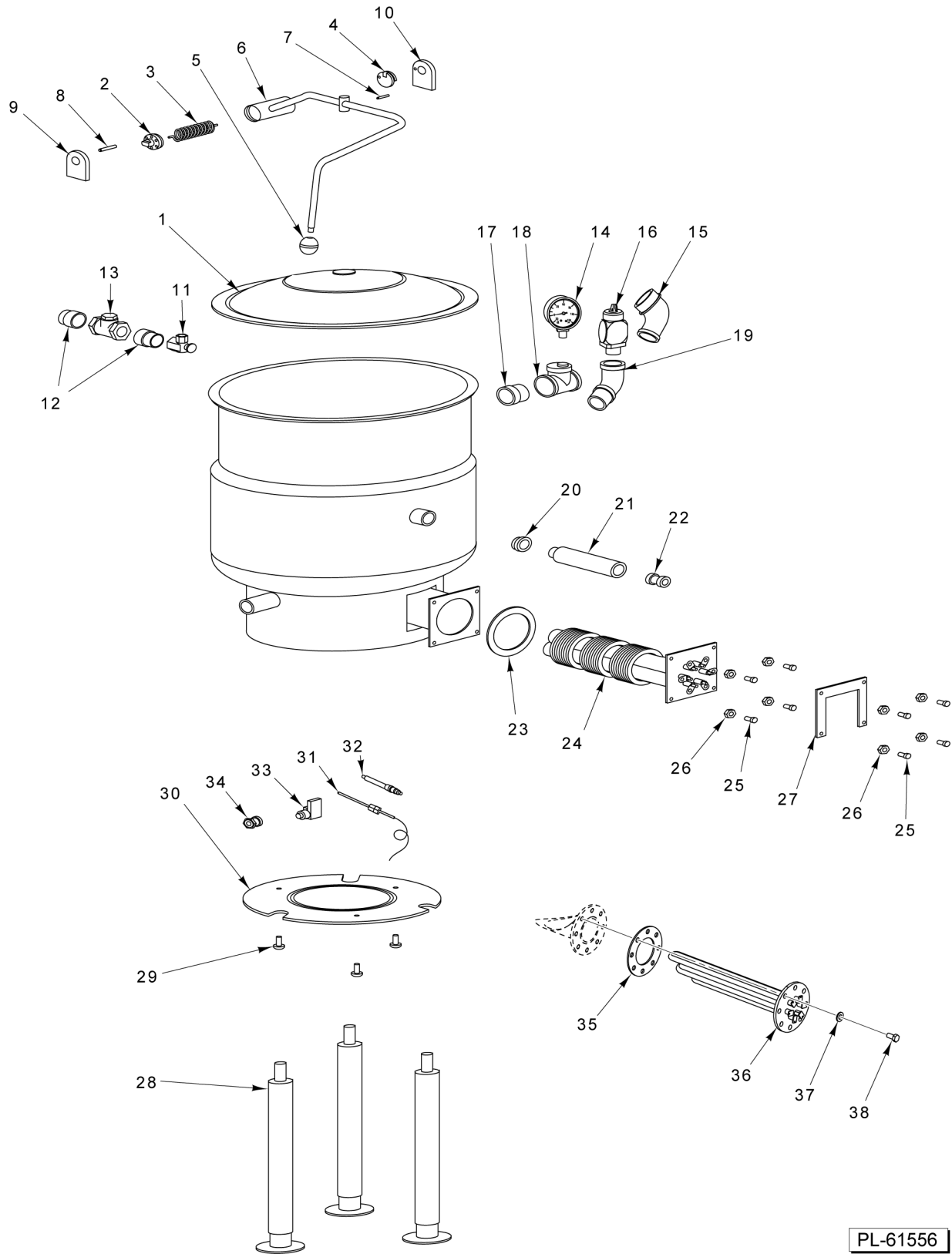
| | |
|------------------|---------------|
| <i>ML-136073</i> | <i>K20EL</i> |
| <i>ML-136077</i> | <i>K20ELT</i> |
| <i>ML-136074</i> | <i>K40EL</i> |
| <i>ML-136078</i> | <i>K40ELT</i> |
| <i>ML-136075</i> | <i>K60EL</i> |
| <i>ML-136079</i> | <i>K60ELT</i> |



For additional information on Vulcan-Hart Company or to locate an authorized parts and service provider in your area, visit our website at www.vulcanequipment.com

Table of Contents

| | |
|----|--|
| 5 | K20EL, K40EL AND K60EL COMPLETE ASSEMBLY |
| 9 | K20EL, K40EL, AND K60EL CONTROL PANEL |
| 11 | K20ELT, K40ELT, AND K60ELT ASSEMBLY |
| 15 | K20ELT, K40ELT, AND K60ELT CONTROL PANEL |
| 17 | OPTIONAL SPRING ASSIST COVER |
| 19 | DRAW-OFF VALVE ASSEMBLY (2 INCH) |
| 21 | DRAW-OFF VALVE ASSEMBLY (3 INCH) |
| 23 | PLUG VALVE (2 INCH) |



PL-61556

K20EL, K40EL AND K60EL COMPLETE ASSEMBLY

K20EL, K40EL AND K60EL COMPLETE ASSEMBLY

| ILLUS. | PART NO. | NAME OF PART | AMT. | |
|--------|-----------------|--|--|---|
| 1 | 00-856490-00002 | Lid Assy. 20 Gal - K20EL..... | 1 | |
| | 00-856495-00002 | Lid Assy. 40 Gal - K40EL..... | 1 | |
| | 00-856500-00002 | Lid Assy. 60 Gal - K60EL..... | 1 | |
| 2 | 00-853292-00001 | Disc - Tension Adjustment..... | 1 | |
| 3 | 00-853289-00001 | Spring - Torsion..... | 1 | |
| 4 | 00-853293-00001 | Disc - Rotary Stop..... | 1 | |
| 5 | 00-853285-00001 | Knob - Press On..... | 1 | |
| 6 | 00-856485-00001 | NLA - Obsolete--Weldment, Handle, 20 Gal - K20EL..... | 1 | |
| | 00-856491-00001 | Weldment, Handle, 40 Gal - K40EL..... | 1 | |
| | 00-856496-00001 | Weldment, Handle, 60 Gal - K60EL..... | 1 | |
| 7 | RP-004-31 | Roll Pin 1/4 x 1..... | 1 | |
| 8 | 00-853284-00001 | Pin - Lock..... | 1 | |
| 9 | 00-853286-00001 | Plate - Front..... | 1 | |
| 10 | 00-855220-00002 | Plate - Rear Angle..... | 1 | |
| 11 | 00-833501 | Valve 1/2 Angle..... | 1 | |
| 12 | FP-054-08 | Pipe, 1/2" X 1.125..... | 2 | |
| 13 | 00-833648-00002 | Valve - Swing Check 1/2" (Brass)..... | 1 | |
| 14 | 00-855954-00001 | Gauge, Pressure..... | 1 | |
| 15 | FP-015-24 | Elbow - Pipe 3/4 x 90 Deg. (Brass)..... | 1 | |
| 16 | 00-855968-00001 | Valve - Relief (50 PSI)..... | 1 | |
| 17 | FP-041-50 | Pipe, 3/4 X 1.125..... | 1 | |
| 18 | FP-019-32 | Tee 3/4 x 3/4 x 1/2 Reducing Pipe..... | 1 | |
| 19 | FP-015-24 | Elbow - Pipe 3/4 x 90 Deg. (Brass)..... | 1 | |
| 20 | 00-856566-00001 | Grommet..... | 1 | |
| 21 | 00-857105-00001 | Conduit, Liquid Tight..... | 1 | |
| 22 | 00-857104-00001 | Connector, Liquid Tight Conduit..... | 1 | |
| 23 | 00-857131-00001 | Gasket, Heating Element (Before S/N 463030197)..... | 1 | |
| 24 | 00-856185-00001 | Kit, 208V 18kW Heating Element K40-K60 EL/ELT (4 Bolt Flange) (includes item 23) (Before S/N 463035423)..... | 1 | |
| | 00-856185-00002 | Kit, 240V 18kW Heating Element K40-K60 EL/ELT (4 Bolt Flange) (includes item 23) (Before S/N 463035423)..... | 1 | |
| | 00-856185-00003 | Kit, 480V 18kW Heating Element K40-K60 EL/ELT (4 Bolt Flange) (includes item 23) (Before S/N 463035423)..... | 1 | |
| | 00-856573-00001 | Kit, 208/240V 12kW Heating Element K20EL/ELT (includes item 23) (Before S/N 463035423)..... | 1 | |
| | 00-856573-00002 | Kit, 480V 12kW Heating Element K20EL/ELT (includes item 23) (Before S/N 463035423)..... | 1 | |
| | 00-856185-00004 | Kit, 208V 24kW Heating Element K40-K60 EL/ELT (4 Bolt Flange) (includes item 23) (Before S/N 463035423)..... | 1 | |
| | 00-856185-00005 | Kit, 240V 24kW Heating Element K40-K60 EL/ELT (4 Bolt Flange) (includes item 23) (Before S/N 463035423)..... | 1 | |
| | 00-856185-00006 | Kit, 480V 24kW Heating Element K40-K60 EL/ELT (4 Bolt Flange) (includes item 23) (Before S/N 463035423)..... | 1 | |
| | 25 | SC-041-14 | Cap Screw 5/16-18 x 1-1/8 Hex Hd. (SST) (includes item 23) (Before S/N 463035423)..... | 8 |
| | 26 | NS-015-11 | Nut 5/16-18 Hex (SST) (Before S/N 463035423)..... | 8 |
| 27 | 00-856432-00001 | Control Box - HTG Flange Seal..... | 1 | |
| 28 | 00-856977-00001 | Leg & Flange Foot..... | 3 | |
| 29 | SC-066-06 | Mach. Screw 10-24 x 1/2 Phil. Truss Hd. (SST)..... | 3 | |
| 30 | 00-856449-00001 | Bottom Ring Cover Plate Assembly - K20EL..... | 1 | |
| | 00-856434-00001 | Bottom Ring Cover Plate Assembly - K40EL..... | 1 | |
| | 00-856460-00001 | Bottom Ring Cover Plate Assembly - K60EL..... | 1 | |
| 31 | 00-856042-00001 | Sensor - Temperature..... | 1 | |
| 32 | 00-855856-00001 | Probe - Water Level..... | 1 | |
| 33 | 00-856045-00001 | Switch - Pressure..... | 1 | |
| 34 | FP-090-36 | Coupling - Anchor 1/8 (Brass)..... | 1 | |

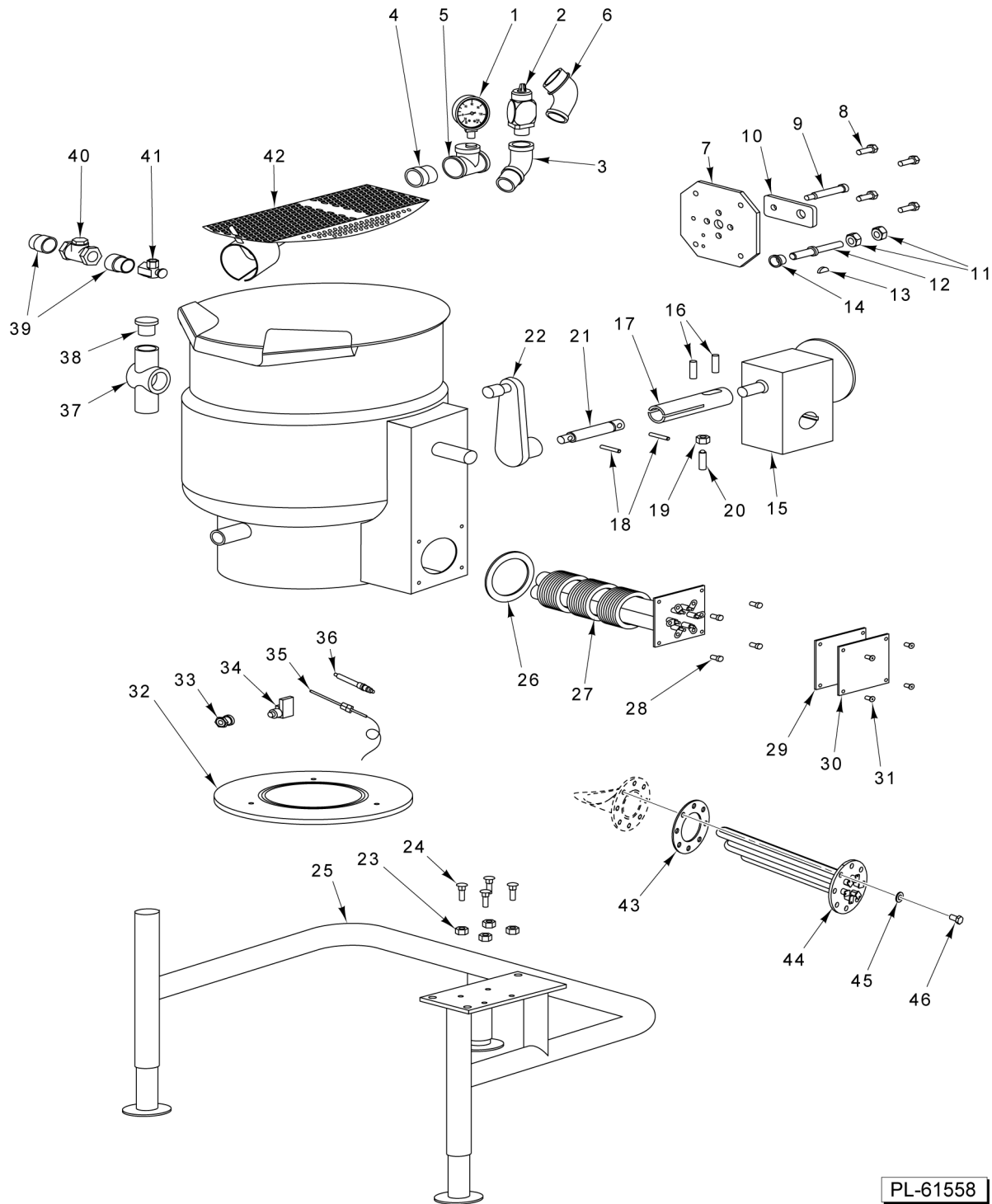
K20EL, K40EL AND K60EL COMPLETE ASSEMBLY

| ILLUS. | PART NO. | NAME OF PART | AMT. |
|--------|-----------------|--|------|
| 35 | 00-858768-00001 | Gasket (Starting S/N 463035423)..... | 1 |
| 36 | 00-858757-00001 | Element - Heating (480 VAC) (12 Kw) (8 Bolt Flange) (K20EL) (Starting S/N 463035423)..... | 1 |
| | 00-858758-00001 | Element - Heating (208 VAC) (18 Kw) (K40EL & K60EL) (Starting S/N 463035423)..... | 1 |
| | 00-858758-00002 | Element - Heating (240 VAC) (18 Kw) (K40EL & K60EL) (Starting S/N 463035423)..... | AR |
| | 00-858760-00003 | Element - Heating (480 VAC) (24 Kw) (K40EL, K40ELT, K60EL, & K60ELT) (Starting S/N 463035423)..... | 1 |
| 37 | 00-858769-00001 | Washer (Starting S/N 463035423)..... | 8 |
| 38 | 00-858770-00001 | Screw (Starting S/N 463035423)..... | 8 |

NOTES

K20EL, K40EL, AND K60EL CONTROL PANEL

| ILLUS. PL-61557 | PART NO. | NAME OF PART | AMT. |
|--------------------|-----------------|--|------|
| 1 | 00-854647-00001 | Knob - Control..... | 1 |
| 2 | 00-854693-00001 | Shaft - Rotary Seal..... | 1 |
| 3 | 00-856476-00001 | NLA - Obsolete--Overlay, Control Panel..... | 1 |
| 4 | 00-857389-00001 | Potentiometer 24MM..... | 1 |
| 5 | 00-855797-00005 | Switch Assy. (Power with Indicator Lights)..... | 1 |
| 6 | NS-048-63 | Nut, Stop, SP 1/4-20 (RGLR LIGHT)..... | 4 |
| 7 | 00-857135-00001 | Panel, Electrical..... | 1 |
| 8 | SC-120-23 | Mach. Screw 10-24 x 3/8 Hex Hd. Ground..... | 1 |
| 9 | 00-118544-00002 | Lug - Grounding..... | 1 |
| 10 | 00-410472-00008 | Block - Terminal (3-Pole)..... | 1 |
| 11 | 00-294500-00033 | Transformer..... | 1 |
| 12 | SD-019-29 | Self-Tapping Screw 6-20 x 1/2 Phil. Pan Hd., Type B..... | 10 |
| 13 | SC-066-06 | Mach. Screw 10-24 x 1/2 Phil. Truss Hd. (SST)..... | 10 |
| 14 | 00-854766-00001 | Speed Nut, J Type-1024..... | 10 |
| 15 | 00-856166-00001 | Assembly, Power Box Lid..... | 1 |
| 16 | 00-855028-00001 | Block - Fuse..... | 1 |
| 17 | 00-854700-00001 | Fuse - Class CC 3 Amp Time Delay..... | AR |
| 18 | 00-840115 | Contactor (25 Amp.) Block..... | 2 |
| 19 | 00-857112-00001 | Controller - Temperature..... | 1 |
| 20 | 00-844070-00001 | Control - Low Water..... | 1 |
| 21 | 00-328479-00002 | Nut - Insert (.515 X .400 Monel)..... | 1 |
| 22 | 00-857410-00002 | Harness - Main..... | 1 |
| 23 | 00-857417-00002 | Harness - Pressure Switch..... | 1 |
| 24 | 00-857418-00002 | Harness - Heating Element..... | 1 |



PL-61558

K20ELT, K40ELT, AND K60ELT ASSEMBLY

K20ELT, K40ELT, AND K60ELT ASSEMBLY

| ILLUS. PL-61558 | PART NO. | NAME OF PART | AMT. |
|--------------------|-----------------|--|------|
| 1 | 00-855954-00001 | Gauge, Pressure..... | 1 |
| 2 | 00-855968-00001 | Valve - Relief (50 PSI)..... | 1 |
| 3 | FP-015-24 | Elbow - Pipe 3/4 x 90 Deg. (Brass)..... | 1 |
| 4 | FP-041-50 | Pipe 3/4 x 1-3/8 TBE (Brass)..... | 1 |
| 5 | FP-019-32 | Tee 3/4 x 3/4 x 1/2 Reducing Pipe..... | 1 |
| 6 | FP-015-24 | Elbow - Pipe 3/4 x 90 Deg. (Brass)..... | 1 |
| 7 | 00-856854-00001 | Plate - Positive Stop..... | 1 |
| 8 | SC-041-30 | Cap Screw 3/8-16 x 1 Hex Hd. (SST)..... | 4 |
| 9 | SC-130-09 | Shoulder Screw 3/8 Dia. 5/16-18 x 2 Hex Socket Hd..... | 1 |
| 10 | 00-856855-00001 | Traveller - Positive Stop..... | 1 |
| 11 | NS-041-09 | NLA - Obsolete--Lock Nut 1/2-13 Hex..... | 2 |
| 12 | 00-856856-00001 | Shaft - Positive Stop..... | 1 |
| 13 | KW-003-07 | Key - Woodruff 3/16 x 5/8..... | 1 |
| 14 | 00-857295-00001 | Bearing 1/2 (Bronze)..... | 1 |
| 15 | 00-856184-00002 | Gear - Reducer (80:1)..... | 1 |
| 16 | RP-003-36 | Pin - Roll .312 X 1.500..... | 2 |
| 17 | 00-854644-00001 | Extension - Shaft (Gear Reducer)..... | 1 |
| 18 | RP-002-46 | Pin - Roll..... | 2 |
| 19 | NS-011-18 | Nut 10-24 Hex (SST)..... | 1 |
| 20 | 00-854649-00001 | Detent - Ball..... | 1 |
| 21 | 00-854652-00001 | Shaft - Handle..... | 1 |
| 22 | 00-854651-00001 | Handle - Crank..... | 1 |
| 23 | NS-015-20 | Nut 1/2-13 Hex (SST)..... | 4 |
| 24 | SC-082-45 | Bolt, Sq. Neck 1/2-20 UNF X 1.750 L..... | 4 |
| 25 | 00-856306-00001 | Weldment, frame - K20ELT..... | 1 |
| | 00-856245-00001 | Weldment, frame - K40ELT..... | 1 |
| | 00-856172-00001 | Weldment, frame - K60ELT..... | 1 |
| 26 | 00-857131-00001 | Gasket, Heating Element (Before S/N 463030197)..... | 1 |
| 27 | 00-856185-00001 | Kit, 208V 18kW Heating Element K40-K60 EL/ELT (4 Bolt Flange) (includes item 26) (Before S/N 463035423)..... | 1 |
| | 00-856185-00002 | Kit, 240V 18kW Heating Element K40-K60 EL/ELT (4 Bolt Flange) (includes item 26) (Before S/N 463035423)..... | 1 |
| | 00-856185-00003 | Kit, 480V 18kW Heating Element K40-K60 EL/ELT (4 Bolt Flange) (includes item 26) (Before S/N 463035423)..... | 1 |
| | 00-856573-00001 | Kit, 208/240V 12kW Heating Element K20EL/ELT (includes item 26) (Before S/N 463035423)..... | 1 |
| | 00-856573-00002 | Kit, 480V 12kW Heating Element K20EL/ELT (includes item 26) (Before S/N 463035423)..... | 1 |
| | 00-856185-00004 | Kit, 208V 24kW Heating Element K40-K60 EL/ELT (4 Bolt Flange) (includes item 26) (Before S/N 463035423)..... | 1 |
| | 00-856185-00005 | Kit, 240V 24kW Heating Element K40-K60 EL/ELT (4 Bolt Flange) (includes item 26) (Before S/N 463035423)..... | 1 |
| | 00-856185-00006 | Kit, 480V 24kW Heating Element K40-K60 EL/ELT (4 Bolt Flange) (includes item 26) (Before S/N 463035423)..... | 1 |
| 28 | SC-041-11 | Cap Screw 5/16-18 x 3/4 Hex Hd. (SST) (Before S/N 463035423)..... | 4 |
| 29 | 00-857130-00001 | Gasket, Heater Cover..... | 1 |
| 30 | 00-857129-00001 | Cover, Heater Access..... | 1 |
| 31 | SC-066-06 | Mach. Screw 10-24 x 1/2 Phil. Truss Hd. (SST)..... | 4 |
| 32 | 00-855957-00001 | Bottom Ring Cover Plate Assembly - K20ELT..... | 1 |
| | 00-856237-00001 | Bottom Ring Cover Plate Assembly - K40ELT..... | 1 |
| | 00-856155-00001 | Bottom Ring Cover Plate Assembly - K60ELT..... | 1 |
| 33 | FP-090-36 | Coupling - Anchor 1/8 (Brass)..... | 1 |
| 34 | 00-856045-00001 | Switch - Pressure..... | 1 |
| 35 | 00-856042-00001 | Sensor - Temperature..... | 1 |
| 36 | 00-855856-00001 | Probe - Water Level..... | 1 |

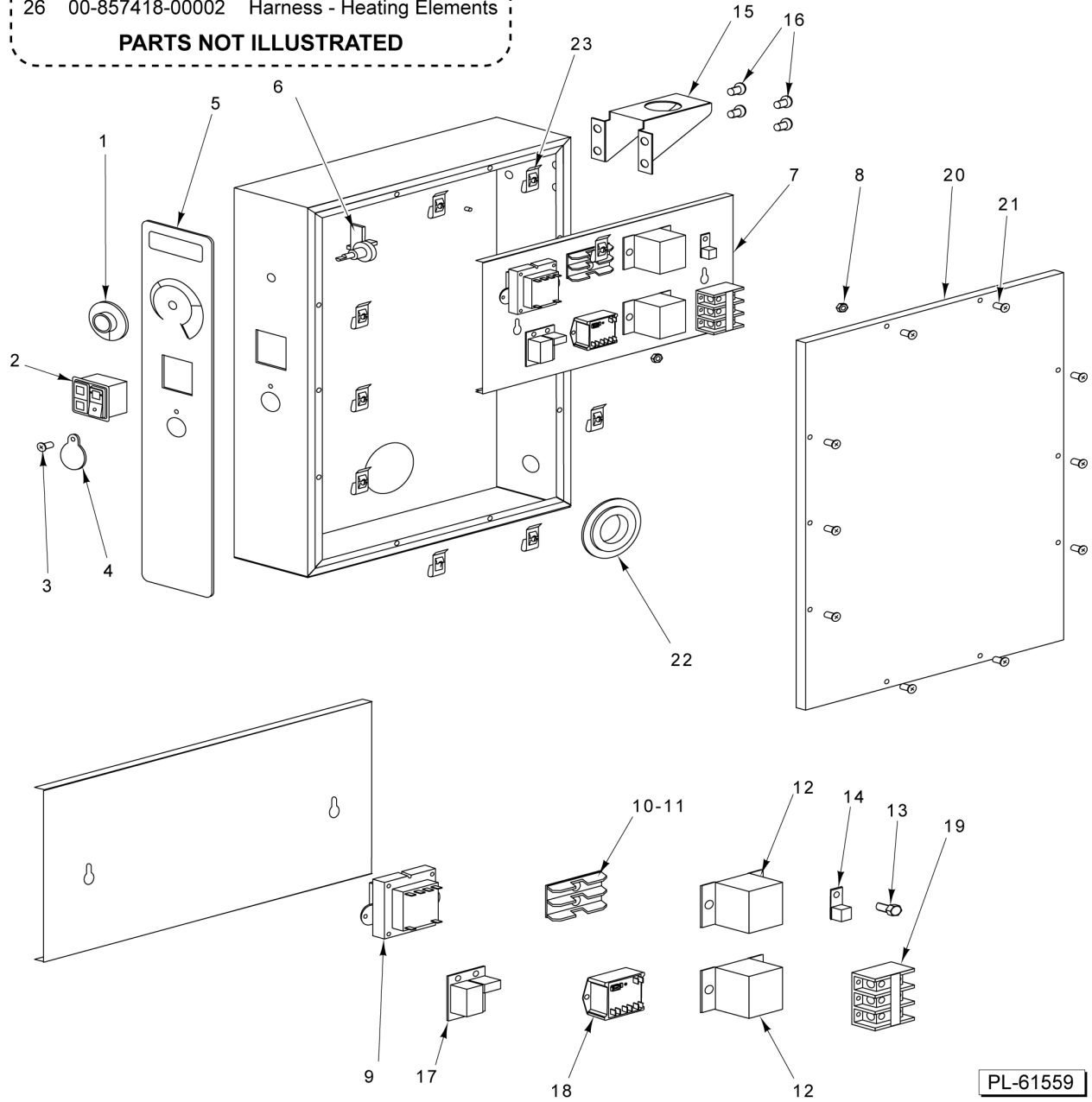
K20ELT, K40ELT, AND K60ELT ASSEMBLY

| ILLUS. | PART NO. | NAME OF PART | AMT. |
|----------|-----------------|---|------|
| PL-61558 | | | |
| 37 | 00-856327-00001 | Pivot Assy..... | 1 |
| 38 | 00-856563-00001 | Plug..... | 1 |
| 39 | FP-054-08 | Pipe 1/2 x 1-1/8 TBE (SST)..... | 2 |
| 40 | 00-833648-00002 | Valve - Swing Check 1/2" (Brass)..... | 1 |
| 41 | 00-833501 | Valve 1/2 Angle..... | 1 |
| 42 | 00-856192-00001 | Strainer, Perforated, 20-gallon..... | 1 |
| | 00-856186-00001 | Strainer, Perforated, 40-gallon..... | 1 |
| | 00-856195-00001 | Strainer, Perforated, 60-gallon..... | 1 |
| 43 | 00-858768-00001 | Gasket (Starting S/N 463035423)..... | 1 |
| 44 | 00-858754-00001 | Element - Heating (208/240 VAC) (12/16 Kw) (K20ELT) (Starting S/N 463035423) | 1 |
| | 00-858758-00002 | Element - Heating (240 VAC) (18 Kw) (K40ELT & K60ELT) (Starting S/N 463035423) | 1 |
| 45 | 00-858769-00001 | Washer (Starting S/N 463035423)..... | 1 |
| 46 | 00-858770-00001 | Screw (Starting S/N 463035423)..... | 1 |

NOTES

- 24 00-857410-00002 Harness - Main
 25 00-857417-00002 Harness - Pressure Switch
 26 00-857418-00002 Harness - Heating Elements

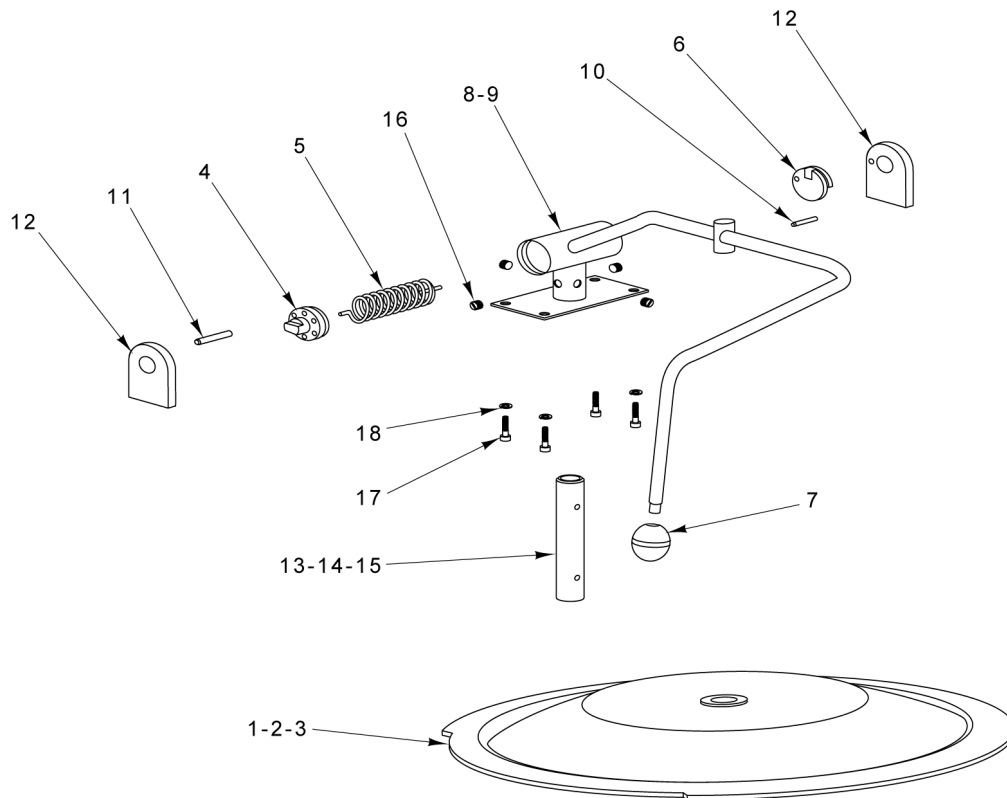
PARTS NOT ILLUSTRATED



K20ELT, K40ELT, AND K60ELT CONTROL PANEL

K20ELT, K40ELT, AND K60ELT CONTROL PANEL

| ILLUS. PL-61559 | PART NO. | NAME OF PART | AMT. |
|--------------------|-----------------|--|------|
| 1 | 00-854647-00001 | Knob - Control..... | 1 |
| 2 | 00-855797-00005 | Switch Assy. (Power with Indicator Lights)..... | 1 |
| 3 | SC-066-06 | Mach. Screw 10-24 x 1/2 Phil. Truss Hd. (SST)..... | 1 |
| 4 | 00-856218-00001 | NLA - Obsolete--Flap - Tilt Handle Opening..... | 1 |
| 5 | 00-856519-00001 | Overlay, KxxELT..... | 1 |
| 6 | 00-857389-00001 | Potentiometer 24MM..... | 1 |
| 7 | 00-857141-00001 | Panel, Electrical..... | 1 |
| 8 | NS-015-01 | Nut 1/4-20 Hex (SST)..... | 2 |
| 9 | 00-294500-00033 | Transformer..... | 1 |
| 10 | 00-855028-00001 | Block - Fuse..... | 1 |
| 11 | 00-854700-00001 | Fuse - Class CC 3 Amp Time Delay..... | AR |
| 12 | 00-840115 | Contactora (25 Amp.) Block..... | 2 |
| 13 | SC-120-23 | Mach. Screw 10-24 x 3/8 Hex Hd. Ground..... | 1 |
| 14 | 00-118544-00002 | Lug - Grounding..... | 1 |
| 15 | 00-855902-00001 | Bracket - Faucet Mounting..... | 1 |
| 16 | SC-041-50 | Cap Screw 1/4-20 x 1/2 Hex Hd. (SST)..... | 1 |
| 17 | 00-844070-00001 | Control - Low Water..... | 1 |
| 18 | 00-857112-00001 | Controller - Temperature..... | 1 |
| 19 | 00-410472-00008 | Block - Terminal (3-Pole)..... | 1 |
| 20 | 00-857143-00001 | Assembly, Power Box Lid..... | 1 |
| 21 | SD-019-29 | Self-Tapping Screw 6-20 x 1/2 Phil. Pan Hd., Type B..... | 11 |
| 22 | 00-856380-00001 | Seal, Shaft..... | 1 |
| 23 | 00-854766-00001 | Speed Nut, J Type-1024..... | 11 |
| 24 | 00-857410-00002 | Harness - Main..... | 1 |
| 25 | 00-857417-00002 | Harness - Pressure Switch..... | 1 |
| 26 | 00-857418-00002 | Harness - Heating Element..... | 1 |

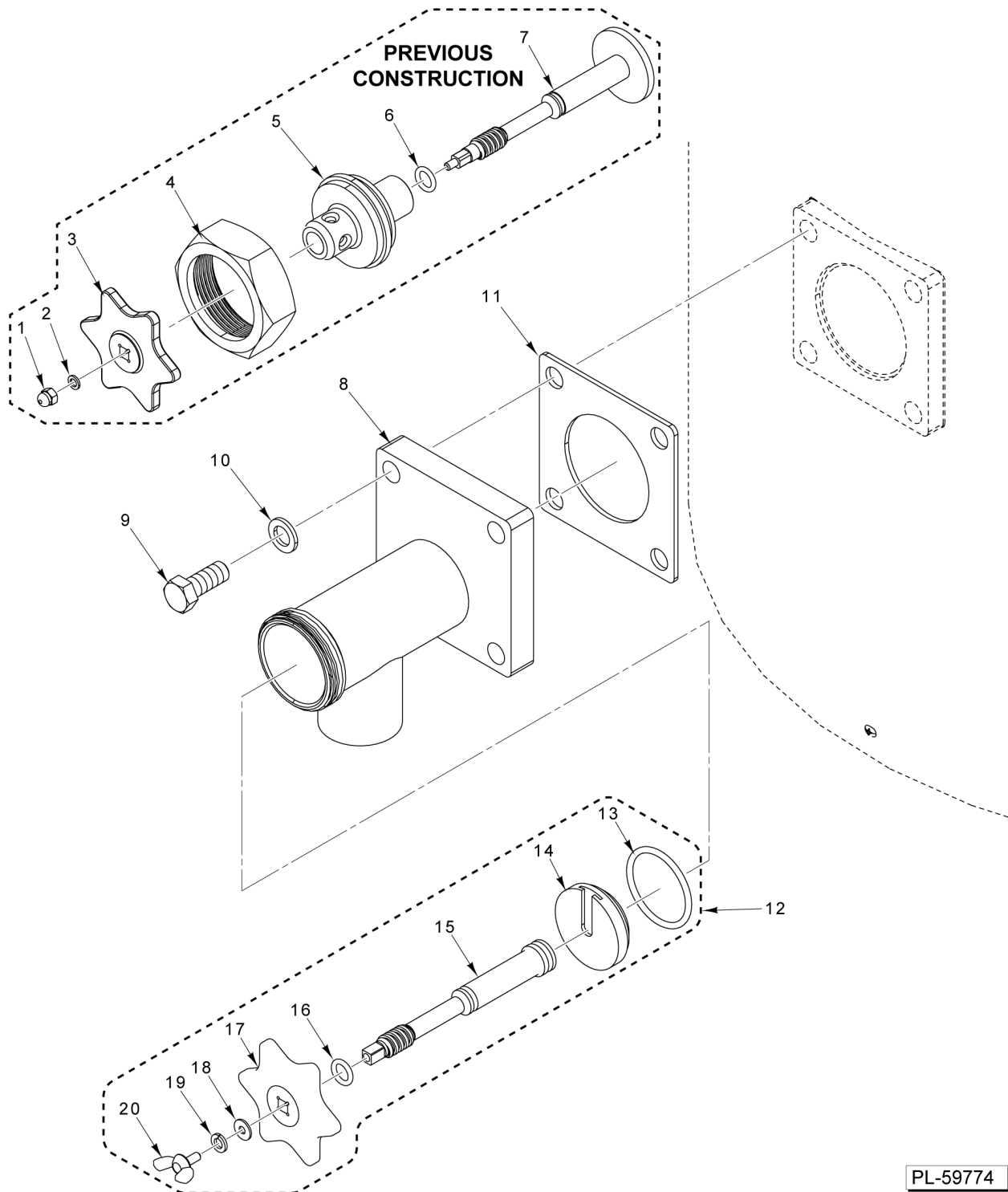


PL-61560

OPTIONAL SPRING ASSIST COVER

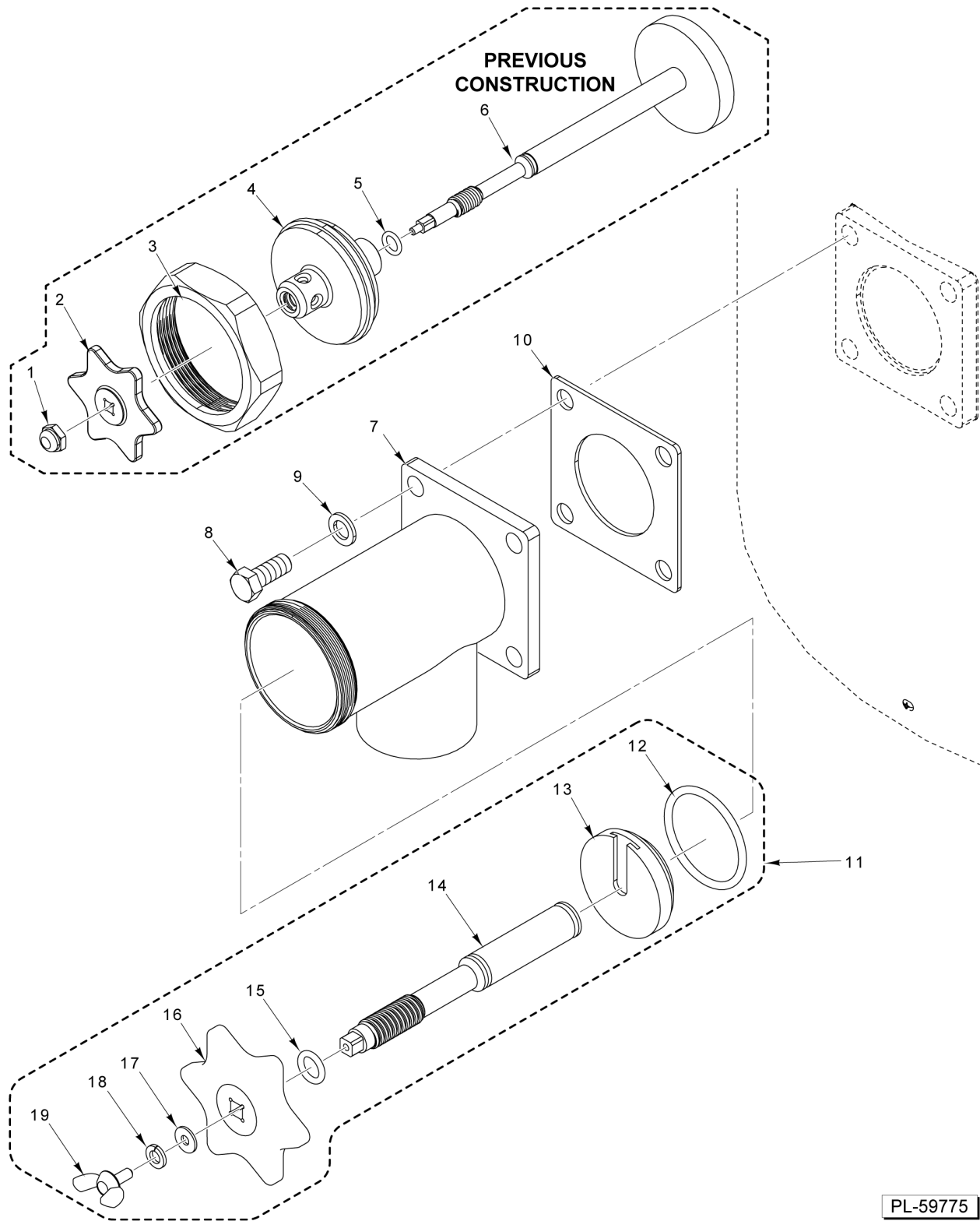
OPTIONAL SPRING ASSIST COVER

| ILLUS. PL-61560 | PART NO. | NAME OF PART | AMT. |
|--------------------|-----------------|--|------|
| 1 | 00-856490-00005 | Lid Assy. 20 Gal (with Condensate Ring)..... | 1 |
| 2 | 00-856495-00004 | Lid Assy. 40 Gal (with Condensate Ring)..... | 1 |
| 3 | 00-856500-00002 | Lid Assy. 60 Gal (with Condensate Ring)..... | 1 |
| 4 | 00-853292-00001 | Disc - Tension Adjustment..... | 1 |
| 5 | 00-853289-00001 | Spring - Torsion..... | 1 |
| 6 | 00-853293-00001 | Disc - Rotary Stop..... | 1 |
| 7 | 00-853285-00001 | Knob - Press On..... | 1 |
| 8 | 00-856511-00001 | Weldment, Handle, 40 Gal, Tilt..... | 1 |
| 9 | 00-856514-00001 | Weldment, Handle, 60 Gal, Tilt..... | 1 |
| 10 | RP-004-31 | Roll Pin 1/4 x 1..... | 1 |
| 11 | 00-853284-00001 | Pin - Lock..... | 1 |
| 12 | 00-858765-00001 | Kit - Heavy Duty Hinge..... | 1 |
| 13 | 00-856311-00002 | Mast, Support Lid, 8.125" long, K20ELT..... | 1 |
| 14 | 00-856311-00003 | Mast, Support Lid, 10.750" long, K40ELT..... | 1 |
| 15 | 00-856311-00006 | Mast, Support Lid, 12.625" long, K60ELT..... | 1 |
| 16 | SC-047-12 | Set Screw 1/4-20 x 3/8 Socket Hdls., Knife Cup Pt..... | 4 |
| 17 | SC-110-98 | Cap Screw 1/4-20 x 3/4 Hex Socket Hd. (SST)..... | 4 |
| 18 | WL-006-07 | Lockwasher #10 Helical (SST)..... | 4 |



**DRAW-OFF VALVE ASSEMBLY
(2 INCH)**

| ILLUS. PL-59774 | PART NO. | NAME OF PART | AMT. |
|--------------------|-----------------|--|------|
| 1 | 00-856213-00008 | Nut (Previous Construction)..... | 1 |
| 2 | 00-856213-00009 | Washer (Previous Construction)..... | 1 |
| 3 | 00-856213-00005 | Handle (Previous Construction)..... | 1 |
| 4 | 00-856213-00004 | Nut - Hex (Previous Construction)..... | 1 |
| 5 | 00-856213-00006 | Retainer (Previous Construction)..... | 1 |
| 6 | 00-856213-00007 | O-Ring (Previous Construction)..... | 1 |
| 7 | 00-856213-00003 | Disc & Stem Assy. (Previous Construction)..... | 1 |
| 8 | 00-857978-00001 | Valve Body (2 In.)..... | 1 |
| 9 | SC-041-44 | Cap Screw 1/2-13 x 1-1/4 Hex Hd. (SST)..... | 4 |
| 10 | WL-006-35 | Lockwasher 1/2 Light..... | 4 |
| 11 | 00-855830-00001 | Gasket - Draw-Off Valve..... | 1 |
| 12 | 00-857918-00001 | Plunger - Stem (Incls. Items 13 thru 20) (Current Construction)..... | 1 |
| 13 | 00-857918-00004 | O-Ring - Nylon (Current Construction)..... | 1 |
| 14 | 00-857918-00003 | Seal - Nylon (2 In.) (Current Construction)..... | 1 |
| 15 | 00-857918-00002 | Stem (Current Construction)..... | 1 |
| 16 | 00-857918-00005 | O-Ring (Current Construction)..... | 1 |
| 17 | 00-857918-00006 | Handle (Current Construction)..... | 1 |
| 18 | 00-857918-00009 | Flatwasher (Current Construction)..... | 1 |
| 19 | 00-857918-00008 | Lockwasher (Current Construction)..... | 1 |
| 20 | 00-857918-00007 | Wingnut (Current Construction)..... | 1 |

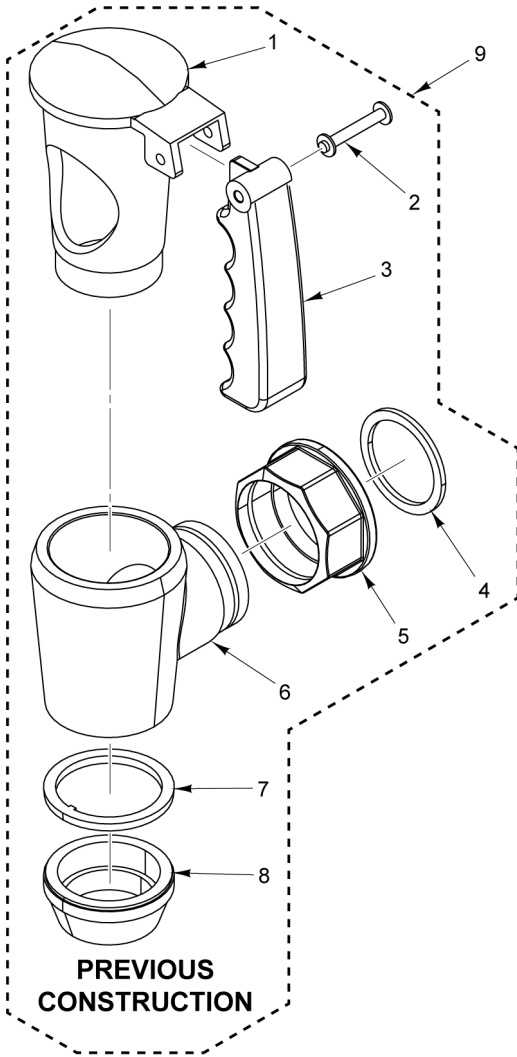


**DRAW-OFF VALVE ASSEMBLY
(3 INCH)**

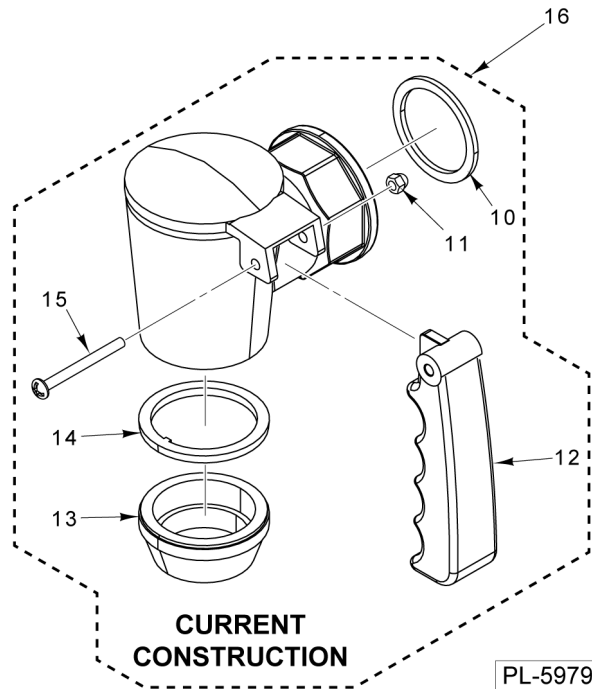
DRAW-OFF VALVE ASSEMBLY (3 INCH)

| ILLUS. PL-59775 | PART NO. | NAME OF PART | AMT. |
|--------------------|-----------------|--|------|
| 1 | 00-359996-00007 | Nut - Acorn (Previous Construction)..... | 1 |
| 2 | 00-359996-00005 | Handle (Previous Construction)..... | 1 |
| 3 | 00-359996-00004 | Hex Nut (Previous Construction)..... | 1 |
| *4 | 00-857977-00003 | Retainer (Previous Construction)..... | 1 |
| 5 | 00-359996-00006 | O-ring (Previous Construction)..... | 1 |
| 6 | 00-359996-00002 | Disc and Stem Assembly (Previous Construction)..... | 1 |
| 7 | 00-857978-00002 | Valve Body (3 In.)..... | 1 |
| 8 | SC-041-44 | Cap Screw 1/2-13 x 1-1/4 Hex Hd. (SST)..... | 4 |
| 9 | WL-006-35 | Lockwasher 1/2 Light..... | 4 |
| 10 | 00-855830-00001 | Gasket - Draw-Off Valve..... | 1 |
| 11 | 00-857919-00001 | Stem Plunger Assy. (3 In.) (Incls. Items 12 thru 19) (Current Construction)..... | 1 |
| 12 | 00-857919-00004 | O-Ring (Current Construction)..... | 1 |
| 13 | 00-857919-00003 | Seal, Nylon 3 In. (Current Construction)..... | 1 |
| 14 | 00-857919-00002 | Stem (Current Construction)..... | 1 |
| 15 | 00-857919-00005 | O-Ring (Current Construction)..... | 1 |
| 16 | 00-857919-00006 | Handle (SST) (Current Construction)..... | 1 |
| 17 | 00-857919-00009 | Washer - Flat (SST) (Current Construction)..... | 1 |
| 18 | 00-857919-00008 | Washer - Lock (SST) (Current Construction)..... | 1 |
| 19 | 00-857919-00007 | Screw - Wing M6 x 12 (SST) (Current Construction)..... | 1 |

* Call for Price and Availability



- 17 00-856569-00002 Plate - Valve Mount
 - 18 00-855830-00001 Gasket - Draw-Off Valve
- PARTS NOT ILLUSTRATED**



PL-59795

**PLUG VALVE
(2 INCH)**

**PLUG VALVE
(2 INCH)**

| ILLUS. | PART NO. | NAME OF PART | AMT. |
|--------|-----------------|--|------|
| 1 | 00-857547-00004 | Plug - Valve (Draw-Off) (Previous Construction)..... | 1 |
| 2 | 00-857547-00007 | Pin - Retaining (Previous Construction)..... | 1 |
| 3 | 00-857547-00006 | Handle - Athermic (Previous Construction)..... | 1 |
| 4 | 00-857170-00009 | Gasket - Coupling (Previous Construction)..... | 1 |
| 5 | 00-857547-00003 | Coupling - Valve (Draw-Off) (Previous Construction)..... | 1 |
| 6 | 00-857547-00002 | Valve Body (Draw-Off) (Previous Construction)..... | 1 |
| 7 | 00-857547-00005 | Washer (Previous Construction)..... | 1 |
| 8 | 00-857547-00008 | Ring - Metal (Previous Construction)..... | 1 |
| 9 | 00-857547-00001 | Draw-Off Valve Assy. (2 In., Plug Type) (Incls. Items 1 thru 8) (Previous Construction) | 1 |
| 10 | 00-858268-00009 | Gasket (Current Construction)..... | 1 |
| 11 | 00-858268-00010 | Nut, M6 (SST) (Current Construction)..... | 1 |
| 12 | 00-858268-00006 | Handle (Current Construction)..... | 1 |
| 13 | 00-858268-00003 | Nut, Valve Plug (Current Construction)..... | 1 |
| 14 | 00-858268-00004 | Washer (Current Construction)..... | 1 |
| 15 | 00-858268-00007 | Screw M6 x 50 (Current Construction)..... | 1 |
| 16 | 00-858268-00001 | Draw-Off Valve Assy. 2 In. (Incls. Items 10 thru 15) (Current Construction)..... | 1 |
| 17 | 00-856569-00002 | Plate - Valve Mount..... | 1 |
| 18 | 00-855830-00001 | Gasket - Draw-Off Valve..... | 1 |

