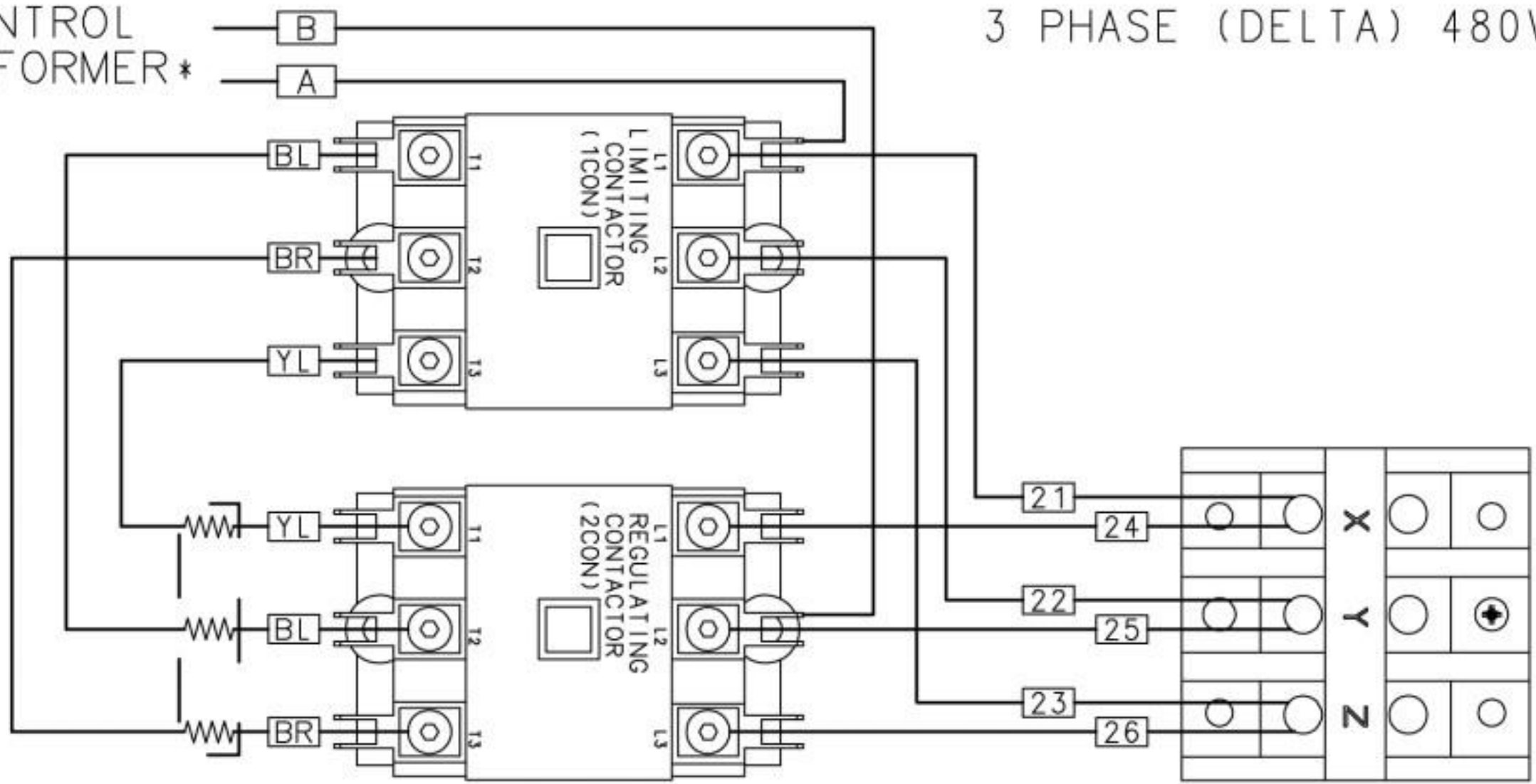


**DERIVED FROM
00-857449-2**

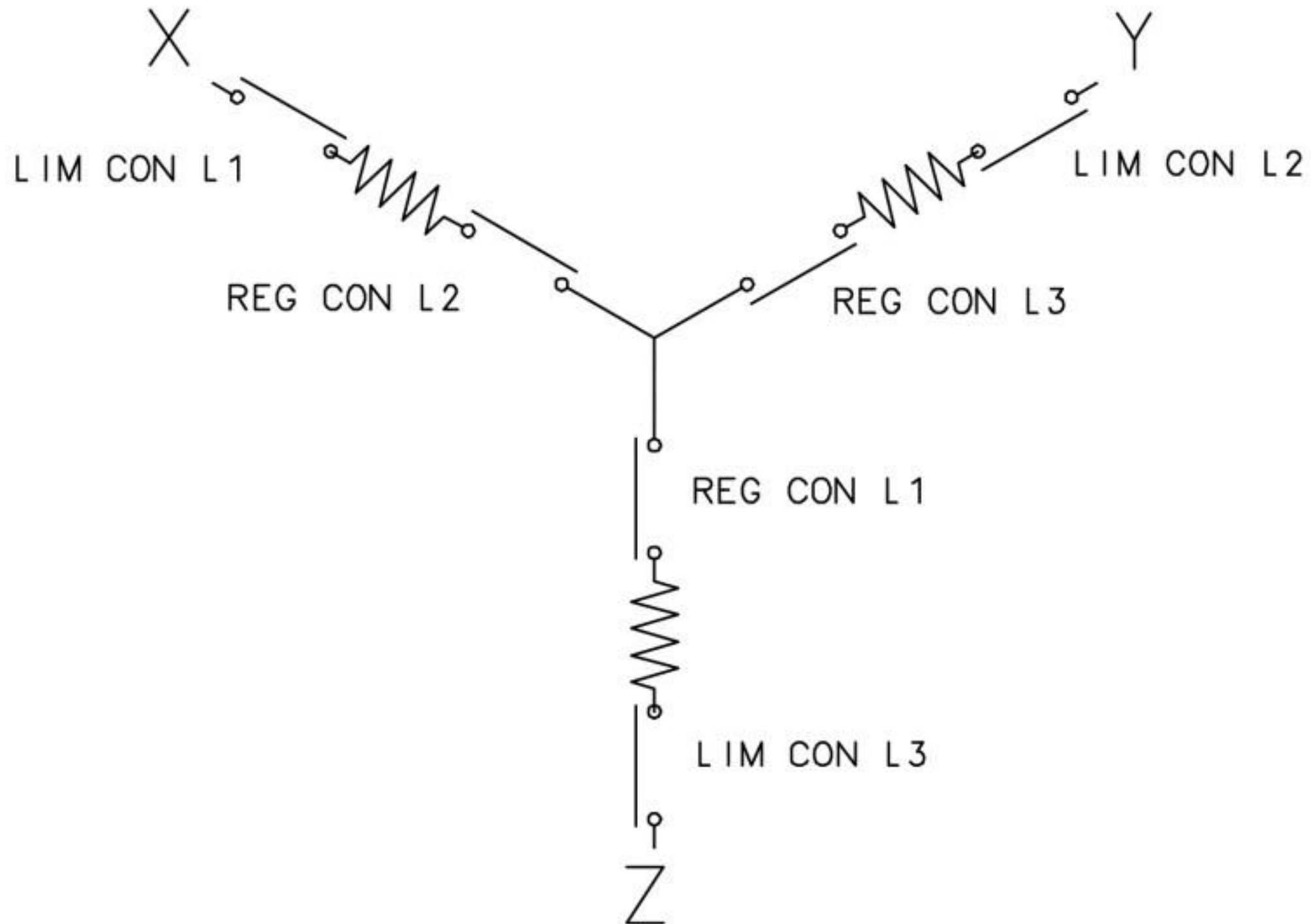
TO CONTROL
TRANSFORMER *

3 PHASE (DELTA) 480V



* PRIMARY TAPS OF CONTROL TRANSFORMER MUST BE CONNECTED ACCORDING TO THE APPLIANCE DATA PLATE VOLTAGE MARKING AND ACTUAL CONNECTED SUPPLY

WIRING DIAGRAM 3-PH WYE



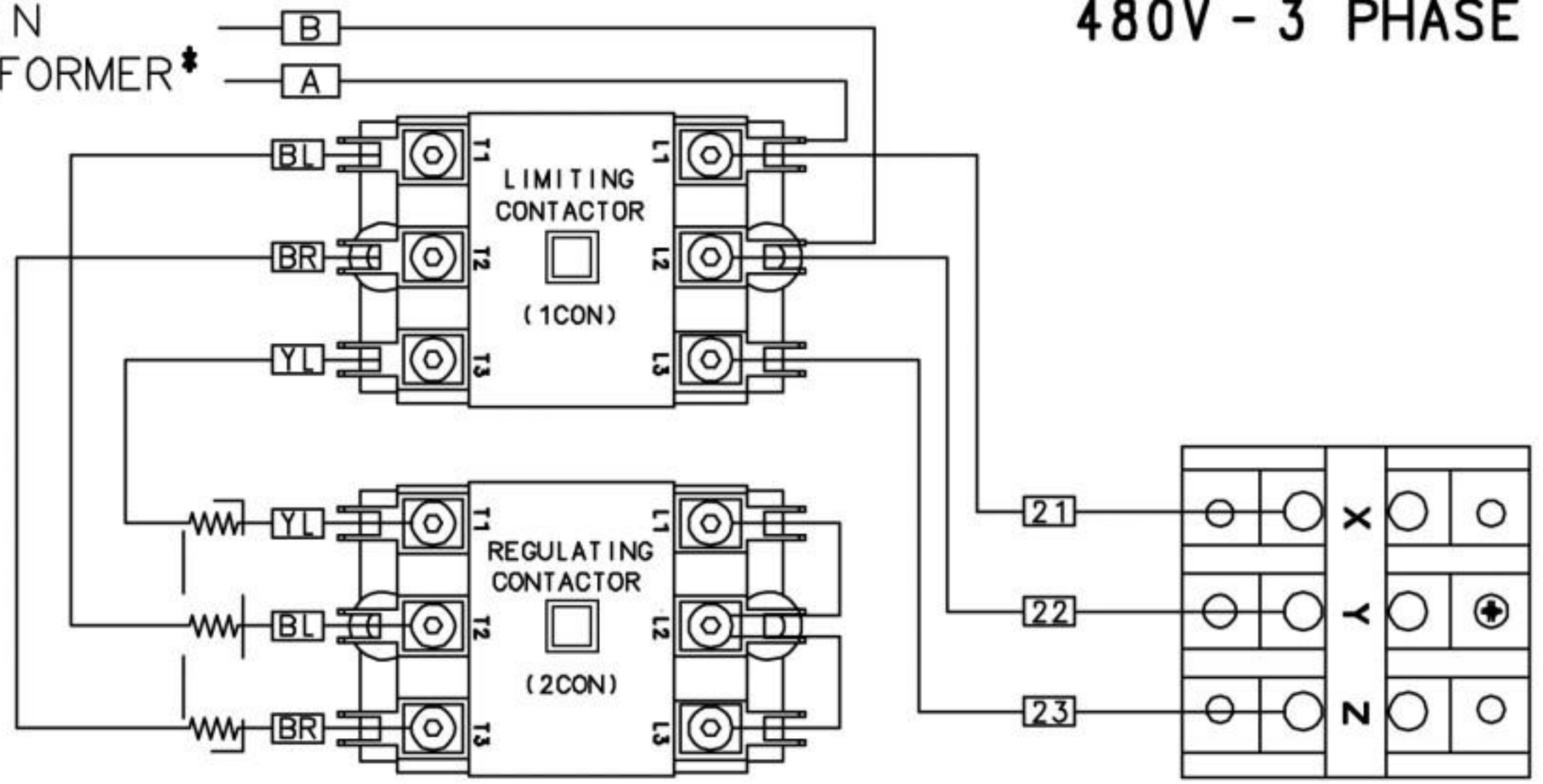
DERIVED FROM:
857449-1

MODELS - K20EL/K20ELT, K40EL/K40ELT, K60EL/K60ELT

AI3433

TO MAIN TRANSFORMER*

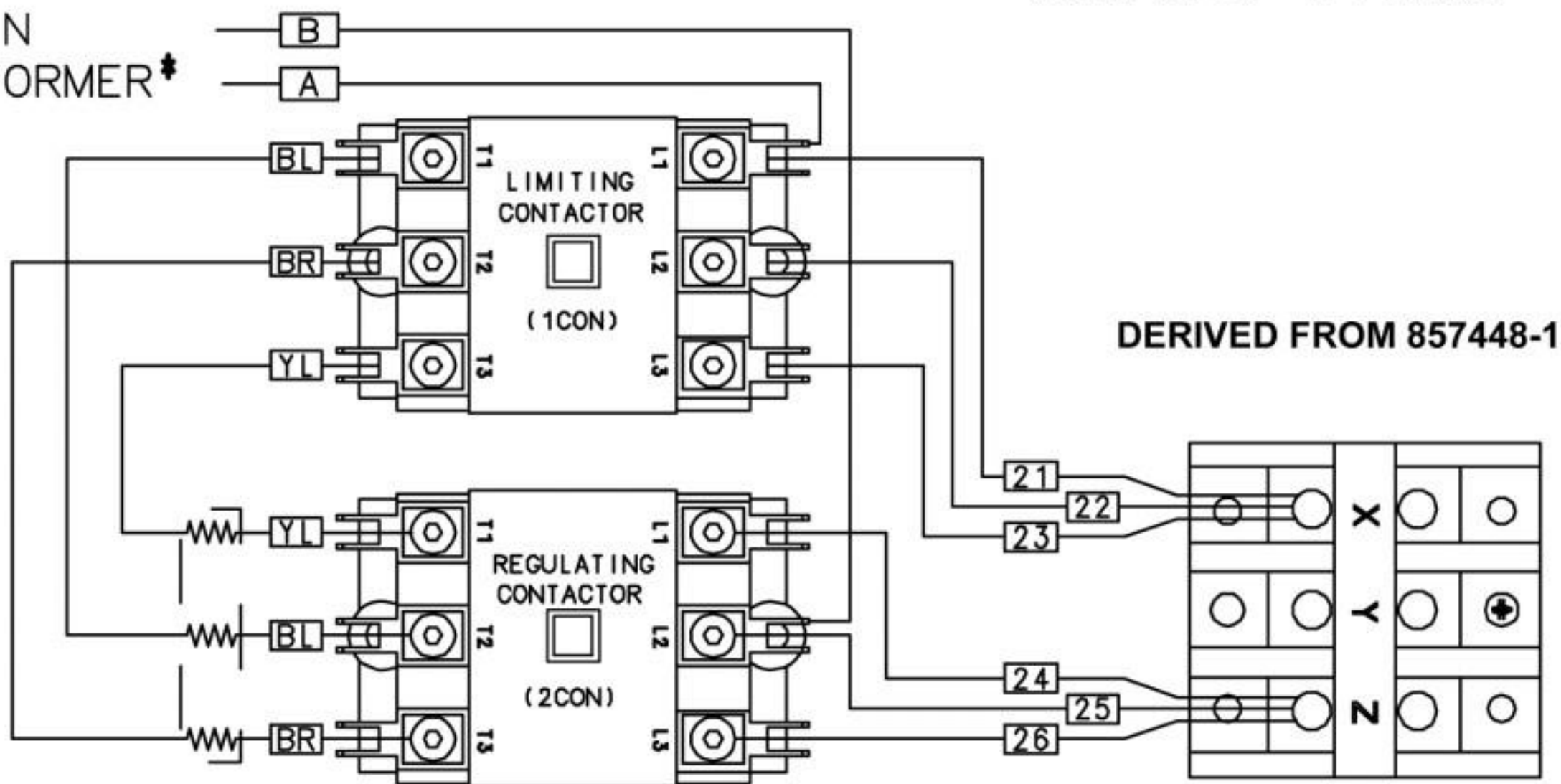
480V - 3 PHASE



* MAIN TRANSFORMER PRIMARY MUST BE CONNECTED ACCORDING TO THE KETTLE DATA PLATE VOLTAGE AND THE ACTUAL VOLTAGE SUPPLY

208/240V - 1 PHASE

TO MAIN TRANSFORMER*



DERIVED FROM 857448-1

* MAIN TRANSFORMER PRIMARY MUST BE CONNECTED ACCORDING TO THE KETTLE DATA PLATE VOLTAGE AND THE ACTUAL VOLTAGE SUPPLY

MODELS - K20EL/K20ELT, K40EL/K40ELT, K60EL/K60ELT

AI3432

TO MAIN
TRANSFORMER ⚡

208/240V - 3 PHASE

