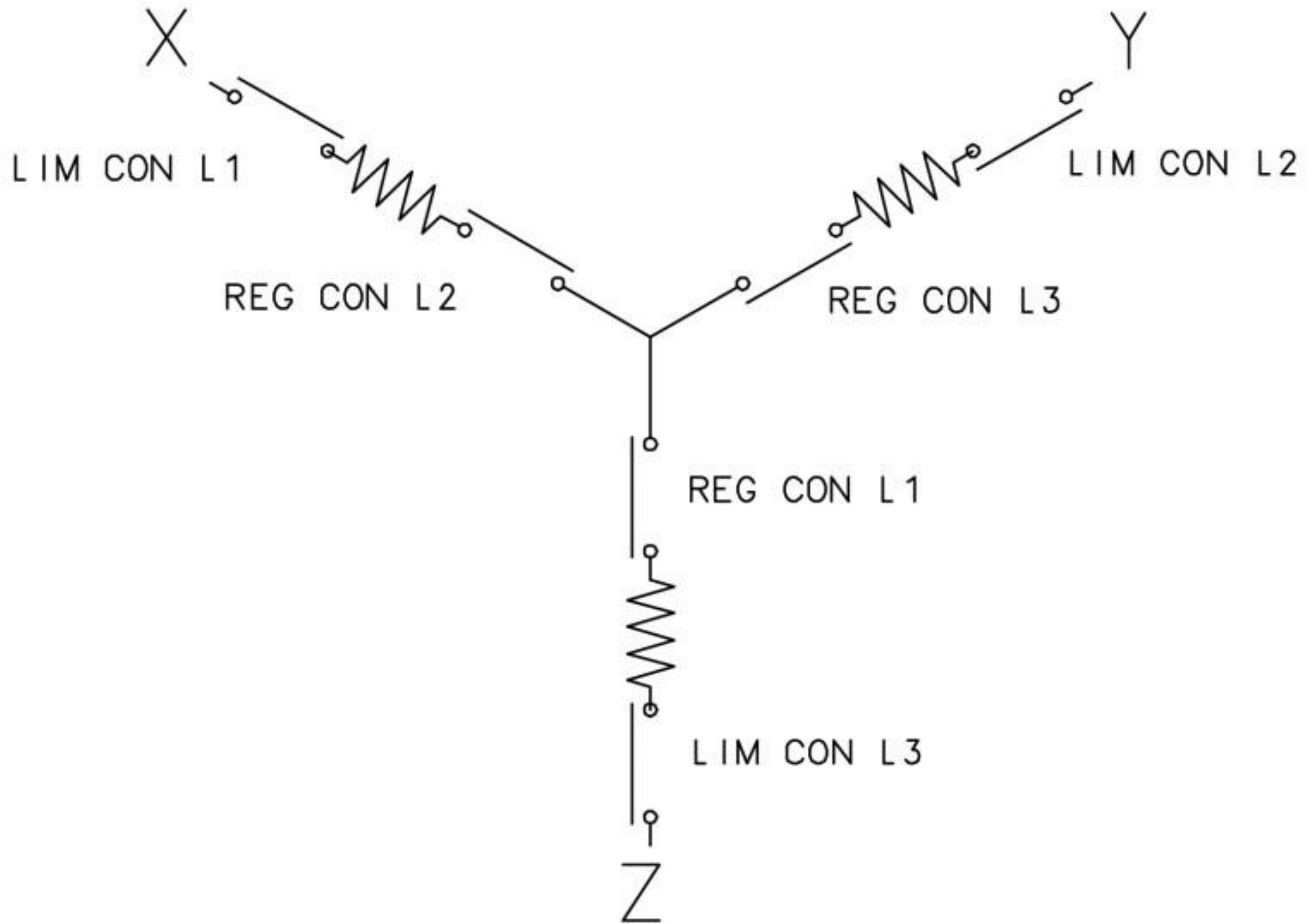
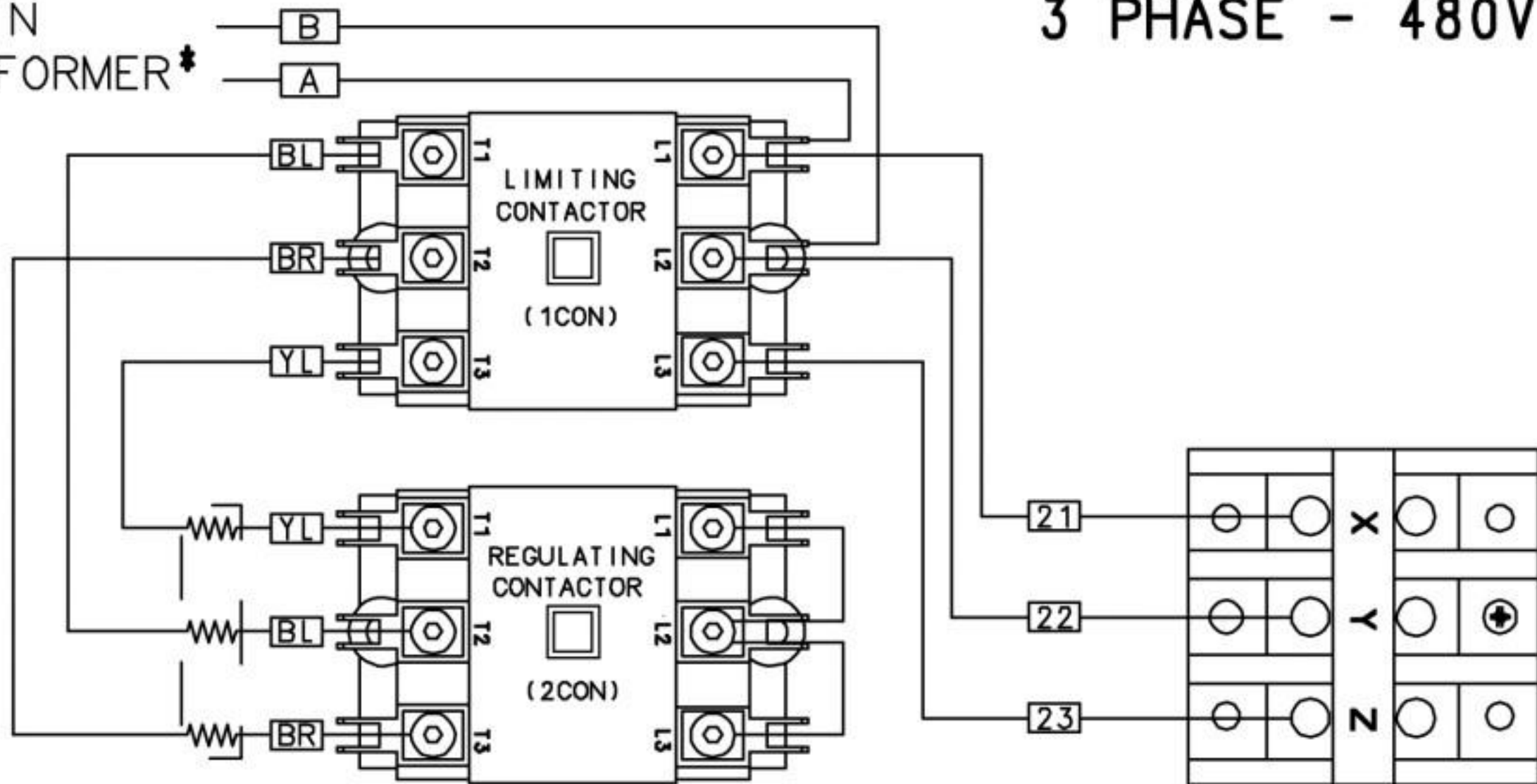


WIRING DIAGRAM 3-PH WYE



TO MAIN
TRANSFORMER*

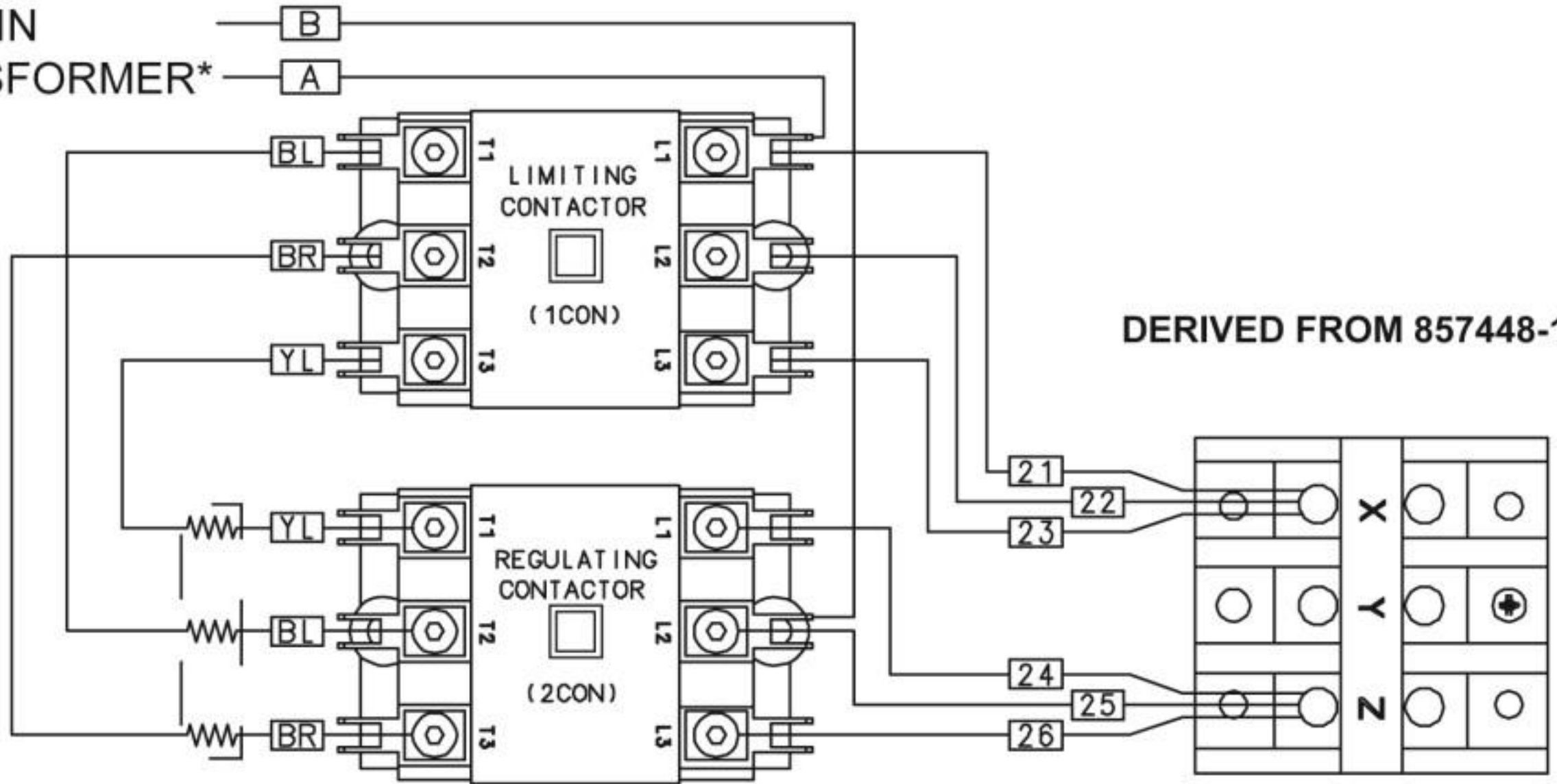
3 PHASE - 480V



* MAIN TRANSFORMER PRIMARY MUST BE CONNECTED ACCORDING TO THE KETTLE DATA PLATE VOLTAGE AND THE ACTUAL VOLTAGE SUPPLY

208/240V - 1 PHASE

TO MAIN
TRANSFORMER*



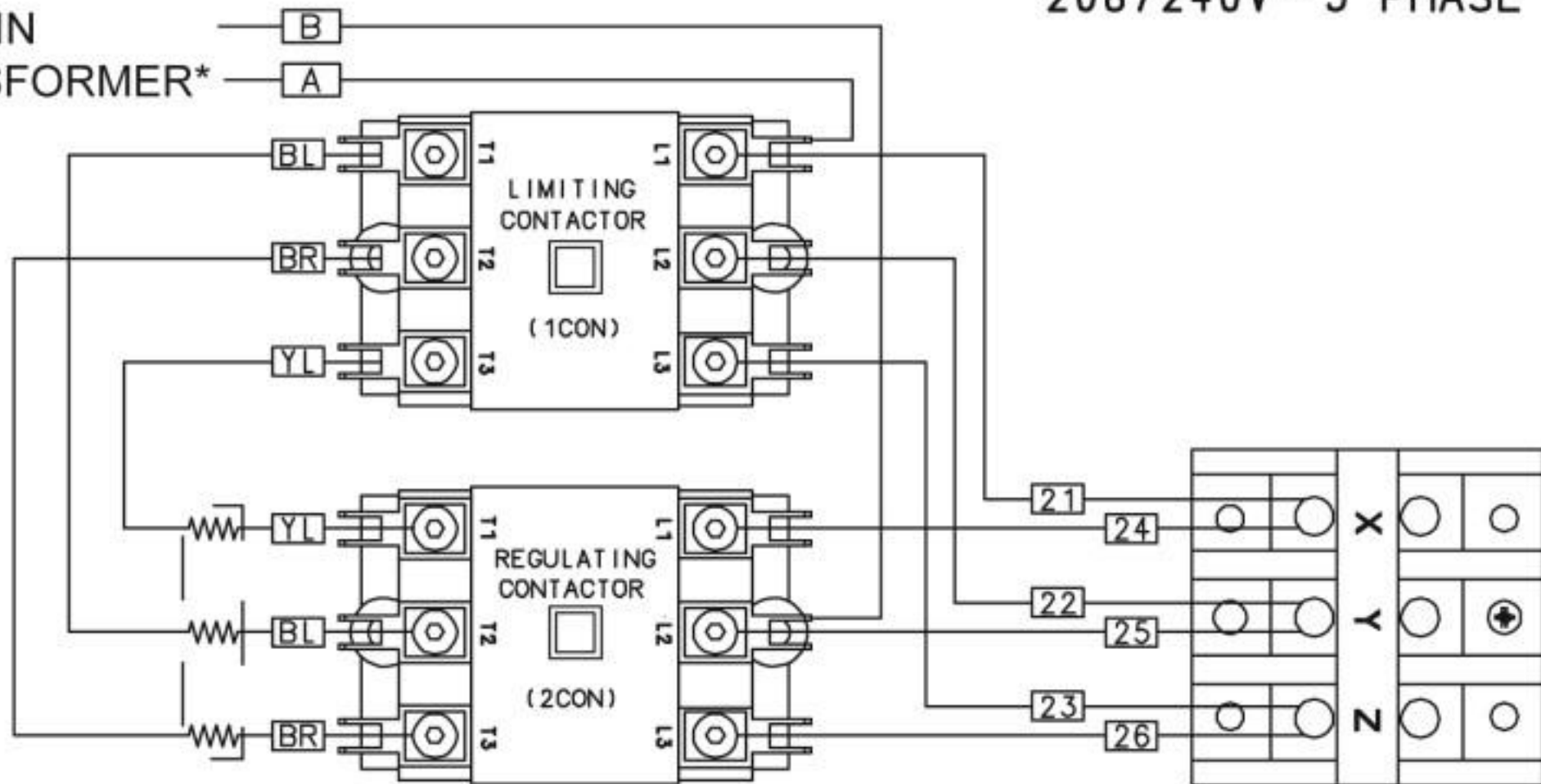
* MAIN TRANSFORMER PRIMARY MUST BE CONNECTED ACCORDING TO THE KETLE DATA PLATE VOLTAGE AND THE ACTUAL VOLTAGE SUPPLY

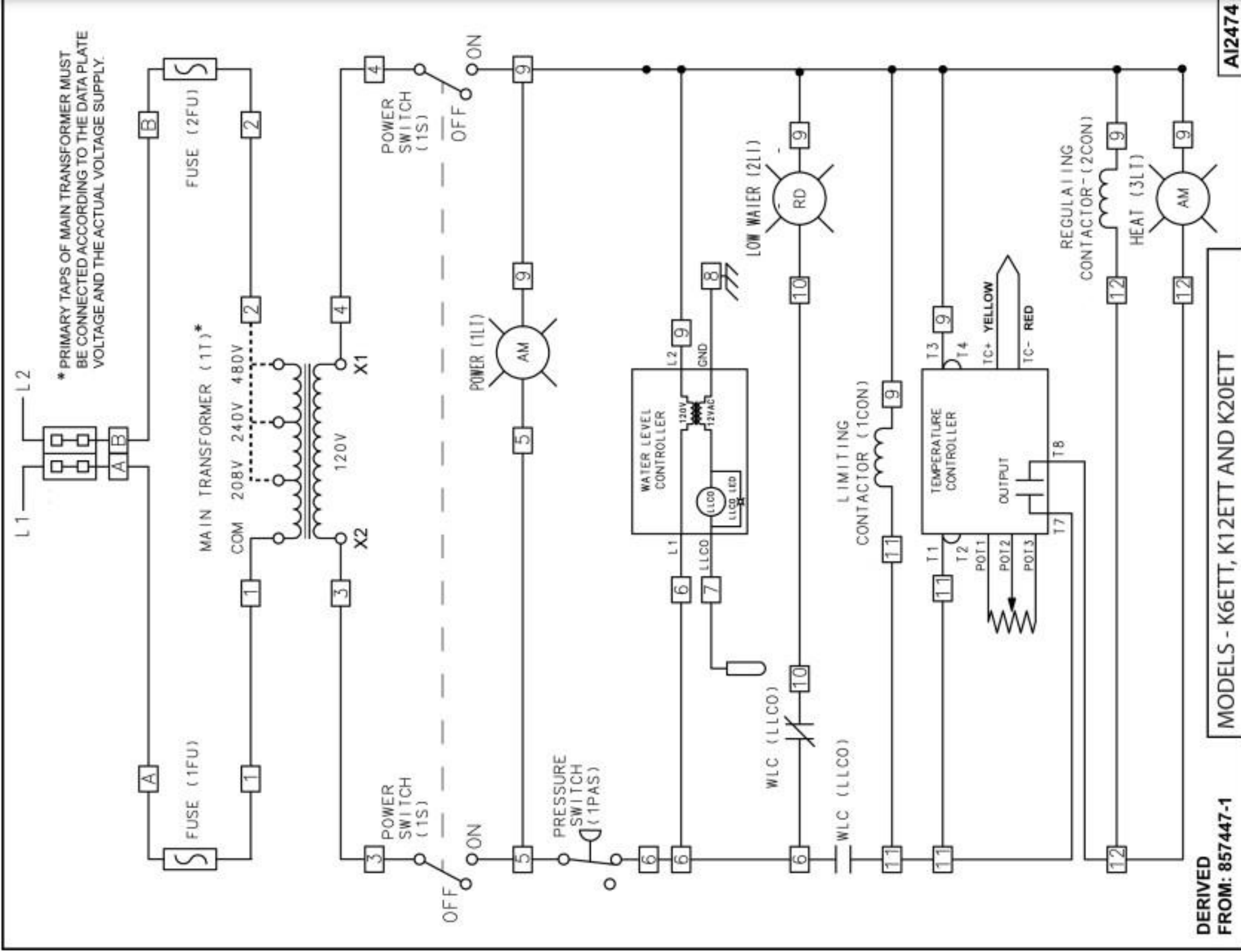
MODELS - K6ETT, K12ETT AND K20ETT

AI2475

208/240V - 3 PHASE

TO MAIN
TRANSFORMER*





DERIVED FROM: 857447-1

MODELS - K6ETT, K12ETT AND K20ETT

AI2474

Fig. 39

WATER LEVEL CONTROL (WLC LLCO)

