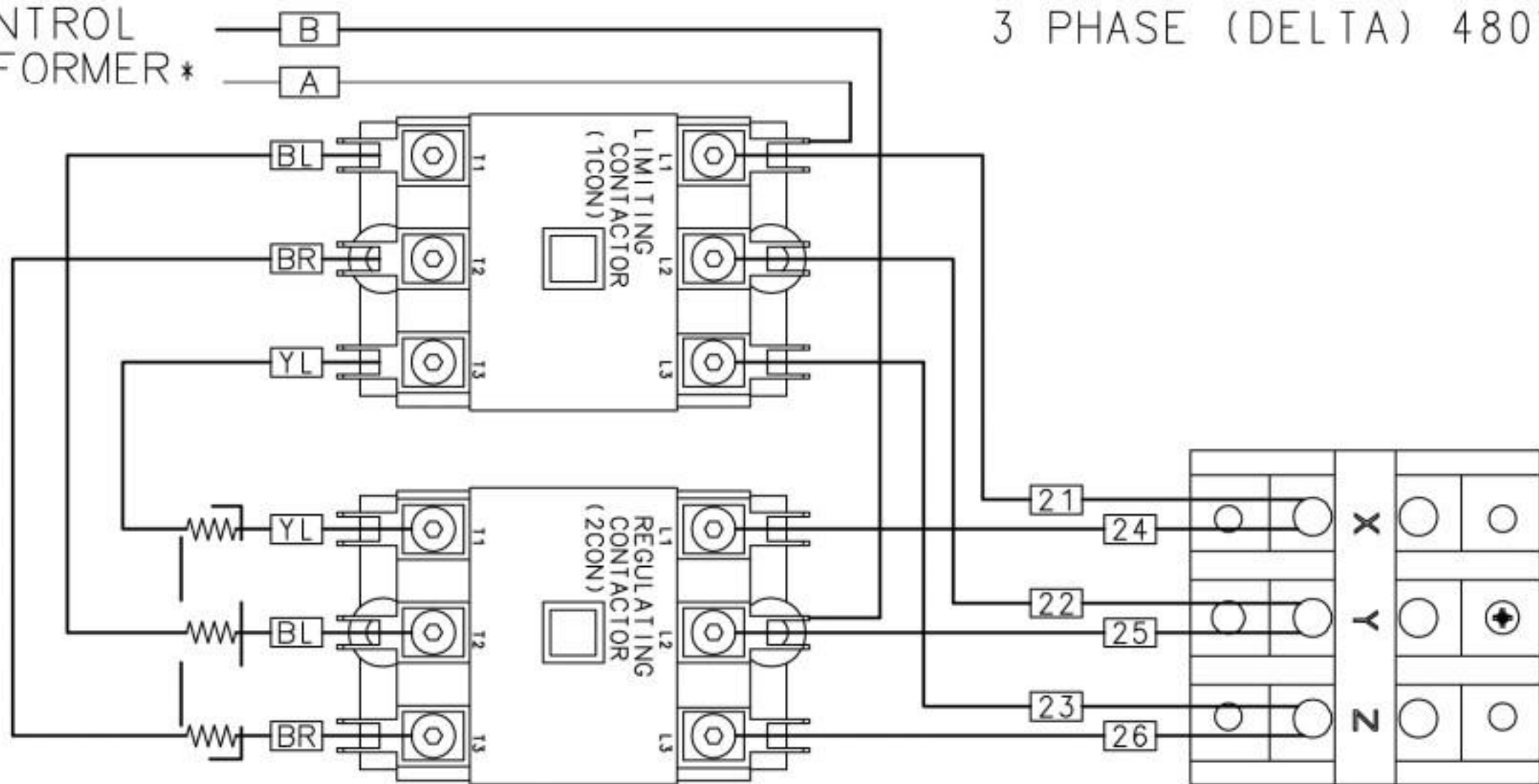


**DERIVED FROM
00-857449-2**

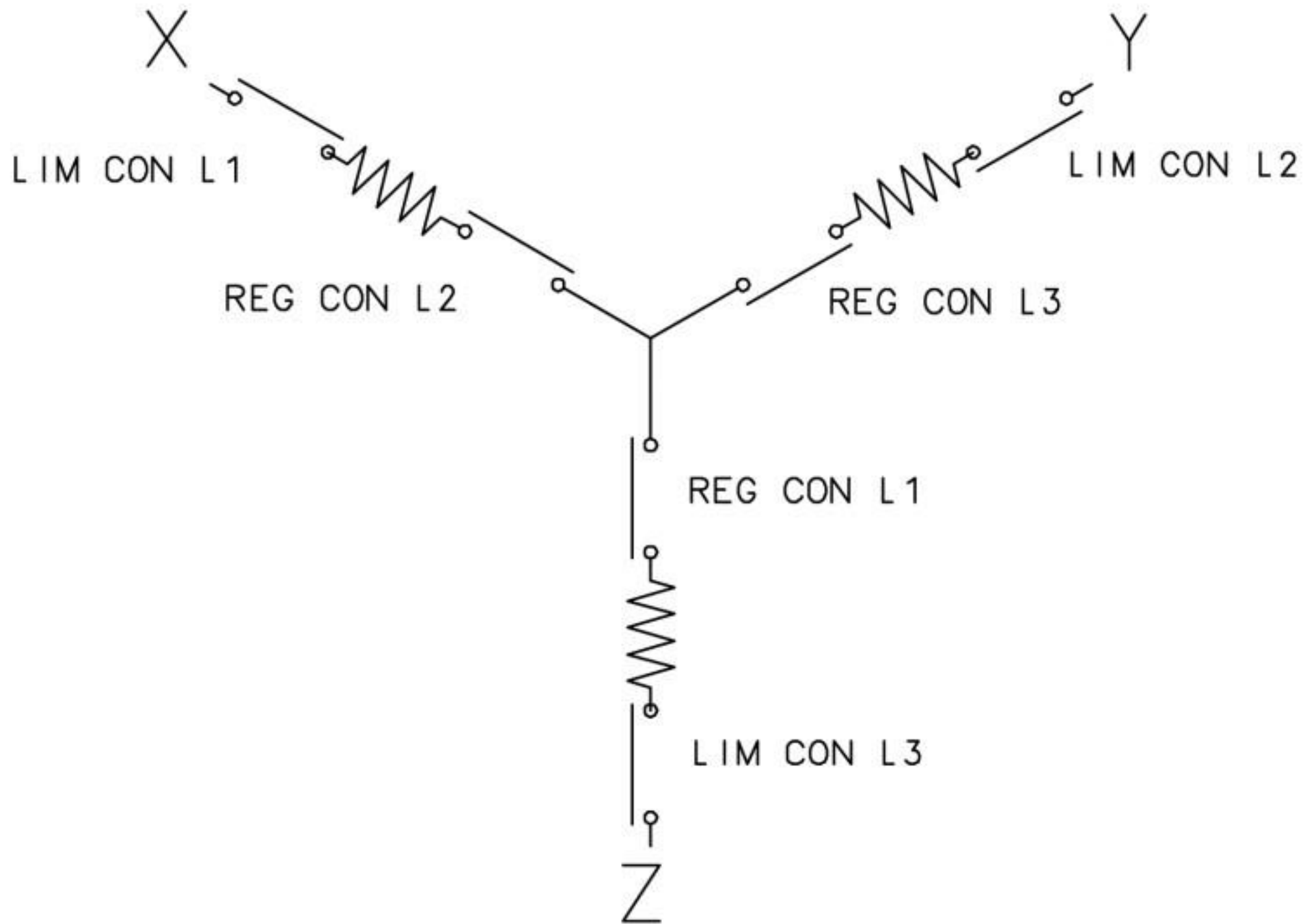
TO CONTROL
TRANSFORMER*

3 PHASE (DELTA) 480V



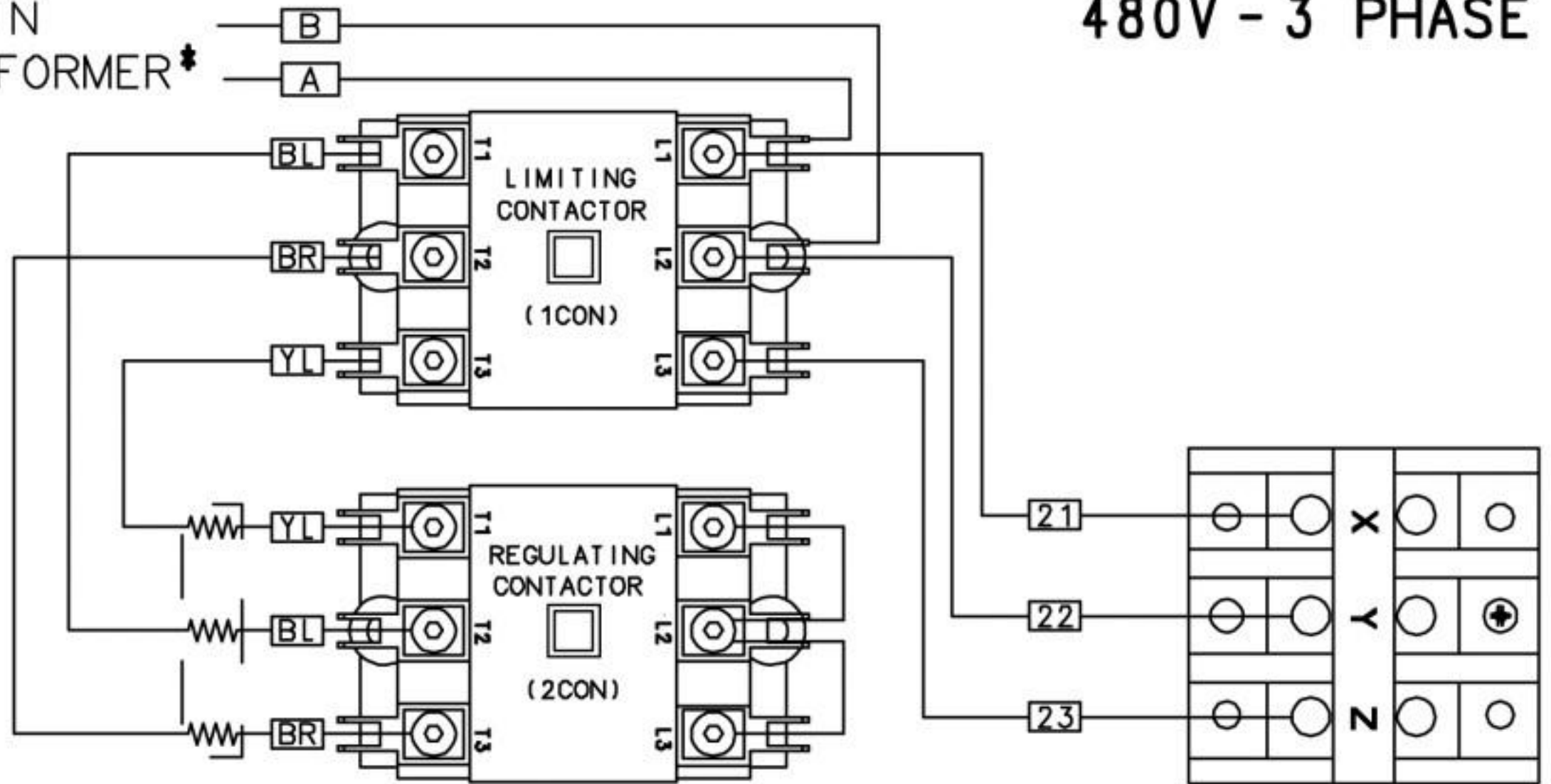
*PRIMARY TAPS OF CONTROL TRANSFORMER MUST BE CONNECTED ACCORDING TO THE APPLIANCE DATA PLATE VOLTAGE MARKING AND ACTUAL CONNECTED SUPPLY

WIRING DIAGRAM 3-PH WYE



TO MAIN
TRANSFORMER*

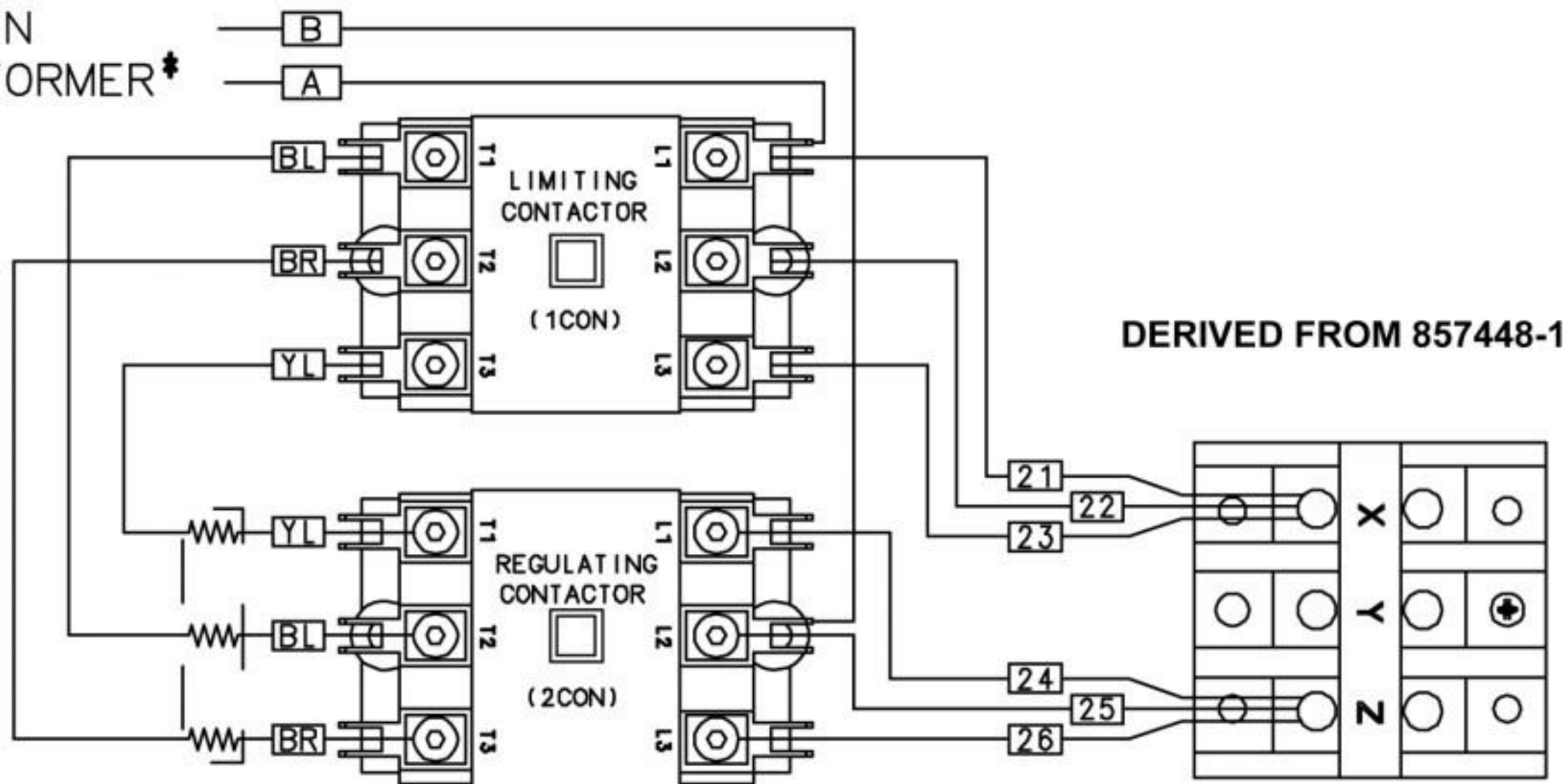
480V - 3 PHASE



* MAIN TRANSFORMER PRIMARY MUST BE CONNECTED ACCORDING TO THE KETTLE DATA PLATE VOLTAGE AND THE ACTUAL VOLTAGE SUPPLY

208/240V - 1 PHASE

TO MAIN
TRANSFORMER*



DERIVED FROM 857448-1

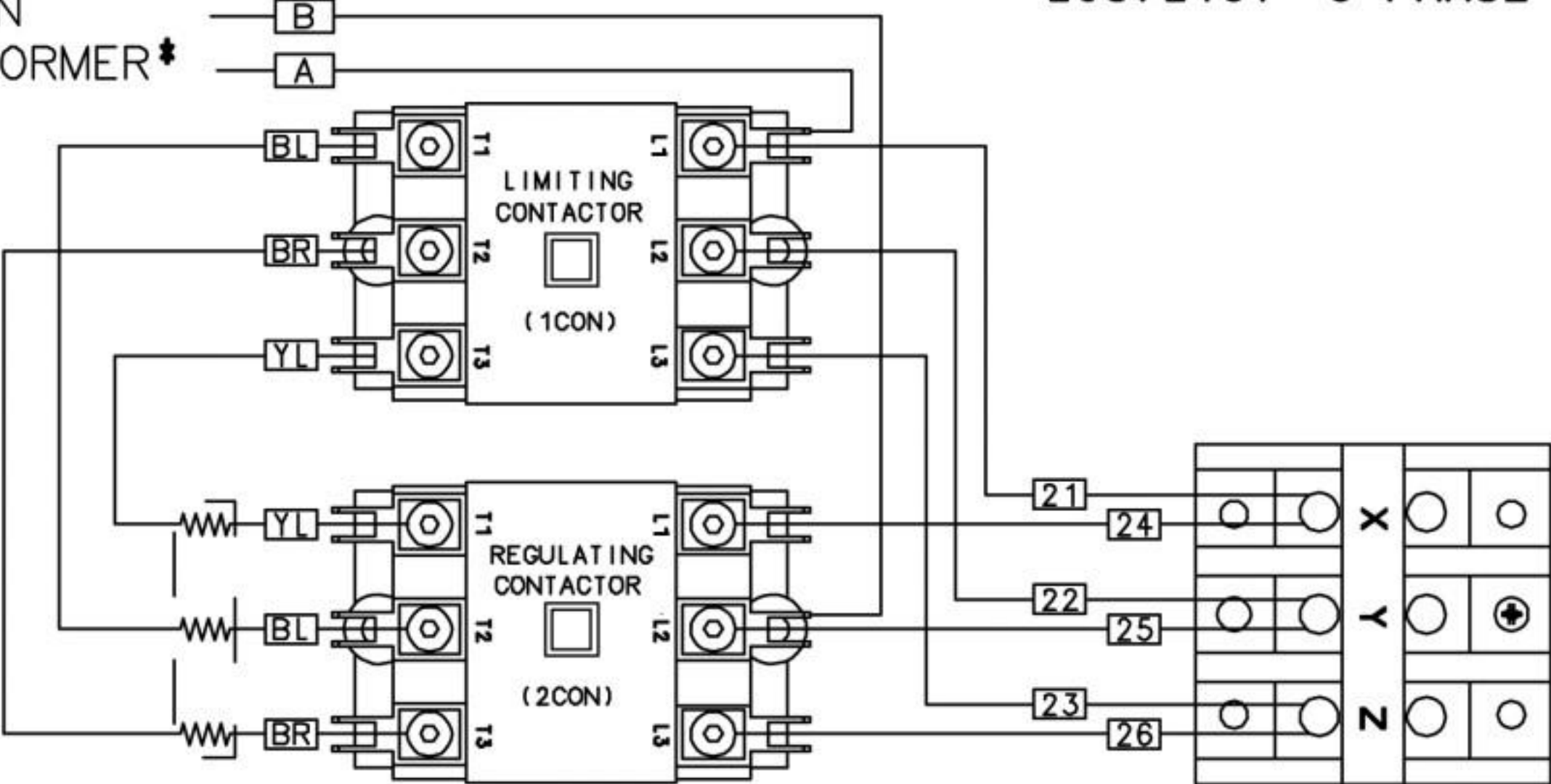
* MAIN TRANSFORMER PRIMARY MUST BE CONNECTED ACCORDING TO THE KETTLE DATA PLATE VOLTAGE AND THE ACTUAL VOLTAGE SUPPLY

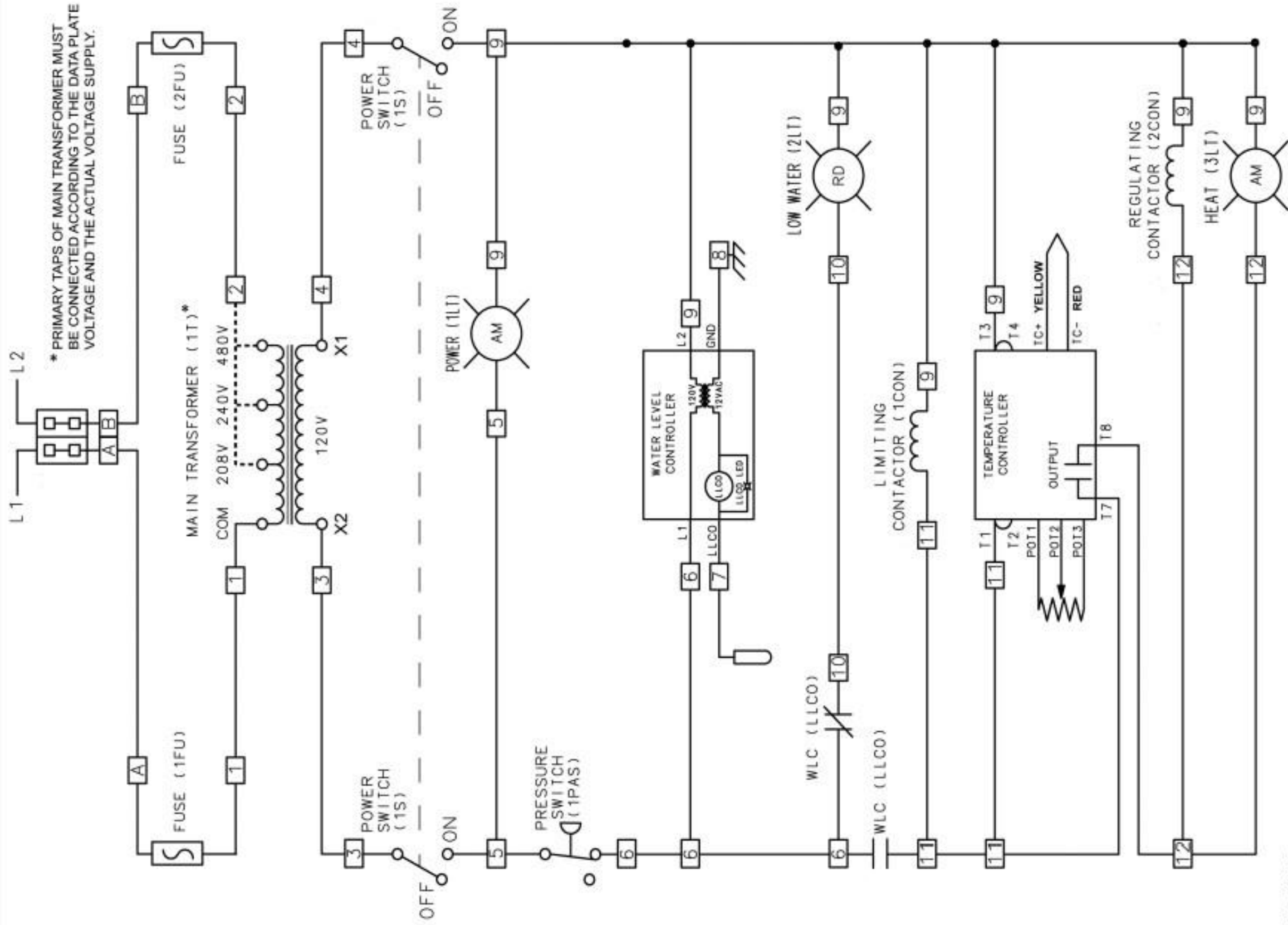
MODELS - K20EL/K20ELT, K40EL/K40ELT, K60EL/K60ELT

AI3432

208/240V - 3 PHASE

TO MAIN TRANSFORMER ⚡





* PRIMARY TAPS OF MAIN TRANSFORMER MUST BE CONNECTED ACCORDING TO THE DATA PLATE VOLTAGE AND THE ACTUAL VOLTAGE SUPPLY.

