

GT88

115V

Single Phase

112528-63

\$150.20

**N**

The World's Best

The World Over

# MANUAL

FOR

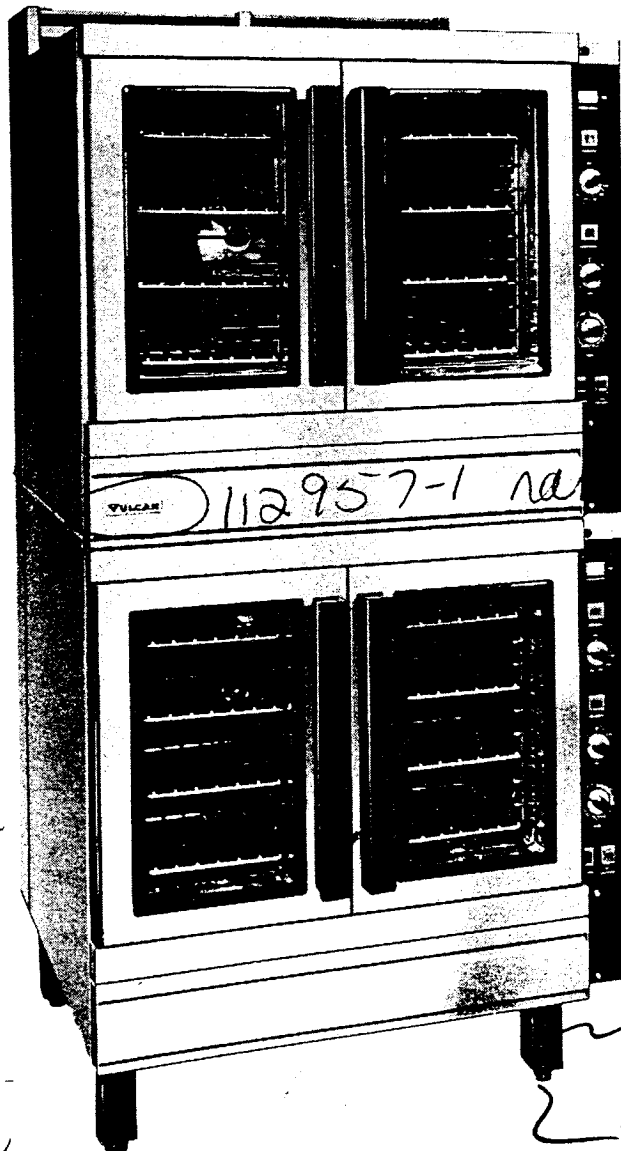
## HEAVY DUTY GAS THERMAIRE OVENS

*Rec'd. Rev. Top + Bottom  
4/15/67  
GI*

*Door Gasket-411688  
Door Skin 411539-  
Top + Bottom 411359-  
Sides*

*109319-1 } SOL.  
-2 } SEALANT*

*Door HINGE skin  
netal  
112702-2 that  
gases  
is in  
the  
grip*



*Rocker switch  
411496-B1  
Toggle switch  
411496-A7*

*← door*

*\*Horizontal Decal  
no longer all  
Flame switch  
thermo-couple  
411496-H1*

GT88  
Body Top  
112337-63

*4H Bodyside  
111941-61  
insul. cavity  
111448-1*

*LEG STAND  
112454-61  
-62(S)*

*Cast A  
410118-1  
410118-2  
(has to be on a  
deeper stand)*

*POP IN FOOT  
112681-1  
-2 (SS)*

MODEL GT-88

**VULCAN-HART CORPORATION**

3600 North Point Boulevard, BALTIMORE, MD. 21222

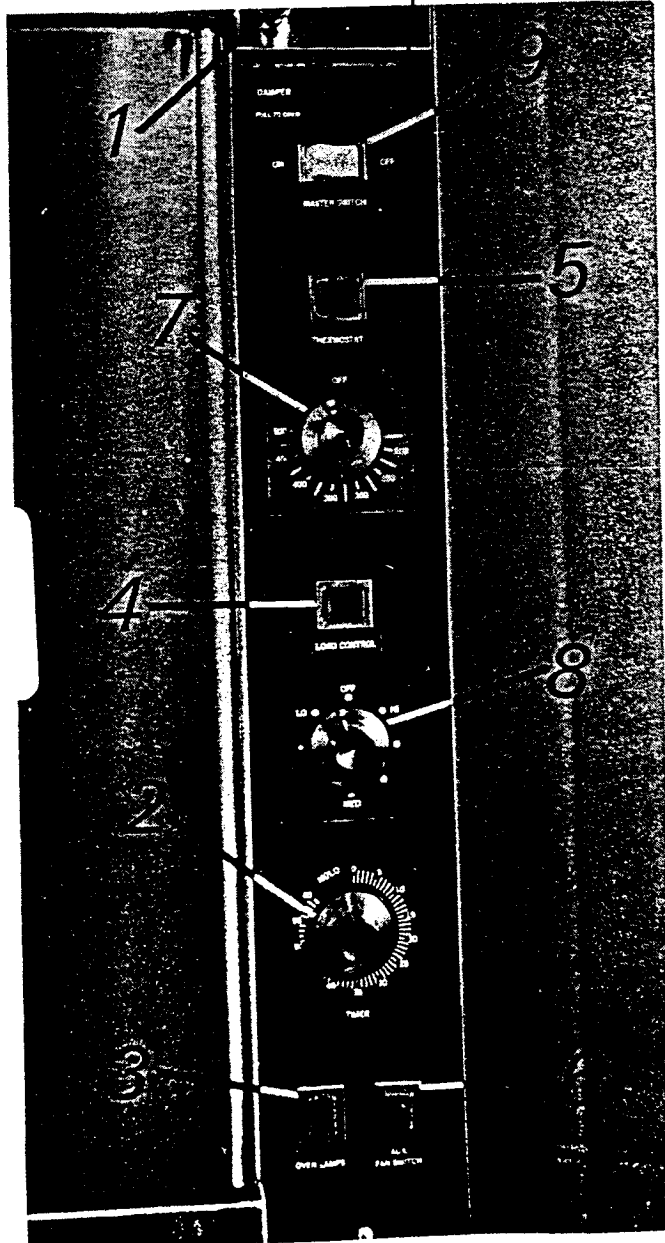
SWITCH PANEL ASSEMBLY  
USED ON  
ET-8SM, ET-88, GT-8SM, GT-88

ITEM NUMBER	DESCRIPTION	PART NUMBER	# QUANTITY REQUIRED
1	VENT DAMPER KNOB		
2	TIMER 60 Cy. 1 hour, 115 volt *	111690-1	1
	" " " 5 hour " "	111690-2 <sup>3</sup>	
	" " " 1 hour, 220 volt **	111690-3 <sup>2</sup>	
	" " " 5 hour " "	111690-4	
	" 50 " 1 hour " "	111690-5	
	" " " 5 hour " "	111690-6	
3	OVEN LAMP SWITCH	111496-D2	1
4	LOAD CONTROL INDICATOR LIGHT	111496-E2	1
5	THERMOSTAT INDICATOR LIGHT	111496-E2	1
6	AUXILIARY FAN SWITCH	111496-D2	1
7	THERMOSTAT	111506-3	1
8	LOAD CONTROL 115 volt *	111503-1	1
	" " 208 "	111503-3	
	" " 240 "	111503-2	

*411242-1 knob*

*Control Panel  
112384-61  
DECAL +  
112950-1*

\* used in all 115&480 volt models  
\*\* " " " 208&240 " "  
\*\*\* " " " 220/380 & 240/415  
50 Cy. models  
# in GT-88 & ET-88 the quantity is doubled.



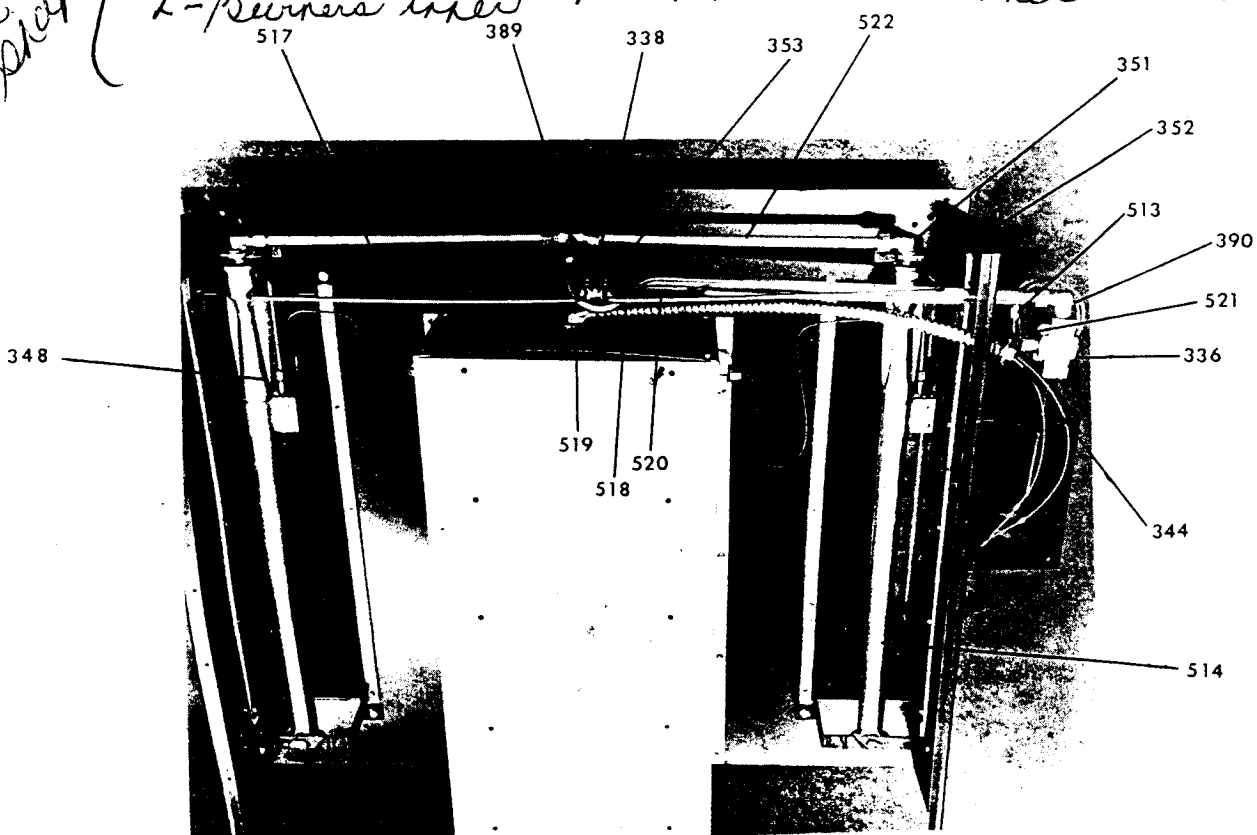
*Old Square obsolete*

PARTS LIST FOR BODY BOTTOM ASSEMBLY  
USED ON

GT-88-1 & GT-8-ISM

ITEM NUMBER	DESCRIPTION	PART NUMBER	QUANTITY REQUIRED	
			GT-88-1	GT-8-ISM
336	SOLENOID VALVE	111497-F1	2	1
338	DOUBLE PILOT VALVE	109557-4	2	1
344	ELBOW 1/8M X 1/4CC	13178	2	1
348	FLAME SWITCH- SAFETY VALVE	111496-H1	4	2
351	BURNER NOZZLE 90 DEGREE	104079-F	4	2
352	BURNER SPUD (NAT.)	10901-22 Select	4	2
	BURNER SPUD (L.P.)	10901-45 for proper gas		
353	FITTING EL. 1/8F X 1/4CC	3.0900-2	2	1
389	7/16 TEE	105911-1	2	1
513	1/4CC X 1/4CC FITTING	103638-1	2	1
514	BURNER ASSEMBLY	112709-G1 <del>112707-G1</del>	4	2
517	LEFT PILOT TUBE 3/16	112721-1	2	1
518	RIGHT PILOT TUBE 3/16	112721-2	2	1
519	MAIN GAS SUPPLY	112715-1	2	1
520	PILOT SUPPLY TUBE 1/4"	112723-1	2	1
521	PILOT FEED TUBE	112485-1	2	1
522	LT. & RT. NOZZLE SUPPLY TUBES	112716-1	4	2

*L-shaped*  
 L-Burners Outer 411084-3  
 L-Burners Inner 411084-4  
 R-Outer 411238-3  
 R-Inner 411238-4



SWITCH PANEL ASSEMBLY  
USED ON  
ET-8SM, ET-88, GT-8SM, GT-88

ITEM NUMBER	DESCRIPTION	PART NUMBER	# QUANTITY REQUIRED
1	VENT DAMPER KNOB		
2	TIMER 60 Cy. 1 hour, 115 volt *	111690-1	1
	" " " 5 hour " " *	111690-3	
	" " " 1 hour, 220 volt **	111690-2	
	" " " 5 hour " " **	111690-4	
	" 50 " 1 hour " " ***	111690-5	
	" " " 5 hour " " ***	111690-6	
3	OVEN LAMP SWITCH	111496-D2	1
4	LOAD CONTROL INDICATOR LIGHT	111496-E2	1
5	THERMOSTAT INDICATOR LIGHT	111496-E2	1
6	AUXILIARY FAN SWITCH	111496-D2	1
7	THERMOSTAT	111506-3	1
8	LOAD CONTROL 115 volt *	111503-1	1
	" " 208 "	111503-3	
	" " 240 "	111503-2	
9	MASTER SWITCH	111496-B1	1

CONTROL PANEL  
\* 112384-61  
+  
DECAL  
112450-1

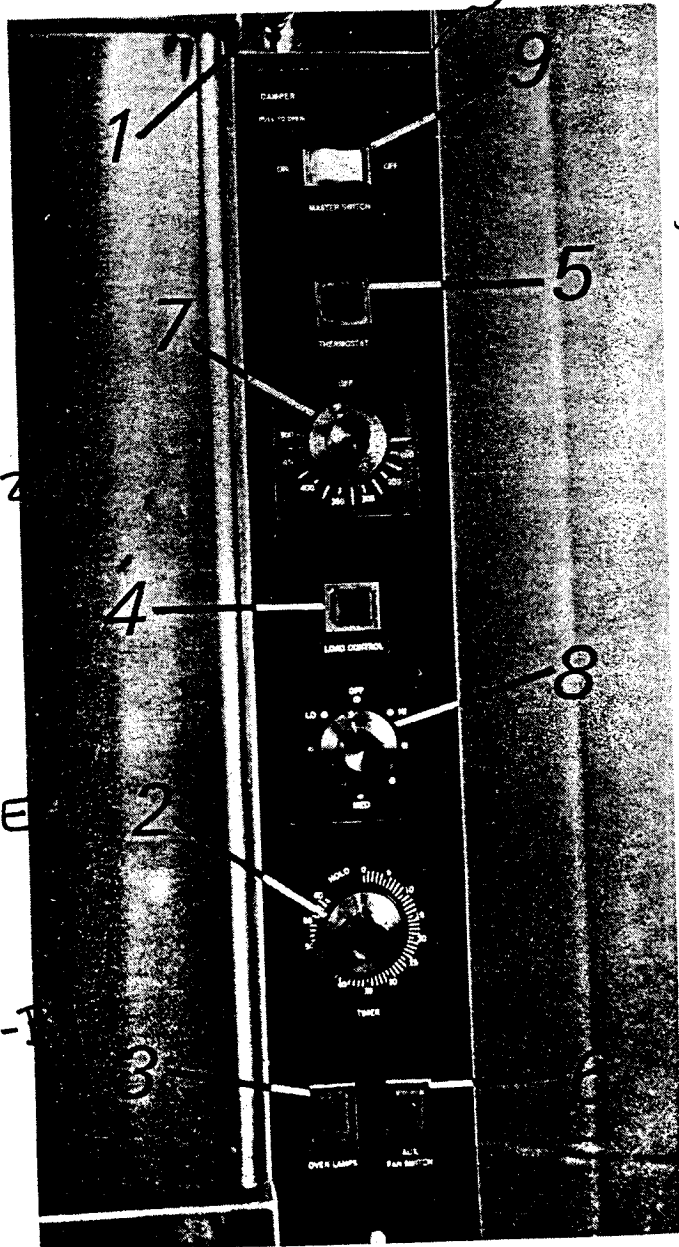
\* used in all 115&480 volt models  
\*\* " " " 208&240 " "  
\*\*\* " " " 220/380- &240/415  
50 Cy. models  
# in GT-88 & ET-88 the quantity  
is doubled.

\* EFFECTIVE TO SN 766212

FROM SN 7662121

111496-E2 REPLACED  
BY 111496-E1

111496-D2 REPLACED  
BY 111496-D1



see  
note.  
and if  
old -594  
style  
or not  
need  
style

Horizontal  
Decal  
N.H.

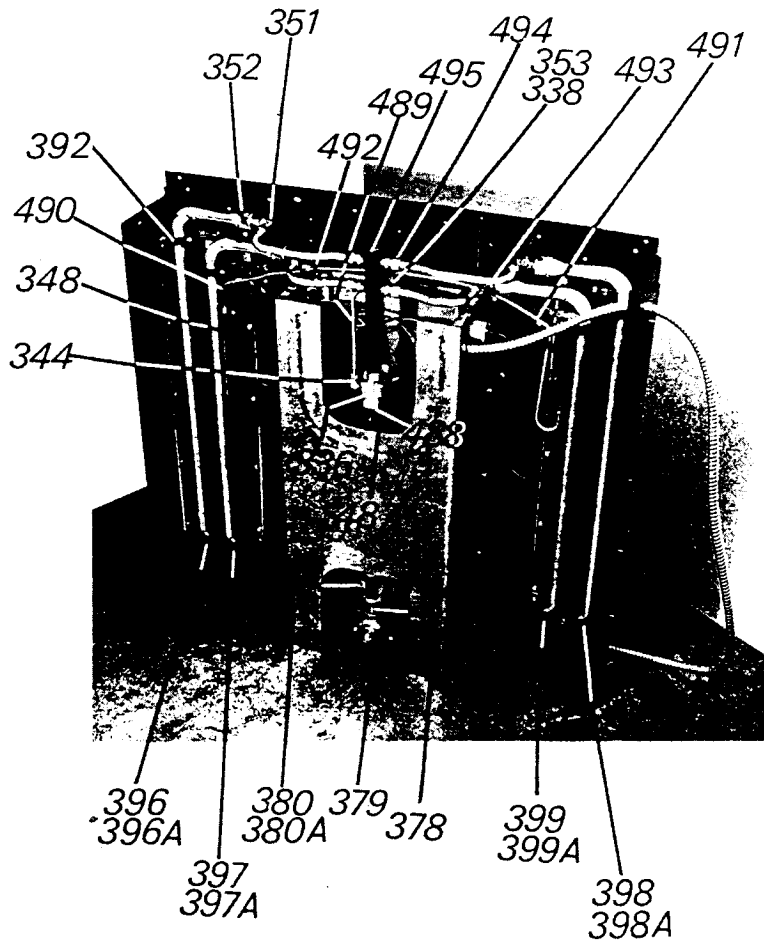


# VULCAN

# HEAVY DUTY GAS THERMAIRE OVENS

### PARTS LIST FOR BODY BOTTOM ASSEMBLY USED ON RGT-10, GT-8

ITEM NUMBER	DESCRIPTION	PART NUMBER	QUANTITY REQUIRED	
			RGT-10	GT-8
336	SOLENOID VALVE	111497-F1	1	1
338	DOUBLE PILOT VALVE	109557-4	1	1
344	ELBOW (1/8M x 1/4CC)	13178	1	1
348	FLAME SWITCH	111496-H1	2	2
351	BURNER NOZZLE 90°	104079-F	4	4
352	BURNER SPUD	10901	4	4
353	FITTING ELBOW (1/8FM x 1/4CC)	3.0900-2	1	1
378	CLOSE NIPPLE (3/4" x 1-3/8" LONG)	10560	1	1
379	SHUT OFF VALVE	111420-1	1	1
380	REGULATOR 3.7" RV43A NATURAL GAS	108279-1	1	1
380A	REGULATOR 11" R500-2 L.P. GAS	108279-6	1	1
392	OVEN BURNER CLIP	3.0320-1	4	4
396	LEFT OUTER BURNER	111084-1	1	-
396A	LEFT OUTER BURNER	111084-3	-	1
397	LEFT INNER BURNER	111084-2	1	-
397A	LEFT INNER BURNER	111084-4	-	1
398	RIGHT OUTER BURNER	111238-1	1	-
398A	RIGHT OUTER BURNER	111238-3	-	1
399	RIGHT INNER BURNER	111238-2	1	-
399A	RIGHT INNER BURNER	111238-4	-	1
487	COUPLING 3/4- 3/8	3.0817-3	2	2
488	3/8 CLOSED NIPPLE	10557	2	2
489	PILOT TUBING (SOLENOID TO ADJ. VALVE)	111875-1	1	1
490	LEFT HAND PILOT TUBING	111874-2	1	1
491	RIGHT HAND PILOT TUBING	111873-2	1	1
492	INNER BURNER TUBING	111869-3	2	2



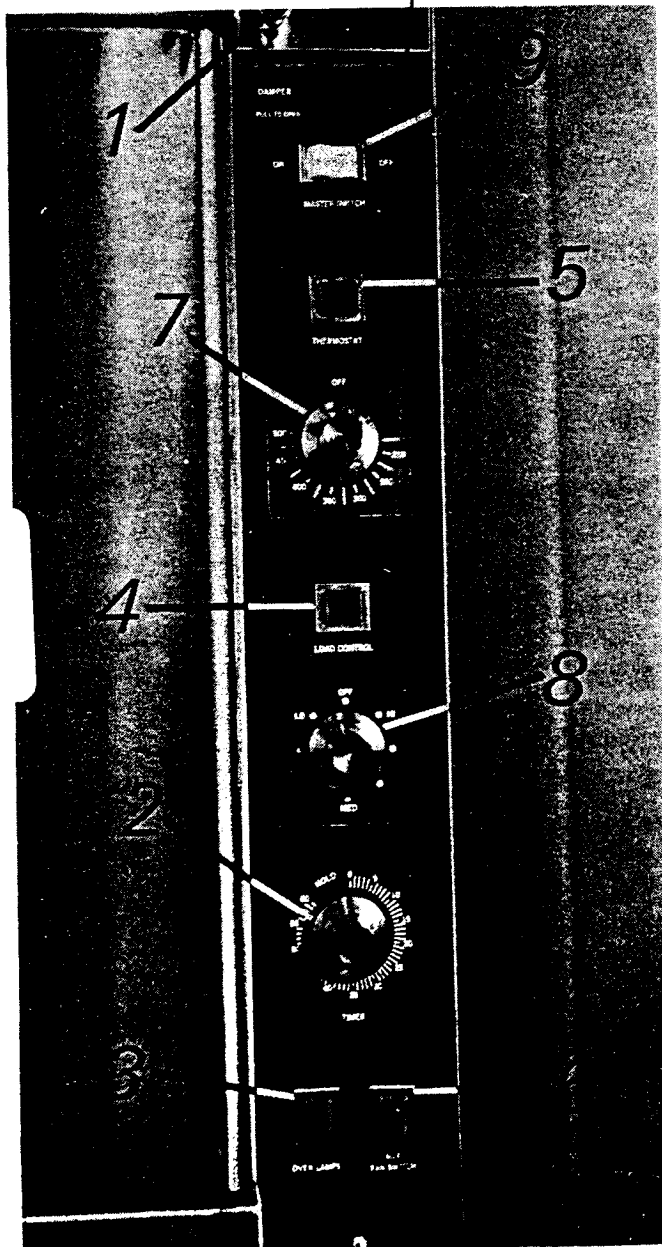
SWITCH PANEL ASSEMBLY  
USED ON  
ET-8SM, ET-88, GT-8SM, GT-88

ITEM NUMBER	DESCRIPTION	PART NUMBER	# QUANTITY REQUIRED
1	VENT DAMPER KNOB		
2	TIMER 60 Cy. 1 hour, 115 volt *	111690-1	1
	" " " 5 hour " "	111690-2 <sup>3</sup>	
	" " " 1 hour 220 volt **	111690-3 <sup>2</sup>	
	" " " 5 hour " "	111690-4	
	" 50 " 1 hour " "	111690-5	
	" " " 5 hour " "	111690-6	
3	OVEN LAMP SWITCH	111496-D2	1
4	LOAD CONTROL INDICATOR LIGHT	111496-E2	1
5	THERMOSTAT INDICATOR LIGHT	111496-E2	1
6	AUXILIARY FAN SWITCH	111496-D2	1
7	THERMOSTAT	111506-3	1
8	LOAD CONTROL 115 volt *	111503-1	1
	" " 208 "	111503-3	
	" " 240 "	111503-2	

*411242-1 knob*

*Control Panel  
112384-91  
+  
DECAL  
112950-1*

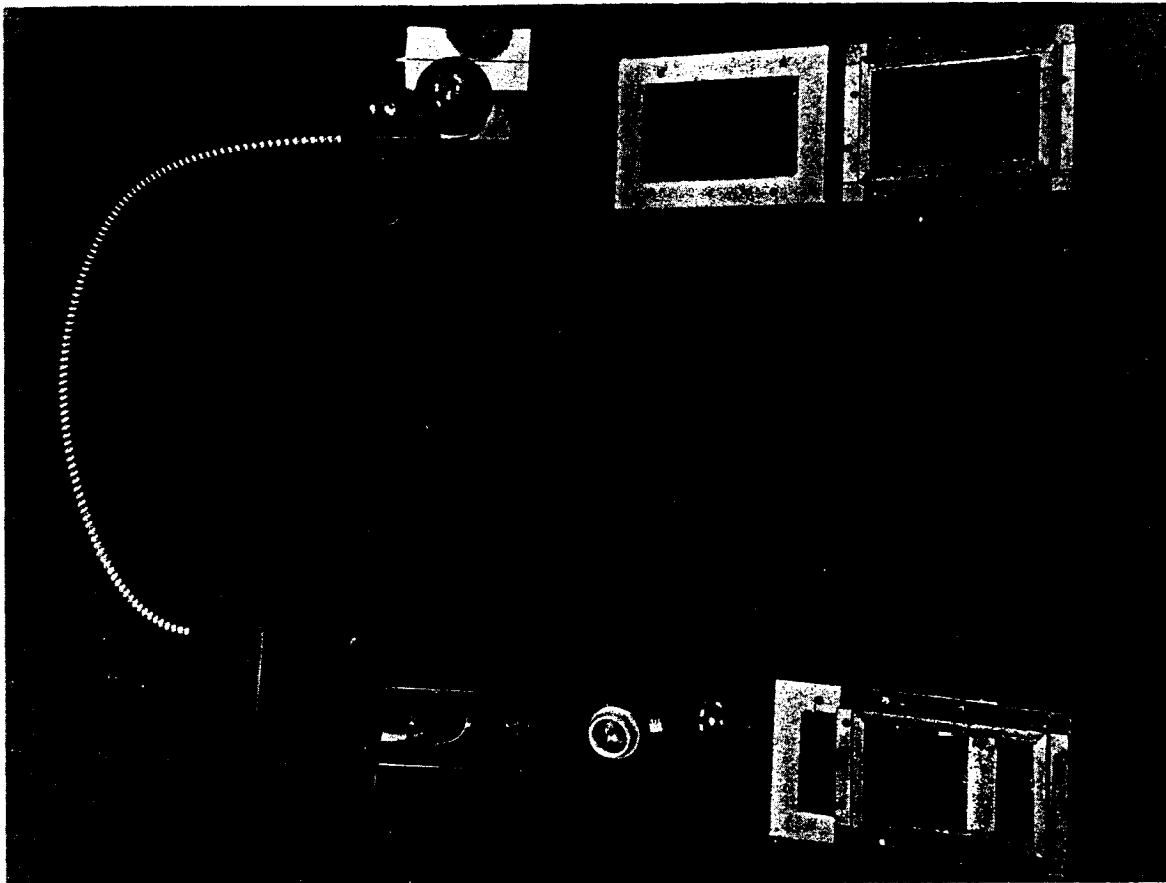
\* used in all 115&480 volt models  
 \*\* " " " 208&240 " "  
 \*\*\* " " " 220/380 & 240/415  
 50 Cy. models  
 # in GT-88 & ET-88 the quantity is doubled.



*060-  
square  
055olete*

PARTS LIST FOR  
OVEN LAMP ASSEMBLY

ITEM NUMBER	DESCRIPTION	PART NUMBER	QUANTITY REQUIRED
136	LAMP SOCKET	21201-20	2
239	LIGHT BULB 115V 50W (FROSTED)	107793-2	2
368	LAMP BOX HOUSING ASSEMBLY	111395-G1	2
369	LAMP BOX GASKET (1/8" ASBESTOS)	111206-1	2
370	LAMP BOX ASSEMBLY	111394-G1	2
371	LAMP WINDOW ASSEMBLY	111175-G1	2

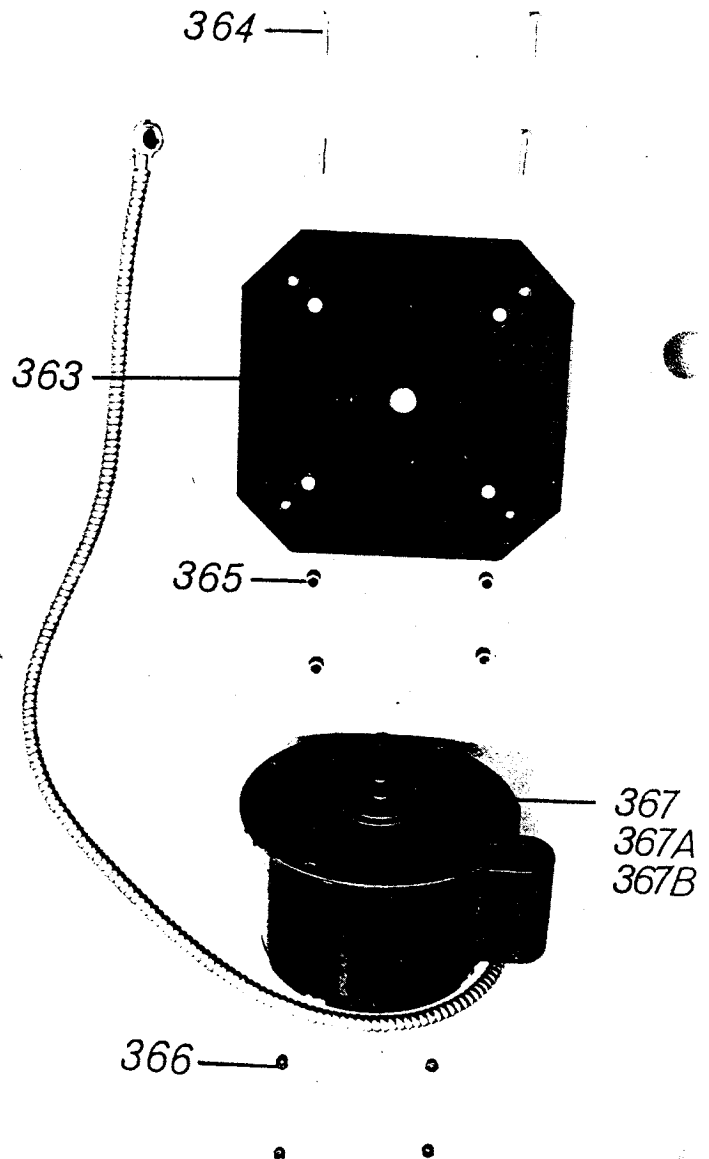


BLOWER MOTOR ASSEMBLY

ITEM NUMBER	DESCRIPTION	PART NUMBER	* QUANTITY REQUIRED
363	MOTOR MOUNT	112629-1	1
364	MOUNTING BOLT( 5/16 FLAT HEAD)	102085-28	4
365	MOTOR SPACER	112630-1	4
366	LOCK NUT (5/16)		4
367 (a)	MOTOR 115/230V.,60 HZ.1 PH. 3/4HP.	111205-1	1
(b)	" " " " " " " 1/2 HP.	111205-5	
(c)	" 230/460 V,50-60 Hz.3PH. 3/4HP.	111205-8	
(d)	" 115/230 V.,50 HZ.1 PH. 3/4 HP.	111205-7	
(e)	" " " " " " " 1/2 HP.	111205-6	

\* in double-deck ovens(ET-88,GT-88)  
the quantity is doubled.

- (a) used in RET-10( 208,240 Volt)&  
RGT-10( 115,208,240 Volt)
- (b) used in ET-8,ET-88,ET-8SMp  
(208,240 Volt)& GT-8,GT-88,GT-8SM  
(115,208,240 Volt)
- (c) used in all 480 Volt models& all  
208,240,220/380,240/415 with  
3 phase motor option.
- (d) used in RET-10,RGT-10 models  
220/380,240/415 V,50 HZ.
- (e) used in ET-8,ET-88, ET-8SM,GT-8  
GT-88, GT-8SM 220/380,240/415V  
50 Hz.



**PARTS LIST FOR  
OVEN CAVITY ASSEMBLY & OVEN CAVITY WITH S.S. INTERIOR  
USED ON**

GT-8, GT-88, GT-8SM, ET-8, ET-88, ET-8SM

ITEM NUMBER	DESCRIPTION	PART NUMBER	# QUANTITY REQUIRED	
			STANDARD	STAINLESS STEEL
453B-F	FAN COVER ASSEMBLY	111136-G2		
453C-F	FAN COVER ASSEMBLY S.S.	111136-G4	-	1
456A	OVEN RACK	111265-2	6	6
458	RIGHT HAND OVEN RACK SUPPORT	111430-1	1	1
458A	LEFT HAND OVEN RACK SUPPORT	111430-2	1	1
460*	SIDE LINER TRACK (LESS DRIP TRAY)	111512-1	2	2
460A	LEFT HAND SIDE LINER TRACK (WITH DRIP TRAY)	111511-1	1	1
460B	RIGHT HAND SIDE LINER TRACK (WITH DRIP TRAY)	111511-2	1	1
461-F*	DRIP TRAY	111429-1	1	-
461A-F*	DRIP TRAY S.S.	111429-2	-	1
462-F	RIGHT HAND SIDE LINING	111422-1	1	-
462A-F	RIGHT HAND SIDE LINING S.S.	111422-3	-	1
462B-F	LEFT HAND SIDE LINING	111422-2	1	-
462C-F	LEFT HAND SIDE LINING S.S.	111422-4	-	1
463	DOOR GASKET	111688-1	1	1
467*	TOP & BOTTOM DOOR GASKET SHIMS	111339-1	2	2
467A*	SIDE DOOR GASKET SHIMS	111339-2	2	2
468A	AIROTOR 10"	3.1300-3	1	1
469 **	VENT BAFFLE	111460-1	1	

F - SPECIFY FINISH

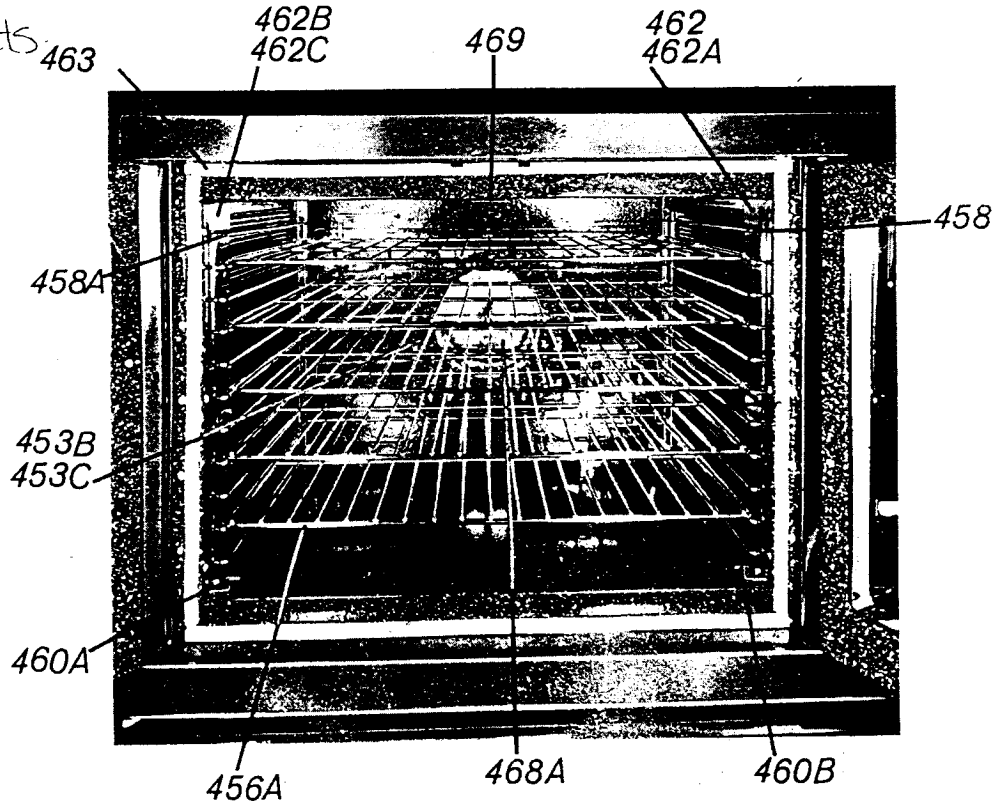
\* NOT SHOWN

# in double-deck ovens (ET-88,GT-88) the quantity is doubled.

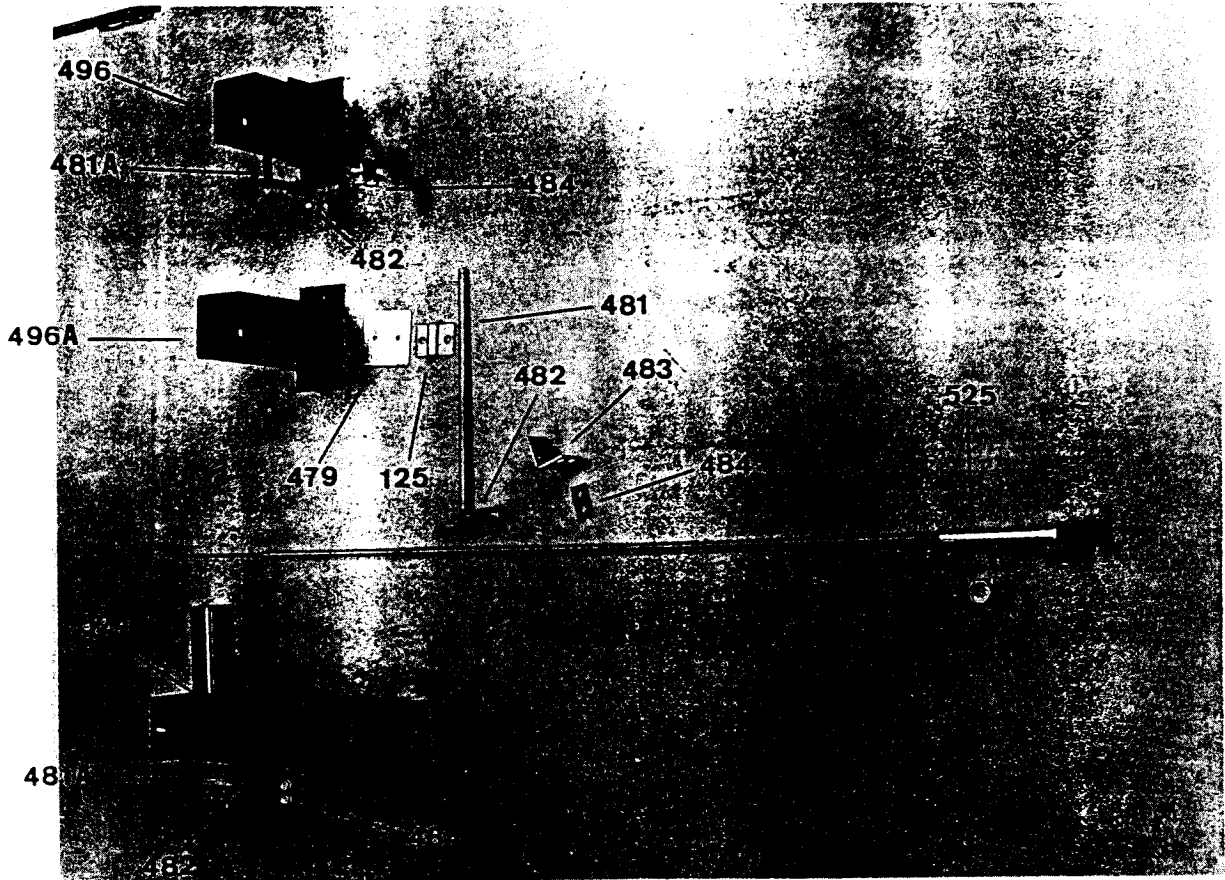
\*\* USED IN GT-88 AND GT-8SM MODELS only.

**SPECIAL H.D. RACKS 111265-5**

Metal door gaskets  
top & bot.  
115670-61  
61045  
115669-61



PARTS LIST FOR  
DAMPER CONTROL SYSTEMS  
GAS & ELECTRIC CONVECTION OVENS



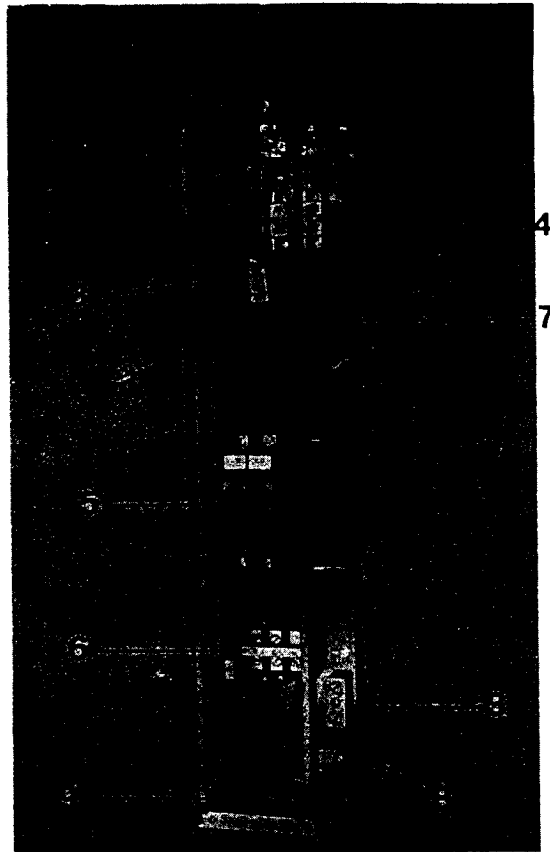
ITEM NUMBER	DESCRIPTION	PART NUMBER	GT-8 RGT-10	GT-88	ET-8 RET-10	ET-88
125	DAMPER CLAMP	107550-1	1	2	1	2
479	VENT CLOSURE	111211-1	1	2	1	2
481	VENT ACTUATOR ASSEMBLY	111949-G1	1	2		
481A	" " "	111949-G2			1	2
482	CONTROL WIRE SOCKET	111859-1	1	2	1	2
483	ANGLE DAMPER CABLE	111886-1	1	2		
484	CABLE CLAMP	111886-2	1	2	1	2
496	VENT STACK ASSEMBLY	111951-G1			1	
496A	" " "	111951-G2	1	2		
524	VENT STACK ASSEMBLY *	112937-G1				2
525	VENT PULL CABLE ASS'Y	112620-1	1	2	1	2
526	VENT STACK ASSEMBLY **	112641-G2				

\* up to style 9-75  
\*\* after style 9-75

BREAKER BOX ASSEMBLY

USED ON

GT-8SM & GT-88



ITEM NUMBER	DESCRIPTION	PART NUMBER	QUANTITY REQUIRED	
			GT-8SM	GT-88
1	RELAY(not provided on units less light)			
	115 volt coil # *	# * 111497-A1	1	2
	230 volt coil **	** 111497-A2	1	2
2	BUZZER 115 volt coil # *	# * 111499-2	1	2
	230 volt coil **	** 111499-1	1	2
3	PORCELAIN BLOCK *	* 00081	2	4
	# **	# ** 00081	1	2
4	MOTOR CONTACTOR (used with 3-ph.motor only)			
	115 volt coil # *	# 111497-C1	1	2
	230 volt coil **	** 111497-C2	1	2
5	BREAKER (15 amp)	# ** 111501-12	1	1
6	TERMINAL BLOCK (3-pole)	# ** 110472-8	1	2
7	TRANSFORMER (not shown) 230 to 115 volt,50 VA	** 111500-6	1	2
8	GROUND LUG (not shown)	3-1500/06089	1	1
9	SUPPLY CORD ( not shown)	* 105016-1	1	2

\* used on 115 volt models only

\*\* used on 208,240,220/380,240/415 volt models only

# used on 480 vqlt models only.

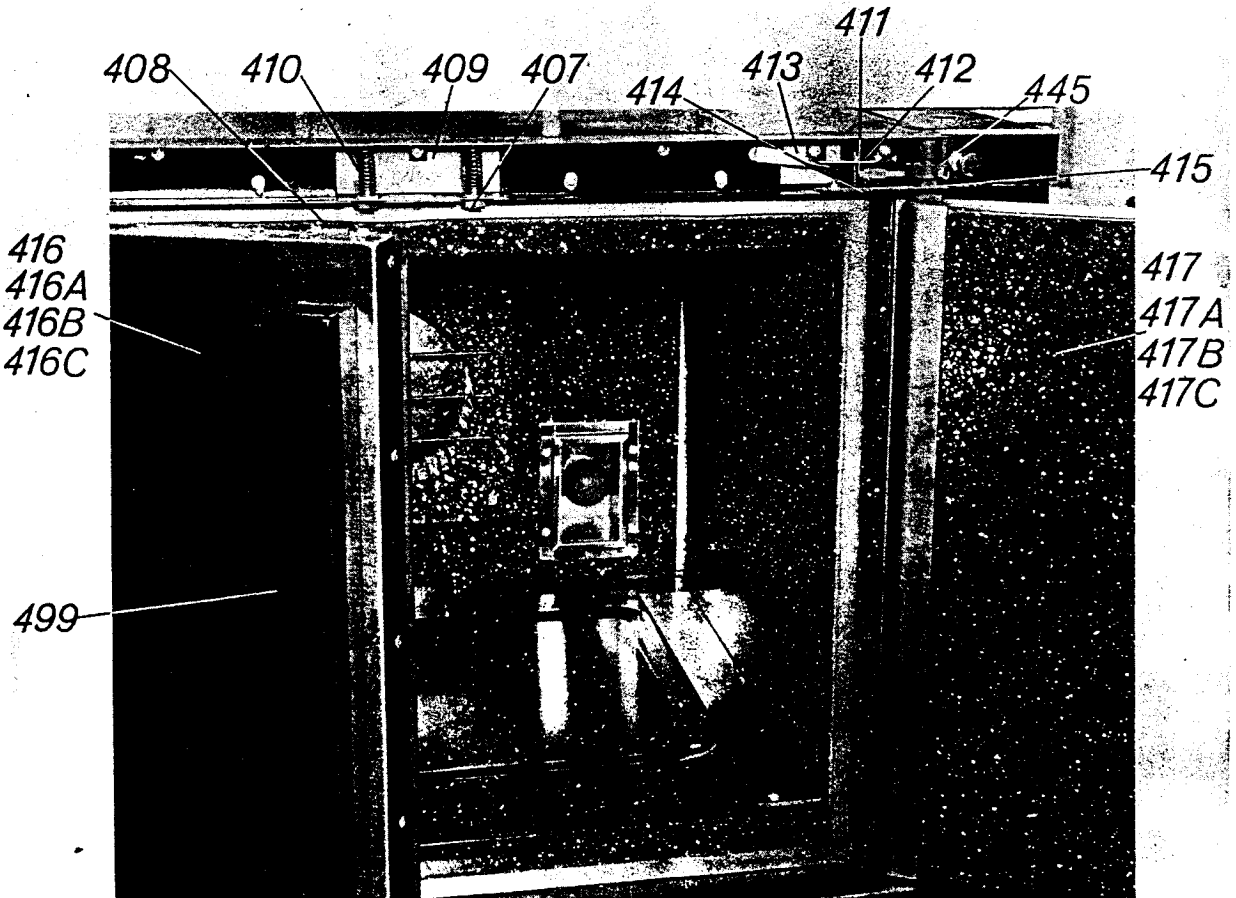
PARTS LIST FOR  
FRENCH DOOR MECHANISM  
USED ON

ET-8SM, ET-88, GT-8SM, GT-88

ITEM NUMBER	DESCRIPTION	PART NUMBER	QUANTITY REQUIRED
407	DOOR CATCH	111794-1	2
408	DOOR STRIKE	111170-1	2
409	DOOR CATCH PLATE	111934-1	1
410	COMPRESSION SPRING	20707-12 <i>417810-3</i>	2
411	MICRO SWITCH	111496-F1	1
412	MICRO SWITCH SUPPORT	110619-1	1
413	MICRO SWITCH INSULATION (3" LONG)	111345-1	2
414	DOOR ADJUSTING BRACKET	111139-1	2
415	HINGE PIN BEARING	104629-2	4
416A	LEFT HAND DOOR ASSEMBLY (WITH WINDOWS)	111290-G3	1
416C	LEFT HAND DOOR ASSEMBLY (LESS WINDOWS)	111290-G7	1
417A	RIGHT HAND DOOR ASSEMBLY (WITH WINDOWS)	111290-G4	1
417C	RIGHT HAND DOOR ASSEMBLY (LESS WINDOWS)	111290-G8	1
445	COLLAR (1/2") HINGE PIN	3.0209-2	1
499	DOOR HANDLE	111705-1	2
	PLUG BUTTON (NOT SHOWN)	3.0317-8	4

# in double-deck ovens (GT-88, ET-88) the quantity is doubled.

*111294-1 oven window*



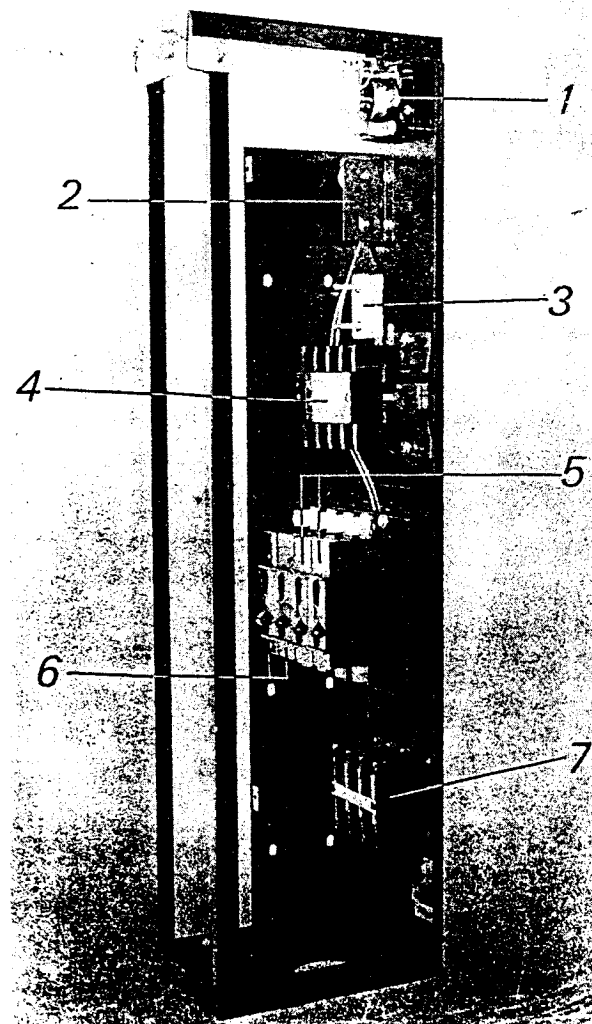
BREAKER BOX ASSEMBLY  
USED ON  
ET-88, ET-8SM 208, 240, 480 VOLT

ITEM NUMBER	DESCRIPTION	PART NUMBER	QUANTITY	
			ET-8SM	ET-88
1	RELAY(not provided on units less light)			
	115 Volt coil	* 111497-A1	1	2
	230 volt coil	#- ** 111497-A2	1	2
2	BUZZER 115 volt coil	* 111499-2	1	2
	230 volt coil	#- ** 111499-1	1	2
3	PORCELAIN BLOCK	#- ** 00081	1	2
		* 00081	1	3
4	CONTACTOR(4pole) 230V coil	** 111497-D3	1	2
	(3pole) 230V coil	# 3-1108-5	1	2
	(3pole) 115V coil	* 111497-C3	1	2
5	BREAKER (15 Amp. 2 pole)	** 111501-12	1	2
	"        "	* 111501-12	1	1
	(15 Amp. 1 pole)	# 111501-11	1	2
6	BREAKER (50 Amp. 2 pole)	** 111501-6	1	2
	(50 Amp. 3 pole)	# 111501-7	1	2
7	TERMINAL BLOCK( 3 pole)	110472-8	1	2
	( 1 pole)	# 110472-9	1	2
8	GROUND LUG	3.1500/06089	1	1
9	MOTOR CONTACTOR (not shown)			
	for 3 Phase motor 115 V. coil*	* 111497-C1	1	2
	230 V. coil #-**	111497-C2		

\* limited to 480 Volt models.

\*\* limited to 208&240 Volt models.

# limited to 220/380& 240/415 Volt models.



**PARTS LIST FOR  
OVEN CAVITY ASSEMBLY & OVEN CAVITY WITH S.S. INTERIOR  
USED ON**

GT-8, GT-88, GT-8SM, ET-8, ET-88, ET-8SM

ITEM NUMBER	DESCRIPTION	PART NUMBER	# QUANTITY REQUIRED	
			STANDARD	STAINLESS STEEL
453B-F	FAN COVER ASSEMBLY	111136-G2		1
453C-F	FAN COVER ASSEMBLY S.S.	111136-G4		1
456A *	OVEN RACK	111265- <del>2</del> 5	6	6
458	RIGHT HAND OVEN RACK SUPPORT	111430-1	1	1
458A	LEFT HAND OVEN RACK SUPPORT	111430-2	1	1
460*	SIDE LINER TRACK (LESS DRIP TRAY)	111512-1	2	2
460A	LEFT HAND SIDE LINER TRACK (WITH DRIP TRAY)	111511-1	1	1
460B	RIGHT HAND SIDE LINER TRACK (WITH DRIP TRAY)	111511-2	1	1
461-F*	DRIP TRAY	111429-1	1	-
461A-F*	DRIP TRAY S.S.	111429-2	-	1
462-F	RIGHT HAND SIDE LINING	111422-1	1	-
462A-F	RIGHT HAND SIDE LINING S.S.	111422-3	-	1
462B-F	LEFT HAND SIDE LINING	111422-2	1	-
462C-F	LEFT HAND SIDE LINING S.S.	111422-4	-	1
463	DOOR GASKET	111688-1	1	1
467*	TOP & BOTTOM DOOR GASKET SHIMS	111339-1	2	2
467A*	SIDE DOOR GASKET SHIMS	111339-2	2	2
468A	AIROTOR 10"	3.1300-3	1	1

F - SPECIFY FINISH

\* NOT SHOWN

# in double-deck ovens (ET-88,GT-88) the quantity is doubled.

**\* SPECIAL H.D. RACK 111265-5**

