



DONE TO PERFECTION.

INSTALLATION & OPERATIONAL MANUAL

GRMF SERIES GAS FRYERS

MODELS:

2GR45MF	ML-136417
2GR65MF	ML-136418
2GR85MF	ML-136419
3GR45MF	ML-136420
3GR65MF	ML-136421
3GR85MF	ML-136422
4GR45MF	ML-136423



For additional information on Vulcan-Hart or to locate an authorized parts and service provider in your area, visit our website at www.vulcanequipment.com

IMPORTANT FOR YOUR SAFETY

THIS MANUAL HAS BEEN PREPARED FOR PERSONNEL QUALIFIED TO INSTALL GAS EQUIPMENT, WHO SHOULD PERFORM THE INITIAL FIELD START-UP AND ADJUSTMENTS OF THE EQUIPMENT COVERED BY THIS MANUAL.

POST IN A PROMINENT LOCATION THE INSTRUCTIONS TO BE FOLLOWED IN THE EVENT THE SMELL OF GAS IS DETECTED. THIS INFORMATION CAN BE OBTAINED FROM THE LOCAL GAS SUPPLIER.

IMPORTANT

IN THE EVENT A GAS ODOR IS DETECTED, SHUT DOWN UNITS AT THE MAIN SHUTOFF VALVE AND CONTACT THE LOCAL GAS COMPANY OR GAS SUPPLIER FOR SERVICE.

FOR YOUR SAFETY

DO NOT STORE OR USE GASOLINE OR OTHER FLAMMABLE VAPORS OR LIQUIDS IN THE VICINITY OF THIS OR ANY OTHER APPLIANCE.

WARNING

Improper installation, adjustment, alteration, service or maintenance can cause property damage, injury or death. Read the installation, operating and maintenance instructions thoroughly before installing or servicing this equipment.

TABLE OF CONTENTS

IMPORTANT FOR YOUR SAFETY.....	2
INTRODUCTION.....	4
GENERAL.....	4
ORDERING PARTS.....	4
FRYER CAPACITIES.....	4
UNPACKING.....	4
INSTALLATION.....	5
Clearances.....	5
Location.....	6
CODES AND STANDARDS.....	6
ASSEMBLY.....	7
FLUE CONNECTION.....	7
GAS CONNECTION.....	8
Quick-Disconnect for Units on Casters.....	8
GAS PRESSURE.....	8
TEST GAS SUPPLY.....	8
FRYERS WITH CASTERS.....	8
LEVELING THE FRYER.....	9
OPERATION.....	9
OVER-TEMPERATURE SHUTDOWN.....	10
BEFORE FIRST USE.....	10
Cleaning.....	10
FILLING TANK WITH SHORTENING.....	10
LIGHTING THE PILOT.....	11
TURNING ON THE FRYER.....	12
TURNING OFF THE FRYER.....	12
EXTENDED SHUTDOWN.....	12
BASIC FRYING INSTRUCTIONS.....	12
Fry Basket Guidelines.....	13
EXTENDED SHORTENING LIFE.....	13
DRAINING THE TANK.....	14
DAILY FILTERING-ALL MODELS.....	14
CLEANING.....	15
Daily.....	15
BOIL OUT PROCEDURE.....	15
KLEENSCREEN <i>PLUS</i> ® INSTALLATION & OPERATION MANUAL.....	16
GAS KLEENSCREEN <i>PLUS</i> ® MODELS.....	16
FILTERING INSTRUCTIONS FOR KLEENSCREEN <i>PLUS</i> ® FRYERS...	17
GENERAL.....	17
ASSEMBLY.....	17
OPERATION.....	20
FILTERING PROCEDURE.....	20
FILTERING TIP.....	21
REMOVING EXCESS DEBRIS FROM THE FILTER.....	21
FLUSH AND DISCARD.....	22
BOIL OUT PROCEDURE.....	23
THERMAL OVERLOAD PROTECTION RESET BUTTON.....	23
MAINTENANCE.....	24
FLUE VENT INSPECTION.....	24
Service in the US and Canada.....	24
TROUBLESHOOTING.....	23
Troubleshooting Chart.....	24

INTRODUCTION

GENERAL

Vulcan Fryers are produced with quality workmanship and material. Proper installation, usage and maintenance will result in years of satisfactory performance.

Before installing the fryer, thoroughly read this manual and carefully follow all instructions.

This manual is applicable to model listed on the cover page. Procedures in this manual will apply to all models unless specified. Pictures and illustrations can be of any model unless the picture or illustration needs to be model specific.

ORDERING PARTS

Customers may order parts directly from their local authorized service center. If not known, call Vulcan Customer Service at 800-814-2028.

To speed up your order, provide the model number, serial number, gas type, part needed, item part number (if known) and quantity needed.

FRYER CAPACITY				
MODEL - GMO	# of Heat Tubes Each Fry Tank	BTU / Hour Each Fry Tank	Width Inch (cm) Total System	Shortening lbs. (kg) Each Fry Tank
2GR45MF	4	120,000	31.0" (79)	45-50 (21-23)
3GR45MF	4	120,000	46.5" (118)	45-50 (21-23)
4GR45MF	4	120,000	62.0" (158)	45-50 (21-23)
2GR65MF	5	150,000	42.0" (107)	65-70 (29-32)
3GR65MF	5	150,000	63.0" (160)	65-70 (29-32)
2GR85MF	5	150,000	42.0" (107)	85-90 (39-41)
3GR85MF	5	150,000	63.0" (160)	85-90 (39-41)

UNPACKING

This fryer was carefully inspected before leaving the factory. The carrier assumes full responsibility for the safe delivery upon acceptance of the shipment. Check for possible shipping damage immediately after receipt.

If the fryer is found to be damaged, complete the following steps:

1. Carrier must be notified within 5 business days of receipt.
2. Carrier's local terminal must be notified immediately upon discovery (note time, date, and who was spoken to), and follow up and confirm with written or electronic communication.
3. All original packing materials must be kept for inspection purposes.
4. The fryer cannot have been moved, installed, or modified.
5. Notify Vulcan Customer Service immediately at 800-814-2028.

Check that the following have been included:

- ◆ Crumb Rack
- ◆ Basket Hanger
- ◆ Twin Fry Baskets (2)
- ◆ Tank Brush
- ◆ Adjustable Casters (4) two locking, two non-locking for freestanding fryers. Fryer Batteries with the KleenScreen *PLUS*® Filtration System have casters installed from the factory.
- ◆ Drain Pipe Extension for freestanding fryers only.
- ◆ Twin Fry Basket (2) per fry tank.
- ◆ Cleanout Rod for freestanding fryers only.
- ◆ Crumb Scoop for freestanding fryers only.
- ◆ Manual and Warranty – Retain for future reference.
- ◆ Fryer Batteries with the KleenScreen *PLUS*® Filtration System
 - Filter Pan
 - Suction Tube
 - Screen Assembly
 - 6' (1829 mm) long high temperature discard hose

INSTALLATION

Do not use the door or its handle to lift the fryer.

Before installing the fryer, verify that the type of gas (natural or propane) agrees with the specifications on the fryer data plate, which is located on the inside of the door panel. Make sure the fryer is configured for the proper elevation.

Record your fryer model, device, and serial numbers for future reference in the space provided below. This information can be found on the fryer data plate.

Fryer Model No: _____

Device: _____

Serial No: _____

Clearances

- ◆ Minimum clearance from combustible construction:
 - 6" (15 cm) from the sides of the fryer
 - 6" (15 cm) from the back of the fryerThe fryer may be installed on combustible floors

GRMF SERIES GAS FRYERS

- ◆ Minimum clearance from noncombustible construction:
 - 0" from the sides of the fryer
 - 0" from the back of the fryer
- ◆ Between the fryer and any open-top flame units: 16" (41 cm)
- ◆ Allow space for servicing and operation.

Location

- ◆ Install fryer in an area with sufficient air supply for gas combustion at fryer burners.
- ◆ Do not obstruct the flow of combustion and ventilation air.
- ◆ Provide adequate clearance for air openings into the combustion chamber.
- ◆ Do not permit fans to blow directly onto fryer.
- ◆ Avoid wall-type fans, which create cross-currents within a room. Avoid open windows next to sides or back.

CODES AND STANDARDS

The fryer must be installed in accordance with:

In the United States:

- ◆ State and local codes, or in the absence of local codes, with:
- ◆ National Fuel Gas Code, ANSI-Z223.1/NFPA #54 (latest edition). Copies may be obtained from The American Gas Association Accredited Standards Committee Z223, @ 400 N. Capital St. NW, Washington, DC 20001 or the Secretary Standards Council, NFPA, 1 Batterymarch Park Quincy, MA 02169-7471.
- ◆ NFPA Standard #96 Vapor Removal from Cooking Equipment, latest edition, available from the National Fire Protection Association, Batterymarch Park, Quincy, MA.
- ◆ National Electrical Code, ANSI/NFPA-70 (latest edition). Copies may be obtained from The National Fire Protection Association, Batterymarch Park, Quincy, MA. 02169-7471.
- ◆ In the commonwealth of Massachusetts all gas appliances vented through a ventilation hood or exhaust system with a damper or with a power means of exhaust shall comply with 248 CMR.

In Canada:

- ◆ Local codes
- ◆ CAN/CSA-B149.1 Natural Gas and Propane Installation Code (latest edition), available from the Canadian Standards Association, 155 Queen Street, Suite 1300, Ottawa, Ontario Canada K1P 6L1.
- ◆ CSA C22.1 Canadian Electric Code (latest edition), available from the Canadian Standards Association, 155 Queen Street, Suite 1300, Ottawa, Ontario Canada K1P 6L1.

ASSEMBLY

The fryer must be restrained to prevent tipping and the splashing of hot liquid. The means of restraint may be the manner of installation, such as connection to a battery of appliances, installing the fryer in an alcove, or by separate means such as adequate ties.

FLUE CONNECTION

Make the flue connection as follows:

- ◆ Comply with *Vapor Removal from Cooking Equipment*, ANSI-NFPA Standard #96 (latest edition), available from the National Fire Protection Association, Batterymarch Park, Quincy, MA 02269.
- ◆ Locate the fryer under a hood with adequate connection to an exhaust duct. The hood must extend 6" (15 cm) beyond fryer on both sides.
- ◆ Clearance above the fryer should be adequate for combustion byproducts to be removed efficiently.
- ◆ An 18" (46 cm) minimum clearance should be maintained between the flue vent and the filters of the hood venting system.
- ◆ Never make flue connections directly to the fryer.
- ◆ Do not obstruct the flow of the gases from the appliance. Proper air balance should be maintained in the room.
- ◆ Ensure that your ventilation system does not cause a down draft at the fryer's flue opening. Down draft will not allow the fryer to exhaust properly and will cause overheating which may cause permanent damage. Damage caused by down draft will not be covered under equipment warranty. Never allow anything to obstruct the flue or ventilation exiting from the fryer flue. Do not put anything on top of flue area.

GAS CONNECTION

⚠ WARNING All gas supply connections and any pipe joint compound must be resistant to the action of propane gases.

The gas inlet is located on the lower rear of the fryer. Codes require that a gas shutoff valve be installed in the gas line ahead of the fryer.

The gas supply line must be at least the equivalent of ½" (12.7 mm) iron pipe for single units and 1-1/4" (31.75 mm) for batteries. If using the optional quick-disconnect flex hose, ¾" (19 mm) iron pipe for single units and 1-1/4" (31.75 cm) iron pipe for batteries.

Make sure the pipes are clean and free of obstructions, dirt, and piping compound. A battery requires one or two connections of appropriate size for the gas requirement.

⚠ WARNING Prior to lighting, check all joints in the gas supply line for leaks. Use soap and water solution. Do not use an open flame.

After piping has been checked for leaks, fully purge gas pipes to remove air.

GAS PRESSURES (ALL MODELS):

The gas pressure should be set at 4" W.C. (Water Column) (0.8 kPa) for natural gas and 10" W.C. (2.75 kPa) for propane gas. If incoming pressure exceeds ½ PSI (3.45 kPa), an additional pressure regulator must be installed.

TESTING THE GAS SUPPLY PIPING SYSTEM:

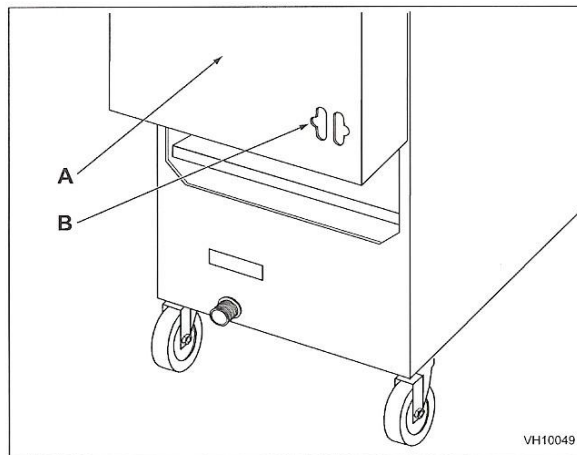
When test pressures exceed ½ PSI (3.45 kPa), the fryer and its individual shutoff valve must be disconnected from the gas supply piping system.

When test pressures are ½ PSI (3.45 kPa) or less, the fryer must be isolated from the gas supply piping system by closing its individual shutoff valve.

Fryers with Casters:

Separate instructions for installing casters are included with the casters:

- ◆ The installation shall be made with a connector that complies with the Standard for Connectors for Movable Gas Appliances, ANSI Z21.69, CAN/CGA-6.16, and a quick-disconnect device that complies with the Standard for Quick-Disconnect Devices for Use with Gas Fuel, ANSI z21.41 CSA 6.9 or Quick-Disconnect Devices for Use with Gas Fuel,
- ◆ When installing a quick disconnect you must also install a means for limiting the movement of the fryer. This device will prevent the gas line or quick disconnect from being strained. The restraining device should be attached to the cutout on the back panel. See illustration for location.



- A Rear of Fryer
- B Strain Relief Chain Connection
(Chain supplied by others)

- ◆ The fryer must be installed with a connector (not supplied by Vulcan) complying with the above codes.
- ◆ The fryer must be installed with restraining means to guard against transmission of strain to the connector. See illustration.
- ◆ The fryer must be installed with the casters provided.
- ◆ If the restraint is ever to be disconnected, first turn the gas supply off. If disconnection of the restraint is necessary, to reconnect this restraint after the fryer has been returned to its originally installed position.

LEVELING THE FRYER

Check the level of the fryer by placing a level on top of the fryer after gas connections have been made.

Ensure that the fryer is level front-to-back and side-to-side in the final installed position.

Lock the wheels after unit is level.

OPERATION

⚠ WARNING Hot oil and parts can cause burns. Use care when operating, cleaning and servicing the fryer.

⚠ WARNING Spilling hot frying compound can cause severe burns. Do not move fryer without draining all frying compound from the tank.

⚠ WARNING Fryer is not to be used during a power outage

OVER-TEMPERATURE SHUTDOWN

If the shortening becomes overheated, a high-temperature shutoff device will turn the gas valve off and extinguish the pilot.

If the fryer shuts down due to overheating, DO NOT relight the pilot until the shortening temperature is below 300 F (149 C).

If an overheating situation persists, contact your local Vulcan-Hart authorized service office.

BEFORE FIRST USE

Cleaning

New units are wiped down at the factory to remove any visible signs of dirt, oil, grease, etc. remaining from the manufacturing process.

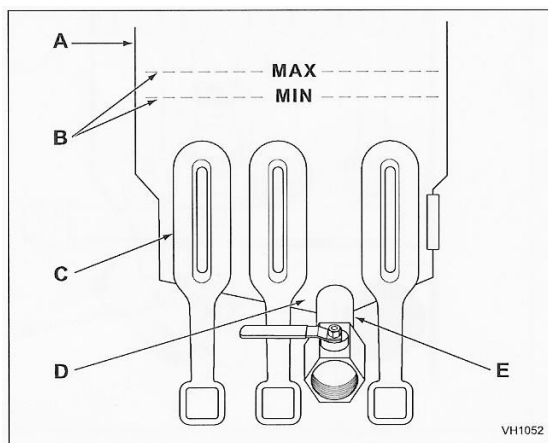
Before any food preparation, thoroughly wash the protective oil from all surface parts and the tank interior with hot soapy water to remove any film residue and dust or debris.

NOTICE Do not use chlorine or sulfate/sulfide cleaners.

- ◆ Wash any accessories shipped with unit.
- Rinse fryer and accessories thoroughly and drain the fryer.
- ◆ Wipe tank completely dry with a soft, clean cloth.

FILLING TANK WITH SHORTENING

NOTICE Solid shortening must NOT be used with GRM fryers. Melting solid shortening will damage the tank and void your warranty.

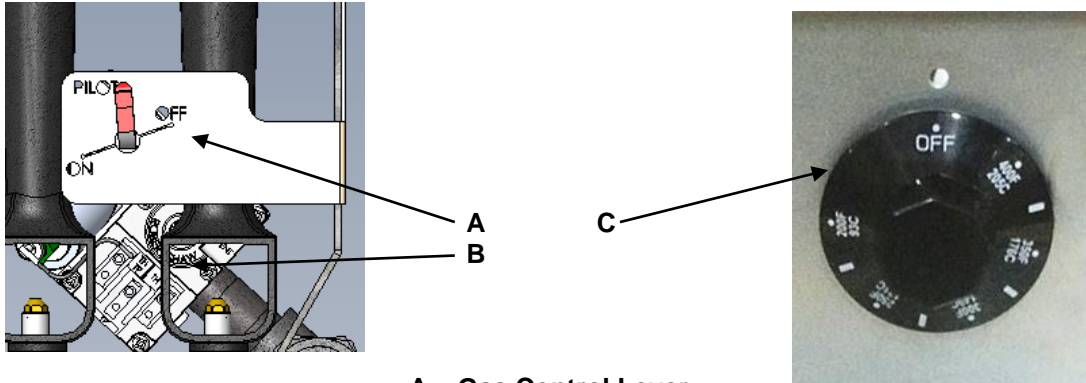


- A Fryer Tank
- B MIN and MAX Fill Level Lines
- C Heat Pipes
- D Cold Zone
- E Drain Pipe

GRMF SERIES GAS FRYERS

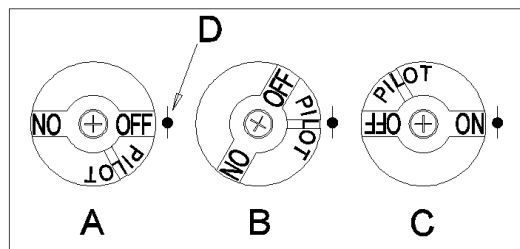
- ◆ Close the drain valve.
- ◆ Fill the fryer tank with liquid shortening.
- ◆ Shortening level should be between the min and max lines in the fryer tank.
- ◆ Shortening will expand when heated. Do not fill the fryer tank past the MAX line.
- ◆ Add fresh shortening as needed to maintain oil level.

LIGHTING THE PILOT



**A – Gas Control Lever
B – Gas Valve
C – Thermostat**

1. Open the door.
2. Turn the thermostat to OFF The thermostat is located behind the door.
3. Push the gas control valve knob and turn to OFF (see figure below, view A). Wait 5 minutes for unburned gas to vent.
4. Push and turn gas control valve knob to the “L” in PILOT (see figure below, view B).
5. While still holding the knob in, light the pilot with a lit flame. Continue to depress the knob until pilot remains lit when knob is released. If the pilot does not remain lit, repeat step 3 through 5.
6. Depress and turn gas control knob to ON (See figure below, view C).
7. If gas supply is interrupted, repeat steps 2 through 6.



**A Gas Valve Knob, View A
B Gas Valve Knob, View B
C Gas Valve Knob, View C
D Indicator Point, All Views**

TURNING ON THE FRYER

- ◆ Set the temperature knob to desired temperature.
- ◆ After the set temperature has been reached, the thermostat shuts off the gas flow to burners.
- ◆ The pilot remains lit. The burners will cycle on and off, maintaining the set temperature.

TURNING OFF THE FRYER

1. Turn the thermostat OFF.
2. To keep the pilot lit, turn the gas valve to “L” in Pilot.
3. To shut off all gas to the system, including the pilot, turn the gas valve knob to the OFF position.

EXTENDED SHUTDOWN

1. Turn the thermostat knob to OFF.
2. Push in the pilot knob and turn to OFF.
3. Thoroughly drain the fryer. Refer to DRAINING THE FRYER.
4. Clean the fryer according to CLEANING.
5. Turn off the main gas shutoff valve.

BASIC FRYING INSTRUCTION

- ◆ Set the desired temperature and allow shortening to heat up to that temperature.
- ◆ Fry items that are the same size to ensure equal doneness.
- ◆ Drain or wipe dry raw or wet foods to minimize splatter when lowering into hot shortening.
- ◆ Add fresh shortening as needed.

Fry Basket Guidelines

- ◆ Do not overfill baskets. (See table for recommended basket capacities below) Carefully lower basket into oil.
- ◆ When frying doughnuts and fritters, turn product only once during frying.

- ◆ When cooking French fries or onion rings, shake the basket several times.
- ◆ Batter-covered foods should be dropped carefully, one by one, into shortening or basket. If you use the basket, first dip the basket into the shortening to reduce batter-build up on basket surfaces.
- ◆ When frying is completed, remove basket or product. Hang basket on rear hanger.

Fry Basket Capacity:

1GR35M: Recommended pounds per basket are 1.5 lbs. (0.7 kg).

1GR45M: Recommended pounds per basket are 2.5 lbs. (1.1 kg).

1GR65M: Recommended pounds per basket are 3.0 lbs. (1.4 kg).


1GR85M: Recommended pounds per basket are 3.5 lbs. (1.6 kg).

EXTENDING SHORTENING LIFE

Shortening life can be extended by the following guidelines:

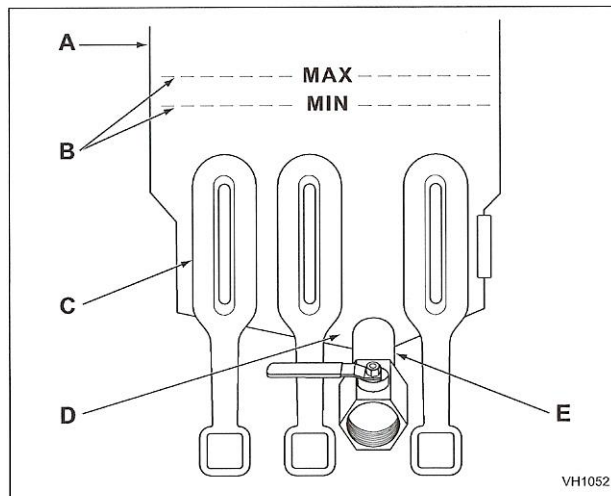
- ◆ Do not salt foods over the fryer.
- ◆ Use good-quality shortening.
- ◆ Filter shortening daily (at a minimum).
- ◆ Replace shortening if it becomes poorly flavored.
- ◆ Keep equipment and surrounding clean. Use tank covers when not in use. (accessory).
- ◆ Set thermostat correctly.
- ◆ Remove excess moisture and particles from food products before placing on fryer.
- ◆ Use a fitted tank cover (accessory) to keep oil covered from light and oxygen

DRAINING THE OIL – Free Standing Fryers Only

 **WARNING Hot oil and hot parts can cause burns. Use care when operating, cleaning, and servicing the fryer.**

1. Turn the thermostat knob to the OFF position. .
2. Insert the drain extension into the drain valve. Tighten only hand tight.
3. Direct the drain extension into the mobile filtering device that you want to use.

4. Slowly open the drain valve to allow oil to flow from the fry tank to the filter pan. Then open the drain valve all the way.
5. When fry tank is empty use the tank brush to remove any additional debris.
6. Close the drain valve.
7. Fill tank with new shortening. Fill to a minimum of the MIN level but no higher than halfway between MIN and MAX. Oil will expand as it is heated.
8. After the fry tank is filled with new oil, turn the thermostat knob to the desired set temperature. The burners will come on and will heat the oil.



- A Fryer Tank
- B MIN and MAX Fill Level Lines
- C Heat Pipes
- D Cold Zone
- E Drain Pipe

CLEANING

⚠ WARNING Hot oil and hot parts can cause burns. Use care when operating, cleaning, and servicing the fryer.

Daily

Clean your fryer regularly with the tank brush along with a damp cloth, and polish with a soft dry cloth. If regular cleaning is neglected, grease will be burned on and discolorations may form.

Fingerprints are sometimes a problem on highly polished surfaces of stainless steel. They can be minimized by applying a cleaner that will leave a thin oily or waxy film.

- ◆ Clean all exterior surfaces of your fryer at least once daily.
- ◆ Use a damp cloth with warm water and a mild soap or detergent.

NOTICE Do not use chlorine or sulfate/sulfide cleaners.

- ◆ Rinse thoroughly, and then polish with a soft dry cloth.
- ◆ Keep the fryer exterior clean and free of accumulated grease to prevent stubborn stains from forming. If regular cleaning is neglected, grease will be burned on and discolorations may form.
- ◆ Remove discolorations by washing with any detergent or soap and water.
- ◆ Use a self-soaping, non-metallic scouring pad for particularly stubborn discolorations.
- ◆ Always rub with the grain of the stainless steel.
- ◆ Do not use a metallic scoring pad or harsh cleaners.

BOIL OUT PROCEDURE

Weekly or as required:

1. Drain the tank as described under DRAINING THE TANK.
2. Once the shortening has been drained, flush out scraps and sediment using the provided tank brush.
3. Close the drain valve and fill tank water. Use a low foaming cleaner/degreaser to clean the fry tank. Follow the instructions on the side of the package.

NOTICE Do not use chlorine or sulfate/sulfide cleaners.

4. Solution level must be between the MIN and MAX levels on the fryer tank.
5. Set the temperature knob to 200°F or for the recommended solution being used. Allow solution to simmer for about 15 to 20 minutes.
6. Drain the cleaning solution from the tank.
7. Close the drain valve and refill the tank with water. Add 1 cup (1/4 L) of vinegar to neutralize alkaline left by the cleaner. Solution level must be between the MIN and MAX level on the fryer tank.
8. Bring the solution to a simmer only, turn the thermostat off. Allow to stand for a few minutes.

GRMF SERIES GAS FRYERS

9. Drain the tank according to DRAINING THE TANK. Rinse thoroughly with clear, hot water. All traces of cleaner must be removed. Dry the tank thoroughly.
10. Close the drain valve and add shortening. Follow the FILLING TANK WITH SHORTENING procedure in this manual. The fryer is now ready for use.

**KleenScreen *PLUS*® Filtration System
Installation and Operational Manual
For GRMF Models**

2GR45MF	ML-136417
2GR65MF	ML-136418
2GR85MF	ML-136419
3GR45MF	ML-136420
3GR65MF	ML-136421
3GR85MF	ML-136422
4GR45MF	ML-136423

Filtering Instructions for KleenScreen *PLUS*® Fryers

General

The KleenScreen *PLUS*® filtration system filters the oil as it is pumped back into its' respective tank(s). Only one tank can be drained and filtered at a time. Under no circumstances should both tanks be drained at the same time.

Assembly

1. After unpacking, wash the filter pan, crumb basket and filter screen assembly. Make sure you remove the insert located inside the filter screen. Use dishwashing detergent and warm water, (parts are dishwasher safe). Rinse the filter pan, crumb basket and filter screen components completely and wipe all parts dry with a clean cloth.
2. Pull out the filter drawer all the way leaving the filter pan opening exposed.
3. Place the filter tank into the filter drawer making sure that the pins on the bottom of the filter pan line up with the holes in the filter drawer. Position the filter screen assembly into the suction tube clip in the filter pan positioning the filter screen assembly flat on the bottom of the filter pan. Place the primary crumb basket onto the left handle of the filter pan.
4. Carefully line up the suction tube nozzle so that it mates with the oil receptacle block mounted on the frame of the fryer battery. Close the drawer. See Figures 1, 2 3 and 4.

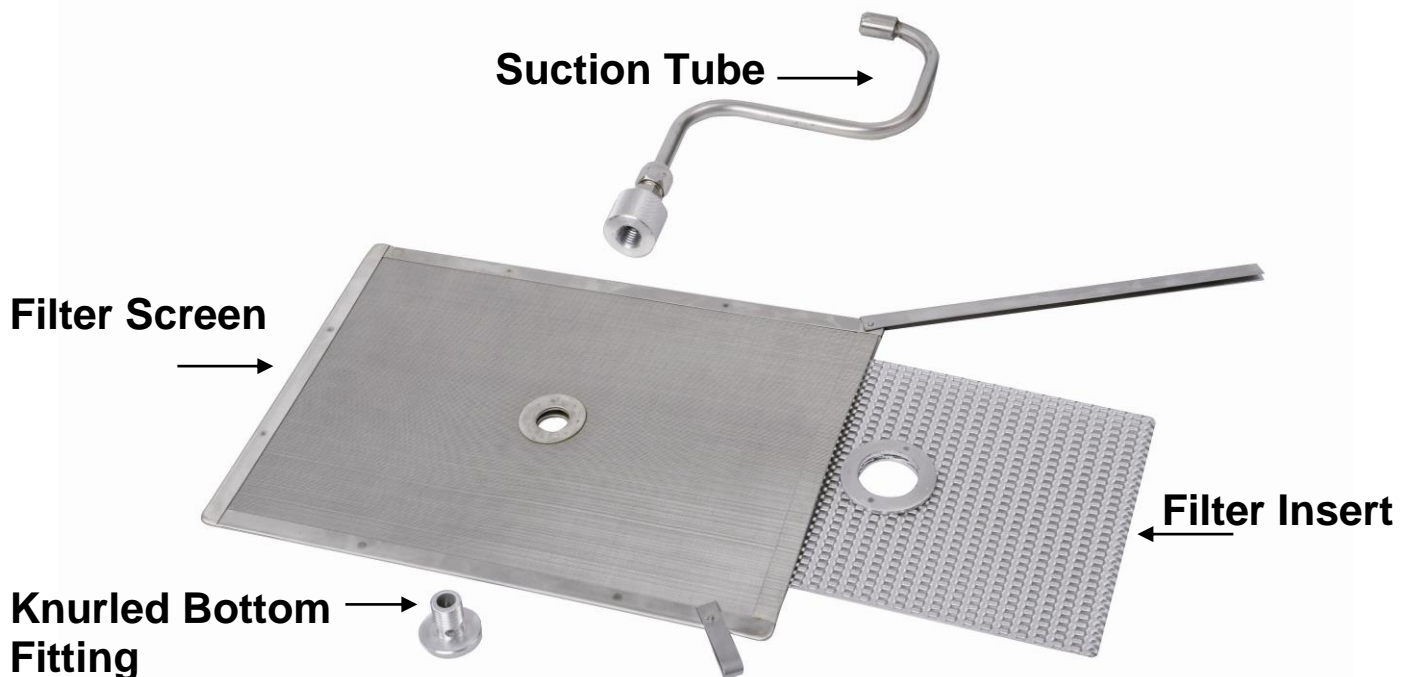


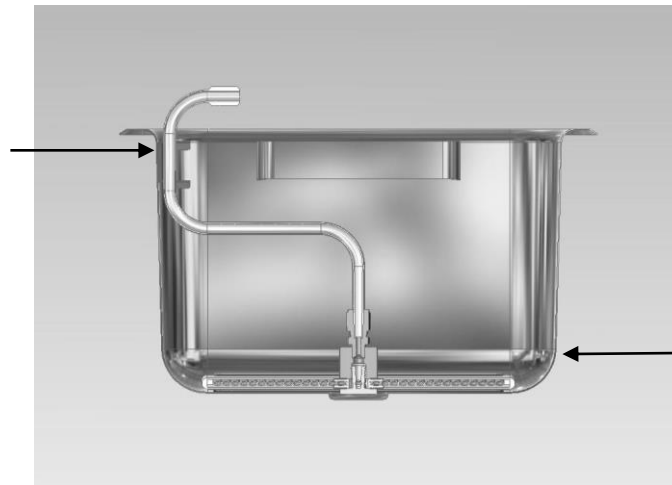
Fig. 1

Fully assembled filter screen assembly:



Fig. 2

Secure Tube with Suction Tube Clip



Filter Screen Lays Flat On Bottom of Filter Pan

Fig. 3

Micro-Filtration Fabric Envelope Accessory Assembly:

Same Suction Tube

Fabric Envelope

Fabric Envelope Insert (Different from Screen Assembly)

Same Knurled Knob

Same Clip

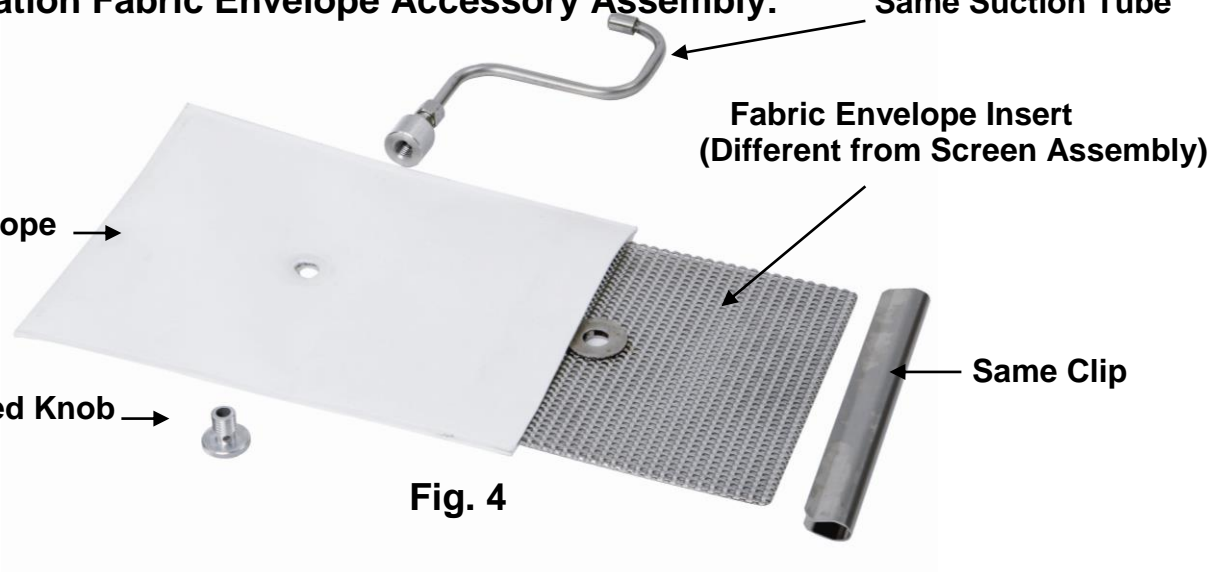
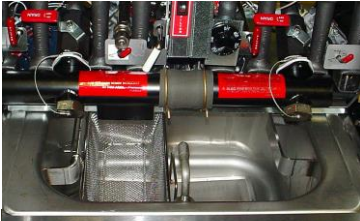


Fig. 4

INSTRUCTIONS TO REMOVE & REPLACE KLEENSCREEN *PLUS*® FILTER ENVELOPE ACCESSORY

FOR ABSOLUTE FILTRATION & MAXIMUM FLOW RATE WE RECOMMEND YOU CHANGE YOUR FILTER ENVELOPES AT EVERY OIL CHANGE (10-14 DAYS DEPENDING ON OIL USAGE).



Step 1

Discard all oil from the filter vessel, (see pages 23 or 24). When the filter pan is empty, use a spatula and scrape off all debris left on the filter envelope and in the filter pan.



Step 2

Unscrew "S" Tube from filter by turning the Bottom Knurled fitting counter- clockwise.



Step 3

Remove SST Closure Clip by lifting off one side.



Step 4

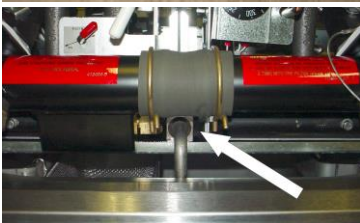
Remove SST Filter Screen Insert and wash insert with hot water and dry thoroughly. The Filter Screen Insert is dishwasher safe. Place the insert into a new KleenScreen *PLUS*® Filter envelope.

DO NOT WASH FABRIC ENVELOPE



Step 5

Place Filter Screen Insert into the fabric envelope making sure that the holes line up. Fold over the other end of the envelope and place SST Closure Clip on – hinge over and firmly press clip all the way down to secure and seal filter assembly. Making sure that the folded end is face down; screw "S" Tube Assembly onto the Filter Assembly. Tighten the Bottom Knurled fitting. When tightened, the "S" Tube assembly should be perpendicular to the long side of the filter assembly.



Step 6

Reposition the filter tube into the provided clip. Align filter tube so that the end of the "S" Tube engages the Oil Receptacle fitting each time the drawer is opened and closed.

Operation

▲ WARNING Hot oil and parts can cause burns. Use care when operating, cleaning and servicing the fryer.

▲ WARNING Spilling hot frying compound can cause severe burns. Do not move fryer without draining all frying compound from the tank.

NOTICE Never run water or boil out solution through filter and motor / pump. Doing so will void your fryer warranty.

NOTICE Solid shortening should NOT be used with GRM fryers. Melting solid shortening will damage the tank and void your warranty.

NOTICE Filter ONLY one fry tank at a time.

FILTERING PROCEDURE WHEN USING LIQUID SHORTENING:

Oil Temperature should be 300-350° F. Use the provided crumb scoop to remove and suspend crumbs on the bottom of the tank before proceeding to Step 1.

1. Turn the Fryer temperature knob to the **OFF** position.

NOTICE Do **NOT** heat the fryer during the filtering procedure. Permanent damage to your fry tank may occur and warranty may be voided.

2. Vulcan recommends adding an oil treatment media to the oil prior to filtering.
3. Turn the Gas Valve Lever to the PILOT Position as shown in Fig. 5a.
4. Press the Filter Power switch to the ON position, Fig. 5b. Make sure that the filter drawer is closed completely and that the suction tube and receptacle block are in the correct position. Fig. 5c.

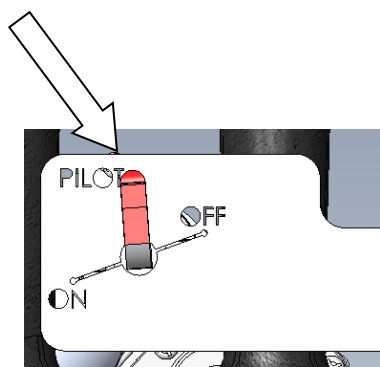


Fig 5a



Fig. 5b

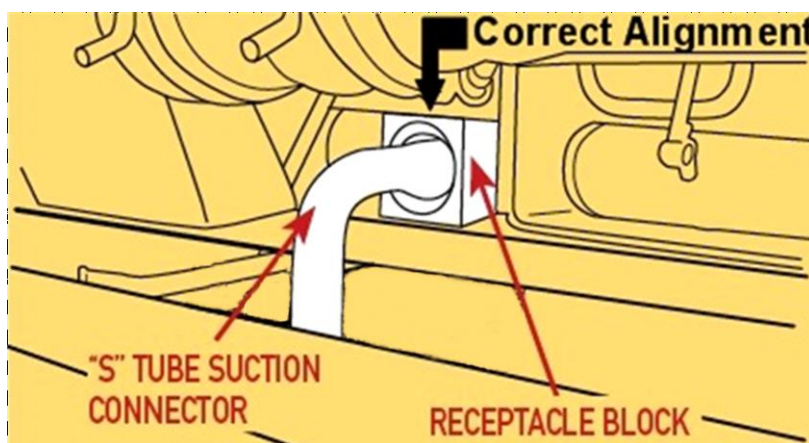


Fig. 5c



Fig. 6

5. Drain the oil from the fry tank by turning the drain valve handle. The filter pan will begin to fill with oil. Once the tank is drained, pull the red handled FILTER lever towards you. See Fig 6. The motor / pump will begin and oil will flow back into the fry tank. The oil will flow into the back of the tank towards the front and then back down into the filter pan.
6. After a minute, close the drain valve turning off the flow of oil into the filter pan. The fry tank will begin to fill. It is normal to see air bubbles in the tank when the filter pan is emptied. The motor / pump sound will change when the filter pan is empty of oil which is normal. Push in the red FILTER handle lever to turn off motor/pump.
7. Press the FILTER switch to the OFF position. Turn the Gas lever to the ON position. Fig. 5a.
8. The oil level is correct when it is between the Min / Max lines on the fry tank. Add new oil if necessary.
9. Turn the Thermostat knob to the desired temperature. Burners should turn on and the oil should begin to heat.
10. Repeat this procedure for the remaining tank(s) in the battery.
11. When finished filtering and the filter assembly has cooled down to room temperature, clean all of the filter components as in step 1 under Assembly section on page 17.

FILTERING TIP:

Open the filtering drawer approximately 1" to allow any oil in the return line to run back into the filter pan. This will take about 30 seconds to complete. Then open the drawer completely to clean filter components.

REMOVING EXCESS DEBRIS FROM THE FILTER:

1. Pull the filter drawer out.
2. Remove the filter screen assembly. Scrape debris from the filter screen. Then remove the insert by unlatching the latch. Clean all parts thoroughly as mentioned in the Assembly section on page 17.
3. Scrape debris from the bottom of the filter pan and discard in the trash. Clean all parts thoroughly as mentioned in the Assembly section on page 17. Clean all parts thoroughly as mentioned in the Assembly section on page 17.
4. Reassemble all filter components after being dried thoroughly as in the Assembly section on page 17.

DISCARDING / RINSING THE OIL:

1. Follow filtering instructions 1-4, however do not put oil treatment media into the fryer if discarding the oil. Add oil treatment if flushing the tank. Drain the fryer oil into the filter pan.
2. Attach the female end of the hose to the male quick disconnect fitting.
3. To DISCARD the oil, place nozzle end of the hose into a container that is large enough to retain the discarded shortening.

4. To start the discard pull the Yellow DISCARD lever rod forward and the Motor/Pump will begin to operate. NOTE: Oil will exit immediately out of the nozzle end of the hose. See Fig 7.

**Fig. 7**

5. Once the oil has been discarded completely and the filter pan is empty, push the Discard Lever back in. The Motor/Pump will stop. Press the Filter Switch to the OFF position.
6. Close the drain valve and remove the hose. The hose connection will be hot due to the temperature of the oil that was discarded. Be careful to let the hose drain before putting away.
7. Fill tank with new oil to the MIN line on the fry tank.
8. To RINSE the tank with filtered oil to remove the particulates that have accumulated repeat steps 1-4. Hold the nozzle end of the hose over the fry tank. NOTE: Oil will exit immediately out of the nozzle end of the hose when pulling the yellow DISCARD lever towards you.
9. When tank is completely rinsed, push the yellow DISCARD lever back in and the motor/pump will stop. Drain the hose of excess oil. Repeat step 6.
10. Pull the red handled FILTER lever towards you. See Fig 6. The motor / pump will begin and oil will flow back into the fry tank. The oil will flow into the back of the tank towards the front filling up the fry tank.
12. It is normal to see air bubbles in the tank when the filter pan is emptied. The motor / pump sound will change when the filter pan is empty of oil which is normal. Push in the red FILTER handle lever to turn off motor/pump.
13. Press the FILTER switch to the OFF position. Turn the Gas lever to the ON position. Fig. 5a.
14. The oil level is correct when it is between the Min / Max lines on the fry tank. Add new oil if necessary.
15. Turn the Thermostat knob to the desired temperature. Burners should turn on and the oil should begin to heat.
16. Repeat this procedure for the remaining tank(s) in the battery.
17. When finished filtering and the filter assembly has cooled down to room temperature, clean all of the filter components as in step 1 under Assembly section on page 17.

BOIL OUT PROCEDURE:

Use the Boil Out By-Pass™ drain extension allowing the boil out solution to exit the fry tank without using the filtering system. Do NOT allow water to run through the motor / pump. Drain the boil out solution into a bucket or place a high temperature rated water hose on the end of the drain extension allowing the other end to flow into a floor drain. In Fig. 8 the arrow is pointing to the drain extension. It is threaded into the top coupling of the oil drain tube. Drain extension needs to be only hand tightened.

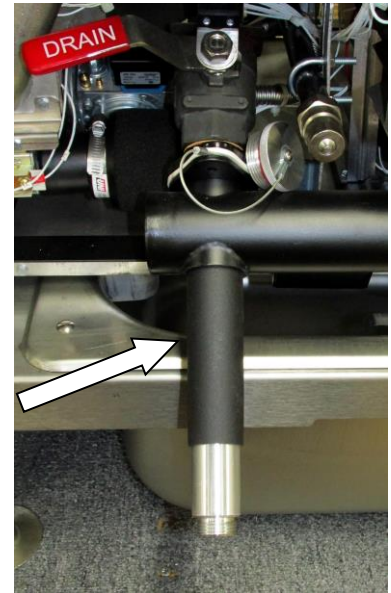


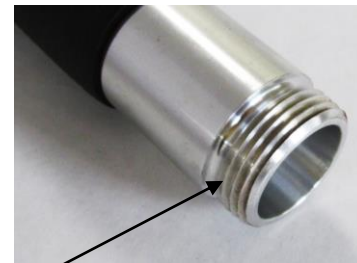
Fig. 8



Boil Out By-Pass™ Extension Tube



Standard Hose End (Smaller Thread Side)



Drain Tube End (Larger Size Threads)

THERMAL OVERLOAD PROTECTION BUTTON:

The motor/pump supplied with the filtering system has a thermal overload protection circuit that senses when excess heat occurs due to filtering for long periods of time or under heavy load prior to discarding debris buildup. If the thermal overload protection is tripped, wait 5 minutes and then reset the motor by pushing in the red button. The arrow in Figure 9 shows the location of the reset button; located on the front of the motor / pump facing towards you.

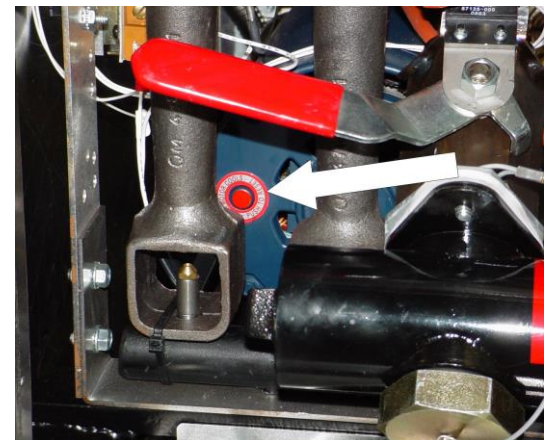


Fig. 9

MAINTENANCE

⚠ WARNING Hot oil and hot parts can cause burns. Use care when operating, cleaning, and servicing the fryer.

⚠ WARNING Spilling hot fryer compound can cause severe burns. Do not move fryer without draining all frying compound from the tank.

FLUE VENT INSPECTION

When the fryer is cool, inspect annually. Check the flue and clear any obstructions.

Service in the US and Canada

Check www.vulcanequipment.com for the closest service office.

Troubleshooting Chart:	
Problem:	Probable Cause:
No Heat:	Thermostat dial not turned on. Pilot not lit. Gas supply not turned on. Wire connections loose (call service) Wires connections need cleaning (call service) Thermopile (call service)
Insufficient or too much heat:	Thermostat dial not set to desired temperature. High limit tripped (call service) Temperature probe (call service)
Tank will not drain:	Shortening too cold. Drain pipe clogged with debris.
Motor / pump will not pump oil:	Suction tube not seated correctly in receptacle block. Filter screen is clogged and needs cleaning. Shortening is too thick / cold. Heat oil up to min. 300° F. Discard valve lever not fully engaged either for filtering or discarding. Thermal overload protection button tripped.



DONE TO PERFECTION.

GUIDE D'INSTALLATION ET D'UTILISATION

FRITEUSES À GAZ SÉRIE GRMF

MODÈLES :

2GR45MF
2GR65MF
2GR85MF
3GR45MF
3GR65MF
3GR85MF
4GR45MF

ML-136417
ML-136418
ML-136419
ML-136420
ML-136421
ML-136422
ML-136423



2GR45MF illustrée

Pour obtenir des renseignements supplémentaires au sujet de Vulcan-Hart ou pour trouver un fournisseur de pièces et service autorisé dans votre région, veuillez visiter notre site web à www.vulcanequipment.com

RENSEIGNEMENTS DE SÉCURITÉ IMPORTANTS

CE MANUEL A ÉTÉ PRÉPARÉ POUR DU PERSONNEL QUALIFIÉ DANS L'INSTALLATION D'ÉQUIPEMENT FONCTIONNANT AU GAZ QUI DEVRAIT EFFECTUER LE DÉMARRAGE INITIAL SUR PLACE ET LES AJUSTEMENTS DE L'ÉQUIPEMENT FAISANT L'OBJET DE CE MANUEL.

AFFICHEZ À UN ENDROIT VISIBLE LES DIRECTIVES À SUIVRE EN PRÉSENCE D'ODEUR DE GAZ. CES RENSEIGNEMENTS PEUVENT AUSSI ÊTRE OBTENUS AUPRÈS D'UN FOURNISSEUR LOCAL DE GAZ.

IMPORTANT

EN PRÉSENCE D'ODEUR DE GAZ, ARRÊTER L'APPAREIL À L'AIDE DE LA SOUPE PRINCIPALE ET COMMUNIQUER AVEC LA COMPAGNIE DE GAZ OU LE FOURNISSEUR DE GAZ POUR LA RÉPARATION DE L'APPAREIL.

POUR VOTRE SÉCURITÉ

NE PAS RANGER NI UTILISER D'ESSENCE OU D'AUTRES VAPEURS OU LIQUIDES INFLAMMABLES DANS LES ENVIRONS DE CET APPAREIL OU DE TOUT AUTRE APPAREIL ÉLECTROMÉNAGER.



Une installation, un ajustement, une modification, une réparation ou un entretien inapproprié peuvent entraîner des dommages, des blessures ou la mort.
Lire attentivement les directives d'installation, d'utilisation et d'entretien avant d'installer ou de faire l'entretien de cet appareil.

TABLE DES MATIÈRES

RENSEIGNEMENTS DE SÉCURITÉ IMPORTANTS	26
INTRODUCTION.....	28
GÉNÉRALITÉS	28
COMMANDE DE PIÈCES.....	28
CAPACITÉ DE LA FRITEUSE	28
DÉBALLAGE	28
INSTALLATION	29
Dégagement.....	29
Emplacement	30
CODES ET NORMES.....	30
ASSEMBLAGE	31
RACCORDEMENT DU CONDUIT DE FUMÉE.....	31
RACCORDEMENT DU GAZ	32
Raccord rapide pour les appareils sur roulettes.....	32
PRESSION DU GAZ	32
TEST DE L'ALIMENTATION EN GAZ.....	32
FRITEUSES AVEC ROULETTES	32
MISE À NIVEAU DE LA FRITEUSE.....	33
UTILISATION.....	33
ARRÊT EN CAS DE SURCHAUFFE.....	34
AVANT LA PREMIÈRE UTILISATION.....	34
Nettoyage	34
REPLISSAGE DE LA CUVE DE GRAISSE ALIMENTAIRE	34
ALLUMAGE DE LA FLAMME PILOTE	35
ALLUMAGE DE LA FRITEUSE	36
ARRÊT DE LA FRITEUSE	36
ARRÊT PROLONGÉ.....	36
DIRECTIVES DE FRITURE DE BASE.....	36
Directives d'utilisation du panier à friture	36
PROLONGATION DE LA DURÉE DE VIE DE LA GRAISSE	
ALIMENTAIRE	37
VIDANGE DE LA CUVE	37
FILTRAGE QUOTIDIEN - TOUS LES MODÈLES	37
NETTOYAGE	38
Quotidien	38
PROCÉDURE D'ÉBOUILLANTAGE	39
GUIDE D'INSTALLATION ET D'UTILISATION	
DE KLEENSCREEN <i>PLUS</i> ®.....	40
MODÈLES À GAZ KLEENSCREEN <i>PLUS</i> ®	40
INSTRUCTIONS DE FILTRAGE POUR LES FRITEUSES	
KLEENSCREEN <i>PLUS</i> ®.....	41
GÉNÉRALITÉS.....	41
MONTAGE.....	41
UTILISATION.....	44
PROCÉDURE DE FILTRAGE.....	44
CONSEIL POUR LE FILTRAGE	45
RETRAIT DE L'EXCÉDENT DE DÉBRIS DU FILTRE	45
VIDANGE ET MISE AU REBUT	46
PROCÉDURE D'ÉBOUILLANTAGE.....	47
BOUTON DE RÉINITIALISATION DE LA PROTECTION	
CONTRE LES SURCHARGES THERMIQUES.....	48
ENTRETIEN.....	48
INSPECTION DU CONDUIT DE FUMÉE	48
Service aux É.-U. et au Canada.....	48
DÉPANNAGE.....	49
..... Tableau de dépannage.....	49

INTRODUCTION

GÉNÉRALITÉS

Les friteuses Vulcan sont fabriquées avec de la main-d'œuvre qualifiée et des matériaux de qualité. Une installation, une utilisation et un entretien approprié favoriseront des années de performance satisfaisante.

Avant d'installer la friteuse, lisez ce manuel en entier et suivez attentivement toutes les instructions.

Ce manuel s'applique au modèle figurant sur la page de couverture. Les procédures décrites dans ce manuel s'appliquent à tous les modèles sauf indication contraire. Les images et les illustrations peuvent être de n'importe quel modèle sauf si la photo ou l'illustration doit être spécifique du modèle.

COMMANDE DE PIÈCES

Les clients peuvent commander des pièces directement de leur centre de service autorisé. Si vous ne le connaissez pas, appelez le Service à la clientèle de Vulcan au 800-814-2028.

Pour accélérer votre commande, indiquez le numéro de modèle, le numéro de série, le type de gaz, la pièce nécessaire, le numéro de référence de l'article (si connu) et la quantité nécessaire.

CAPACITÉ DE LA FRITEUSE				
MODÈLE - GMO	Nombre de tubes à chaleur par cuve de friture	BTU/heure par cuve de friture	Largeur totale du système en po (cm)	Quantité de graisse alimentaire en lb (kg) par cuve de friture
2GR45MF	4	120 000	31 (79)	45 à 50 (21 à 23)
3GR45MF	4	120 000	46,5 (118)	45 à 50 (21 à 23)
4GR45MF	4	120 000	62 (158)	45 à 50 (21 à 23)
2GR65MF	5	150 000	42 (107)	65 à 70 (29 à 32)
3GR65MF	5	150 000	63 (160)	65 à 70 (29 à 32)
2GR85MF	5	150 000	42 (107)	85 à 90 (39 à 41)
3GR85MF	5	150 000	63 (160)	85 à 90 (39 à 41)

DÉBALLAGE

Cette friteuse a été inspecté avant de quitter l'usine. En acceptant sa livraison, le transporteur prend l'entière responsabilité de le livrer en toute sécurité. Immédiatement après la livraison, vérifiez s'il a effectivement subi des dommages pendant le transport.

S'il s'avère que le friteuse a été endommagé, veuillez suivre les procédures suivantes :

1. Le transporteur doit être averti dans les 5 jours ouvrables suivant la réception.
2. Les gens du terminus local du transporteur doivent être avisés immédiatement lors de la découverte des dommages (indiquez l'heure, la date et à qui vous avez parlé) et assurez le suivi en confirmant les faits par écrit ou par communication électronique.
3. Pour fins d'inspection, tout le matériel d'emballage original doit être conservé.
4. Le friteuse ne doit pas avoir été déplacé, installé ou modifié.
5. Avisez le Service à la clientèle de Vulcan immédiatement en faisant le (800) 814-2028.

Vérifiez que les éléments suivants ont été inclus :

- ◆ Ramasse-miettes
- ◆ Support à panier
- ◆ Paniers à friture double (2)
- ◆ Brosse à cuve
- ◆ Roulettes réglables (4), deux verrouillables, deux non-verrouillables pour les friteuses autostables. Friteuse les batteries avec Système de filtration KleenScreen *PLUS*® ont des roulettes installées à l'usine.
- ◆ Rallonge de tuyau de vidange pour les friteuses autostables seulement.
- ◆ Paniers à friture double (2) par cuve de friture.
- ◆ Tige de nettoyage pour les friteuses autostables seulement.
- ◆ Pelle ramasse-miettes pour les friteuses autostables seulement.
- ◆ Manuel et garantie - Conserver aux fins de référence ultérieure.
- ◆ Batteries de friteuse avec le Système de filtration KleenScreen *PLUS*®
 - Panier filtreur
 - Tube d'aspiration
 - Ensemble écran-filtre
 - Tuyau de vidange haute température de 6 pi (1 829 mm) de longueur

INSTALLATION

N'utilisez pas la porte ou sa poignée pour soulever la friteuse.

Avant l'installation de la friteuse, vérifiez que le type de gaz (naturel ou propane) est conforme aux spécifications de la plaque signalétique de la friteuse, située à l'intérieur du panneau de porte. Assurez-vous que la friteuse est configurée pour l'élévation appropriée.

Inscrivez les numéros de modèle, d'appareil et de série de votre friteuse dans l'espace prévu ci-dessous à des fins de référence ultérieure. Ces renseignements sont inscrits sur la plaque signalétique de la friteuse.

N° de modèle de la friteuse : _____

Appareil : _____

N° série : _____

Dégagement

- ◆ Dégagement minimum de toute construction combustible :
 - 6 po (15 cm) sur les côtés de la friteuse
 - 6 po (15 cm) à l'arrière de la friteuse
- La friteuse peut être installée sur des sols constitués de matériaux combustibles

- ◆ Dégagement minimum de toute construction non combustible :
0 po sur les côtés de la friteuse
0 po à l'arrière de la friteuse
- ◆ Entre la friteuse et toute flamme découverte : 41 cm (16 po)
- ◆ Laissez de l'espace pour l'entretien et l'utilisation

Emplacement

- ◆ Installez la friteuse dans une zone disposant d'une alimentation en air suffisante pour la combustion des gaz des brûleurs de la friteuse.
- ◆ N'obstruez pas la circulation de l'air de combustion et d'aération.
- ◆ Un dégagement approprié des ouvertures d'air dans la chambre de combustion doit être fourni.
- ◆ Ne laissez jamais un ventilateur souffler directement sur la friteuse.
- ◆ Évitez les ventilateurs muraux qui produisent des contre-courants d'air dans la pièce. Évitez d'ouvrir des fenêtres à proximité de la friteuse.

CODES ET NORMES

La friteuse doit être installée conformément aux codes et normes suivantes :

Aux États-Unis :

- ◆ Codes d'État et codes locaux, ou en l'absence de codes locaux :
- ◆ National Fuel Gas Code, ANSI-Z223.1/NFPA no 54 (plus récente édition). Des exemplaires sont disponibles auprès de The American Gas Association Accredited Standards Committee Z223, @ 400 N. Capital St. NW, Washington, DC 20001 ou du Secretary Standards Council, NFPA, 1 Batterymarch Park Quincy, MA 02169-7471
- ◆ Norme no 96 de NFPA, *Vapor Removal from Cooking Equipment*, plus récente édition, disponible auprès de la National Fire Protection Association, Batterymarch Park, Quincy, MA.
- ◆ National Electrical Code, ANSI/NFPA-70 (plus récente édition). Vous pouvez en obtenir des exemplaires auprès de la National Fire Protection Association, Batterymarch Park, Quincy, MA. 02169-7471.
- ◆ Dans le Commonwealth du Massachusetts, tous les appareils à gaz ayant une hotte de ventilation ou un système d'échappement avec un registre ou des dispositifs motorisé d'échappement doivent être conformes à 248 CMR.

Au Canada :

- ◆ Codes locaux
- ◆ CAN/CSA-B149.1 Code d'installation du gaz naturel et du propane (plus récente édition), disponible auprès de l'Association canadienne de normalisation, 155, rue Queen, bureau 1300, Ottawa, Ontario Canada K1P 6L1.
- ◆ CSA-C22.1 Code canadien de l'électricité, (plus récente édition), disponible auprès de l'Association canadienne de normalisation, 155, rue Queen, bureau 1300, Ottawa, Ontario Canada K1P 6L1.

MONTAGE

La friteuse doit être retenue pour empêcher le basculement et la projection de liquide chaud. Le moyen de retenue peut être la méthode d'installation, telle que la connexion à une batterie d'appareils ménagers, l'installation de la friteuse dans une alcôve ou par des moyens distincts, tels que des liens.

RACCORDEMENT DU CONDUIT DE FUMÉE

Effectuez le raccordement du conduit de fumée comme suit :

- ◆ Respectez la norme no 96 de ANSI-NFPA *Vapor Removal from Cooking Equipment*, (plus récente édition), disponible auprès de la National Fire Protection Association, Batterymarch Park, Quincy, MA 02269.
- ◆ Placez la friteuse sous une hotte adéquatement raccordée à un conduit d'échappement. La hotte doit dépasser de 6 po (15 cm) au-dessus des deux côtés de la friteuse.
- ◆ Le dégagement au-dessus de la friteuse doit être adéquat pour que les sous-produits de combustion soient éliminés efficacement.
- ◆ Un dégagement minimal de 18 po (46 cm) doit être maintenu entre l'évent du conduit de fumée et les filtres du système de ventilation de la hotte.
- ◆ Ne raccordez jamais directement le conduit de fumée à la friteuse.
- ◆ N'obstruez pas le débit du gaz de l'appareil. Un bon équilibre de l'air doit être maintenu dans la pièce.
- ◆ Veillez à ce que votre système de ventilation ne cause pas un courant descendant à l'ouverture du conduit de fumée de la friteuse. Un courant descendant ne permet pas l'évacuation adéquate des émissions de la friteuse et entraîne une surchauffe, ce qui peut causer des dommages permanents. Les dommages causés par un courant descendant ne sont pas couverts par la garantie de l'appareil. Ne laissez jamais quoi que ce soit obstruer le conduit de fumée ou la ventilation sortant du conduit de fumée de la friteuse. Ne placez rien sur le dessus de conduit de fumée.

RACCORDEMENT DU GAZ



AVERTISSEMENT

Toutes les connexions d'alimentation en gaz et toute pâte à joint doivent être résistantes à l'action du gaz propane.

L'entrée de gaz se trouve au bas de la face arrière de la friteuse. Les codes exigent qu'un robinet d'arrêt soit installé dans la conduite de gaz à l'avant de la friteuse.

La conduite d'alimentation en gaz doit être au moins l'équivalent d'un tuyau en fer de ½ po (12,7 mm) pour les appareils simples et de 1-1/4 po (31,75 mm) pour les batteries. Si vous utilisez le tuyau flexible à raccord rapide optionnel, il doit être l'équivalent d'un tuyau de fer de ¾ po (19 mm) pour les appareils simples et de 1-1/4 po (31,75 cm) pour les batteries.

Assurez-vous que les tuyaux sont propres et libres de toute obstruction, saleté ou pâte à joint. Une batterie de réservoirs nécessite une ou deux connexions de taille correspondant à l'exigence du gaz.



AVERTISSEMENT

Avant l'allumage, vérifiez tous les raccords de la conduite d'alimentation de gaz pour vous assurer qu'il n'y a pas de fuite. Utilisez une solution de savon et d'eau. N'utilisez pas une flamme nue.

Après avoir vérifié l'absence de fuites dans la tuyauterie, purgez entièrement les tuyaux de gaz afin de supprimer l'air.

PRESSIONS DE GAZ (TOUS LES MODÈLES) :

La pression du gaz doit être réglée à 4 po CE (colonne d'eau) (0,8 kPa) pour le gaz naturel et 10 po CE (2,75 kPa) pour le gaz propane. Si la pression entrante dépasse ½ PSI (3,45 kPa), un régulateur de pression supplémentaire doit être installé.

TEST DES CONDUITES D'ALIMENTATION DE GAZ

Lorsque la pression d'essai dépasse 1/2 psi (3,45 kPa), la friteuse et son robinet d'arrêt individuel doivent être débranchés du système de conduite d'alimentation de gaz.

Lorsque la pression d'essai est de 1/2 psi (3,45 kPa) ou moins, la friteuse doit être isolée du système d'alimentation de gaz en fermant le robinet d'arrêt manuel individuel.

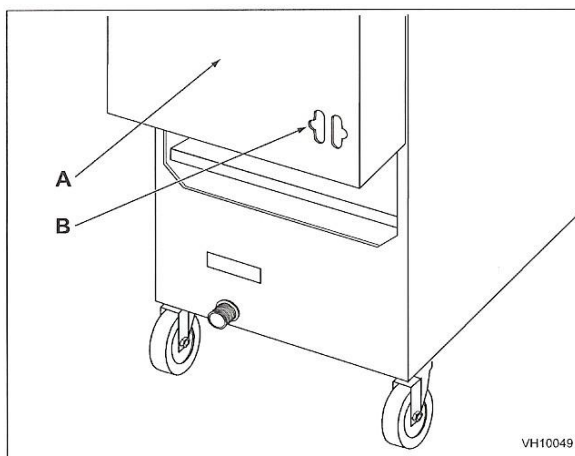
Friteuses avec roulettes :

Des instructions distinctes pour l'installation des roulettes sont incluses avec les roulettes :

- ♦ L'installation doit être effectuée au moyen d'un raccord qui est conforme à la norme *Connectors for Movable Gas Appliances*, ANSI Z21.69, CAN/CGA-6.16, et d'un dispositif de déconnexion rapide conforme à la norme *Standard for Quick-Disconnect Devices for Use with Gas Fuel*, ANSI z21.41 ou *Quick-Disconnect Devices for Use with Gas Fuel*, CSA 6.9.

GRMF SERIES GAS FRYERS

- ◆ Lors de l'installation d'un raccord rapide, vous devez également installer un dispositif pour limiter le mouvement de la friteuse. Ce dispositif permettra d'éviter l'imposition d'une force excessive sur la conduite de gaz ou au raccord rapide. Le dispositif de retenue doit être fixé à la découpe du panneau arrière. Consultez l'illustration pour l'emplacement.



- A Arrière de la friteuse
- B Connexion de la chaîne du détendeur (chaîne fourni par d'autres)

- ◆ La friteuse doit être installée à l'aide d'un connecteur (non fourni par Vulcan) conforme aux codes ci-dessus.
- ◆ La friteuse doit être installée avec un dispositif de retenue pour empêcher le connecteur de subir une tension. Consultez l'illustration.
- ◆ La friteuse doit être installée avec les roulettes fournies.
- ◆ Si le dispositif de retenue doit être déconnecté, fermez d'abord l'alimentation en gaz. Si la déconnexion du dispositif de retenue est nécessaire, rebranchez ce dispositif de retenue après que la friteuse a été remise à sa position initiale.

MISE À NIVEAU DE LA FRITEUSE

Vérifiez le niveau de la friteuse en plaçant un niveau sur le dessus de la friteuse une fois que le raccordement du gaz a été fait.

Veillez à ce que la friteuse soit de niveau de l'avant à l'arrière et d'un côté à l'autre dans la position d'installation finale.

Verrouillez les roues une fois que l'appareil est de niveau.

UTILISATION

⚠ AVERTISSEMENT L'huile et les pièces chaudes peuvent causer des brûlures. Soyez prudent lors de l'utilisation, du nettoyage et de l'entretien de la friteuse.

⚠ AVERTISSEMENT Le déversement de composé de friture chaude peut causer de graves brûlures. Ne déplacez pas la friteuse sans vidanger tous les composés de friture de la cuve.

**AVERTISSEMENT**

La friteuse ne doit pas être utilisée lors d'une coupure de courant

ARRÊT EN CAS DE SURCHAUFFE

Si la graisse alimentaire devient surchauffée, un dispositif d'arrêt en cas de haute température ferme la soupape à gaz et éteint la flamme pilote.

Si la friteuse s'arrête en raison d'une surchauffe, ne rallumez pas la flamme pilote avant que la température de la graisse alimentaire soit en dessous de 300 F (149 C).

Si le problème de surchauffe persiste, contactez votre centre de service Vulcan-Hart autorisé.

AVANT LA PREMIÈRE UTILISATION

Nettoyage

Les appareils neufs sont essuyés à l'usine pour retirer tout signe visible de saleté, d'huile, de graisse, etc. restant du procédé de fabrication.

Avant toute préparation de nourriture, lavez soigneusement l'huile protectrice de la surface de toutes les pièces et l'intérieur de la cuve avec de l'eau chaude savonneuse pour retirer tout résidu du film et la poussière ou les débris.

REMARQUE

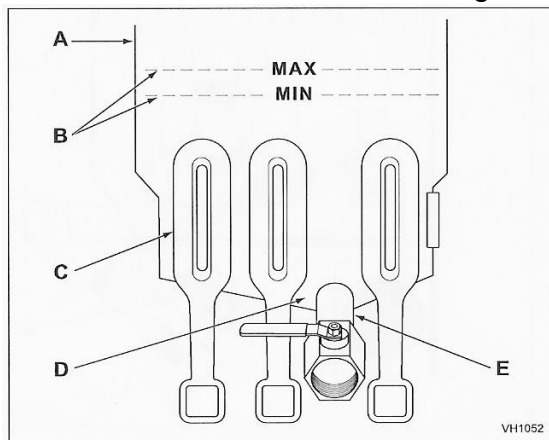
N'utilisez pas d'agent nettoyant à base de chlore ou de sulfate/sulfure.

- ◆ Lavez tous les accessoires livrés avec l'appareil.
- Rincez soigneusement la friteuse et les accessoires et vidangez la friteuse.
- ◆ Essuyez la cuve complètement avec un linge doux.

REPLISSAGE DU BASSIN DE GRAISSE ALIMENTAIRE

REMARQUE

La graisse alimentaire solide ne doit PAS être utilisée dans les friteuses GRM. Fondre la graisse alimentaire solide endommagera la cuve et annulera la garantie.

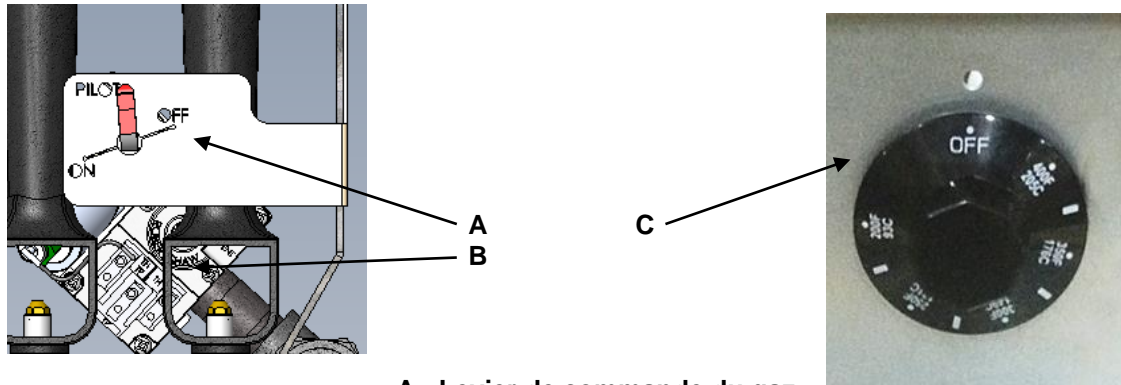


- A Cuve de la friteuse
- B Lignes de niveaux de remplissage MIN et MAX
- C Conduits de chaleur
- D Zone froide
- E Tuyau de vidange

GRMF SERIES GAS FRYERS

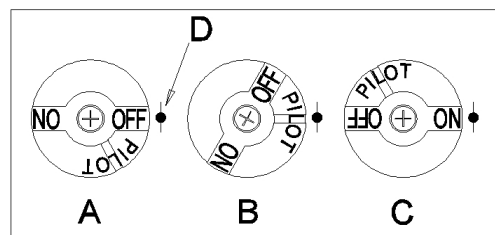
- ◆ Fermez le robinet de vidange.
- ◆ Remplissez la cuve de la friteuse de graisse alimentaire liquide.
- ◆ Le niveau de graisse doit se situer entre les lignes max et min de la cuve de la friteuse.
- ◆ La graisse prend de l'expansion lorsqu'elle est chauffée. Ne remplissez pas la cuve de la friteuse au-dessus de la ligne MAX.
- ◆ Ajoutez de la nouvelle graisse alimentaire au besoin pour maintenir le niveau d'huile.

ALLUMAGE DE LA FLAMME PILOTE



A - Levier de commande du gaz
B - Soupape à gaz
C - Thermostat

1. Ouvrez la porte.
2. Tournez le thermostat à la position d'arrêt (OFF) Le thermostat est situé derrière la porte.
3. Poussez le bouton du robinet de commande du gaz et tournez-la à la position OFF (voir la figure ci-dessous, vue A). Attendez 5 minutes pour que le gaz imbrûlé s'évacue.
4. Poussez et tournez le bouton du robinet de commande du gaz vis-à-vis du "L" de PILOT (voir la figure ci-dessous, vue B).
5. Tout en maintenant le bouton enfoncé, allumez la flamme pilote avec une flamme nue. Continuez à appuyer sur le bouton jusqu'à ce que la flamme pilote reste allumée lors que le bouton est relâché. Si la flamme pilote ne reste pas allumée, répétez les étapes 3 à 5.
6. Enfoncez le bouton de commande du gaz et tournez-le à la position de marche (ON) (voir la figure ci-dessous, vue C).
7. Si l'alimentation en gaz est interrompue, répétez les étapes 2 à 6.



A Gas Valve Knob, View A
B Gas Valve Knob, View B
C Gas Valve Knob, View C
D Indicator Point, All Views

ALLUMAGE DE LA FRITEUSE

- ◆ Réglez le bouton de température à la température désirée.
- ◆ Après que la température réglée est atteinte, le thermostat arrête le débit de gaz aux brûleurs.
- ◆ La flamme pilote allumée. Les brûleurs effectuent alors des cycles de marche-arrêt, afin de maintenir la température réglée.

ARRÊT DE LA FRITEUSE

4. Tournez le thermostat à la position OFF.
5. Pour garder la flamme pilote allumée, tournez la soupape à gaz à la position "L" de PILOT.
6. Pour fermer toute arrivée de gaz au système, y compris la flamme pilote, tournez le bouton de la soupape à gaz à la position d'arrêt (OFF).

ARRÊT PROLONGÉ

1. Tournez le bouton du thermostat à la position OFF.
2. Poussez sur le bouton de la veilleuse et tournez-le à la position OFF.
3. Vidangez complètement la friteuse. Consultez VIDANGE DE LA FRITEUSE.
4. Nettoyez la friteuse tel qu'indiqué dans la section NETTOYAGE.
5. Fermez le robinet d'arrêt de gaz principal.

INSTRUCTIONS DE FRITURE DE BASE

- ◆ Réglez la température souhaitée et laissez chauffer la graisse alimentaire à cette température.
- ◆ Faites frire des éléments qui sont de la même taille afin d'assurer une cuisson égale.
- ◆ Égouttez ou essuyez les aliments crus ou humides pour minimiser les éclaboussures lorsque les aliments sont abaissés dans la graisse chaude.
- ◆ Ajoutez de la nouvelle graisse alimentaire au besoin.

Directives d'utilisation du panier à friture

- ◆ Ne remplissez pas trop les paniers. (Voir le tableau ci-dessous au sujet des capacités recommandées pour les paniers). Déposez soigneusement le panier dans l'huile.

- ◆ Lors de la friture de beignes et de beignets, retournez le produit une seule fois pendant la cuisson.
- ◆ Lors de la cuisson de frites ou de rondelles d'oignons, secouez le panier plusieurs fois.
- ◆ Les aliments enrobés de pâte devraient être déposés avec précaution, un par un, dans l'huile ou le panier. Si vous utilisez le panier, trempez d'abord le panier dans l'huile pour réduire l'accumulation de pâte sur les surfaces du panier.
- ◆ Lorsque la friture est terminée, retirez le panier ou le produit. Accrochez le panier au support arrière.

Capacité du panier à friture :

1GR35M : Nombre de livres recommandées par panier - 1,5 lb. (0,7 kg).

1GR45M : Nombre de livres recommandées par panier - 2,5 lb (1,1 kg).

1GR65M : Nombre de livres recommandées par panier - 3 lb (1,4 kg).

1GR85M : Nombre de livres recommandées par panier - 3,5 lb (1,6 kg).

PROLONGATION DE LA DURÉE DE VIE DE LA GRAISSE ALIMENTAIRE

La durée de vie de la graisse alimentaire peut être prolongée en respectant les directrices suivantes :

- ◆ Ne pas saler les aliments au-dessus de la friteuse.
- ◆ Utiliser une bonne qualité de graisse alimentaire.
- ◆ Filtrer la graisse alimentaire quotidiennement (au minimum).
- ◆ Remplacer la graisse alimentaire si son odeur devient mauvaise.
- ◆ Maintenir la propreté de l'appareil et de son environnement. Placer les couvercles sur les cuves lorsqu'elles ne sont pas utilisées. (Accessoire).
- ◆ Régler le thermostat correctement.
- ◆ Retirer l'excès d'humidité et les particules des produits alimentaires avant de mettre dans la friteuse.
- ◆ Utiliser un couvercle de cuve ajusté (accessoire) pour garder l'huile à l'abri de la lumière et de l'oxygène.

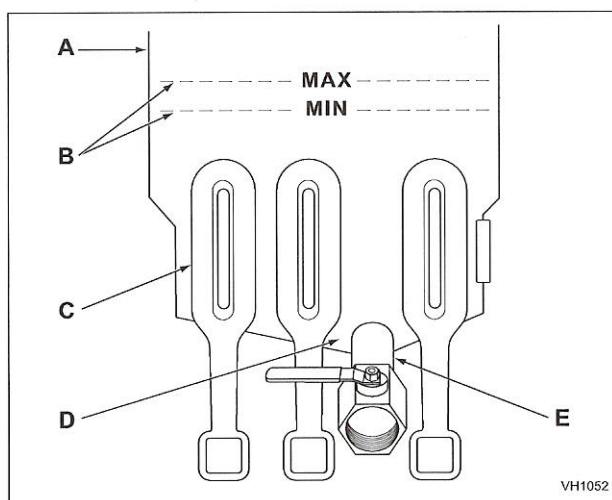
VIDANGE DE L'HUILE - Friteuses sur pieds uniquement



AVERTISSEMENT L'huile chaude et les pièces chaudes peuvent causer des brûlures. Soyez prudent lors de l'utilisation, du nettoyage et de l'entretien de la friteuse.

1. Tournez le bouton du thermostat à la position d'arrêt (OFF) .
2. Insérez la rallonge de vidange dans le robinet de vidange. Serrez à la main uniquement.

3. Posez la rallonge de vidange dans le dispositif mobile de filtrage que vous souhaitez utiliser.
4. Ouvrez lentement le robinet de vidange et laissez l'huile s'écouler de la cuve de friture dans le porte-filtre. Puis ouvrez le robinet de vidange au complet.
5. Lorsque la cuve de friture est vide, utilisez la brosse à cuve pour enlever les débris restants.
6. Fermez le robinet de vidange.
7. Remplissez la cuve de nouvelle graisse alimentaire. Remplissez au moins jusqu'au niveau MIN, mais pas plus qu'à mi-chemin entre MIN et MAX. L'huile augmente de volume lorsqu'elle est chauffée.
8. Lorsque la cuve de friture est remplie d'huile neuve, tournez le bouton du thermostat à la température souhaitée. Les brûleurs s'allumeront et chaufferont l'huile.



- A Cuve de la friteuse
- B Lignes de niveaux de remplissage MIN et MAX
- C Conduits de chaleur
- D Zone froide
- E Tuyau de vidange

NETTOYAGE



AVERTISSEMENT L'huile chaude et les pièces chaudes peuvent causer des brûlures. Soyez prudent lors de l'utilisation, du nettoyage et de l'entretien de la friteuse.

Chaque jour

Nettoyez votre friteuse régulièrement avec la brosse à cuve ainsi qu'avec un chiffon humide, et polissez avec un chiffon sec et doux. Si le nettoyage régulier est négligé, la graisse brûlée s'incrusterait et une décoloration peut apparaître.

Les empreintes digitales sont parfois un problème sur les surfaces très polies en acier inoxydable. Elles peuvent être minimisées en appliquant un nettoyant qui laissera un mince film huileux ou cireux.

- ◆ Nettoyez toutes les surfaces extérieures de la friteuse au moins une fois par jour.
- ◆ Utilisez un chiffon humidifié avec de l'eau tiède et un savon ou un détergent doux.

REMARQUE

N'utilisez pas d'agent nettoyant à base de chlore ou de sulfate/sulfure.

- ◆ Rincez en profondeur, puis polissez avec un linge doux.
- ◆ Gardez l'extérieur de la friteuse propre et exempt d'accumulation de graisse pour éviter la formation de taches tenaces. Si le nettoyage régulier est négligé, la graisse brûlée s'incrusterait et une décoloration peut apparaître.
- ◆ Enlevez toute décoloration par un lavage avec de l'eau et du détergent ou du savon.
- ◆ Utilisez un tampon à récurer automoussant non métallique pour les décolorations particulièrement tenaces.
- ◆ Frottez toujours dans le sens du grain de l'acier inoxydable.
- ◆ N'utilisez pas de tampon à récurer métallique ou des nettoyants abrasifs.

PROCÉDURE D'ÉBOUILLANTAGE

Chaque semaine ou au besoin :

11. Vidangez la cuve tel que décrit sous VIDANGE DE LA CUVE.
12. Une fois que la graisse alimentaire a été vidangée, rincez les restes et les sédiments en utilisant la brosse à cuve fournie.
13. Fermez le robinet de vidange et remplissez la cuve d'eau. Utilisez un nettoyant/dégraissant peu moussant pour nettoyer la cuve de friture. Suivez les instructions figurant sur le côté de l'emballage.

REMARQUE

N'utilisez pas d'agent nettoyant à base de chlore ou de sulfate/sulfure.

14. Le niveau de la solution doit se situer entre les lignes MIN et MAX de la cuve de la friteuse.
15. Réglez le bouton de température à 200 °F ou à la température recommandée pour la solution utilisée. Laissez la solution mijoter pendant environ 15 à 20 minutes.
16. Vidangez la solution de nettoyage de la cuve.

GRMF SERIES GAS FRYERS

17. Fermez le robinet de vidange et remplissez la cuve d'eau. Ajoutez 1 tasse (1/4 L) de vinaigre pour neutraliser tout alcali laissé par le nettoyant. Le niveau de la solution doit se situer entre les lignes MIN et MAX de la cuve de la friteuse.
18. Portez la solution à douce ébullition seulement, fermez le thermostat. Laissez reposer pendant quelques minutes.
19. Vidangez la cuve tel que décrit sous VIDANGE DE LA CUVE. Rincez à fond à l'eau claire et chaude. Toute trace de nettoyant doit être enlevée. Séchez soigneusement la cuve.
20. Fermez le robinet de vidange et ajoutez la graisse alimentaire. Suivez la procédure de REMPLISSAGE DE LA CUVE DE GRAISSE ALIMENTAIRE de ce manuel. La friteuse est maintenant prête à l'emploi.

Système de filtration KleenScreen *PLUS* ®
Guide d'installation et d'utilisation
Pour les modèles GRMF

2GR45MF	ML-136417
2GR65MF	ML-136418
2GR85MF	ML-136419
3GR45MF	ML-136420
3GR65MF	ML-136421
3GR85MF	ML-136422
4GR45MF	ML-136423

Instructions de filtrage pour les friteuses KleenScreen *PLUS* ®

Généralités

Le système de filtration KleenScreen *PLUS*® filtre l'huile lorsqu'elle est réacheminée dans sa cuve respective. Une seule cuve peut être vidangée et filtrée à la fois. Il ne faut en aucun cas vidanger les deux cuves en même temps.

Montage

5. Après le déballage, lavez le porte-filtre, la crépine-panier et l'ensemble écran-filtre. Assurez-vous de retirer la cartouche filtrante située à l'intérieur de l'écran-filtre. Utilisez un détergent pour lave-vaisselle et de l'eau chaude (les pièces sont lavables au lave-vaisselle). Rincez complètement le porte-filtre, la crépine-panier et les composants de l'écran-filtre et essuyez toutes les pièces avec un chiffon propre.
6. Tirez le tiroir à filtre au complet tout en laissant le porte-filtre exposé.
7. Placez le réservoir du filtre dans le tiroir à filtre en veillant à ce que les broches situées au bas du porte-filtre soient bien alignées avec les trous situés dans le tiroir à filtre. Positionnez l'ensemble écran-filtre dans le collier du tube d'aspiration dans le porte-filtre en positionnant l'ensemble écran-filtre à plat au fond du porte-filtre. Placez la crépine-panier primaire sur la poignée gauche du porte-filtre.
8. Alignez avec soin la buse du tube d'aspiration pour l'accoupler avec le bloc-prise d'huile fixé au châssis de la batterie de friteuses. Fermez le tiroir. Voir les Figures 1, 2, 3 et 4.

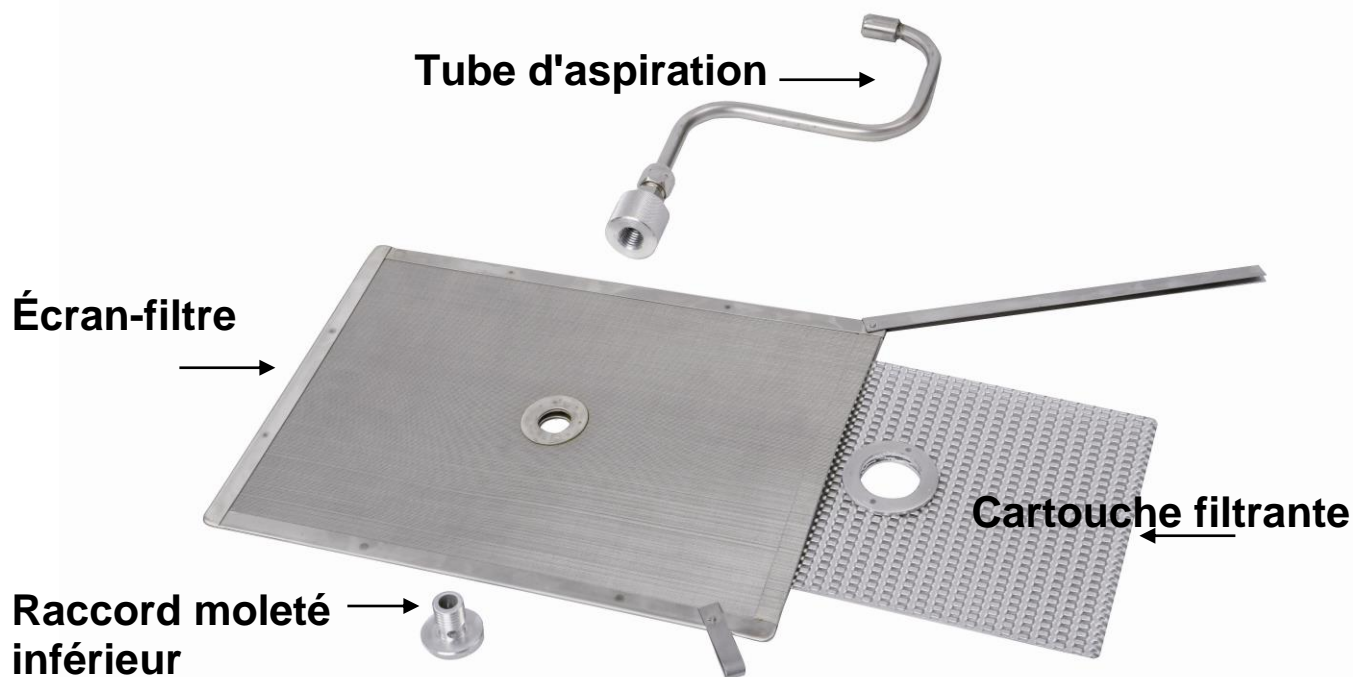


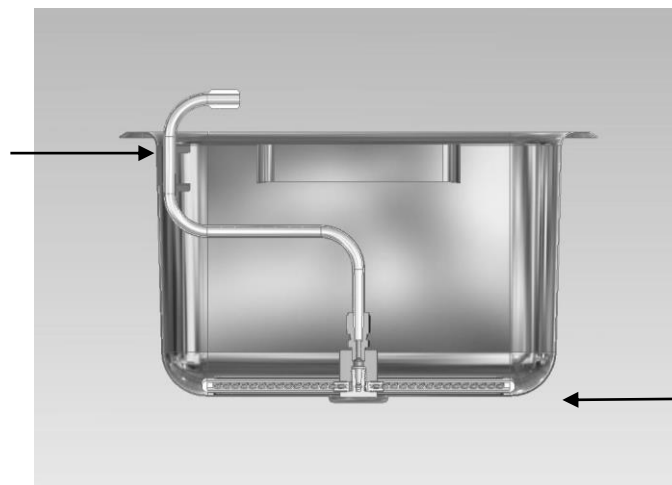
Fig. 1

Ensemble écran-filtre entièrement assemblé :



Fig. 2

Fixer le tube avec Collier de tube d'aspiration



L'écran-filtre est à plat sur le bas du porte-filtre

Fig. 3

Complice d'assemblage de l'enveloppe du microfiltre en tissus :

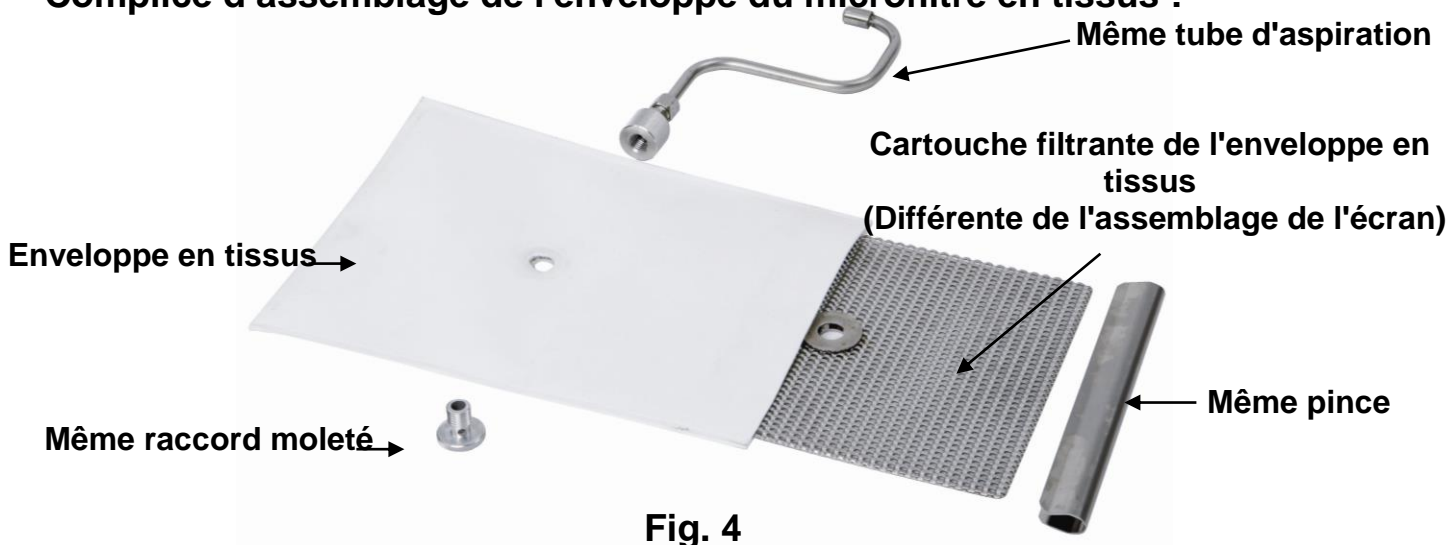
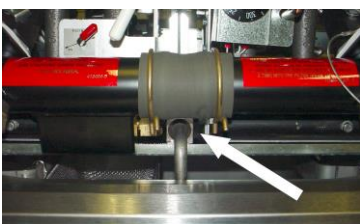


Fig. 4

INSTRUCTIONS POUR ENLEVER ET REMPLACER COMPLICE D'ENVELOPPE DE FILTRE KLEENSCREEN PLUS®

POUR UNE FILTRATION ABSOLUE ET UN DÉBIT MAXIMUM, NOUS VOUS RECOMMANDONS DE CHANGER LES ENVELOPPES DE FILTRE À CHAQUE VIDANGE D'HUILE (10 À 14 JOURS SELON DE L'HUILE).



Étape 1

Jetez toute l'huile du réservoir de filtre, (voir pages 23 et 24). Lorsque le porte-filtre est vide, utilisez une spatule et grattez tous les débris laissés sur l'enveloppe du filtre et dans le porte-filtre.

Étape 2

Dévissez le tube de filtre en "S" en tournant le raccord moleté inférieur dans le sens contraire des aiguilles d'une montre.

Étape 3

Enlevez la pince de fermeture en soulevant un côté.

Étape 4

Enlevez la cartouche filtrante de l'écran-filtre et lavez-le à l'eau chaude, puis asséchez-le complètement. La cartouche filtrante de l'écran-filtre est lavable au lave-vaisselle. Placez la cartouche filtrante de l'écran-filtre dans une nouvelle enveloppe de filtre KleenScreen PLUS®.

NE PAS LAVER L'ENVELOPPE EN TISSU

Étape 5

Placez la cartouche filtrante de l'écran-filtre dans l'enveloppe en tissu en veillant à aligner les trous. Repliez l'autre extrémité de l'enveloppe et placez la pince de fermeture par-dessus - placez la charnière et appuyez fermement tout le long jusqu'au bas pour bien fixer et scellez l'assemblage du filtre. En veillant à ce que l'extrémité pliée soit face vers le bas, vissez la vis de l'assemblage du tube en "S" à l'ensemble du filtre. Serrez le raccord moleté inférieur. Une fois serré, l'assemblage du tube en "S" doit être perpendiculaire au côté long de l'ensemble du filtre.

Étape 6

Repositionnez le tube de filtre dans le collier fourni. Alignez le tube de filtre afin que la fin du "S" du tube s'engage dans le raccord du récipient d'huile chaque fois que le tiroir est ouvert et fermé.

Utilisation

AVERTISSEMENT L'huile et les pièces chaudes peuvent causer des brûlures. Soyez prudent lors de l'utilisation, du nettoyage et de l'entretien de la friteuse.

AVERTISSEMENT Le déversement de composé de friture chaude peut causer de graves brûlures. Ne déplacez pas la friteuse sans vidanger tous les composés de friture de la cuve.

REMARQUE Ne jamais faire couler de l'eau ou une solution d'ébullantage à travers le filtre et la pompe-moteur. Vous annuleriez la garantie de la friteuse.

REMARQUE La graisse alimentaire solide ne doit PAS être utilisée dans les friteuses GRM. Fondre la graisse alimentaire solide endommagera la cuve et annulera la garantie.

REMARQUE Filtrerez UNE SEULE cuve de friture à la fois.

PROCÉDURE DE FILTRAGE LORSQUE VOUS UTILISEZ UNE GRAISSE ALIMENTAIRE LIQUIDE :

La température de l'huile doit être de 300 à 350 °F. Utilisez la pelle ramasse-miettes fournie pour enlever et suspendre les miettes du fond de la cuve avant de passer à l'étape 1.

18. Tournez le bouton de température de la friteuse à la position d'arrêt (**OFF**).

REMARQUE Ne **PAS** chauffer la friteuse pendant la procédure de filtrage. La cuve de friture pourrait subir des dommages permanents et la garantie pourrait être annulée.

19. Vulcan recommande l'ajout d'un médium de traitement d'huile à l'huile avant le filtrage.

20. Tournez le levier de la soupape à gaz à la position PILOT, tel qu'illustré dans la figure 5A.

21. Appuyez sur l'interrupteur du filtre pour le mettre à la position de marche (ON), figure 5B.

Assurez-vous que le tiroir du filtre est complètement fermé et que le tube d'aspiration et le bloc-prise sont à la position appropriée. Figure 5C.

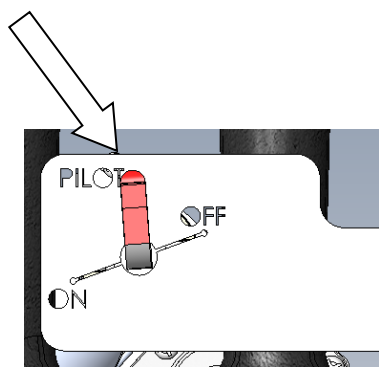


Fig 5a



Fig. 5b

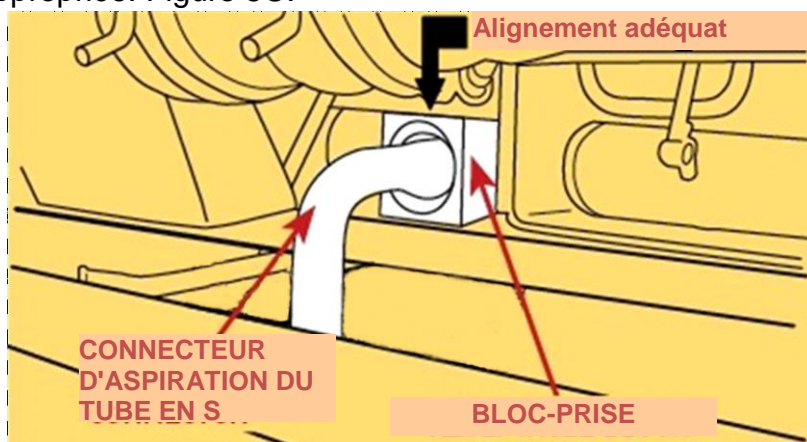


Fig. 5c



Fig. 6

22. Vidangez l'huile de la cuve de friture en tournant la poignée du robinet de vidange. Le porte-filtre commencera à se remplir d'huile. Une fois que la cuve est vidée, tirez vers vous la poignée rouge marquée FILTER. Voir la figure 6. La pompe-moteur se met en marche et l'huile coule dans la cuve de friture. L'huile arrive à l'arrière de la cuve et coule vers l'avant, puis revient dans le fond du porte-filtre.

23. Après une minute, fermez le robinet de vidange pour arrêter le débit d'huile dans le porte-filtre. La cuve de friture commencera à se remplir. Il est normal de voir des bulles d'air dans la cuve lorsque le porte-filtre est vidé. Le son de la pompe-moteur change lorsque le porte-filtre est vide, ce qui est normal. Poussez la poignée rouge marquée FILTER pour arrêter la pompe-moteur.

24. Appuyez sur l'interrupteur du filtre pour le mettre à la position d'arrêt (OFF). Tournez le levier de gaz à la position de marche (ON). Fig. 5a.

25. Le niveau d'huile est approprié lorsqu'il se trouve entre les lignes Min et Max de la cuve de friture. Ajoutez de l'huile neuve si nécessaire.

26. Tournez le bouton du thermostat à la température souhaitée. Les brûleurs devraient s'allumer et l'huile devrait commencer à chauffer.

27. Répétez cette procédure pour l'autre cuve ou les autres cuves de la batterie.

28. Lorsque vous avez terminé le filtrage et que l'ensemble filtre a refroidi à la température ambiante, nettoyez tous les composants du filtre tel que décrit à l'étape 1 de la section Montage à la page 17.

CONSEIL POUR LE FILTRAGE :

Ouvrez le tiroir de filtrage d'environ 1 po pour permettre à toute l'huile dans la conduite de retour de s'écouler dans le porte-filtre. Cet écoulement prendra environ 30 secondes. Puis ouvrez complètement le tiroir pour nettoyer les composants du filtre.

RETRAIT DE L'EXCÉDENT DE DÉBRIS DU FILTRE :

5. Retirez le tiroir du filtre, retirez la crépine-panier et jetez tout débris à la poubelle.

6. Retirez l'ensemble écran-filtre. Grattez les débris de l'écran-filtre. Ensuite, enlevez la cartouche filtrante en déverrouillant le loquet. Nettoyez soigneusement toutes les pièces tel qu'indiqué dans la section Montage de la page 17.

7. Grattez les débris de la partie inférieure du porte-filtre et jetez-les à la poubelle. Nettoyez soigneusement toutes les pièces tel qu'indiqué dans la section Montage de la page 17. Nettoyez soigneusement toutes les pièces tel qu'indiqué dans la section Montage de la page 17.

8. Remontez tous les composants du filtre après les avoir soigneusement séchés comme indiqué dans la section Montage de la page 17.

ÉLIMINATION/RINÇAGE DE L'HUILE :

11. Suivez les instructions de filtrage 1 à 4, toutefois, ne mettez pas de médium de traitement d'huile dans la friteuse si vous jetez l'huile. Ajoutez un traitement d'huile si vous rincez la cuve. Vidangez l'huile de la friteuse dans le porte-filtre.
12. Fixez l'extrémité femelle du tuyau flexible au raccord rapide mâle.
13. Pour JETER l'huile, placez l'extrémité buse du tuyau souple dans un récipient suffisamment grand pour contenir la graisse alimentaire éliminée.

14. Pour commencer l'élimination, tirez le levier jaune DISCARD vers l'avant et la pompe-moteur commencera à fonctionner. REMARQUE : L'huile sortira immédiatement de l'extrémité buse du tuyau souple. Voir la figure 7.



Fig. 7

15. Une fois que l'huile a été complètement éliminée et que le porte-filtre est vide, poussez le levier DISCARD vers l'arrière. La pompe-moteur s'arrête. Appuyez sur l'interrupteur du filtre pour le mettre à la position d'arrêt (OFF).
16. Fermez le robinet de vidange et enlevez le tuyau souple. La connexion du tuyau sera chaude en raison de la température de l'huile qui a été éliminée. Veillez à laisser le tuyau se vider avant de le ranger.
17. Remplissez la cuve d'huile neuve jusqu'à la ligne MIN marquée sur la cuve.
18. Pour RINCER la cuve avec de l'huile filtrée afin de supprimer les particules qui se sont accumulées, répétez les étapes 1 à 4. Maintenez l'extrémité buse du tuyau souple au-dessus de la cuve de friture. REMARQUE : L'huile sortira immédiatement de la buse du tuyau souple lorsque vous tirerez le levier jaune DISCARD vers vous.
19. Lorsque la cuve est complètement rincée, repoussez le levier jaune DISCARD vers l'arrière et la pompe-moteur s'arrêtera. Vidangez le tuyau souple de l'huile restante. Répétez l'étape 6.
20. Tirez le levier rouge FILTER vers vous. Voir la figure 6. La pompe-moteur se met en marche et l'huile s'écoule dans la cuve de friture. L'huile arrive à l'arrière de la cuve et coule vers l'avant, pour remplir la cuve de friture.
29. Il est normal de voir des bulles d'air dans la cuve lorsque le porte-filtre est vidé. Le son de la pompe-moteur change lorsque le porte-filtre est vide, ce qui est normal. Poussez la poignée rouge marquée FILTER pour arrêter la pompe-moteur.
30. Appuyez sur l'interrupteur du filtre pour le mettre à la position d'arrêt (OFF). Tournez le levier de gaz à la position de marche (ON). Fig. 5a.
31. Le niveau d'huile est approprié lorsqu'il se trouve entre les lignes Min et Max de la cuve de friture. Ajoutez de l'huile neuve si nécessaire.

32. Tournez le bouton du thermostat à la température souhaitée. Les brûleurs devraient s'allumer et l'huile devrait commencer à chauffer.
33. Répétez cette procédure pour l'autre cuve ou les autres cuves de la batterie.
34. Lorsque vous avez terminé le filtrage et que l'ensemble filtre a refroidi à la température ambiante, nettoyez tous les composants du filtre tel que décrit à l'étape 1 de la section Montage à la page 17.

PROCÉDURE D'ÉBOUILLANTAGE

Utilisez la rallonge de tube de vidange Boil Out By-Pass™ qui permet de vidanger la solution dégraissante de la cuve de friture sans utiliser le système de filtrage. Ne laissez PAS l'eau s'écouler à travers la pompe-moteur. Vidangez la solution d'ébouillantage dans un seau ou utilisez un tuyau souple haute température à l'extrémité de la rallonge de vidange pour permettre l'écoulement dans un siphon de sol. Dans la Fig. 8, la flèche est orientée vers la rallonge de vidange. Elle est vissée dans la partie supérieure de l'accouplement du tube de vidange de l'huile. La rallonge de vidange doit être serrée à la main uniquement.

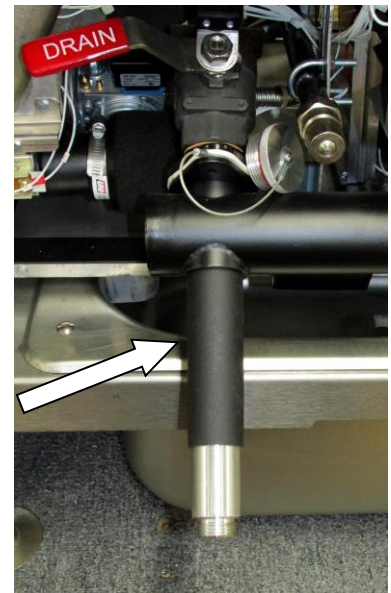


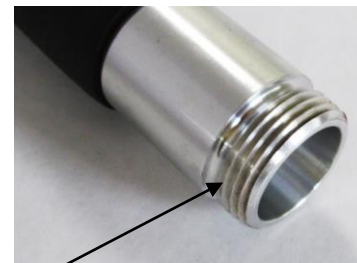
Fig. 8



Tube de rallonge Boil Out By-Pass™



Extrémité standard du tuyau souple (filetage plus petit)
(filetage plus grand)



Extrémité du tube de vidange

BOUTON DE LA PROTECTION CONTRE LES SURCHARGES THERMIQUES :

La pompe-moteur fournie avec le système de filtrage dispose d'un circuit de protection contre les surcharges thermiques qui détecte tout excès de chaleur dû à un filtrage de longue durée ou à une forte charge avant l'élimination des débris accumulés. Si la protection contre les surcharges thermiques est déclenchée, attendez 5 minutes, puis réinitialisez le moteur en appuyant sur le bouton rouge. La flèche dans la Figure 9 indique l'emplacement du bouton de réinitialisation, situé à l'avant de la pompe-moteur orientée vers vous.

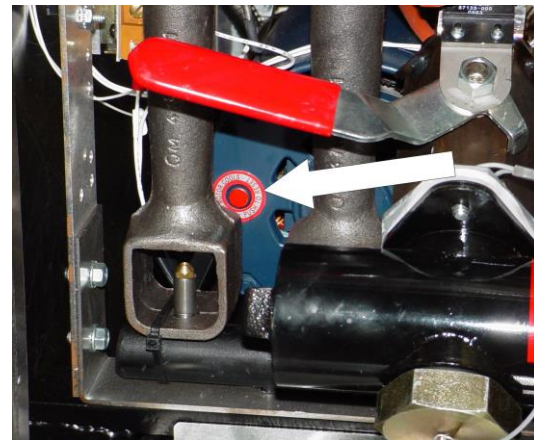


Fig. 9

ENTRETIEN

⚠ AVERTISSEMENT

L'huile chaude et les pièces chaudes peuvent causer des brûlures. Soyez prudent lors de l'utilisation, du nettoyage et de l'entretien de la friteuse.

⚠ AVERTISSEMENT

Le déversement de composé de friture chaude peut causer de graves brûlures. Ne déplacez pas la friteuse sans vidanger tous les composés de friture de la cuve.

INSPECTION DU CONDUIT DE FUMÉE

Inspectez une fois l'an, lorsque la friteuse est froide. Vérifiez le conduit de fumée et éliminez toute obstruction.

Service aux États-Unis et au Canada

Consultez www.vulcanequipment.com pour trouver le bureau de service le plus près.

Tableau de dépannage :	
Problème :	Cause probable :
Pas de chaleur :	<p>Le cadran du thermostat n'est pas allumé. La flamme pilote n'est pas allumée. L'alimentation en gaz n'est pas ouverte. Connexions de fils lâches (appelez un technicien) Les connexions de fils ont besoin d'être nettoyées (appelez un technicien) Thermopile (appelez un technicien)</p>
Chaleur insuffisante ou trop élevée :	<p>Le cadran du thermostat n'est pas réglé à la température souhaitée. Dispositif de commande à maximum déclenché (appelez un technicien) Sonde de température (appelez un technicien)</p>
La cuve ne se vide pas :	<p>Graisse trop froide. Tuyau de vidange obstrué par des débris.</p>
La pompe-moteur ne pompe pas l'huile :	<p>Le tube d'aspiration n'est pas correctement en place dans le bloc-prise. L'écran-filtre est encrassé et doit être nettoyé. La graisse alimentaire est trop épaisse/froide. Chauffez l'huile jusqu'à au moins 300 °F. Le levier de la soupape de vidange n'est pas complètement engagé pour le filtrage ou la vidange La protection thermique contre les surcharges est déclenchée.</p>