

SCHEMATIC DIAGRAMS

Electronic Ignition, Solid State or Computer Control

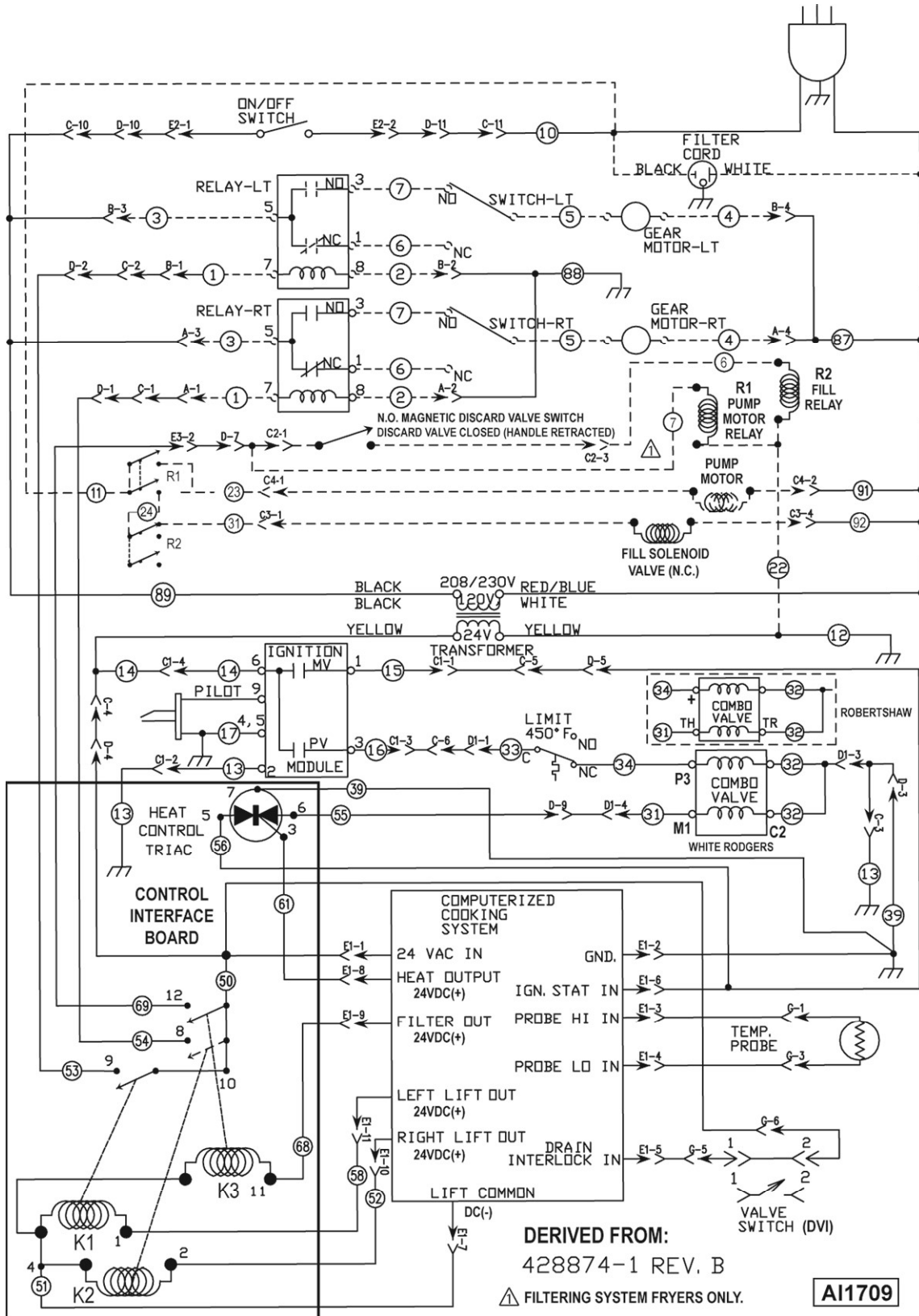
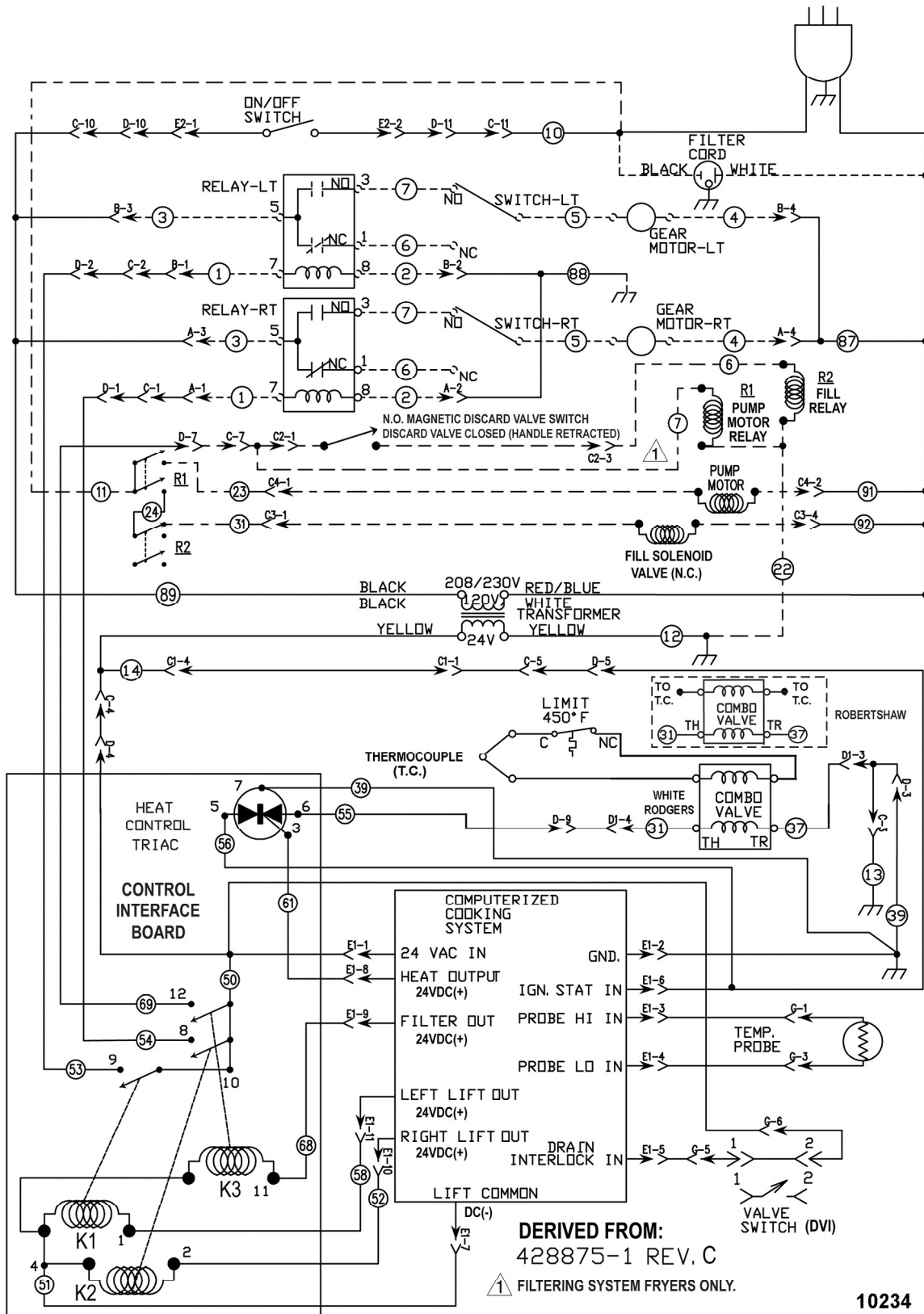


Fig. 60

Manual Ignition, Solid State or Computer Control

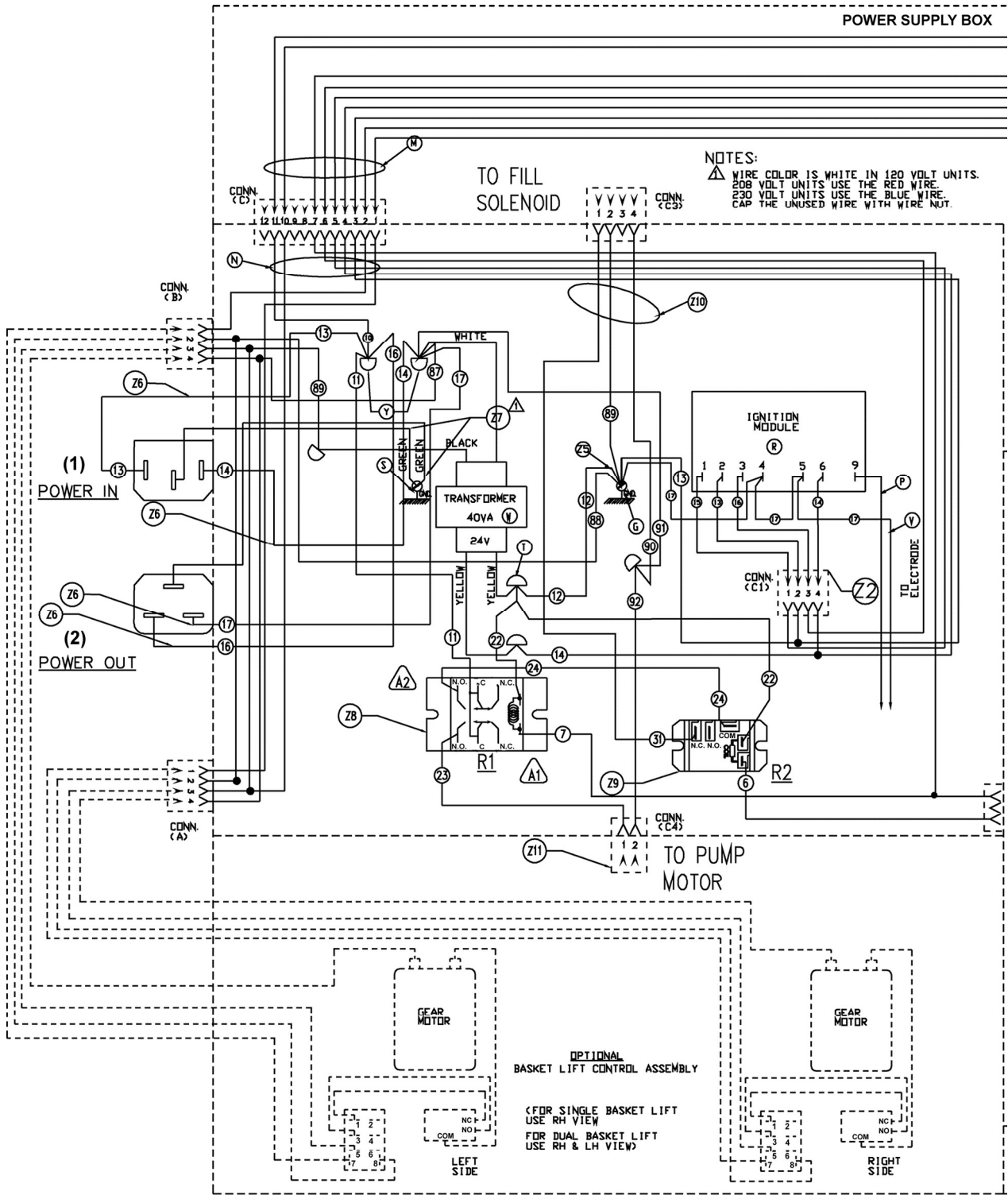


10234

Fig. 61

WIRING DIAGRAMS

Electronic Ignition, Solid State or Computer Control



(1) FRYER POWER SUPPLY CORD CONNECTED TO THE BUILDINGS POWER SOURCE OR A JUMPER CORD IF POWER CONNECTION IS FROM OTHER FRYER SECTIONS.

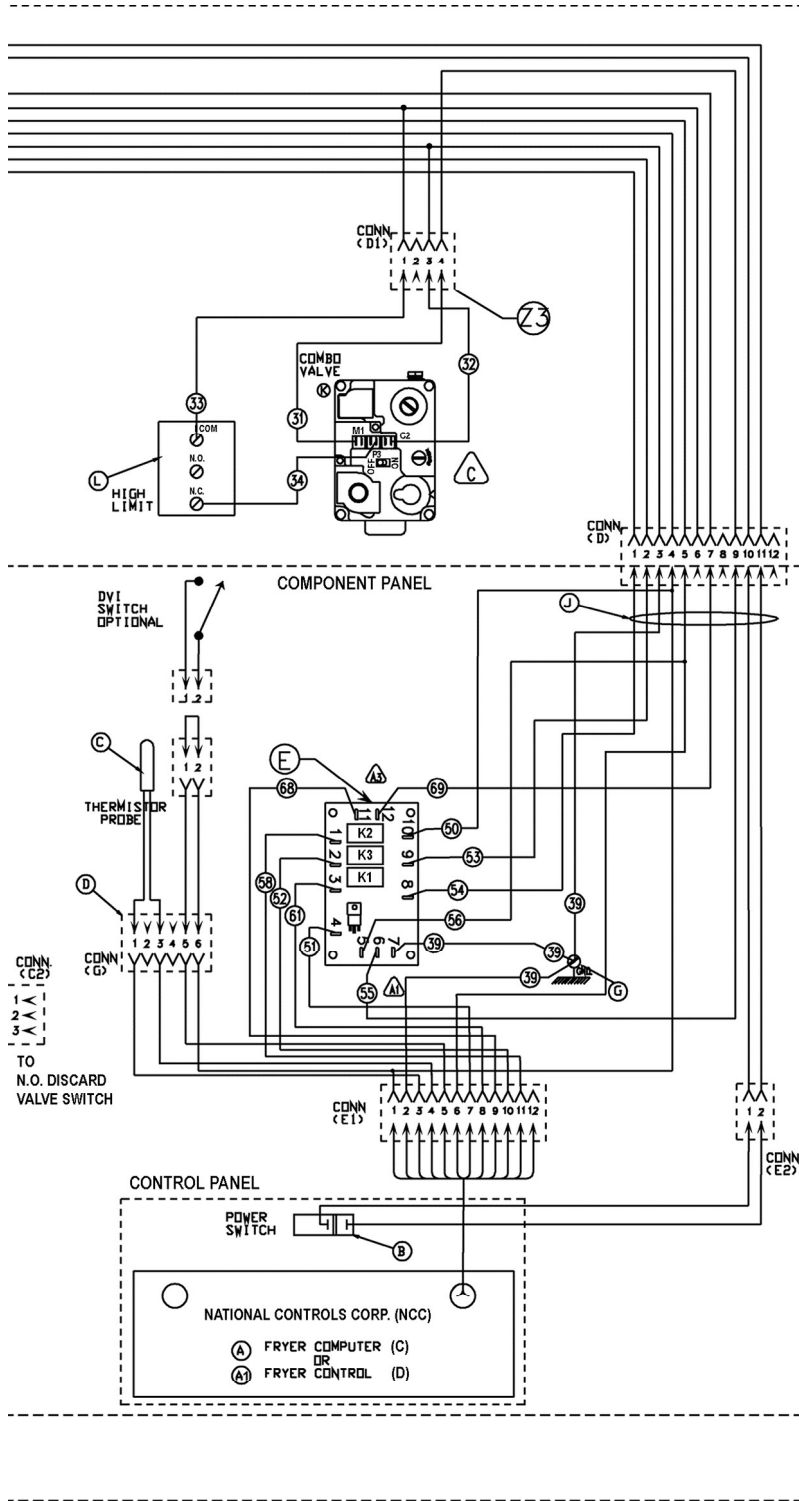
(2) JUMPER CORD POWER TO THE OTHER FRYER SECTIONS.

PAGE 1 OF 2
(SEE 10206)

10205

Fig. 62

Electronic Ignition, Solid State or Computer Control (cont'd)



1	1	Z11	HARNES, MOTOR CONNECT	-
1	1	Z10	HARNES, SOLENOID CONNECT	-
1	1	Z9	RELAY SPST 24 VAC COIL	-
1	1	Z8	RELAY 24 VAC COIL	CONT. RATING 1HP 120 VOLT
2	2	Z7	WIRE ASSEMBLY (GREEN)	-
4	4	Z6	WIRE ASSEMBLY [13,14,16,17]	-
1	1	Z5	WIRE ASSEMBLY [12]	-
1	1	Z3	MANIFOLD HARNES	-
1	1	Z2	HARNES-IGNITION MODULE	-
1	1	Z1	OPTIONAL FILTER SUPPLY CORD	-
2	2	Y	WIRE NUT YELLOW	-
1	1	W	24V 40VA TRANSFORMER	120 VOLT 240 VOLT
1	1	V	LEAD ASSEMBLY [17]	-
3	3	T	WIRE NUT	-
1	1	S	GROUND LUG	-
1	1	R	IGNITION MODULE	-
1	1	P	IGNITOR CABLE	-
1	1	N	POWER HARNES	-
1	1	M	MAIN HARNES	-
1	1	L	HI-LIMIT	-
1	1	K	COMBO VALVE W. R.	NAT LP
1	1	J	INTERFACE HARNES	-
1	2	G	TERMINAL, STATIONARY	-
1	1	E	CONTROL INTERFACE TRIDELTA	-
1	1	D	D.V.I. HARNES ASSEMBLY	-
1	1	C	THERMISTOR	-
1	1	B	ROCKER SWITCH ASSEMBLY	-
1	-	A1	NCC CONTROLLER W/TIMER(S)	W/FILTER WO/FILTER
-	1	A	NCC COMPUTER	W/FILTER WO/FILTER
req.	REQ.	IT.	DESCRIPTION	FIN.

SEE SCHEMATIC DECAL 428874-1

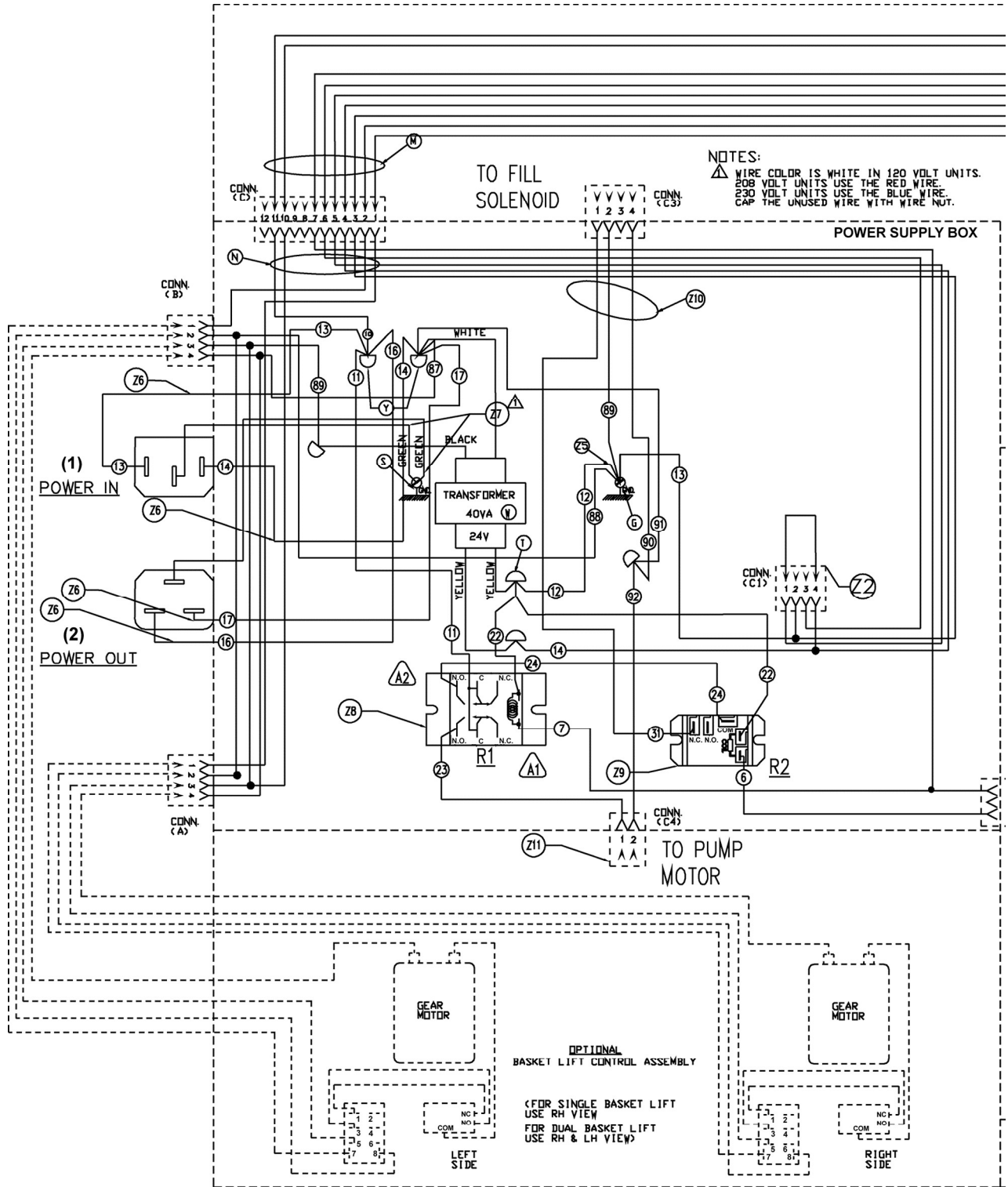
PAGE 2 OF 2
(SEE 10205)

10206

D MODELS	C MODELS	req.	REQ.	IT.	DESCRIPTION	FIN.
WIRING INFORMATION FOR UNITS LISTED						
WIRING DIAGRAM W & WO/SOLENOID, FILL						
CCS FRYERS W/E.I. W & WO/LIFTS						
DERIVED FROM:						SCALE NONE
D 428863-1						REV. D

Fig. 63

Manual Ignition, Solid State or Computer Control



(1) FRYER POWER SUPPLY CORD CONNECTED TO THE BUILDINGS POWER SOURCE OR A JUMPER CORD IF POWER CONNECTION IS FROM OTHER FRYER SECTIONS.

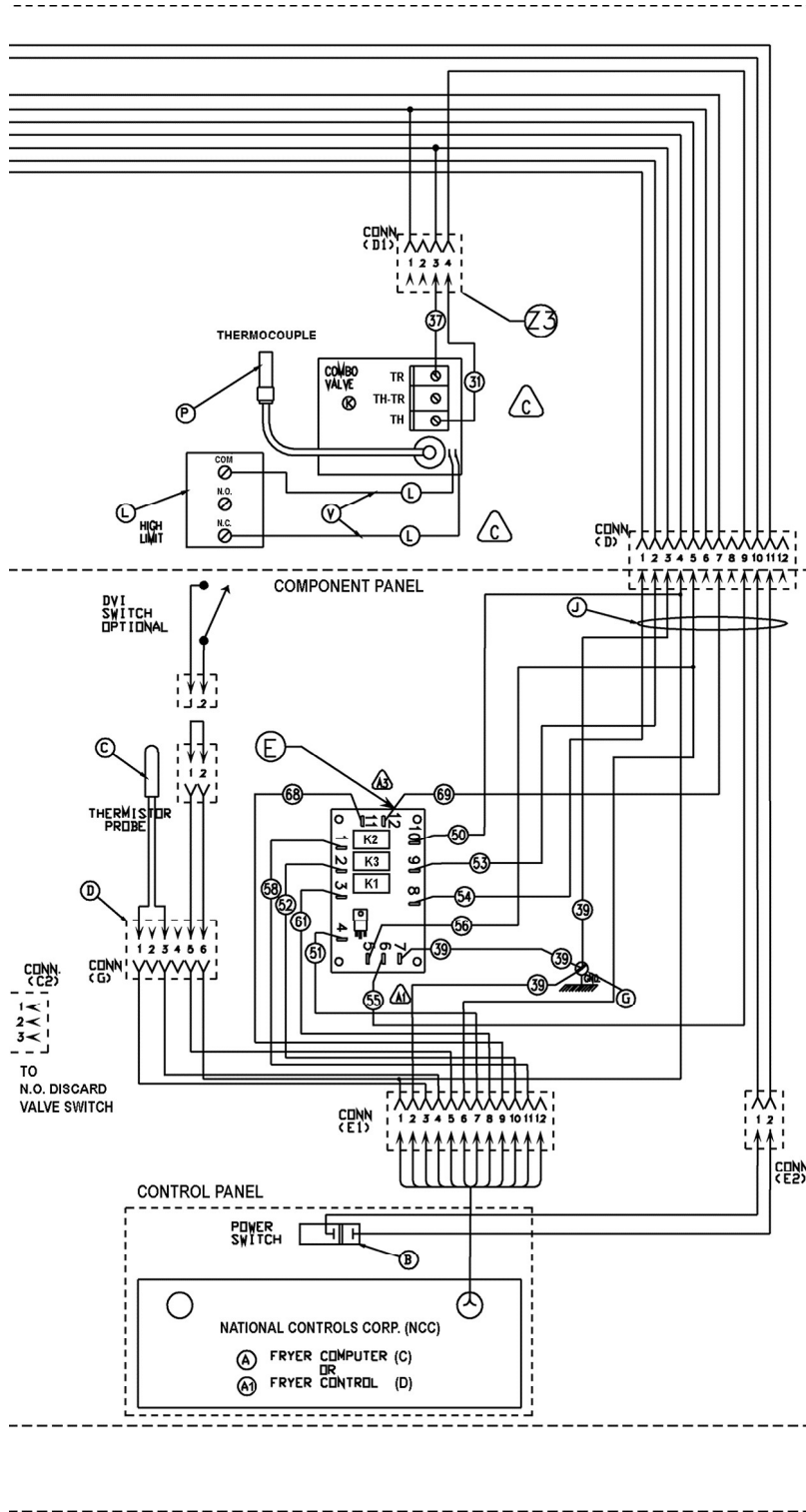
(2) JUMPER CORD POWER TO THE OTHER FRYER SECTIONS.

PAGE 1 OF 2
(SEE 10208)

10207

Fig. 64

Manual Ignition, Solid State or Computer Control (cont'd)



1	1	Z11	HARNESS, MOTOR CONNECT	-
1	1	Z10	HARNESS, SOLENOID CONNECT	-
1	1	Z9	RELAY SPST 24 VAC COIL	-
1	1	Z8	RELAY 24 VAC COIL	CONT. RATING 1HP, 120 VOLT
2	2	Z7	WIRE ASSEMBLY (GREEN)	-
4	4	Z6	WIRE ASSEMBLY [13,14,16,17]	-
1	1	Z5	WIRE ASSEMBLY [12]	-
1	1	Z3	MANIFOLD HARNESS	-
1	1	Z2	HARNESS-IGNITION MODULE	-
1	1	Z1	OPTIONAL FILTER SUPPLY CORD	-
2	2	Y	WIRE NUT YELLOW	-
1	1	W	24V 40VA TRANSFORMER	120 VOLT 240 VOLT
1	2	V	LIMIT WIRES	-
3	3	T	WIRE NUT	-
1	1	S	GROUND LUG	-
1	1	P	THERMOCOUPLE	-
1	1	N	POWER HARNESS	-
1	1	M	MAIN HARNESS	-
1	1	L	HI-LIMIT	-
1	1	K	COMBO VALVE W.R.	NAT LP
1	1	J	INTERFACE HARNESS	-
1	2	G	TERMINAL, STATIONARY	-
1	1	E	CONTROL INTERFACE, TRIDELTA	-
1	1	D	D.V.I. HARNESS ASSEMBLY	-
1	1	C	THERMISTOR	-
1	1	B	ROCKER SWITCH ASSEMBLY	-
1	-	A1	NCC CONTROLLER W/TIMER(S)	W/FILTER WO/FILTER
-	1	A	NCC COMPUTER	W/FILTER WO/FILTER
req.	req.	IT.	DESCRIPTION	FIN.
D	C	MODELS	WIRING INFORMATION FOR UNITS LISTED	
WIRING DIAGRAM W & WO/SOLENOID, FILL				
CCS FRYERS WO/E.I., W & WO/LIFTS				
DERIVED SCALE NONE				
FROM: D 428863-2 REV. D				

SEE SCHEMATIC DECAL 428875-1

PAGE 2 OF 2
(SEE 10207)

10208

Fig. 65

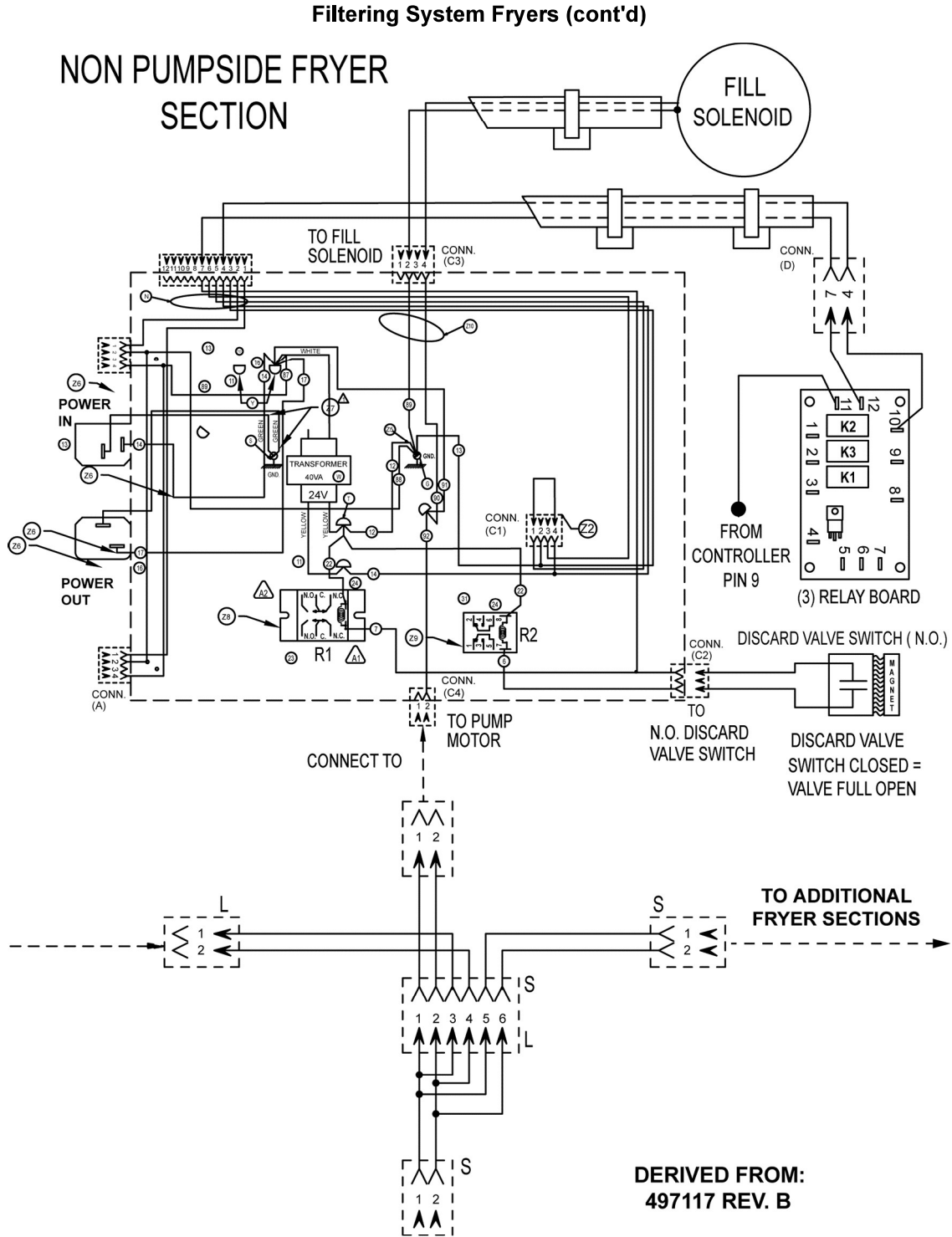


Fig. 67

Frymate (Dump Station)

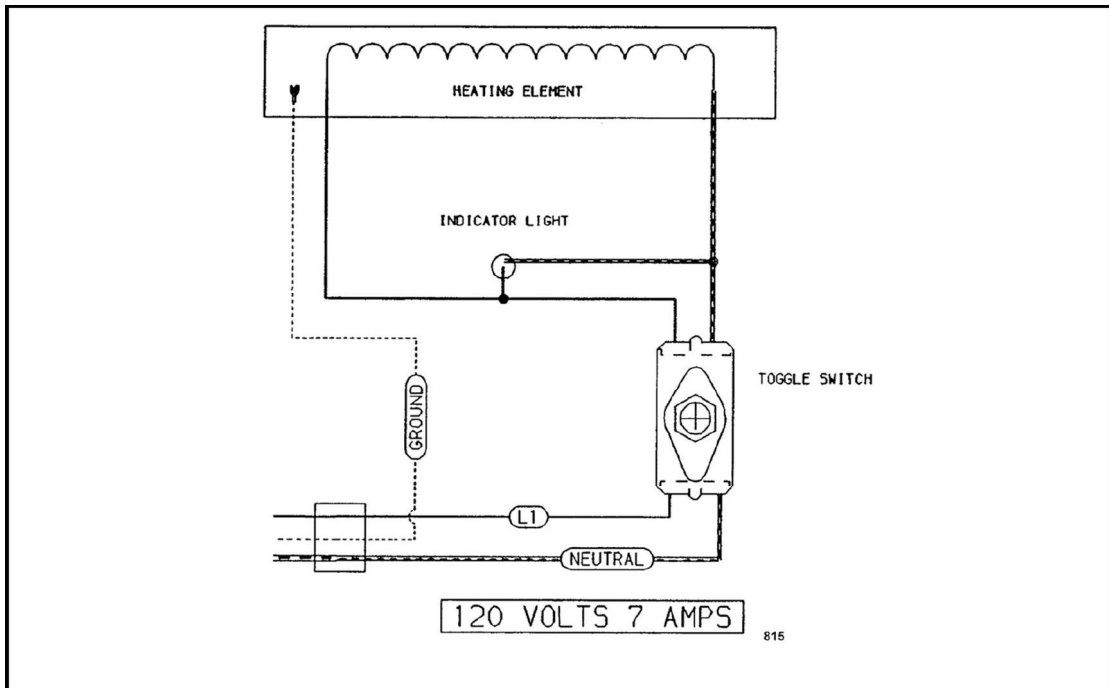


Fig. 68