

VULCAN

CATALOG OF REPLACEMENT PARTS

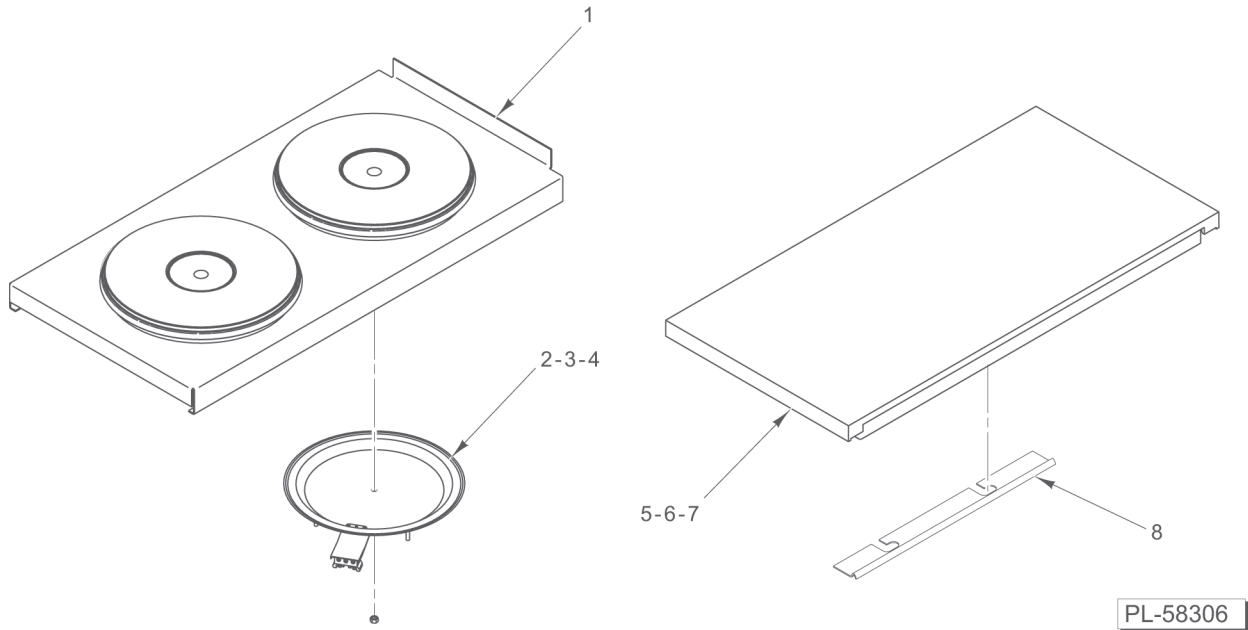
ELECTRIC EXPANDO RANGES

MODEL

| | |
|--------------|------------------|
| <i>E12HT</i> | <i>ML-136543</i> |
| <i>E12FP</i> | <i>ML-136544</i> |

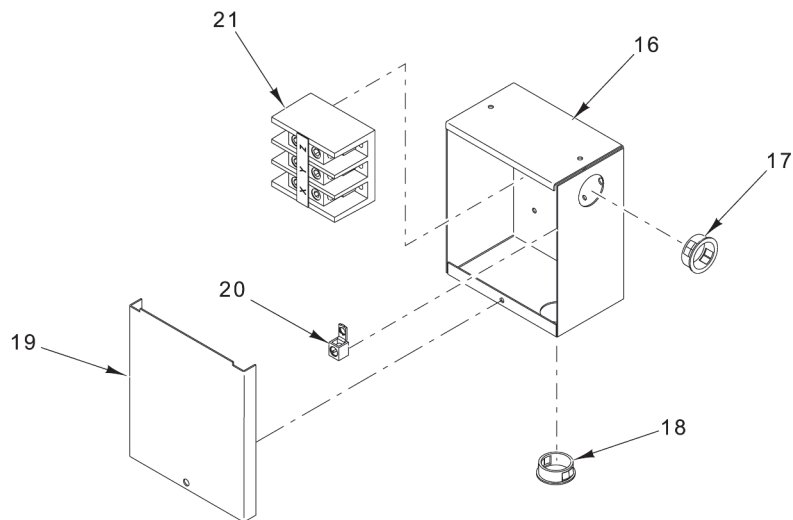
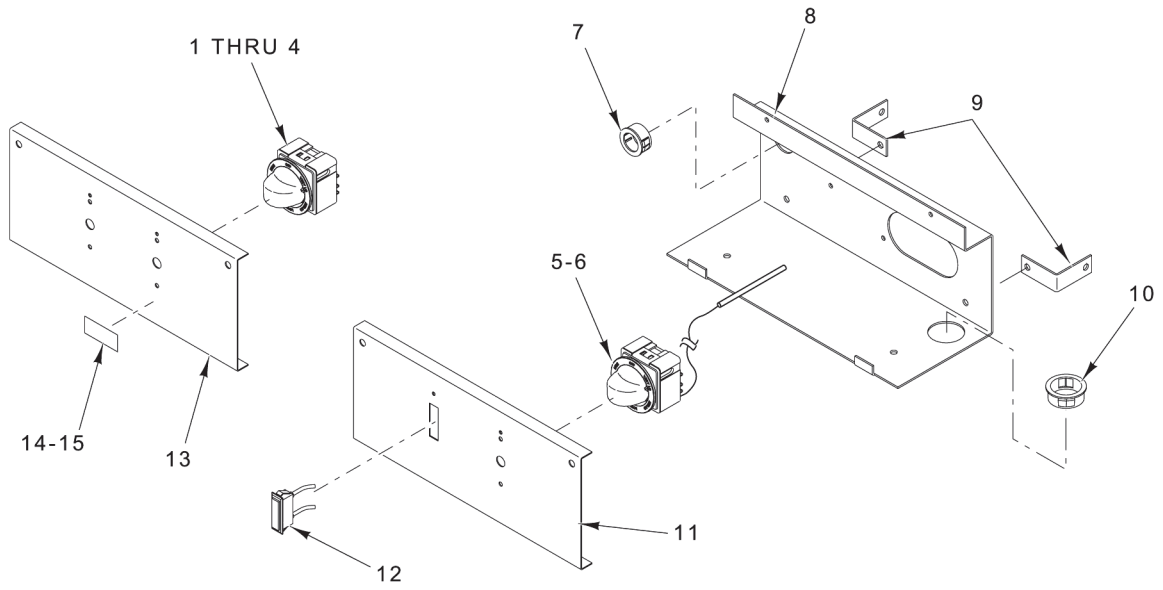


For additional information on Vulcan-Hart Company or to locate an authorized parts and service provider in your area, visit our website at www.vulcanhart.com



PLATES

| ILLUS. | PART NO. | NAME OF PART | AMT. |
|----------|-----------------|---|------|
| PL-58306 | | | |
| 1 | 00-421191-000G1 | Plate – Aeration Assy. (French Plate) | 1 |
| 2 | 00-421240-00001 | Plate – French E.G.O. (208 V.) | 2 |
| 3 | 00-421240-00002 | Plate – French E.G.O. (240 V.) | 2 |
| 4 | 00-421240-00003 | Plate – French E.G.O. (480 V.) | 2 |
| 5 | 00-421320-00001 | Top – Hot (208 V.) | 1 |
| 6 | 00-421320-00002 | Top – Hot (240 V.) | 1 |
| 7 | 00-421320-00003 | Top – Hot (480 V.) | 1 |
| 8 | 00-421243-00002 | Bracket – Top Holddown | 2 |
| | 00-497042-000G3 | French Plate Power Harness | 1 |
| | 00-421152-000G1 | French Plate Harness (36") (208/240 V.) | 1 |
| | 00-421152-000G2 | French Plate Harness (36") (480 V.) | 1 |

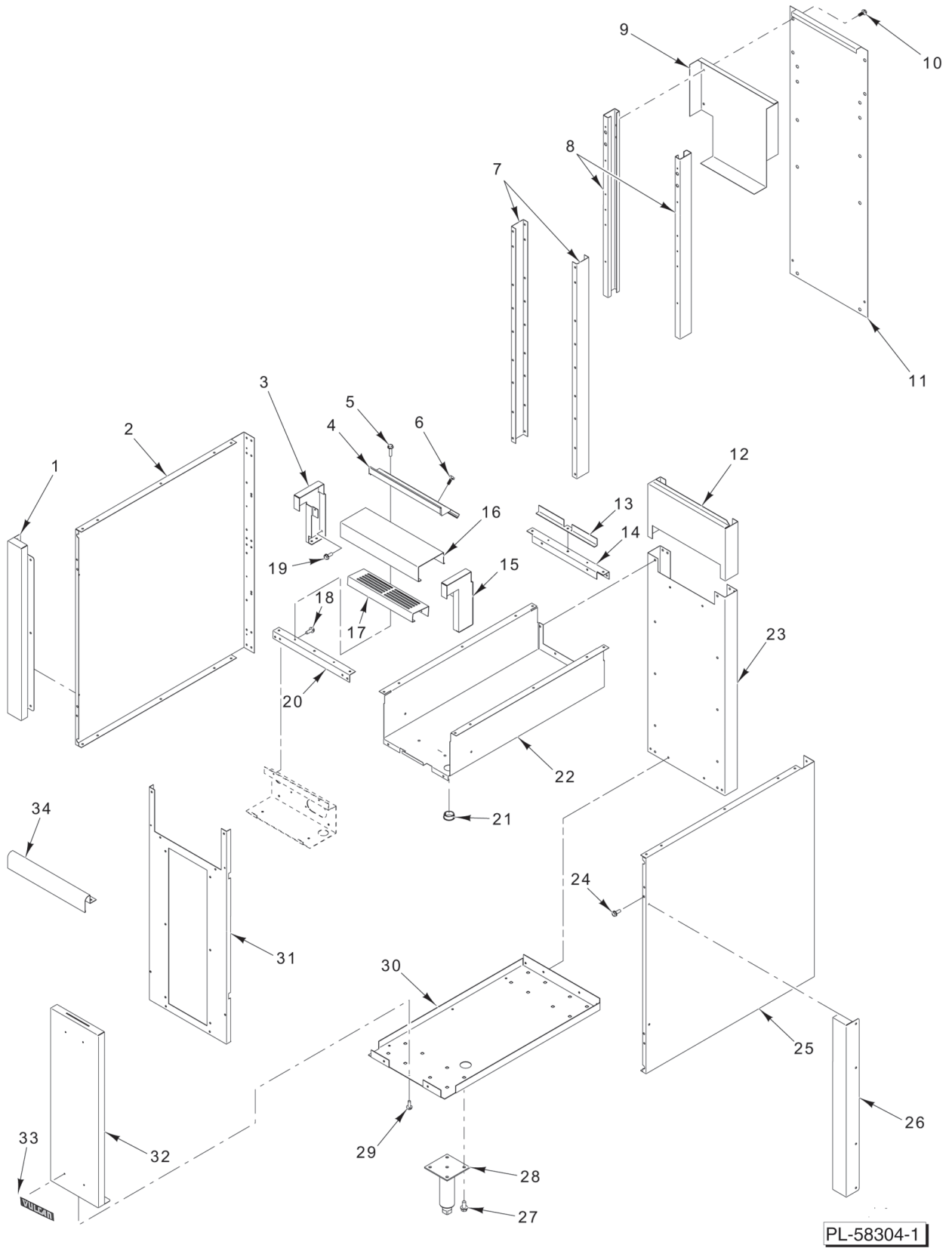


PL-58305

CONTROL PANEL

CONTROL PANEL

| ILLUS. PL-58305 | PART NO. | NAME OF PART | AMT. |
|--------------------|-----------------|--|------|
| 1 | 00-412251-00001 | Knob – Switch (240 V.) (ML-136544) | 2 |
| 2 | 00-412251-00003 | Knob – Switch (480 V.) (ML-136544) | 2 |
| 3 | 00-411503-00004 | Switch – Infinite (240 V.) (ML-136544) | 2 |
| 4 | 00-355798-00001 | Switch – Range 4 Position (480 V.) (ML-136544) | 2 |
| 5 | 00-418061-00003 | Knob – Thermostat (ML-136543) | 1 |
| 6 | 00-411506-00014 | Thermostat (ML-136543) | 1 |
| 7 | FE-023-56 | Bushing – Electric Snap | 1 |
| 8 | 00-497707-00001 | Housing – Manifold | 1 |
| 9 | 00-421692-00001 | Bracket – Manifold Housing Support | 2 |
| 10 | FE-017-16 | Bushing – Electric Snap | 1 |
| 11 | 00-497495-00012 | Cover – Manifold | 1 |
| 12 | 00-411496-000E8 | Light Indicator (ML-136543) | 1 |
| 13 | 00-497496-00012 | Cover – Manifold Stiffner | 1 |
| 14 | 00-409642-00002 | Label – Rear (ML-136544) | 1 |
| 15 | 00-409642-00001 | Label – Front (ML-136544) | 1 |
| 16 | 00-499075-00001 | Box – Main Power | 1 |
| 17 | FE-017-16 | Bushing – Electric Snap | 1 |
| 18 | FE-017-16 | Bushing – Electric Snap | 1 |
| 19 | 00-499076-00001 | Lid – Power Supply | 1 |
| 20 | 00-417856-00001 | Lug – Ground | 1 |
| 21 | 00-410472-00008 | Block – Terminal (3 Pole) | 1 |
| | 00-417876-00001 | Resistor (480 V.) (ML-136543) | 1 |



BODY

BODY

| ILLUS. | PART NO. | NAME OF PART | AMT. |
|------------|-----------------|---|------|
| PL-58304-1 | | | |
| 1 | 00-497719-00001 | Trim – Edge | 1 |
| 2 | 00-417212-00003 | Side – Body | 1 |
| 3 | 00-424925-00001 | Cap – End Square Left | 1 |
| 4 | 00-497713-000G1 | Shield – Heat Assy. | 1 |
| 5 | SD-036-86 | Self-Tapping Screw 10-24 x 3/4 Hex Hd. Type TT | 2 |
| 6 | SD-032-07 | Self-Tapping Screw 10-24 x 1/2 Hex Hd. Type TT | 1 |
| 7 | 00-497714-00001 | Channel – Bayonet | 2 |
| 8 | 00-417221-00001 | Channel – Bayonet | 2 |
| 9 | 00-497715-00001 | Shield – Rear Heat | 1 |
| 10 | SD-032-07 | Self-Tapping Screw 10-24 x 1/2 Hex Hd. Type TT | 1 |
| 11 | 00-499026-00001 | SS Finishing Back (See Note) | 1 |
| 12 | 00-497716-00001 | Back Splash | 1 |
| 13 | 00-421190-00001 | Support – Hot Top | 1 |
| 14 | 00-497706-00001 | Channel – Front/Rear | 1 |
| 15 | 00-424925-00002 | Cap – End Square Right | 1 |
| 16 | 00-497708-000G1 | Top – Front | 1 |
| 17 | 00-497720-00001 | Top Closure – Front | 1 |
| 18 | SD-032-07 | Self-Tapping Screw 10-24 x 1/2 Hex Hd. Type TT | 1 |
| 19 | SD-032-07 | Self-Tapping Screw 10-24 x 1/2 Hex Hd. Type TT | 1 |
| 20 | 00-497706-00001 | Channel – Front/Rear | 1 |
| 21 | FE-017-16 | Bushing – Electric Snap | 1 |
| 22 | 00-497705-00001 | Box – Burner | 1 |
| 23 | 00-497704-00001 | Back – Body | 1 |
| 24 | SD-032-07 | Self-Tapping Screw 10-24 x 1/2 Hex Hd. Type TT | 1 |
| 25 | 00-417212-00003 | Side – Body | 1 |
| 26 | 00-497719-00001 | Trim – Edge | 1 |
| 27 | SD-037-70 | Self-Tapping Screw 1/4-20 x 1/2 Hex Hd. Type TT | 16 |
| 28 | 00-413112-00012 | Leg (6 In.) | 4 |
| 29 | SD-032-07 | Self-Tapping Screw 10-24 x 1/2 Hex Hd. Type TT | 1 |
| 30 | 00-497583-00001 | Base | 1 |
| 31 | 00-497703-00001 | Frame – Front | 1 |
| 32 | 00-497734-00001 | Trim – Panel | 1 |
| 33 | 00-417700-00003 | Nameplate – Vulcan | 1 |
| 34 | 00-497718-00001 | Handle – Trim | 1 |

NOTE: Stainless Steel finishing back is only available as a repair part for units that were manufactured with this feature at the factory.

REPLACEMENT PARTS LIST

| PART NO. | NAME OF PART | AMT. |
|-----------------|--|------|
| 00-411503-00004 | Infinite Switch | 4 |
| 00-412251-00001 | Switch Knob | 4 |
| 00-355798-00001 | Range Switch (4-position) (480 V.) | 2 |
| 00-412251-00003 | Range Switch Knob (4-position) | 2 |
| 00-421240-00001 | Element, French Plate (208 V.) | 2 |
| 00-421240-00002 | Element, French Plate (240 V.) | 2 |
| 00-421240-00003 | Element, French Plate (480 V.) | 2 |
| 00-411506-00014 | Thermostat Hot Top | 1 |
| 00-418061-00003 | Thermostat Knob Hot Top | 2 |
| 00-421320-00001 | Hot Top Assy. (208 V.) | 1 |
| 00-421320-00002 | Hot Top Assy. (240 V.) | 1 |
| 00-421320-00003 | Hot Top Assy. (480 V.) | 1 |
| 00-410472-00008 | Terminal Block (3-pole) | 1 |

NOTES