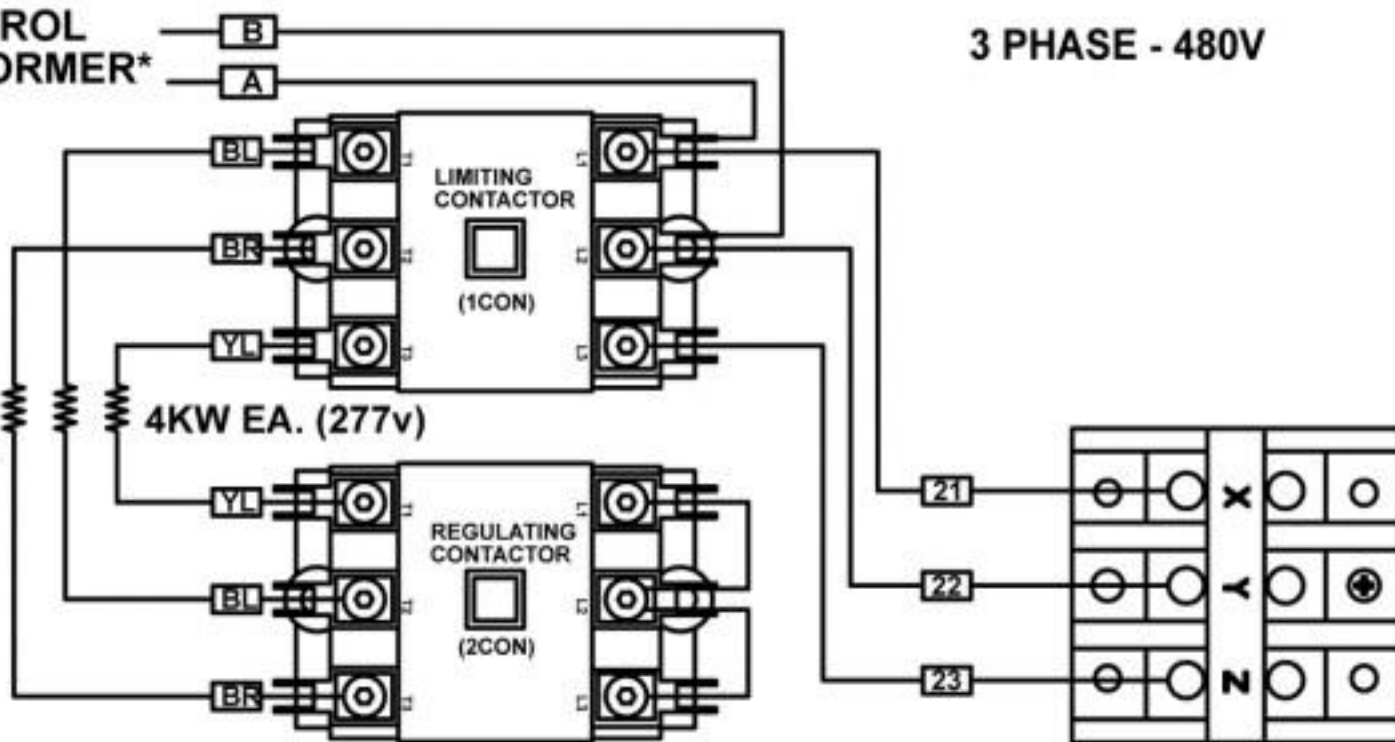


TO CONTROL
TRANSFORMER*

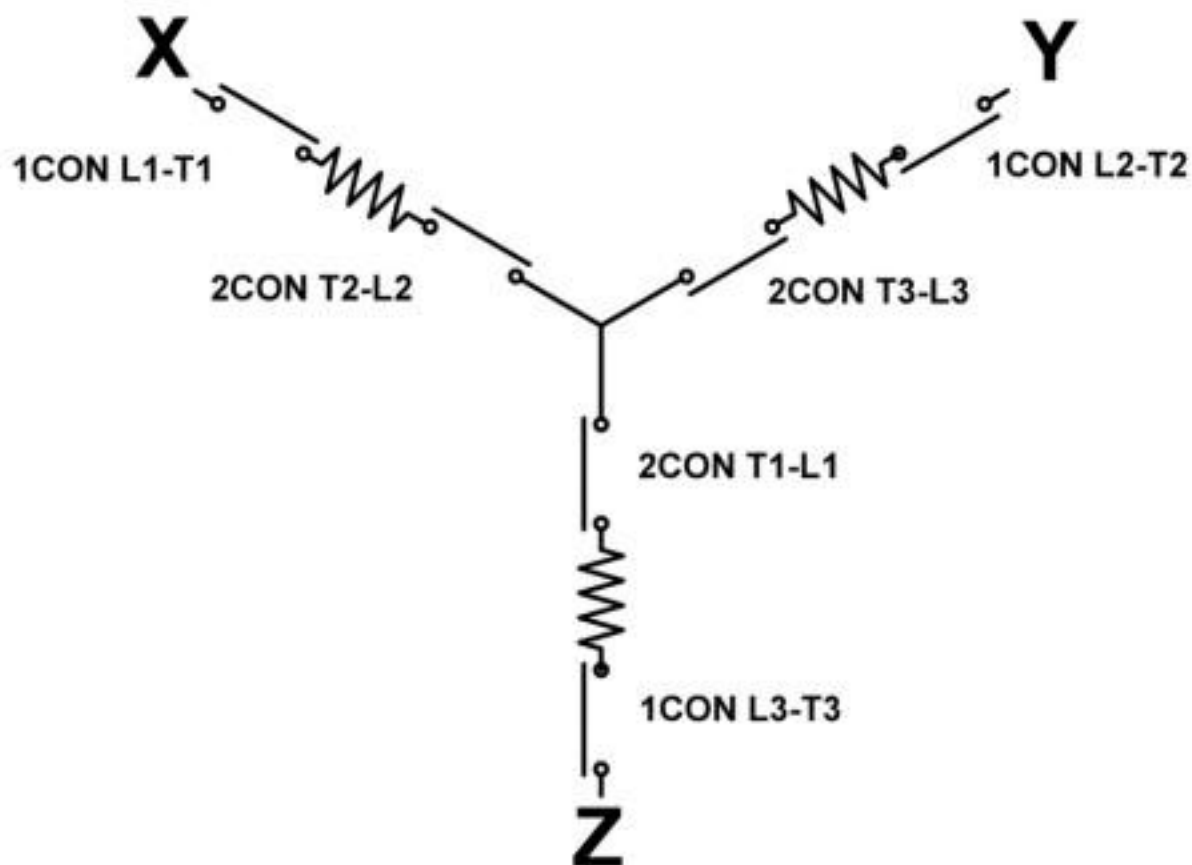
3 PHASE - 480V

HEATING
ELEMENTS

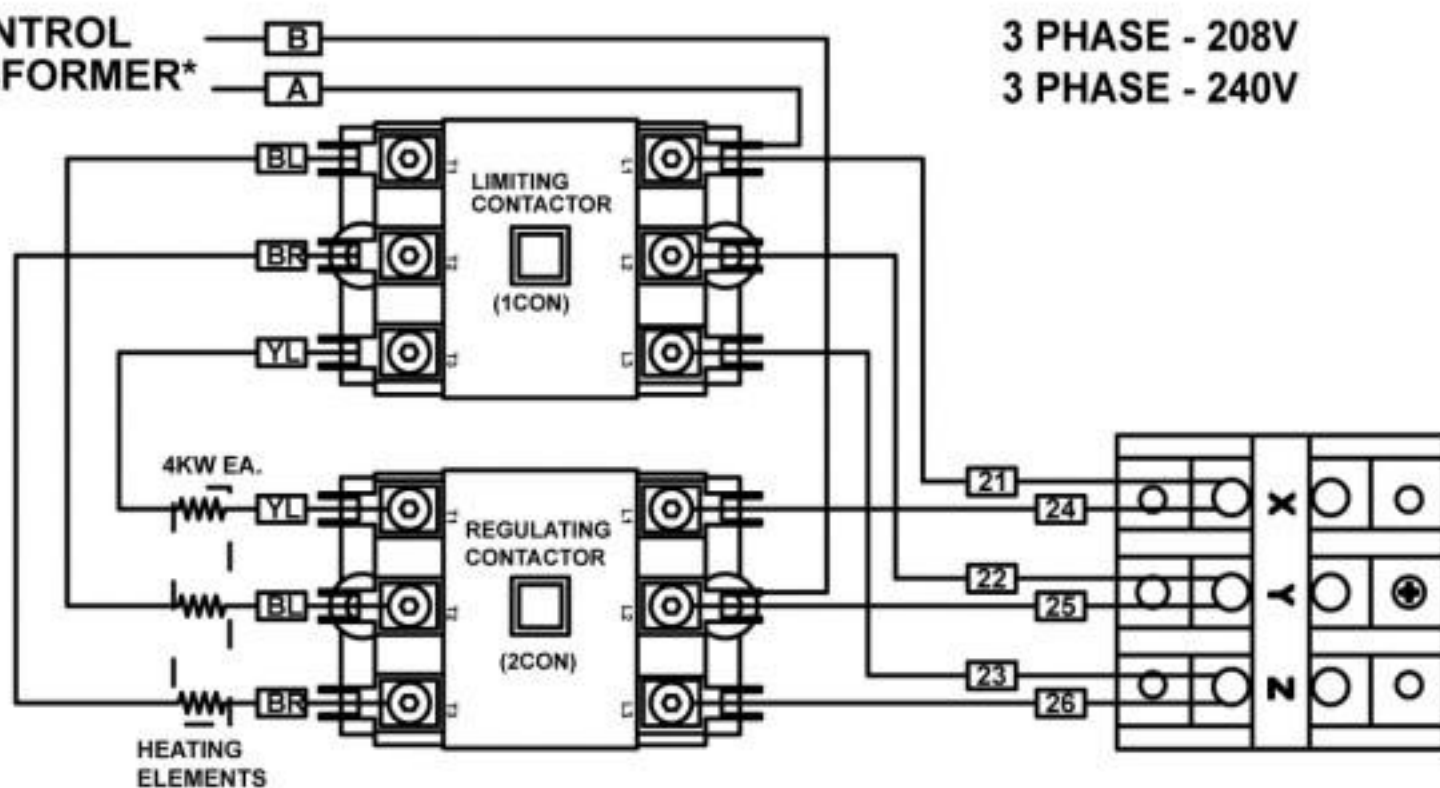


*PRIMARY TAPS OF CONTROL TRANSFORMER MUST BE CONNECTED
ACCORDING TO THE APPLIANCE DATA PLATE VOLTAGE MARKING AND
ACTUAL CONNECTED SUPPLY

5 PAN

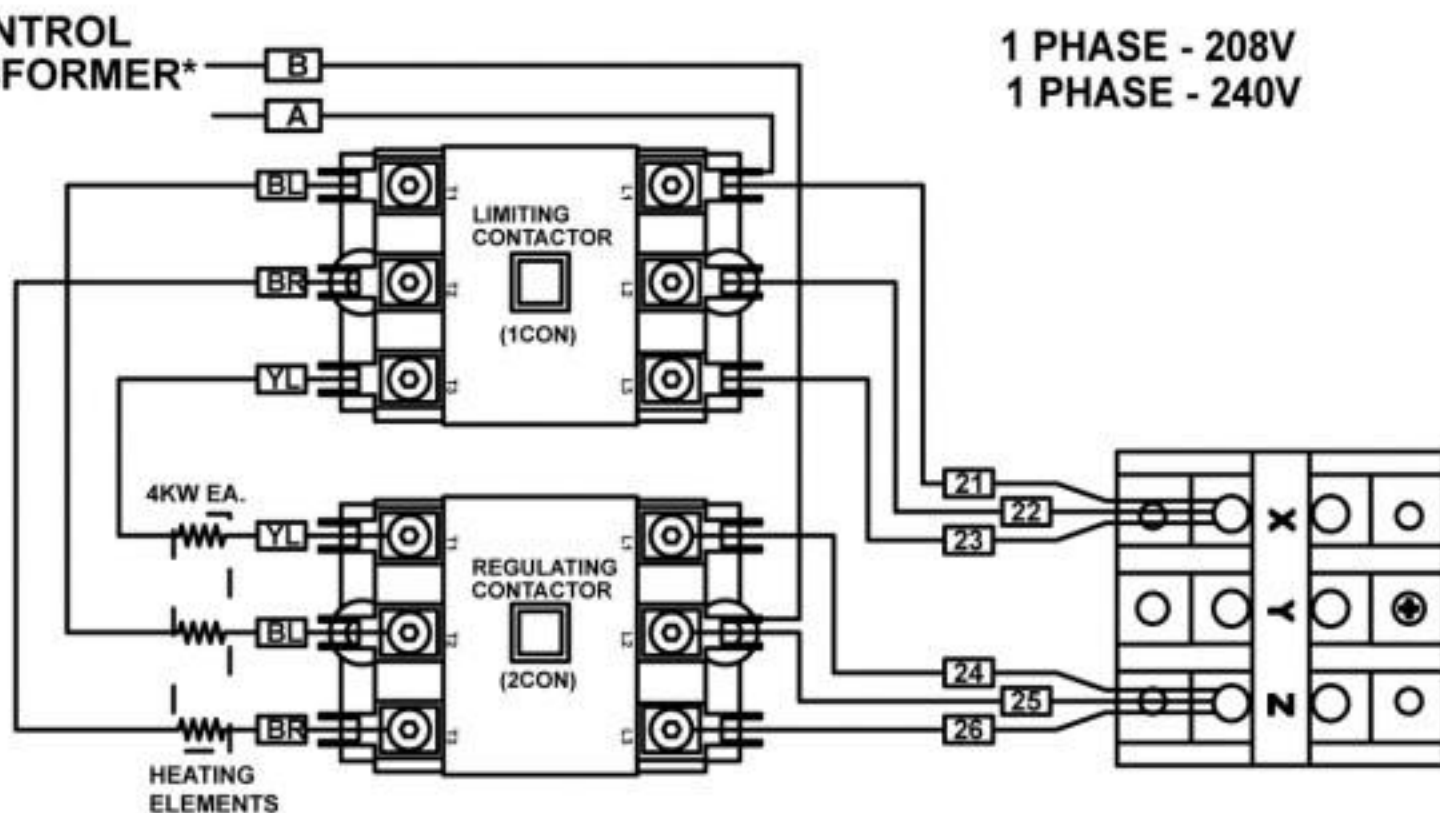


TO CONTROL
TRANSFORMER*



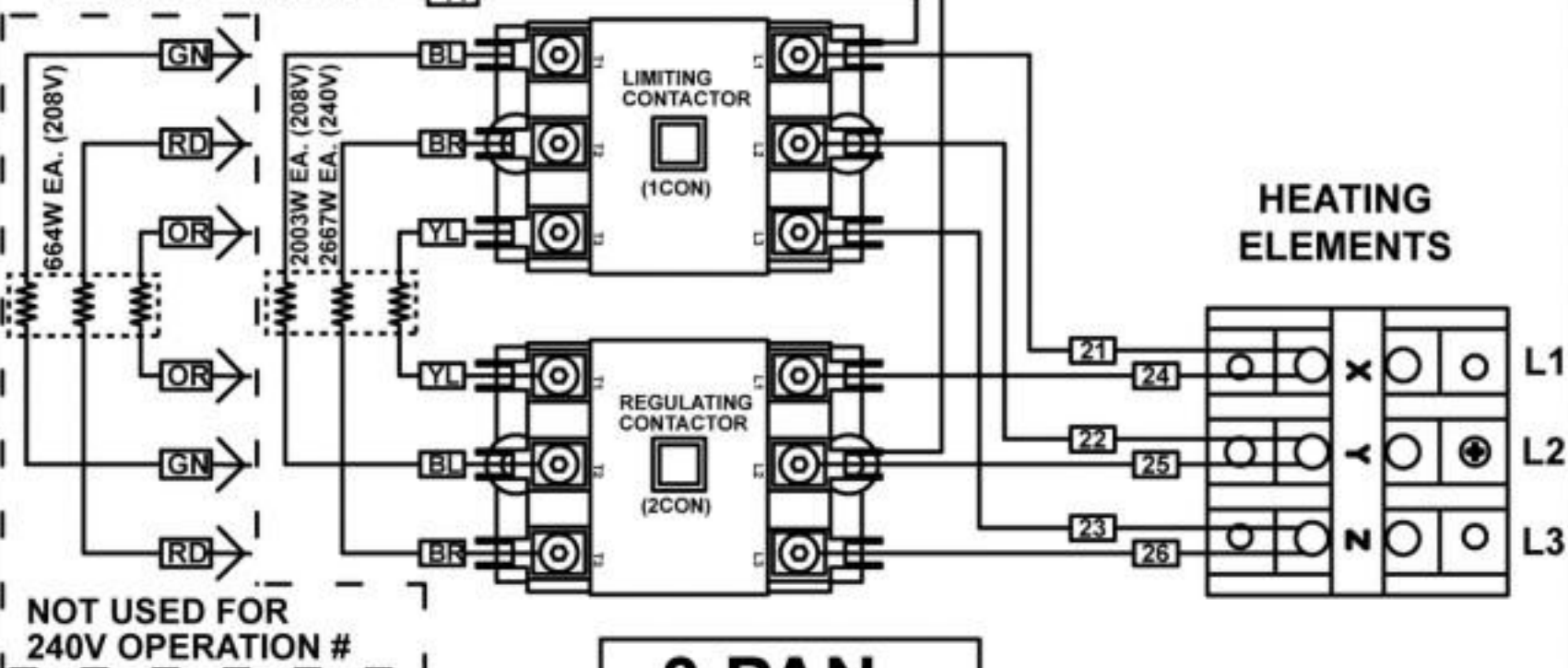
5 PAN

TO CONTROL
TRANSFORMER*



TO CONTROL
TRANSFORMER*

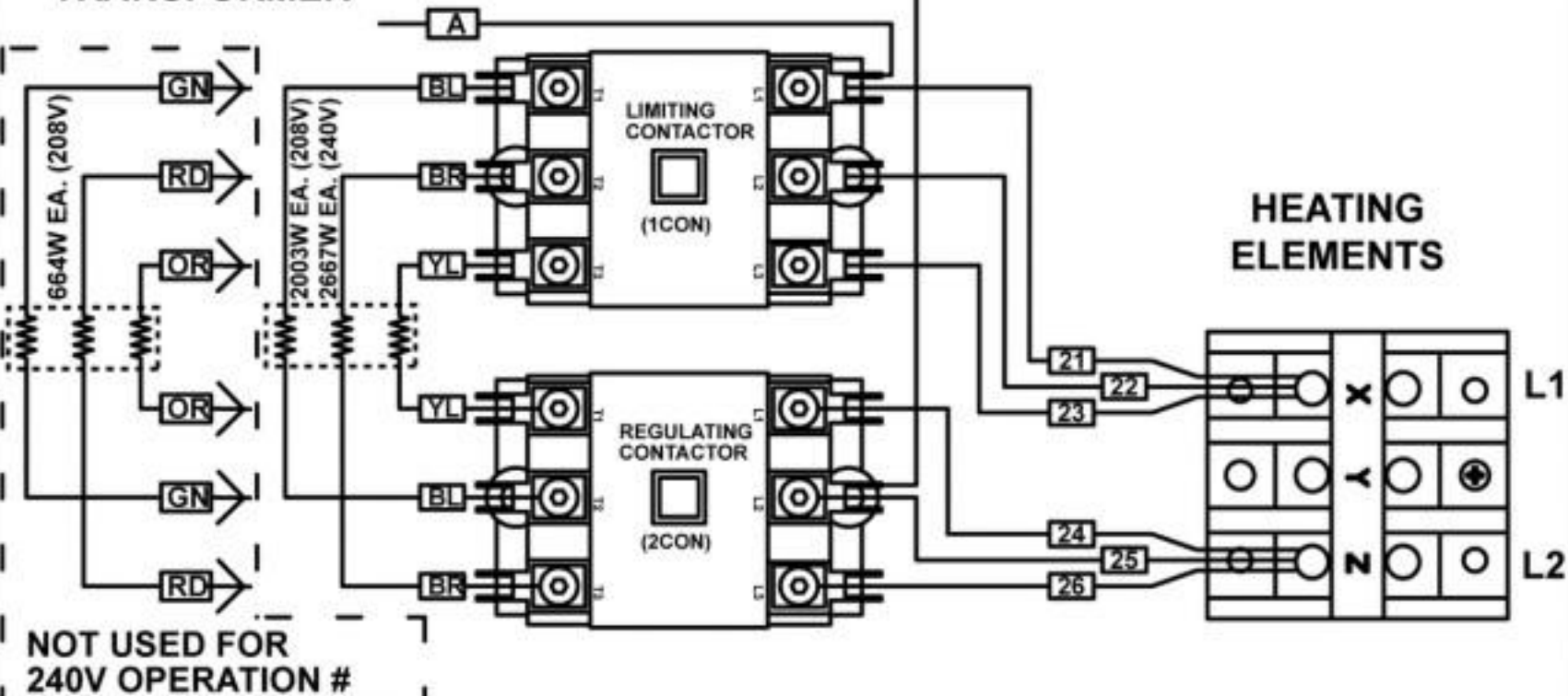
3 PHASE - 208/240V

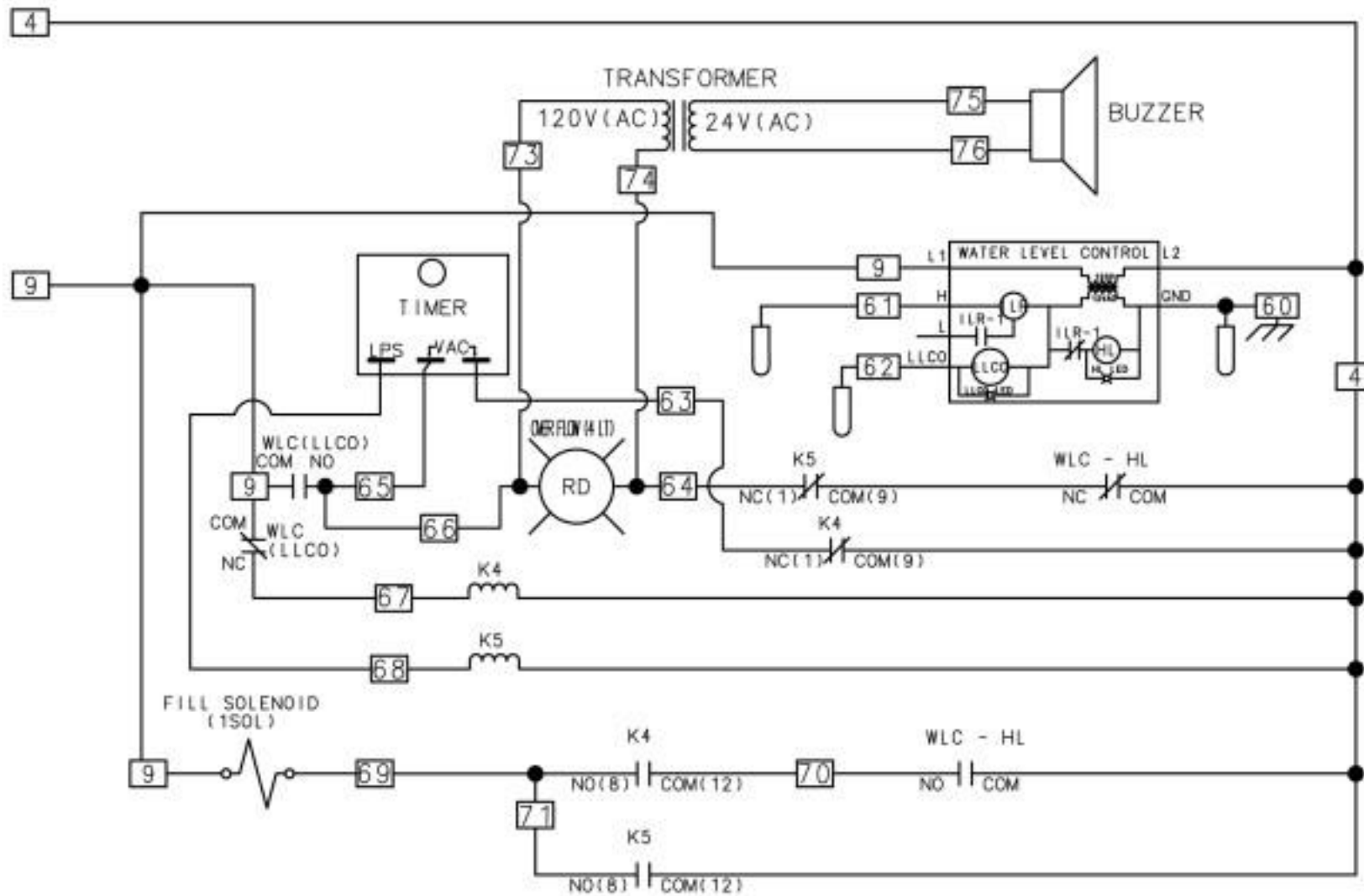


3 PAN

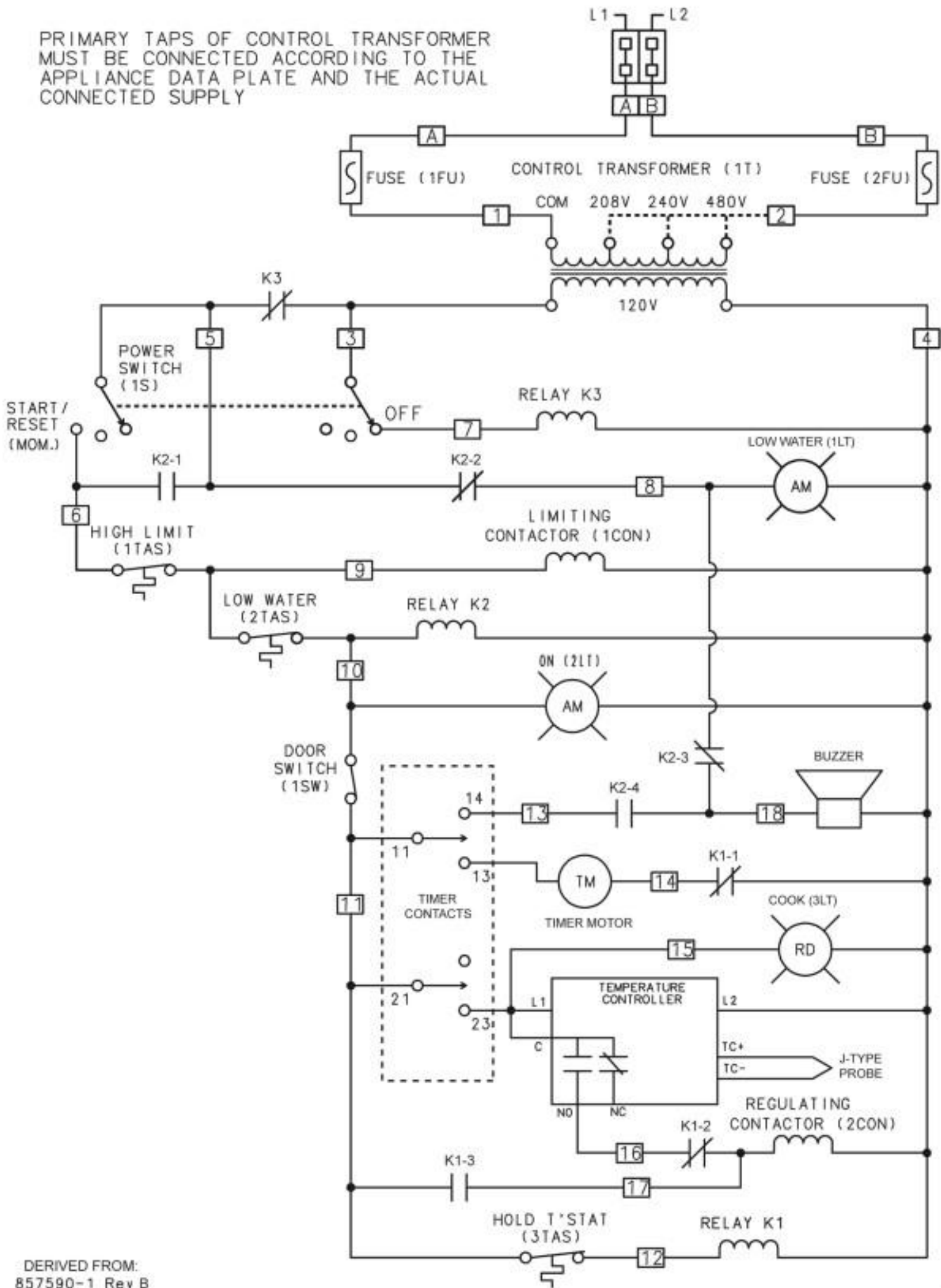
TO CONTROL
TRANSFORMER*

1 PHASE - 208/240V





PRIMARY TAPS OF CONTROL TRANSFORMER MUST BE CONNECTED ACCORDING TO THE APPLIANCE DATA PLATE AND THE ACTUAL CONNECTED SUPPLY



DERIVED FROM:
857590-1 Rev B