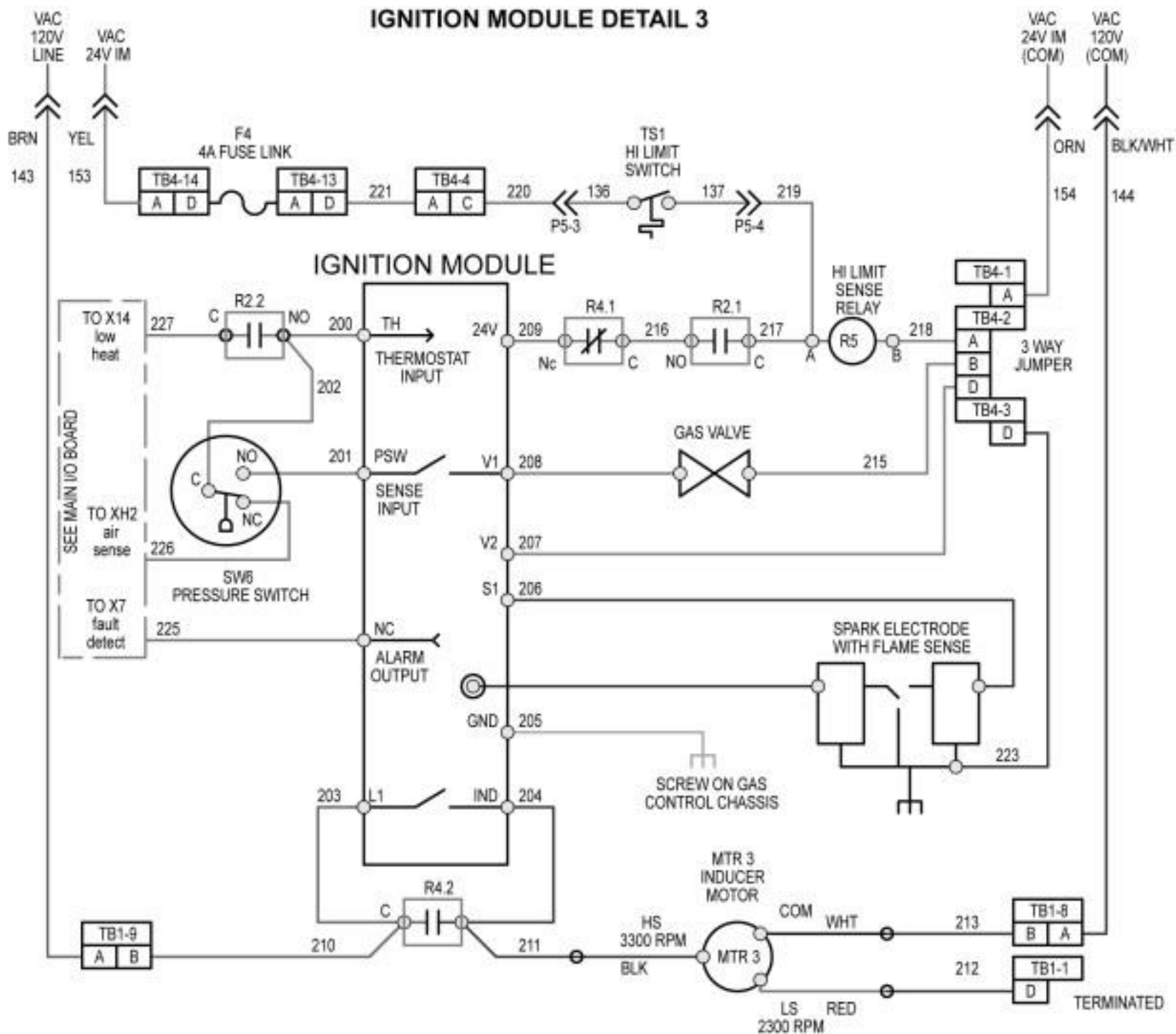
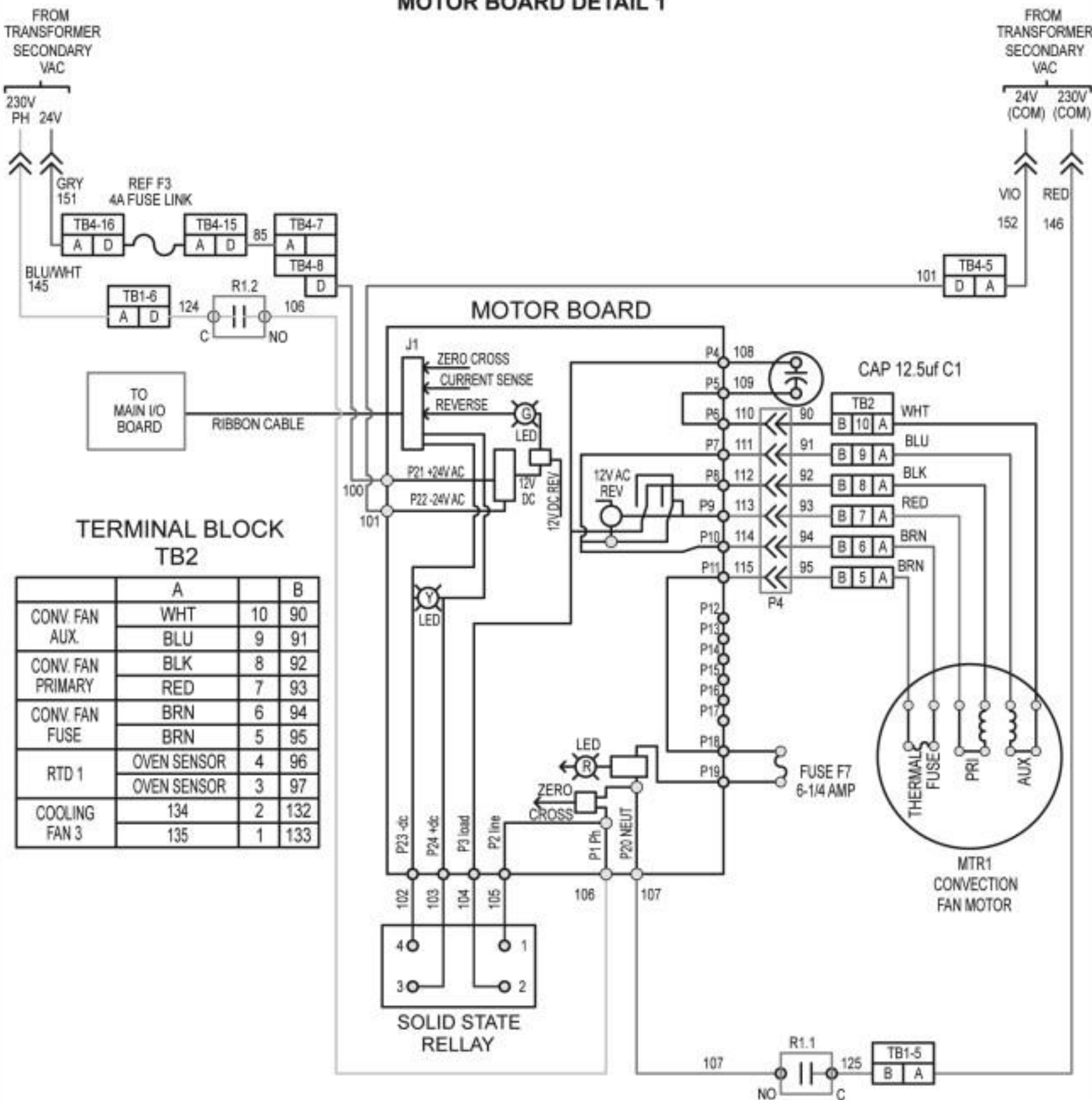


IGNITION MODULE DETAIL 3

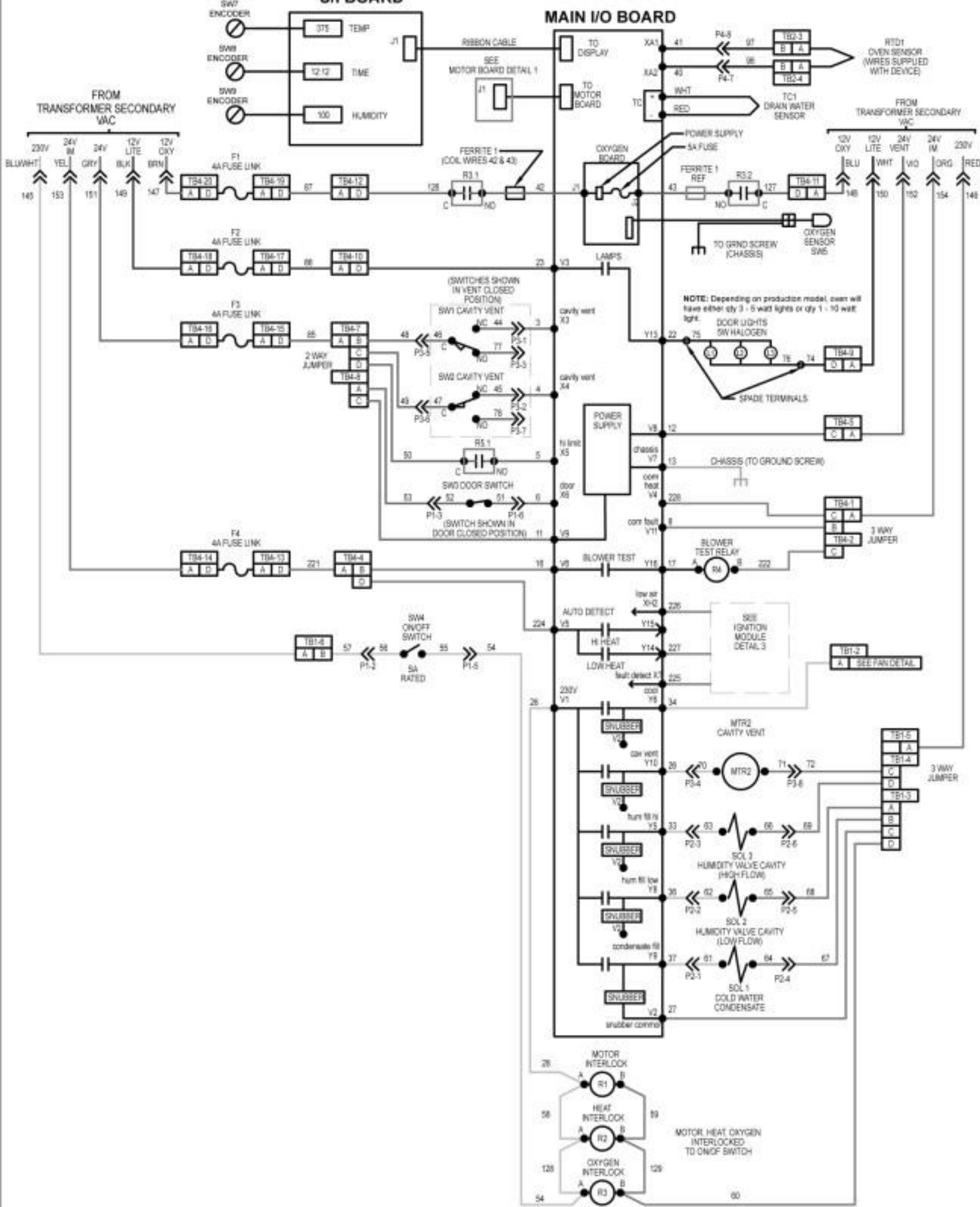


MOTOR BOARD DETAIL 1

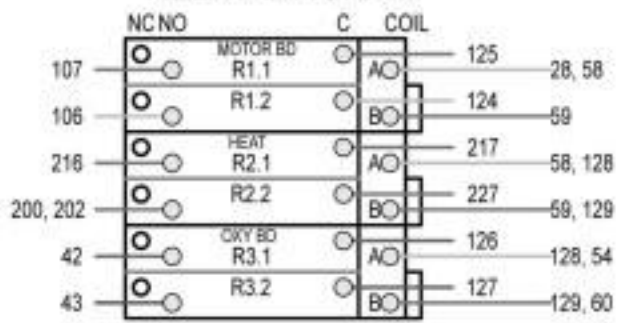


VULCAN DISPLAY BOARD U/I BOARD

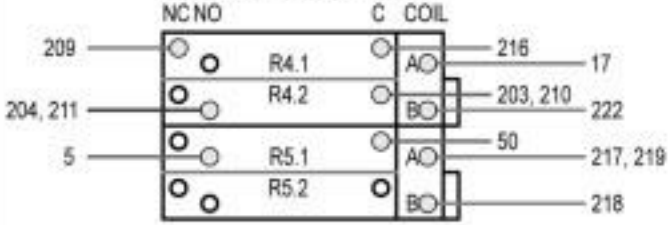
MAIN I/O BOARD



**(INTERLOCKS)
RELAY DIAGRAM**



RELAY DIAGRAM

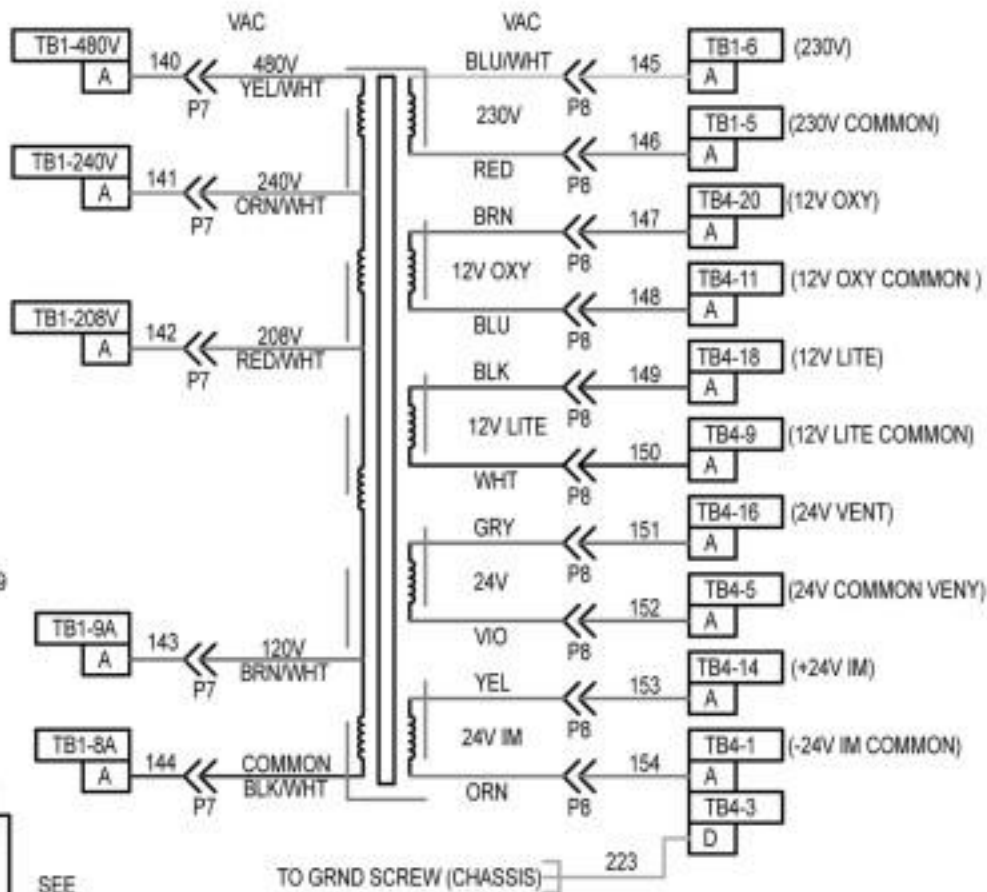


**TERMINAL BLOCK
TB1**

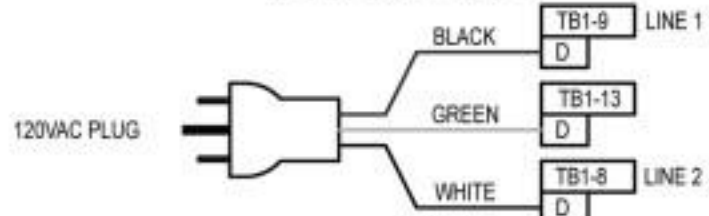
		A	B	TB	C	D
SEE NOTE 1	CHASIS			13		GREEN
TRANSFORMER PRIMARY	480	140		480V		
	240	141		240V		
	208	142		208V		
	120	143		120V	BLK	210
	COM	144		8	WHT	213
TRANSFORMER SECONDARY	230-PH			7		
	230-PH	145	57	6		124
	230-N	146	125	5		80
	230-N	139	131	4	72	69
	230-N	68	67	3	27	60
	FANS	34	79	2	138	130
	OPEN			1		212

**TERMINAL BLOCK
TB4**

		A	B	TB	C	D	FUSE	SERVICES	
TRANSFORMER SECONDARY	12V	FUSED (4A)	147	20		87	FUSE LINK IN HEAT SHRINK F1	OXYGEN BOARD	
	12V	FUSED (4A)	149	18		86	FUSE LINK IN HEAT SHRINK F2	CAVITY LIGHTS	
	24V	FUSED (4A)	151	16		85	FUSE LINK IN HEAT SHRINK F3	MAIN BD, MOTOR BD, VENT SW, DOOR SW, HI LIMIT SENSE	
	24V IM	FUSED (4A)	153	14		221	FUSE LINK IN HEAT SHRINK F4	IGNITION MODULE AND R4	
	12V OXY FUSED	+12		87	12		126		
		-12		148	11		127		
	12V LITE FUSED	+12		86	10		23		
		-12		150	9		74		
	24V FUSED	+24		53	8	11	100		
		-24		85	48	7	49		
	IM 24V FUSED	+24			6				
				152	5	12	101		
		-24		221	16	4	220	224	
					3		223		
				218	215	2	222	207	
			154	8	1	228			



POWER CORD



223
TO GRND SCREW
(CHASSIS)