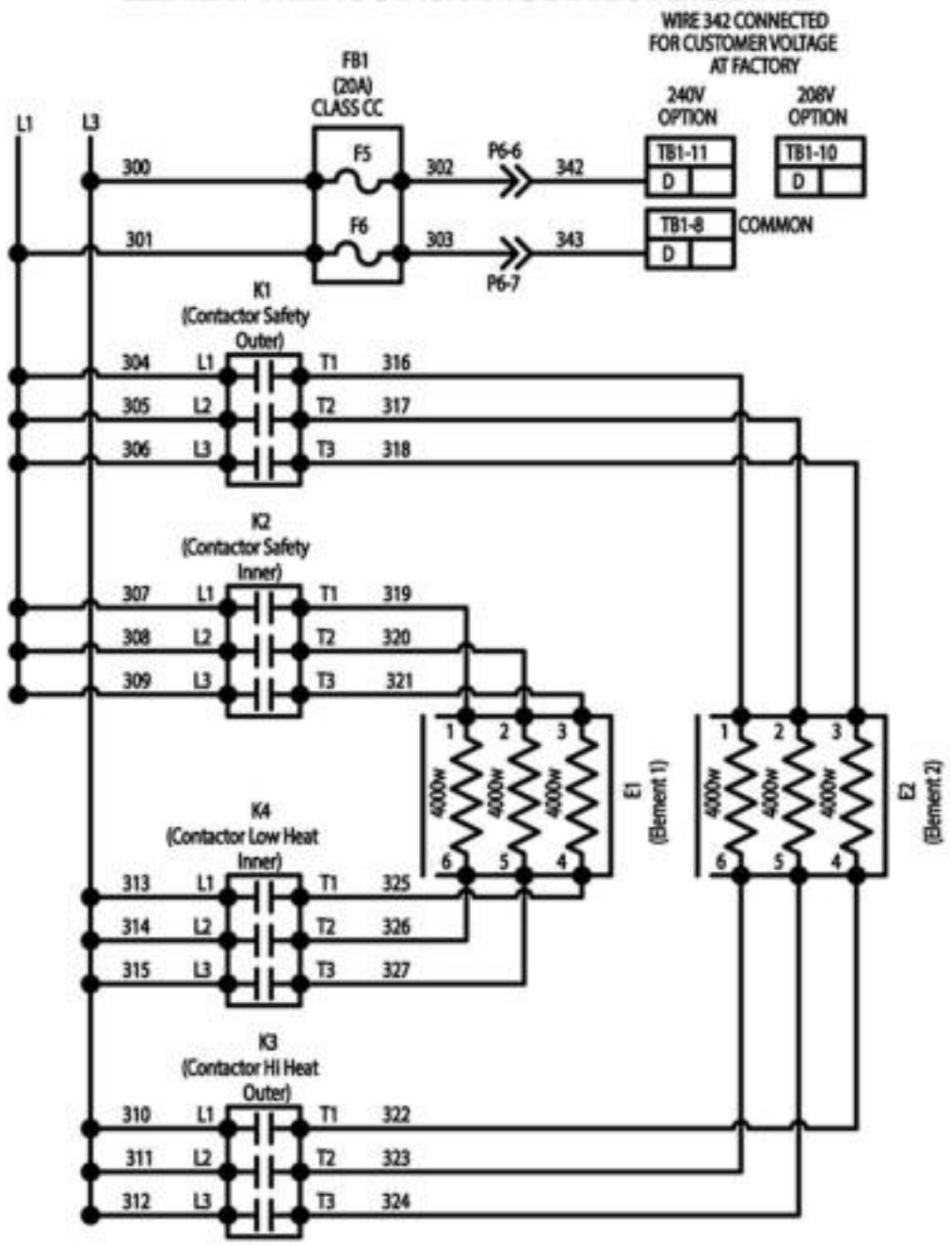


SINGLE PHASE WIRING

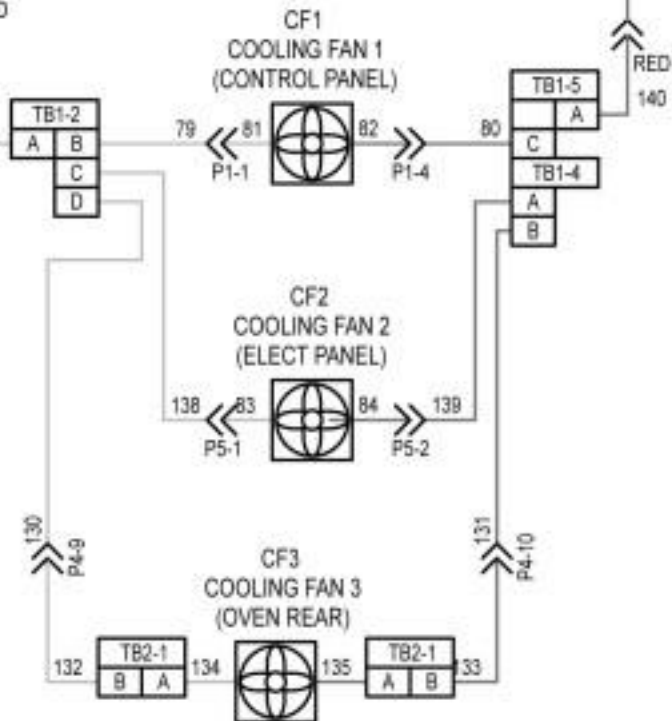
ELEMENT WIRING DIAGRAM DETAIL 3 ALTERNATE



COOLING FAN DETAIL 2

(REF)
WIRE 34
FROM Y6
ON MAIN I/O
BOARD

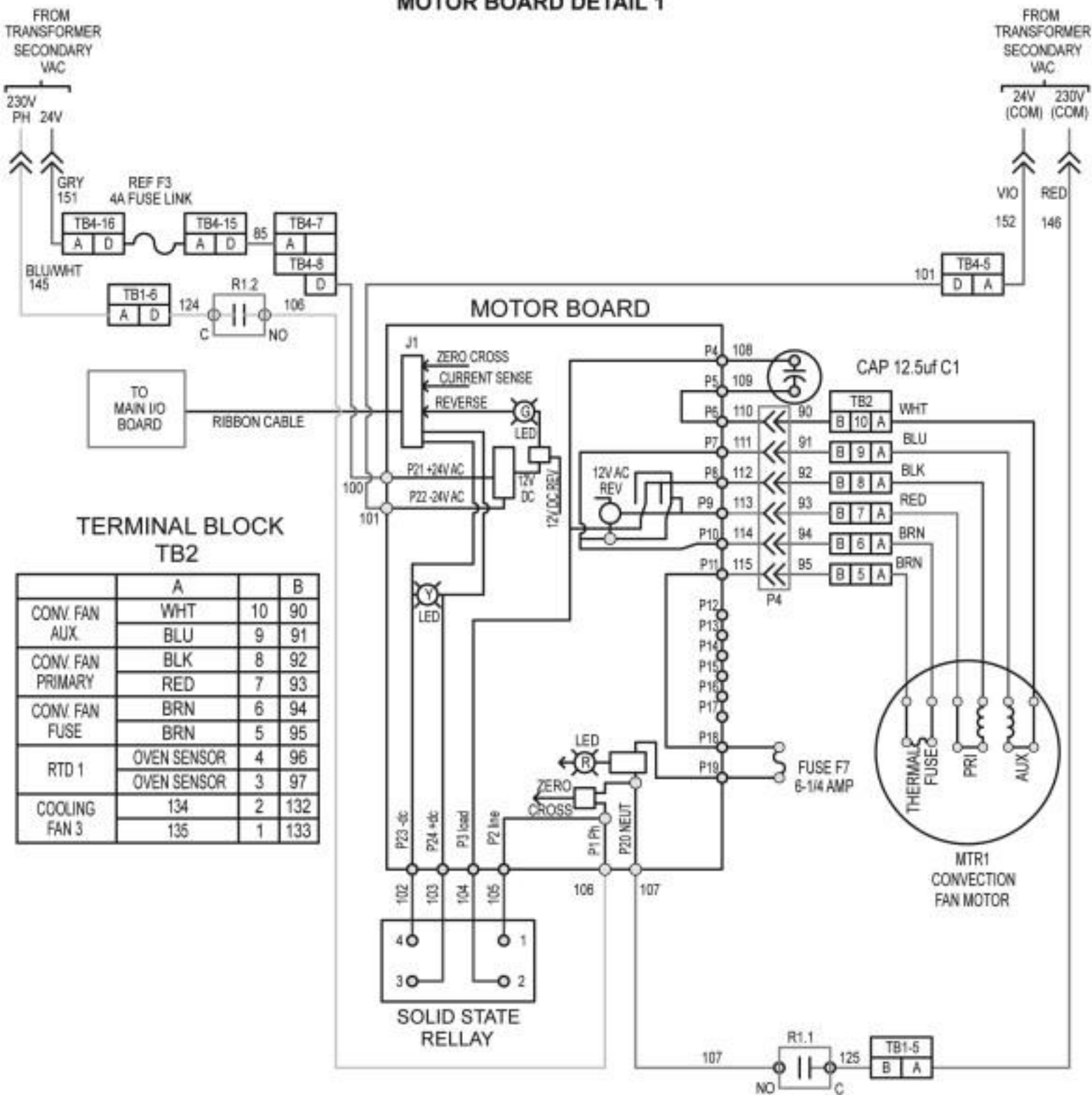
(REF)
230V
(COM)

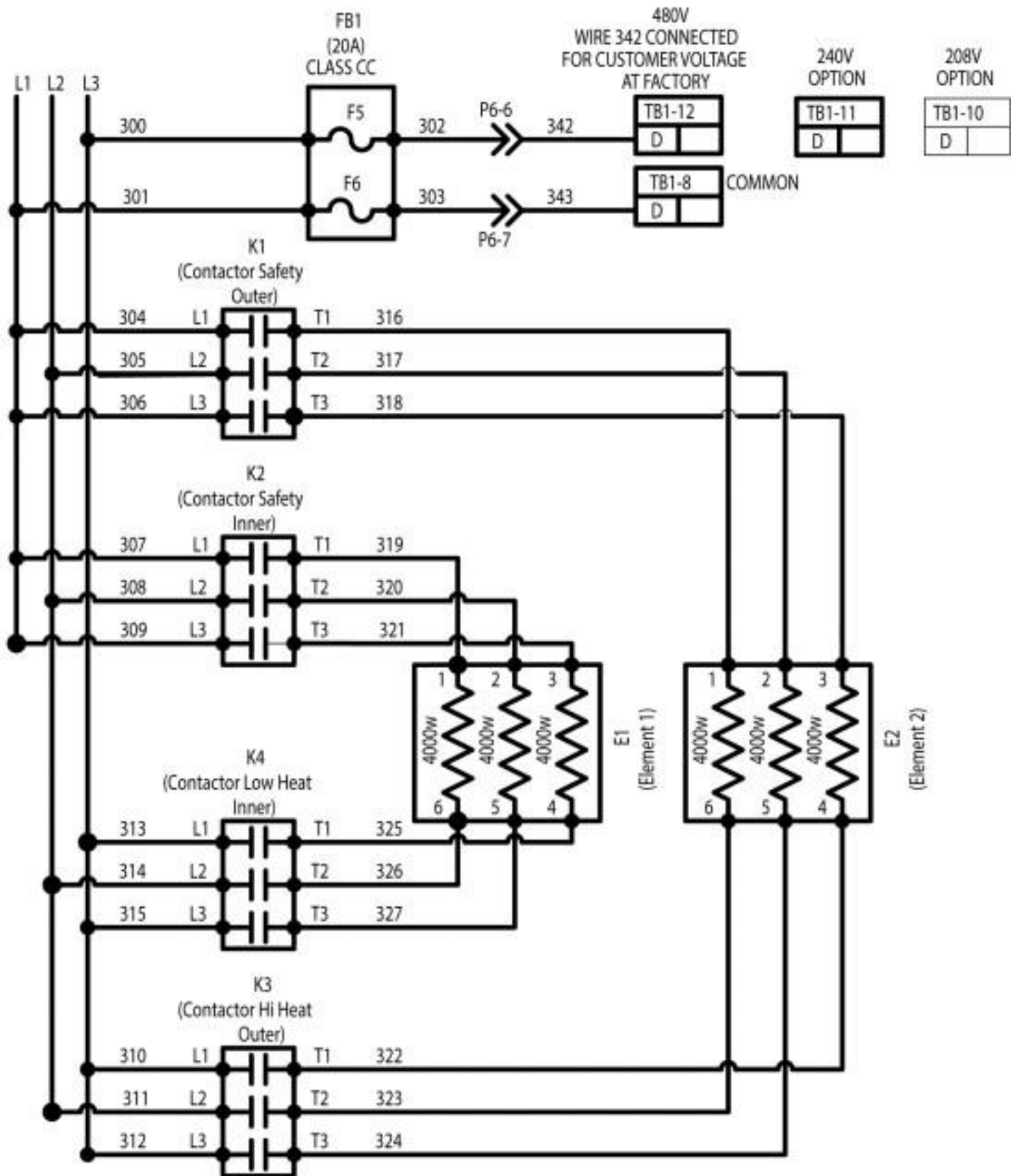


DERIVED FROM 947551

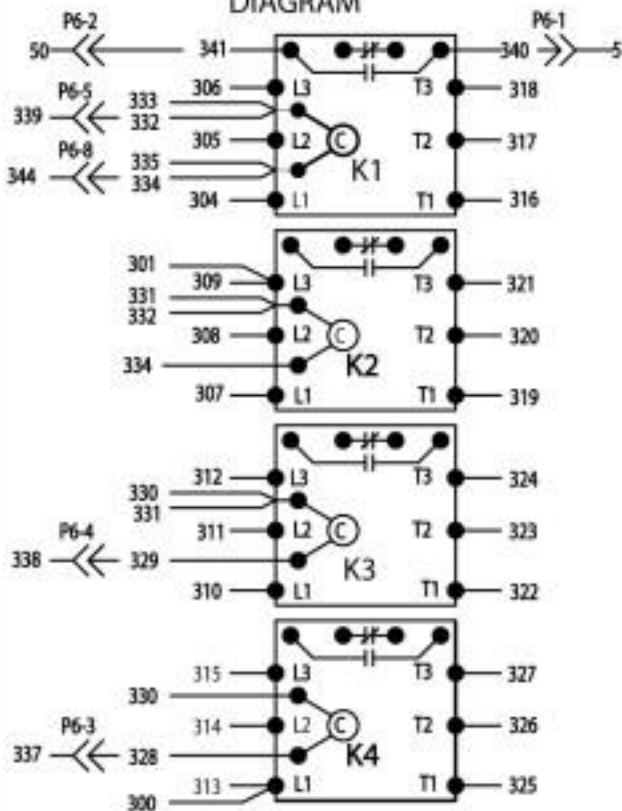
AI3675

MOTOR BOARD DETAIL 1

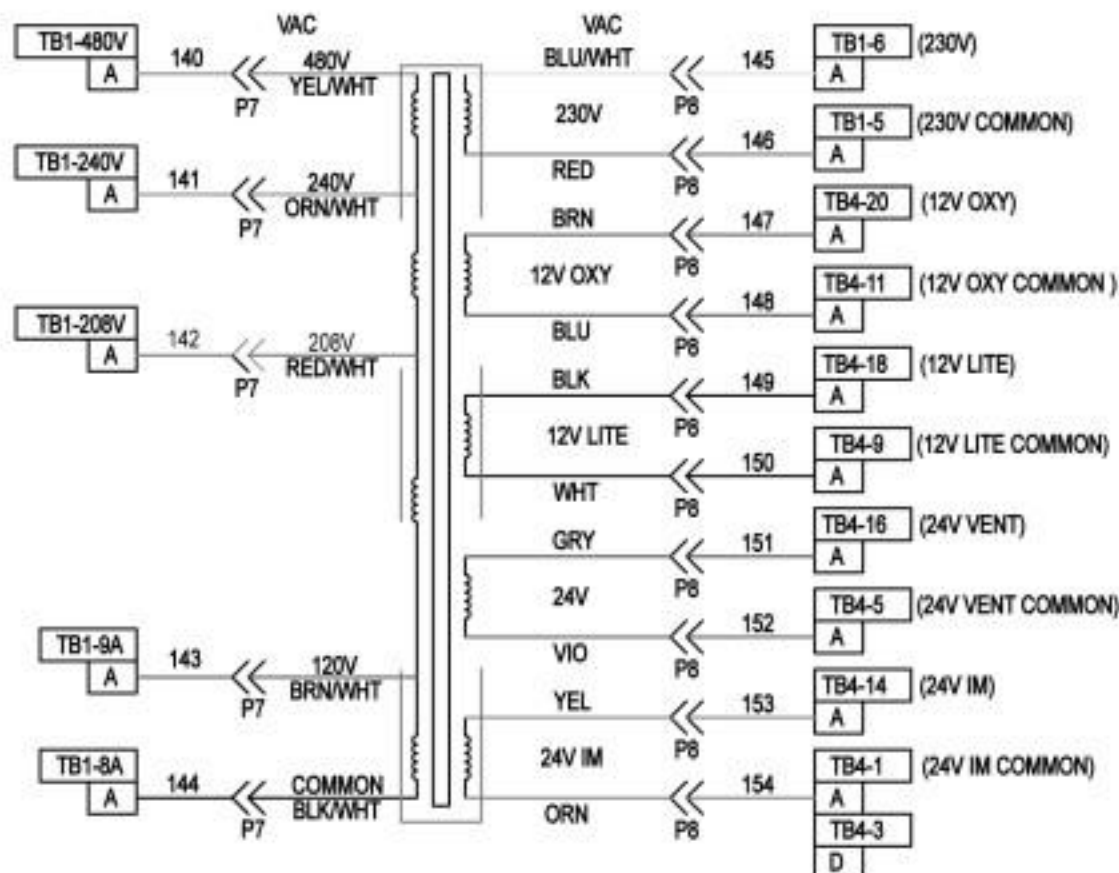
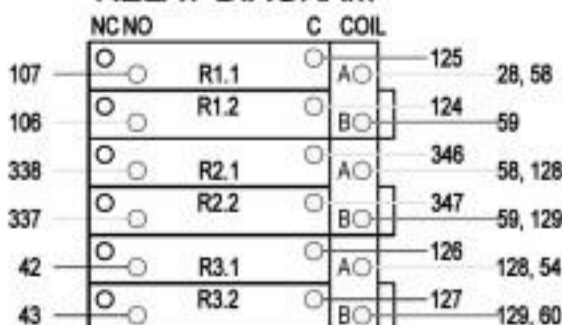




ACI CONTACTOR DIAGRAM



RELAY DIAGRAM

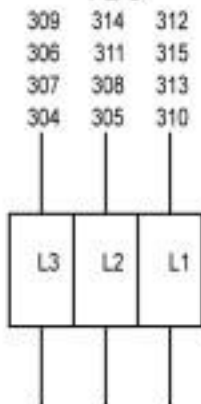


TERMINAL BLOCK TB1

| SEE NOTE 1 | CHASIS | A | B | TB | C | D |
|--------------------------|--------|-----|-----|------|-----|-------|
| TRANSFORMER PRIMARY | 480 | 140 | | 480V | | 342 |
| | 240 | 141 | | 240V | | (342) |
| | 208 | 142 | | 208V | | (342) |
| | 120 | 143 | | 120V | | |
| | COM | 144 | | 8 | | 343 |
| TRANSFORMER SECONDARY | 230-PH | | 345 | 7 | | |
| | 230-PH | 145 | 57 | 6 | 336 | 124 |
| | 230-N | 146 | 125 | 5 | 348 | 80 |
| | 230-N | 139 | 131 | 4 | 72 | 69 |
| | 230-N | 68 | 67 | 3 | 27 | 60 |
| | 230-N | | | 2 | | 339 |
| FANS | 34 | 79 | 1 | 138 | 130 | |

WIRE 342 CONNECTED
FOR CUSTOMER VOLTAGE
AT FACTORY

TERMINAL BLOCK TB3



LINE IN
(INSTALLED IN FIELD)

TERMINAL BLOCK TB4

| TRANSFORMER SECONDARY | | | A | B | TB | C | D | FUSE | SERVICES |
|--------------------------|------------|------------|-----|----|----|-----|-----|-----------------------------|---|
| | 12V | FUSED (4A) | 147 | | 20 | | | 87 | FUSE LINK IN HEAT SHRINK F1 |
| 12V | FUSED (4A) | 149 | | 18 | | | 86 | FUSE LINK IN HEAT SHRINK F2 | CAVITY LIGHTS |
| 24V | FUSED (4A) | 151 | | 16 | | | 85 | FUSE LINK IN HEAT SHRINK F3 | VENT & DOOR SW. HI LIMIT SENSE MOTOR BD. |
| 24V IM | | 153 | | 14 | | | | | |
| 12V OXY FUSED | +12 | 87 | | 12 | | | 126 | | |
| | -12 | 148 | | 11 | | | 127 | | |
| 12V LITE FUSED | +12 | 86 | | 10 | | | 23 | | |
| | -12 | 150 | | 9 | | | 74 | | |
| 24V FUSED | +24 | 53 | | 8 | 11 | 100 | | | |
| | | 85 | 48 | 7 | 49 | 50 | | | |
| | -24 | 152 | | 6 | 12 | 101 | | | |
| | | | | 4 | | | | | |
| | | | | 3 | | | | | |
| | | | | 2 | | | | | |
| | -24V IM | 154 | | 1 | | | | | |