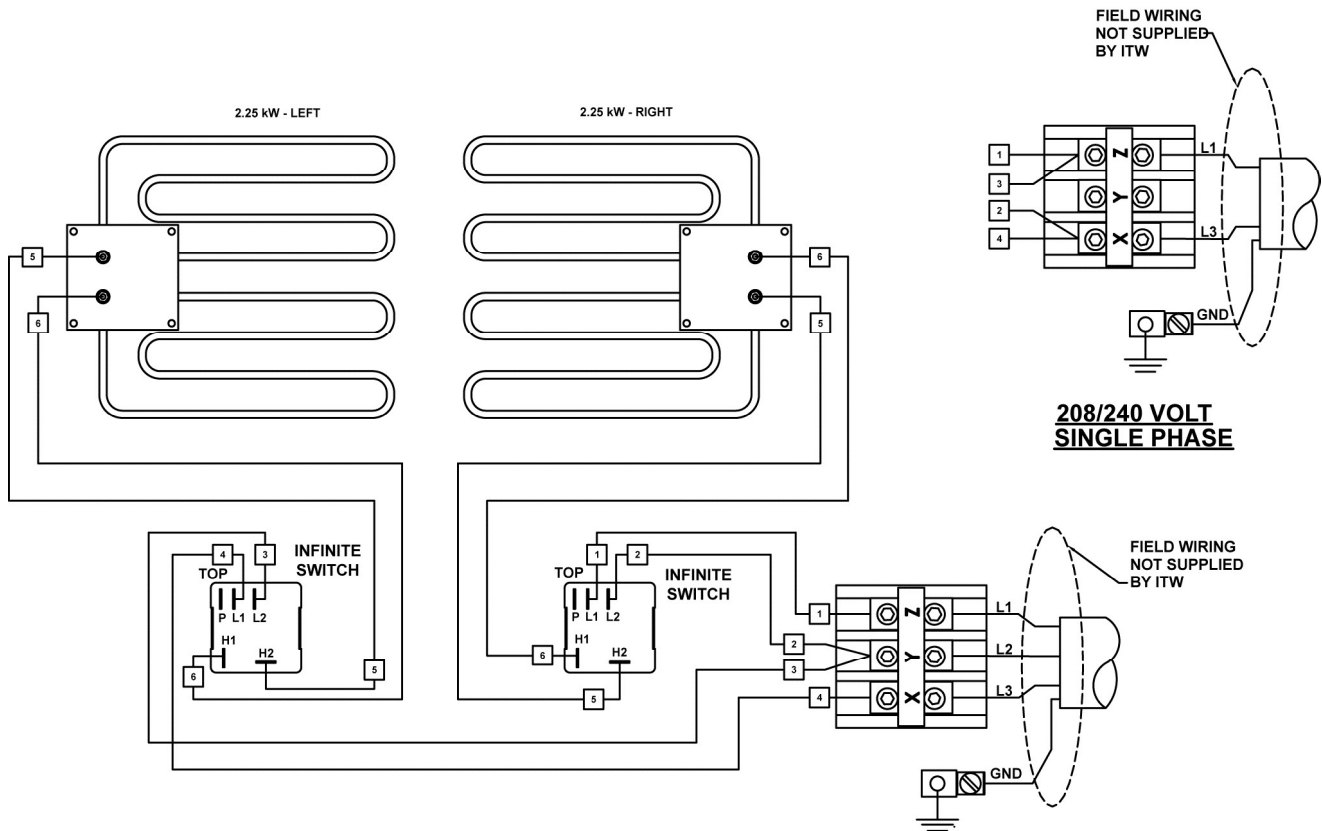


208/240V - WIRING DIAGRAM



MODEL NUMBER	TOTAL CONN. kW	3 PHASE LOADING			NOMINAL AMPS PER PHASE							
		kW PER PHASE			3 PHASE CONNECTION						SINGLE PHASE	
		X-Y	Y-Z	Z-X	208 VOLT			240 VOLT			208 V	240 V
36ESB-208	4.50	2.25	2.25	0.00	X	Y	Z	X	Y	Z	208 V	240 V
36ESB-240	4.50	2.25	2.25	0.00	0.0	0.0	0.0	9.4	16.4	9.4	0.0	18.8

NOTE: CONNECT SUPPLY WIRES (90°C MIN) TO THE BROILER AS SHOWN, IN ACCORDANCE WITH THE NATIONAL ELECTRIC CODE, NFPA No. 70.

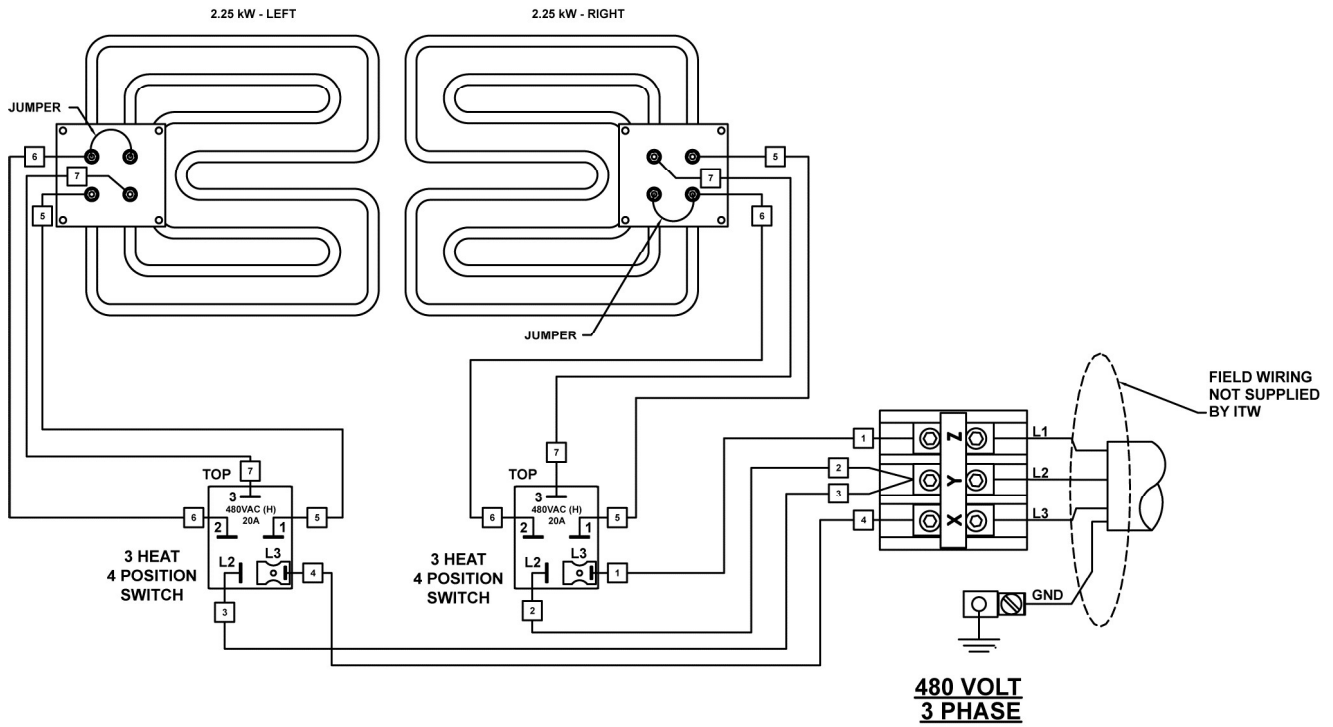
**208/240 VOLT
3 PHASE**

DERIVED FROM:
922778 REV B

MODELS
36ESB - 208
36ESB - 240
AI3829

Fig. 16

480V - WIRING DIAGRAM



MODEL NUMBER	TOTAL CONN. KW	3 PHASE LOADING			NOMINAL AMPS PER PHASE		
		KW PER PHASE	3 PHASE CONNECTION				
			X	Y	Z		
36ESB-480	4.50	X-Y	Y-Z	Z-X	X	Y	Z
		2.25	2.25	0.00	4.9	8.4	4.9

NOTE: CONNECT SUPPLY WIRES (90°C MIN) TO THE BROILER AS SHOWN, IN ACCORDANCE WITH THE NATIONAL ELECTRIC CODE, NFPA No. 70.

DERIVED FROM:
922778 REV B

MODEL
36ESB - 480
AI3830

Fig. 17