

VULCAN

CATALOG OF REPLACEMENT PARTS

MODEL VFB6 ELECTRIC FLASHBAKE OVEN

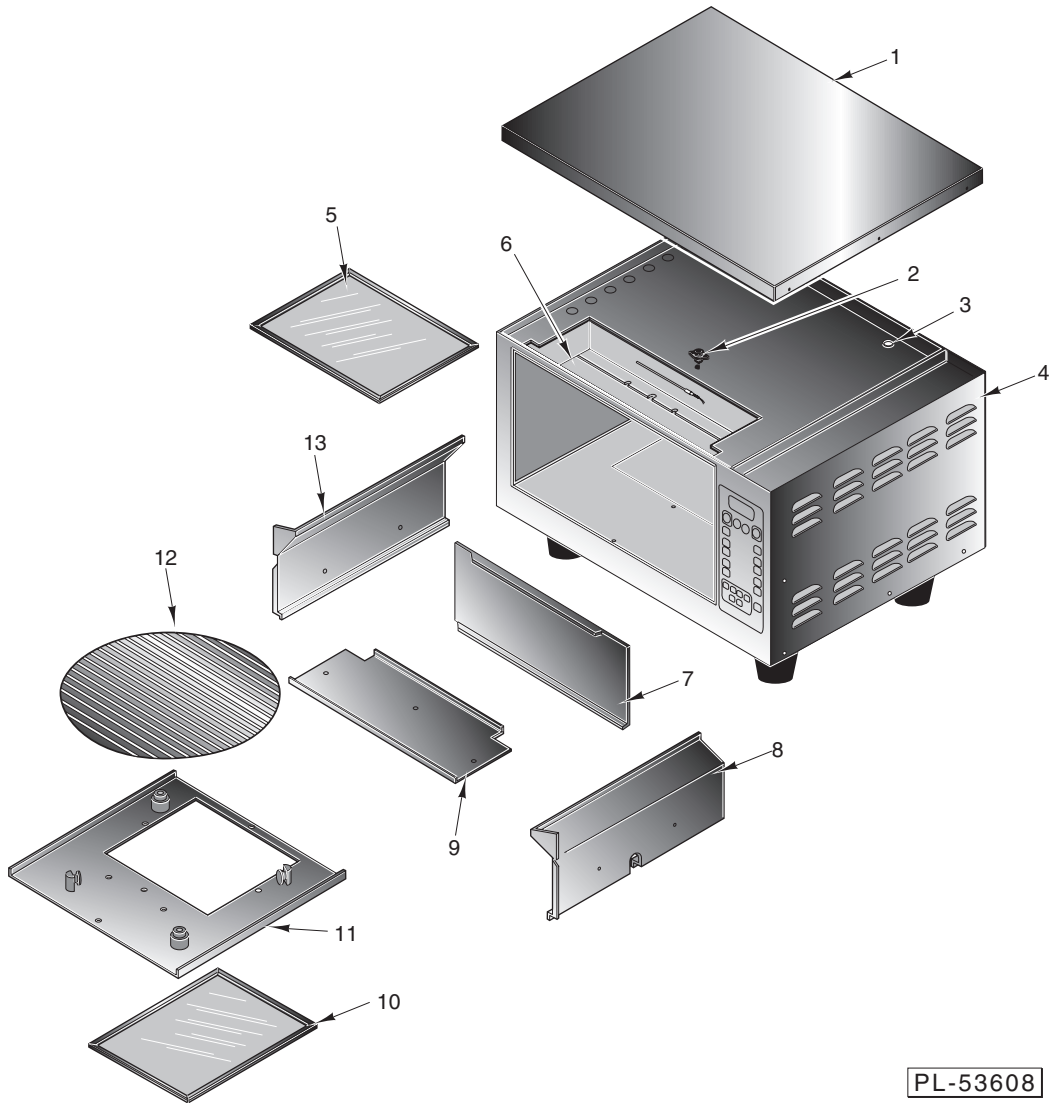
MODELS

*VFB6
VFB6*

*ML-126877 W/POWER CORD
ML-126879 W/O POWER CORD*



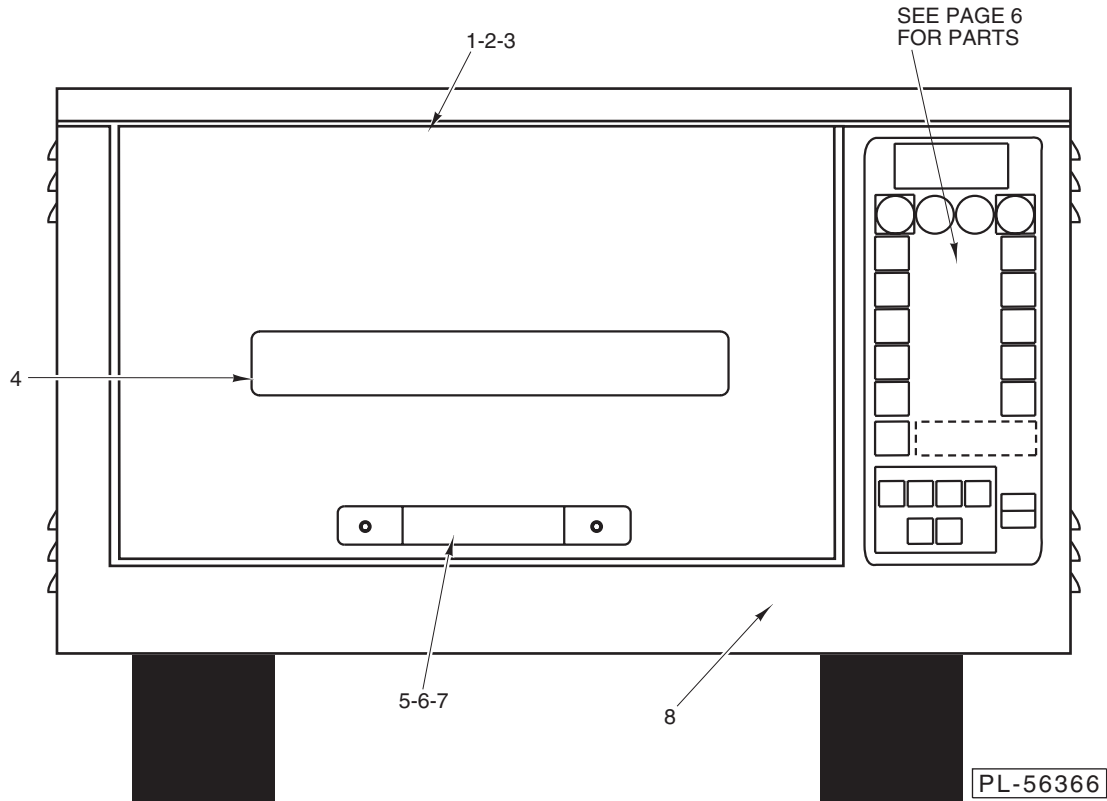
For additional information on Vulcan-Hart Company or to locate an authorized parts and service provider in your area, visit our website at www.vulcanhart.com



CAVITY AND COVERS

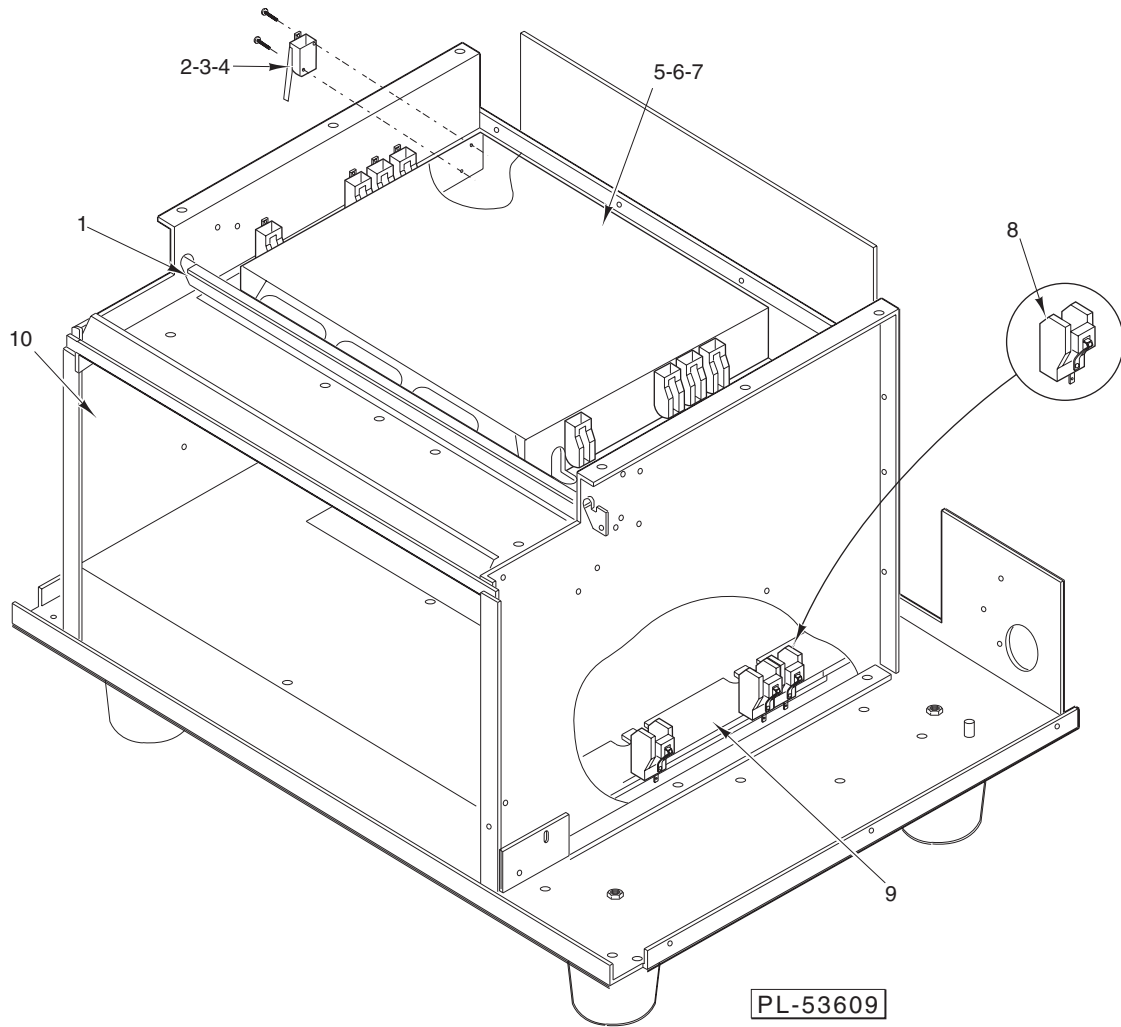
CAVITY AND COVERS

ILLUS.	PART NO.	NAME OF PART	AMT.
PL-52608			
1	00-423970-00001	Panel – Top Cover	1
2	00-425213-00003	Thermostat (160 Deg. F.)	1
3	00-423994-00001	Grommet – Top Plate	1
4	00-423957-00001	Panel – Side	2
5	00-427652-000G1	Kit – Lamp Shield Service	1
6	00-423963-00001	Plate – Top	1
7	00-423953-00001	Cavity – Rear	1
8	00-423965-00001	Cavity – Right	1
9	00-423954-00001	Cavity – Top	1
10	00-423923-000G1	Lower Shield Assy.	1
11	00-423973-000G1	Pulley – Plate Assy.	1
12	00-423922-00001	Grill 16 In. (SST)	1
13	00-423964-00001	Cavity – Left	1
	00-424064-00001	Pan – Flashware 12 In.	1
	00-424065-00001	Pan – Blackbuster 6 In.	1
	00-424065-00002	Pan – Blackbuster 7 In.	1
	00-424065-00003	Pan – Blackbuster 10 In.	1
	00-424065-00004	Pan – Blackbuster 12 In.	1
	00-424065-00005	Pan – Blackbuster 14 In.	1
	00-424065-00006	Pan – Blackbuster 16 In.	1
	00-424066-00001	Pan – Silverstone 12 In.	1
	00-424057-00001	Scraper	1



FRONT DOOR ASSEMBLY

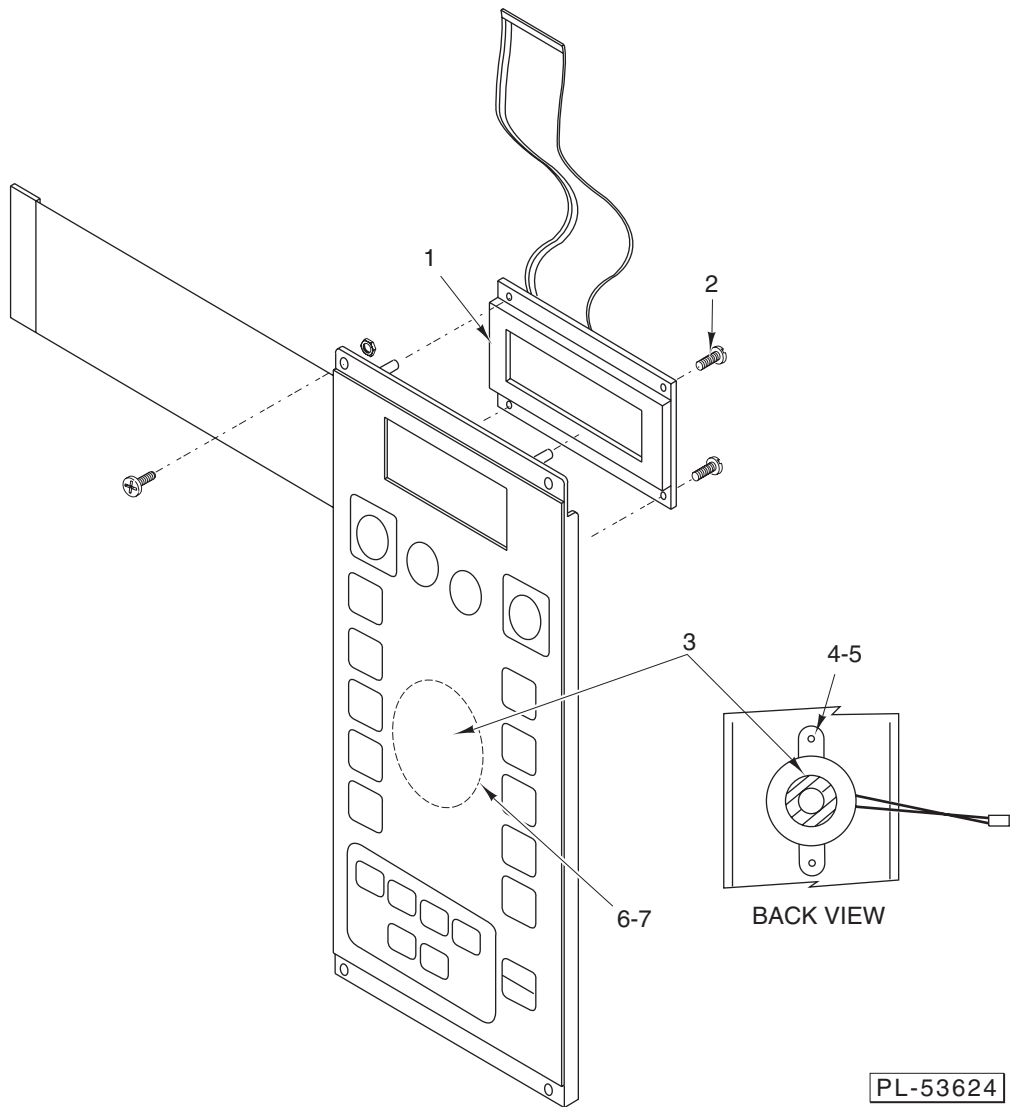
ILLUS.	PART NO.	NAME OF PART	AMT.
PL-56366			
1	00-423967-000G1	Door Weldment	1
2	00-423920-00002	Gasket (19 ¹ / ₄ In. Lg.)	2
3	00-423920-00003	Gasket (9 In. Lg.)	2
4	00-423977-000G1	Bezel Assy. (Incls. Inner & Outer Glass)	1
5	00-424044-00001	Handle Assy.	1
6	SC-040-15	Cap Screw ⁵ / ₁₆ -18 x 1 ¹ / ₄ Soc. Hex Hd.	2
7	00-424051-00001	Clip – Tinnerman (Type 5)	2
8	00-423969-00001	Panel – Front	1
	00-423976-000G1	Front Door Assy. (Incls. Items 1 thru 7)	1



SOCKET BRACKET ASSEMBLY

ILLUS.	PART NO.	NAME OF PART	AMT.
	PL-53609		
1	00-423913-00001	Plate – Door Lock	1
*2	00-854438-00002	Switch – Micro Glass (Mfg. After October 2001)	1
*3	00-854449-00001	Kit – Field Replacement “Glass” Switch (Mfg. Before October 2001)	1
4	SC-018-69	Mach. Screw 4-40 x 3/4 Phil. Pan Hd.	2
5	00-423927-00001	Bracket – Socket (Top & Bottom)	1
6	00-423928-00001	Reflector	1
7	00-424042-00001	Lamp (QH2000 W.)	7
8	00-424043-00001	Socket – Lamp	14
9	00-423927-00001	Bracket – Socket (Top & Bottom)	1
10	00-423958-00002	Support – Left Wall	1

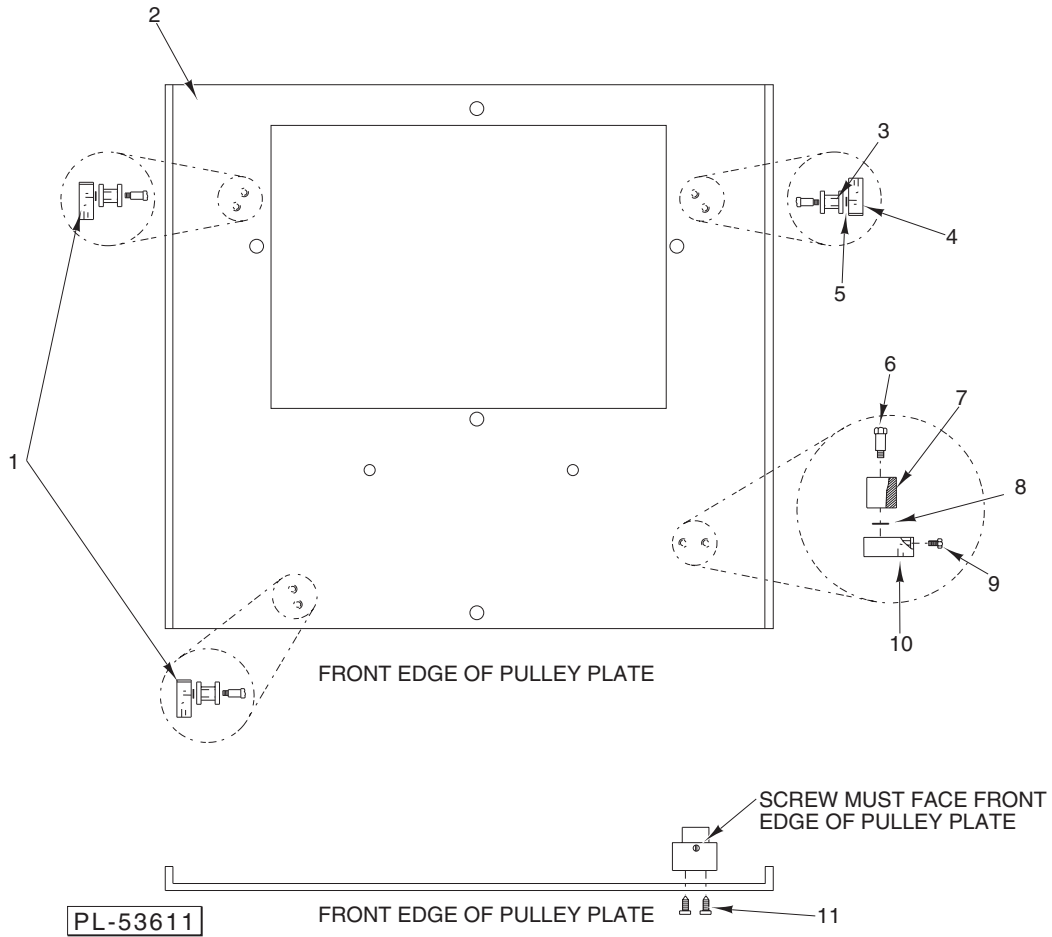
*If Existing Switch is Black or Blue, Use Item 3. If Existing Switch is Brown, Use Item 2.



PL-53624

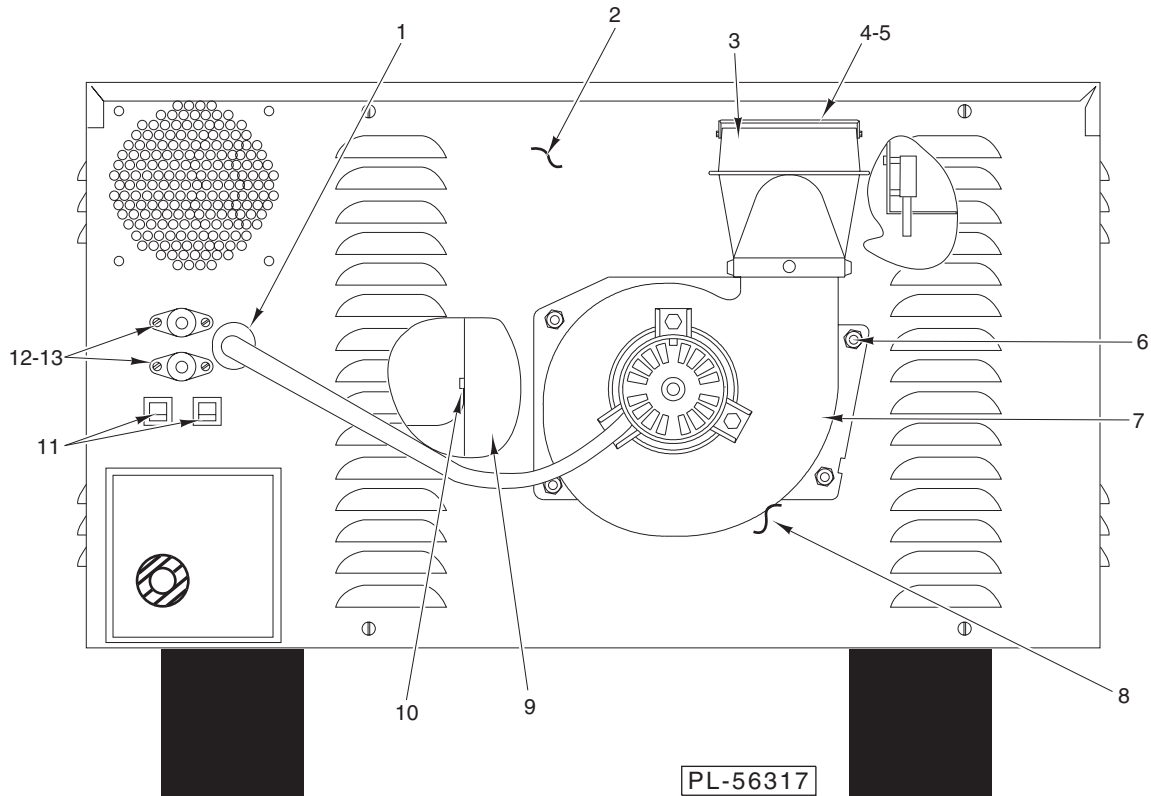
MEMBRANE SWITCH ASSEMBLY

ILLUS.	PART NO.	NAME OF PART	AMT.
PL-53624			
1	00-423896-00001	LCD Display 4 x 20	1
2	00-424084-00001	Mach. Screw 4-40 x 3/8 Pan Hd. Nylon	4
3	00-423888-000G1	Electronic Beeper Assy.	1
4	SC-018-55	Mach. Screw 4-40 x 1/2 Phil. Pan Hd.	2
5	WL-003-03	Lockwasher #4 Medium	2
6	00-427068-00001	Switch – Membrane (Vulcan)	1
7	00-423912-00001	Plate – Membrane Switch	1
	00-427115-000G1	Plate – Membrane Switch (Vulcan) (Incls. Items 1 thru 7)	1



PULLEY PLATE ASSEMBLY

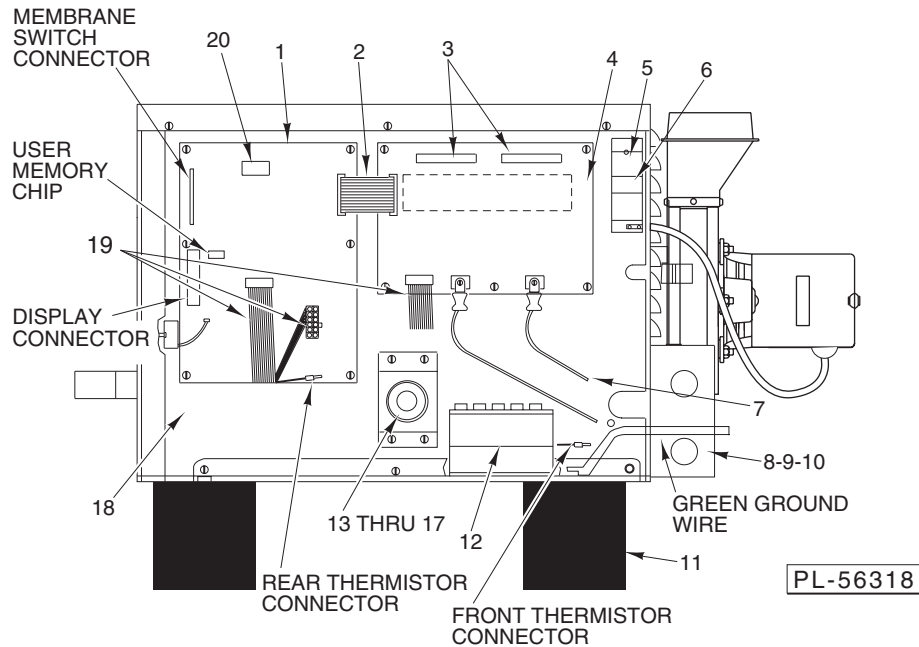
ILLUS.	PART NO.	NAME OF PART	AMT.
PL-53611			
1	00-423882-00001	Support – Roller	2
2	00-423966-00001	Plate – Pulley	1
3	00-423886-000G1	Roller – Long (Incls. 5 mm Bearing)	3
4	00-423883-00001	Support – Roller (Short)	1
5	00-424029-00001	Washer – Flat (Brass)	4
6	00-424035-00001	Shoulder Screw 8-32 x 3/4 (SST)	4
7	00-423884-000G1	Roller – Horizontal (Incls. 5 mm Bearing)	1
8	00-424029-00001	Washer – Flat (Brass)	1
9	SC-114-27	Mach. Screw 8-32 x 1/2 Phil. Pan Hd.	1
10	00-423885-00001	Support – Roller (Horizontal)	1
11	SC-124-05	Mach. Screw 8-32 x 3/8 Phil. Flat Hd.	9



REAR PANEL ASSEMBLY

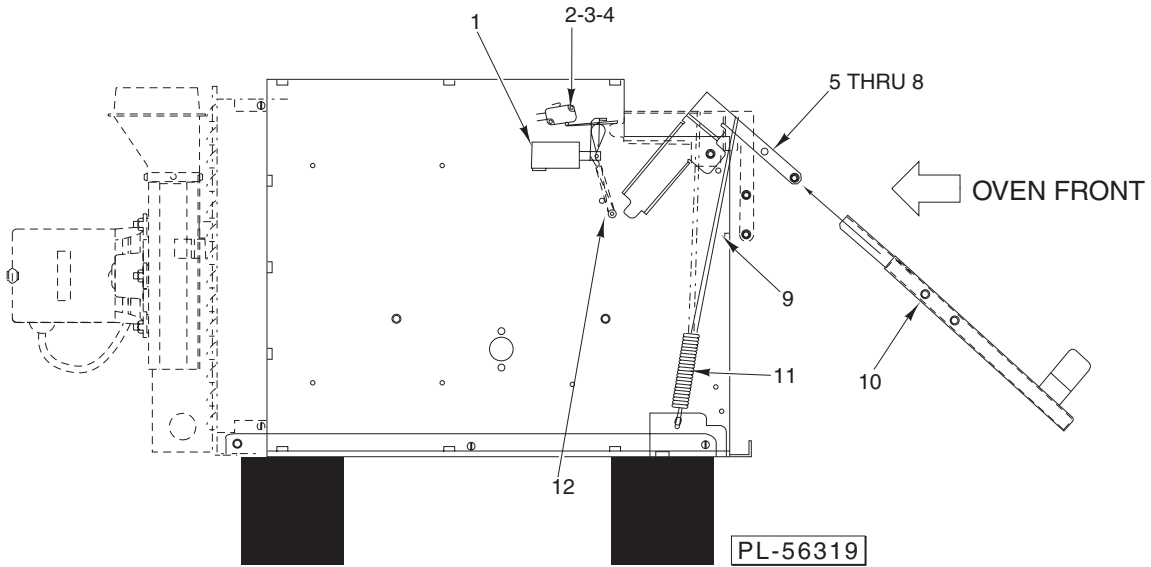
ILLUS.	PART NO.	NAME OF PART	AMT.
	PL-56317		
1	00-423992-00001	Strain – Relief ⁵ / ₈ (Use W/Item 2)	1
*2	00-854448-00001	Panel – Rear	1
*3	00-425198-00002	Vent Adapter	1
*4	00-423784-00001	Guard – Blower Exhaust	1
5	SD-036-03	Self-Tapping Screw 8-18 x ³ / ₈ Hex Washer Hd., Type AB	5
6	NS-046-52	Nut ¹ / ₄ -20 Hex KEPS	4
*7	00-425198-00001	Blower (208/230 V.)	1
*8	00-425205-00001	Gasket – Blower (Between Blower and Rear Panel)	1
*9	00-424019-000G2	Exhaust – Duct Assy. W/Gasket	1
10	00-423892-00001	Thermistor (100K) NTC	2
11	00-423987-00001	Breaker – Circuit (CB1 & CB2)	2
12	00-344138-00004	Fuse Holder (20 Amp.) (600 V.)	2
13	00-423986-00001	Fuse (KTK-R-3)	2

*Must Order Items 2 thru 9 When Replacing Any of These Components on Units Built Prior to Serial No. 271117881 (March 2002) and All Plant 48 Units.



**ELECTRONICS ASSEMBLY
(RH VIEW)**

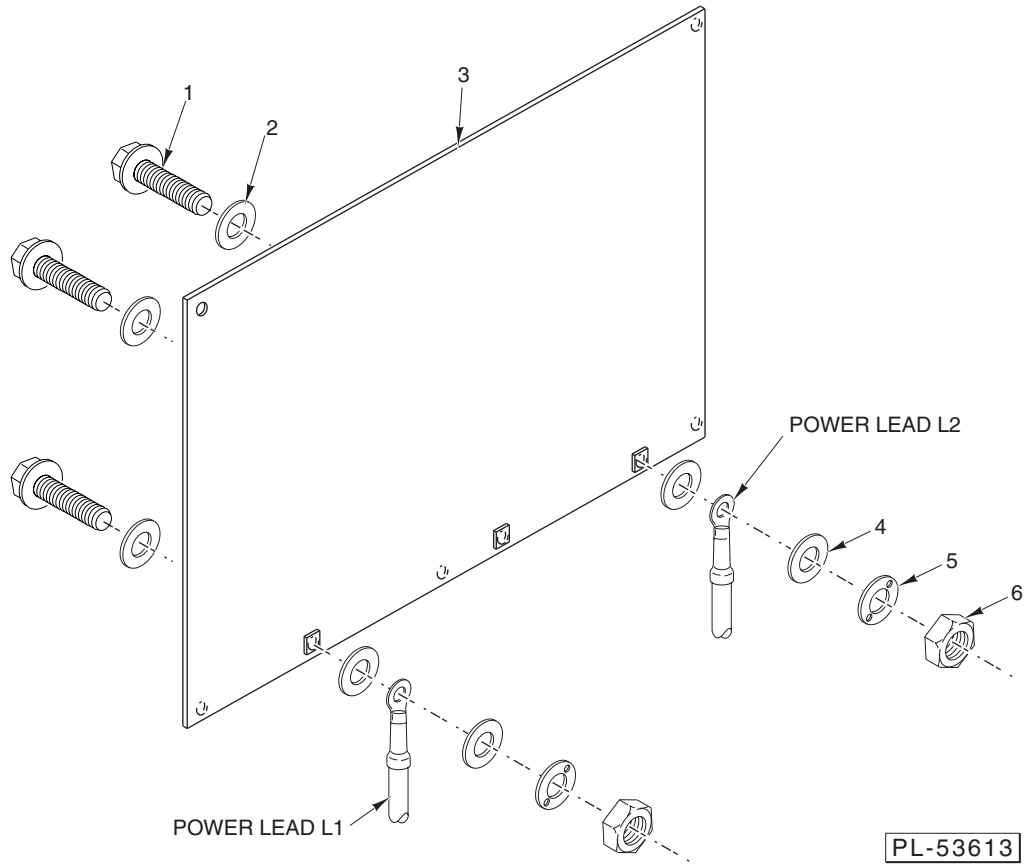
ILLUS. PL-56318	PART NO.	NAME OF PART	AMT.
1	00-423910-00001	PCB – Main (5K)	1
2	00-423895-00001	Ribbon Cable Assy. (5K)	1
3	00-427101-00001	Harness – Lamp	1
4	00-423908-00001	Board – Relay (5K) (1 Ph.)	1
5	00-424403-00001	Board – Photo Detector	2
6	00-424036-00001	Fan (106 CFM) (230 V.)	1
7	00-423925-000G1	Wire Assy. (1 Phase)	1
8	00-424009-00001	J-Box & Cover Assy. (ML-126879)	1
9	00-424009-00002	J-Box & Cover Assy. (ML-126879)	1
10	SA-021-42	Mach. Screw 8-32 x 1/2 Phil. Pan Hd.	2
11	00-423893-00001	Foot – Molded	4
12	00-423904-00001	Transformer 5K	1
13	00-423984-00001	Motor – DC 5K	1
14	00-423955-00001	Bracket – Motor	1
15	00-423880-00001	Shaft – Drive Pulley	1
16	00-423879-00001	Block – Drive Pulley	1
17	SD-036-03	Self-Tapping Screw 8-18 x 3/8 Hex Washer Hd., Type AB	4
18	00-423974-000G3	PCB Wall Assy. (Incls. Items 1, 2, 3, 7, 14, 15, & 20)	1
19	00-423901-00001	Harness – Sensors (5K)	AR
20	00-424050-00011	IC – Prog. (FBO6 to Rev.) (30 Amp.)	1
	00-423038-000G1	Cord – Power	1
	00-850192-00002	Connector – Strain Relief	1



**ELECTRICAL & DOOR HINGE ASSEMBLY
(LEFT SIDE)**

ILLUS.	PART NO.	NAME OF PART	AMT.
	PL-56319		
1	00-423988-00001	Solenoid (DC)	1
	00-854438-00001	Switch – Micro (Mfg. After October 2001)	1
*2	00-854440-00001	Kit – Field Replacement, Door Switch (Mfg. Before October 2001)	1
*3	00-854440-00001	Kit – Field Replacement, Door Switch (Mfg. Before October 2001)	1
4	SC-018-69	Mach. Screw 4-40 x 3/4 Phil. Pan Head	2
5	00-423915-00001	Hinge – Right	1
6	00-423914-00001	Hinge – Left	1
7	00-423878-00001	Spacer – Hinge (Inner)	2
8	00-423881-00001	Spacer – Hinge (Outer)	2
9	00-424024-00001	Bumper – Door Stop (Rubber)	2
10	SC-124-13	Mach. Screw 6-32 x 1/4 Phil. Flat Hd.	4
11	00-424039-00001	Spring – Door	2
12	00-424007-00001	Spring – Lock Plate	2

*If Existing Switch is Black or Blue, Use Item 3. If Existing Switch is Brown, Use Item 2.



SINGLE PHASE RELAY BOARD

ILLUS. PL-53613	PART NO.	NAME OF PART	AMT.
1	SC-114-03	Mach. Screw 10-32 x 1/2 Hex Washer Hd.	2
2	00-424047-00001	Washer – Copper #10	4
3	00-423908-00001	Board – Relay (5K) (1 Ph.)	1
4	WS-029-45	Washer	2
5	00-424083-00001	Washer – Belville #10	2
6	NS-009-30	Mach. Nut 10-32 Hex	2

