

VULCAN

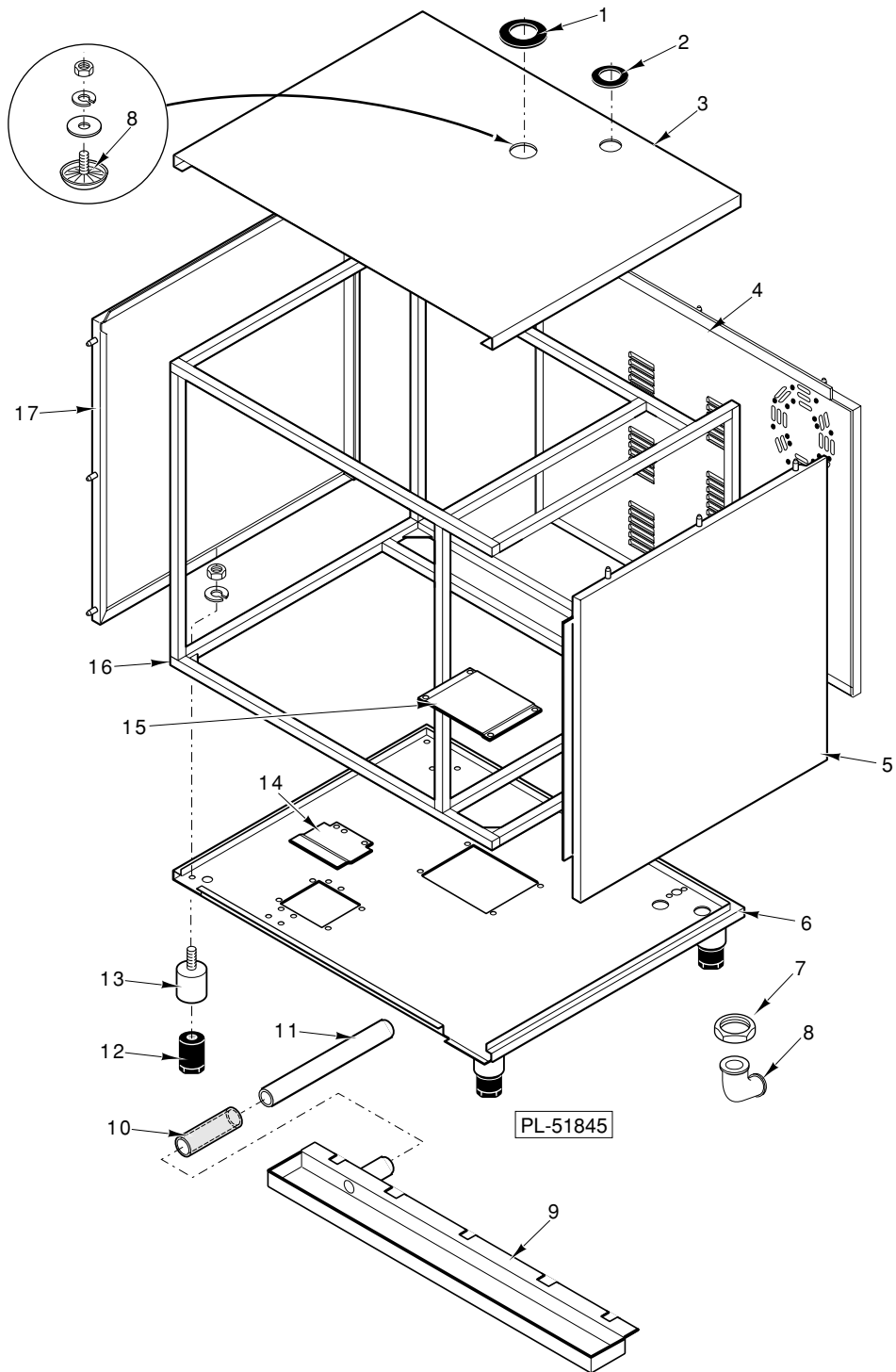
CATALOG OF REPLACEMENT PARTS

HALF SIZE ELECTRIC COMBI OVENS

MODELS

VC6HEP	ML-52434
VC6HE	ML-52429

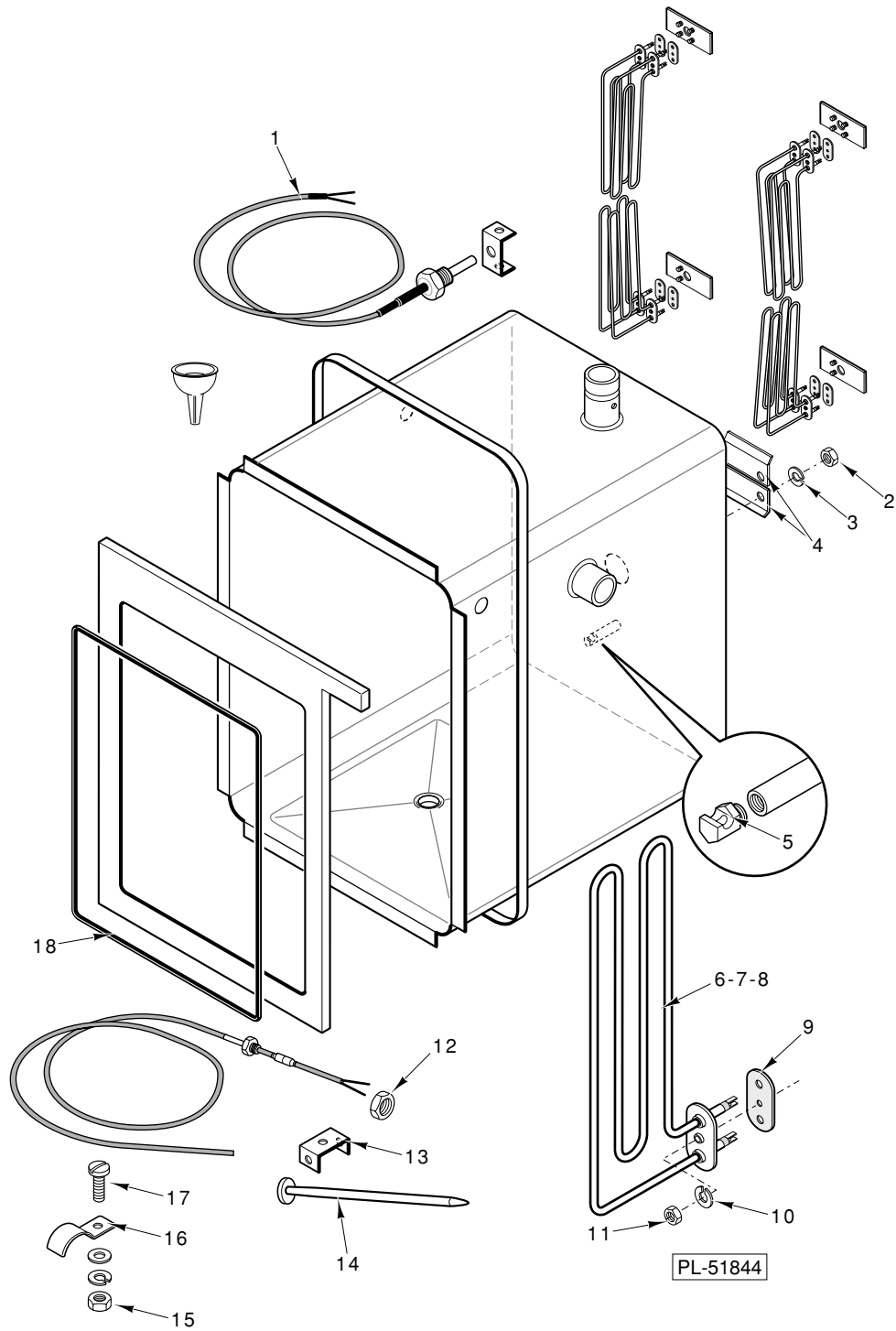




FRAME

FRAME

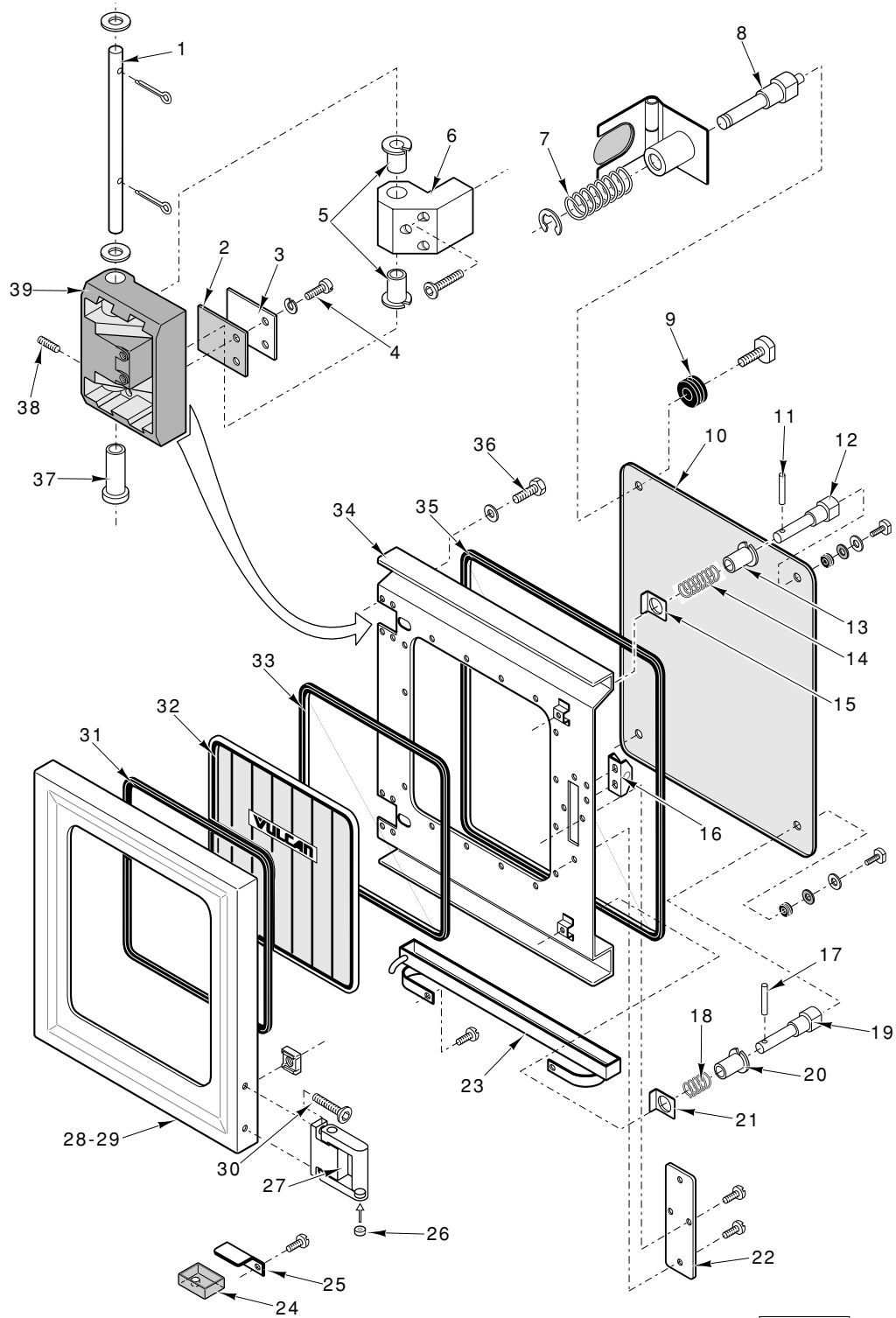
ILLUS. PL-51845	PART NO.	NAME OF PART	AMT.
1	00-492183	Grommet - Compartment Vent	1
2	00-492110	Grommet - Drain Pipe Vent	1
3	00-491994-00001	Panel - Top (6 Level, Half Size)	1
4	00-492081-00001	Panel - Back	1
5	00-492079-00001	Panel - Side RH	1
6	00-491987-00001	Base (6 Level, Half Size)	1
7	00-169045-00005	Nut	1
8	00-492623	Nut Assy.	1
9	00-492474	Gutter - Condensate	1
10	00-492483	Tubing	1
11	00-492475-00002	Pipe	1
12	00-322110	Insert - Plastic	4
13	00-492357	Leg	4
14	00-492481	Cover	1
15	00-491988	Cover	1
16	00-492354-00001	Frame - 6 Level Half Size	1
17	00-492077-00001	Side Panel LH - 6 Level Half Size	1



CAVITY

CAVITY

ILLUS. PL-51844	PART NO.	NAME OF PART	AMT.
1	00-322135	Probe - Temperature (L=2400)	1
2	NS-047-37	Nut - M5 x 0.8 Hex SST	2
3	WL-019-69	Lockwasher - M5 External Shakeproof	2
4	00-322194	Bracket - High Limit Probe	1
5	00-148271	Nozzle - Humidifier	1
6	00-844696-00001	Heater - Cavity (1.5 KW, 208 V)	AR
7	00-233848-00010	Heater - Cavity (1.5 KW, 240 V)(Half Size)	AR
8	00-844696-00005	Heater - Cavity (1.5 KW, 480 V)(Half Size)	AR
9	00-153277	Gasket - Cavity Heater	AR
10	WL-019-69	Lockwasher - M5 External Shakeproof	AR
11	NS-047-37	Nut - M5 x 0.8 Hex SST	AR
12	NS-047-37	Nut - M5 x 0.8 Hex SST	1
13	00-322426	Bracket - Meat Probe	1
14	00-322320-00002	Probe - Meat Thermometer	1
15	NS-200-03	Nut M4 x 0.7 Hex SST	1
16	00-322369	Plate - Screw	1
17	SC-118-42	Cap Screw M4 x 0.7 x 10 mm Hex Hd. SST	1
18	00-492418	Gasket	1

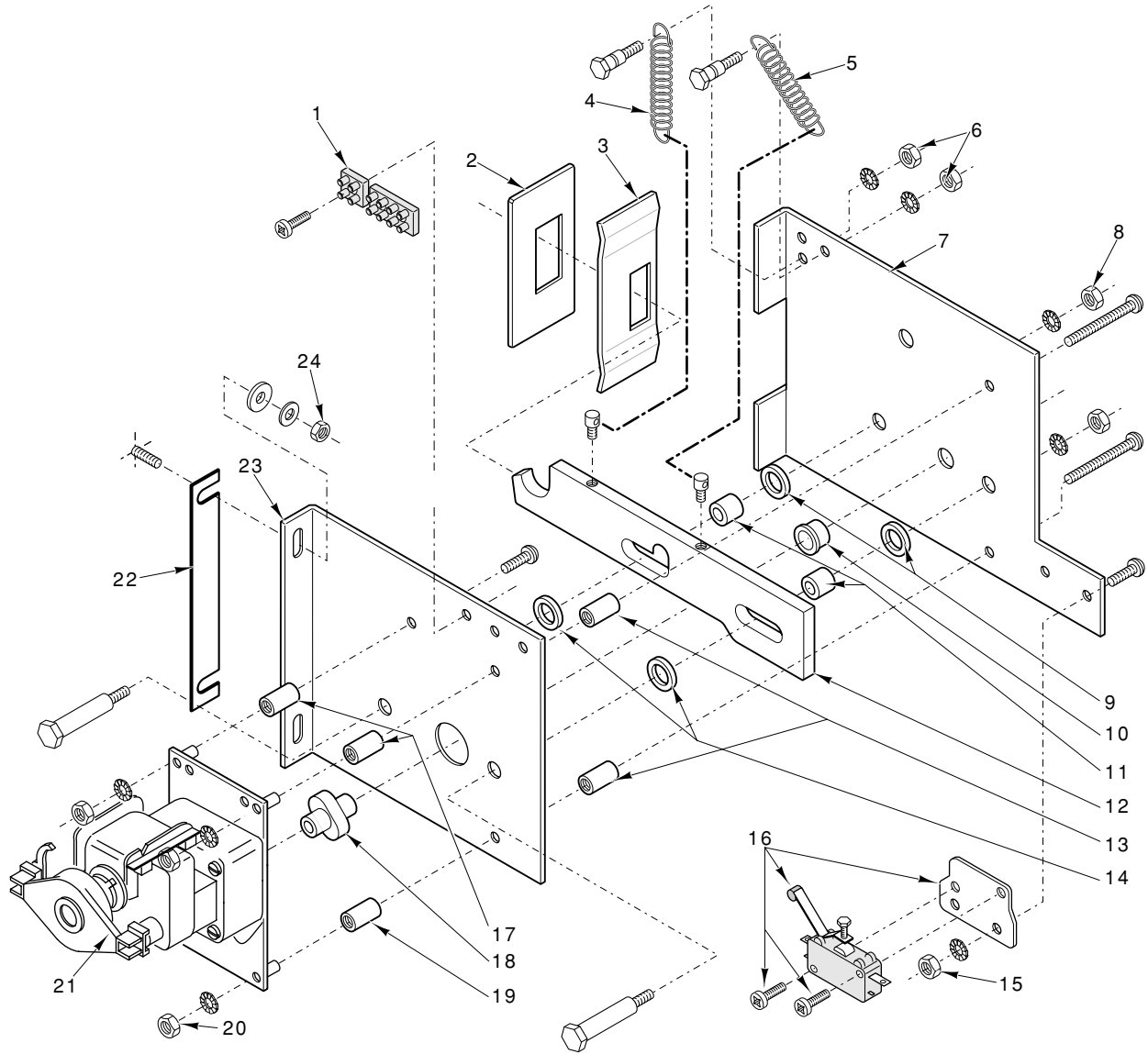


PL-51836

DOOR ASSEMBLY

DOOR ASSEMBLY

ILLUS. PL-51836	PART NO.	NAME OF PART	AMT.
1	00-492145-00002	Pin - Hinge	1
2	00-492148	Spacer - Door	1
3	00-492043	Plate	1
4	SC-200-15	Cap Screw M4 x 0.7 x 10 MM Socket Hex Hd.	2
5	00-844566	Bushing 8 mm	2
6	00-492147	Hinge	1
7	00-492154	Spring	1
8	00-492152	Stud	1
9	00-491760	Gasket	4
10	00-492465	Inner Door Glass	1
11	00-844567	Pin	1
12	00-492436	Shaft	1
13	00-844568	Ring 14mm	1
14	00-492155	Spring	1
15	00-492488	Clip - Door	1
16	00-492380	Catch - Door	1
17	00-844567	Pin	1
18	00-492155	Spring	1
19	00-492436	Shaft	1
20	00-844568	Ring 14mm	1
21	00-492488	Clip - Door	1
22	00-492048	Plate-Cover	1
23	00-492053	Tray - Drip	1
24	00-492440	Tray-Drip	1
25	00-492487	Bracket	1
26	00-170016	Magnet	1
27	00-493487-00001	Handle	1
28	00-493550	Panel - Door Outer	1
29	00-492459	Door-Outer	1
30	SC-121-15	Cap Screw M8 x 16mm Hex Hd.	2
31	00-149915-00002	Joint	1
32	00-491755	Window - External	1
33	00-149915-00002	Joint	1
34	00-492463	Panel - Door Inner	1
35	00-492466	Seal - Inner Door	1
36	SC-121-25	Cap Screw M6 x 12mm Hex Soc. Hd.	AR
37	00-492215	Bushing	1
38	00-844569	Pin	1
39	00-492146	Hinge	1

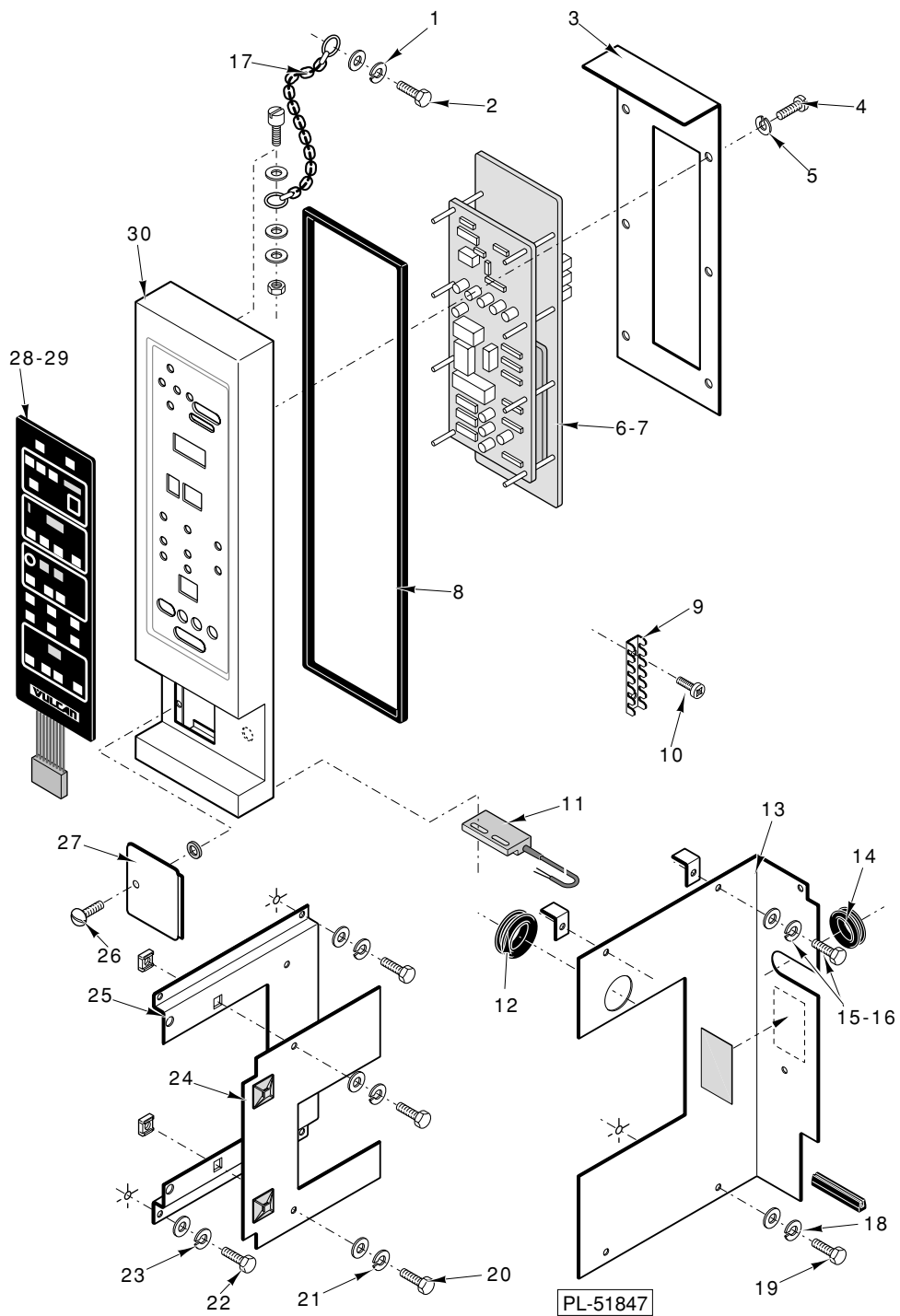


PL-51837

DOOR INTERLOCK ASSEMBLY

DOOR INTERLOCK ASSEMBLY

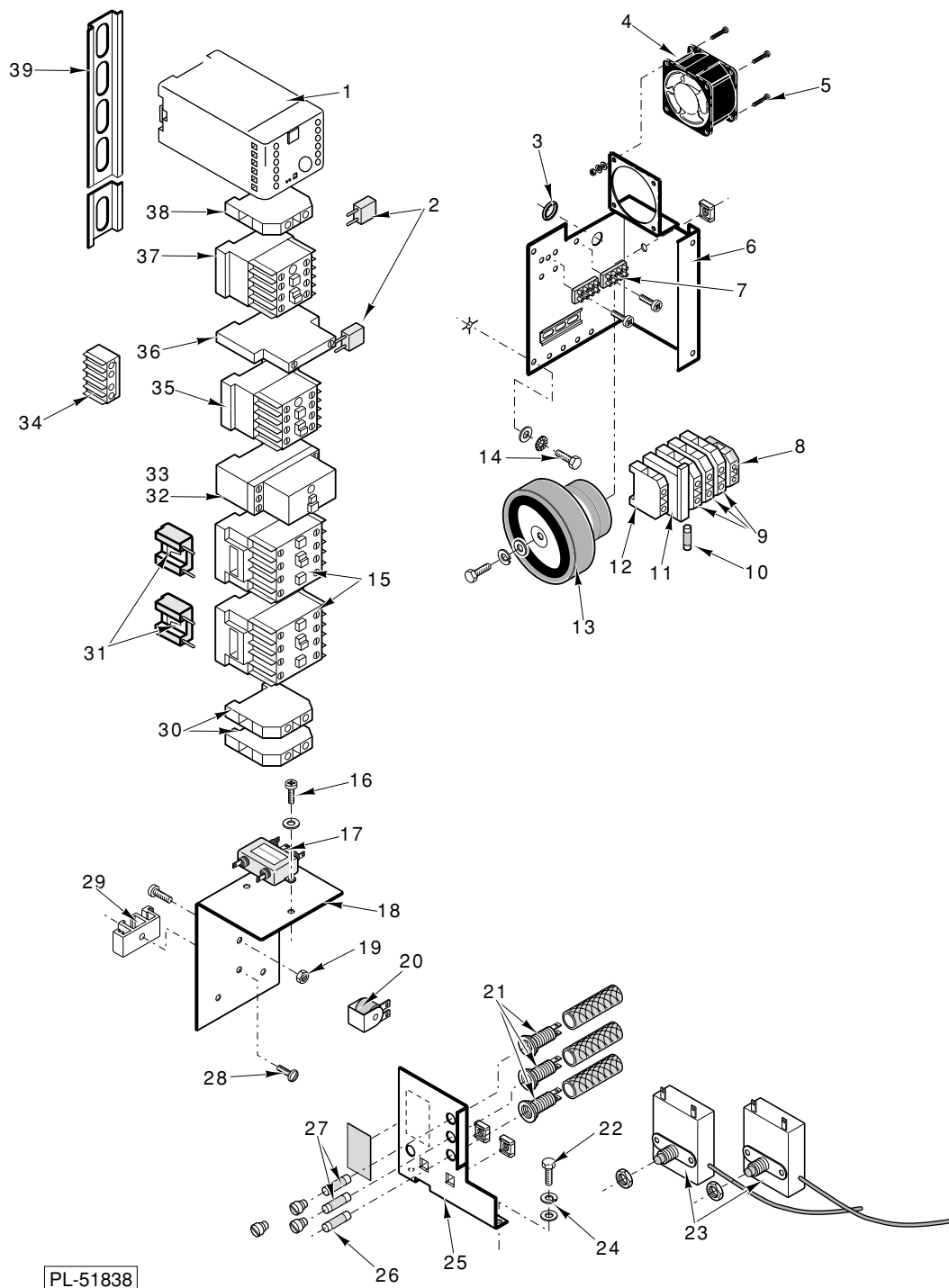
ILLUS. PL-51837	PART NO.	NAME OF PART	AMT.
1	00-492173	Block - Terminal	1
2	00-492916	Plate	1
3	00-492968	Plate	1
4	00-491985	Spring - Tension	1
5	00-491985	Spring - Tension	1
6	NS-047-37	Nut - M5 x 0.8 Hex SST	2
7	00-492365	Plate	1
8	NS-200-03	Nut M4 x 0.7 Hex SST	2
9	00-492423	Washer	2
10	00-492114	Bushing	1
11	00-492424	Spacer	2
12	00-492420	Hook	1
13	00-492425	Spacer	2
14	00-492423	Washer	2
15	NS-200-03	Nut M4 x 0.7 Hex SST	2
16	00-492430	Microswitch	1
17	00-492426	Spacer	2
18	00-493038	Cam 6 mm Hole	1
19	00-492426	Spacer	4
20	NS-200-03	Nut M4 x 0.7 Hex SST	4
21	00-492428	Motor - Door Closing	1
22	00-492011	Spacer Plate	1
23	00-492366	Plate	1
24	NS-047-37	Nut - M5 x 0.8 Hex SST	2



ELECTRONIC CONTROLS

ELECTRONIC CONTROLS

ILLUS. PL-51847	PART NO.	NAME OF PART	AMT.
1	WL-019-69	Lockwasher - M5 External Shakeproof	1
2	SC-121-41	Screw	1
3	00-492622	Plate	1
4	SC-121-30	Mach. Screw M4 x o.7 x 8 MM Phil. Pan Hd. (Plastic)	6
5	WL-019-69	Lockwasher - M5 External Shakeproof	6
6	00-492771-00001	Controller - Programmable Electronic Control Board	1
7	00-492771-00002	Controller - Electrical Control Board (Programmable)	1
8	00-492444	Gasket - Front Panel	1
9	00-491984	Terminal - Male Stationary .25 x 14	1
10	SC-118-28	Mach. Screw M4 x 12 Pan Hd.	1
11	00-297980-00003	Switch - Reed Interlock	1
12	00-492189	Grommet	1
13	00-492367-00001	Panel-Mounting	1
14	00-492189	Grommet	1
15	SC-119-02	Cap Screw M5 x 0.8 x 10 mm Hex Hd. SST	2
16	WL-019-69	Lockwasher - M5 External Shakeproof	2
17	00-149940-00052	Cable Restraint - Control Panel.....	1
18	WL-019-69	Lockwasher - M5 External Shakeproof	4
19	SC-119-02	Cap Screw M5 x 0.8 x 10 mm Hex Hd. SST	4
20	SC-119-02	Cap Screw M5 x 0.8 x 10 mm Hex Hd. SST	2
21	WL-019-69	Lockwasher - M5 External Shakeproof	2
22	SC-119-02	Cap Screw M5 x 0.8 x 10 mm Hex Hd. SST	1
23	WL-019-69	Lockwasher - M5 External Shakeproof	1
24	00-492611	Cover - Door Closing Mechanism SST	1
25	00-492609	Plate	1
26	SC-119-02	Cap Screw M5 x 0.8 x 10 mm Hex Hd. SST	1
27	00-492395	Panel - Fuse Access	1
28	00-492596	Control-Panel	1
29	00-492441	Control-Panel	1
30	00-492344	Panel-Control	1

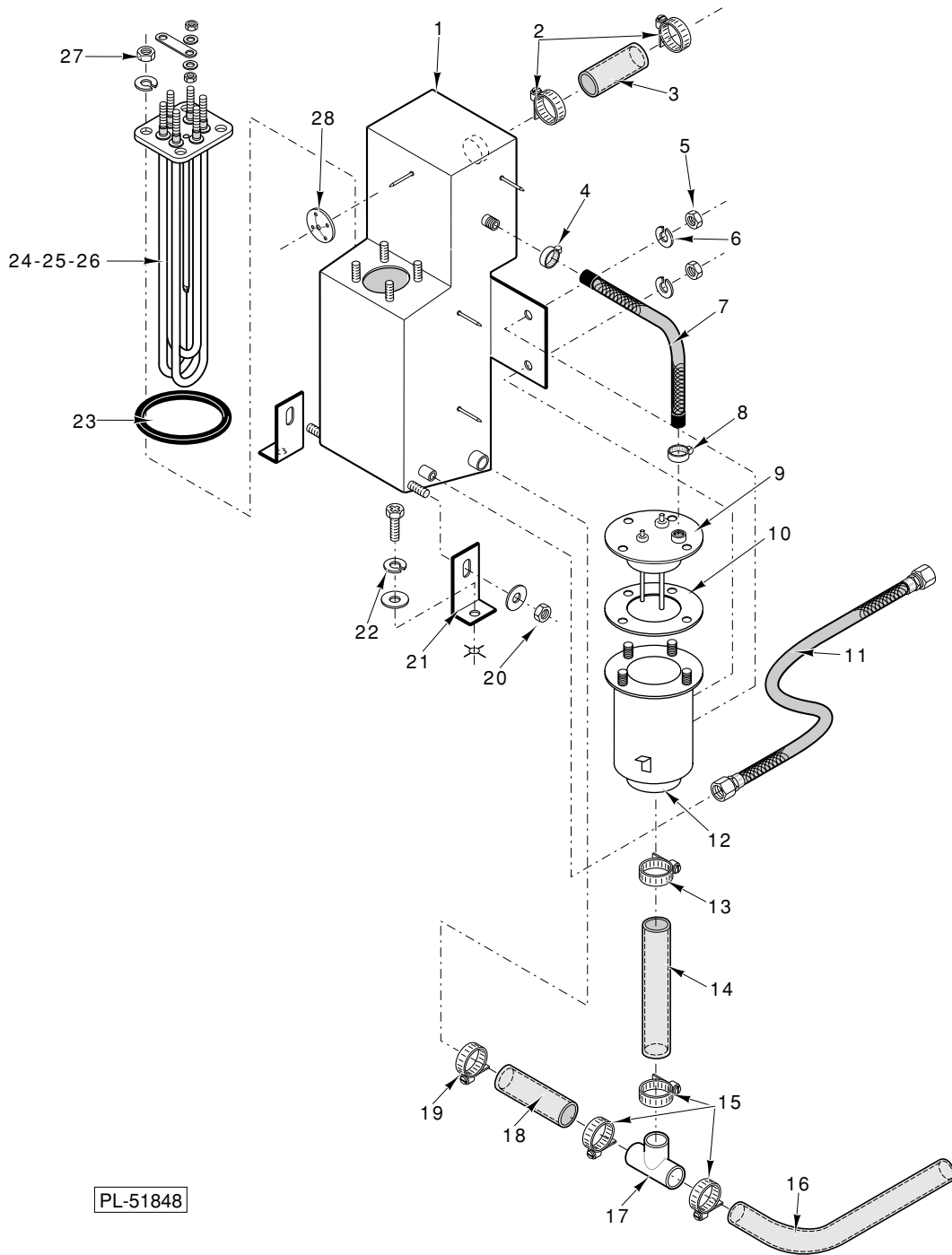


PL-51838

ELECTRICAL CONNECTIONS

ELECTRICAL CONNECTIONS

ILLUS. PL-51838	PART NO.	NAME OF PART	AMT.
1	00-844583	Control - Water Level	1
2	00-492177	RC Device	2
3	00-492189	Grommet	1
4	00-492994	Fan - Compartment Cooling	1
5	SC-118-42	Cap Screw M4 x 0.7 x 10 mm Hex Hd. SST	4
6	00-492370	Bracket	1
7	00-492173	Block - Terminal	2
8	00-229613-00001	Block-Terminal	1
9	00-229612-00001	Block-Terminal	3
10	00-300099-00001	Fuse - 0.5 Amp (5 x 20mm GMA)	1
11	00-167938	Block - Terminal Fuseholder	1
12	00-228428	Stop - End	1
13	00-491765-00001	Transformer	1
14	SC-119-02	Cap Screw M5 x 0.8 x 10 mm Hex Hd. SST	2
15	00-492197-00001	Contactoer	2
16	SC-118-42	Cap Screw M4 x 0.7 x 10 mm Hex Hd. SST	2
17	00-322281-00001	Filter - Line (Corcom)	1
18	00-492458	Bracket	1
19	NS-047-47	Full Nut M3 Hex	1
20	00-173864	Buzzer	1
21	00-492186	Fuseholder	3
22	SC-120-49	Cap Screw M5 x 0.8 x 20mm Hex Hd.	2
23	00-492105	Thermostat - High Limit	2
24	WL-019-69	Lockwasher - M5 External Shakeproof	2
25	00-492383	Bracket	1
26	00-152480-00021	Fuse 2 Amp	1
27	00-152480-00022	Fuse 6.3 Amp	2
28	SC-200-16	Cap Screw M4 x 0.76 x 8mm Socket Hex Hd.	1
29	00-492431	Adapter - Din Rail	1
30	00-228428	Stop - End	2
31	00-322848	RC Device	2
32	00-228717-00001	Protector-Motor	1
33	00-228717-00006	Protector-Motor	1
34	00-493588-00001	Block-Terminal	1
35	00-149949-00002	Contactoer-Auxiliary	1
36	00-148393-00001	Contacts - Auxiliary Motor Protection Relay	1
37	00-493015-00001	Contactoer - Door Motor	1
38	00-228428	Stop - End	1
39	00-135919-00031	Bracket	1

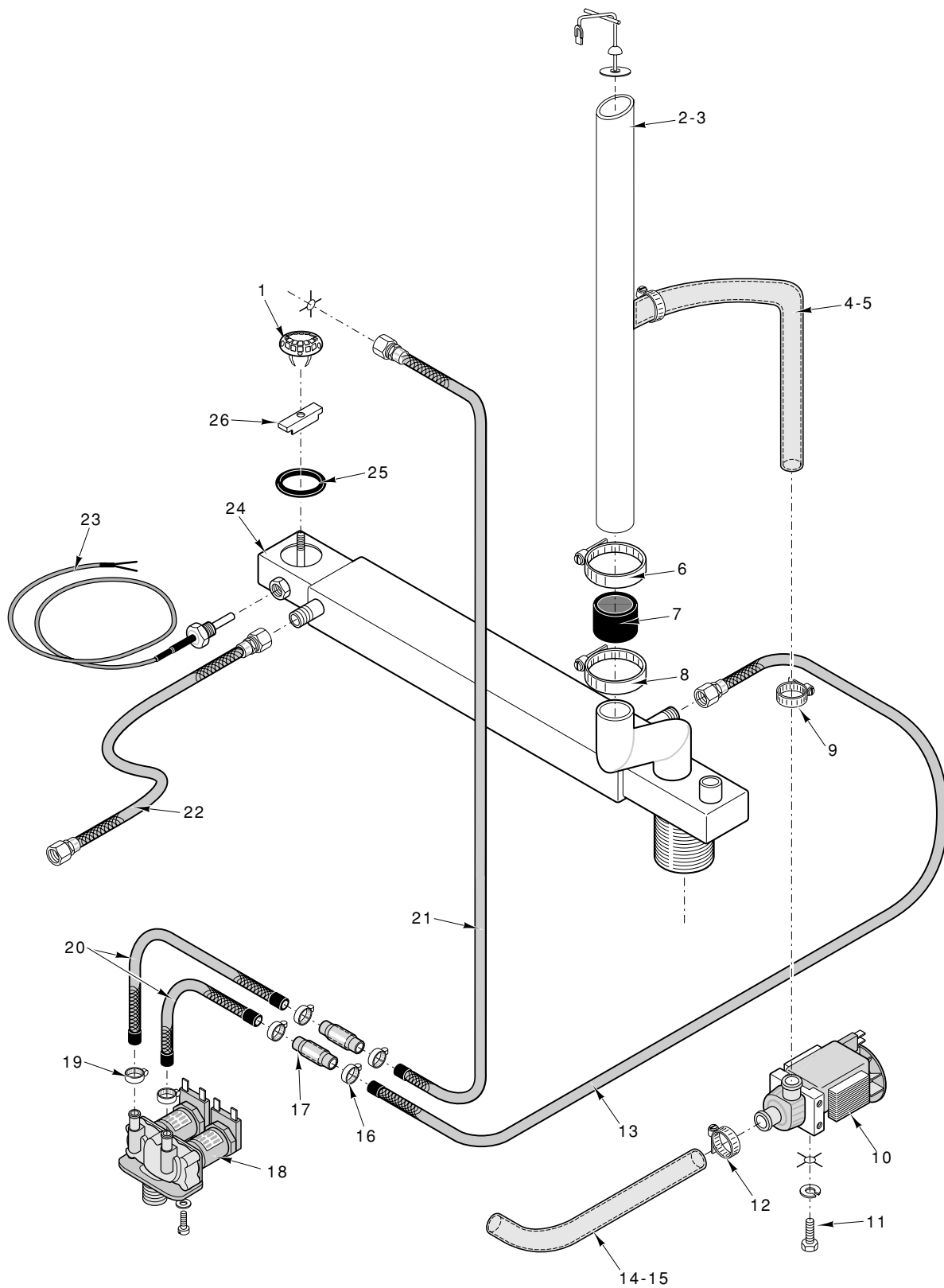


PL-51848

BOILER HEATER

BOILER HEATER

ILLUS. PL-51848	PART NO.	NAME OF PART	AMT.
1	00-492612	Boiler	1
2	00-149978-00001	Clamp - Hose (Worm, 25 mm Dia.)	2
3	00-492144-00007	Hose (25 mm Dia. T-Fitting)	1
4	00-844570	Clamp-Hose	1
5	NS-047-37	Nut - M5 x 0.8 Hex SST	2
6	WL-019-69	Lockwasher - M5 External Shakeproof	2
7	00-492117-00002	Tube	1
8	00-844570	Clamp-Hose	1
9	00-844721	Cover - Water Level W/Electrodes	1
10	00-844571	Gasket - Water Level Cannister	1
11	00-322260-00001	Hose-Boiler to Boiler Preheater (900 mm Lg)	1
12	00-844572	Can - Water Level Cannister	1
13	00-149978-00001	Clamp - Hose (Worm, 25 mm Dia.)	1
14	00-492144-00010	Hose (T-Fitting, 25 mm Dia.)	1
15	00-149978-00001	Clamp - Hose (Worm, 25 mm Dia.)	3
16	00-492144-00005	Hose 25mm Dia T-Fitting-Pump to Boiler	1
17	00-492195	Tee (25 mm)	1
18	00-492144-00007	Hose (25 mm Dia. T-Fitting)	1
19	00-149978-00001	Clamp - Hose (Worm, 25 mm Dia.)	1
20	NS-047-37	Nut - M5 x 0.8 Hex SST	1
21	00-492806	Bracket	1
22	WL-019-69	Lockwasher - M5 External Shakeproof	1
23	00-233982-00001	O Ring-Boiler Heater Seal	1
24	00-844695-00001	Heat - Boiler (8 KW, 208 V.)	1
25	00-491771-00001	Heater - Boiler (8 KW, 240 V)	1
26	00-844695-00003	Heater - Boiler (8 KW, 480 V)	1
27	NS-047-36	Nut m8	1
28	00-233924-00001	Retainer-Insulation (Press On)	AR

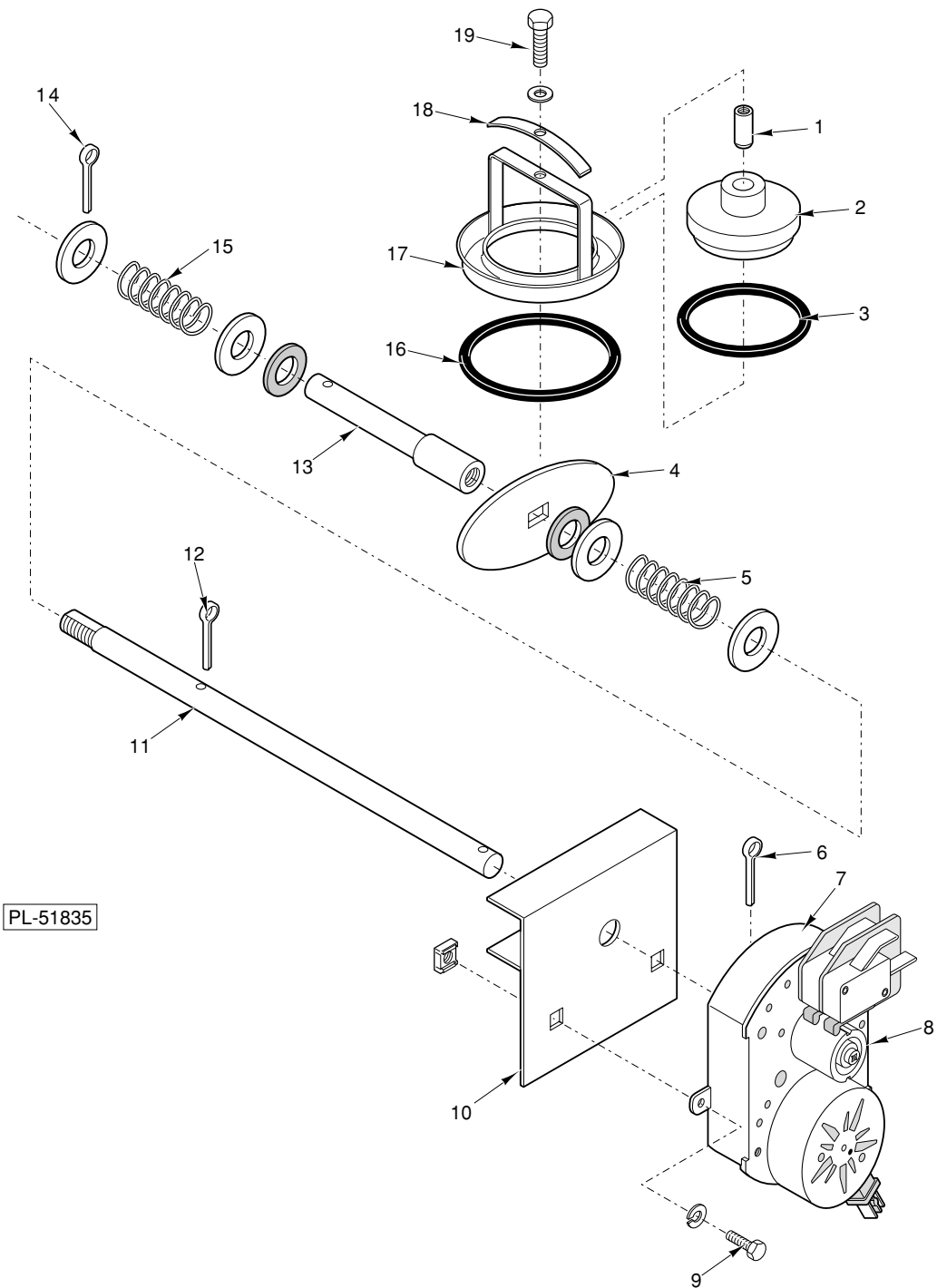


PL-51841

PIPEWORK & DRAIN

PIPEWORK & DRAIN

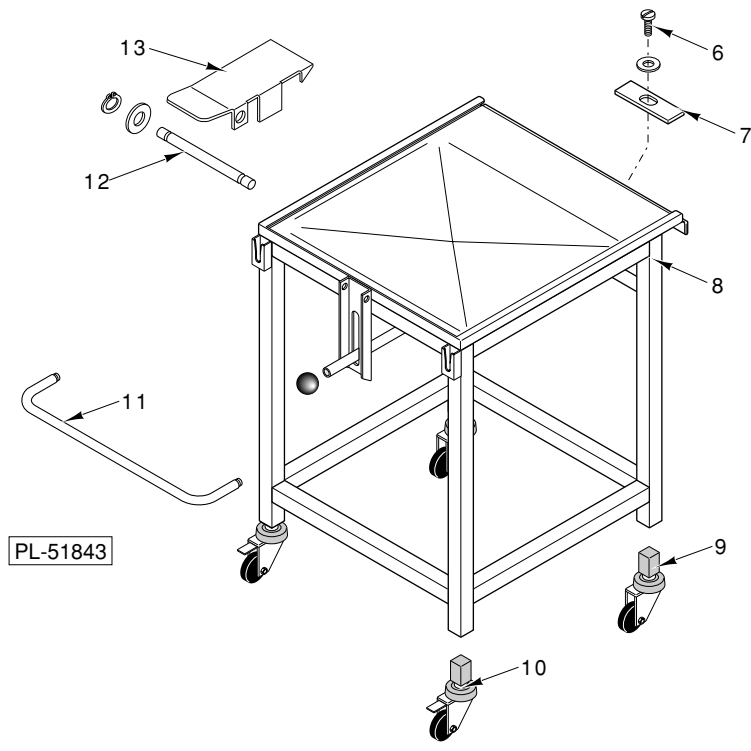
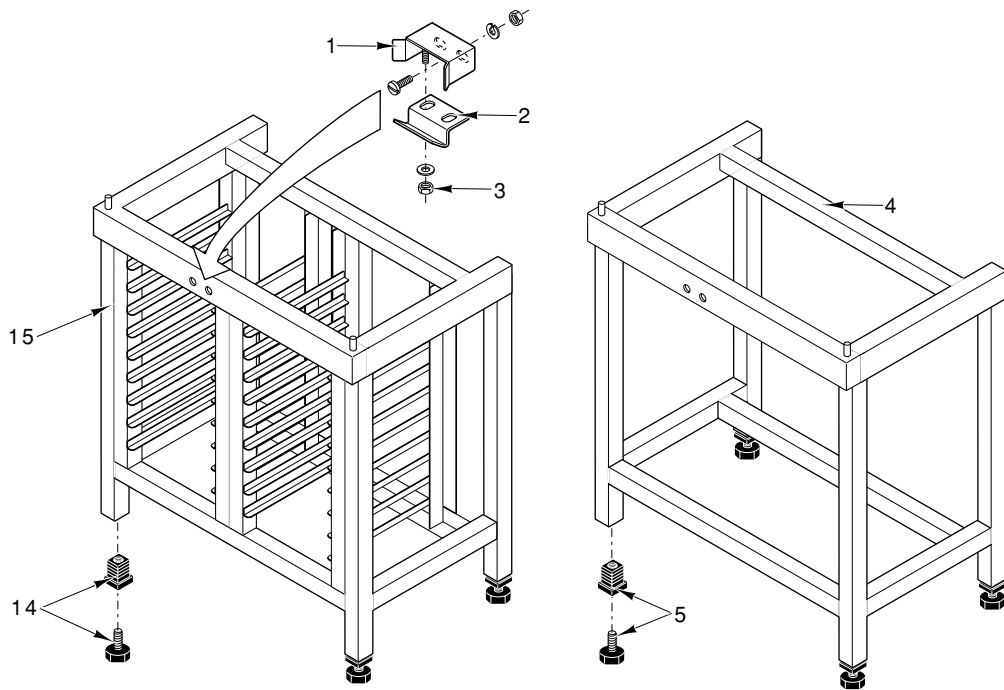
ILLUS. PL-51841	PART NO.	NAME OF PART	AMT.
1	00-493542	Knob	1
2	00-492412-00001	Tube	1
3	00-492412-00003	Tube - Drain Vent	1
4	00-492144-00004	Hose	1
5	00-492144-00003	Tube-Covisil Drain to Pump	1
6	00-844575	Clamp-Hose	1
7	00-492202	Tube - Drain Vent Connector	1
8	00-844575	Clamp-Hose	1
9	00-149978-00001	Clamp - Hose (Worm, 25 mm Dia.)	1
10	00-491754-00001	Pump-Boiler Drain	1
11	SC-118-58	Cap Screw M6 x 1.0 x 12mm Hex Hd.	1
12	00-149978-00001	Clamp - Hose (Worm, 25 mm Dia.)	1
13	00-322137-00005	Hose-Solenoid to Drain	1
14	00-492144-00006	Hose	1
15	00-492144-00005	Hose 25mm Dia T-Fitting-Pump to Boiler	1
16	00-844570	Clamp-Hose	4
17	00-491751	Valve - Check	2
18	00-492413	Solenoid Valve (Water Inlet)	1
19	00-844570	Clamp-Hose	2
20	00-492117-00003	Hose-Solenoid Valve to Back Flow	2
21	00-322137-00006	Hose-Backflow to Injector	1
22	00-322260-00001	Hose-Boiler to Boiler Preheater (900 mm Lg)	1
23	00-322135	Probe - Temperature (L=2400)	1
24	00-844750	Drain Tube Assy. W/Integral Boiler Pre-Heater	1
25	00-233982-00006	O Ring	1
26	00-493544	Bracket - Interior Drain Strain	1



VENT

VENT

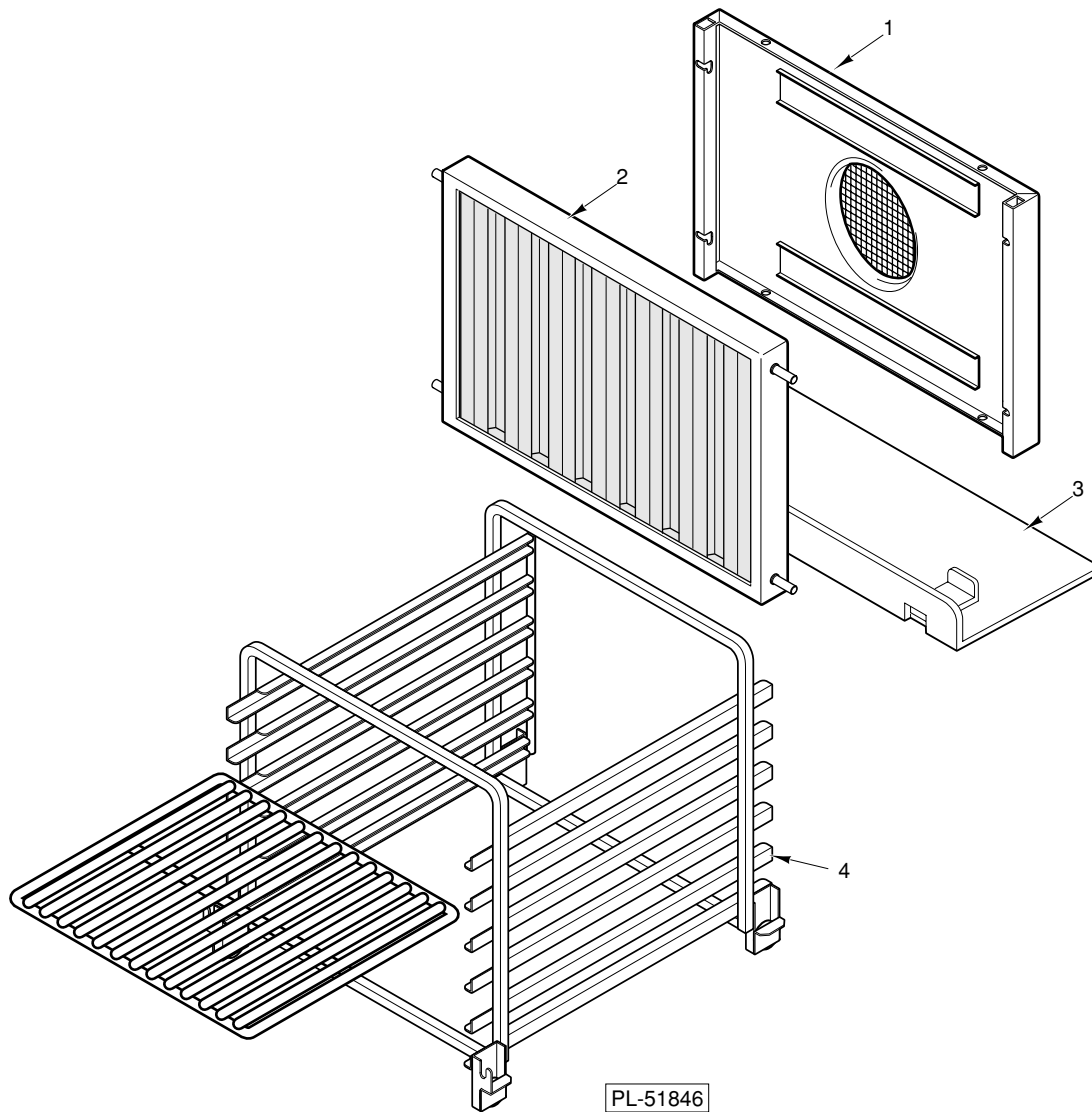
ILLUS. PL-51835	PART NO.	NAME OF PART	AMT.
1	00-322061	Shaft - Guide	1
2	00-152972	Vent	1
3	00-233982-00004	O-Ring	1
4	00-233955	Disc	1
5	00-322083	Spring	1
6	00-602884	Pin - Cotter	1
7	00-233979-00001	Motor - Fan	1
8	00-322064	Cam	1
9	SC-119-02	Cap Screw M5 x 0.8 x 10 mm Hex Hd. SST	2
10	00-491991	Plate	1
11	00-492103	Shaft - Drive	1
12	00-602884	Pin - Cotter	1
13	00-492107	Pipe	1
14	00-602884	Pin - Cotter	1
15	00-322083	Spring	1
16	00-233982-00005	O-Ring	1
17	00-322127	Housing	1
18	00-322303	Spring	1
19	SC-120-49	Cap Screw M5 x 0.8 x 20mm Hex Hd.	1



TABLES

TABLES

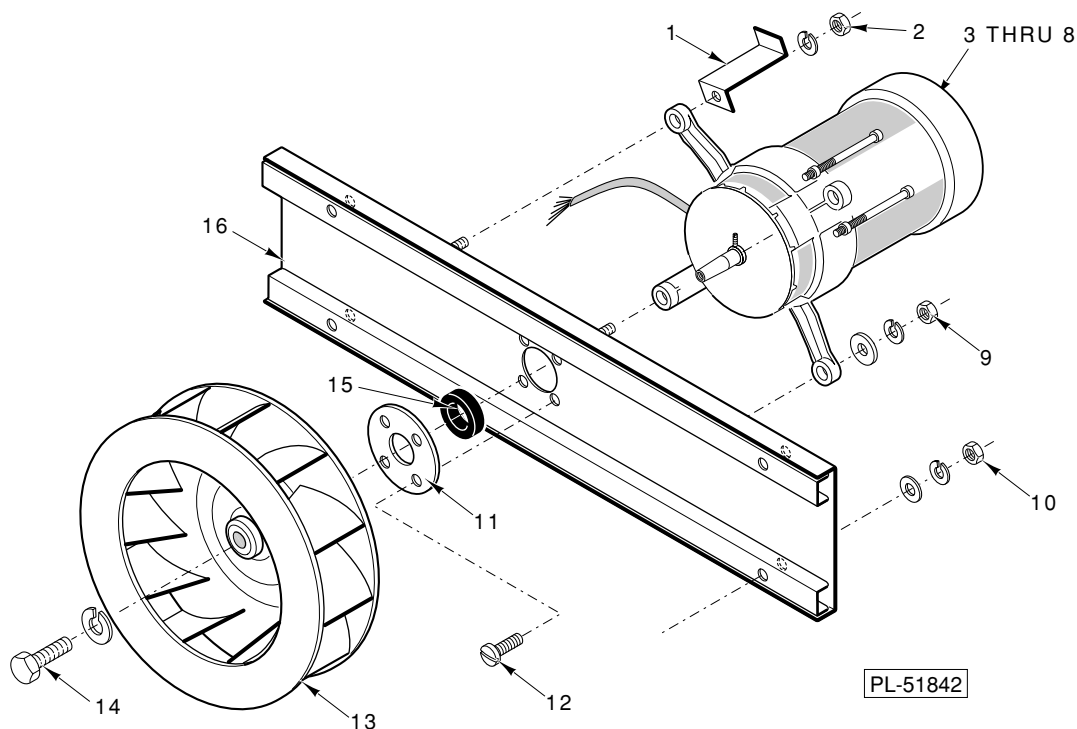
ILLUS. PL-51843	PART NO.	NAME OF PART	AMT.
1	00-322289	Bracket	1
2	00-322287	Bracket	1
3	NS-047-13	Nut - M6 x 1.0 Hex SST	2
4	00-371193-00002	Frame Assy.	1
5	00-170191	Foot Assy.	4
6	SC-200-16	Cap Screw M4 x 0.76 x 8mm Socket Hex Hd.	1
7	00-322290	Plate	1
8	00-322385	Frame	1
9	00-322228-00003	Caster	2
10	00-322228-00004	Caster W/Brake	2
11	00-322388	Handle	1
12	00-322279	Rod	1
13	00-322277	Cover	1
14	00-170191	Foot Assy.	4
15	00-371193-00001	Frame Assy.	1



FILTER

FILTER

ILLUS. PL-51846	PART NO.	NAME OF PART	AMT.
1	00-492397	Panel-Filter Back	1
2	00-233836-00001	Filter-Fat	1
3	00-492784	Plate	1
4	00-233990	Rack	1



PL-51842

VENTILATION UNIT

ILLUS. PL-51842	PART NO.	NAME OF PART	AMT.
1	00-491973	Bracket	1
2	NS-047-13	Nut - M6 x 1.0 Hex SST	1
3	00-233800-00004	Fan Motor (220/380/240/415/50/3)(Half Size, Non-Programmable)	1
4	00-233800-00004	Fan Motor (220/380/240/415/50/3)(Half Size, Non-Programmable)	1
5	00-233800-00001	Fan Motor (220/240/50/3)(Half Size, Programmable)	1
6	00-233800-00002	Fan Motor (380/50/3)(Half Size, Programmable)	1
7	00-233800-00003	Motor-Fan	1
8	00-233800-00003	Motor-Fan	1
9	NS-047-13	Nut - M6 x 1.0 Hex SST	1
10	NS-047-13	Nut - M6 x 1.0 Hex SST	2
11	00-492108	Cover - Convection Fan Seal	1
12	SC-118-42	Cap Screw M4 x 0.7 x 10 mm Hex Hd. SST	4
13	00-233987-00001	Fan	1
14	SC-121-17	Cap Screw M10 x 20mm Hex Hd.	1
15	00-322190-00001	Seal - Convection	1
16	00-491969	Bracket - Motor Mounting	1