

VULCAN

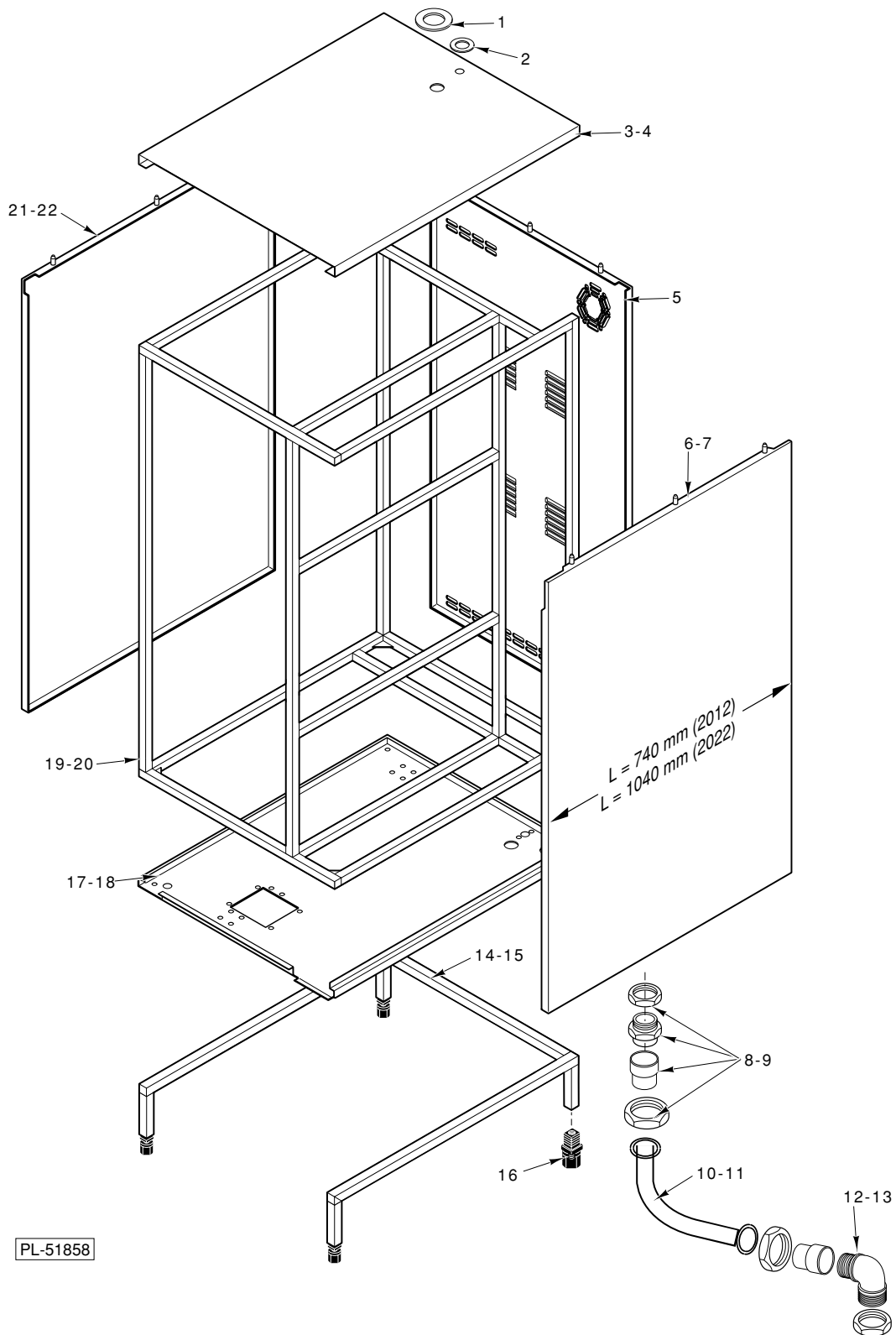
CATALOG OF REPLACEMENT PARTS

HALF & FULL SIZE ELECTRIC COMBI OVENS

MODELS

VC20HEP	ML-52437
VC20HE	ML-52432
VC20FEP	ML-52438
VC20FE	ML-52433

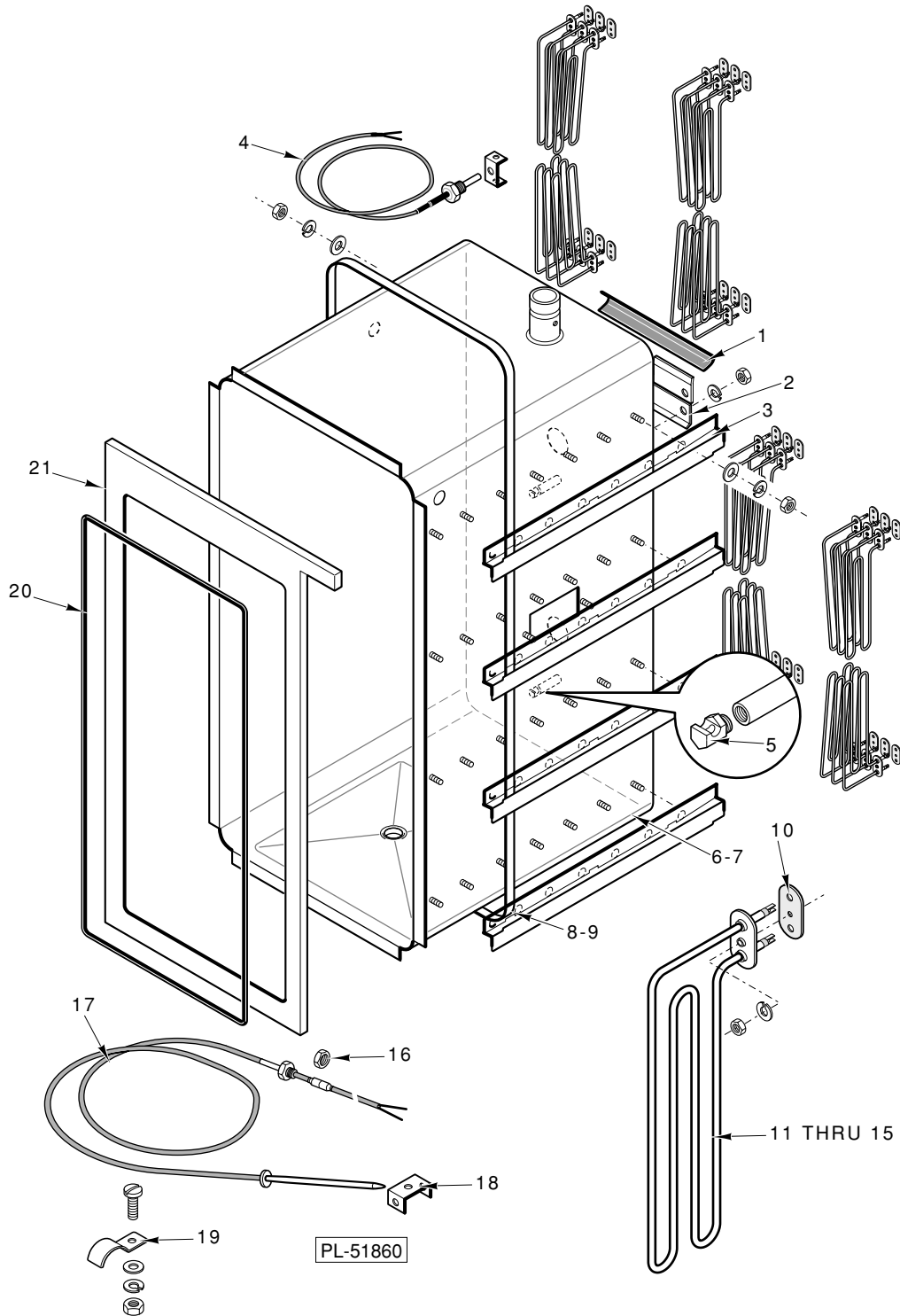




FRAME AND PANELS

FRAME AND PANELS

ILLUS. PL-51858	PART NO.	NAME OF PART	AMT.
1	00-492183	Grommet	1
2	00-492110	Grommet - Drain Pipe Vent	AR
3	00-491994-00001	Panel-Top (Half Size)	AR
4	00-491994-00002	Panel-Top (Full Size)	AR
5	00-492081-00003	Panel-Back	AR
6	00-492079-00004	Panel-Side (R.H.)(Half Size)	1
7	00-492079-00005	Panel-Side (R.H.)(Full Size)	1
8	00-844922-00001	Connector-Insulated Throat 90 Deg. Angle 1½" (Full Size)	1
9	00-844922-00002	Connector-Insulated Throat 90 Deg. Angle 1" (Half Size)	1
10	00-844924-00001	Conduit-Liquid Tight Metalic 1½"	1
11	00-844924-00002	Conduit-Liquid Tight Metalic 1"	1
12	00-844923-00001	Connector-Insulated Throat Straight 1½" (Full Size)	1
13	00-844923-00002	Connector-Insulated Throat Straight 1" (Half Size)	1
14	00-491989-00001	Frame-Stand (Half Size)	1
15	00-491989-00002	Frame-Stand (Full Size)	1
16	00-149919-00002	Foot Assy.	1
17	00-491987-00001	Panel-Bottom (Half Size)	2
18	00-491987-00002	Panel-Bottom (Full Size)	2
19	00-491974-00001	Frame (Half Size)	1
20	00-491974-00002	Frame (Full Size)	1
21	00-492077-00004	Panel-Side (L.H.)(Half Size)	1
22	00-492077-00005	Panel-Side (L.H.)(Full Size)	1



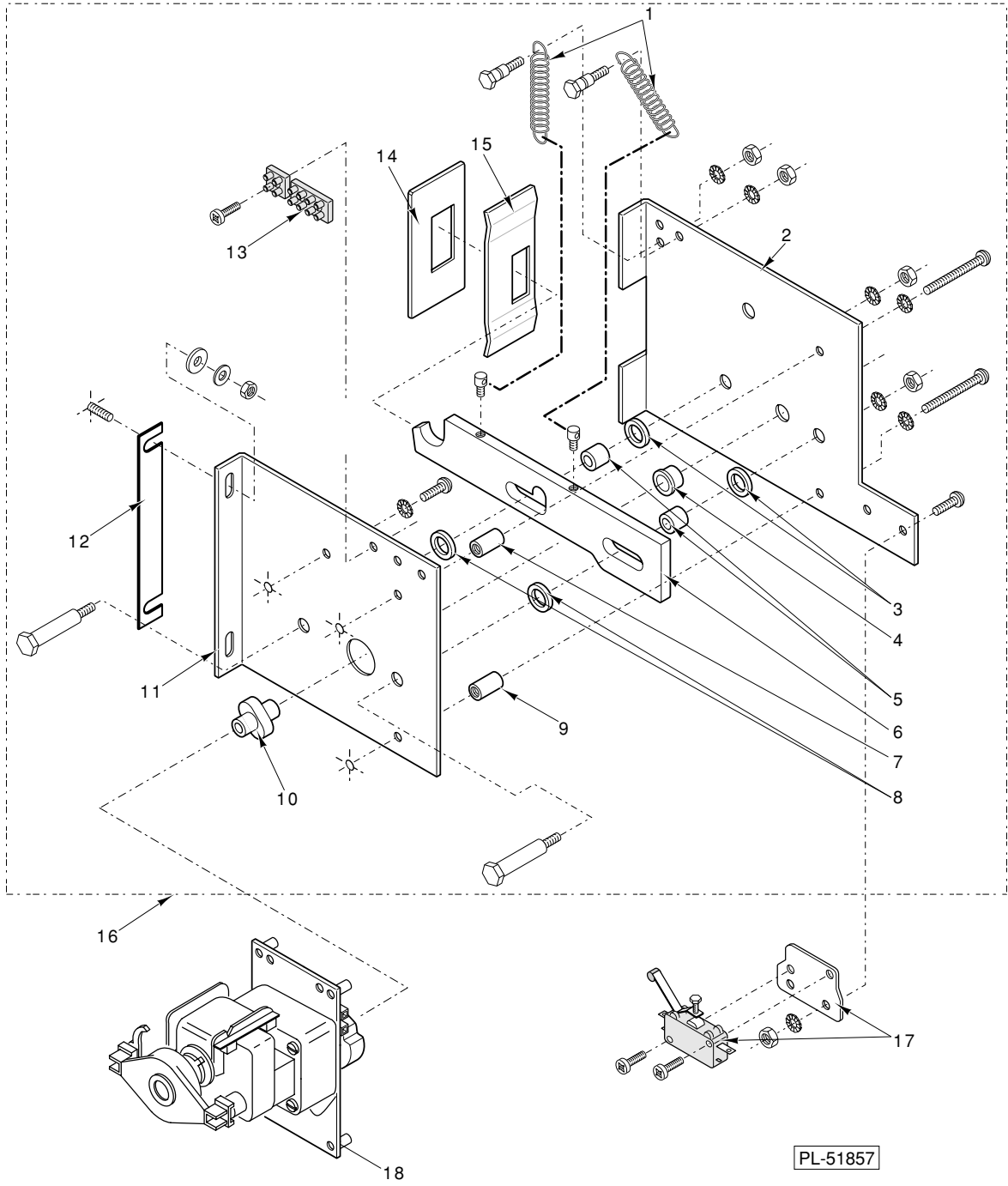
CAVITY

CAVITY

ILLUS. PL-51860	PART NO.	NAME OF PART	AMT.
1	00-153333	Insulator - High Limit Bulbs	1
2	00-322194	Bracket - High Limit Probe	2
3	00-492750	Liner-Reinforcement Channel (Full Size)	4
4	00-322135	Probe - Temperature (L=2400)	1
5	00-148271	Nozzle - Humidifier	1
6	00-491949-00001	Cavity (Half Size)	1
7	00-491949-00002	Cavity (Full Size)	1
8	00-492091	Strap-Insulation (Full Size)	AR
9	00-492091	Strap-Insulation (Half Size)	AR
10	00-153277	Gasket - Cavity Heater	AR
11	00-844696-00001	Heater - Cavity (1.5 KW, 208 V)	AR
12	00-233848-00010	Heater - Cavity (1.5 KW, 240 V)(Half Size)	AR
13	00-844696-00005	Heater - Cavity (1.5 KW, 480 V)(Half Size)	AR
14	00-844696-00003	Heater - Cavity (2.0 KW, 240 V)(Full Size)	AR
15	00-844696-00004	Heater - Cavity (2.0 KW, 480 V)(Full Size)	AR
16	NS-047-52	Full Nut M10 Hex	1
17	00-322320	Probe-Meat Thermometer	1
18	00-322426	Bracket - Meat Probe	1
19	00-322369	Plate - Screw	1
20	00-491770	Seal	1
21	00-491879	Insulation-Cavity	1

DOOR ASSEMBLY

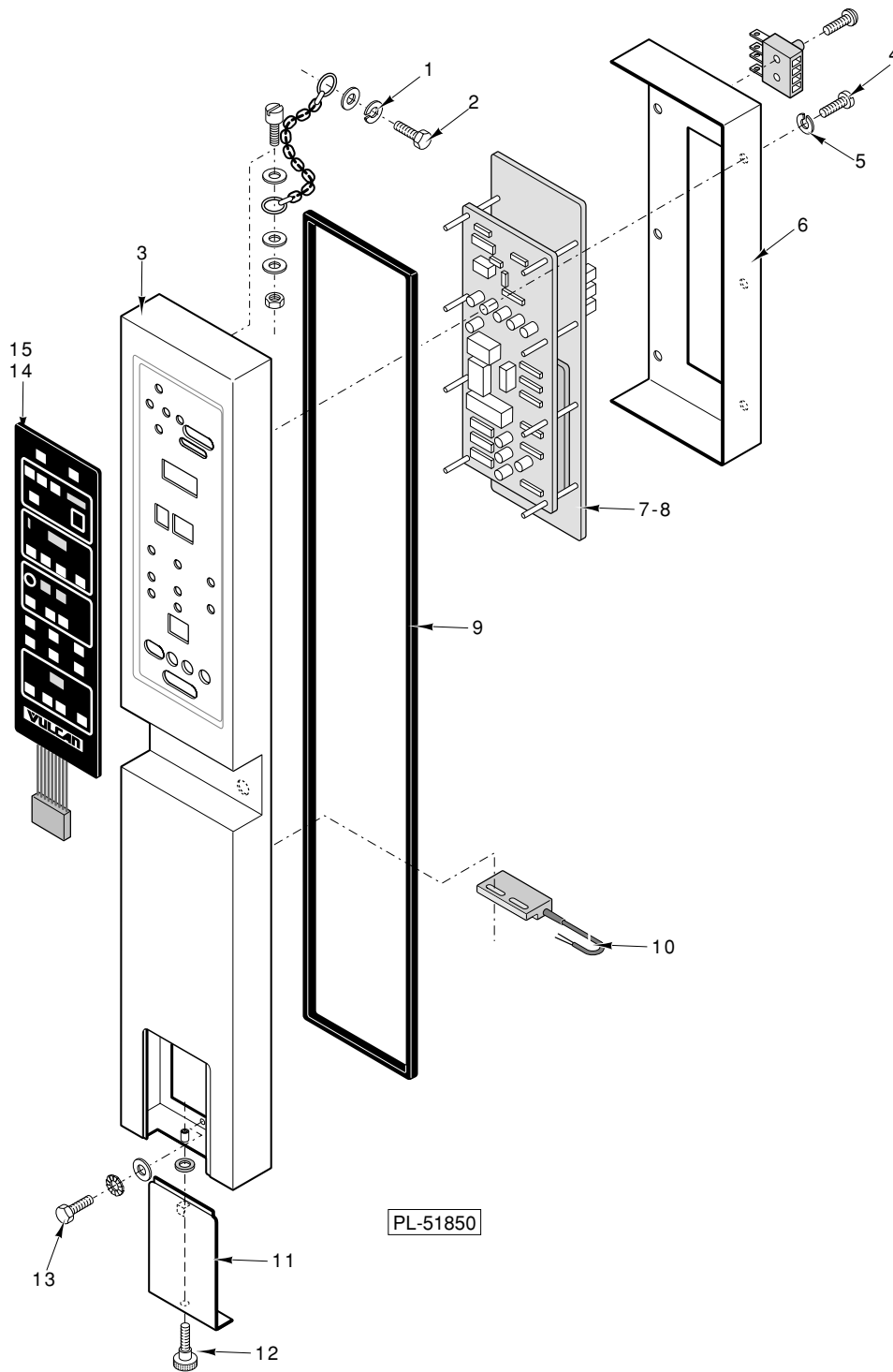
ILLUS. PL-51855	PART NO.	NAME OF PART	AMT.
1	00-492145-00003	Rod	1
2	00-492148	Spacer - Door	1
3	00-492043	Plate	1
4	00-844566	Bushing 8 mm	2
5	00-492147	Hinge	1
6	00-492154	Spring	1
7	00-492152	Stud	1
8	00-491760	Gasket	1
9	00-491756	Window	1
10	00-844567	Pin	1
11	00-492436	Shaft	1
12	00-844568	Ring 14mm	1
13	00-492155	Spring	1
14	00-492488	Clip - Door	1
15	00-492436	Shaft	1
16	00-492051	Bracket	1
17	00-844567	Pin	1
18	00-492436	Shaft	1
19	00-492051	Bracket	1
20	00-844568	Ring 14mm	1
21	00-492155	Spring	1
22	00-492049	Post-Support	1
23	00-491757	Cover	1
24	00-492053	Tray - Drip	1
25	00-492488	Clip - Door	1
26	SC-121-15	Cap Screw M8 x 16mm Hex Hd.	2
27	00-493487-00001	Handle	1
28	00-170016	Magnet	1
29	00-492487	Bracket	1
30	00-492440	Tray-Drip	1
31	00-493551	Panel-Outer Door	1
32	00-492036	Panel-Outer Door	1
33	00-149915-00002	Joint	1
34	00-491755	Window - External	1
35	00-149915-00002	Joint	1
36	00-492044	Panel-Door Inner	1
37	00-491759	Gasket	1
38	SC-121-25	Cap Screw M6 x 12mm Hex Soc. Hd.	AR
39	SC-200-15	Cap Screw M4 x 0.7 x 10 MM Socket Hex Hd.	2
40	00-492215	Bushing	1
41	00-844569	Pin	1
42	00-492146	Hinge	1



INTERLOCKING DOOR ASSEMBLY

INTERLOCKING DOOR ASSEMBLY

ILLUS. PL-51857	PART NO.	NAME OF PART	AMT.
1	00-491985	Spring - Tension	2
2	00-492365	Plate	1
3	00-492423	Washer	2
4	00-492114	Bushing	1
5	00-492424	Spacer	2
6	00-492420	Hook	1
7	00-492425	Spacer	1
8	00-492423	Washer	2
9	00-492425	Spacer	1
10	00-492427	Cam 6 mm Hole	1
11	00-492366	Plate	1
12	00-492011	Spacer Plate	1
13	00-492173	Block - Terminal	1
14	00-492416	Plate	1
15	00-492968	Plate	1
16	00-844915	Door Assy.(Incls. items 1 thru 15)(Comes Assembled)	1
17	00-492430	Microswitch	1
18	00-492878	Motor-Door	1

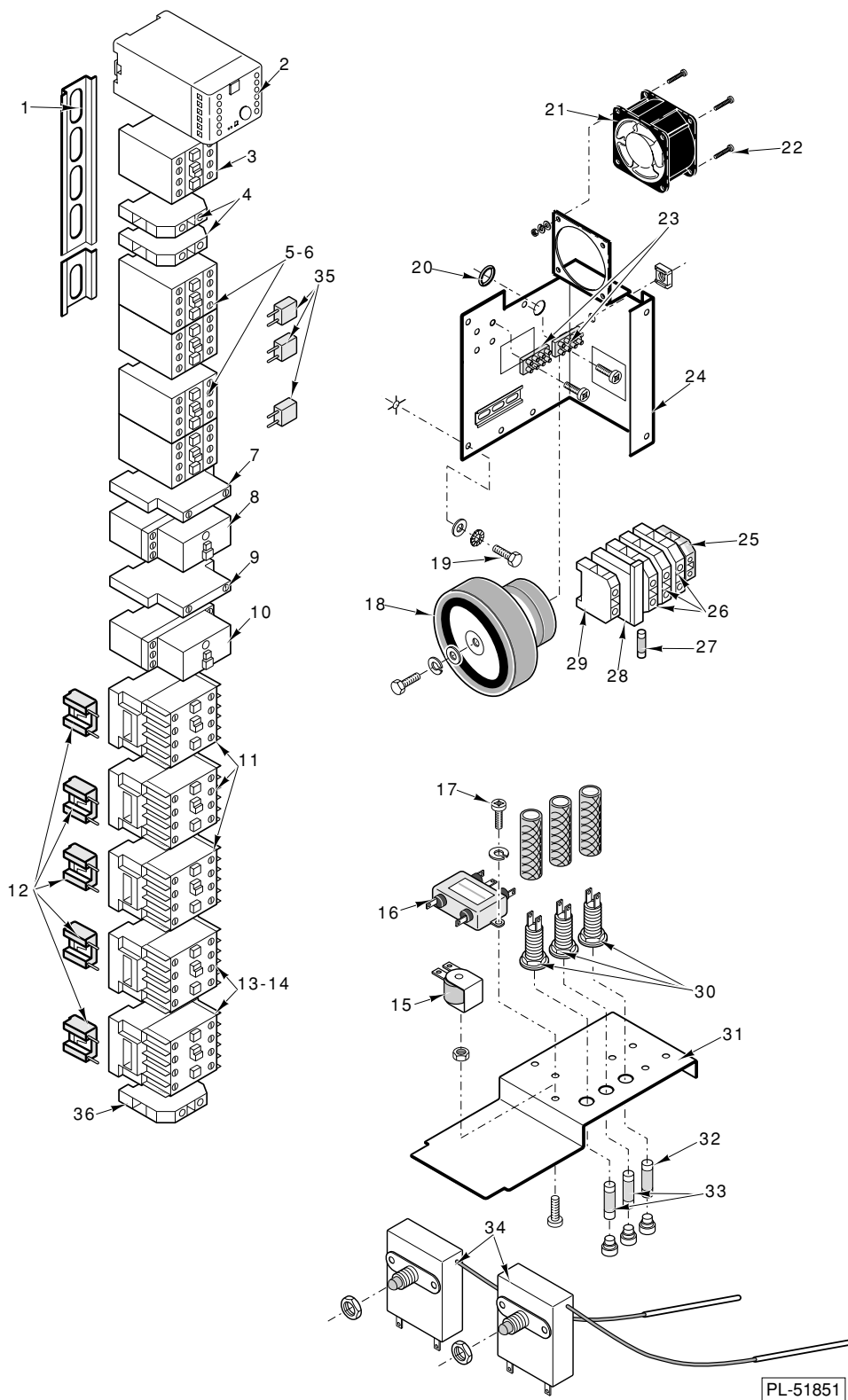


PL-51850

ELECTRONIC CONTROLS

ELECTRONIC CONTROLS

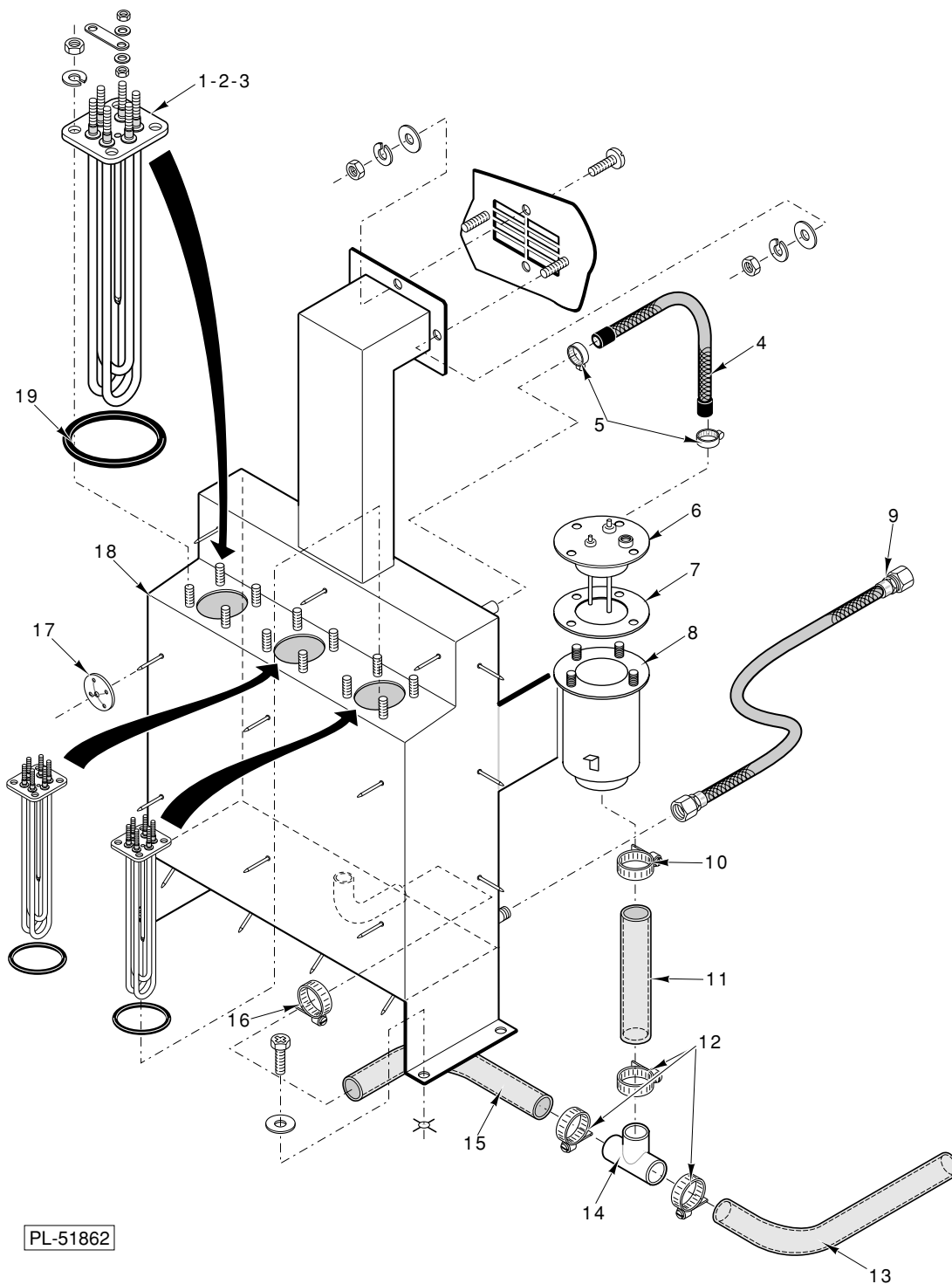
ILLUS. PL-51850	PART NO.	NAME OF PART	AMT.
1	WL-019-69	Lockwasher - M5 External Shakeproof	1
2	SC-122-41	Cap Screw M5 x 0.8 x 172 mm Hex Hd. SST	1
3	00-492055	Panel-Control	1
4	SC-121-30	Mach. Screw M4 x 0.7 x 8 MM Phil. Pan Hd. (Plastic)	6
5	WL-019-69	Lockwasher - M5 External Shakeproof	6
6	00-492074	Cover - Controller RFI Shield	1
7	00-492771-00001	Board-Control (Non-Programmable)	1
8	00-492771-00002	Board-Control (Programmable)	1
9	00-492198	Gasket	1
10	00-297980-00003	Switch - Reed Interlock	1
11	00-492071-00002	Cover	1
12	00-492164	Thumbscrew	1
13	SC-119-02	Cap Screw M5 x 0.8 x 10 mm Hex Hd. SST	1
14	00-492596	Control Panel Board (Non-Programmable)	1
15	00-492441	Control Panel Board (Programmable)	1



ELECTRONIC CONNECTIONS

ELECTRONIC CONNECTIONS

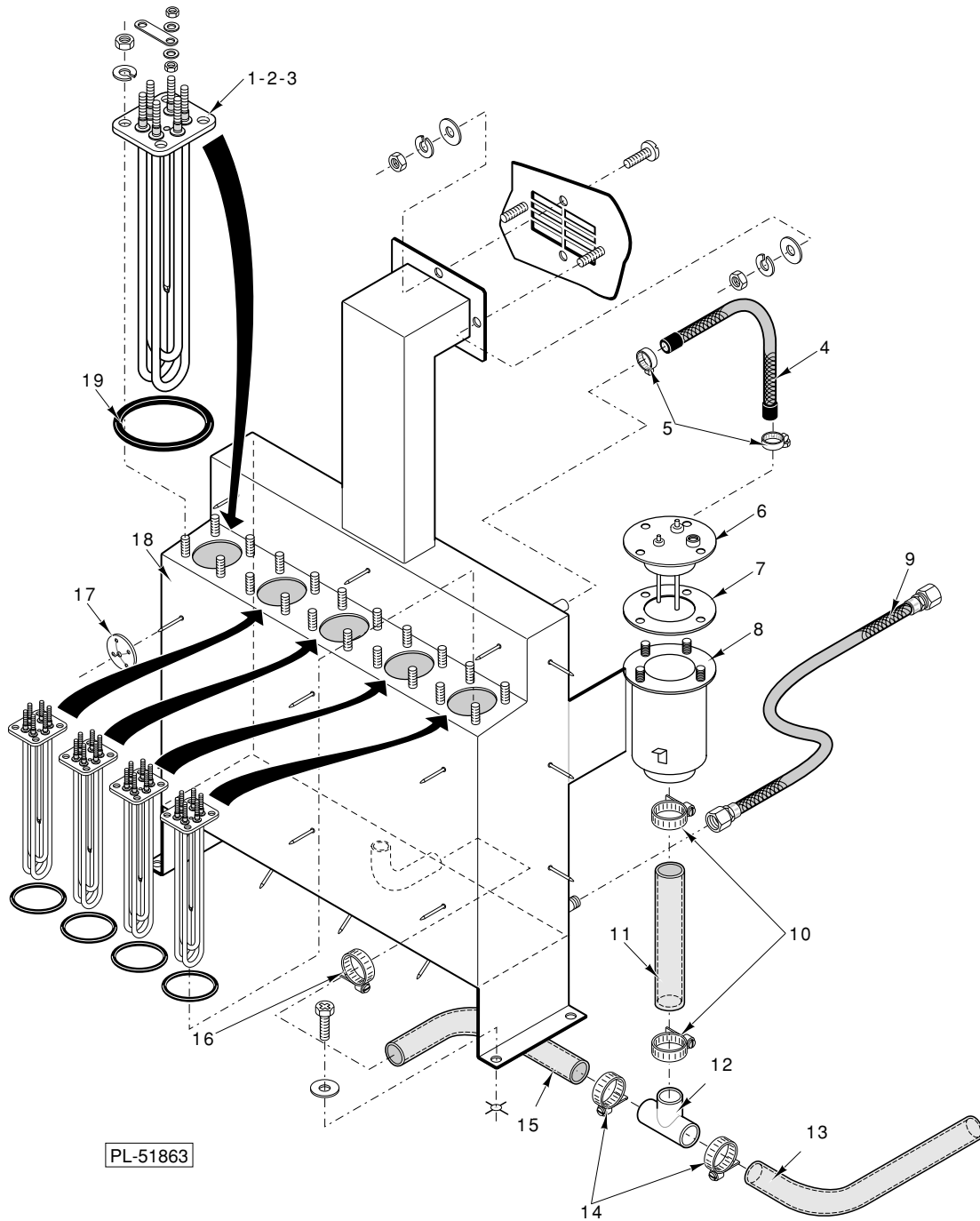
ILLUS. PL-51851	PART NO.	NAME OF PART	AMT.
1	00-135919-00028	Rail-Din	1
2	00-844583-00001	Control-Water Level	1
3	00-844887	Contactora-Door Motor	AR
4	00-492179	Block - Terminal 7 mm	2
5	00-844888	Contactora-Convection Fan (Non-Programmable)	2
6	00-844889	Contactora-Convection Fan (Programmable)	2
7	00-148393-00001	Contacts - Auxiliary Motor Protection Relay	1
8	00-288717-00006	Protector-Motor	1
9	00-148393-00001	Contacts - Auxiliary Motor Protection Relay	1
10	00-288717-00006	Protector-Motor	1
11	00-153280-00001	Contactora-Half/Full Size Convection	3
12	00-322159	RC Device	5
13	00-153276-00001	Contactora-Boiler (Half Size)	2
14	00-844702-00001	Contactora-Boiler (Full Size)	2
15	00-173864	Buzzer	1
16	00-322281-00001	Filter - Line (Corcom)	1
17	SC-118-42	Cap Screw M4 x 0.7 x 10 mm Hex Hd. SST	1
18	00-491765-00002	Transformer	1
19	SC-119-02	Cap Screw M5 x 0.8 x 10 mm Hex Hd. SST	AR
20	00-492189	Grommet	1
21	00-492994	Fan - Compartment Cooling	1
22	SC-118-42	Cap Screw M4 x 0.7 x 10 mm Hex Hd. SST	4
23	00-492173	Block - Terminal	2
24	00-492028	Panel-Mounting	1
25	00-229613-00002	Block-Terminal	1
26	00-229612-00002	Block-Terminal	3
27	00-300099-00001	Fuse - 0.5 Amp (5 x 20mm GMA)	1
28	00-167938	Block - Terminal Fuseholder	1
29	00-228428	Stop - End	1
30	00-492186	Fuseholder	3
31	00-492016	Bracket-Mounting	1
32	00-152480-00021	Fuse 2 Amp	1
33	00-152480-00022	Fuse 6.3 Amp	2
34	00-492105	Thermostat - High Limit	2
35	00-492177	RC Device	3
36	00-228428	Stop - End	1



BOOSTER HEATER-HALF SIZE

BOOSTER HEATER-HALF SIZE

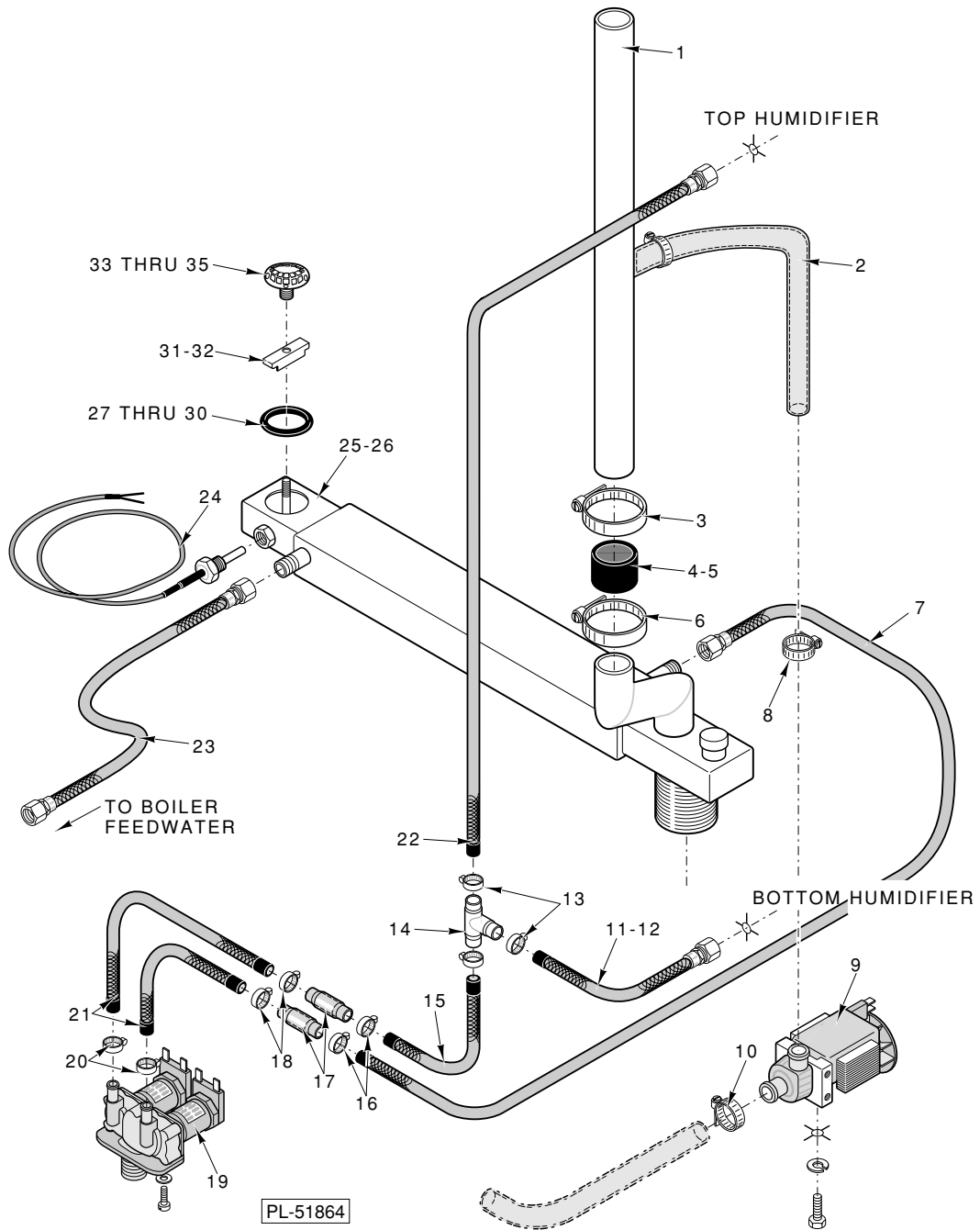
ILLUS. PL-51862	PART NO.	NAME OF PART	AMT.
1	00-844695-00001	Heat - Boiler (8 KW, 208 V.)	AR
2	00-491771-00001	Heater - Boiler (8 KW, 240 V)	AR
3	00-844695-00003	Heater - Boiler (8 KW, 480 V)	AR
4	00-492117-00004	Hose	1
5	00-166513-00001	Clamp-Hose	2
6	00-844721	Cover - Water Level W/Electrodes	1
7	00-844571	Gasket - Water Level Cannister	1
8	00-844572	Can - Water Level Cannister	1
9	00-322260-00001	Hose-Boiler to Boiler Preheater (900 mm Lg)	1
10	00-149978-00001	Clamp - Hose (Worm, 25 mm Dia.)	1
11	00-492144-00012	Hose	1
12	00-149978-00001	Clamp - Hose (Worm, 25 mm Dia.)	2
13	00-492144-00013	Hose	1
14	00-492195	Tee (25 mm)	1
15	00-492144-00011	Hose	1
16	00-149978-00001	Clamp - Hose (Worm, 25 mm Dia.)	1
17	00-233924-00001	Retainer-Insulation (Press On)	AR
18	00-493019	Tank-Boiler	1
19	00-233982-00001	O Ring-Boiler Heater Seal	AR



BOOSTER HEATER-FULL SIZE

BOOSTER HEATER-FULL SIZE

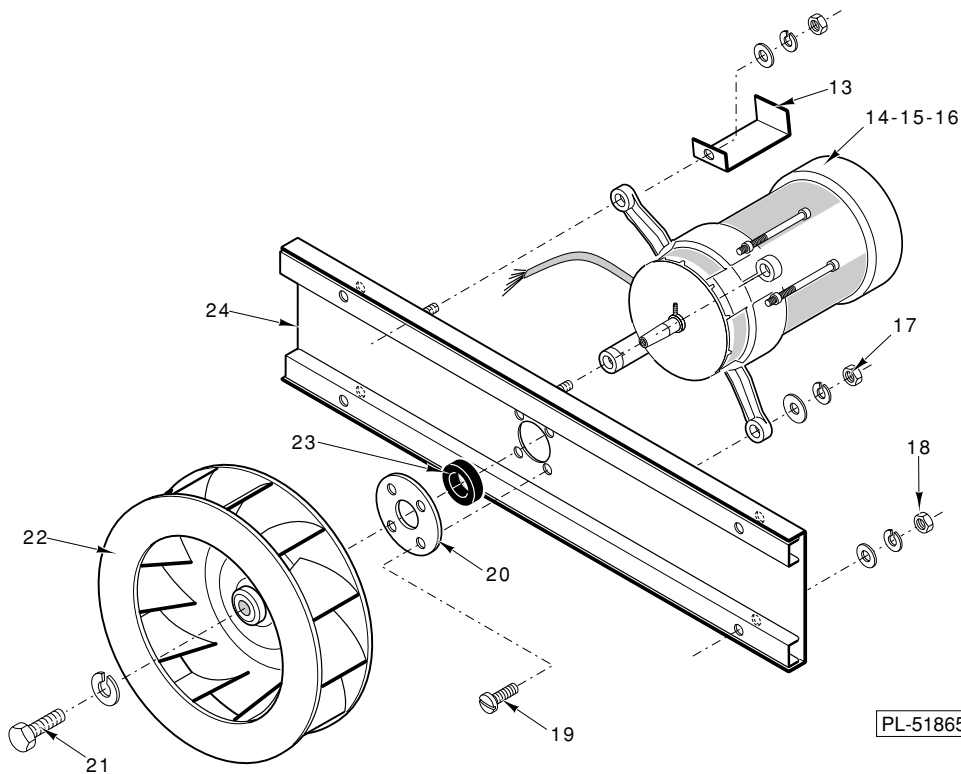
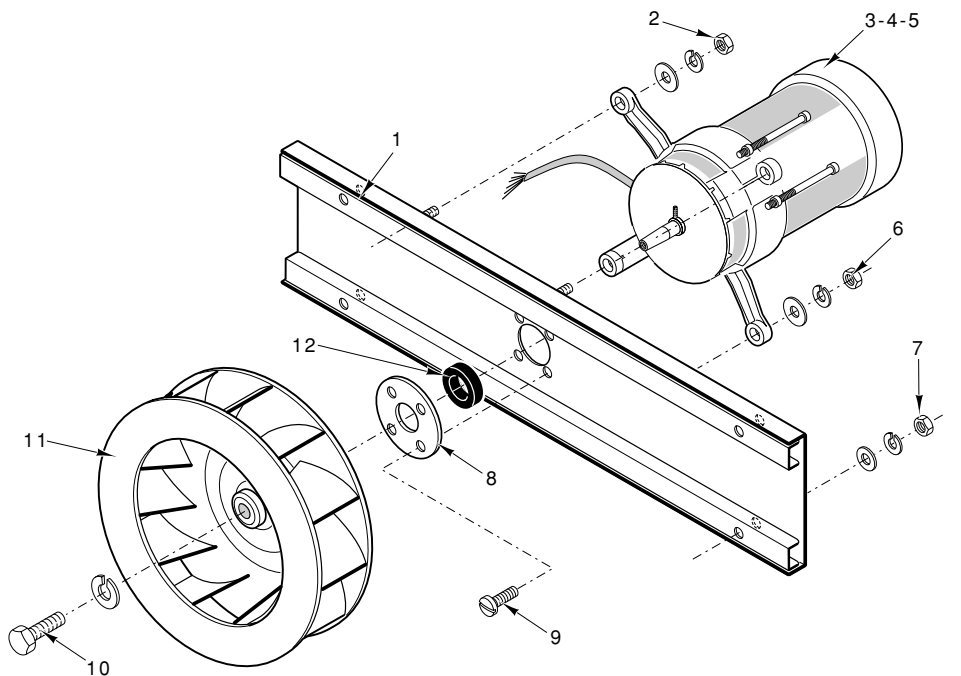
ILLUS. PL-51863	PART NO.	NAME OF PART	AMT.
1	00-844695-00001	Heat - Boiler (8 KW, 208 V.)	5
2	00-491771-00001	Heater - Boiler (8 KW, 240 V)	5
3	00-844695-00003	Heater - Boiler (8 KW, 480 V)	5
4	00-492117-00024	Hose	1
5	00-166513-00001	Clamp-Hose	2
6	00-844721	Cover - Water Level W/Electrodes	1
7	00-844571	Gasket - Water Level Cannister	1
8	00-844572	Can - Water Level Cannister	1
9	00-322260-00001	Hose-Boiler to Boiler Preheater (900 mm Lg)	1
10	00-149978-00001	Clamp - Hose (Worm, 25 mm Dia.)	2
11	00-492144-00001	Hose	1
12	00-492195	Tee (25 mm)	1
13	00-492144-00002	Hose	1
14	00-149978-00001	Clamp - Hose (Worm, 25 mm Dia.)	2
15	00-492144-00001	Hose	1
16	00-149978-00001	Clamp - Hose (Worm, 25 mm Dia.)	1
17	00-233924-00001	Retainer-Insulation (Press On)	AR
18	00-492018	Tank-Boiler	1
19	00-233982-00001	O Ring-Boiler Heater Seal	5



PIPEWORK AND DRAIN

PIPEWORK AND DRAIN

ILLUS. PL-51864	PART NO.	NAME OF PART	AMT.
1	00-492412-00004	Tube-Drain Vent	1
2	00-492144-00003	Tube-Covisil Drain to Pump	1
3	00-844575	Clamp-Hose	1
4	00-493028	Tube-Drain Vent Connector (Half Size)	1
5	00-492202	Tube-Drain Vent Connector (Full Size)	1
6	00-844575	Clamp-Hose	1
7	00-322137-00006	Hose-Backflow to Injector	1
8	00-149978-00001	Clamp - Hose (Worm, 25 mm Dia.)	1
9	00-491754-00001	Pump-Boiler Drain	1
10	00-149978-00001	Clamp - Hose (Worm, 25 mm Dia.)	1
11	00-322137-00006	Hose-Backflow to Injector (Half Size)	1
12	00-322137-00001	Hose-Backflow to Injector (Full Size)	1
13	00-166513-00001	Clamp-Hose	2
14	00-492116	Tee	1
15	00-492117-00002	Tube	1
16	00-166513-00001	Clamp-Hose	2
17	00-491751	Valve - Check	2
18	00-166513-00001	Clamp-Hose	2
19	00-492118	Solenoid-Valve (Water Inlet)	1
20	00-166513-00001	Clamp-Hose	2
21	00-492117-00001	Hose-Solenoid Valve to Backflow	2
22	00-322137-00005	Hose-Solenoid to Drain	1
23	00-322260-00001	Hose-Boiler to Boiler Preheater (900 mm Lg)	1
24	00-322135	Probe - Temperature (L=2400)	1
25	00-844750	Drain Tube Assy. W/Integral Boiler Pre-Heater (Half Size)	1
26	00-844751	Drain Tube Assy. W/Integral Boiler Pre-Heater (Full Size)	1
27	00-153306	O Ring	1
28	00-233982-00006	O Ring	1
29	00-491768	O Ring	1
30	00-233982-00007	O Ring	1
31	00-493544	Bracket-Interior Drain Strain (Half Size)	1
32	00-493545	Bracket-Interior Drain Strain (Full Size)	1
33	00-322177	Knob (Half Size)	1
34	00-491997	Knob	1
35	00-493543	Knob	1

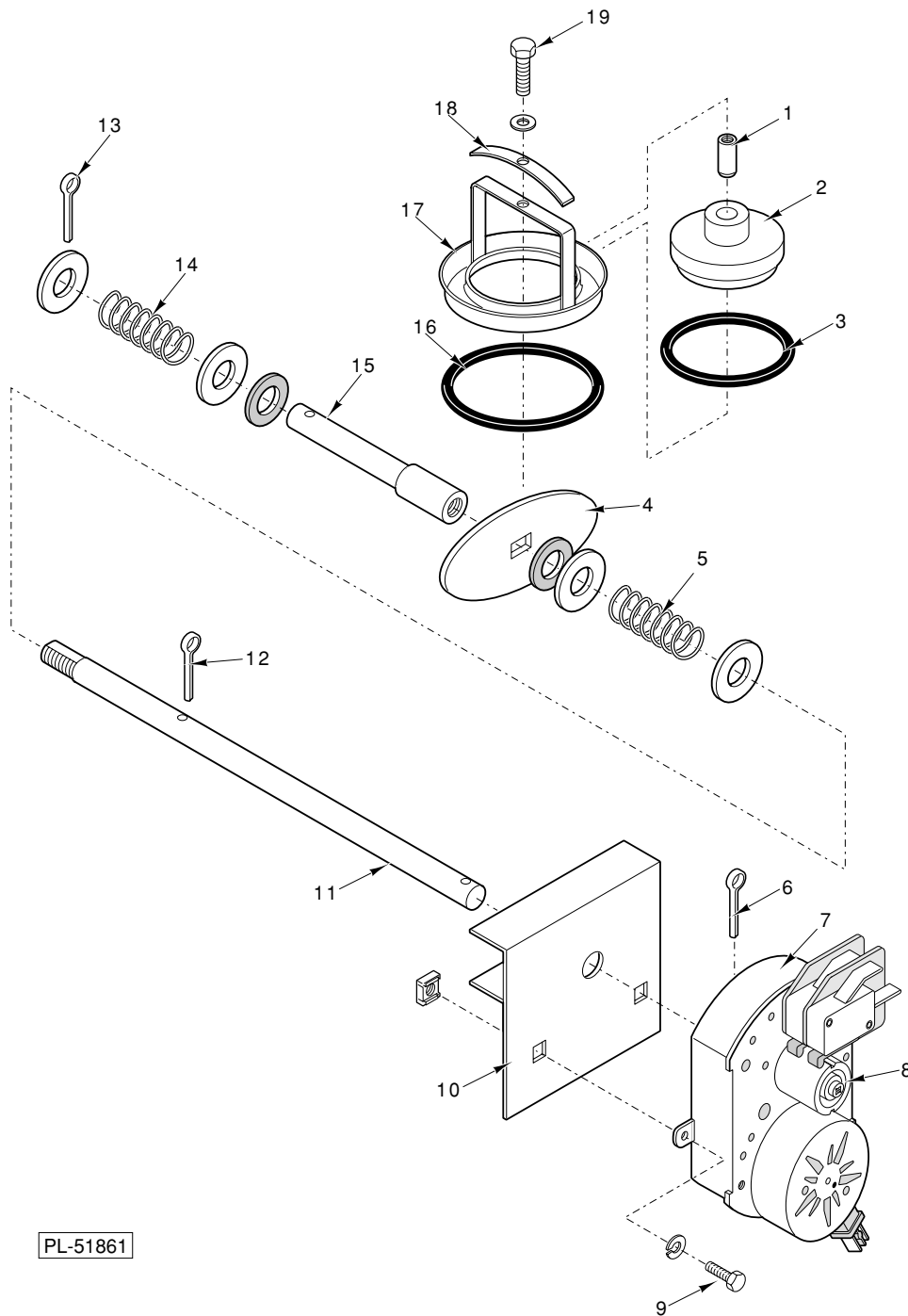


PL-51865

VENTILATION

VENTILATION

ILLUS. PL-51865	PART NO.	NAME OF PART	AMT.
1	00-491969	Bracket - Motor Mounting	1
2	NS-047-13	Nut - M6 x 1.0 Hex SST	2
3	00-233800-00004	Fan Motor (220/380/240/415/50/3)(Half Size, Non-Programmable)	1
4	00-233800-00002	Fan Motor (380/50/3)(Half Size, Programmable)	1
5	00-233800-00001	Fan Motor (220/240/50/3)(Half Size, Programmable)	1
6	NS-047-13	Nut - M6 x 1.0 Hex SST	2
7	NS-047-13	Nut - M6 x 1.0 Hex SST	4
8	00-492108	Cover - Convection Fan Seal	1
9	SC-118-42	Cap Screw M4 x 0.7 x 10 mm Hex Hd. SST	4
10	SC-121-17	Cap Screw M10 x 20mm Hex Hd.	1
11	00-233978-00002	Air Rotor - Convection	1
12	00-322190-00001	Seal - Convection	1
13	00-491973	Bracket	1
14	00-233800-00004	Fan Motor (220/380/240/415/50/3)(Half Size, Non-Programmable)	1
15	00-233800-00002	Fan Motor (380/50/3)(Half Size, Programmable)	1
16	00-233800-00001	Fan Motor (220/240/50/3)(Half Size, Programmable)	1
17	NS-047-13	Nut - M6 x 1.0 Hex SST	2
18	NS-047-13	Nut - M6 x 1.0 Hex SST	4
19	SC-118-42	Cap Screw M4 x 0.7 x 10 mm Hex Hd. SST	4
20	00-492108	Cover - Convection Fan Seal	1
21	SC-121-17	Cap Screw M10 x 20mm Hex Hd.	1
22	00-233978-00002	Air Rotor - Convection	1
23	00-322190-00001	Seal - Convection	1
24	00-491969	Bracket - Motor Mounting	1

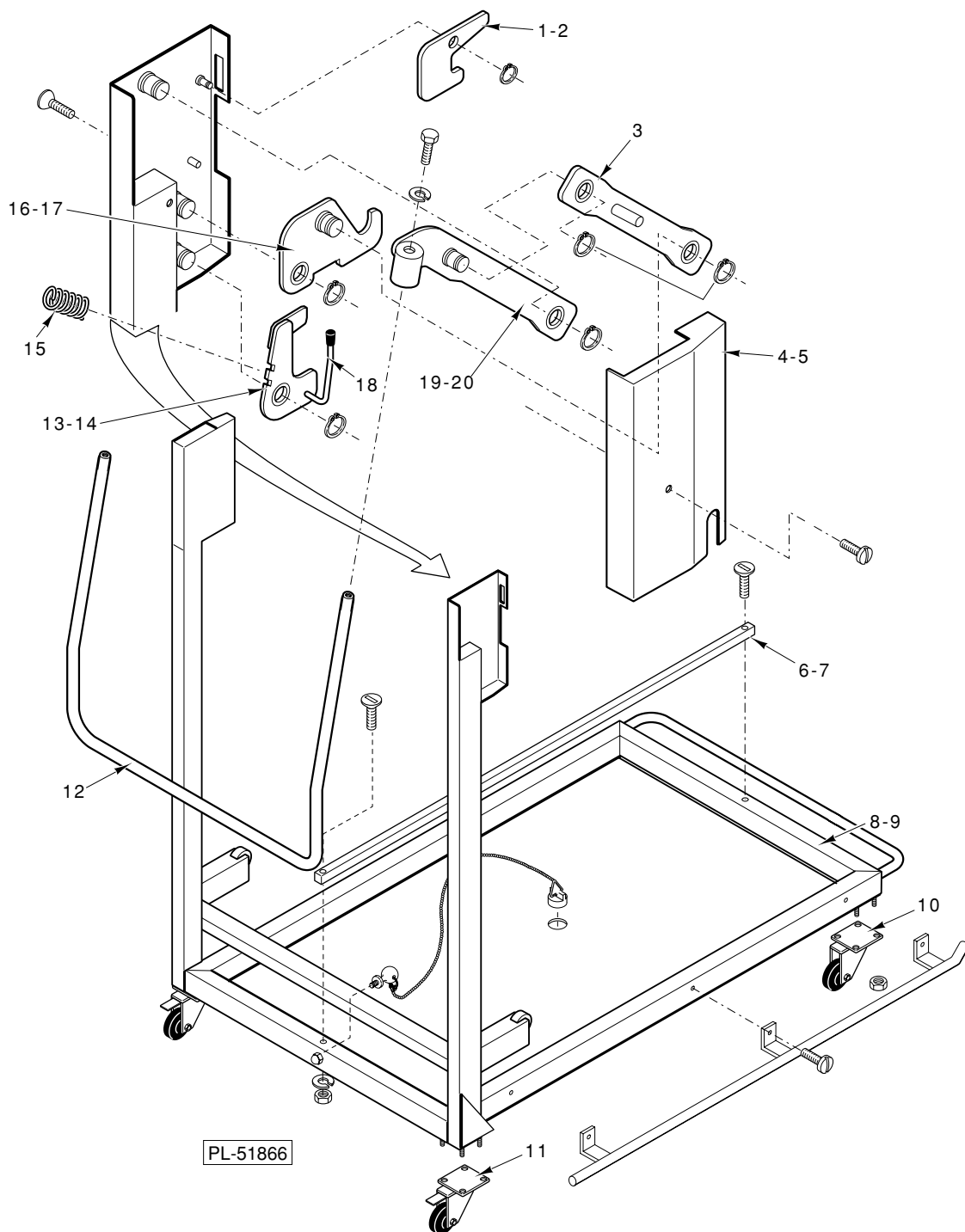


PL-51861

VENT ASSEMBLY

VENT ASSEMBLY

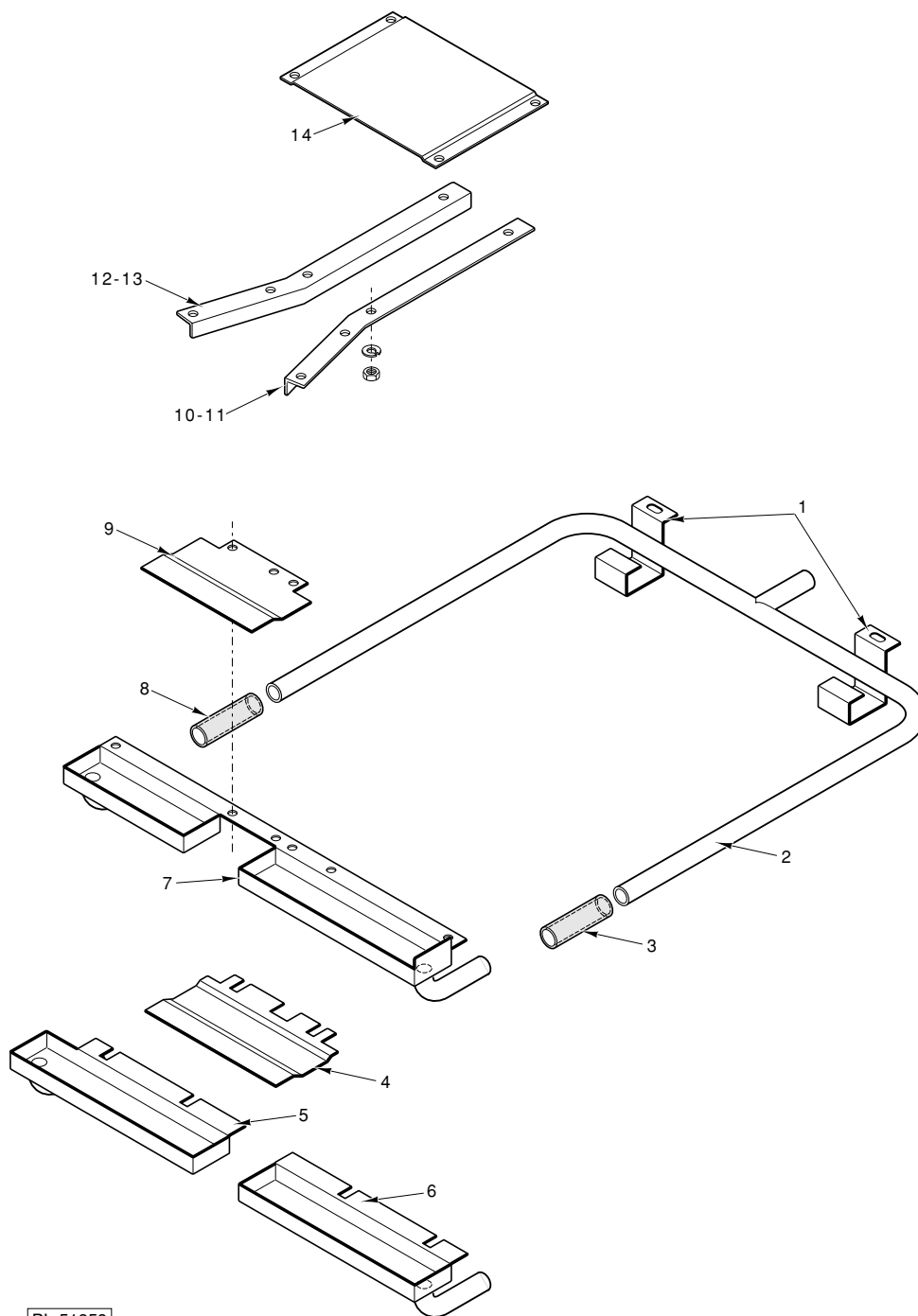
ILLUS. PL-51861	PART NO.	NAME OF PART	AMT.
1	00-322061	Shaft - Guide	1
2	00-152972	Vent	1
3	00-233982-00004	O-Ring	1
4	00-233955	Disc	1
5	00-322083	Spring	1
6	00-602884	Pin - Cotter	1
7	00-233979-00001	Motor - Fan	1
8	00-322064	Cam	1
9	SC-119-02	Cap Screw M5 x 0.8 x 10 mm Hex Hd. SST	2
10	00-491991	Plate	1
11	00-492103	Shaft - Drive	1
12	00-602884	Pin - Cotter	1
13	00-602884	Pin - Cotter	1
14	00-322083	Spring	1
15	00-492107	Pipe	1
16	00-233982-00005	O-Ring	1
17	00-322127	Housing	1
18	00-322303	Spring	1
19	SC-120-49	Cap Screw M5 x 0.8 x 20mm Hex Hd.	1



CARRIAGE

CARRIAGE

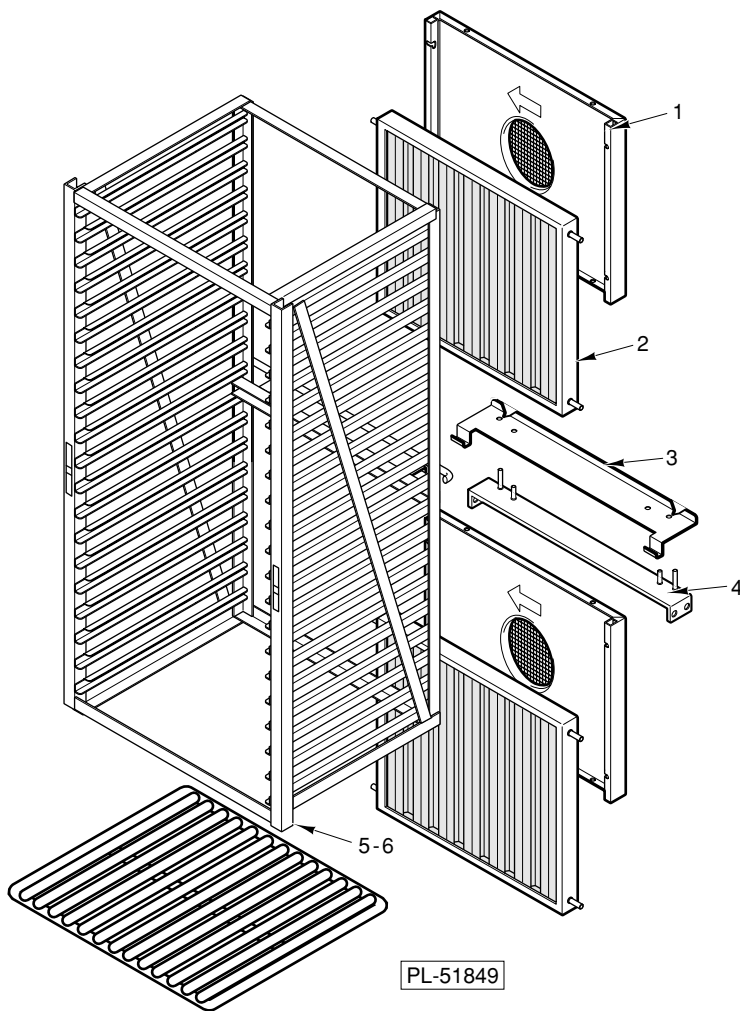
ILLUS. PL-51866	PART NO.	NAME OF PART	AMT.
1	00-492755	Catch-Interlock (R.H.)	1
2	00-492754	Catch-Interlock (L.H.)	1
3	00-492762	Brace	1
4	00-492764	Cover (R.H.)	1
5	00-492763	Cover (L.H.)	1
6	00-492765-00002	Brace (Full Size)	1
7	00-492765-00001	Brace (Half Size)	1
8	00-492768	Carriage (Full Size)	1
9	00-493093	Carriage (Full Size)	1
10	00-492770	Caster	2
11	00-492769	Caster W/Brake	2
12	00-492767	Handle	1
13	00-492761	Linkage, Handle R.H.	1
14	00-492760	Linkage, Handle L.H.	1
15	00-322083	Spring	1
16	00-492757	Linkage, Hook R.H.	1
17	00-492756	Linkage, Hook L.H.	1
18	00-492772	Handle	1
19	00-492759	Brace R.H.	1
20	00-492758	Brace L.H.	1



FRAMEWORK

FRAMEWORK

ILLUS. PL-51859	PART NO.	NAME OF PART	AMT.
1	00-492482	Bracket-Hook	2
2	00-492484-00002	Tubing	1
3	00-492483	Tubing	1
4	00-492964	Cover	1
5	00-492965	Tray (L.H.)	1
6	00-492966	Tray (R.H.)	1
7	00-492480	Tray Assy.	1
8	00-492483	Tubing	1
9	00-492481	Cover	1
10	00-492486	Brace (R.H.)	1
11	00-322259	Brace-Trolley (R.H. Guide)	1
12	00-492485	Brace (L.H.)	1
13	00-322258	Brace-Trolley (L.H. Guide)	1
14	00-491988	Cover	1



FILTER AND CARRIAGE

ILLUS. PL-51849	PART NO.	NAME OF PART	AMT.
1	00-492075	Panel - Filter	1
2	00-233836-00002	Filter - Flat	1
3	00-492967	Plate-Support	1
4	00-332306	Plate-Support	1
5	00-492948	Rack-Insert (Half Size)	1
6	00-492773	Rack-Insert (Full Size)	1