

# VULCAN

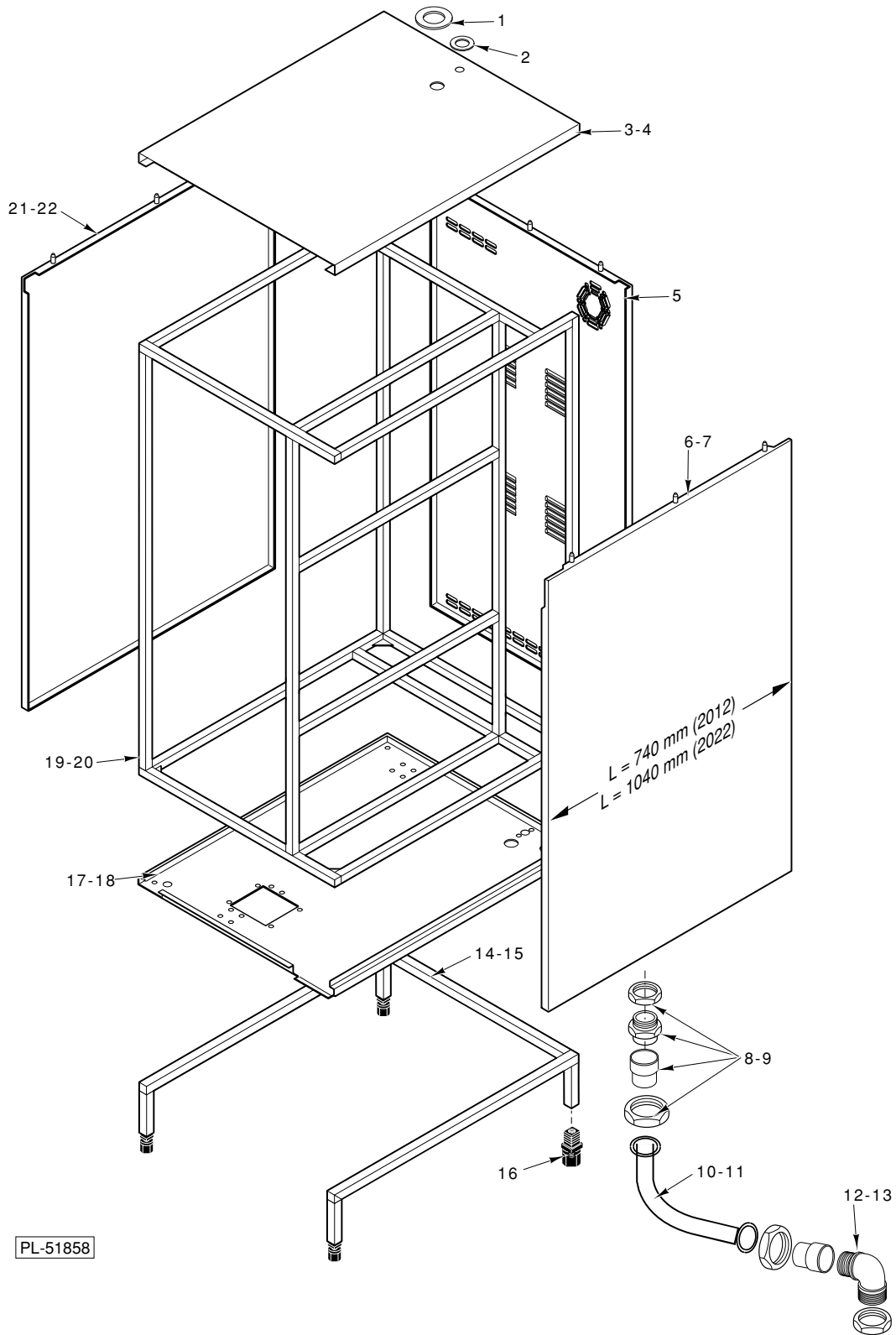
## CATALOG OF REPLACEMENT PARTS

### HALF & FULL SIZE ELECTRIC COMBI OVENS

#### MODELS

VC20HEP	ML-52437
VC20HE	ML-52432
VC20FEP	ML-52438
VC20FE	ML-52433

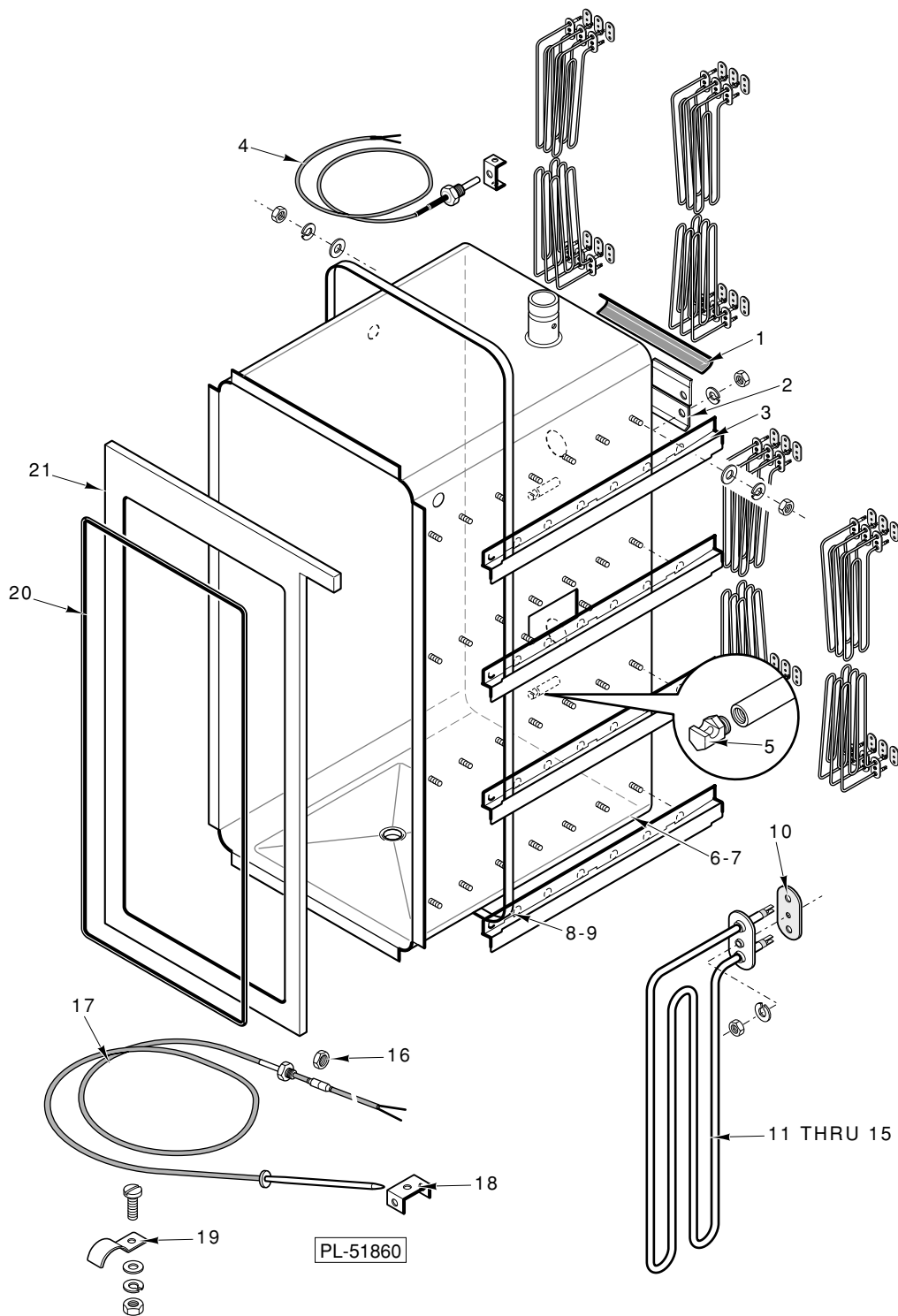




**FRAME AND PANELS**

**FRAME AND PANELS**

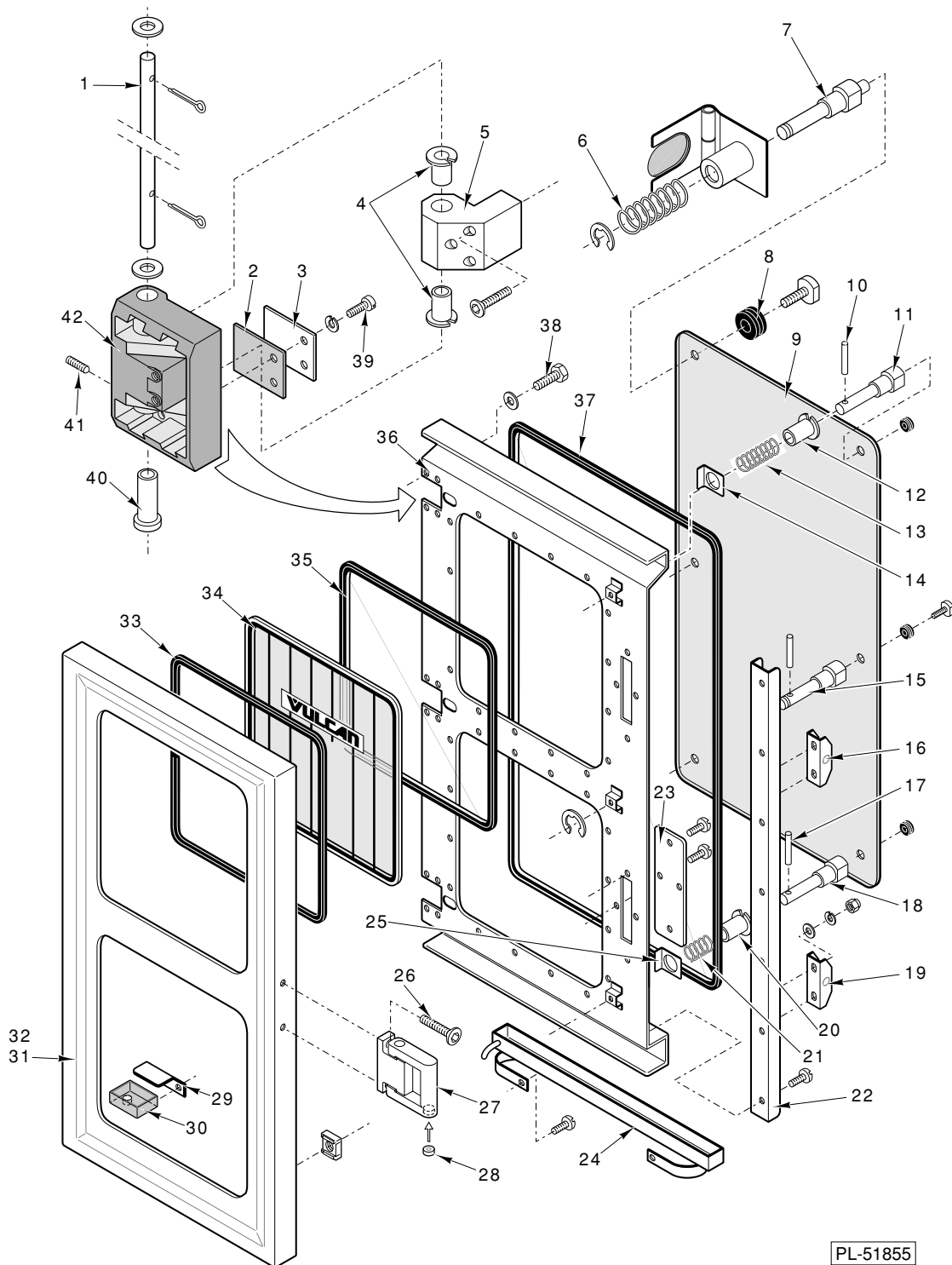
ILLUS. PL-51858	PART NO.	NAME OF PART	AMT.
1	00-492183	Grommet .....	1
2	00-492110	Grommet - Drain Pipe Vent .....	AR
3	00-491994-00001	Panel-Top (Half Size) .....	AR
4	00-491994-00002	Panel-Top (Full Size) .....	AR
5	00-492081-00003	Panel-Back .....	AR
6	00-492079-00004	Panel-Side (R.H.)(Half Size) .....	1
7	00-492079-00005	Panel-Side (R.H.)(Full Size) .....	1
8	00-844922-00001	Connector-Insulated Throat 90 Deg. Angle 1½" (Full Size) .....	1
9	00-844922-00002	Connector-Insulated Throat 90 Deg. Angle 1" (Half Size) .....	1
10	00-844924-00001	Conduit-Liquid Tight Metalic 1½" .....	1
11	00-844924-00002	Conduit-Liquid Tight Metalic 1" .....	1
12	00-844923-00001	Connector-Insulated Throat Straight 1½" (Full Size) .....	1
13	00-844923-00002	Connector-Insulated Throat Straight 1" (Half Size) .....	1
14	00-491989-00001	Frame-Stand (Half Size) .....	1
15	00-491989-00002	Frame-Stand (Full Size) .....	1
16	00-149919-00002	Foot Assy. ....	1
17	00-491987-00001	Panel-Bottom (Half Size) .....	2
18	00-491987-00002	Panel-Bottom (Full Size) .....	2
19	00-491974-00001	Frame (Half Size) .....	1
20	00-491974-00002	Frame (Full Size) .....	1
21	00-492077-00004	Panel-Side (L.H.)(Half Size) .....	1
22	00-492077-00005	Panel-Side (L.H.)(Full Size) .....	1



CAVITY

**CAVITY**

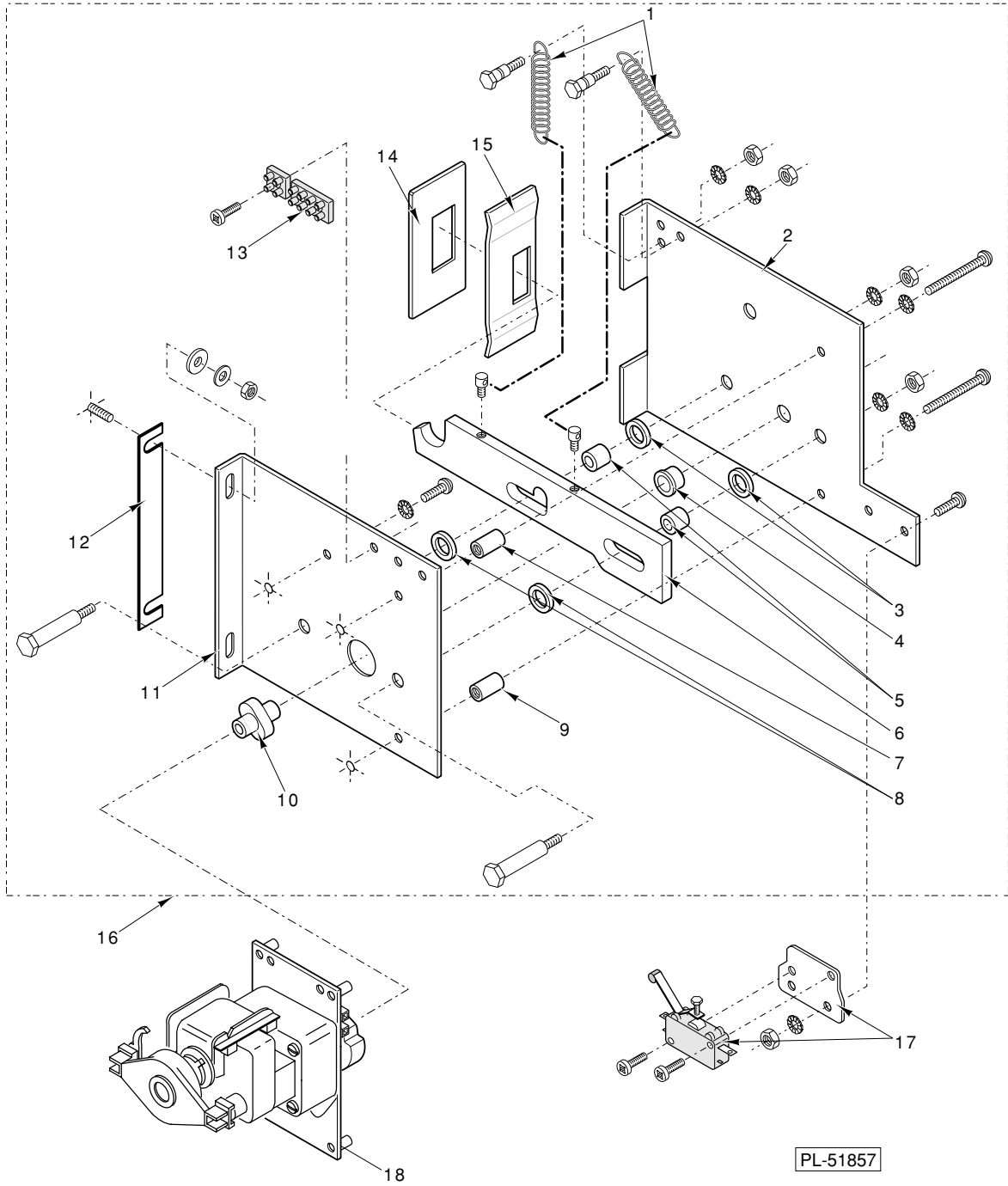
ILLUS. PL-51860	PART NO.	NAME OF PART	AMT.
1	00-153333	Insulator - High Limit Bulbs .....	1
2	00-322194	Bracket - High Limit Probe .....	2
3	00-492750	Liner-Reinforcement Channel (Full Size) .....	4
4	00-322135	Probe - Temperature (L=2400) .....	1
5	00-148271	Nozzle - Humidifier .....	1
6	00-491949-00001	Cavity (Half Size) .....	1
7	00-491949-00002	Cavity (Full Size) .....	1
8	00-492091	Strap-Insulation (Full Size) .....	AR
9	00-492091	Strap-Insulation (Half Size) .....	AR
10	00-153277	Gasket - Cavity Heater .....	AR
11	00-844696-00001	Heater - Cavity (1.5 KW, 208 V) .....	AR
12	00-233848-00010	Heater - Cavity (1.5 KW, 240 V)(Half Size) .....	AR
13	00-844696-00005	Heater - Cavity (1.5 KW, 480 V)(Half Size) .....	AR
14	00-844696-00003	Heater - Cavity (2.0 KW, 240 V)(Full Size) .....	AR
15	00-844696-00004	Heater - Cavity (2.0 KW, 480 V)(Full Size) .....	AR
16	NS-047-52	Full Nut M10 Hex .....	1
17	00-322320	Probe-Meat Thermometer .....	1
18	00-322426	Bracket - Meat Probe .....	1
19	00-322369	Plate - Screw .....	1
20	00-491770	Seal .....	1
21	00-491879	Insulation-Cavity .....	1



DOOR ASSEMBLY

## DOOR ASSEMBLY

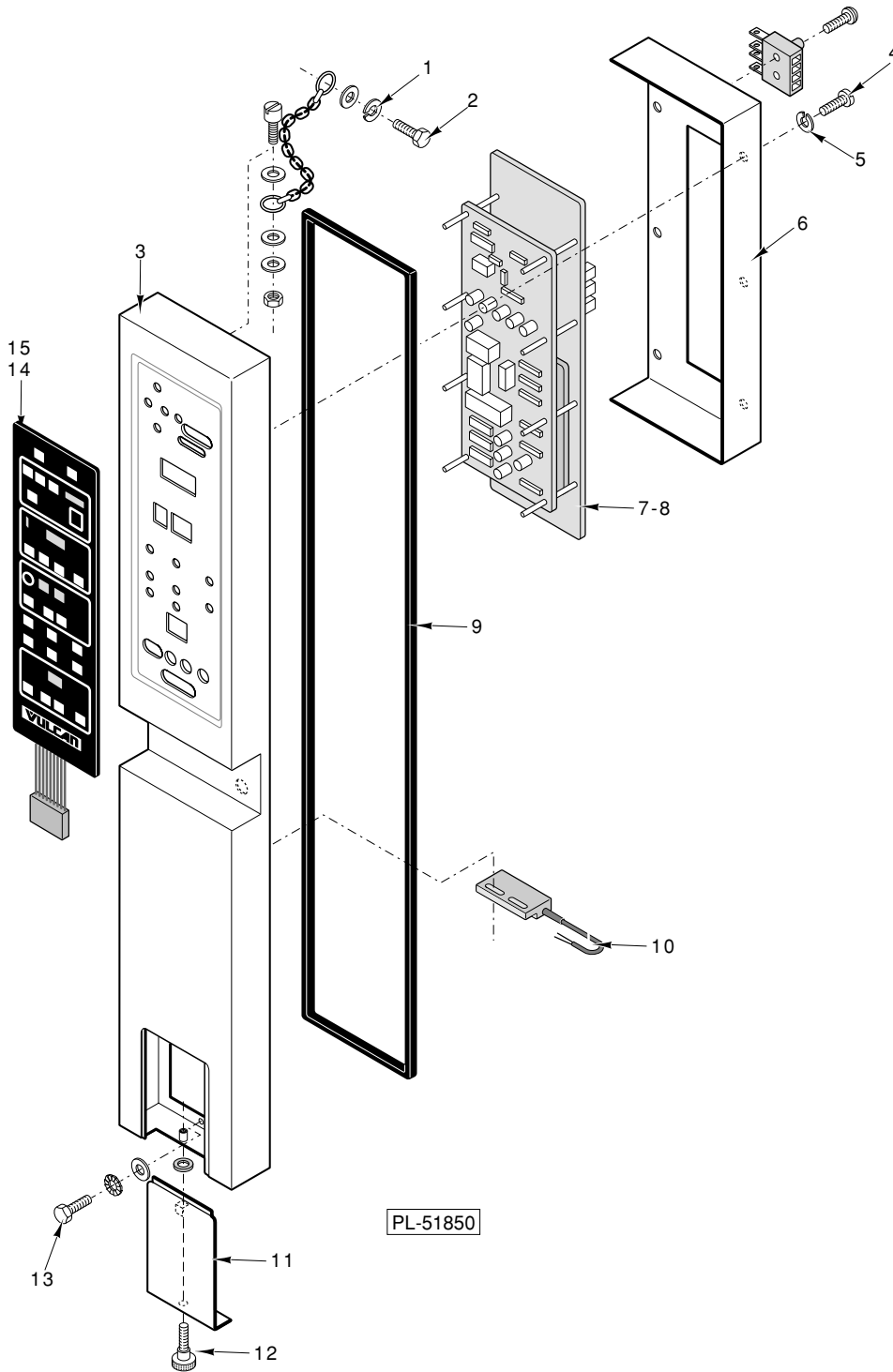
ILLUS. PL-51855	PART NO.	NAME OF PART	AMT.
1	00-492145-00003	Rod .....	1
2	00-492148	Spacer - Door .....	1
3	00-492043	Plate .....	1
4	00-844566	Bushing 8 mm .....	2
5	00-492147	Hinge .....	1
6	00-492154	Spring .....	1
7	00-492152	Stud .....	1
8	00-491760	Gasket .....	1
9	00-491756	Window .....	1
10	00-844567	Pin .....	1
11	00-492436	Shaft .....	1
12	00-844568	Ring 14mm .....	1
13	00-492155	Spring .....	1
14	00-492488	Clip - Door .....	1
15	00-492436	Shaft .....	1
16	00-492051	Bracket .....	1
17	00-844567	Pin .....	1
18	00-492436	Shaft .....	1
19	00-492051	Bracket .....	1
20	00-844568	Ring 14mm .....	1
21	00-492155	Spring .....	1
22	00-492049	Post-Support .....	1
23	00-491757	Cover .....	1
24	00-492053	Tray - Drip .....	1
25	00-492488	Clip - Door .....	1
26	SC-121-15	Cap Screw M8 x 16mm Hex Hd. ....	2
27	00-493487-00001	Handle .....	1
28	00-170016	Magnet .....	1
29	00-492487	Bracket .....	1
30	00-492440	Tray-Drip .....	1
31	00-493551	Panel-Outer Door .....	1
32	00-492036	Panel-Outer Door .....	1
33	00-149915-00002	Joint .....	1
34	00-491755	Window - External .....	1
35	00-149915-00002	Joint .....	1
36	00-492044	Panel-Door Inner .....	1
37	00-491759	Gasket .....	1
38	SC-121-25	Cap Screw M6 x 12mm Hex Soc. Hd. ....	AR
39	SC-200-15	Cap Screw M4 x 0.7 x 10 MM Socket Hex Hd. ....	2
40	00-492215	Bushing .....	1
41	00-844569	Pin .....	1
42	00-492146	Hinge .....	1



**INTERLOCKING DOOR ASSEMBLY**

**INTERLOCKING DOOR ASSEMBLY**

ILLUS. PL-51857	PART NO.	NAME OF PART	AMT.
1	00-491985	Spring - Tension .....	2
2	00-492365	Plate .....	1
3	00-492423	Washer .....	2
4	00-492114	Bushing .....	1
5	00-492424	Spacer .....	2
6	00-492420	Hook .....	1
7	00-492425	Spacer .....	1
8	00-492423	Washer .....	2
9	00-492425	Spacer .....	1
10	00-492427	Cam 6 mm Hole .....	1
11	00-492366	Plate .....	1
12	00-492011	Spacer Plate .....	1
13	00-492173	Block - Terminal .....	1
14	00-492416	Plate .....	1
15	00-492968	Plate .....	1
16	00-844915	Door Assy.(Incls. items 1 thru 15)(Comes Assembled) .....	1
17	00-492430	Microswitch .....	1
18	00-492878	Motor-Door .....	1

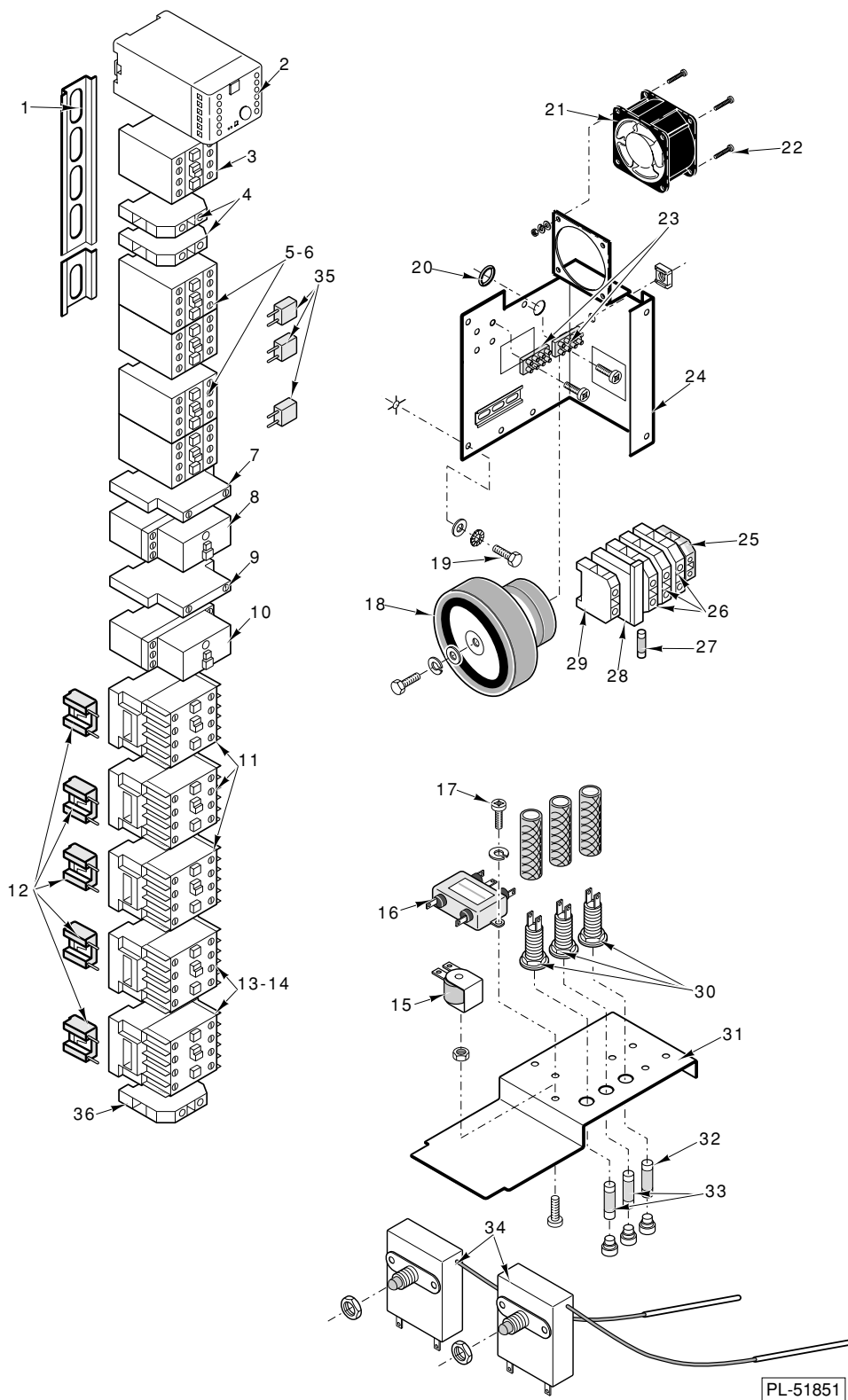


PL-51850

**ELECTRONIC CONTROLS**

**ELECTRONIC CONTROLS**

ILLUS. PL-51850	PART NO.	NAME OF PART	AMT.
1	WL-019-69	Lockwasher - M5 External Shakeproof .....	1
2	SC-122-41	Cap Screw M5 x 0.8 x 172 mm Hex Hd. SST .....	1
3	00-492055	Panel-Control .....	1
4	SC-121-30	Mach. Screw M4 x 0.7 x 8 MM Phil. Pan Hd. (Plastic) .....	6
5	WL-019-69	Lockwasher - M5 External Shakeproof .....	6
6	00-492074	Cover - Controller RFI Shield .....	1
7	00-492771-00001	Board-Control (Non-Programmable) .....	1
8	00-492771-00002	Board-Control (Programmable) .....	1
9	00-492198	Gasket .....	1
10	00-297980-00003	Switch - Reed Interlock .....	1
11	00-492071-00002	Cover .....	1
12	00-492164	Thumbscrew .....	1
13	<a href="#">SC-119-02</a>	Cap Screw M5 x 0.8 x 10 mm Hex Hd. SST .....	1
14	00-492596	Control Panel Board (Non-Programmable) .....	1
15	<a href="#">00-492441</a>	Control Panel Board (Programmable) .....	1

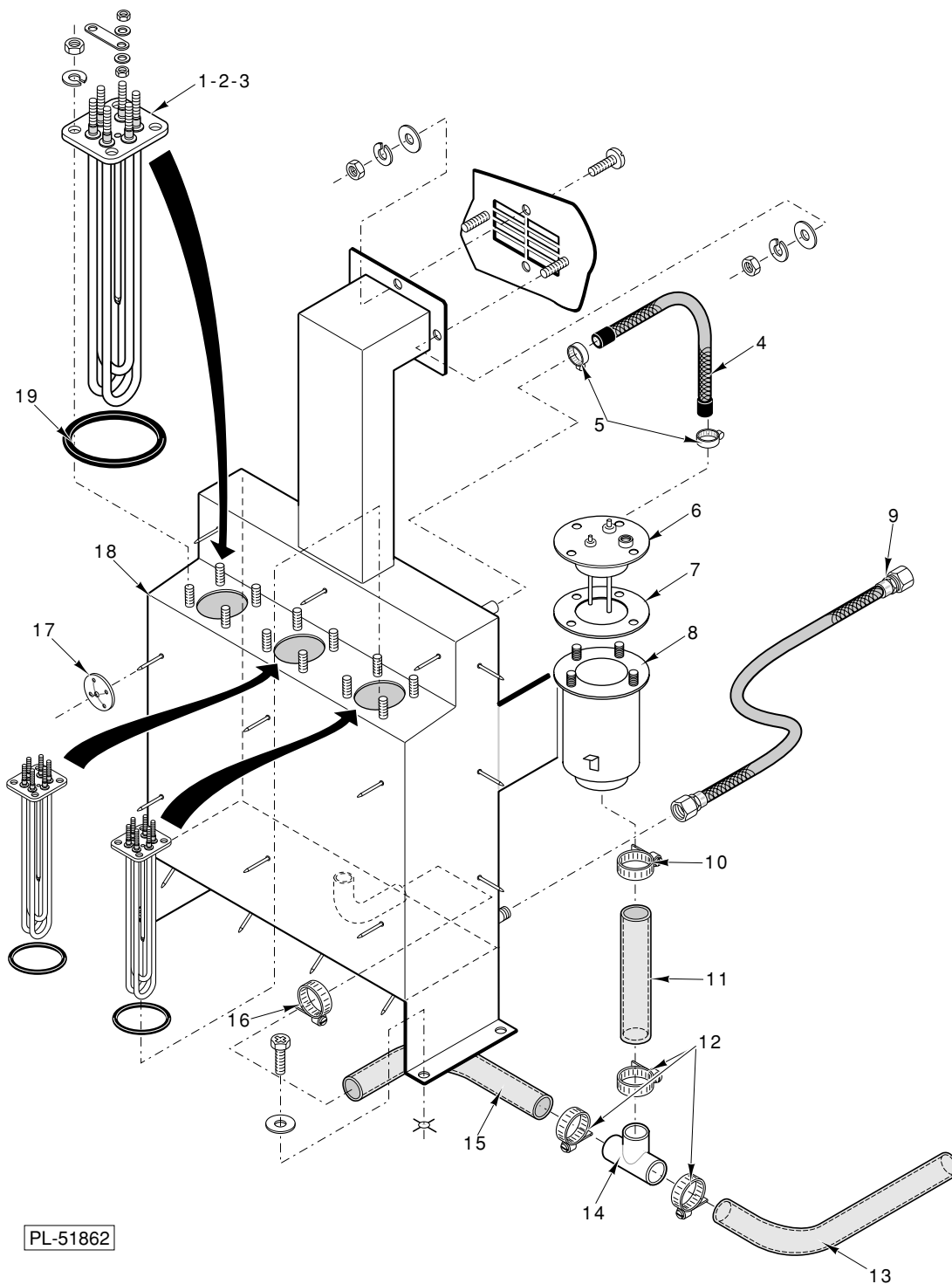


PL-51851

**ELECTRONIC CONNECTIONS**

## ELECTRONIC CONNECTIONS

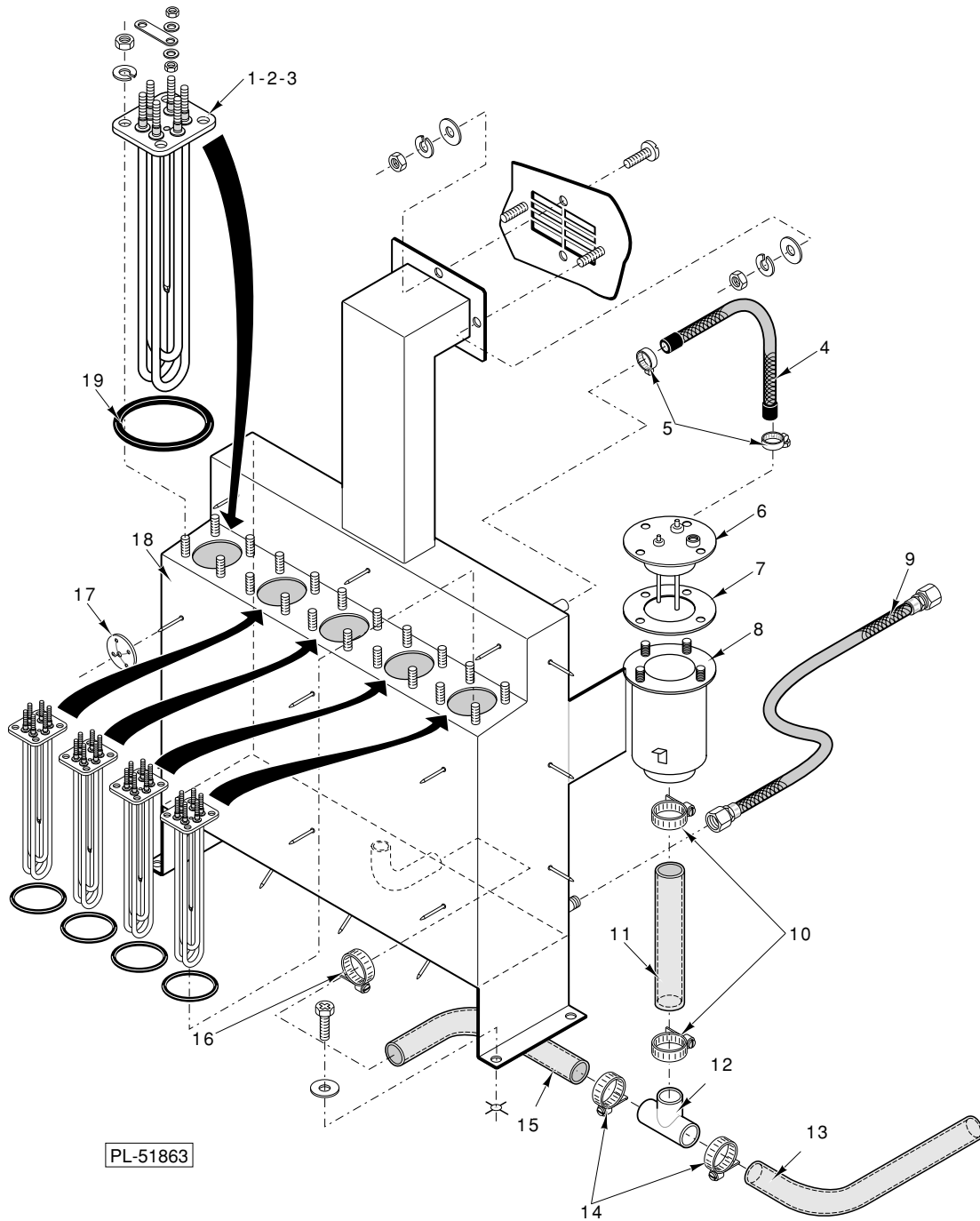
ILLUS. PL-51851	PART NO.	NAME OF PART	AMT.
1	00-135919-00028	Rail-Din .....	1
2	00-844583-00001	Control-Water Level .....	1
3	00-844887	Contacto-Door Motor .....	AR
4	00-492179	Block - Terminal 7 mm .....	2
5	00-844888	Contacto-Convection Fan (Non-Programmable) .....	2
6	00-844889	Contacto-Convection Fan (Programmable) .....	2
7	00-148393-00001	Contacts - Auxiliary Motor Protection Relay .....	1
8	00-288717-00006	Protector-Motor .....	1
9	00-148393-00001	Contacts - Auxiliary Motor Protection Relay .....	1
10	00-288717-00006	Protector-Motor .....	1
11	00-153280-00001	Contacto-Half/Full Size Convection .....	3
12	00-322159	RC Device .....	5
13	00-153276-00001	Contacto-Boiler (Half Size) .....	2
14	00-844702-00001	Contacto-Boiler (Full Size) .....	2
15	00-173864	Buzzer .....	1
16	00-322281-00001	Filter - Line (Corcom) .....	1
17	SC-118-42	Cap Screw M4 x 0.7 x 10 mm Hex Hd. SST .....	1
18	00-491765-00002	Transformer .....	1
19	SC-119-02	Cap Screw M5 x 0.8 x 10 mm Hex Hd. SST .....	AR
20	00-492189	Grommet .....	1
21	00-492994	Fan - Compartment Cooling .....	1
22	SC-118-42	Cap Screw M4 x 0.7 x 10 mm Hex Hd. SST .....	4
23	00-492173	Block - Terminal .....	2
24	00-492028	Panel-Mounting .....	1
25	00-229613-00002	Block-Terminal .....	1
26	00-229612-00002	Block-Terminal .....	3
27	00-300099-00001	Fuse - 0.5 Amp (5 x 20mm GMA) .....	1
28	00-167938	Block - Terminal Fuseholder .....	1
29	00-228428	Stop - End .....	1
30	00-492186	Fuseholder .....	3
31	00-492016	Bracket-Mounting .....	1
32	00-152480-00021	Fuse 2 Amp .....	1
33	00-152480-00022	Fuse 6.3 Amp .....	2
34	00-492105	Thermostat - High Limit .....	2
35	00-492177	RC Device .....	3
36	00-228428	Stop - End .....	1



**BOOSTER HEATER-HALF SIZE**

**BOOSTER HEATER-HALF SIZE**

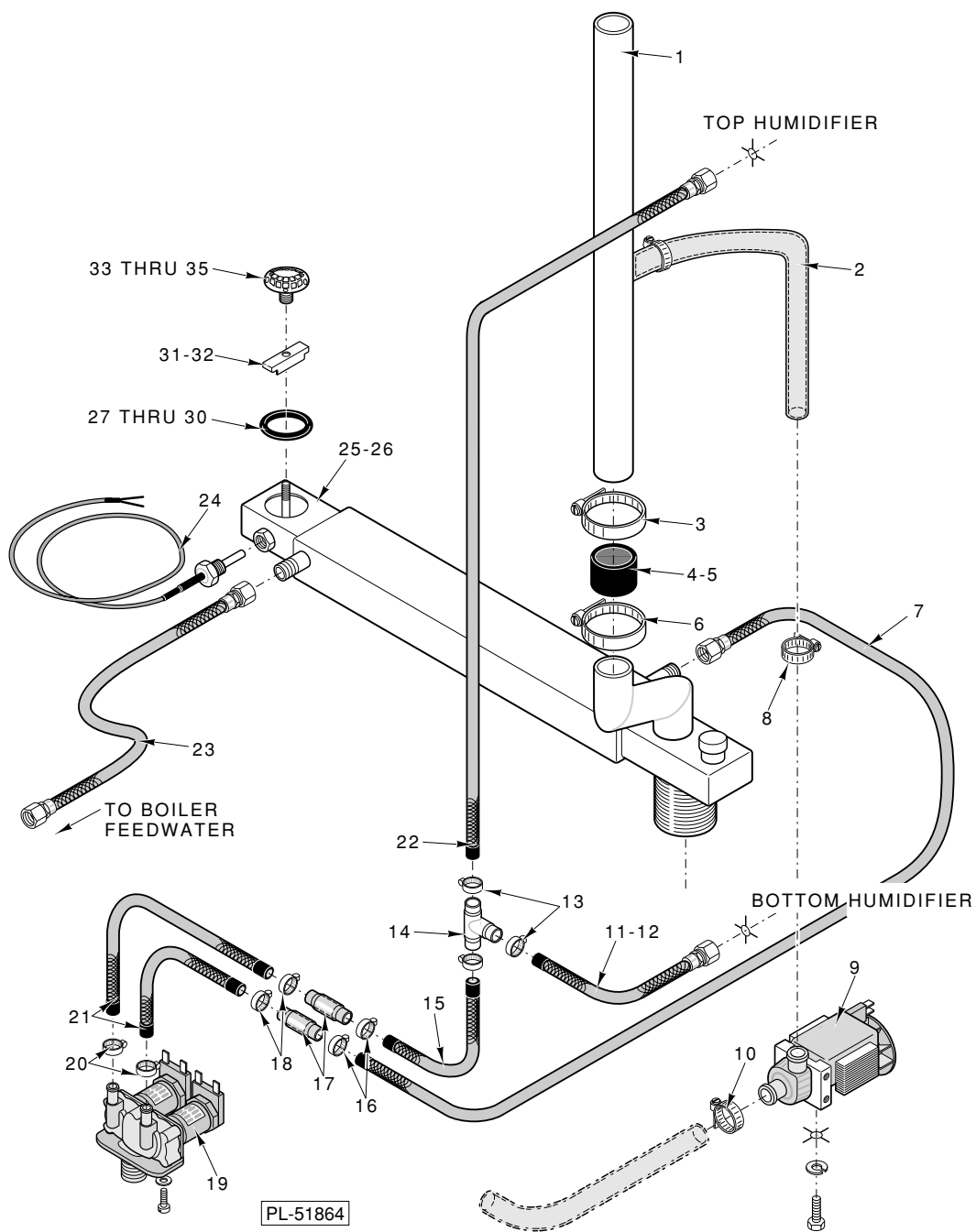
ILLUS. PL-51862	PART NO.	NAME OF PART	AMT.
1	00-844695-00001	Heat - Boiler (8 KW, 208 V.) .....	AR
2	00-491771-00001	Heater - Boiler (8 KW, 240 V) .....	AR
3	00-844695-00003	Heater - Boiler (8 KW, 480 V) .....	AR
4	00-492117-00004	Hose .....	1
5	00-166513-00001	Clamp-Hose .....	2
6	00-844721	Cover - Water Level W/Electrodes .....	1
7	00-844571	Gasket - Water Level Cannister .....	1
8	00-844572	Can - Water Level Cannister .....	1
9	00-322260-00001	Hose-Boiler to Boiler Preheater (900 mm Lg) .....	1
10	00-149978-00001	Clamp - Hose (Worm, 25 mm Dia.) .....	1
11	00-492144-00012	Hose .....	1
12	00-149978-00001	Clamp - Hose (Worm, 25 mm Dia.) .....	2
13	00-492144-00013	Hose .....	1
14	00-492195	Tee (25 mm) .....	1
15	00-492144-00011	Hose .....	1
16	00-149978-00001	Clamp - Hose (Worm, 25 mm Dia.) .....	1
17	00-233924-00001	Retainer-Insulation (Press On) .....	AR
18	00-493019	Tank-Boiler .....	1
19	00-233982-00001	O Ring-Boiler Heater Seal .....	AR



**BOOSTER HEATER-FULL SIZE**

**BOOSTER HEATER-FULL SIZE**

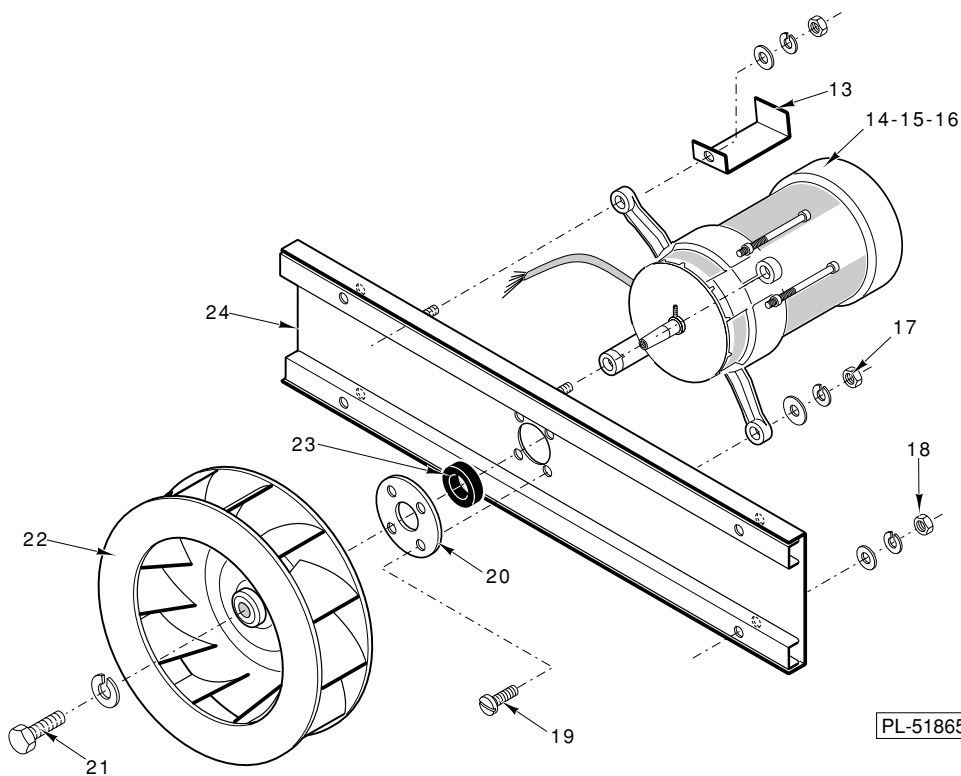
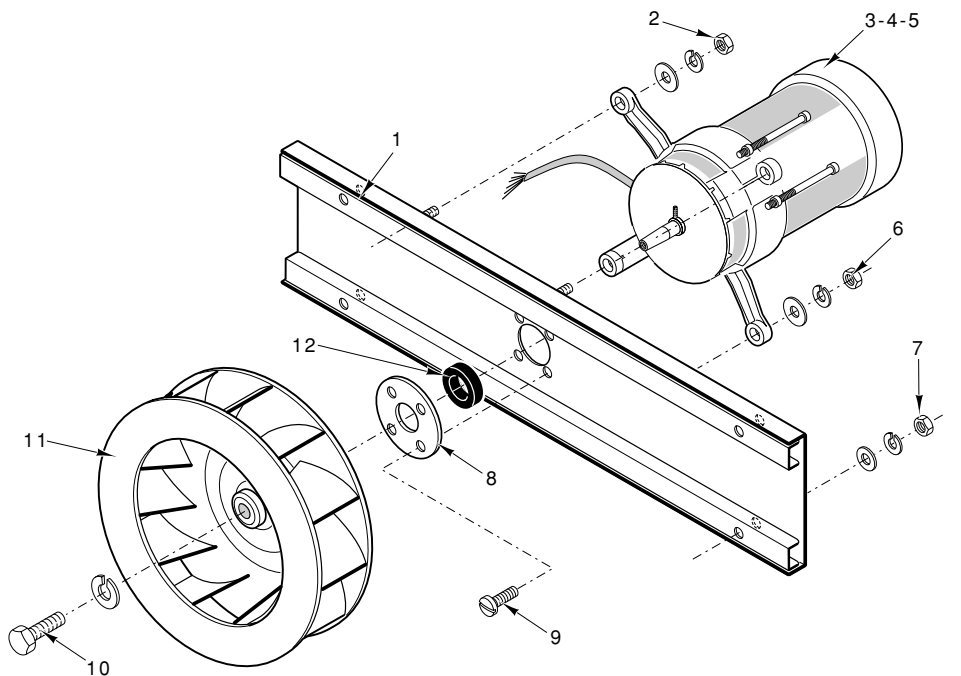
ILLUS. PL-51863	PART NO.	NAME OF PART	AMT.
1	00-844695-00001	Heat - Boiler (8 KW, 208 V.) .....	5
2	00-491771-00001	Heater - Boiler (8 KW, 240 V) .....	5
3	00-844695-00003	Heater - Boiler (8 KW, 480 V) .....	5
4	00-492117-00024	Hose .....	1
5	00-166513-00001	Clamp-Hose .....	2
6	00-844721	Cover - Water Level W/Electrodes .....	1
7	00-844571	Gasket - Water Level Cannister .....	1
8	00-844572	Can - Water Level Cannister .....	1
9	00-322260-00001	Hose-Boiler to Boiler Preheater (900 mm Lg) .....	1
10	00-149978-00001	Clamp - Hose (Worm, 25 mm Dia.) .....	2
11	00-492144-00001	Hose .....	1
12	00-492195	Tee (25 mm) .....	1
13	00-492144-00002	Hose .....	1
14	00-149978-00001	Clamp - Hose (Worm, 25 mm Dia.) .....	2
15	00-492144-00001	Hose .....	1
16	00-149978-00001	Clamp - Hose (Worm, 25 mm Dia.) .....	1
17	00-233924-00001	Retainer-Insulation (Press On) .....	AR
18	00-492018	Tank-Boiler .....	1
19	00-233982-00001	O Ring-Boiler Heater Seal .....	5



**PIPEWORK AND DRAIN**

PIPEWORK AND DRAIN

ILLUS. PL-51864	PART NO.	NAME OF PART	AMT.
1	00-492412-00004	Tube-Drain Vent .....	1
2	00-492144-00003	Tube-Covisil Drain to Pump .....	1
3	00-844575	Clamp-Hose .....	1
4	00-493028	Tube-Drain Vent Connector (Half Size) .....	1
5	00-492202	Tube-Drain Vent Connector (Full Size) .....	1
6	00-844575	Clamp-Hose .....	1
7	00-322137-00006	Hose-Backflow to Injector .....	1
8	00-149978-00001	Clamp - Hose (Worm, 25 mm Dia.) .....	1
9	00-491754-00001	Pump-Boiler Drain .....	1
10	00-149978-00001	Clamp - Hose (Worm, 25 mm Dia.) .....	1
11	00-322137-00006	Hose-Backflow to Injector (Half Size) .....	1
12	00-322137-00001	Hose-Backflow to Injector (Full Size) .....	1
13	00-166513-00001	Clamp-Hose .....	2
14	00-492116	Tee .....	1
15	00-492117-00002	Tube .....	1
16	00-166513-00001	Clamp-Hose .....	2
17	00-491751	Valve - Check .....	2
18	00-166513-00001	Clamp-Hose .....	2
19	00-492118	Solenoid-Valve (Water Inlet) .....	1
20	00-166513-00001	Clamp-Hose .....	2
21	00-492117-00001	Hose-Solenoid Valve to Backflow .....	2
22	00-322137-00005	Hose-Solenoid to Drain .....	1
23	00-322260-00001	Hose-Boiler to Boiler Preheater (900 mm Lg) .....	1
24	00-322135	Probe - Temperature (L=2400) .....	1
25	00-844750	Drain Tube Assy. W/Integral Boiler Pre-Heater (Half Size) .....	1
26	00-844751	Drain Tube Assy. W/Integral Boiler Pre-Heater (Full Size) .....	1
27	00-153306	O Ring .....	1
28	00-233982-00006	O Ring .....	1
29	00-491768	O Ring .....	1
30	00-233982-00007	O Ring .....	1
31	00-493544	Bracket-Interior Drain Strain (Half Size) .....	1
32	00-493545	Bracket-Interior Drain Strain (Full Size) .....	1
33	00-322177	Knob (Half Size) .....	1
34	00-491997	Knob .....	1
35	00-493543	Knob .....	1

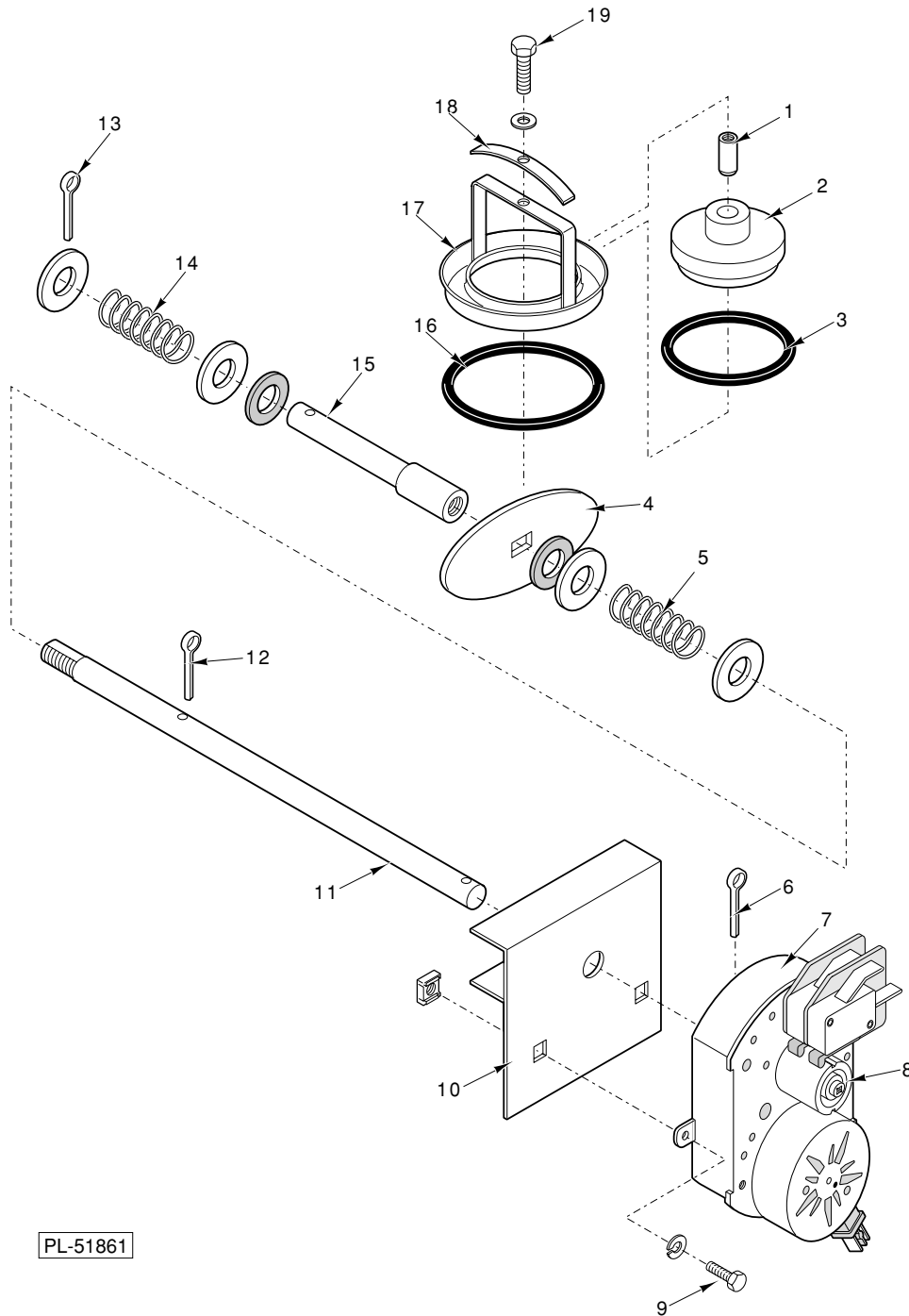


PL-51865

**VENTILATION**

**VENTILATION**

ILLUS. PL-51865	PART NO.	NAME OF PART	AMT.
1	00-491969	Bracket - Motor Mounting .....	1
2	NS-047-13	Nut - M6 x 1.0 Hex SST .....	2
3	00-233800-00004	Fan Motor (220/380/240/415/50/3)(Half Size, Non-Programmable) .....	1
4	00-233800-00002	Fan Motor (380/50/3)(Half Size, Programmable) .....	1
5	00-233800-00001	Fan Motor (220/240/50/3)(Half Size, Programmable) .....	1
6	NS-047-13	Nut - M6 x 1.0 Hex SST .....	2
7	NS-047-13	Nut - M6 x 1.0 Hex SST .....	4
8	00-492108	Cover - Convection Fan Seal .....	1
9	SC-118-42	Cap Screw M4 x 0.7 x 10 mm Hex Hd. SST .....	4
10	SC-121-17	Cap Screw M10 x 20mm Hex Hd. ....	1
11	00-233978-00002	Air Rotor - Convection .....	1
12	00-322190-00001	Seal - Convection .....	1
13	00-491973	Bracket .....	1
14	00-233800-00004	Fan Motor (220/380/240/415/50/3)(Half Size, Non-Programmable) .....	1
15	00-233800-00002	Fan Motor (380/50/3)(Half Size, Programmable) .....	1
16	00-233800-00001	Fan Motor (220/240/50/3)(Half Size, Programmable) .....	1
17	NS-047-13	Nut - M6 x 1.0 Hex SST .....	2
18	NS-047-13	Nut - M6 x 1.0 Hex SST .....	4
19	SC-118-42	Cap Screw M4 x 0.7 x 10 mm Hex Hd. SST .....	4
20	00-492108	Cover - Convection Fan Seal .....	1
21	SC-121-17	Cap Screw M10 x 20mm Hex Hd. ....	1
22	00-233978-00002	Air Rotor - Convection .....	1
23	00-322190-00001	Seal - Convection .....	1
24	00-491969	Bracket - Motor Mounting .....	1

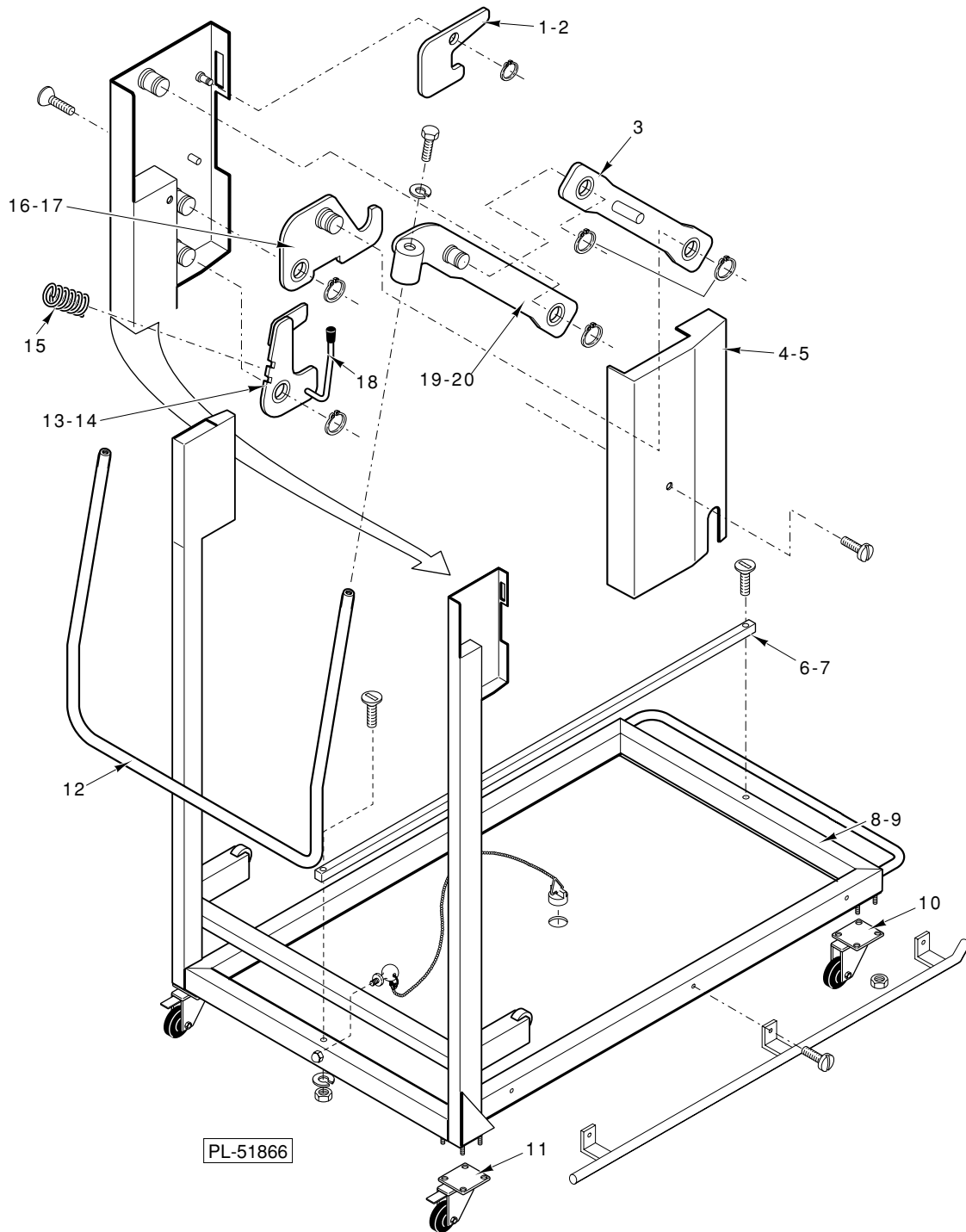


PL-51861

**VENT ASSEMBLY**

**VENT ASSEMBLY**

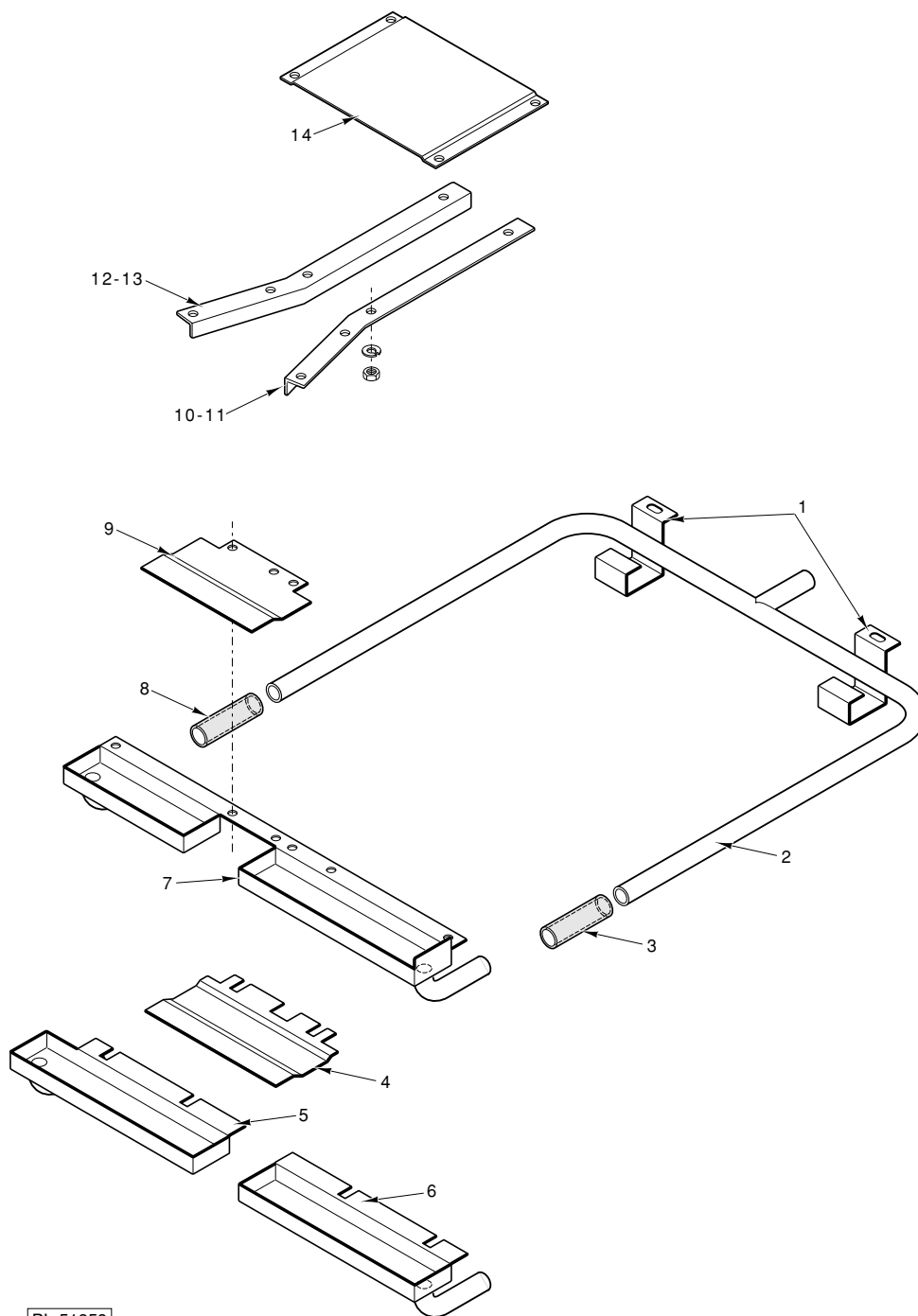
ILLUS. PL-51861	PART NO.	NAME OF PART	AMT.
1	00-322061	Shaft - Guide .....	1
2	00-152972	Vent .....	1
3	00-233982-00004	O-Ring .....	1
4	00-233955	Disc .....	1
5	00-322083	Spring .....	1
6	00-602884	Pin - Cotter .....	1
7	00-233979-00001	Motor - Fan .....	1
8	00-322064	Cam .....	1
9	SC-119-02	Cap Screw M5 x 0.8 x 10 mm Hex Hd. SST .....	2
10	00-491991	Plate .....	1
11	00-492103	Shaft - Drive .....	1
12	00-602884	Pin - Cotter .....	1
13	00-602884	Pin - Cotter .....	1
14	00-322083	Spring .....	1
15	00-492107	Pipe .....	1
16	00-233982-00005	O-Ring .....	1
17	00-322127	Housing .....	1
18	00-322303	Spring .....	1
19	SC-120-49	Cap Screw M5 x 0.8 x 20mm Hex Hd. ....	1



**CARRIAGE**

**CARRIAGE**

ILLUS. PL-51866	PART NO.	NAME OF PART	AMT.
1	00-492755	Catch-Interlock (R.H.) .....	1
2	00-492754	Catch-Interlock (L.H.) .....	1
3	00-492762	Brace .....	1
4	00-492764	Cover (R.H.) .....	1
5	00-492763	Cover (L.H.) .....	1
6	00-492765-00002	Brace (Full Size) .....	1
7	00-492765-00001	Brace (Half Size) .....	1
8	00-492768	Carriage (Full Size) .....	1
9	00-493093	Carriage (Full Size) .....	1
10	00-492770	Caster .....	2
11	00-492769	Caster W/Brake .....	2
12	00-492767	Handle .....	1
13	00-492761	Linkage, Handle R.H. ....	1
14	00-492760	Linkage, Handle L.H. ....	1
15	00-322083	Spring .....	1
16	00-492757	Linkage, Hook R.H. ....	1
17	00-492756	Linkage, Hook L.H. ....	1
18	00-492772	Handle .....	1
19	00-492759	Brace R.H. ....	1
20	00-492758	Brace L.H. ....	1

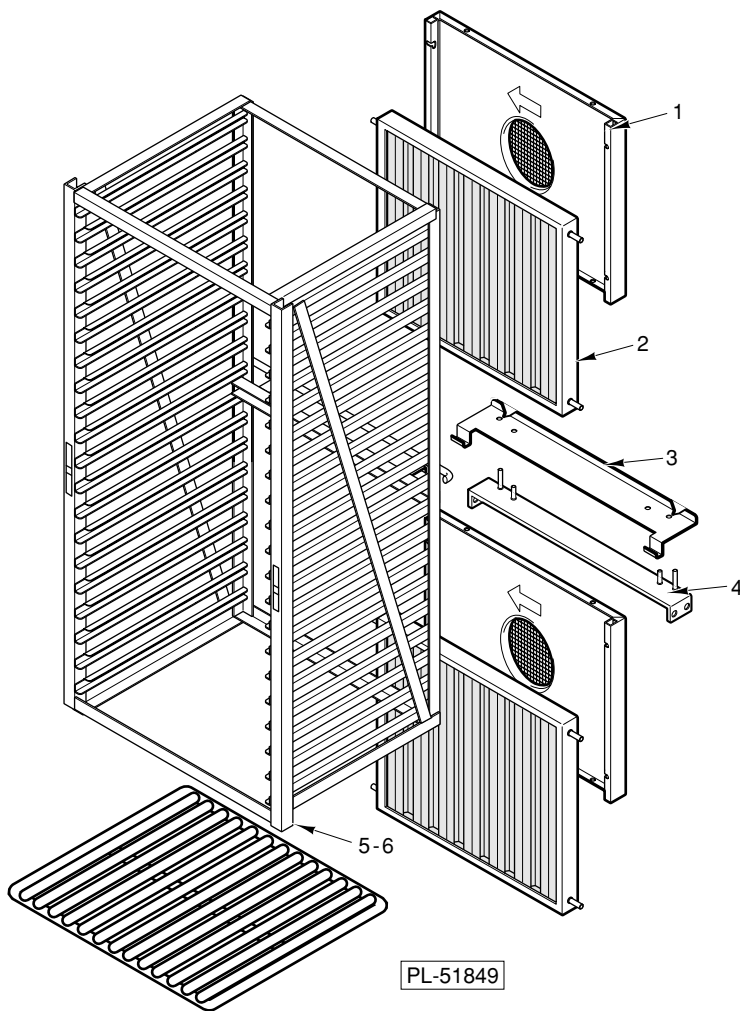


PL-51859

**FRAMEWORK**

**FRAMEWORK**

ILLUS. PL-51859	PART NO.	NAME OF PART	AMT.
1	00-492482	Bracket-Hook .....	2
2	00-492484-00002	Tubing .....	1
3	00-492483	Tubing .....	1
4	00-492964	Cover .....	1
5	00-492965	Tray (L.H.) .....	1
6	00-492966	Tray (R.H.) .....	1
7	00-492480	Tray Assy. ....	1
8	00-492483	Tubing .....	1
9	00-492481	Cover .....	1
10	00-492486	Brace (R.H.) .....	1
11	00-322259	Brace-Trolley (R.H. Guide) .....	1
12	00-492485	Brace (L.H.) .....	1
13	00-322258	Brace-Trolley (L.H. Guide) .....	1
14	00-491988	Cover .....	1



**FILTER AND CARRIAGE**

ILLUS. PL-51849	PART NO.	NAME OF PART	AMT.
1	00-492075	Panel - Filter .....	1
2	00-233836-00002	Filter - Flat .....	1
3	00-492967	Plate-Support .....	1
4	00-332306	Plate-Support .....	1
5	00-492948	Rack-Insert (Half Size) .....	1
6	00-492773	Rack-Insert (Full Size) .....	1