

# VULCAN

## CATALOG OF REPLACEMENT PARTS

### COMBI GAS OVENS

*MODELS*

ML-52444

VC10FGP

ML-52441

VC10HGP



VULCAN-HART COMPANY, P.O. BOX 696, LOUISVILLE, KY 40201-0696, TEL. (502) 778-2791

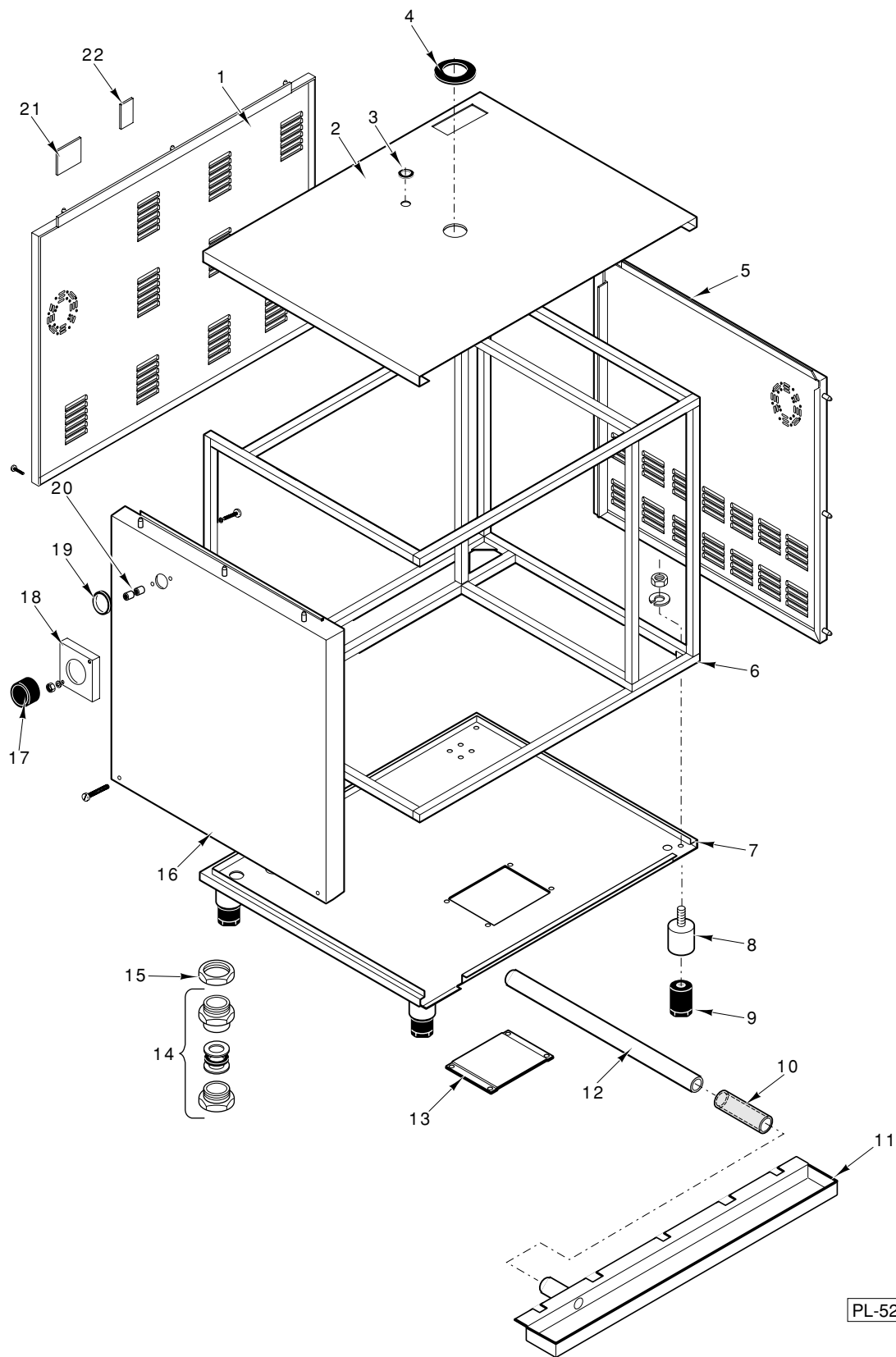
FORM 31009 (9-97)



# TABLE OF CONTENTS

## COMBI GAS OVENS FORM 31009

PAGE	DESCRIPTION
2	BLANK PAGE
3	TABLE OF CONTENTS
5	FRAME & PANELS (FULL SIZE)
7	FRAME & PANELS (HALF SIZE)
9	CAVITY & HEATING ELEMENT
11	DOOR ASSEMBLY
13	INTERLOCKING DOOR
15	ELECTRONIC CONTROLS
17	PIPEWORK & DRAIN
19	VENTILATION UNIT 1
21	VENTILATION OURA
23	FILTER & CARRIAGE
25	VENTILATION UNIT 2
27	GAS CONNECTIONS (HALF SIZE)
29	GAS CONNECTIONS (FULL SIZE)
31	GAS COMPONENTS (HALF SIZE)
33	GAS COMPONENTS (FULL SIZE)
35	BOOSTER HEATER (GAS)
37	ELECTRICAL COMPONENT PANEL
39	TABLE & TROLLEY ASSEMBLY

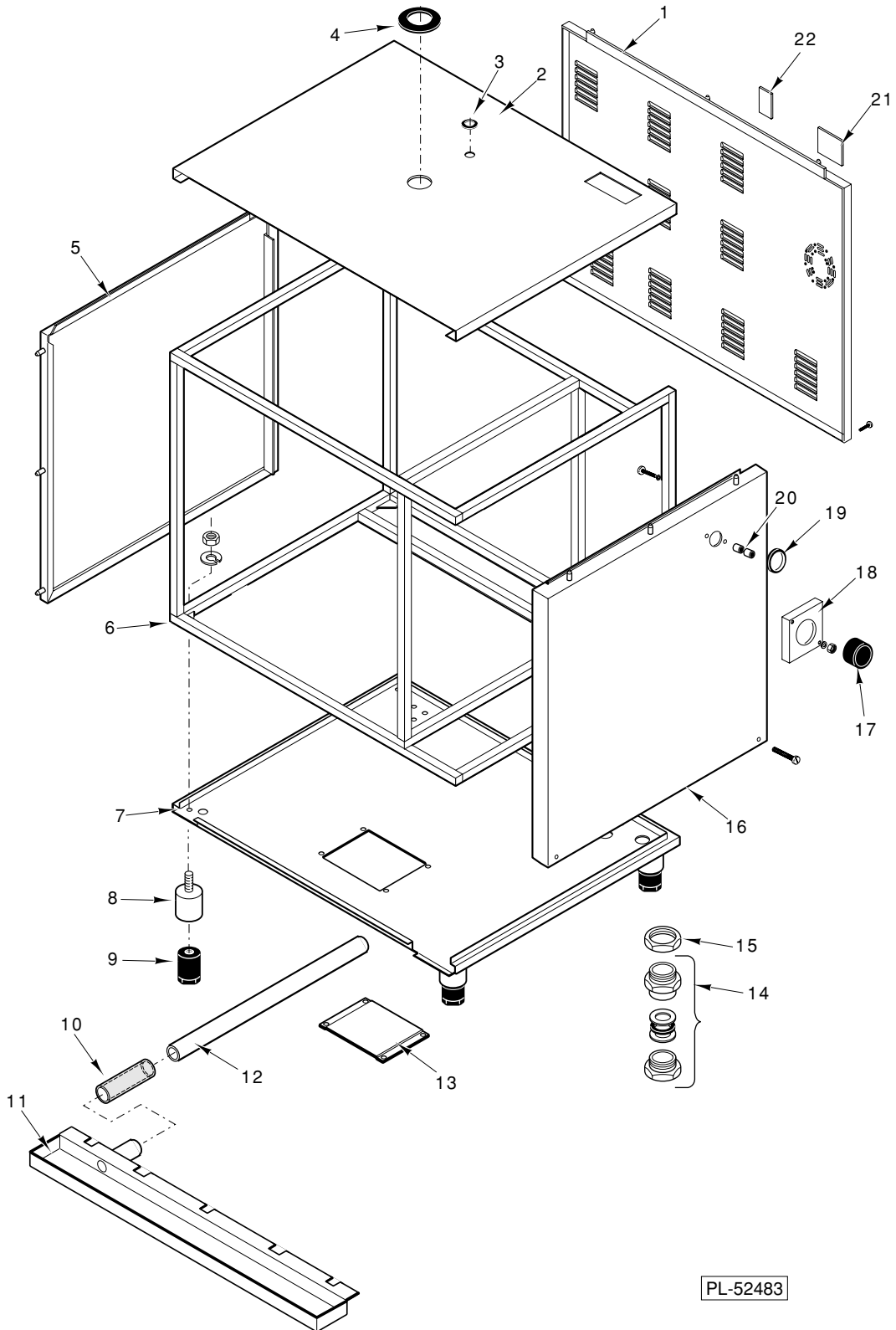


PL-52443

**FRAME & PANELS  
(FULL SIZE)**

### FRAME & PANELS (FULL SIZE)

ILLUS. PL-52443	PART NO.	NAME OF PART	AMT.
1	00-845117	Panel-Back (10 Full Gas) .....	1
2	00-845118	Panel-Top (10 Full Gas) .....	1
3	00-492110	Grommet - Drain Pipe Vent .....	1
4	00-492183	Grommet 3" Vent Tube .....	1
5	00-845119	Panel (R.H. Side)(10 Full Gas) .....	1
6	00-845115	Frame (10 Full Gas) .....	1
7	00-845120	Panel-Bottom (10 Full Gas) .....	1
8	00-492357	Leg .....	2
9	00-322110	Insert - Plastic .....	1
10	00-492483	Tubing .....	1
11	00-492473	Gutter-Condensate (10 Gas) .....	1
12	00-492475-00002	Pipe - Gutter Drain .....	6
13	00-491988	Cover .....	6
14	00-845081-00002	Connector-Insulated Throat Straight .....	1
15	00-845081-00001	Connector-Hex Nut .....	1
16	00-845116	Panel (L.H. Side) (10 Full Gas) .....	2
17	00-493541	Filter - Air .....	2
18	00-844917	Cover-Filter .....	1
19	00-492183	Grommet 3" Vent Tube .....	1
20	00-845107	Tube-Spacer .....	1
21	00-844675	Label - Water Hook-Up .....	1
22	00-844674	Label - Elect. Warning .....	1

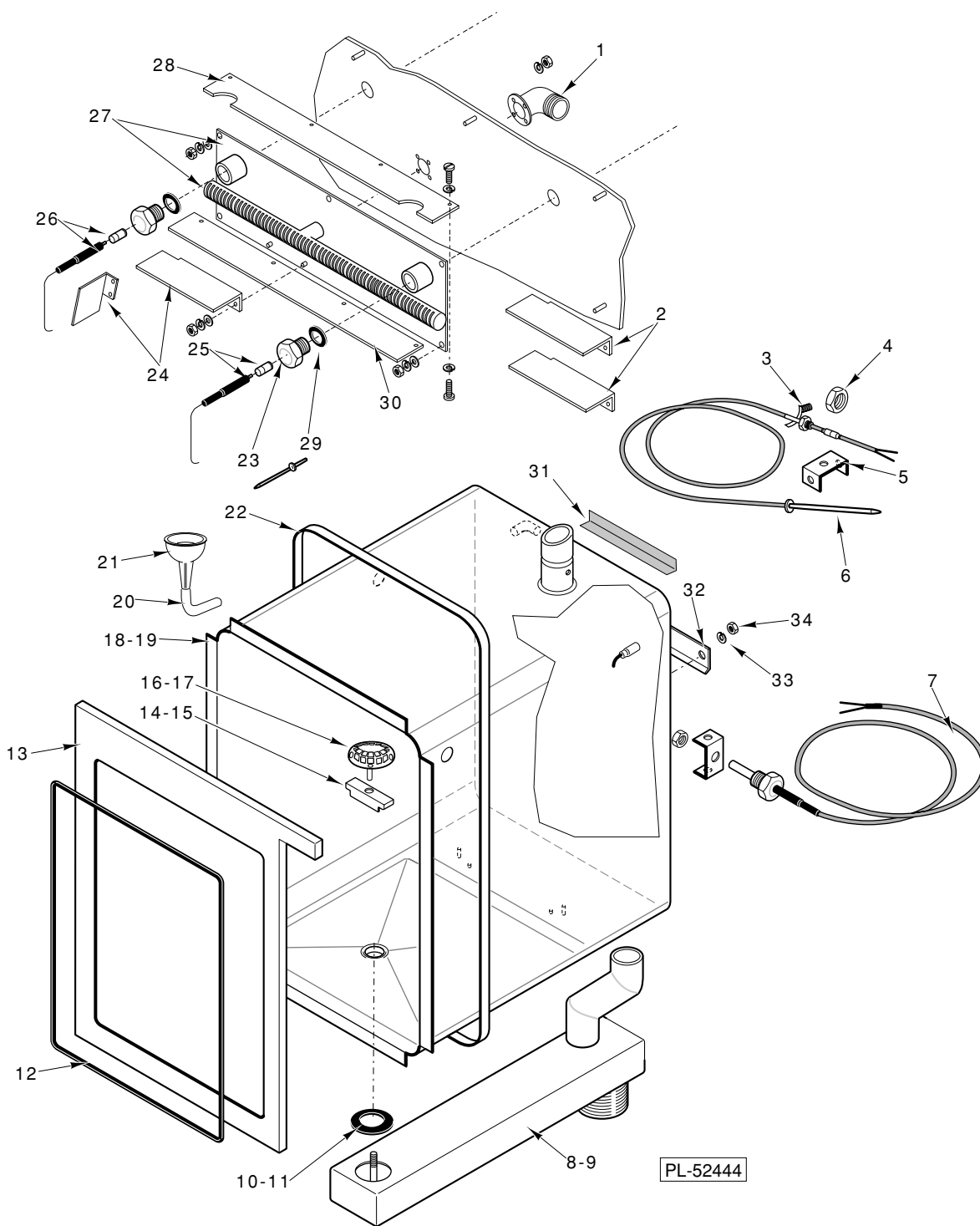


PL-52483

**FRAME & PANELS  
(HALF SIZE)**

**FRAME & PANELS  
(HALF SIZE)**

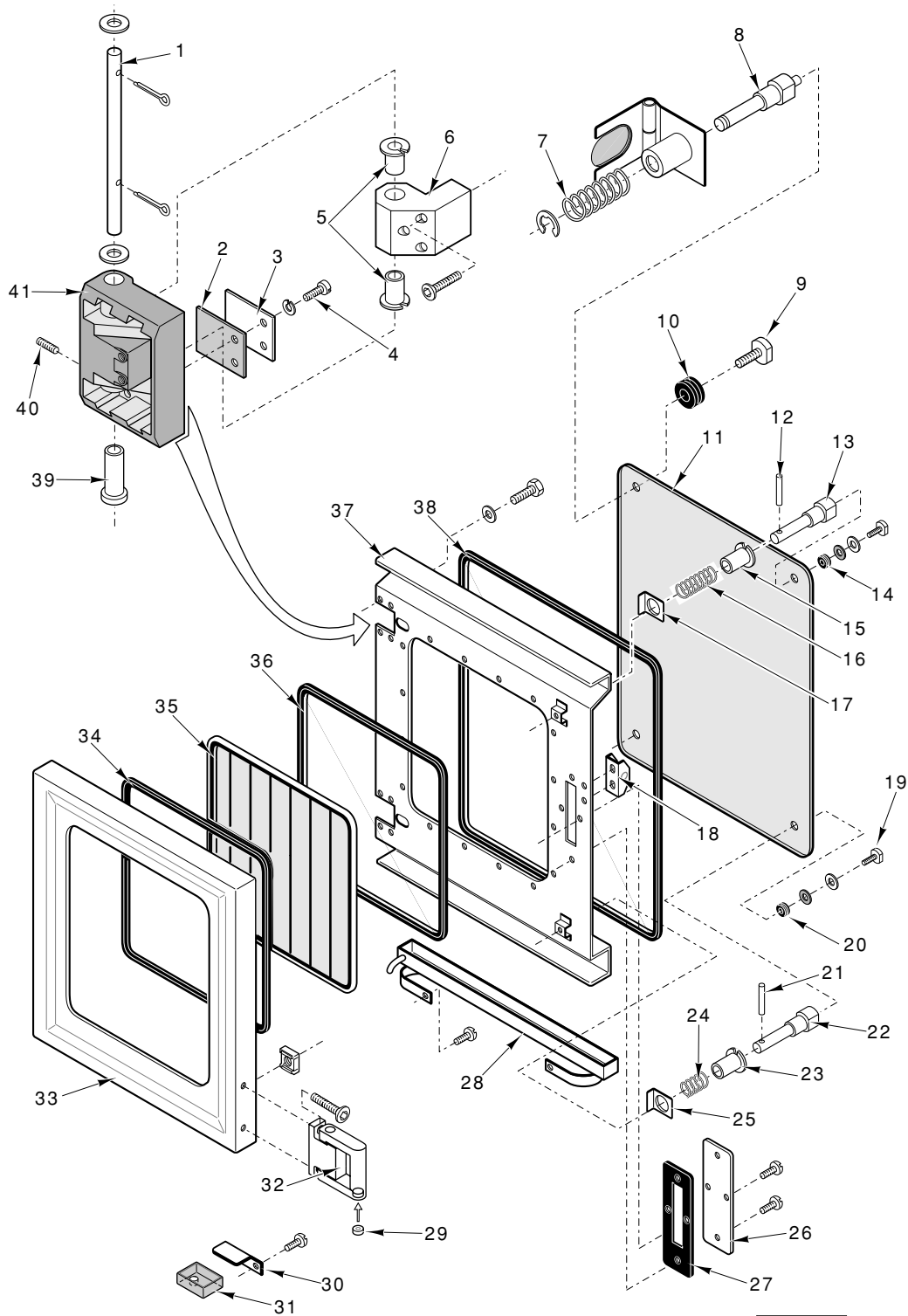
ILLUS. PL-52483	PART NO.	NAME OF PART	AMT.
1	00-844600	Panel-Back (10 Half Gas) .....	1
2	00-844599	Panel-Top (10 Half Gas) .....	1
3	00-492110	Grommet - Drain Pipe Vent .....	1
4	00-492183	Grommet 3" Vent Tube .....	1
5	00-492077-00002	Panel (L.H. Side)(10 Half Gas) .....	1
6	00-844603	Frame (10 Half Gas) .....	1
7	00-844601	Panel-Bottom (10 Half Gas) .....	1
8	00-492357	Leg .....	2
9	00-322110	Insert - Plastic .....	1
10	00-492483	Tubing .....	1
11	00-492473	Gutter-Condensate (6 & 10 Level Combi) .....	1
12	00-492475-00002	Pipe - Gutter Drain .....	6
13	00-491988	Cover .....	6
14	00-845081-00002	Connector-Insulated Throat Straight .....	1
15	00-845081-00001	Connector-Hex Nut .....	1
16	00-844602	Panel (R.H. Side) (10 Half Gas) .....	2
17	00-493541	Filter - Air .....	2
18	00-844917	Cover-Filter .....	1
19	00-492183	Grommet 3" Vent Tube .....	1
20	00-845107	Tube-Spacer .....	1
21	00-844675	Label - Water Hook-Up .....	1
22	00-844674	Label - Elect. Warning .....	1



**CAVITY & HEATING ELEMENT**

## CAVITY &amp; HEATING ELEMENT

ILLUS. PL-52444	PART NO.	NAME OF PART	AMT.
1	00-844612	Fitting - Burner .....	1
2	00-844611	Baffle - Air .....	2
3	00-322369	Plate - Screw .....	1
4	NS-047-52	Full Nut M10 Hex .....	1
5	00-322426	Bracket - Meat Probe .....	1
6	00-844919-00002	Probe - Thermocouple J 4mm .....	1
7	00-492997	Thermocouple, Cavity J .....	1
8	00-844614	Drain - Weldment (10 Half Gas) .....	1
9	00-845121	Drain - Weldment (10 Full Gas) .....	1
10	00-233982-00006	O Ring .....	1
11	00-233982-00007	Gasket - Drain (Full Size 62.87 ID x 10.66 OD) .....	1
12	00-492455	Gasket - Cavity Face Seal .....	1
13	00-492348-00002	Frame - Cavity .....	1
14	00-493544	Bracket - Interior Drain Strain (Half) .....	1
15	00-493545	Retainer - Drain (Full Size) .....	1
16	00-493542	Knob .....	1
17	00-493543	Strainer - (Full Size) .....	1
18	00-844613	Cavity (Half Gas) .....	1
19	00-845122	Cavity (Full Size) .....	1
20	00-844672-00001	Hose - Deliming (18mm 1D x 24mm OD x 720mm Long) .....	1
21	00-492201	Funnel - Deliming .....	1
22	00-492449	Strap-Insulation .....	3
23	00-844610	Fitting - Electrode Bolt .....	2
24	00-844611	Baffle - Air .....	2
25	00-844804	Electrode - Flame Sensor .....	1
26	00-844803	Electrode - Flame Ignitor .....	1
27	00-844607	Burner - Gas Combi .....	1
28	00-844608	Deflector - Burner Top .....	1
29	00-493927	Gasket (13mm ID x 18mm OD) .....	2
30	00-844609	Deflector - Burner .....	1
31	00-153333	Insulator - High Limit Bulbs .....	1
32	00-322194	Bracket - High Limit Probe .....	1
33	WL-019-69	Lockwasher - M5 External Shakeproof .....	1
34	NS-047-37	Nut - M5 X 0.8 Hex SST .....	2

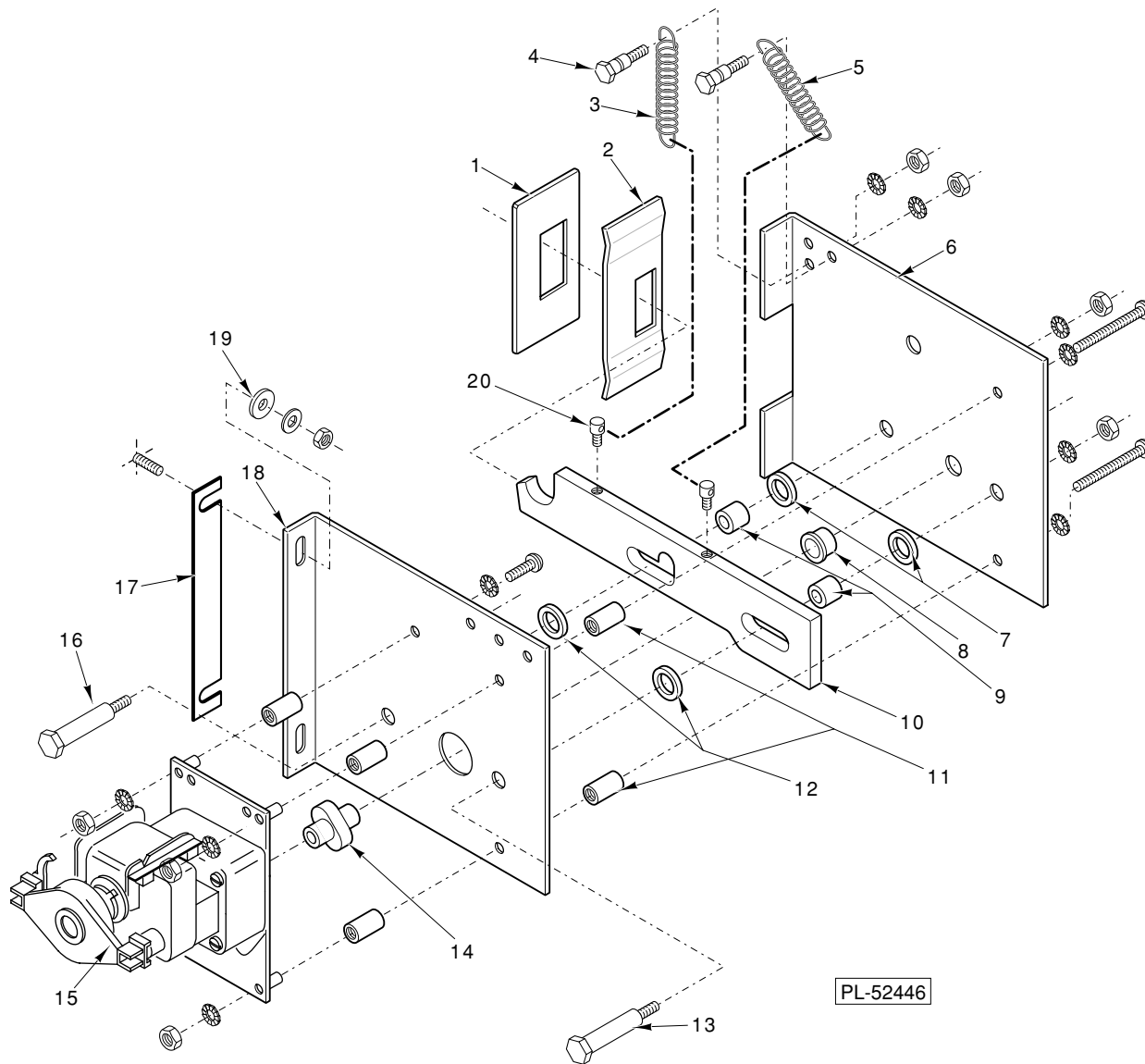


PL-52779

**DOOR ASSEMBLY**

## DOOR ASSEMBLY

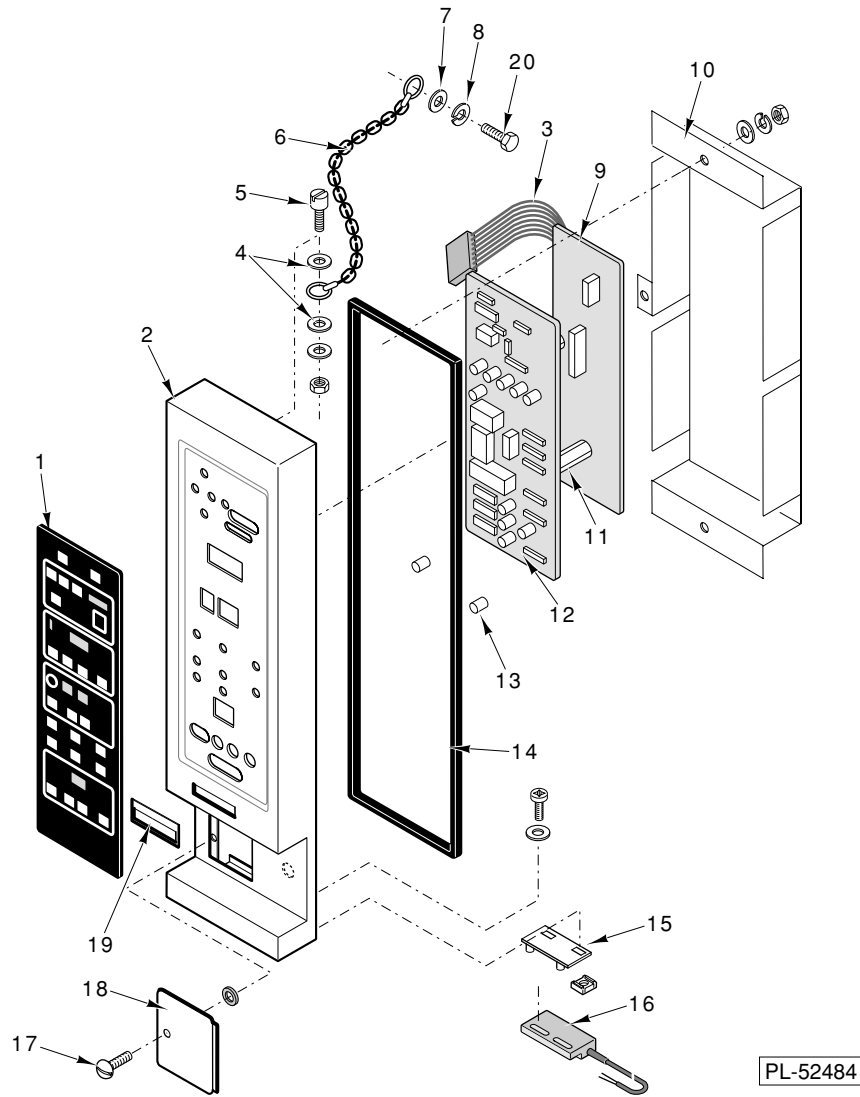
ILLUS. PL-52779	PART NO.	NAME OF PART	AMT.
1	00-492145-00002	Pin - Hinge .....	1
2	00-492148	Spacer - Door .....	1
3	00-492043	Plate .....	1
4	SC-200-15	Cap Screw M4 x 0.7 x 10 MM Socket Hex Hd. ....	2
5	00-844566	Bushing 8 mm .....	2
6	00-492147	Hinge .....	1
7	00-492154	Spring .....	1
8	00-492152	Stud .....	1
9	00-492158	Thumb Screw - Inner Glass .....	1
10	00-491760	Gasket .....	1
11	00-492465	Inner Door Glass .....	1
12	00-844567	Pin .....	1
13	00-492436	Shaft .....	1
14	00-491760	Gasket .....	1
15	00-844568	Ring 14mm .....	1
16	00-492154	Spring .....	1
17	00-492488	Clip - Door .....	1
18	00-492380	Catch - Door .....	1
19	00-492159	Thumb Screw - Inner Glass .....	4
20	00-491760	Gasket .....	4
21	00-844567	Pin .....	1
22	00-492436	Shaft .....	1
23	00-844568	Ring 14mm .....	1
24	00-492155	Spring .....	1
25	00-492488	Clip - Door .....	1
26	00-845731	Cover - Door Light W/Lock .....	1
27	00-491758	Gasket - Door Light W/Lock .....	1
28	00-492053	Tray - Drip .....	1
29	00-170016	Magnet .....	2
30	00-492487	Bracket .....	1
31	00-492440	Tray-Drip .....	1
32	00-494203-00001	Handle - Door .....	1
33	00-493550	Panel - Door Outer .....	1
34	00-492462	Gasket .....	1
35	00-844712	Window-External .....	1
36	00-149915-00002	Joint .....	1
37	00-492463	Panel - Door Inner .....	1
38	00-492463	Panel - Door Inner .....	1
39	00-492215	Bushing .....	1
40	00-844569	Pin .....	1
41	00-492146	Hinge .....	1



**INTERLOCKING DOOR**

## INTERLOCKING DOOR

ILLUS. PL-52446	PART NO.	NAME OF PART	AMT.
1	00-492916	Plate .....	1
2	00-492968	Plate .....	1
3	00-491985	Spring - Tension .....	1
4	00-492419	Screw .....	2
5	00-491985	Spring - Tension .....	1
6	00-844918	Plate - Rear Door Latch Assy. ....	1
7	00-492423	Washer .....	2
8	00-492114	Bushing .....	1
9	00-492424	Spacer .....	2
10	00-492420	Hook .....	1
11	00-492425	Spacer .....	2
12	00-492423	Washer .....	2
13	00-492422	Screw .....	1
14	00-492427	Cam 6 mm Hole .....	1
15	00-844704	Motor-Door Closing .....	1
16	00-492422	Screw .....	1
17	00-492011	Spacer Plate .....	1
18	00-492366	Plate .....	1
19	00-149940-00024	Washer .....	2
20	00-492421	Axle - Spring .....	2

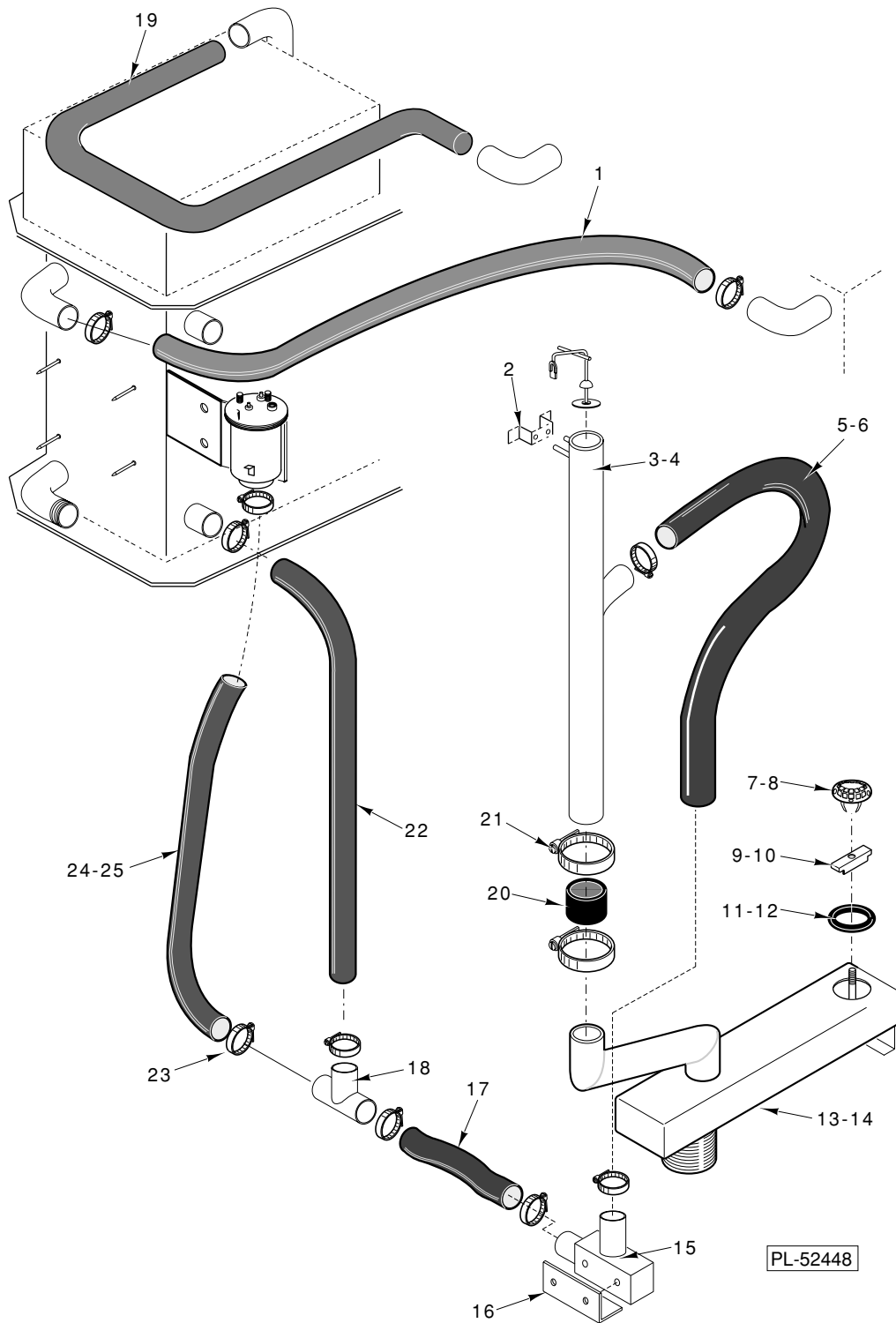


PL-52484

**ELECTRONIC CONTROLS**

## ELECTRONIC CONTROLS

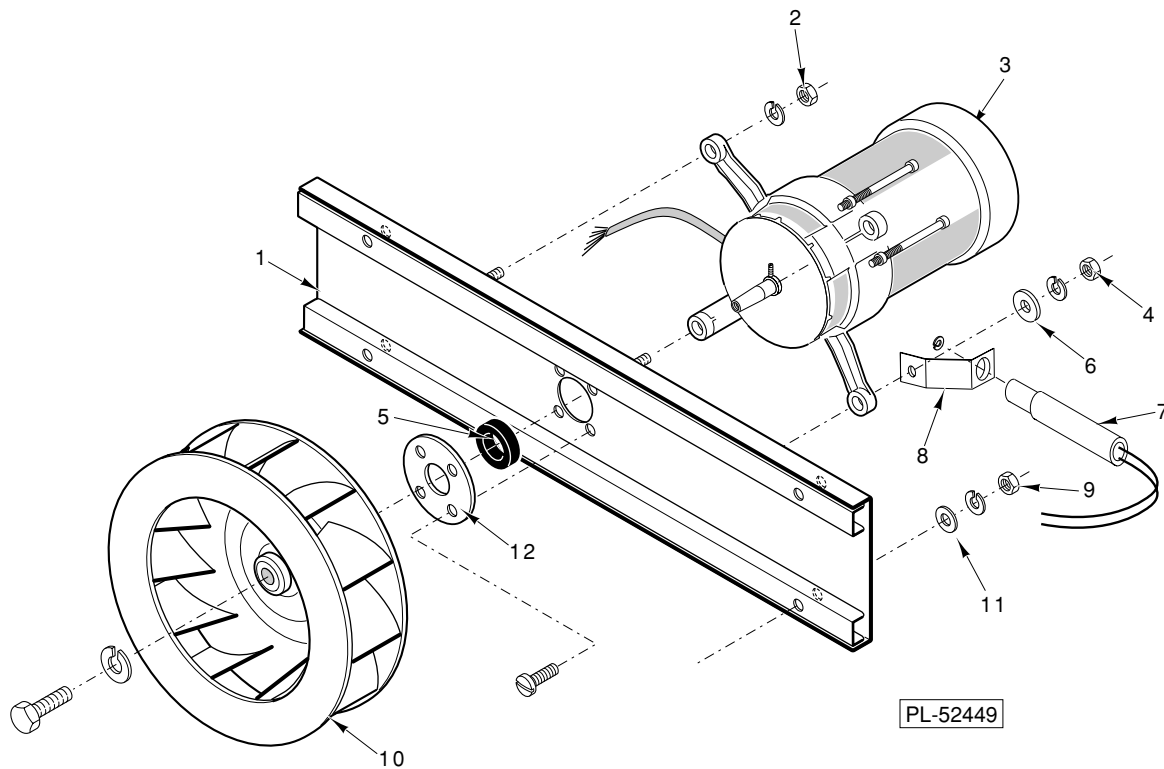
ILLUS. PL-52484	PART NO.	NAME OF PART	AMT.
1	00-845094	Control Panel .....	1
2	00-845126	Enclosure - Controller .....	1
3	00-845131-00001	Cable - Harness .....	1
4	00-492168	Washer .....	2
5	00-492167	Screw .....	1
6	00-149940-00052	Cable Restraint - Control Panel .....	1
7	00-492168	Washer .....	1
8	WL-019-69	Lockwasher - M5 External Shakeproof .....	1
9	00-492988	Board - Principal Control .....	1
10	00-844655	Cover - Control Board Protector .....	1
11	00-845105	Spacer - Hex Rod .....	1
12	00-844945-00002	Keypad - Control Board .....	1
13	00-845106	Spacer .....	1
14	00-492472	Gasket-Front Panel .....	2
15	00-845103	Bracket - Switch .....	1
16	00-845104	Switch - Door .....	1
17	SC-119-02	Cap Screw M5 x 0.8 x 10 mm Hex Hd. SST .....	1
18	00-492395	Panel - Fuse Access .....	1
19	00-845101	Window .....	1
20	SC-122-41	Cap Screw M5 x 0.8 x 172 mm Hex Hd. SST .....	1



**PIPEWORK AND DRAIN**

## PIPEWORK AND DRAIN

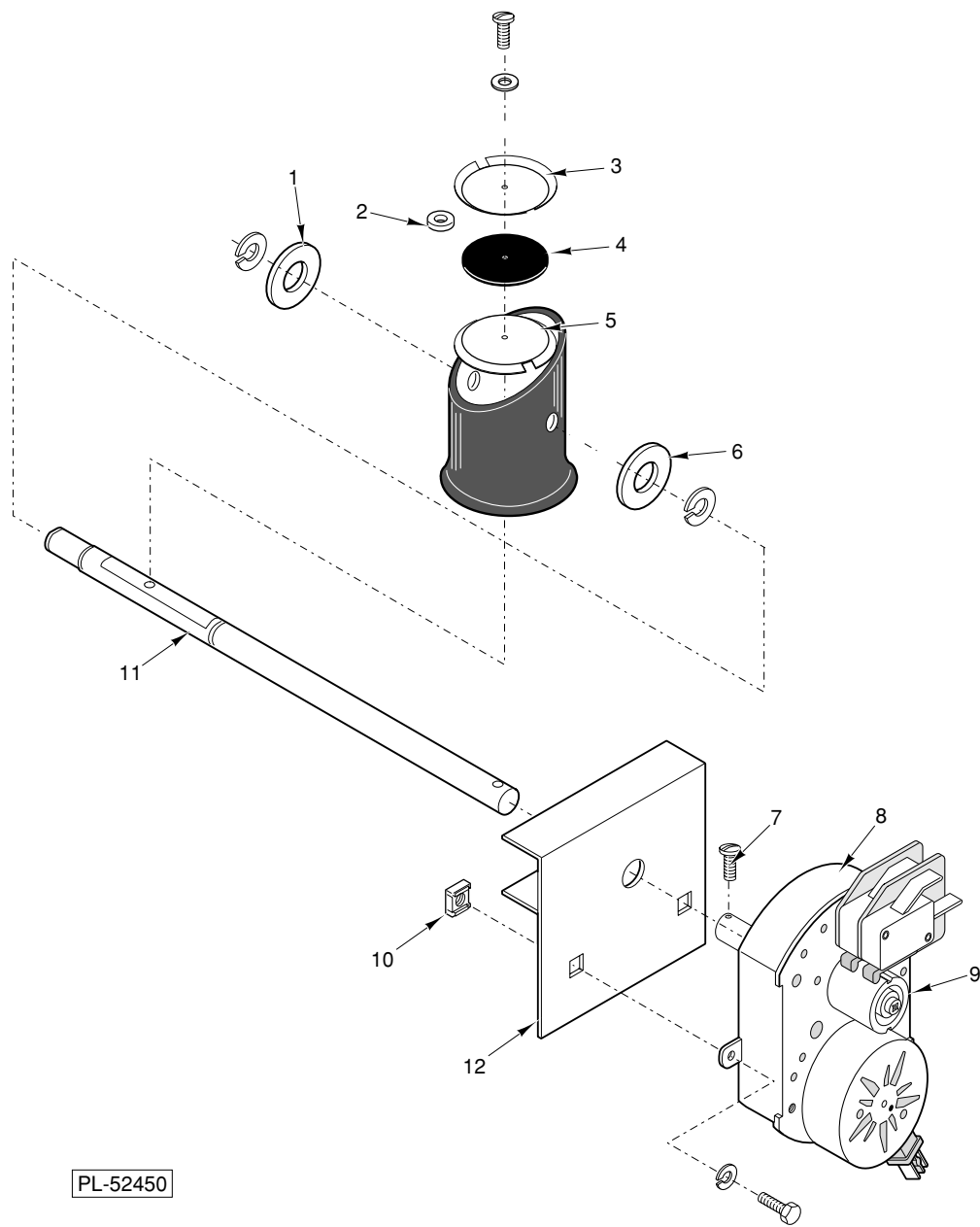
ILLUS. PL-52448	PART NO.	NAME OF PART	AMT.
1	00-844670-00002	Tube (25/35) .....	1
2	00-845092	Support - Tube .....	1
3	00-845108	Vent - Drain Tube (10H) .....	1
4	00-845300	Vent - Drain Tube (10F) .....	1
5	00-492114-00017	Tube (18/24 x 1130 Lg.) .....	1
6	00-492114-00018	Tube - (Full Size) (18/24 x 920) .....	1
7	00-493542	Knob .....	1
8	00-493543	Knob .....	1
9	00-493544	Bracket - Interior Drain Strain (Half) .....	1
10	00-493545	Retainer - Drain (Full Size) .....	1
11	00-233982-00006	O Ring .....	1
12	00-233982-00007	O Ring .....	1
13	00-844614	Drain Weldment (10 Half) .....	1
14	00-845121	Drain Weldment (10 Full) .....	1
15	00-844697	Pump - Boiler Drain .....	1
16	00-845089	Bracket - Drain Pump .....	1
17	00-844670-00011	Tube (25/35 x 180) .....	1
18	00-844716	Tee (25mm) .....	1
19	00-844670-00002	Tube (25/35) .....	1
20	00-493028	Tube (51.5 1.0 x 3 Wall x 60 Lg.) .....	1
21	00-844575	Clamp-Hose .....	1
22	00-844670-00004	Tube (25/35 x 400 Lg.) .....	1
23	00-149978-00001	Clamp - Hose (Worm, 25 mm Dia.) .....	1
24	00-844670-00014	Tube (25/35 x 380)(Half Size) .....	1
25	00-844670-00004	Tube (25/35 x 400 Lg.) .....	1



VENTILATION UNIT 1

## VENTILATION UNIT 1

ILLUS. PL-52449	PART NO.	NAME OF PART	AMT.
1	00-491969	Bracket - Motor Mounting .....	1
2	00-602491	Nut .....	1
3	00-845071	Motor .....	1
4	00-602491	Nut .....	1
5	00-322190-00001	Seal - Convection .....	1
6	00-149940-00024	Washer .....	1
7	00-845072	Capacitor .....	1
8	00-844984	Clamp .....	1
9	00-602491	Nut .....	1
10	00-233978-00002	Air Rotor - Convection .....	1
11	00-602286	Washer .....	1
12	00-492108	Cover - Convection Fan Seal .....	1

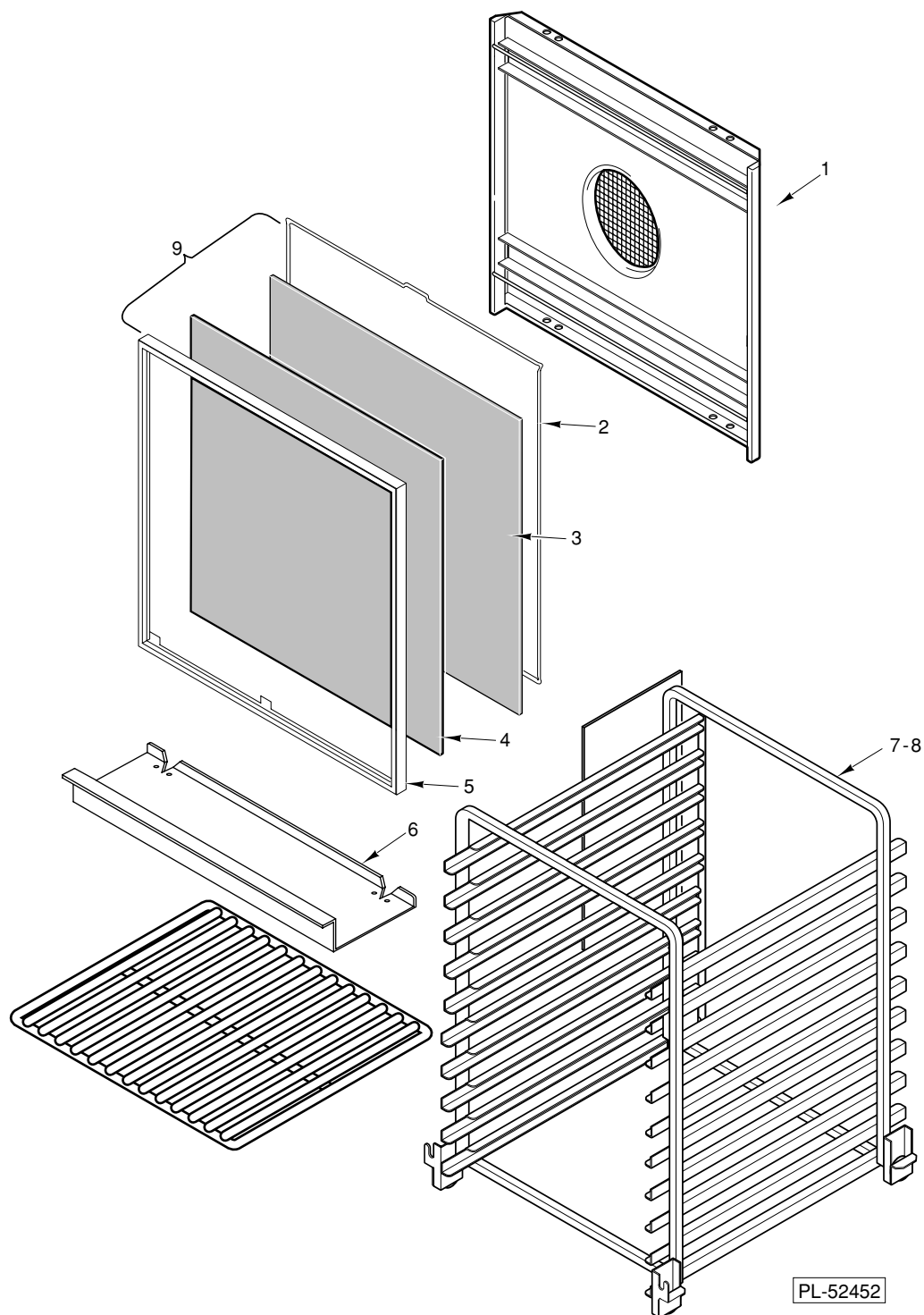


PL-52450

**VENTILATION**

## VENTILATION

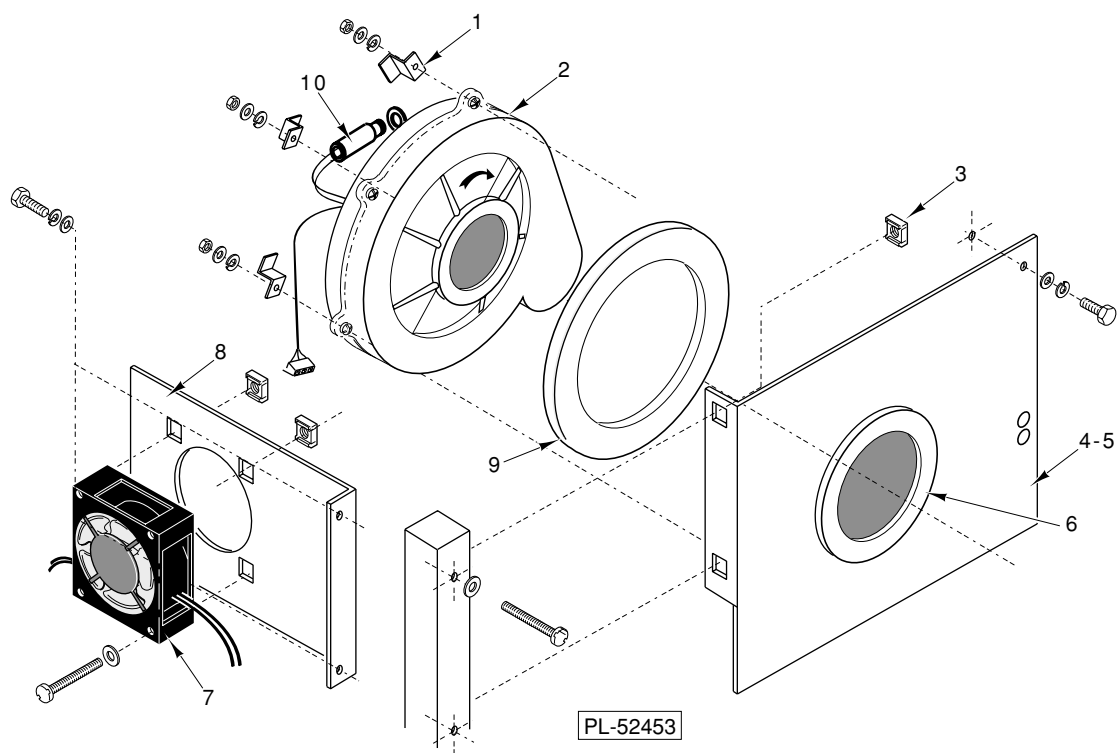
ILLUS. PL-52450	PART NO.	NAME OF PART	AMT.
1	00-494120	Washer .....	1
2	00-492958	Washer .....	1
3	00-492925	Shutter - Top .....	1
4	00-844617	Disc .....	1
5	00-492924	Shutter - Bottom .....	1
6	00-494120	Washer .....	1
7	00-602884	Pin - Cotter .....	1
8	00-233979-00001	Motor - Fan .....	1
9	00-322064	Cam .....	1
10	00-149926-00002	Fastener Assy. ....	2
11	00-844616	Tube (300mm Lg.) .....	1
12	00-491991	Plate .....	1



**FILTER & CARRIAGE**

## FILTER &amp; CARRIAGE

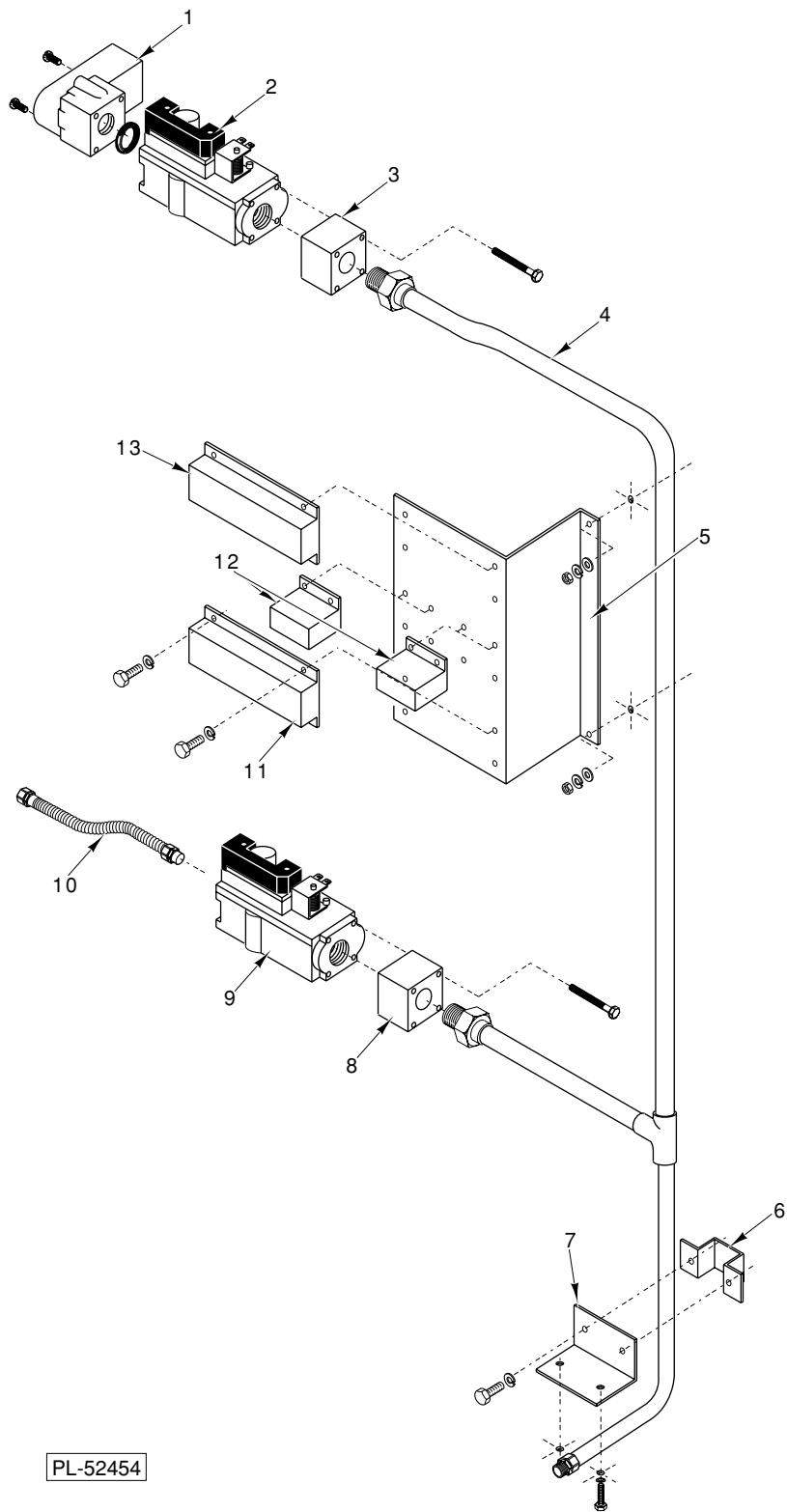
ILLUS. PL-52452	PART NO.	NAME OF PART	AMT.
1	00-844660	Baffle - Fan .....	1
2	00-844664	Gasket .....	1
3	00-844663	Filter .....	1
4	00-844662	Screen .....	1
5	00-844661	Retainer .....	1
6	00-492784	Plate .....	1
7	00-845128-00002	Insert - Rack (Full Size) .....	1
8	00-845128-00001	Insert - Rack (Half Size) .....	1
9	00-844667	Filter Assy. ....	1



VENTILATION UNIT 2

## VENTILATION UNIT 2

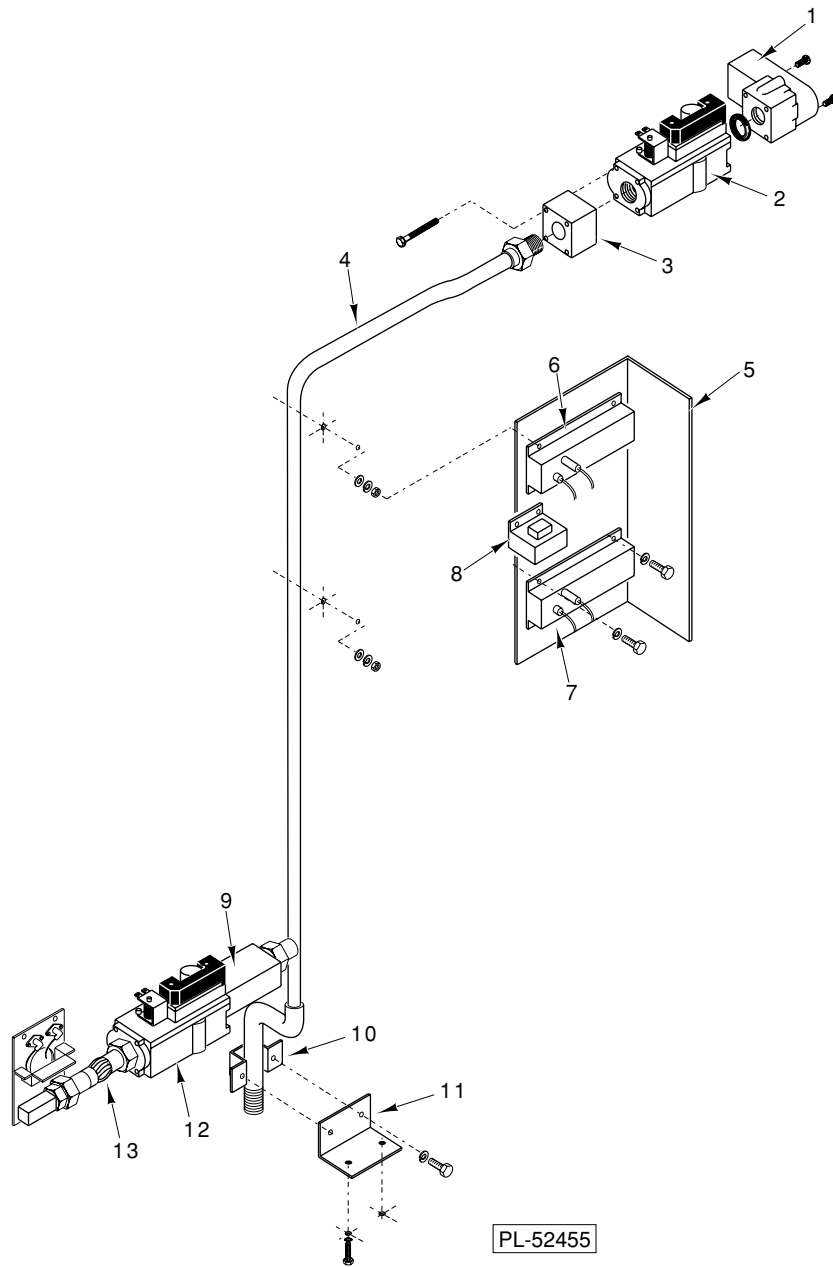
ILLUS. PL-52453	PART NO.	NAME OF PART	AMT.
1	00-149990-00027	Bracket - Blower Support .....	3
2	00-845074	Blower .....	1
3	00-149926-00002	Fastener Assy. ....	6
4	00-844621	Support - Blower (Half Size) .....	1
5	00-845125	Support - Blower (Full Size) .....	1
6	00-492183	Grommet 3" Vent Tube .....	1
7	00-492994	Fan - Compartment Cooling .....	1
8	00-844619	Support - Fan .....	1
9	00-844620	Gasket (304 Lg. x 650 mm) .....	1
10	00-845073	Capacitor .....	1



**GAS CONNECTION (HALF)**

## GAS CONNECTION (HALF)

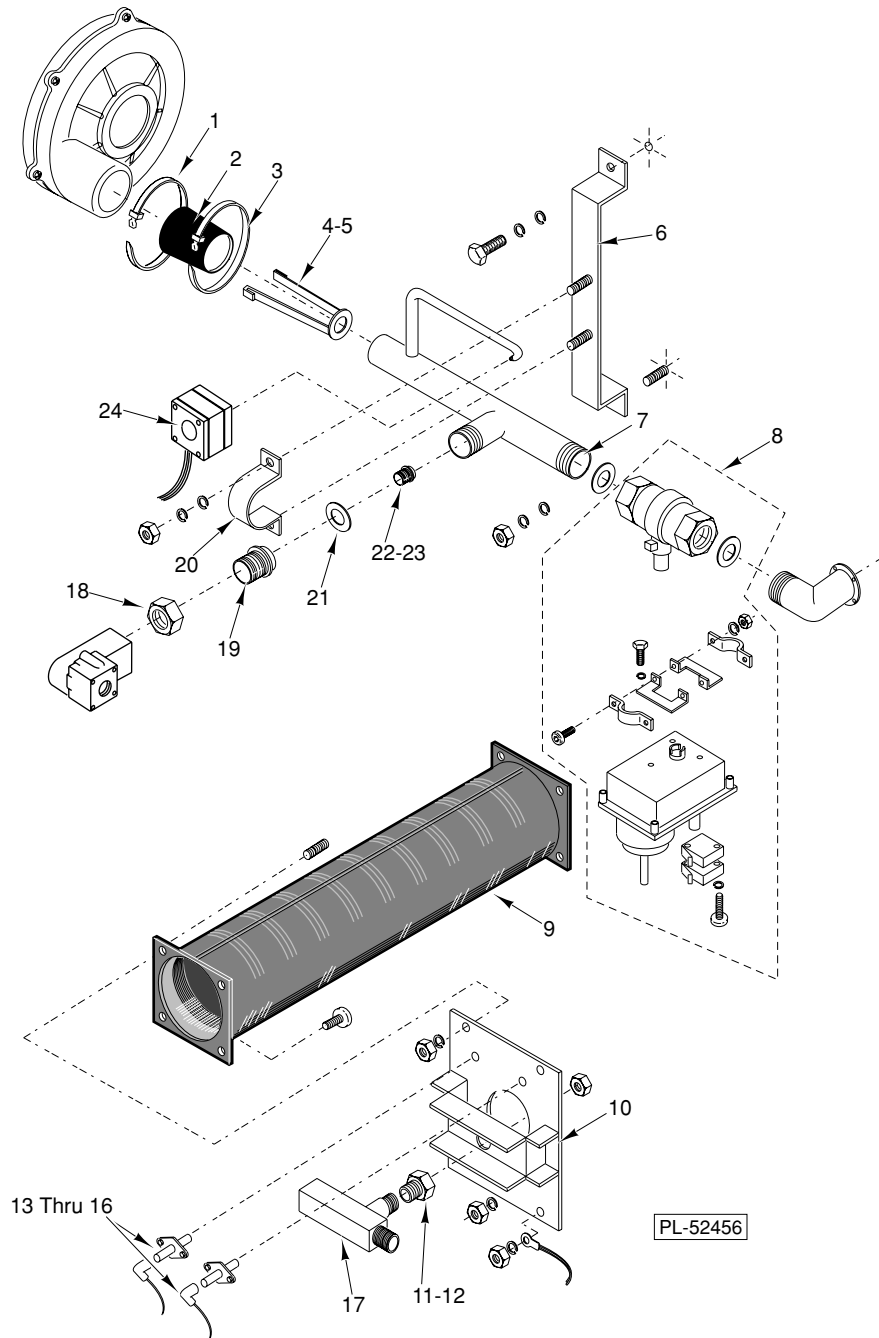
ILLUS. PL-52454	PART NO.	NAME OF PART	AMT.
1	00-845075	Valve - Gas Connection 90 Deg. ....	1
2	00-845076	Valve - Gas Connection .....	1
3	00-845077	Valve - Gas Connection .....	1
4	00-845080	Manifold .....	1
5	00-845082	Support - Transformer & Ignition Module .....	1
6	00-845090	Bracket - Gas Manifold .....	1
7	00-845091	Support - Gas Manifold .....	1
8	00-845077	Valve - Gas Connection .....	1
9	00-845076	Valve - Gas Connection .....	1
10	00-845078-00001	Line - Connector (Flexible Gas Line, 165mm) .....	1
11	00-845079-00001	Module - Ignition (6 sec.) .....	1
12	00-844728	Transformer .....	2
13	00-845079-00001	Module - Ignition (6 sec.) .....	1



**GAS CONNECTION (FULL)**

## GAS CONNECTION (FULL)

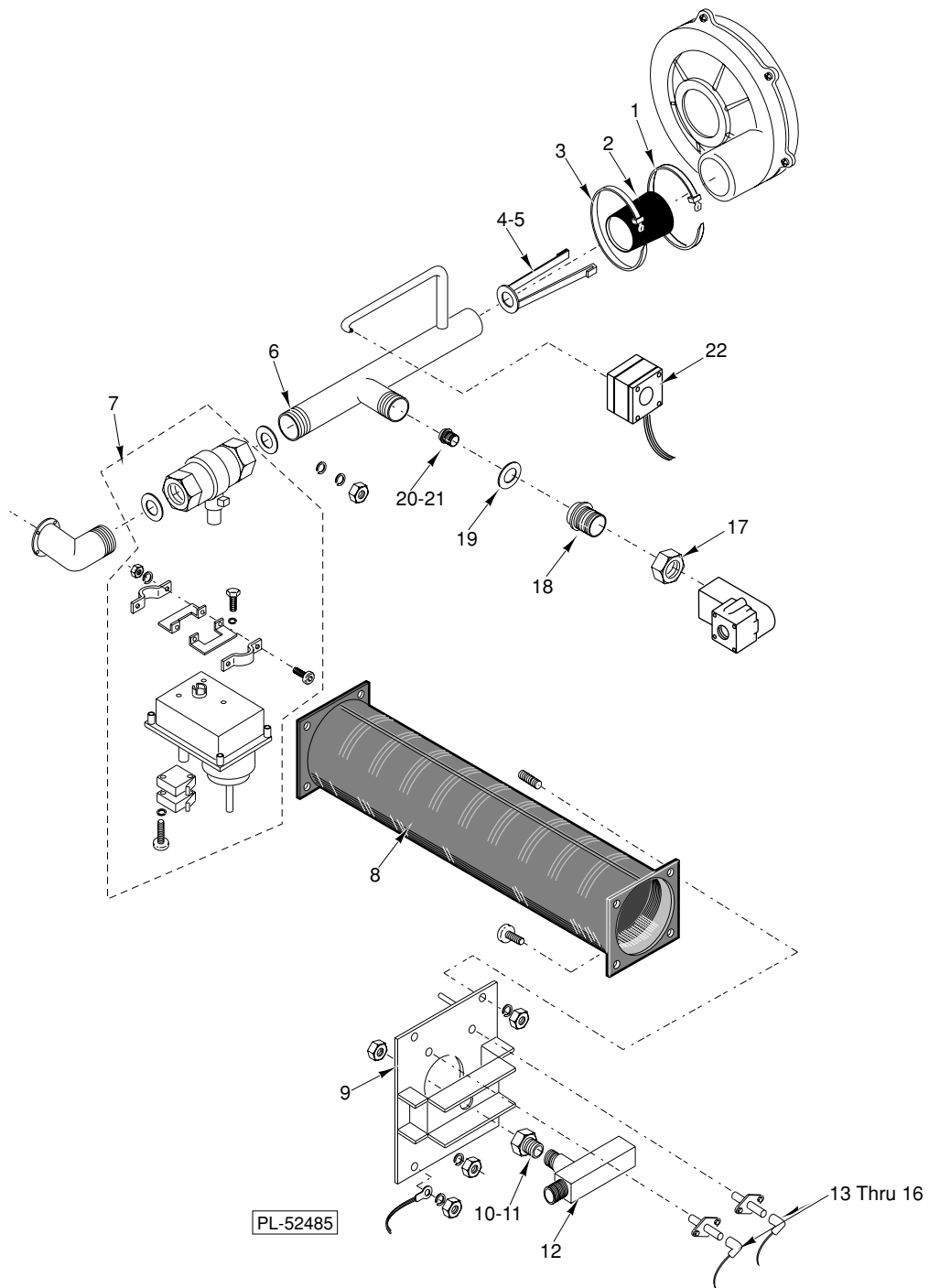
ILLUS. PL-52455	PART NO.	NAME OF PART	AMT.
1	00-845075	Valve - Gas Connection 90 Deg. ....	1
2	00-845076	Valve - Gas Connection .....	1
3	00-845077	Valve - Gas Connection .....	1
4	00-845124	Manifold - Gas .....	1
5	00-845123	Support - Module .....	1
6	00-845079-00001	Module - Ignition (6 sec.) .....	1
7	00-845079-00002	Module - Ignition .....	1
8	00-844728	Transformer .....	1
9	00-845077	Valve - Gas Connection .....	1
10	00-845090	Bracket - Gas Manifold .....	1
11	00-845091	Support - Gas Manifold .....	1
12	00-845076	Valve - Gas Connection .....	1
13	00-845078-00002	Connector - Flexible Gas Line (11mm) .....	1



**GAS COMPONENTS HALF SIZE**

## GAS COMPONENTS HALF SIZE

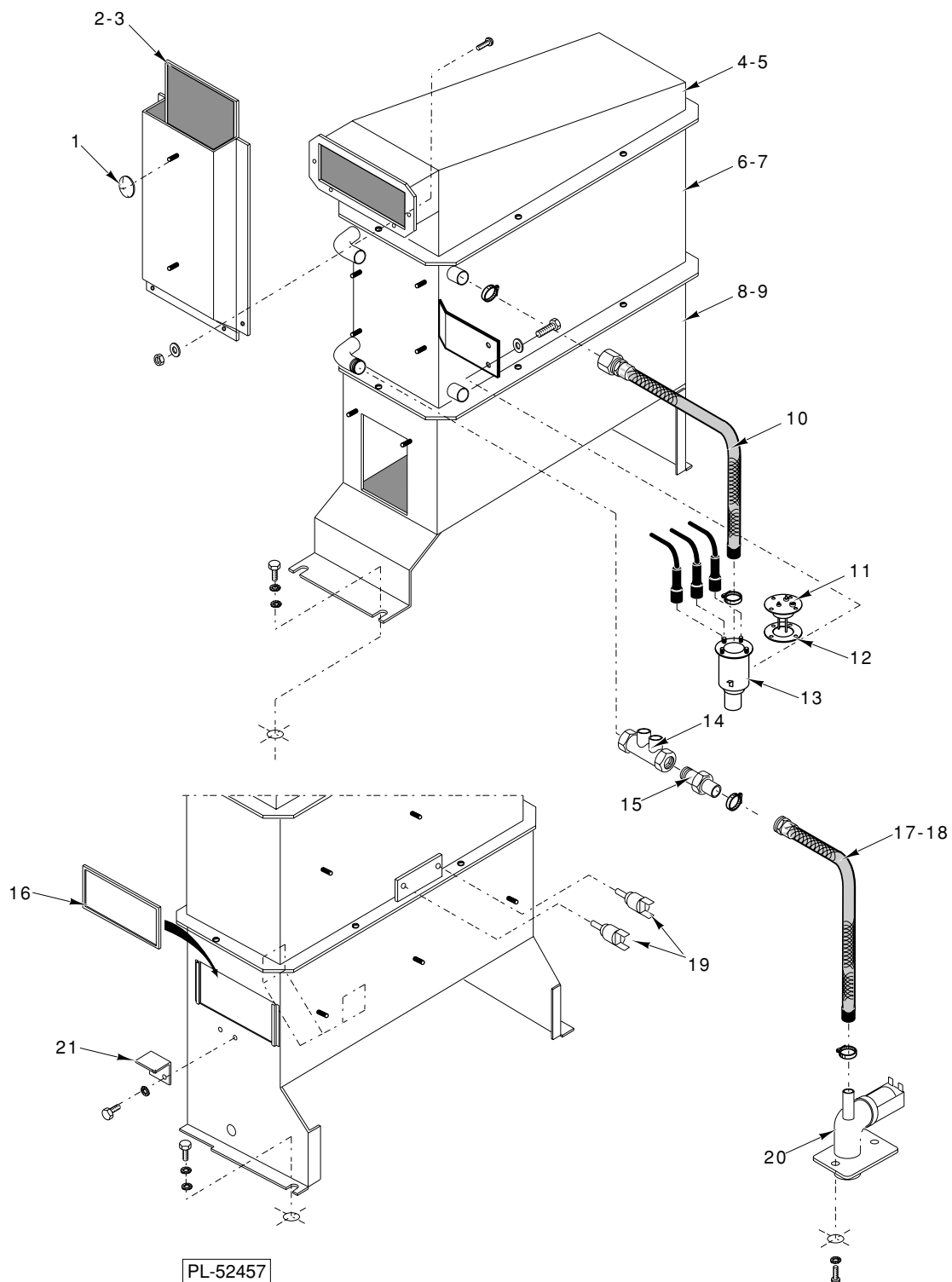
ILLUS. PL-52456	PART NO.	NAME OF PART	AMT.
1	00-492121	Plastic Tie .....	1
2	00-844671	Sleeve - Tube .....	1
3	00-492121	Plastic Tie .....	1
4	00-844634	Orifice - Conv Air (NAT 18mm) .....	1
5	00-845083	Orifice - Conv Air (PRO 117mm) .....	1
6	00-844637	Bracket - AIR/GAS Manifold .....	1
7	00-845085	Manifold - Conv Gas/Air .....	1
8	00-492992	Valve - Motorized .....	1
9	00-844815	Burner - Boiler .....	1
10	00-844821-00001	Diaphrame - (50mm DIA Boiler) .....	1
11	00-844817-00006	Injector - Boiler (NAT S17x3) .....	1
12	00-844817-00007	Injector - Boiler (PRO S17x1.95) .....	1
13	00-844912	Support - Boiler Injector .....	1
14	00-844812	Electrode - Boiler Flame Ignitor .....	1
15	00-844813	Electrode - Boiler Flame Sensor .....	1
16	00-492983	Wire - Flame Sensor .....	1
17	00-844825	Cable - Flame Ignitor .....	1
18	00-844901	Hex Nut - Union .....	1
19	00-845086	Support - Injector .....	1
20	00-844640	Support - Manifold .....	1
21	00-844802	Gasket - Fiber 22/30 .....	1
22	00-844816-00002	Injector - Conical 3.9 DIA NAT .....	1
23	00-844816-00007	Injector - Conical 2.45 .....	1
24	00-845084	Switch - Air Pressure Safety .....	1



**GAS COMPONENTS FULL SIZE**

## GAS COMPONENTS FULL SIZE

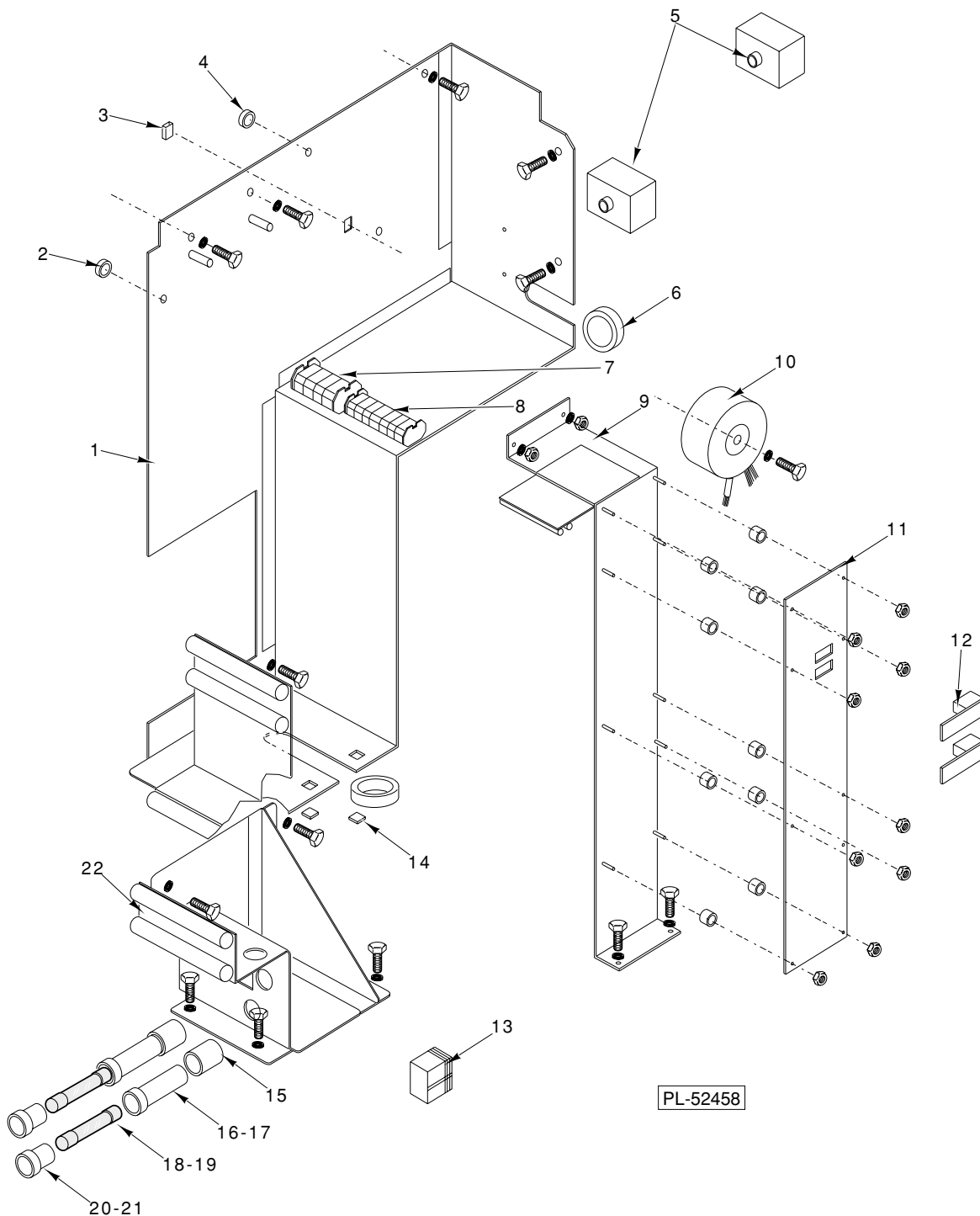
ILLUS. PL-52485	PART NO.	NAME OF PART	AMT.
1	00-492121	Plastic Tie .....	1
2	00-844671	Sleeve - Tube .....	1
3	00-492121	Plastic Tie .....	1
4	00-844634	Orifice - Conv Air (NAT 18mm) .....	1
5	00-844635	Orifice - Conn Air (19mm NAT) .....	1
6	00-845183	Manifold - Air/Gas Conv (10 FG) .....	1
7	00-492992	Valve - Motorized .....	1
8	00-844815	Burner - Boiler .....	1
9	00-844821-00003	Diaphrame - (52mm DIA Boiler) .....	1
10	00-844817-00008	Injector - Boiler (NAT S17 x 3.25) .....	1
11	00-844817-00009	Injector - Boiler (Pro S17 x 2.05) .....	1
12	00-844912	Support - Boiler Injector .....	1
13	00-844812	Electrode - Boiler Flame Ignitor .....	1
14	00-844825	Cable - Flame Ignitor .....	1
15	00-492983	Wire - Flame Sensor .....	1
16	00-844813	Electrode - Boiler Flame Sensor .....	1
17	00-844901	Hex Nut - Union .....	1
18	00-845086	Support - Injector .....	1
19	00-844802	Gasket - Fiber 22/30 .....	1
20	00-844816-00008	Injector - Conical 4.4 DIA .....	1
21	00-844816-00003	Injector - Conical 2.6 DIA .....	1
22	00-845084	Switch - Air Pressure Safety .....	1



**BOOSTER HEATER (GAS)**

### BOOSTER HEATER (GAS)

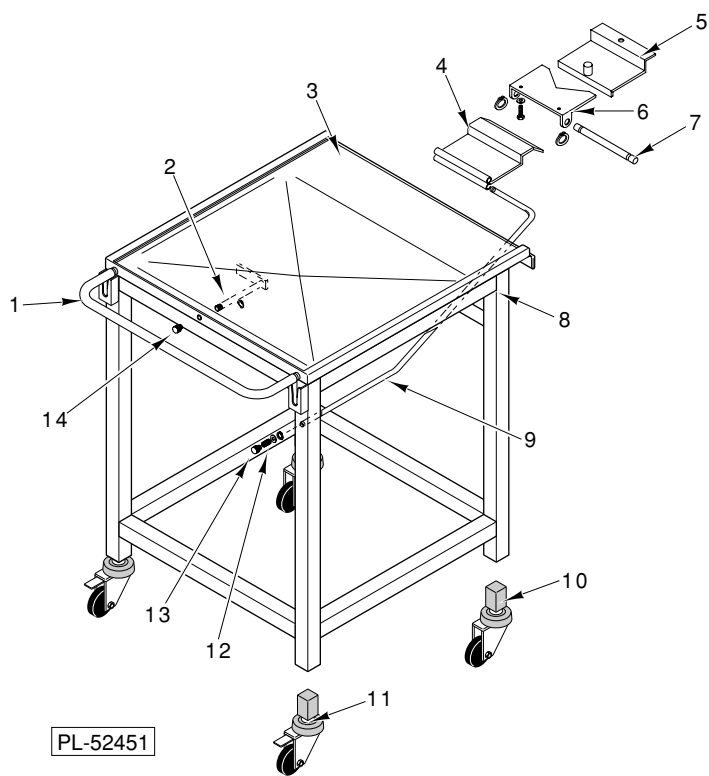
ILLUS. PL-52457	PART NO.	NAME OF PART	AMT.
1	00-233924-00001	Retainer-Insulation (Press On) .....	2
2	00-845129	Flue - Verticle (10FG) .....	1
3	00-844905	Flue - Verticle (10HG) .....	1
4	00-844642	Flue - Horizontal (10HG) .....	1
5	00-844643	Flue - Horizontal (10FG) .....	1
6	00-844644	Boiler (10HG) .....	1
7	00-844645	Boiler (10FG) .....	1
8	00-844911	Chamber - Combustion (10HG) .....	1
9	00-844910	Chamber - Combustion (10FG) .....	1
10	00-845163-00001	Tube (12/16 x 600L) .....	1
11	00-844814	Top - Cannister .....	1
12	00-233982-00001	O Ring-Boiler Heater Seal .....	1
13	00-845301	Housing - Low Panel Control .....	1
14	00-492999	Valve - Check .....	1
15	00-844678	Fitting - Hose .....	1
16	00-844677	Glass - (120 x 40 x 4 mm) .....	1
17	00-492117-00007	Tube (10-14 400LG) (10FG) .....	1
18	00-492117-00001	Tube (10-14 x 300 Lg) (10 HG) .....	1
19	00-844811	Thermostat - High Limit Boiler .....	2
20	00-493000	Valve - Water Inlet Gas .....	1
21	00-844649	Bracket - View Window .....	1



**ELECTRICAL COMPONENT PANEL**

## ELECTRICAL COMPONENT PANEL

ILLUS. PL-52458	PART NO.	NAME OF PART	AMT.
1	00-845095	Support - Components .....	1
2	00-492189	Grommet .....	1
3	00-149926-00004	Nut - 10mm 12.3 x 12.3 Cutout .....	1
4	00-492190	Bushing Nylon - 10mm ID .....	1
5	00-492105	Thermostat - High Limit .....	2
6	00-150443-00044	Bushing Nylon, 20mm ID .....	2
7	00-844629-00002	Terminal Block - 8 Connection Points .....	1
8	00-844629-00001	Terminal Block - 10 Connection Points .....	1
9	00-844906	Bracket - Main Control Board Support .....	1
10	00-845096	Transformer - Stepdown Round .....	1
11	00-492986	Board - Gas - Relay .....	1
12	00-845097	Board - Flame Sense Circuit .....	1
13	00-844629-00003	Terminal Block 4 PTS (1N 2PH 1G) .....	1
14	00-149926-00005	Nut - 4mm 8.3 x 8.3 Cutout .....	1
15	00-844690	Housing - Fuse Holder Support .....	2
16	00-844687	Fuseholder .....	2
17	00-844687	Fuseholder .....	2
18	00-845099-00002	Fuse - (6.3A/250V) .....	1
19	00-845099-00001	Fuse - (2A/250V) .....	1
20	00-844688	Plug-Fuse Holder .....	2
21	00-844688	Plug-Fuse Holder .....	2
22	00-845098	Bracket - Fuse Support .....	1



**TABLE & TROLLEY ASSEMBLY**

## TABLE &amp; TROLLEY ASSEMBLY

ILLUS. PL-52451	PART NO.	NAME OF PART	AMT.
1	00-322388	Handle .....	1
2	00-845308	Axle Weldment .....	1
3	00-845309	Top - Table .....	1
4	00-845305	Bracket .....	1
5	00-845307	Bracket - Location .....	1
6	00-845303	Bracket - Table Top .....	1
7	00-845306	Axle .....	1
8	00-845302	Frame .....	1
9	00-845304	Rod - Handle .....	1
10	00-322228-00003	Caster .....	2
11	00-322228-00004	Caster W/Brake .....	2
12	00-845325-00001	Spring .....	1
13	00-845324	Handle .....	1
14	00-845324	Handle .....	1

