

VULCAN

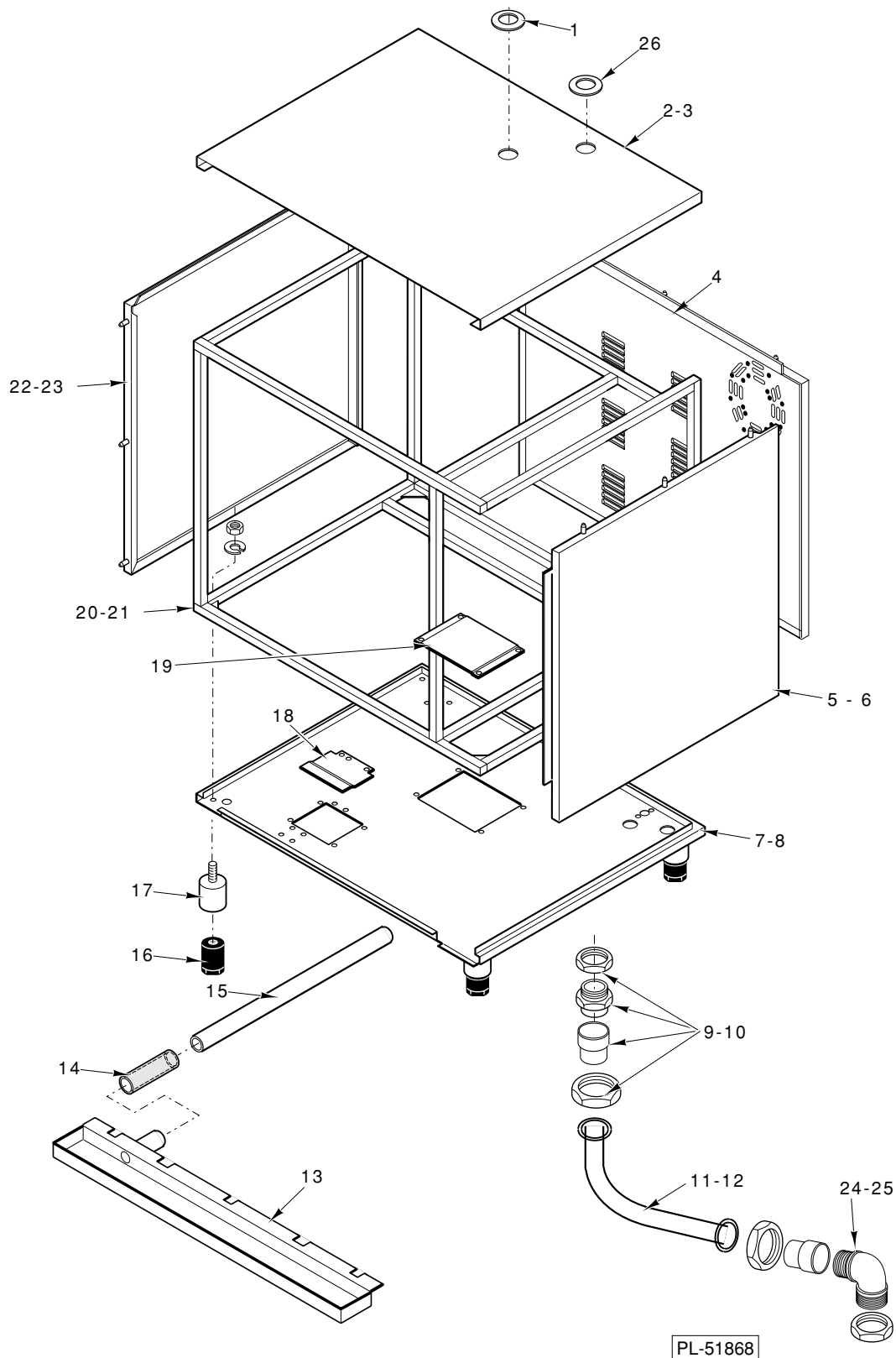
CATALOG OF REPLACEMENT PARTS

COMBI OVENS

MODELS

<i>ML-52436</i>	<i>VC10FEP</i>
<i>ML-52431</i>	<i>VC10FE</i>
<i>ML-52435</i>	<i>VC10HEP</i>
<i>ML-52430</i>	<i>VC10HE</i>





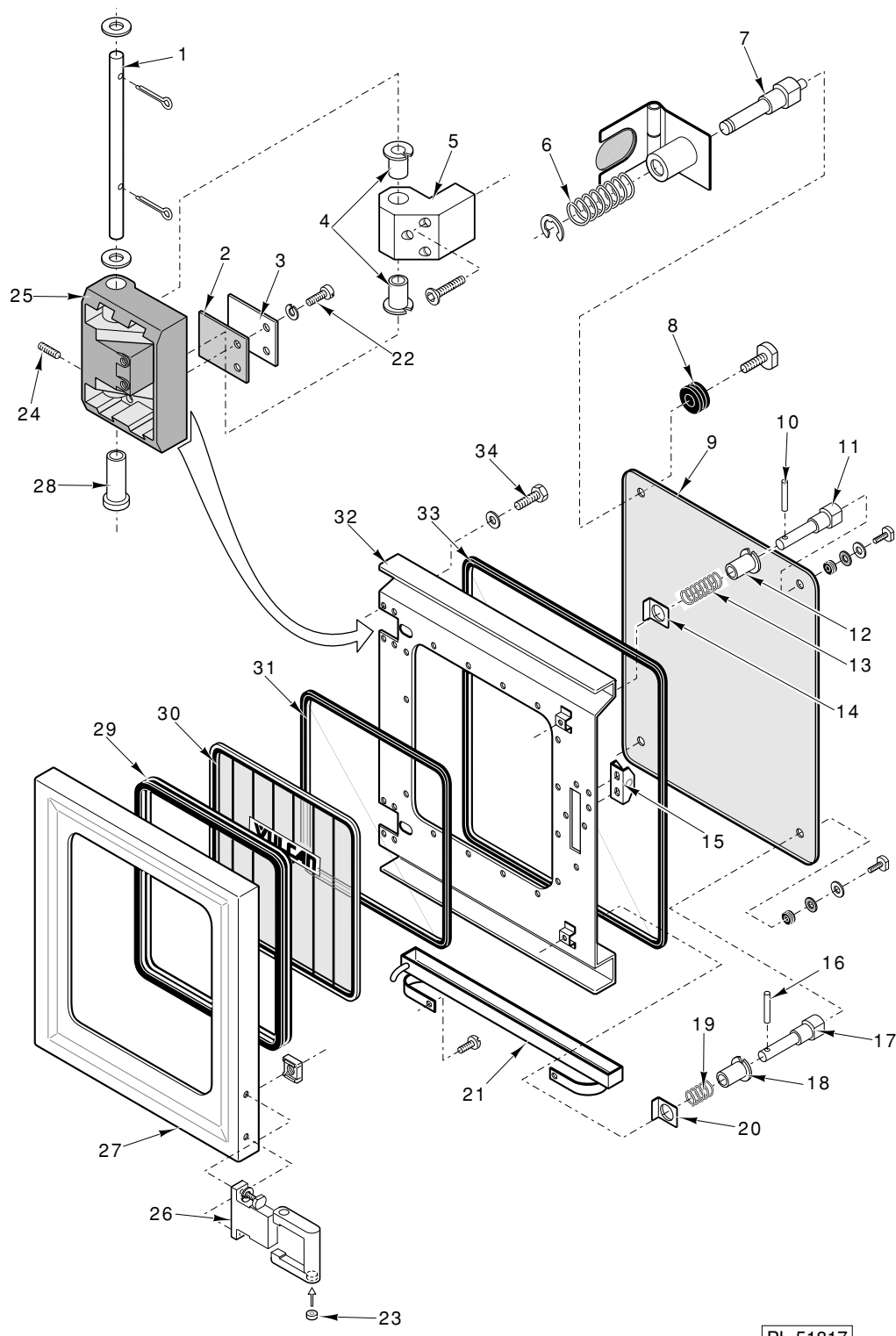
FRAME

FRAME

ILLUS. PL-51868	PART NO.	NAME OF PART	AMT.
1	00-492183	Grommet	1
2	00-491994-00001	Panel - Top(10 Level, Half Size)	1
3	00-491994-00002	Panel-Top(10 Level, Full Size)	1
4	00-844769-00002	Panel-Back(10 Level Oven)	1
5	00-492079-00006	Panel-Side(R.H.)(10 Level, Full Size)	1
6	00-492079-00002	Panel - Side (RH)(10 Level, Half Size)	1
7	00-491987-00001	Base (10 Level, Half Size)	1
8	00-491987-00002	Base(10 Level, Full Size)	1
9	00-844922-00001	Connector-Insulated Throat 90 Degree Angle 1½"(Full Size)	1
10	00-844922-00002	Connector-Insulated Throat 90 Degree Angle 1"(Half Size)	1
11	00-844924-00001	Conduit-Liquid Tight Metallic 1½"	1
12	00-844924-00002	Conduit-Liquid Tight Metallic 1"	1
13	00-492474	Gutter - Condensate	1
14	00-492483	Tubing	1
15	00-492475-00002	Pipe	1
16	00-322110	Insert - Plastic	1
17	00-492357	Foot	1
18	00-492481	Cover	1
19	00-491988	Cover	1
20	00-492354-00002	Frame (10 Level, Half Size)	1
21	00-844921	Frame(10 Level, Full Size)	1
22	00-492077-00002	Panel-Side (LH)(10 Level, Half Size)	1
23	00-492077	Panel-Side(RH)(10 Level, Full Size)	1
24	00-844923-00001	Connector-Insulated Throat Straight 1½"(Full Size)	1
25	00-844923-00002	Connector-Insulated Throat Straight 1"(Half Size)	1
26	00-492110	Grommet - Drain Pipe Vent	1

CAVITY

ILLUS. PL-51869	PART NO.	NAME OF PART	AMT.
1	00-492449	Strap-Insulation	1
2	00-322135	Probe - Temperature (L=2400)	1
3	00-153333	Insulator - High Limit Bulbs	1
4	NS-047-37	Nut - M5 x 0.8 Hex SST	1
5	WL-019-69	Lockwasher - M5 External Shakeproof	1
6	00-322194	Bracket - High Limit Probe	1
7	00-148271	Nozzle - Humidifier	1
8	00-844696-00001	Heater - Cavity (1.5 KW, 208 V)	1
9	00-844696-00002	Heater - Cavity (2 KW, 208 V)	1
10	00-233848-00002	Heater-Cavity (1.5 KW, 240 V)(Half Size)	1
11	00-844696-00005	Heater - Cavity (1.5 KW, 480 V)(Half Size)	1
12	00-844696-00003	Heater - Cavity (2.0 KW, 240 V)(Full Size)	1
13	00-844696-00004	Heater - Cavity (2.0 KW, 480 V)(Full Size)	1
14	00-153277	Gasket - Cavity Heater	1
15	WL-019-69	Lockwasher - M5 External Shakeproof	1
16	NS-047-37	Nut - M5 x 0.8 Hex SST	1
17	NS-047-52	Full Nut M10 Hex	1
18	00-344320	Probe-Meat Thermometer	1
19	00-322426	Bracket - Meat Probe	1
20	SC-118-42	Cap Screw M4 x 0.7 x 10mm Hex Hd. SST	1
21	00-322369	Plate - Screw	1
22	NS-200-03	Nut M4 x 0.7 Hex SST	1
23	00-492455	Gasket - Cavity Face Seal	1
24	00-492348-00002	Frame - Cavity	1
25	00-492211-00001	Cavity-Half Size	1
26	00-844925-00001	Cavity-Full Size	1

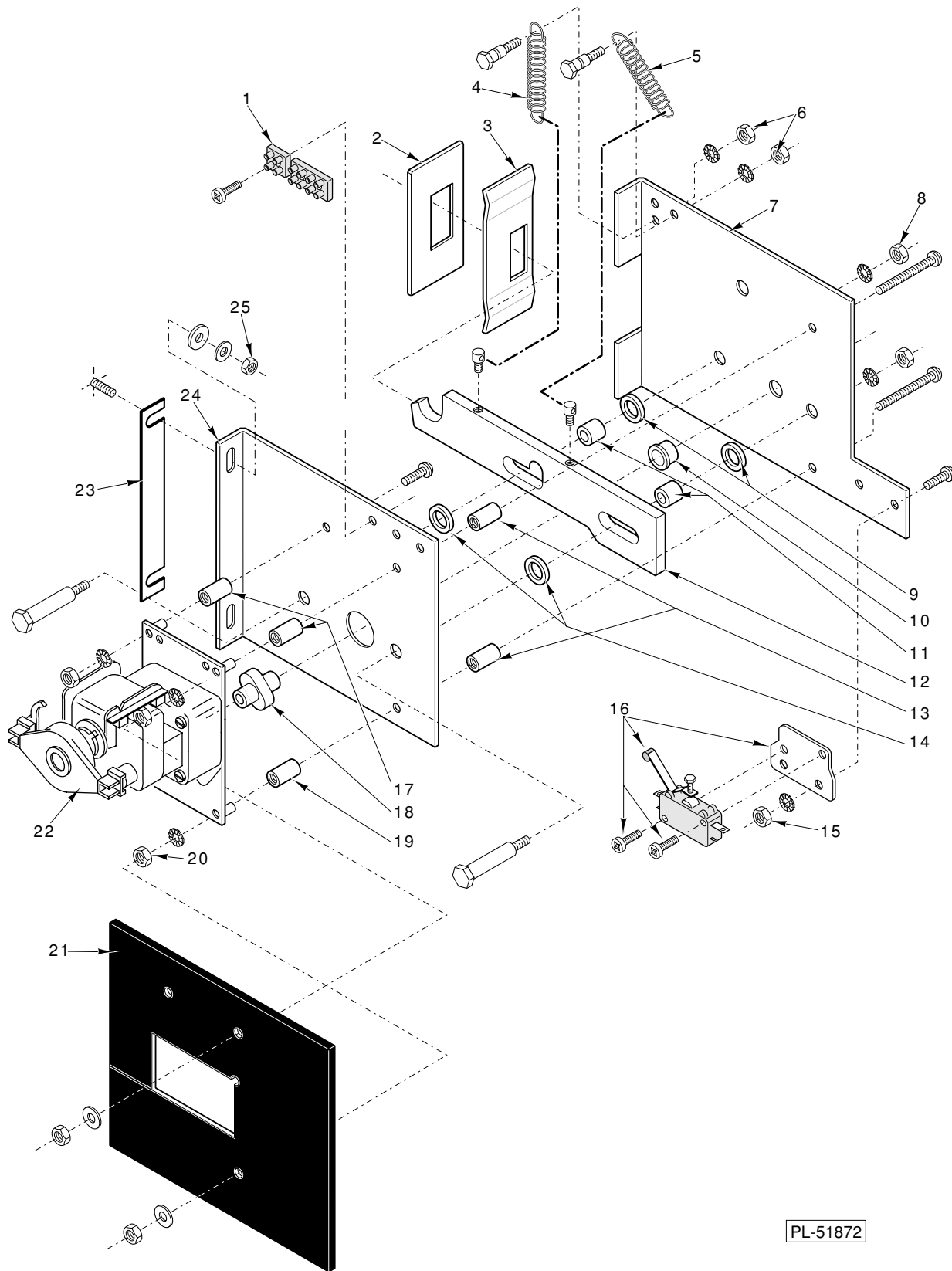


PL-51817

DOOR ASSEMBLY

DOOR ASSEMBLY

ILLUS. PL-51817	PART NO.	NAME OF PART	AMT.
1	00-492145-00002	Pin - Hinge	1
2	00-492148	Spacer - Door	1
3	00-492043	Plate	1
4	00-844566	Bushing 8mm	1
5	00-492147	Hinge	1
6	00-492154	Spring	1
7	00-492152	Stud	1
8	00-491760	Gasket	1
9	00-492465	Inner Door Glass	1
10	00-844567	Pin	1
11	00-492436	Shaft	1
12	00-844568	Ring 14mm	1
13	00-492155	Spring	1
14	00-492488	Clip - Door	1
15	00-492380	Catch - Door	1
16	00-844567	Pin	1
17	00-492436	Shaft	1
18	00-844568	Ring 14mm	1
19	00-492155	Spring	1
20	00-492488	Clip - Door	1
21	00-492053	Tray - Drip	1
22	SC-200-15	Cap Screw M4 x 0.7 x 10mm Socket Hex Hd.	1
23	00-170016	Magnet	1
24	00-844569	Pin	1
25	00-492146	Hinge	1
26	00-493487-00001	Handle	1
27	00-493550	Panel - Door Outer	1
28	00-492215	Bushing	1
29	00-492462	Gasket	1
30	00-844712	Window-External	1
31	00-149915-00002	Joint	1
32	00-492463	Panel - Door Inner	1
33	00-492466	Seal - Inner Door	1
34	SC-121-25	Cap Screw M6 x 12mm Hex Soc. Hd.	1

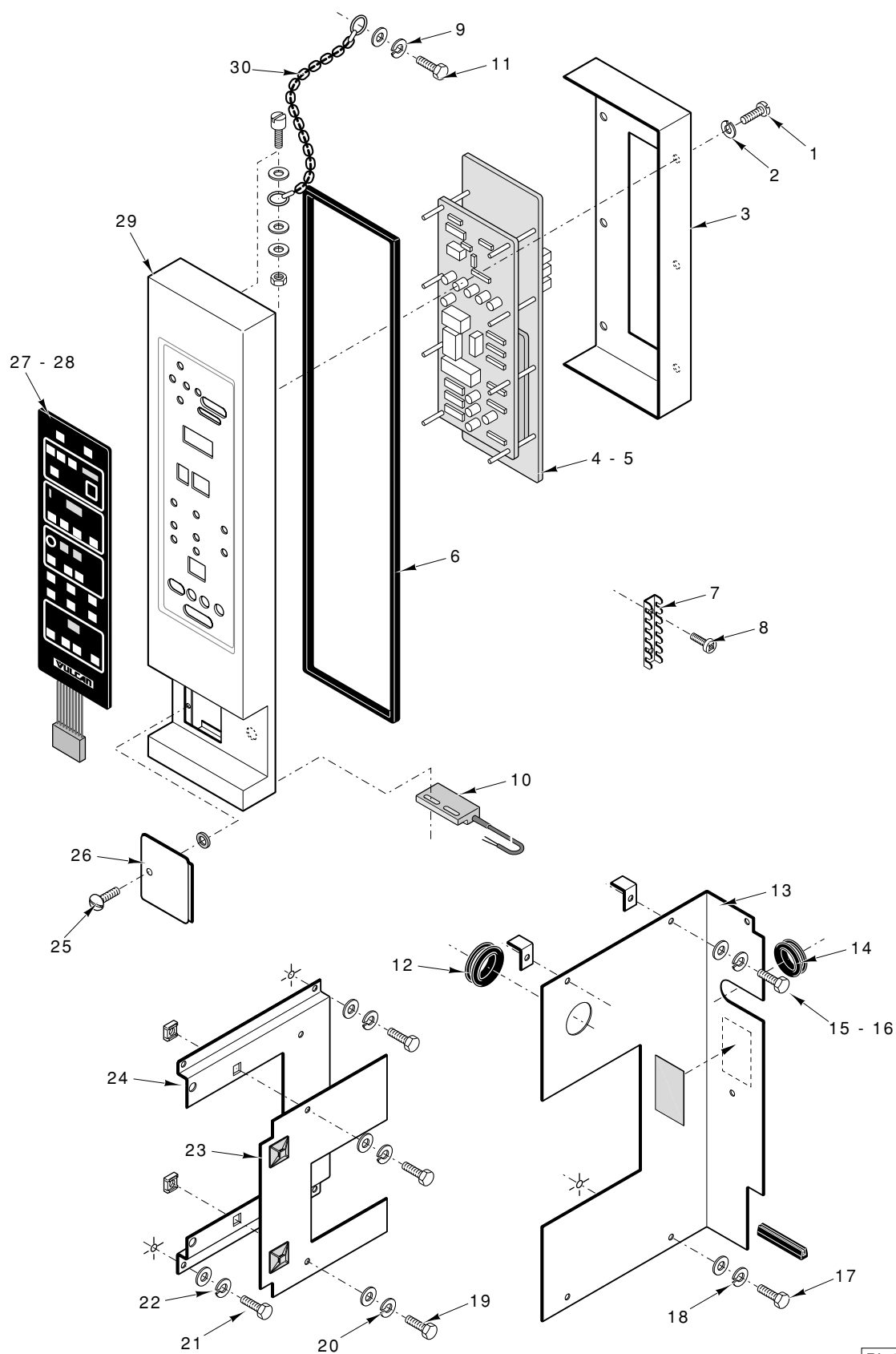


PL-51872

DOOR INTERLOCK

DOOR INTERLOCK

ILLUS. PL-51872	PART NO.	NAME OF PART	AMT.
1	00-492173	Block - Terminal	1
2	00-492916	Plate	1
3	00-492968	Plate	1
4	00-491985	Spring - Tension	1
5	00-491985	Spring - Tension	1
6	NS-047-37	Nut - M5 x 0.8 Hex SST	1
7	00-492365	Plate	1
8	NS-200-03	Nut M4 x 0.7 Hex SST	1
9	00-492423	Washer	1
10	00-492114	Bushing	1
11	00-492424	Spacer	1
12	00-492420	Hook	1
13	00-492425	Spacer	1
14	00-492423	Washer	1
15	NS-200-03	Nut M4 x 0.7 Hex SST	1
16	00-492430	Microswitch	1
17	00-492426	Spacer	1
18	00-492427	Cam 6mm Hole	1
19	00-492426	Spacer	1
20	NS-200-03	Nut M4 x 0.7 Hex SST	1
21	00-492429	Plate - Gasket	1
22	00-844704	Motor-Door Closing	1
23	00-492011	Spacer Plate	1
24	00-492366	Plate	1
25	NS-047-37	Nut - M5 x 0.8 Hex SST	1

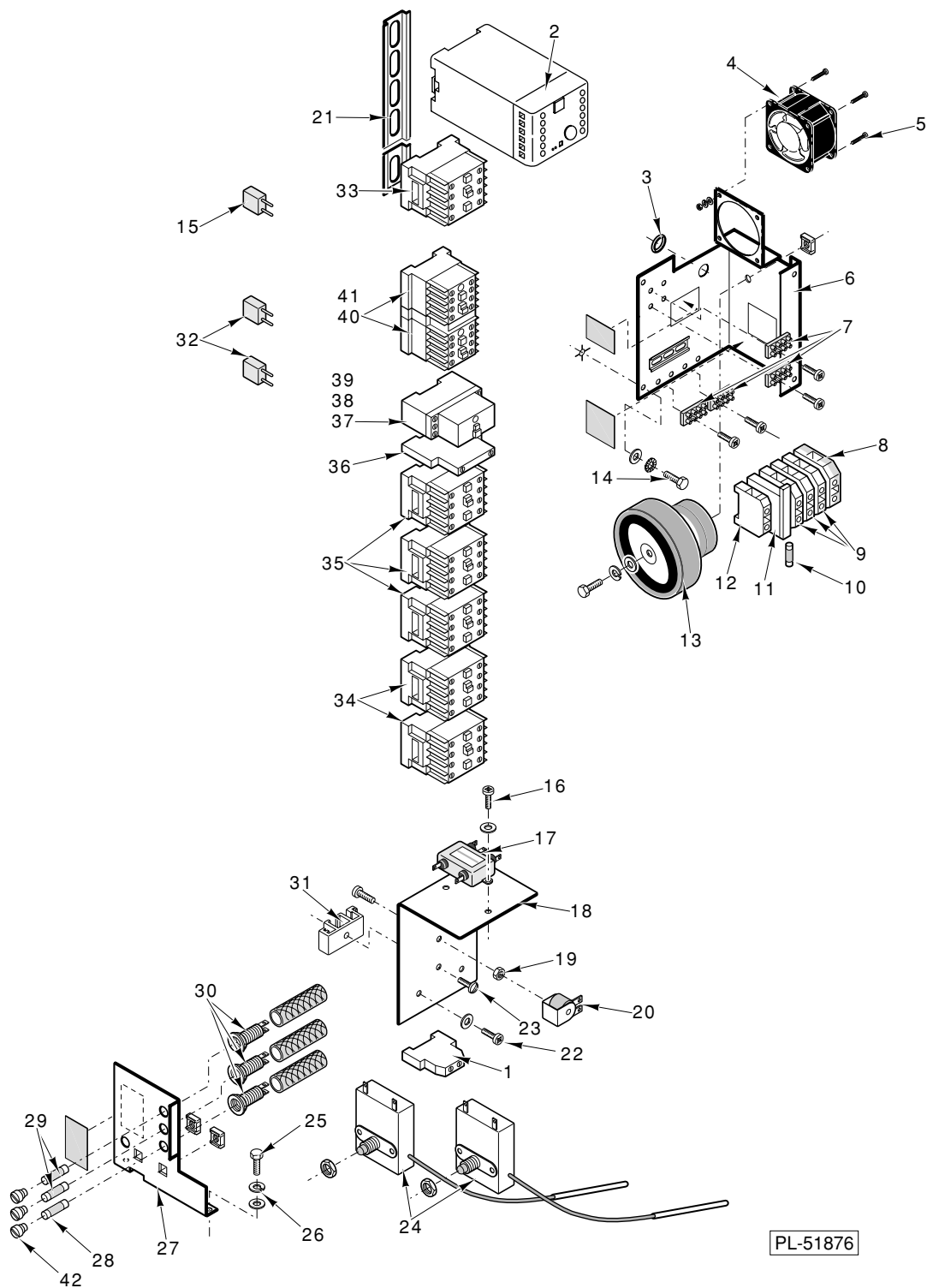


PL-51825

ELECTRONIC CONTROLS

ELECTRONIC CONTROLS

ILLUS. PL-51825	PART NO.	NAME OF PART	AMT.
1	SC-121-30	Mach. Screw M4 x o.7 x 8mm Phil. Pan Hd. (Plastic	1
2	WL-019-69	Lockwasher - M5 External Shakeproof	1
3	00-492074	Cover - Controller RFI Shield	1
4	00-492771-00005	Controller-Electronic Control Board	1
5	00-492771-00006	Controller-Electronic Control Board (Programmable)	1
6	00-492472	Gasket-Front Panel	1
7	00-491984	Terminal - Male Stationary .25 x 14	1
8	SC-118-28	Mach. Screw M4 x 12 Pan Hd.	1
9	WL-019-69	Lockwasher - M5 External Shakeproof	1
10	00-844926	Switch-Reed Interlock	1
11	SC-122-41	Cap Screw M5 x 0.8 x 172mm Hex Hd. SST	1
12	00-492189	Grommet	1
13	00-492367-00002	Panel - Compartment Divider SST	1
14	00-492189	Grommet	1
15	SC-119-02	Cap Screw M5 x 0.8 x 10mm Hex Hd. SST	1
16	WL-019-69	Lockwasher - M5 External Shakeproof	1
17	SC-119-02	Cap Screw M5 x 0.8 x 10mm Hex Hd. SST	1
18	WL-019-69	Lockwasher - M5 External Shakeproof	1
19	SC-119-02	Cap Screw M5 x 0.8 x 10mm Hex Hd. SST	1
20	WL-019-69	Lockwasher - M5 External Shakeproof	1
21	SC-119-02	Cap Screw M5 x 0.8 x 10mm Hex Hd. SST	1
22	WL-019-69	Lockwasher - M5 External Shakeproof	1
23	00-492611	Cover - Door Closing Mechanism SST	1
24	00-492456	Panel - Contactor Mounting SST	1
25	SC-119-02	Cap Screw M5 x 0.8 x 10mm Hex Hd. SST	1
26	00-492395	Panel - Fuse Access	1
27	00-844698	Keypad-Programmable	1
28	00-844718	Keypad-Non Programmable	1
29	00-493553	Control Panel - Programmable	1
30	00-149940-00052	Cable Restraint - Control Panel	1

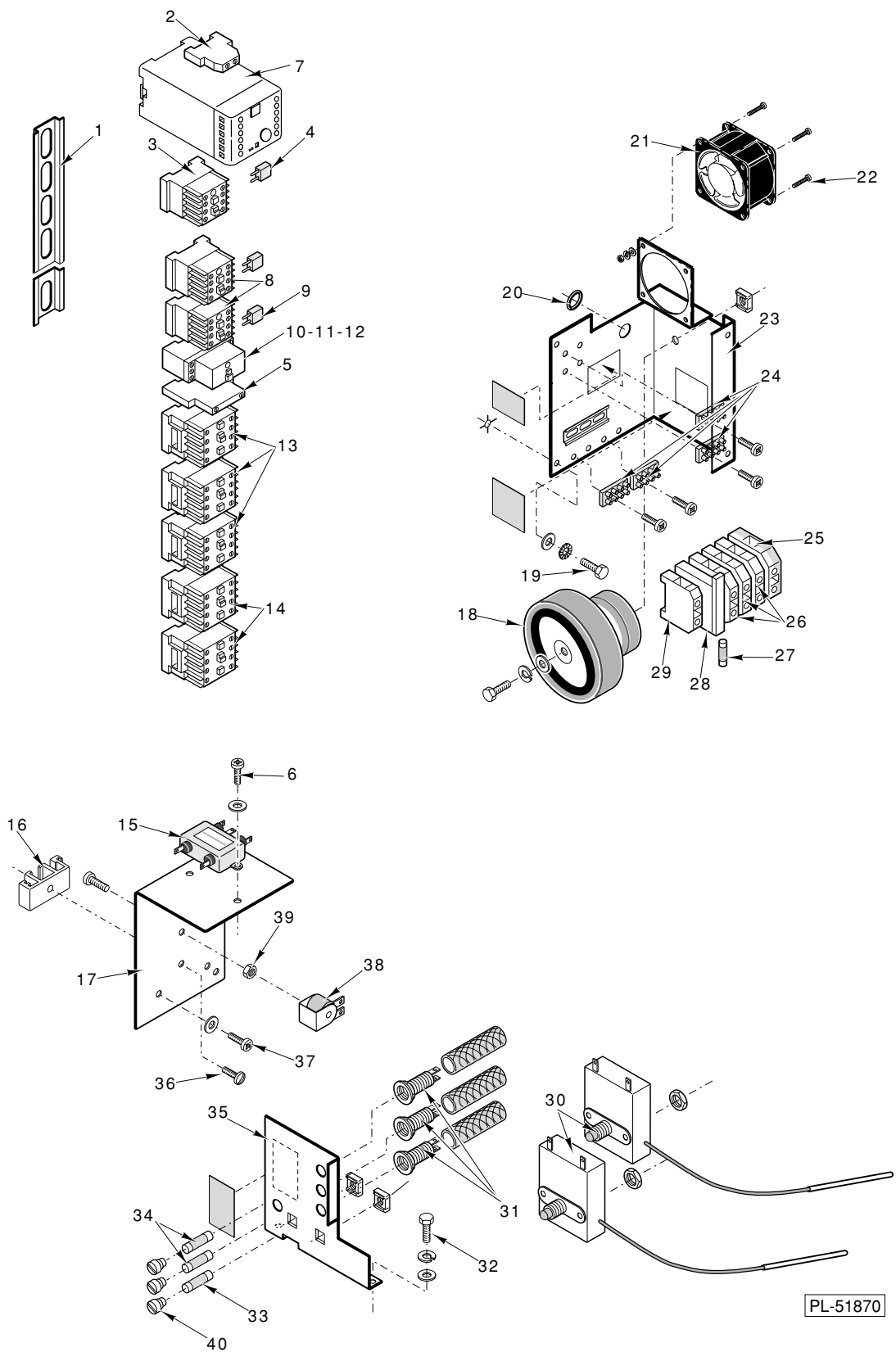


PL-51876

ELECTRICAL CONNECTIONS

ELECTRICAL CONNECTIONS

ILLUS. PL-51876	PART NO.	NAME OF PART	AMT.
1	00-228428	Stop - End	1
2	00-844583-00001	Control-Water Level	1
3	00-492189	Grommet	1
4	00-492994	Fan - Compartment Cooling	1
5	SC-118-42	Cap Screw M4 x 0.7 x 10mm Hex Hd. SST	1
6	00-844771	Bracket	1
7	00-492179	Block - Terminal 7mm	1
8	00-150443-00050	Block - Terminal Ground 16mm	1
9	00-150443-00049	Block - Terminal Supply Line 16mm	1
10	00-300099-00001	Fuse - 0.5 Amp (5 x 20mm GMA)	1
11	00-167938	Block - Terminal Fuseholder	1
12	00-228428	Stop - End	1
13	00-844730	Transformer 190 VA	1
14	SC-119-02	Cap Screw M5 x 0.8 x 10mm Hex Hd. SST	1
15	00-844893	RC Device	1
16	SC-118-42	Cap Screw M4 x 0.7 x 10mm Hex Hd. SST	1
17	00-322281-00001	Filter - Line (Corcom)	1
18	00-492458	Bracket	1
19	NS-047-47	Full Nut M3 Hex	1
20	00-844732	Buzzer	1
21	00-135919-00030	Rail - Din 7mm x 35mm	1
22	SC-118-42	Cap Screw M4 x 0.7 x 10mm Hex Hd. SST	1
23	SC-200-16	Cap Screw M4 x 0.76 x 8mm Socket Hex Hd.	1
24	00-492105	Thermostat - High Limit	1
25	SC-120-49	Cap Screw M5 x 0.8 x 20mm Hex Hd.	1
26	WL-019-69	Lockwasher - M5 External Shakeproof	1
27	00-492383	Bracket	1
28	00-152480-00021	Fuse 2 Amp	1
29	00-152480-00022	Fuse 6.3 Amp	1
30	00-844687	Fuseholder	1
31	00-492431	Adapter - Din Rail	1
32	00-844893	RC Device	1
33	00-844887	Contact-Door Motor	1
34	00-322847-00001	Contact- Convection D7, D8	1
35	00-453611-00001	Contact-Boiler D7, D8	1
36	00-148393-00001	Contacts - Auxiliary Motor Protection Relay	1
37	00-844701-00001	Protector - Motor O.L. 208-240 V., 2 Speed	1
38	00-844701-00002	Protector - Motor O.L. 480 V.	1
39	00-844701-00003	Protector - Motor O.L. 208-240 V., 1 Speed	1
*40	00-844888	Contact- Convection Motor(2 Speed)(HEP/FEP)	1
*41	00-844889	Contact- Convection Motor(1 Speed)(HE/FE)	1
42	00-844688	Plug-Fuse Holder	3

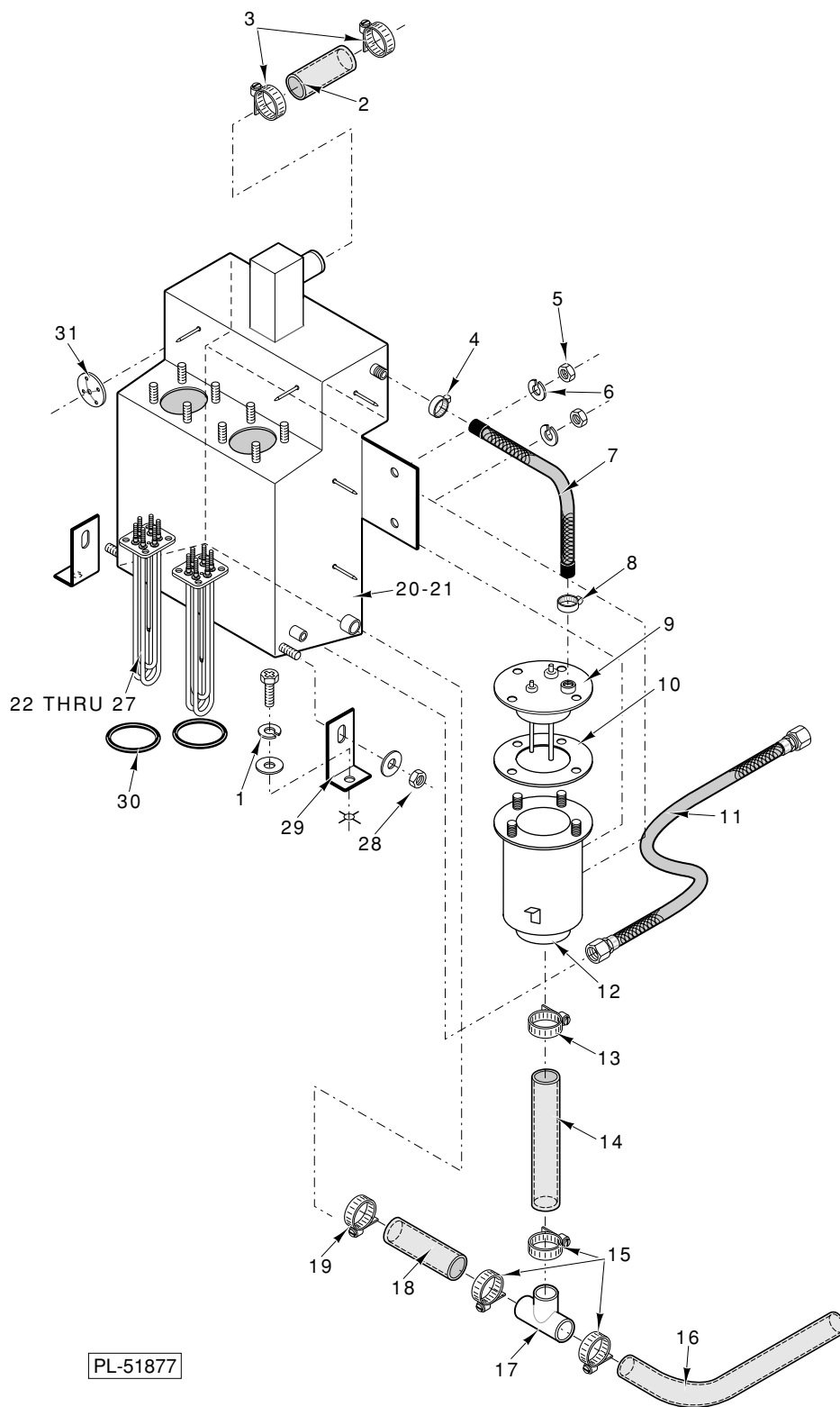


PL-51870

**ELECTRICAL CONNECTIONS
VC10FE/VC10FEP**

ELECTRICAL CONNECTIONS VC10FE/VC10FEP

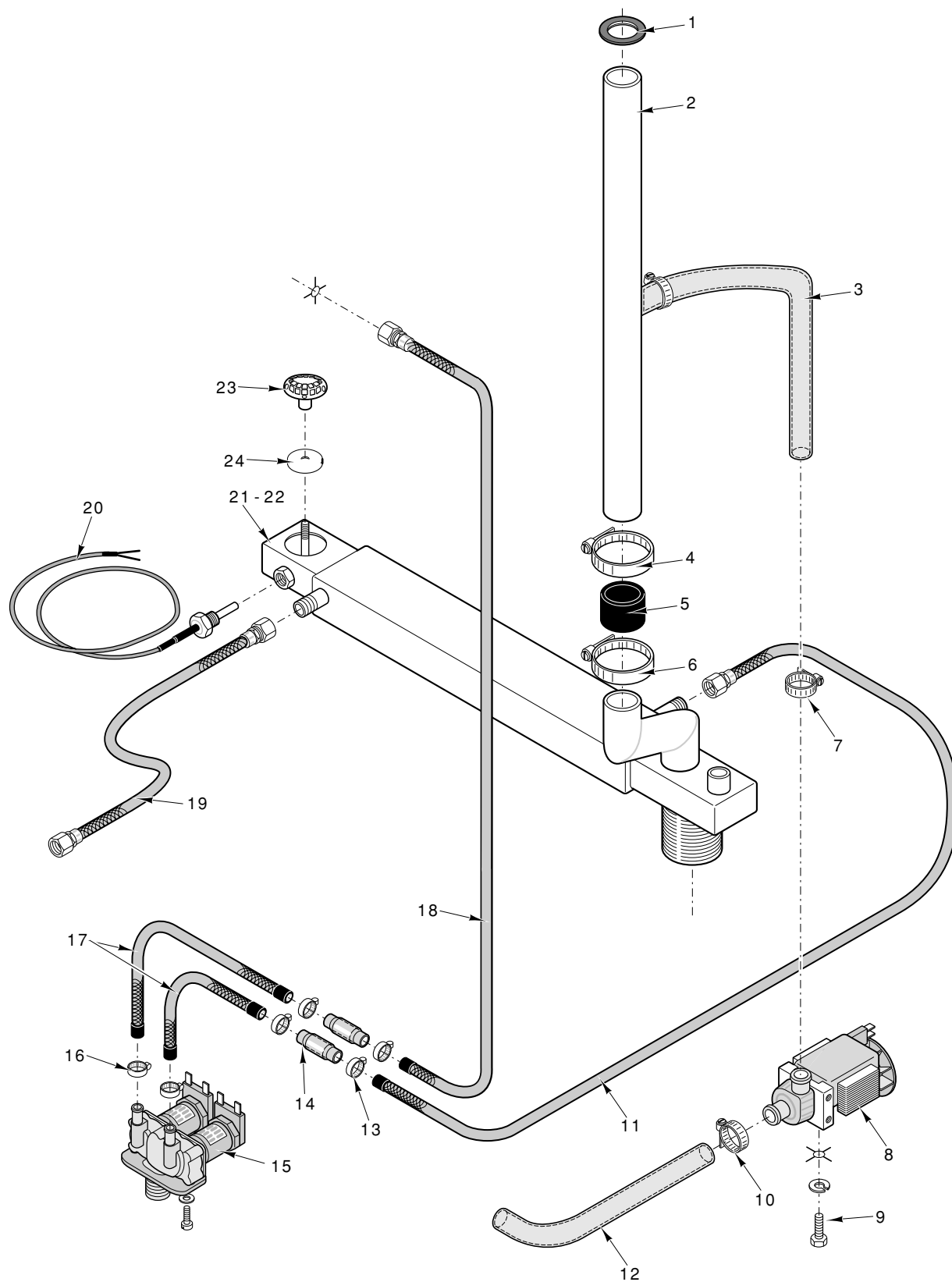
ILLUS. PL-51870	PART NO.	NAME OF PART	AMT.
1	00-135919-00030	Rail - Din 7mm x 35mm	1
2	00-228428	Stop - End	1
3	00-844887	Contactora-Door Motor	1
4	00-844893	RC Device	1
5	00-148393-00001	Contacts - Auxiliary Motor Protection Relay	1
6	SC-118-42	Cap Screw M4 x 0.7 x 10mm Hex Hd. SST	1
7	00-844583-00001	Control-Water Level	1
8	00-844888	Contactora, Convection Motor(2 Speed)	1
9	00-844893	RC Device	1
10	00-844701-00001	Protector - Motor O.L. 208-240 V., 2 Speed	1
11	00-844701-00002	Protector - Motor O.L. 480 V.	1
12	00-844701-00003	Protector - Motor O.L. 208-240 V., 1 Speed	1
13	00-453611-00001	Contactora-Boiler D7, D8	1
14	00-322847-00001	Contactora - Convection D7, D8	1
15	00-322281-00001	Filter - Line (Corcom)	1
16	00-492431	Adapter - Din Rail	1
17	00-492458	Bracket	1
18	00-844730	Transformer 190 VA	1
19	SC-119-02	Cap Screw M5 x 0.8 x 10mm Hex Hd. SST	1
20	00-492189	Grommet	1
21	00-492994	Fan - Compartment Cooling	1
22	SC-118-42	Cap Screw M4 x 0.7 x 10mm Hex Hd. SST	1
23	00-844771	Bracket	1
24	00-492179	Block - Terminal 7mm	1
25	00-150443-00050	Block - Terminal Ground 16mm	1
26	00-150443-00049	Block - Terminal Supply Line 16mm	1
27	00-300099-00001	Fuse - 0.5 Amp (5 x 20mm GMA)	1
28	00-167938	Block - Terminal Fuseholder	1
29	00-228428	Stop - End	1
30	00-492105	Thermostat - High Limit	1
31	00-844687	Fuseholder	1
32	SC-120-49	Cap Screw M5 x 0.8 x 20mm Hex Hd.	1
33	00-152480-00021	Fuse 2 Amp	1
34	00-152480-00022	Fuse 6.3 Amp	1
35	00-492383	Bracket	1
36	SC-200-16	Cap Screw M4 x 0.76 x 8mm Socket Hex Hd.	1
37	SC-118-42	Cap Screw M4 x 0.7 x 10mm Hex Hd. SST	1
38	00-844732	Buzzer	1
39	NS-047-47	Full Nut M3 Hex	1
40	00-844688	Plug-Fuse Holder	3



BOILER HEATER

BOILER HEATER

ILLUS. PL-51877	PART NO.	NAME OF PART	AMT.
1	WL-019-69	Lockwasher - M5 External Shakeproof	1
2	00-492144-00009	Hose 25mm Dia(Boiler Cavity)	1
3	00-149878-00001	Clamp - Hose	1
4	00-844570	Clamp-Hose	1
5	NS-047-37	Nut - M5 x 0.8 Hex SST	1
6	WL-019-69	Lockwasher - M5 External Shakeproof	1
7	00-492117-00002	Tube	1
8	00-844570	Clamp-Hose	1
9	00-844721	Cover - Water Level w/Electrodes	1
10	00-844571	Gasket - Water Level Cannister	1
11	00-322260-00001	Hose-Boiler to Boiler Preheater (900 mm Lg)	1
12	00-844572	Can - Water Level Cannister	1
13	00-149978-00001	Clamp - Hose (Worm, 25mm Dia.)	1
14	00-492144-00010	Hose (T-Fitting, 25mm Dia.)	1
15	00-149978-00001	Clamp - Hose (Worm, 25mm Dia.)	1
16	00-492144-00005	Hose 25mm Dia T-Fitting-Pump to Boiler	1
17	00-844716	Tee (25mm)	1
18	00-492144-00007	Hose (25mm Dia. T-Fitting)	1
19	00-149978-00001	Clamp - Hose (Worm, 25mm Dia.)	1
20	00-492630	Boiler (Full Size)	1
21	00-492630	Boiler (Full Size)	1
22	00-844695-00001	Heat - Boiler (8 KW, 208 V.)	1
23	00-491771-00001	Heater - Boiler (8 KW, 240 V)	1
24	00-844695-00003	Heater - Boiler (8 KW, 480 V)	1
25	00-844695-00002	Heater - Boiler (10 KW, 208 V)	1
26	00-322158-00004	Heater - Boiler (10KW, 240 V)	1
27	00-844695-00004	Heater - Boiler (10 KW, 480 V)	1
28	NS-047-37	Nut - M5 x 0.8 Hex SST	1
29	00-492806	Bracket	1
30	00-233982-00001	O Ring-Boiler Heater Seal	1
31	00-233924-00001	Retainer-Insulation (Press On)	1

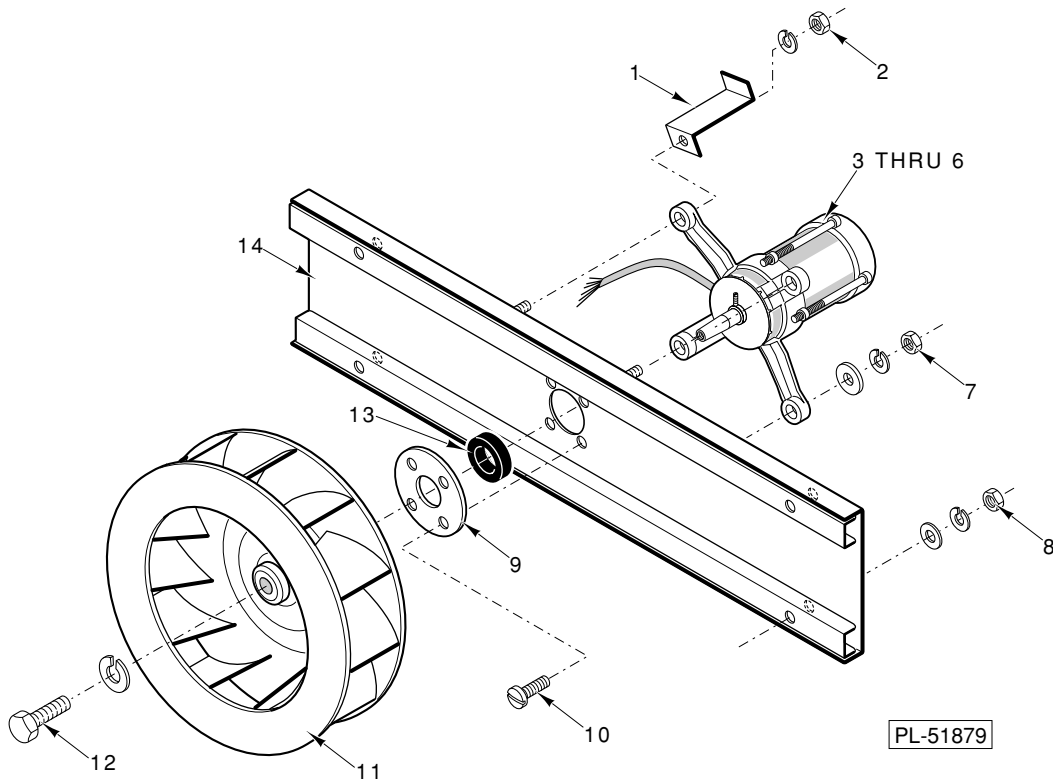


PL-52983

PIPEWORK DRAIN

PIPEWORK DRAIN

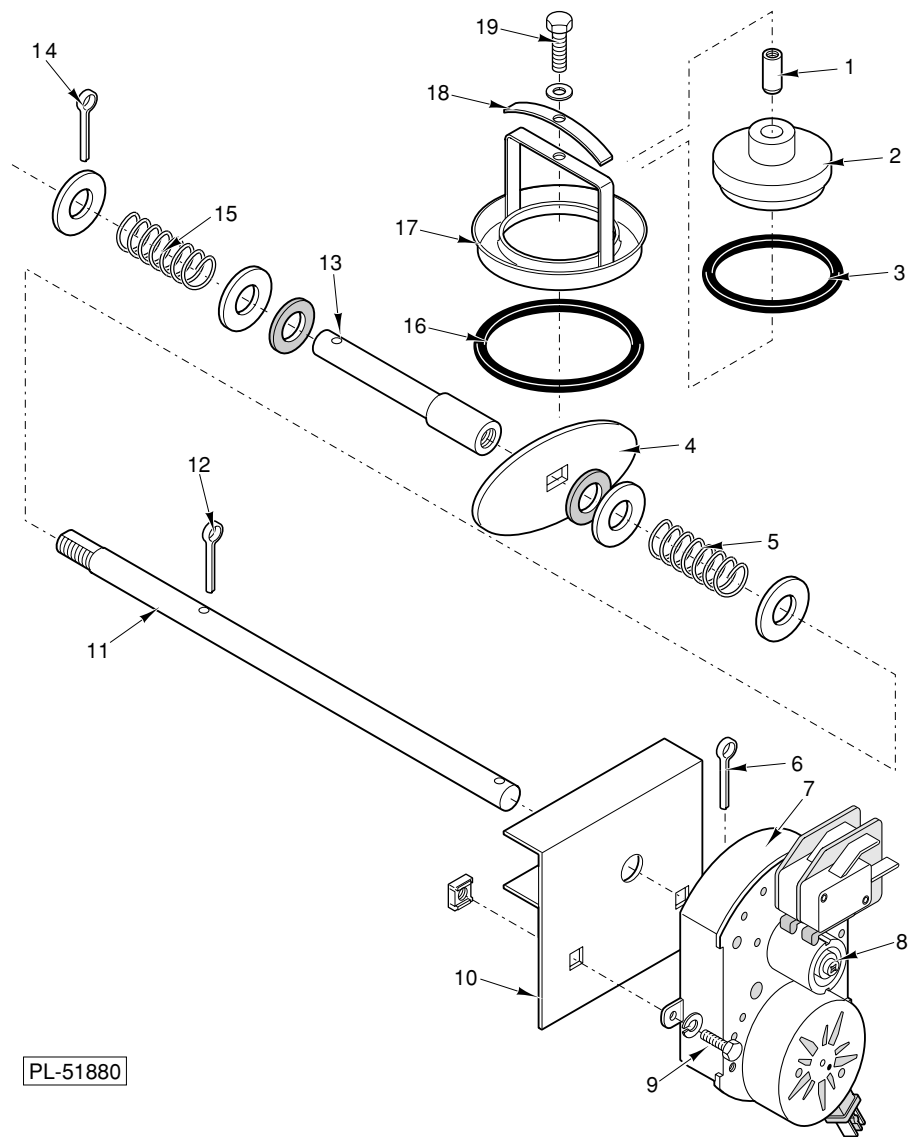
ILLUS. PL-52983	PART NO.	NAME OF PART	AMT.
1	00-492110	Grommet - Drain Pipe Vent	1
2	00-844753	Tube-Drain Vent	1
3	00-844672-00003	Tube-Covisil Drain to Pump	1
4	00-844575	Clamp-Hose	1
5	00-492202	Tube - Drain Vent Connector	1
6	00-844575	Clamp-Hose	1
7	00-149978-00001	Clamp - Hose (Worm, 25 mm Dia.)	1
8	00-844697	Pump - Boiler Drain	1
9	SC-118-58	Cap Screw M6 x 1.0 x 12mm Hex Hd.	1
10	00-149978-00001	Clamp - Hose (Worm, 25 mm Dia.)	1
11	00-322137-00005	Hose-Solenoid to Drain	1
12	00-492144-00005	Hose 25mm Dia T-Fitting-Pump to Boiler	1
13	00-844570	Clamp-Hose	1
14	00-492999	Valve - Check	1
15	00-492413	Solenoid Valve (Water Inlet)	1
16	00-844570	Clamp-Hose	1
17	00-492117-00003	Hose-Solenoid Valve to Back Flow	1
18	00-322137-00006	Hose-Backflow to Injector	1
19	00-322260-00001	Hose-Boiler to Boiler Preheater (900 mm Lg)	1
20	00-322135	Probe - Temperature (L=2400)	1
21	00-844750	Drain Tube Assy. W/Integral Boiler Pre-Heater (Half Size)	1
22	00-844751	Drain Tube Assy. W/Integral Boiler Pre-Heater (Full Size)	1
23	00-322177	Knob	1
24	00-493544	Bracket - Interior Drain Strain	1



VENTILATION

VENTILATION

ILLUS. PL-51879	PART NO.	NAME OF PART	AMT.
1	00-491973	Bracket	1
2	NS-047-13	Nut - M6 x 1.0 Hex SST	1
3	00-844700	Fan Motor (208-240, 2 Speed)	1
4	00-844714	Fan Motor (480, 2 Speed)	1
5	00-844715	Fan Motor (208-240, 1 Speed)	1
6	00-844720	Fan Motor (480, 1 Speed)	1
7	NS-047-13	Nut - M6 x 1.0 Hex SST	1
8	NS-047-13	Nut - M6 x 1.0 Hex SST	1
9	00-492108	Cover - Convection Fan Seal	1
10	SC-118-42	Cap Screw M4 x 0.7 x 10mm Hex Hd. SST	1
11	00-233978-00002	Air Rotor - Convection	1
12	SC-121-17	Cap Screw M10 x 20mm Hex Hd.	1
13	00-322190-00001	Seal - Convection	1
14	00-491969	Bracket - Motor Mounting	1

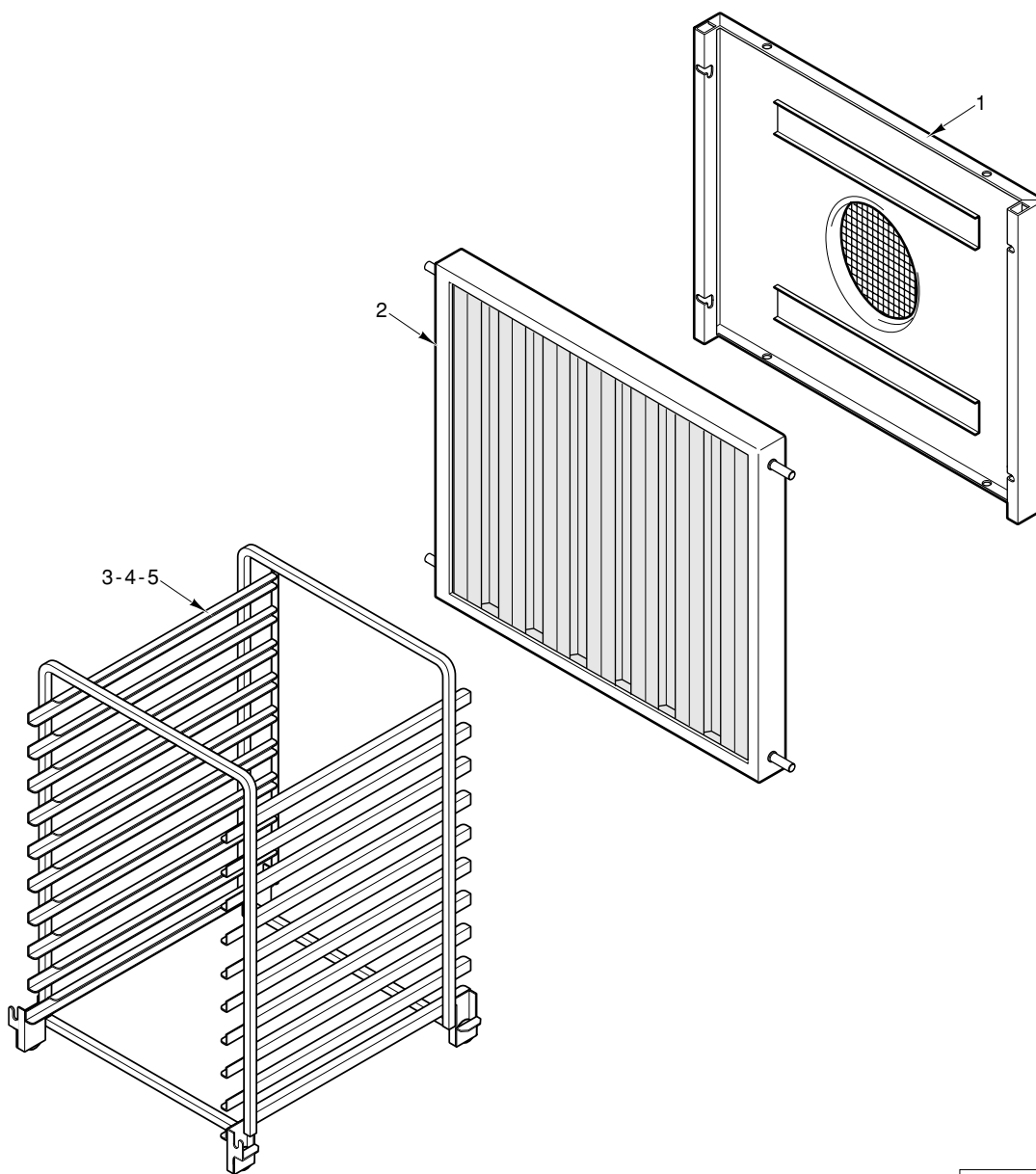


PL-51880

VENT

VENT

ILLUS. PL-51880	PART NO.	NAME OF PART	AMT.
1	00-322061	Shaft - Guide	1
2	00-152972	Vent	1
3	00-233982-00004	O-Ring	1
4	00-233955	Disc	1
5	00-322083	Spring	1
6	00-602884	Pin - Cotter	1
7	00-233979-00001	Motor - Fan	1
8	00-322064	Cam	1
9	SC-119-02	Cap Screw M5 x 0.8 x 10mm Hex Hd. SST	1
10	00-491991	Plate	1
11	00-492103	Shaft - Drive	1
12	00-602884	Pin - Cotter	1
13	00-492107	Pipe	1
14	00-602884	Pin - Cotter	1
15	00-322083	Spring	1
16	00-233982-00005	O-Ring	1
17	00-322127	Housing	1
18	00-322303	Spring	1
19	SC-120-49	Cap Screw M5 x 0.8 x 20mm Hex Hd.	1



PL-51881

FILTER CARRIAGE

ILLUS. PL-51881	PART NO.	NAME OF PART	AMT.
1	00-492075	Panel - Filter	1
2	00-233836-00002	Filter - Flat	1
3	00-844723	Rack - Insert (Half Size)	1
4	00-844725	Rack - Insert (Full Size)	1
5	00-492784	Retainer, Rack Location(Not Shown)	1