

VULCAN

CATALOG OF REPLACEMENT PARTS

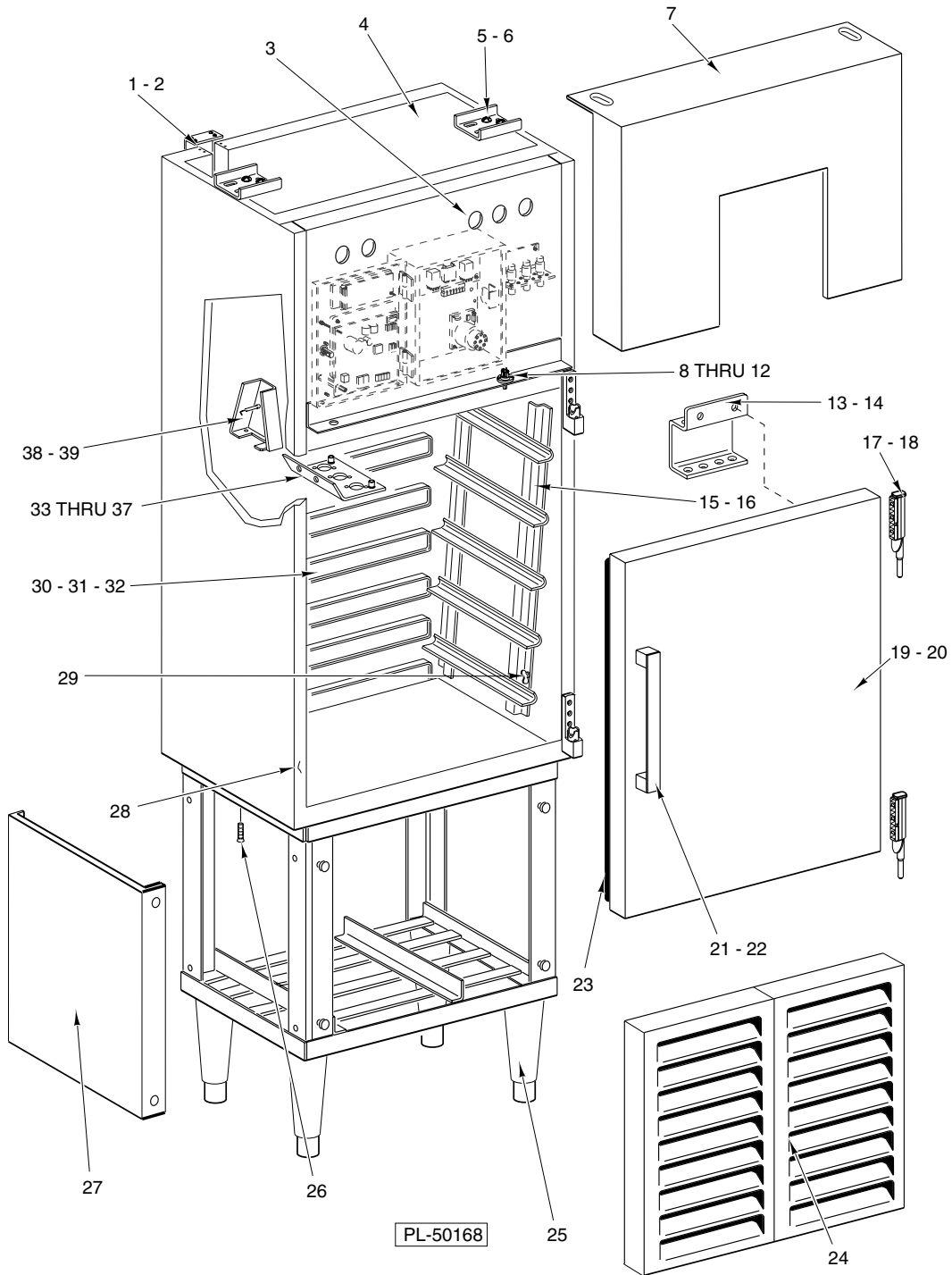
BLAST CHILLER MODEL VBC5

Includes Printer/Controller



TABLE OF CONTENTS

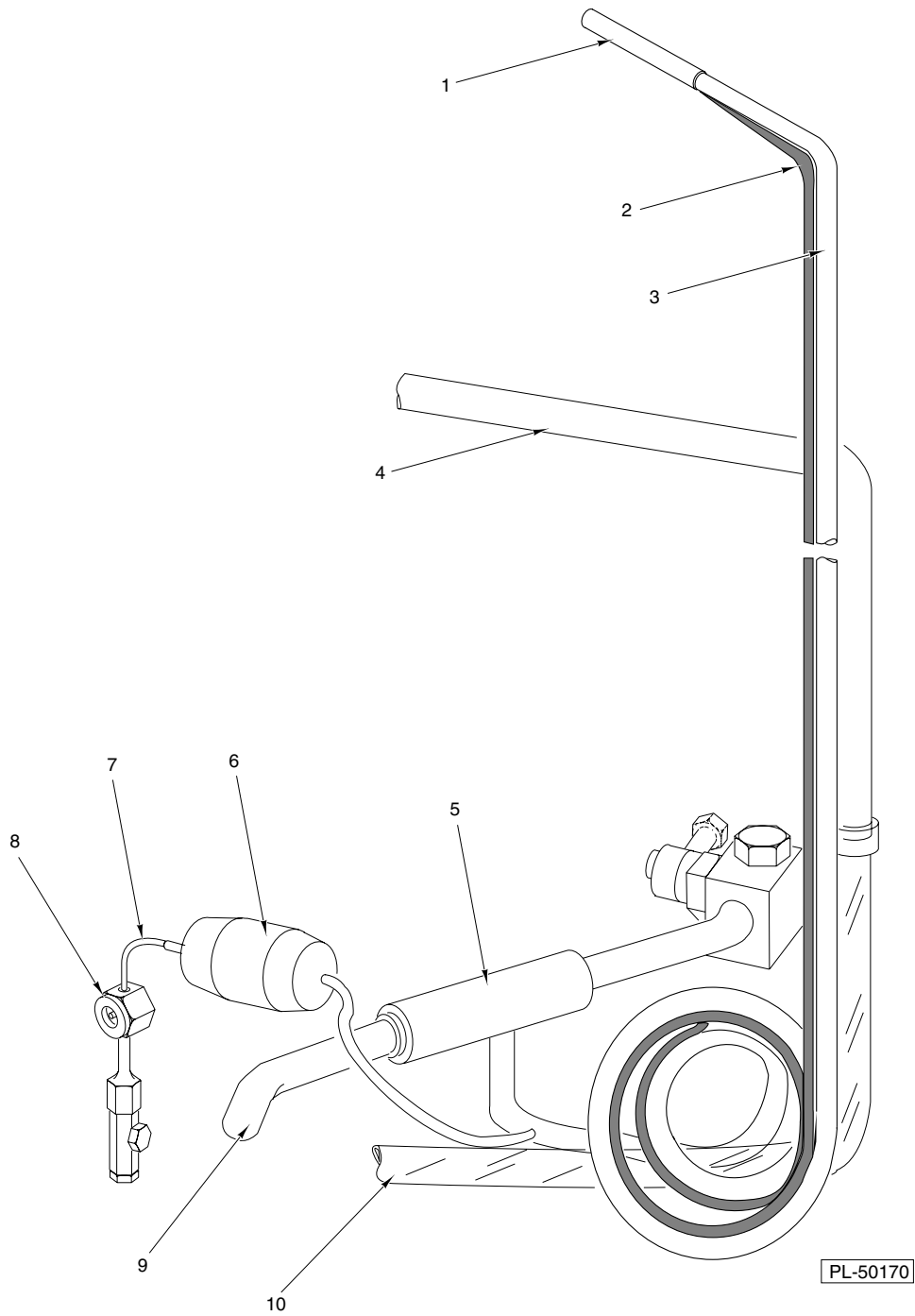
PAGE	DESCRIPTION
5	CABINET
7	SUCTION LIQUID LINE ASSEMBLY
9	CONDENSING UNIT
11	DRAIN PAN AND BLOWER
13	LOW SIDE SYSTEM
15	CONTROL BOX ASSEMBLY
17	PRINTER CONTROL BOX ASSEMBLY
19	POWER BOX ASSEMBLY



CABINET

CABINET

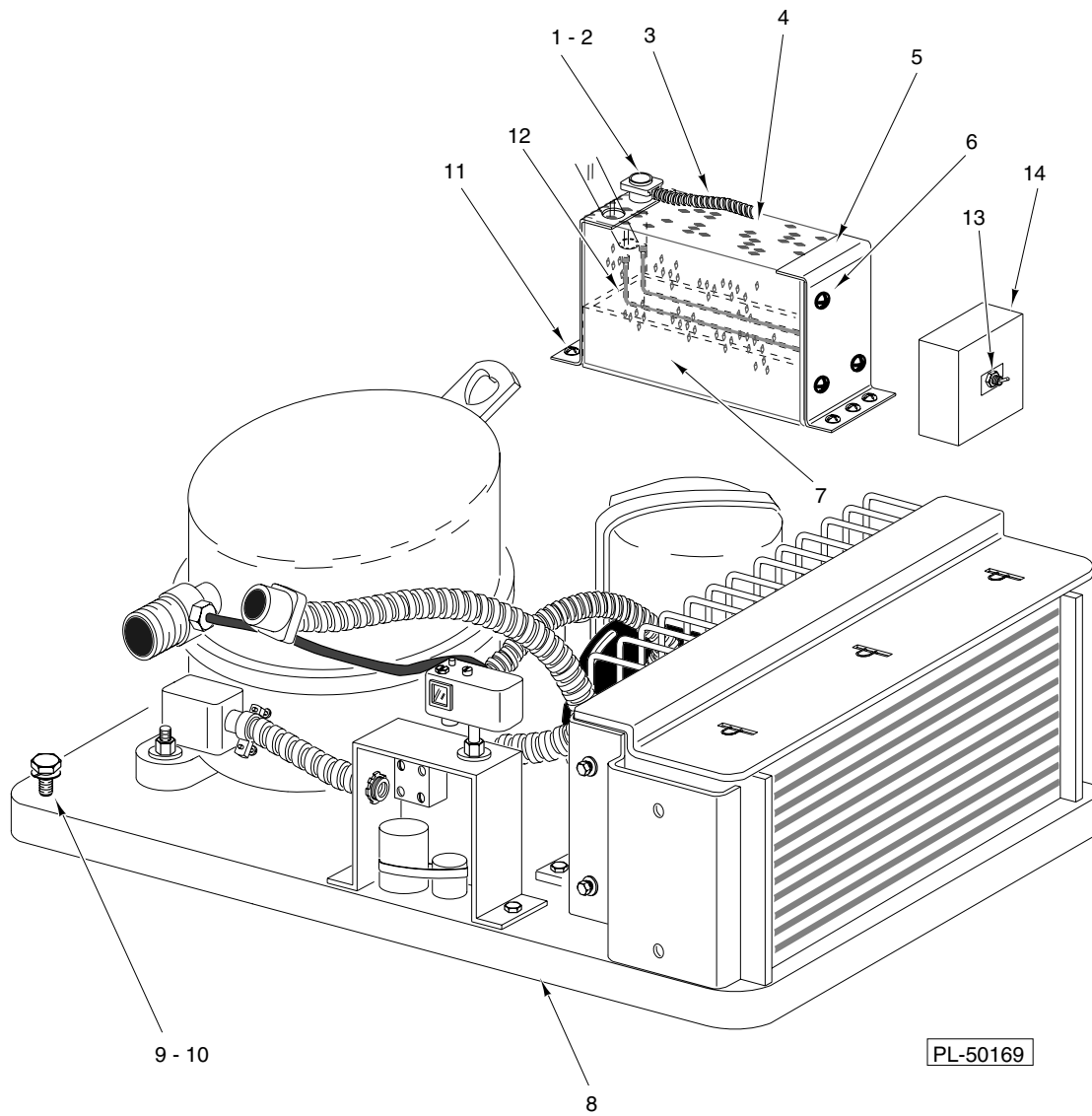
ILLUS. PL-50168	PART NO.	NAME OF PART	AMT.
1	SD-033-33	Self-Tapping Screw 8-18 x $\frac{5}{16}$ Phil Truss Hd., Type A	16
2	00-430989	Cover - Raceway	1
3	FE-021-24	Bushing - Electrical Snap	5
4	00-431024	Cover - Cabinet	1
5	00-431027	Bracket - Cover Latch	2
6	SC-110-13	Mach. Screw 10-32 x $\frac{5}{16}$ Phil Rd. Hd.	4
7	00-431847	Trim - Upper Front	1
8	00-431587	Switch (Normally Closed)	1
9	SD-007-30	Self-Tapping Screw 6-20 x $\frac{3}{16}$ Phil Rd. Hd., Type B	2
10	00-431354	Bracket - Control Connector	1
11	00-431352	Bracket - Fan Switch	1
12	SD-033-33	Self-Tapping Screw 8-18 x $\frac{5}{16}$ Phil Truss Hd., Type A	4
13	00-431237	Bracket - Product Probe Storage	1
14	00-266357-00002	Screw - Knurled Thumb (Chrome Finish)	2
15	00-431536	Support - Shelf R.H.	1
16	00-431533	Support - Shelf L.H.	1
17	00-430098	Hinge - Edgemount	2
18	SD-033-35	Self-Tapping Screw 10-24 x 1 Phil Flat Hd., Type C	12
19	00-431020-00001	Door R.H.	1
20	00-431020-00002	Door L.H.	1
21	00-430026-00001	Handle	1
22	SD-033-46	Self-Tapping Screw 10-24 x $1\frac{3}{4}$ Phil Flat Hd., Type TT	2
23	00-268821-00009	Gasket - Door	1
24	00-431362	Louver	1
25	00-266703	Leg - Equipment	4
26	SD-033-78	Self-Tapping Screw 10-24 x $\frac{1}{2}$ Phil Truss Hd., Type D	10
27	00-430383	Skirt - Lower Cabinet Side	1
28	00-430024-00003	Wire Heater Assy	1
29	00-266357-00002	Screw - Knurled Thumb (Chrome Finish)	24
30	00-431350-00002	Support - Air Grill R.H.	1
31	00-431350-00001	Support - Air Grill L.H.	1
32	00-430366	Grill-Air Delivery	1
33	00-266357-00002	Screw - Knurled Thumb (Chrome Finish)	2
34	00-431861	Bracket - Product Probe Assy.	1
35	SD-007-30	Self-Tapping Screw 6-20 x $\frac{3}{16}$ Phil Rd. Hd., Type B	6
36	00-431802	Connector - Product Probe Plug	3
37	00-431803	Product Probe Assy.	3
38	00-431095	Sensor - Thermostat	1
39	00-266357-00002	Screw - Knurled Thumb (Chrome Finish)	2
	00-431041	Shelf (Set of 5)	2
	00-266718-00001	Leg Assy.	1
	00-430414	Caster Set	1
	00-431397	Cord & Plug Assy 1 Phase	1
	00-430855	Thermometer - Digital	1
	00-430415-00002	Caster Without Brake	2
	00-430415-00001	Caster With Brake	2



SUCTION LIQUID LINE ASSEMBLY

SUCTION LIQUID LINE ASSEMBLY

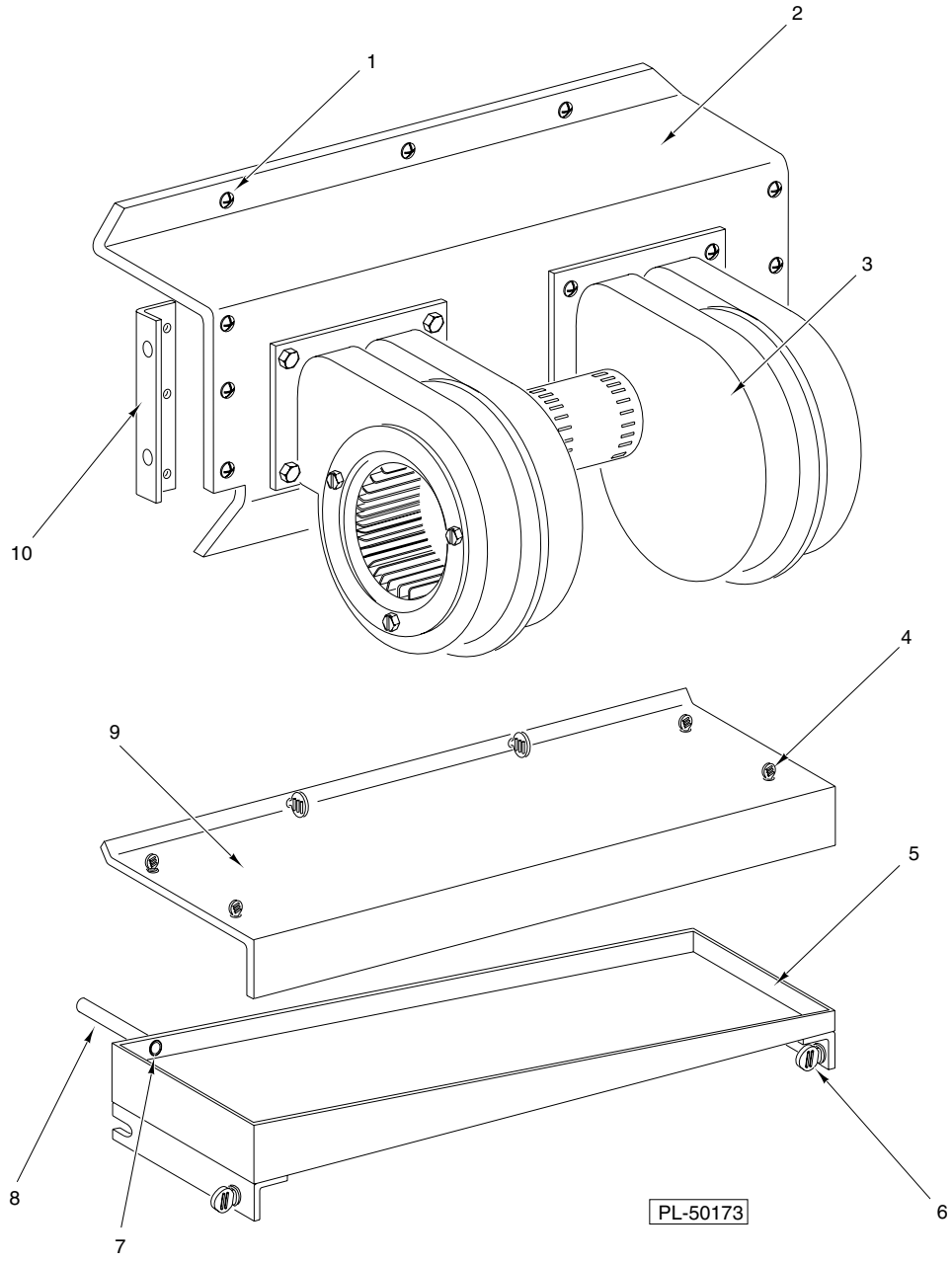
ILLUS. PL-50170	PART NO.	NAME OF PART	AMT.
1	00-542092	Tube - Rubber	1
2	00-431342	Tube - Suction / Liquid Assy	1
3	00-431852	Suction/Liquid Line	1
4	00-430952	Tube - Drain	1
5	00-249373-00005	Valve (CRO-6 ⁻⁵¹ / ₈ Short)	1
6	00-249372-00006	Drier (C-08355 Refrigerant)	1
7	00-431850	Tube - Compressor/Drier	1
8	00-249371-00005	Glass - Sight	1
9	00-431854	Tube - Cro Valve/Compressor	1
10	00-269013-00003	Tube (Cond. Evaporation to Drain)	1



CONDENSING UNIT

CONDENSING UNIT

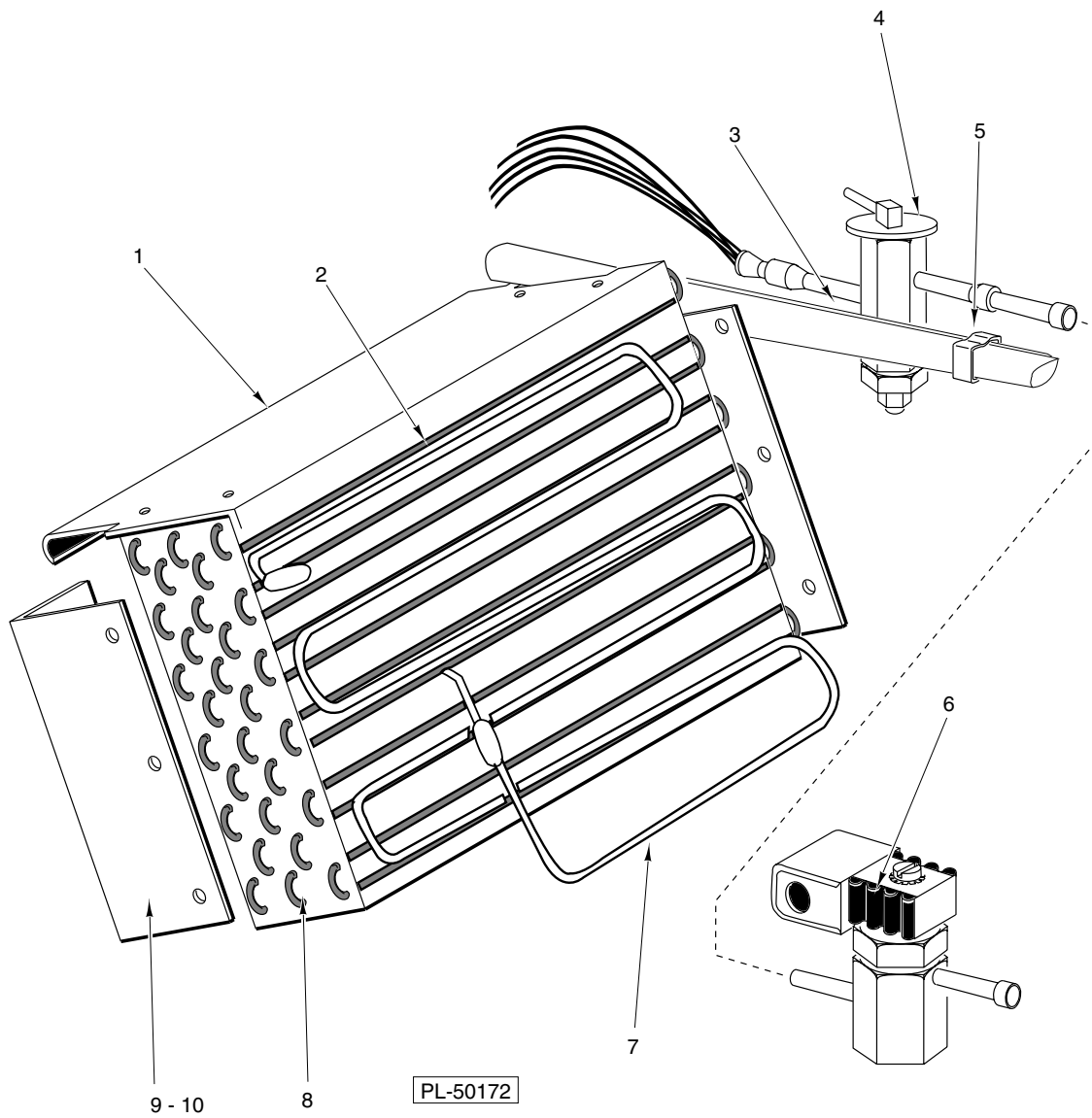
ILLUS. PL-50169	PART NO.	NAME OF PART	AMT.
1	FE-024-12	Connector - Conduit $\frac{3}{16}$ " (Plastic)	1
2	FE-016-02	Bushing - Snap	1
3	00-278566-00007	Conduit - Electrical $\frac{3}{16}$ "	1
4	00-431390	Cover - Condensate Pan	1
5	00-430375	Bracket - Condensate Pan	2
6	SD-033-78	Self-Tapping Screw 10-24 x $\frac{1}{2}$ " Phil Truss Hd., Type D	6
7	00-431029	Pan - Condensate Evaporation	1
8	00-431849	Condensing Unit	1
9	SC-109-40	Mach. Screw $\frac{5}{16}$ " x $1\frac{3}{4}$ " Hex Hd.	4
10	WL-003-47	Lockwasher $\frac{5}{16}$ " Medium	4
11	SD-033-33	Self-Tapping Screw 8-18 x $\frac{5}{8}$ " Phil Truss Hd., Type A	7
12	00-430059	Heater - Condensate Pan	1
13	00-087711-00239	Switch - Power On/Off	1
14	FE-013-26	Box - Conduit	2



DRAIN PAN AND BLOWER

DRAIN PAN AND BLOWER

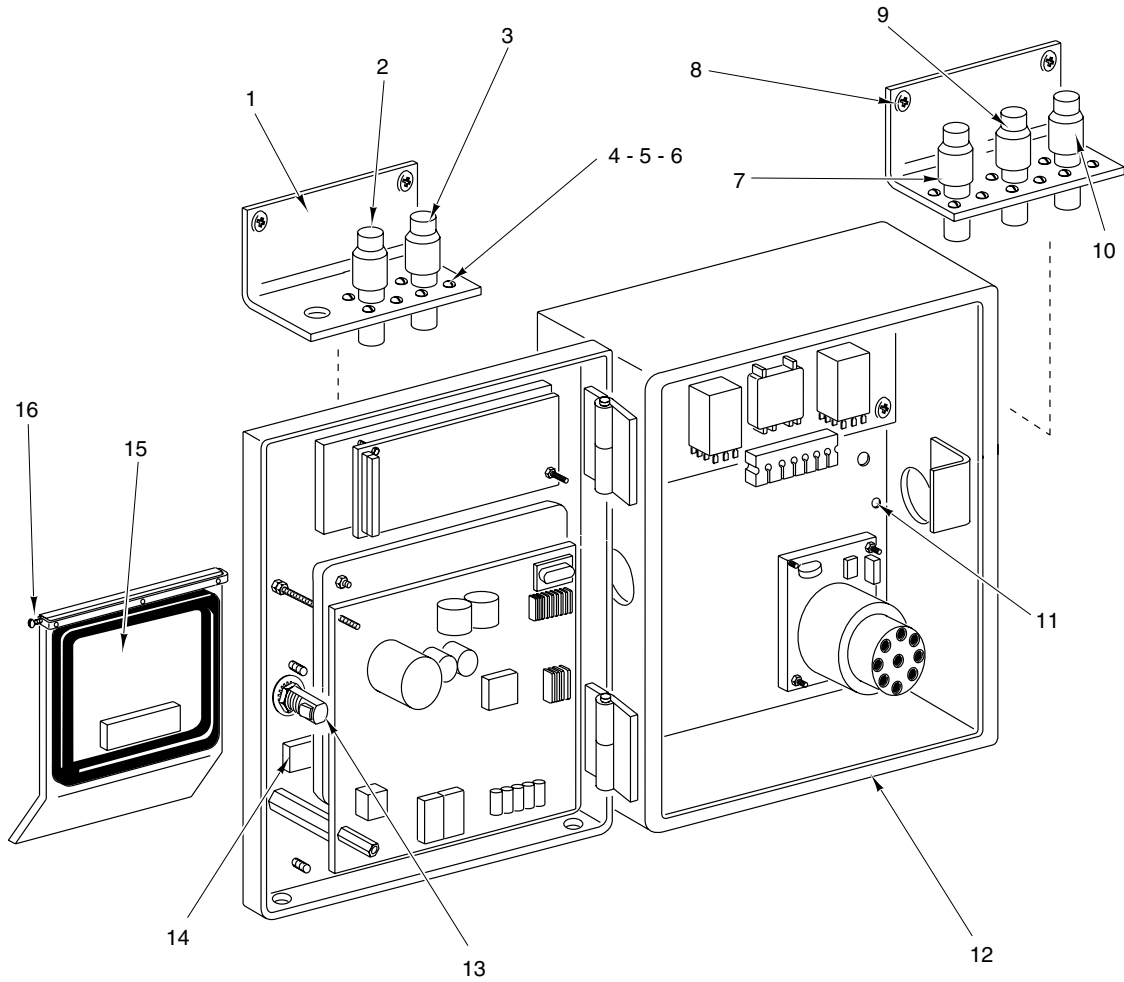
ILLUS. PL-50173	PART NO.	NAME OF PART	AMT.
1	SD-033-78	Self-Tapping Screw 10-24 x 1/2 Phil Truss Hd., Type D	18
2	00-430389	Support - Evaporator Fan	1
3	00-430871	Motor - Evaporator Fan	1
4	00-266357-00002	Screw - Knurled Thumb (Chrome Finish)	6
5	00-430951	Drain Pan Assy	1
6	00-266357-00002	Screw - Knurled Thumb (Chrome Finish)	2
7	00-430317-00001	Heater - Drain Tube	1
8	00-269013-00002	Hose - Drain Pan Connecting	1
9	00-430378	Cover - Drain Pan	1
10	00-431236	Support - Blower Cover	2



LOW SIDE SYSTEM

LOW SIDE SYSTEM

ILLUS. PL-50172	PART NO.	NAME OF PART	AMT.
1	00-430997	Deflector - Return Air	1
2	00-430073	Clip - Defrost Heater Retainer	6
3	00-431095	Sensor - Thermostat	1
4	00-249863-00033	Valve - Thermostatic Expansion	1
5	00-430325-00001	Switch - Thermostat (70 Deg. Limit)	1
6	00-268229-00009	Coil - Solenoid	1
7	00-430870	Heater - Defrost Evaporator	1
8	00-430869	Coil - Evaporator	1
9	00-430377	Support - Evaporator	2
10	SD-033-78	Self-Tapping Screw 10-24 x 1½ Phil Truss Hd., Type D	10
	00-431835	Low Side Assy. System (Incls. items 1,2,4 & 7 thru 10)	1

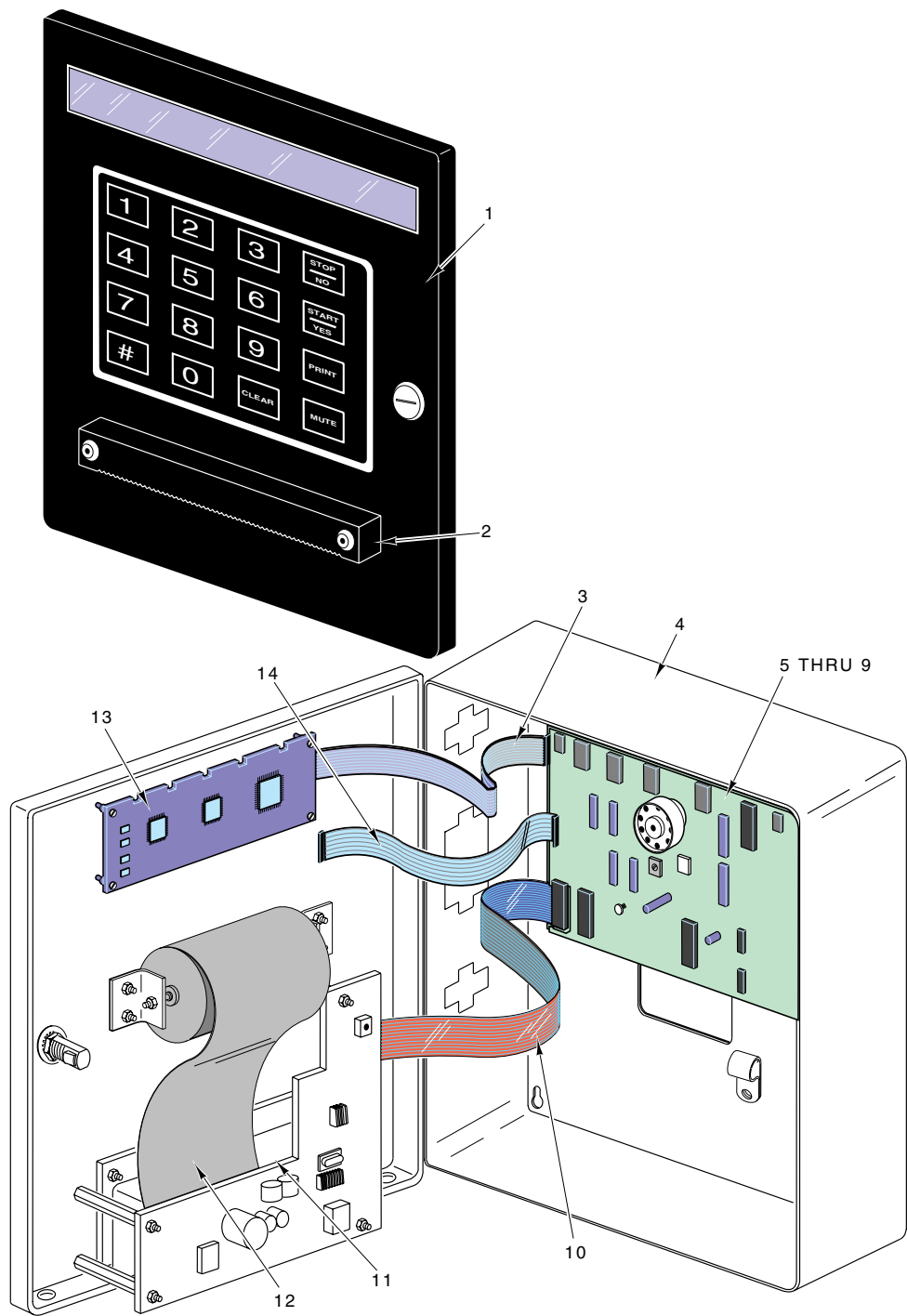


PL-50171

CONTROL BOX ASSEMBLY

CONTROL BOX ASSEMBLY

ILLUS. PL-50171	PART NO.	NAME OF PART	AMT.
1	00-431354	Bracket - Control Connector	2
2	00-431256	Cable - Sensor	1
3	00-431242	Cable - Probe	1
4	SC-007-14	Mach. Screw 4-40 x $\frac{3}{8}$ Rd. Hd.	20
5	WL-003-03	Lockwasher 4 Medium	20
6	NS-009-01	Mach. Nut 4-40 Hex	20
7	00-431364-00001	Harness - Wiring Output	1
8	SD-033-33	Self-Tapping Screw 8-18 x $\frac{5}{8}$ Phil Truss Hd., Type A	8
9	00-431363-00001	Harness - Wiring Output	1
10	00-431346-00001	Harness - Wiring	1
11	SD-033-78	Self-Tapping Screw 10-24 x $\frac{1}{2}$ Phil Truss Hd., Type D	4
12	00-431037-00007	Wired Control Box Assy.	1
13	00-431216	Latch - Control Box Locking	1
14	00-104135	Magnet - Catch	1
15	00-431251	Door - Printer Cover	1
16	SC-021-04	Mach. Screw 4-40 x $\frac{5}{16}$ Rd. Hd. SST	2

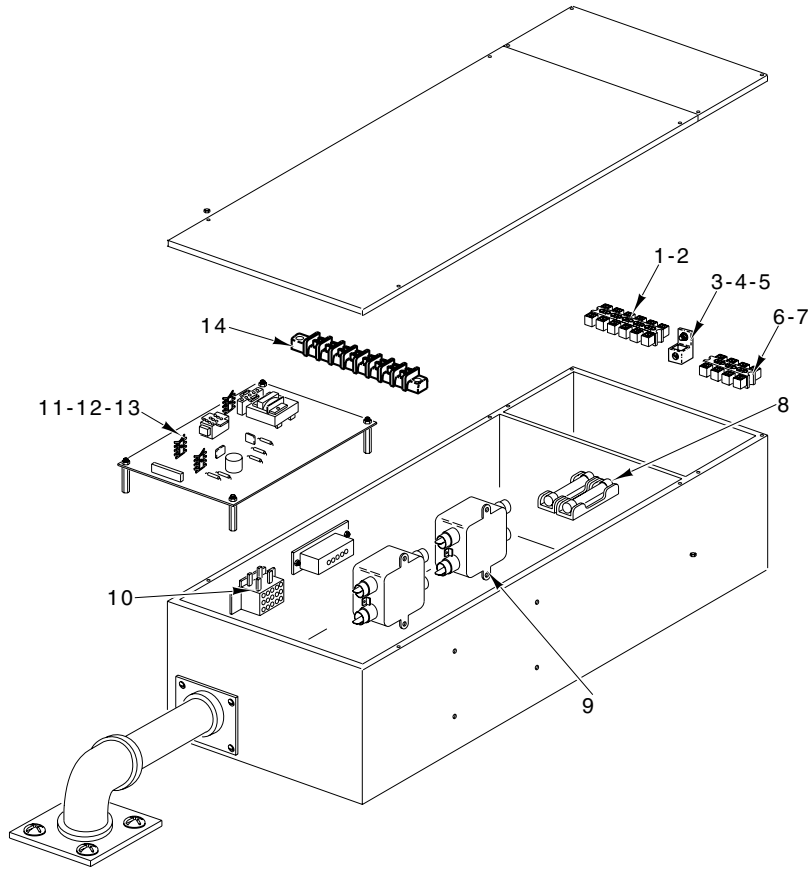


PL-52206

PRINTER/CONTROLLER ASSEMBLY

PRINTER/CONTROLLER ASSEMBLY

ILLUS. PL-52206	PART NO.	NAME OF PART	AMT.
1	00-282053	Keypad - Membrane	1
2	00-282127	Bar - Paper Tear	1
3	00-282070	Cable - Display	1
4	00-282048-00001	Control Panel Assy.	1
5	00-282049	Controller Board Assy.	1
6	00-282066	Cable - Sensor Input	1
7	00-282067	Cable - Door Switch Input	1
8	00-282065	Door Switch Cable	1
9	00-282057	Cable - Food Probe Coil & Air	1
10	00-282069	Cable - Printer Interface	1
11	00-282050	Printer Assy. (with Interface Board)	1
12	00-282051	Paper - Printer	1
13	00-282052	Display	1
14	00-282068	Cable - Board Interface	1



PL-52207

POWER BOX ASSEMBLY

POWER BOX ASSEMBLY

ILLUS.	PART	NAME OF PART	AMT.
PL-52207	NO.		
1	00-294325-013-2	Block - Terminal (Over 250 Volts)	1
2	SD-017-27	Self-Tapping Screw 6-20 x $\frac{3}{16}$ Rd. Hd., Type AB	2
3	00-118544-00004	Lug - Solderless	1
4	SD-008-25	Self-Tapping Screw 10-16 x $\frac{3}{8}$ Phil Bind Hd., Type B	1
5	WL-007-12	Lockwasher 10 External Shakeproof	1
6	00-294325-013-4	Block - Terminal (Under 250 Volts)	1
7	SD-017-27	Self-Tapping Screw 6-20 x $\frac{3}{16}$ Rd. Hd., Type AB	2
8	00-282054	Box - Hi Volt Interface	2
9	00-282128	Relay	2
10	00-282060	Cable - Interface	1
11	00-282055	Input - Power	1
12	00-282056	Cable - Output	1
13	00-282059	HV Board Assy.	1
14	00-282130	Protector - Surge	1

