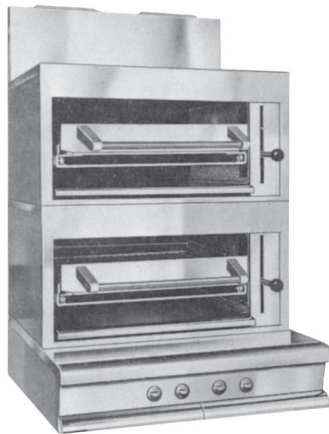
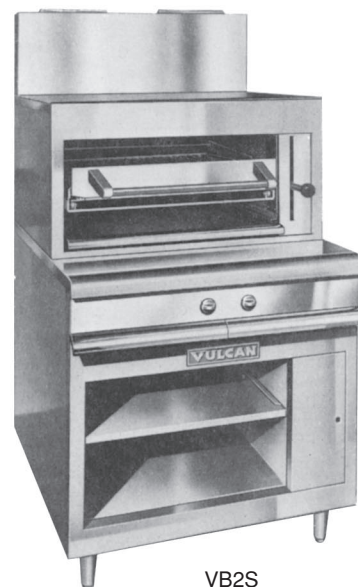


REPLACEMENT PARTS MANUAL FOR HEAVY DUTY ELECTRIC BROILERS MODELS VTMB22, VTMB2, VB2S, VB21



VTMB22



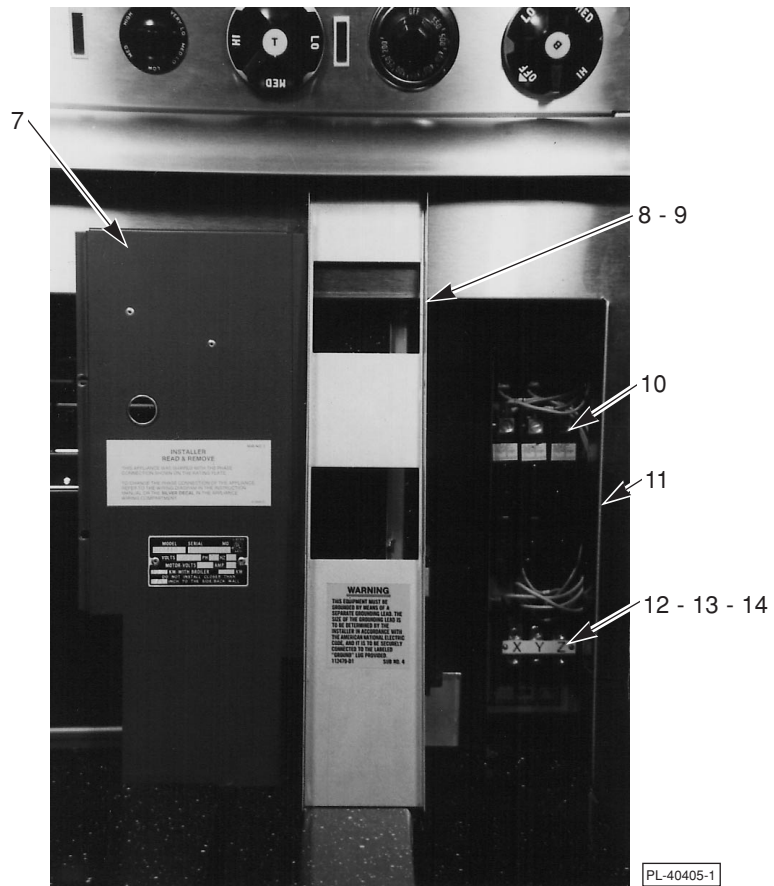
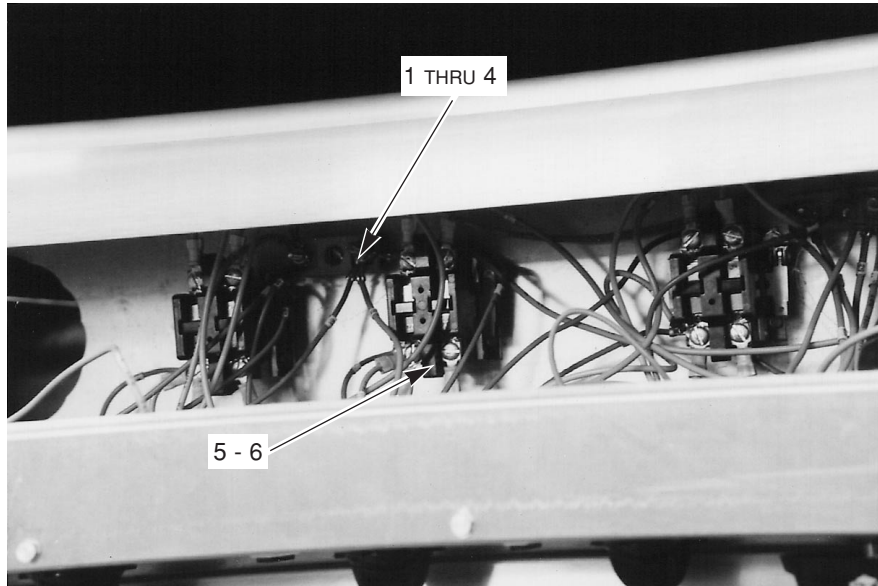
VB2S



VB21



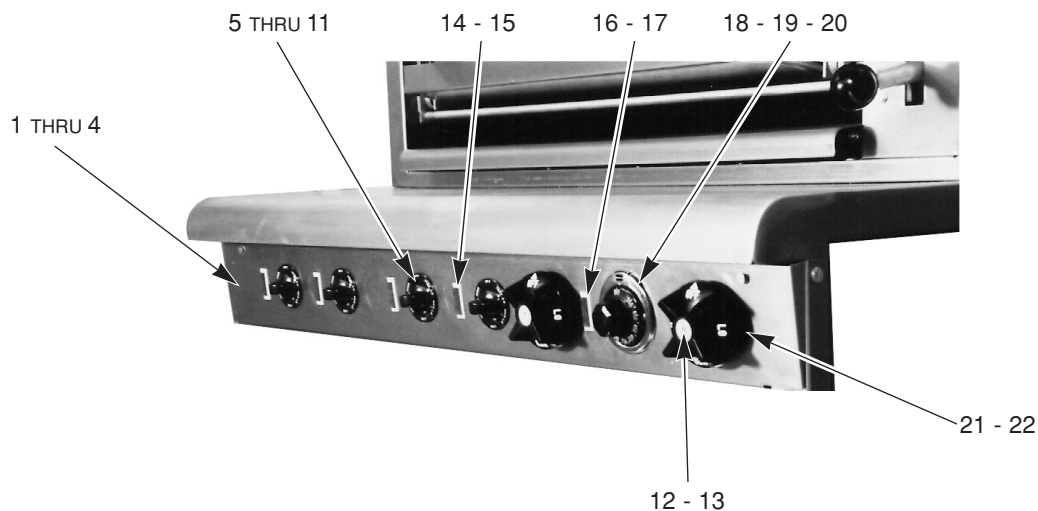
VTMB2



ELECTRICAL COMPONENTS

ELECTRICAL COMPONENTS

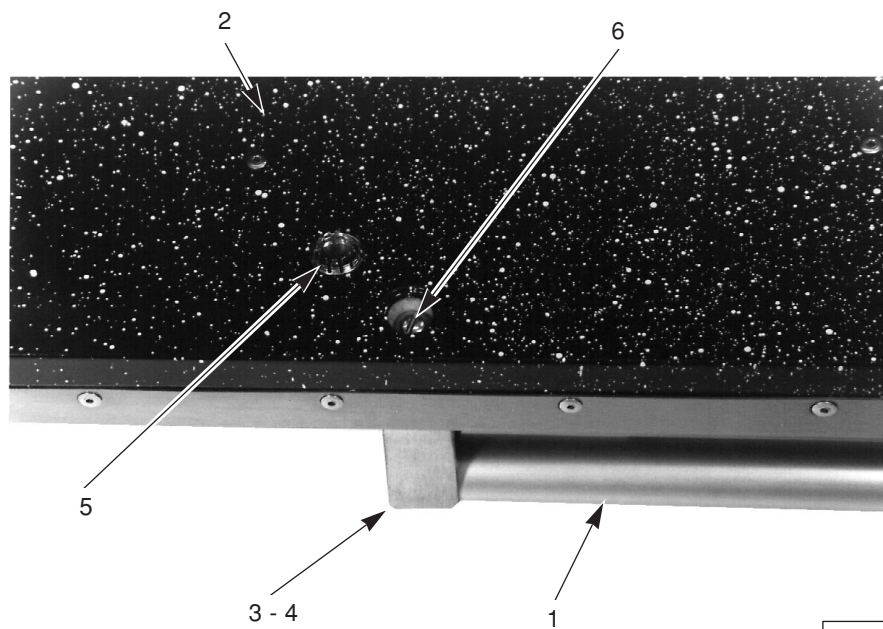
ILLUS. PL-40405	PART NO.	NAME OF PART	AMT.
1	417934-G1	Block Assy. - Porcelain (208-240 V. Machine)(Incls.items 2, 3 & 4)	AR
2	SC-117-3	Mach. Screw 10-24 x 1¼ Rd. Hd.	AR
3	WS-23-20	Washer	AR
4	NS-44-9	Nut Assy 10-24 Hex "KEPS"	AR
5	411497-B1	Contactora (208-240 V. Machines)	AR
6	417856-1	Ground Lug (VB21, VB221)	1
7	406708-G1	Door - Breaker Panel	1
8	412578-1	Closure - Breaker (208-240 V.)(Shown)	1
9	412578-2	Closure - Breaker (480 V.)	1
10	411501-14	Circuit Breaker (50 Amp.)(208-240 V. Machines)	AR
11	412577-1	Box - Breaker	1
12	410472-9	Block - Terminal (208/240 V.)	1
13	410472-11	Terminal Block (208-240 V.)	1
14	410472-8	Terminal Block (480 V.)	1



PL-40406-1

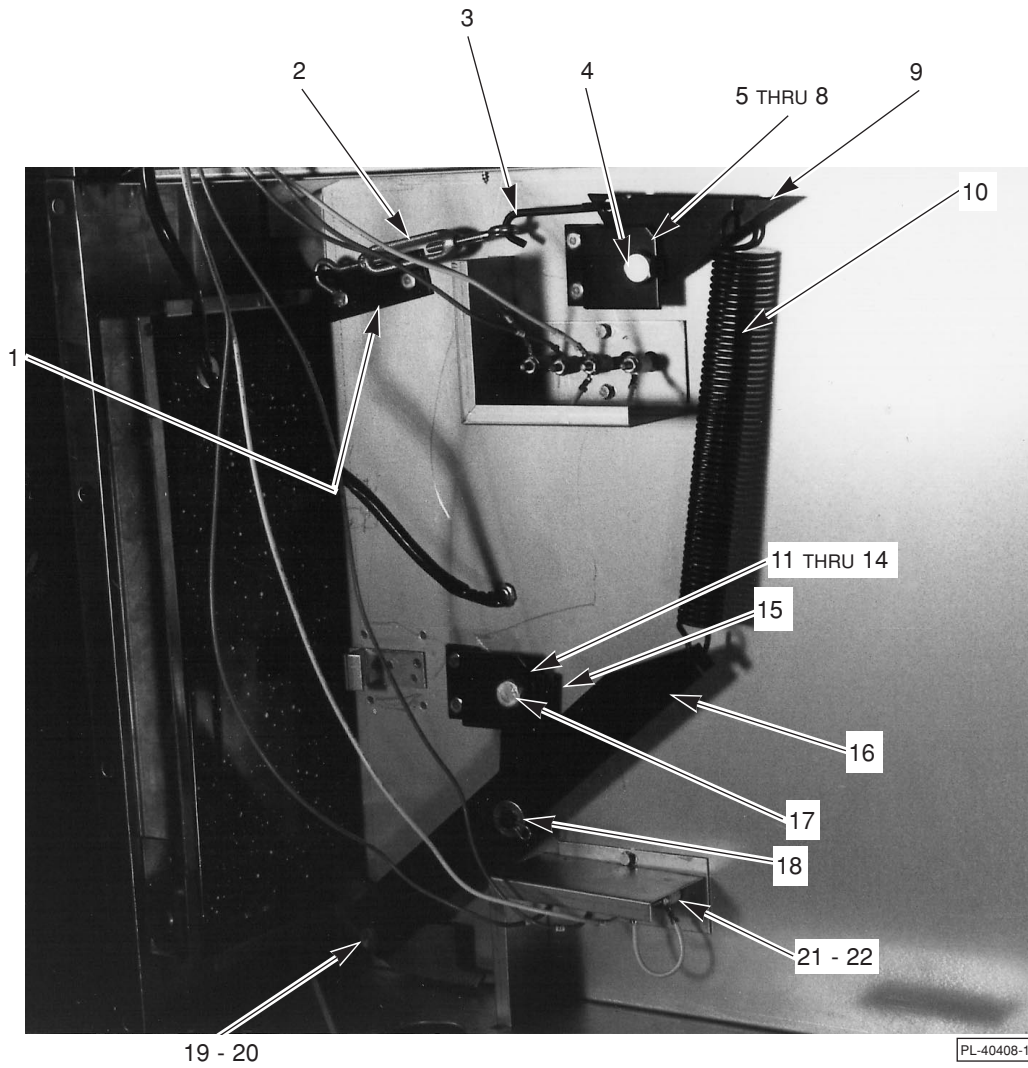
SWITCH PANEL CONTROL

ILLUS. PL-40406	PART NO.	NAME OF PART	AMT.
1	411764-G1	Panel - Switch (VB221)	1
2	411764-G2	Panel - Switch (VB21)	1
3	411764-G3	Panel - Switch (VB22S, VMB22)	1
4	411764-G4	Panel - Switch (VB2S, VMB2)	1
5	412251-2	Knob - Infinite Control (208-240 V. Machines)(Shown)	AR
6	407727-6	Knob - 3 Heat (480 V. Machines)	AR
7	411503-3	Switch (208 V. Machines)	AR
8	411503-2	Switch (240 V. Machines)	AR
9	355798-1	Switch - 3 Heat Select (480 V. Machines)	AR
10	414639-1	Tab - I.D. (R)(480 V. Machines)	AR
11	414639-3	Tab - I.D. (F)(480 V. Machines)	AR
12	414639-4	Tab - I.D. (F)(Top)	1
13	414639-5	Tab - I.D. (Bottom)	1
14	411496-E4	Indicator Light - Red (Broiler)	AR
15	417876-1	Resistor - 300 K (Use on 480 V. Machines)	AR
16	411496-E5	Indicator Light - Oven	1
17	417876-1	Resistor - 300 K (Use on 480 V. Machines)	1
18	415119-7	Dial (200 - 500 Deg F)	1
19	415119-6	Bezel	1
20	415119-2	Thermostat (200 - 550 Deg F)	1
21	407727-6	Knob - 3 Heat (Oven)	2
22	355798-1	Switch - 3 Heat Select (Oven)	2



DOOR UNIT - OVEN

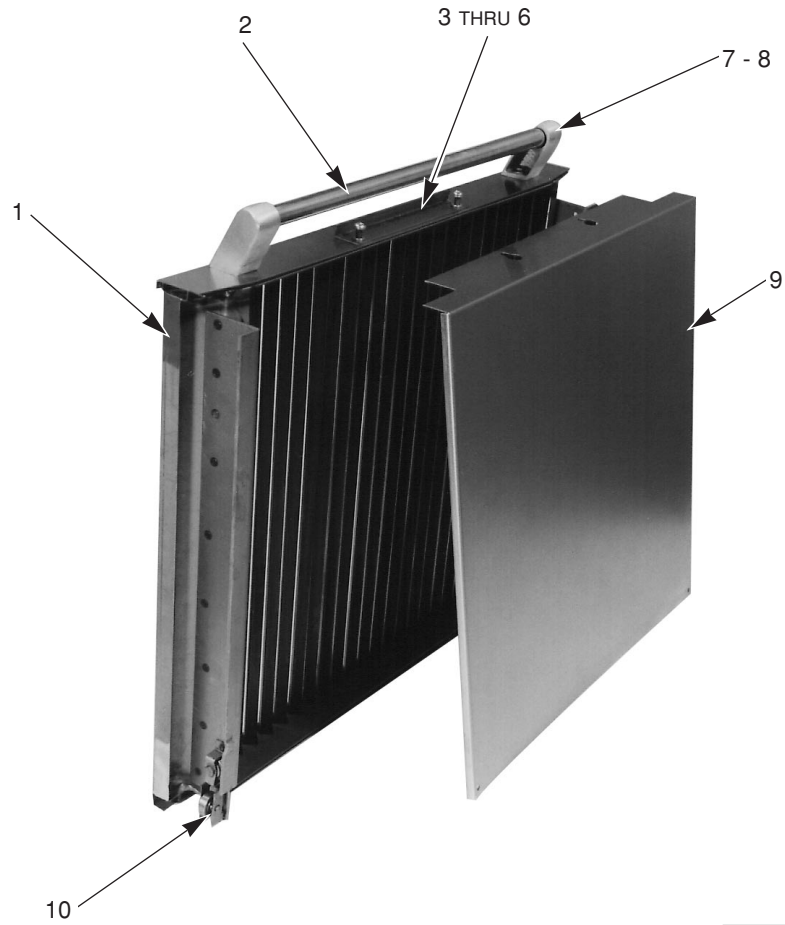
ILLUS. PL-40407	PART NO.	NAME OF PART	AMT.
1	401847-2	Handle - Door	1
2	413876-G1	Door Assy. - Oven	1
3	404549-4	Post - Door (L.H.)	1
4	404549-3	Post - Door (R.H.)	1
5	PB-4-73	Plug Button	2
6	SC-120-22	Mach. Screw $\frac{3}{8}$ -16 x $1\frac{1}{4}$ Rd. Hd.	2



DOOR MECHANISM — OVEN

DOOR MECHANISM - OVEN

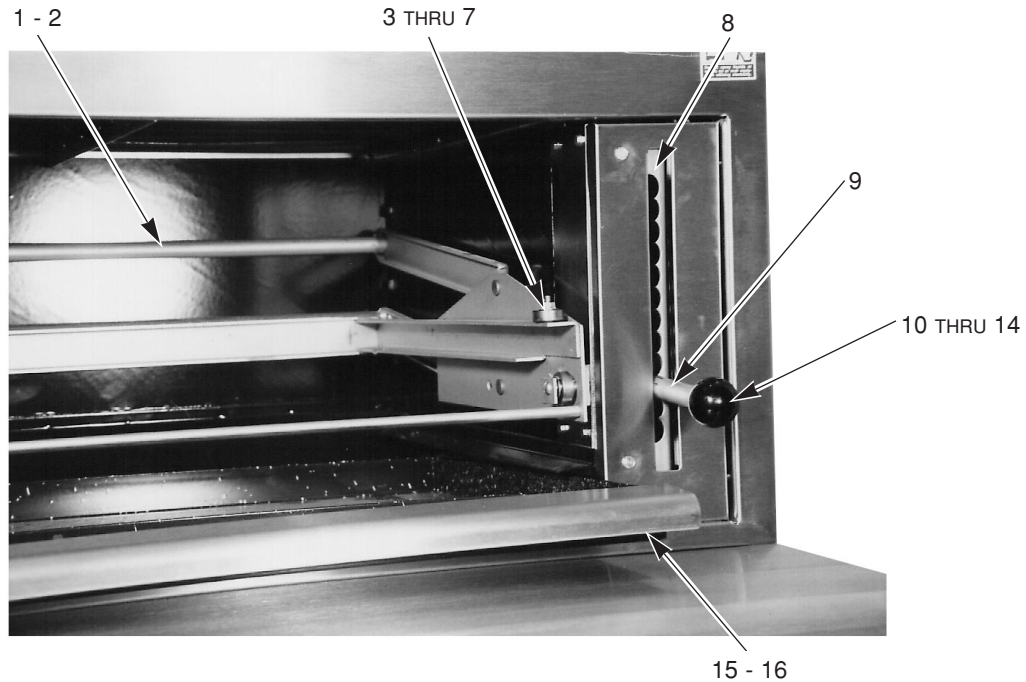
ILLUS. PL-40408	PART NO.	NAME OF PART	AMT.
1	410110-1	Anchor - Spring	1
2	417865-1	Turnbuckle (36")	1
3	405618-1	Hook - Oven Door	1
4	SC-90-1	Bolt - Shoulder 1/2-13 x 2 Hex Hd.	1
5	408895-G1	Crank Support Assy.	1
6	409240-2	Spacer - 3/4 Pipe x 7/16 Lg.	1
7	404629-1	Bearing - Hinge Pin	1
8	408896-1	Support - Crank	2
9	410111-1	Crank - Bell	1
10	406363-1	Spring - Door (Long)	1
11	408895-G1	Crank Support Assy.	1
12	409240-1	Spacer - 3/4 x 5/16 Lg.	1
13	404629-1	Bearing - Hinge Pin	1
14	408896-1	Support - Crank	1
15	410090-G1	Radius Bar Assy.	1
16	410089-1	Arm - Door Control	1
17	SC-90-1	Bolt - Shoulder 1/2-13 x 2 Hex Hd.	1
18	PC-3-36	Cotter Pin 3/32 x 1 Lg.	1
19	417860-1	Bolt - Shoulder 3/8-16 x 3/4 Hex Hd.	1
20	417862-1	Pin - Door Hinge	1
21	410114-1	Cover - Bottom Terminal	1
22	410113-1	Cover - Terminals (Top Oven Heat Elements)	1
	412887-G1	Door Frame Assy.	1



PL-40409-1

BROILER GRID & DRIP SHIELD

ILLUS. PL-40409	PART NO.	NAME OF PART	AMT.
1	406974-G1	Grid Assy.	1
2	404647-2	Handle	1
3	410443-1	Retainer - Drip Shield	1
4	SC-120-4	Mach. Screw 10-24 x 1 Truss Hd.	2
5	408765-4	Spacer	2
6	NS-47-70	Lock Nut 10-24 Light Flexloc	2
7	404549-3	Post - Door (R.H.)	1
8	404549-4	Post - Door (L.H.)	1
9	407643-1	Drip Shield	1
10	405655-1	Ball Bearing (Grid Carriage)	4



PL-40410-1

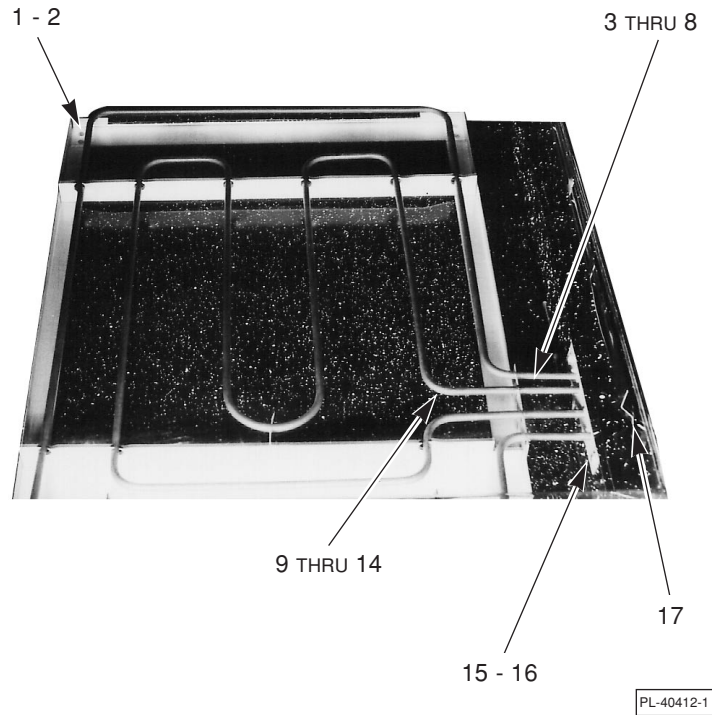
CARRIAGE & LIFT UNIT (BROILER)

ILLUS. PL-40410	PART NO.	NAME OF PART	AMT.
1	406966-G1	Carriage & Lift Mechanism (Incls.items 2 thru 7)	1
2	417866	Spring - Carriage	1
3	405655-1	Ball Bearing (Grid Carriage)	4
4	407488-1	Pin - Bearing	2
5	417869-1	Spacer	2
6	WS-3-3	Washer	4
7	PC-3-36	Cotter Pin 3/32 x 1 Lg.	2
8	407619-1	Ratchet Stop	1
9	406046-1	Sleeve - Handle	1
10	414819-1	Red Plastic Ball Handle	1
11	406056-2	Adapter - Ball Handle	1
12	407636-G1	Push Rod Assy.	1
13	417810-2	Spring - Compression	1
14	NS-13-22	Full Nut 3/8-16 Hex	2
15	406990-G1	Grease Collector	1
16	407006-1	Handle - Grease Collector	1



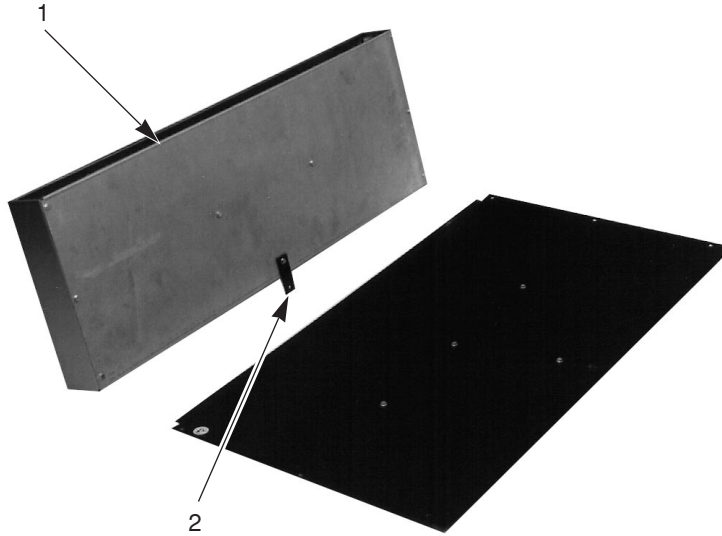
ELECTRIC HEAT ELEMENTS (BROILER)

ILLUS. PL-40411	PART NO.	NAME OF PART	AMT.
1	407012-4	Electric Heat Element 208 V.	4
2	407012-5	Electric Heat Element 240 V.	4
3	407012-6	Electric Heat Element 480 V.	4
4	410465-1	Retainer - Heating Element	3
5	407930-G1	Heat Shield Assy.	1



ELECTRIC HEAT ELEMENTS (OVEN)

ILLUS. PL-40412	PART NO.	NAME OF PART	AMT.
1	420371-G3	Frame Assy. - Top Elements	1
2	420371-G4	Frame Assy. - Bottom Elements	1
3	417823-1	Element Assy. - Outer Top (208 V.)	1
4	417823-2	Element Assy. - Outer Top (240 V.)	1
5	417823-3	Element Assy. - Outer Top (480 V.)	1
6	417823-5	Element - Outer Bottom (208 V.)	1
7	417823-6	Element - Outer Bottom (240 V.)	1
8	417823-7	Element - Outer Bottom (480 V.)	1
9	417820-1	Element Assy. - Inner Top (208 V.)	1
10	417820-2	Element Assy. - Inner Top (240 V.)	1
11	417820-3	Element Assy. - Inner Top (480 V.)	1
12	417820-5	Element - Inner Bottom (208 V.)	1
13	417820-6	Element - Inner Bottom (240 V.)	1
14	417820-7	Element - Inner Bottom (480 V.)	1
15	412708-1	Spacer - Division Side	3
16	412707-2	Spacer - Oven Side	3
17	417157-1	Protector - Thermostat Bulb	1
	420358-G1	Element Assy. - Top 208 V.(Incls.items 1, 3 & 9)	1
	420358-G2	Element Assy. - Top 240 V.(Incls.items 1, 4 & 10)	1
	420358-G3	Element Assy. - Top 480 V.(Incls.items 1, 5 & 11)	1
	420358-G4	Element Assy. - Bottom 208 V.(Incls.items 2, 6 & 12)	1
	420358-G5	Element Assy. - Bottom 240 V.(Incls.items 2, 7 & 13)	1
	420358-G6	Element Assy. - Bottom 480 V.(Incls.items 2, 8 & 14)	1



PL-40413-1

MISCELLANEOUS

ILLUS. PL-40413	PART NO.	NAME OF PART	AMT.
1	407213-1	Flue Riser	1
2	407449-1	Strap - Back Attaching	AR
	409840-6	Leg (SST)	4
	410118-1	Caster W/O Brake	2
	410118-2	Caster W/Brake	2