



## Models

**DKVLT-050**

**DKVLT-075**

**DKVLT-100**

**DKVLT-150**

**DKVLT-200**

**DKVLT-299**



**WALL MOUNTED  
CONDENSING GAS BOILER**

**PARTS, KITS &  
OPTIONAL ACCESSORIES**

### Ordering Instructions

Order Parts through your nearest supplier.

When ordering parts, obtain Model Number and Serial Number from data plate on your boiler.

Include following information when ordering.

Part Number \_\_\_\_\_

Part Description \_\_\_\_\_

Boiler Model Number \_\_\_\_\_

Boiler Serial Number \_\_\_\_\_



## TABLE OF CONTENTS

Additional Heating Device Kit .....	23
Blower Kit - 050/075/100/150/200 MBH.....	12
Blower Kit - 299 MBH.....	13
Burner Inspection Kit .....	6
Burner Replacement Kits .....	6
Concentric Vent Kits.....	23
Condensate Collector Kit 050/075/100 .....	16
Condensate Collector Kit 150/200.....	17
Condensate Trap Kits .....	15
Control Module Kit.....	18
Flame Sensor Kits.....	9
Flexible Gas Line Kits .....	14
Floor Stand Kit .....	22
Gas Conversion Kits.....	21
Gas Valve Kit - 299 MBH.....	11
Gas Valve Kits - 050/075/100/150/200 MBH .....	10
Heat Exchanger Kits.....	4
Heat Exchanger Kits.....	5
Heat Exchanger Surface Temperature Switch Kits.....	20
High Altitude Kit .....	22
Igniter Kits .....	8
Jacket Kits.....	3
Misc. Replacement Parts.....	24
Misc. Replacement Parts - Conti.....	25
Multi Boiler Sensor Kit .....	23
User Interface Kit .....	18
Wire Harness Kits .....	19
<b>QUICK INDEX .....</b>	<b>26</b>

## JACKET KITS



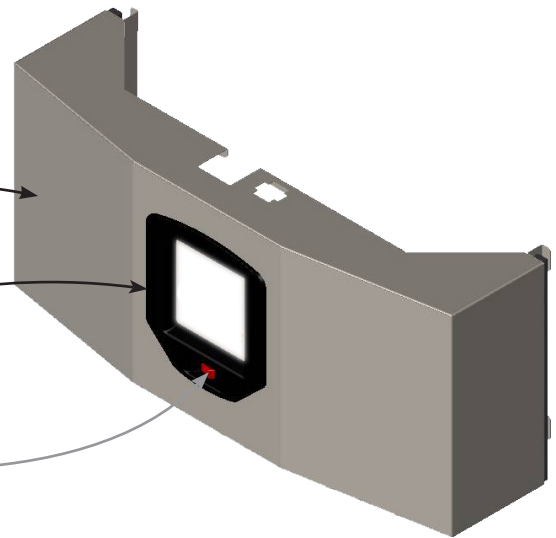
**A**

<b>050/075/100 Upper Jacket Kit # 550002309</b>			
Item	DESCRIPTION	PART #	QTY
A	Upper Jacket w/Gasket	-	1
<b>150/200 Upper Jacket Kit # 550002310</b>			
Item	DESCRIPTION	PART #	QTY
A	Upper Jacket w/Gasket	-	1
<b>299 Upper Jacket Kit # 550002822</b>			
Item	DESCRIPTION	PART #	QTY
A	Upper Jacket w/Gasket	-	1

**A**

**B**

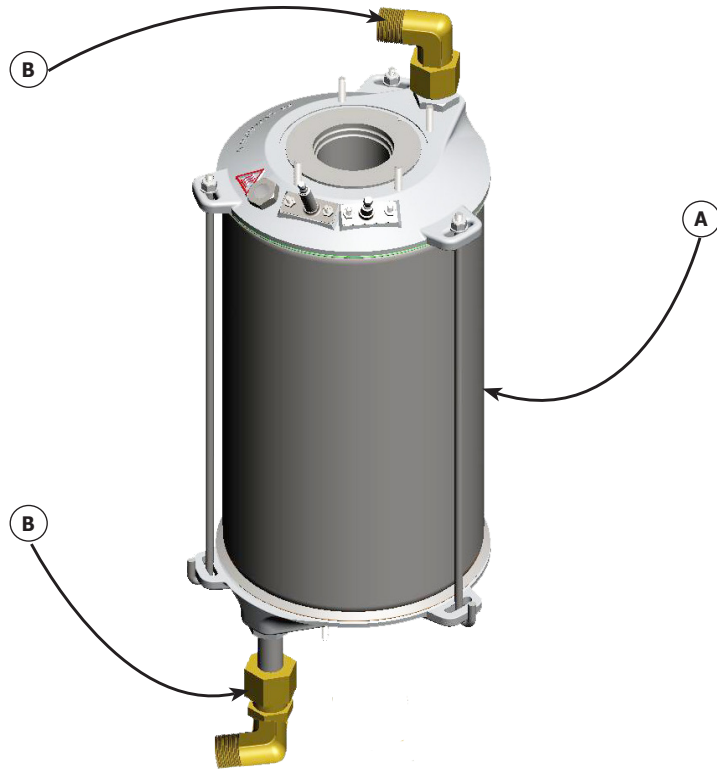
**C**



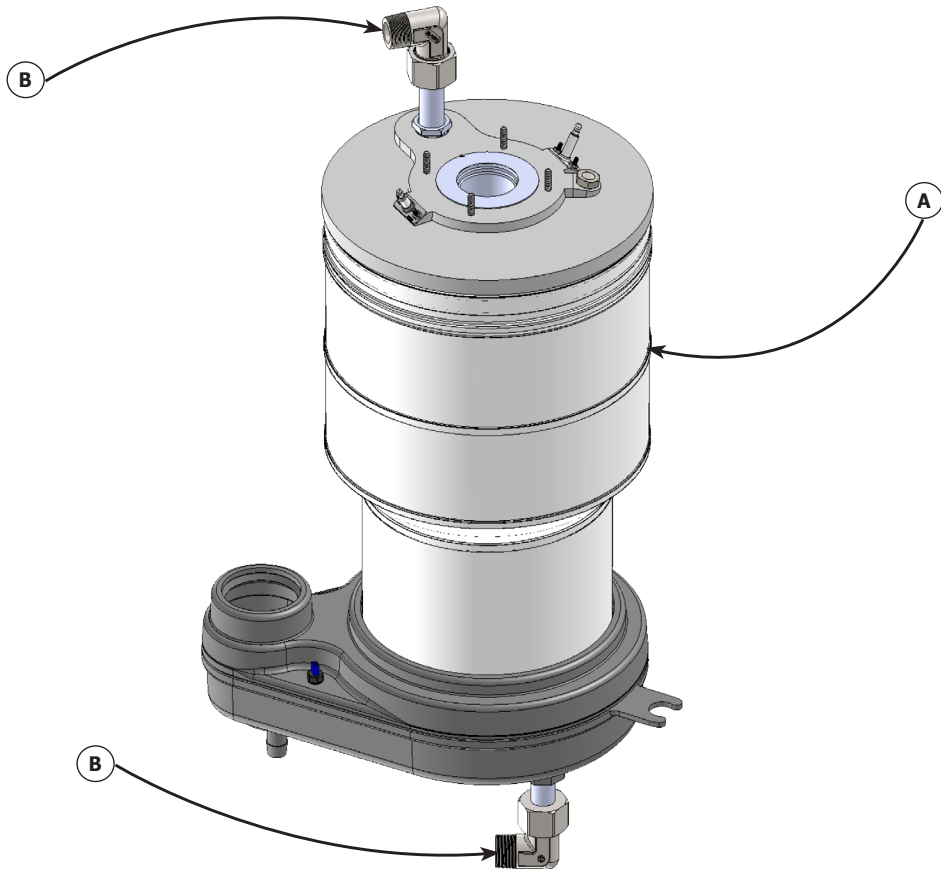
<b>050/075/100 Lower Jacket Kit # 550002313</b>				
Jacket Kit	Item	DESCRIPTION	PART #	QTY
550002313 includes all items listed	A	Lower Jacket Assembly w/gasket	-	1
	B	Plastic Bezel	108000182	1
	C	Rocker Switch 10A,250V,LRA91	1500012	1
<b>150/200 Lower Jacket Kit # 550002314</b>				
Jacket Kit	Item	DESCRIPTION	PART #	QTY
550002314 includes all items listed	A	Lower Jacket Assembly w/gasket	-	1
	B	Plastic Bezel	108000182	1
	C	Rocker Switch 10A,250V,LRA91	1500012	1
<b>299 Lower Jacket Kit # 550002823</b>				
Jacket Kit	Item	DESCRIPTION	PART #	QTY
550002823 includes all items listed	A	Lower Jacket Assembly w/gasket	-	1
	B	Plastic Bezel	108000182	1
	C	Rocker Switch 10A,250V,LRA91	1500012	1

## HEAT EXCHANGER KITS

Heat Exchanger 050, 075, 100, 150, 200 MBH



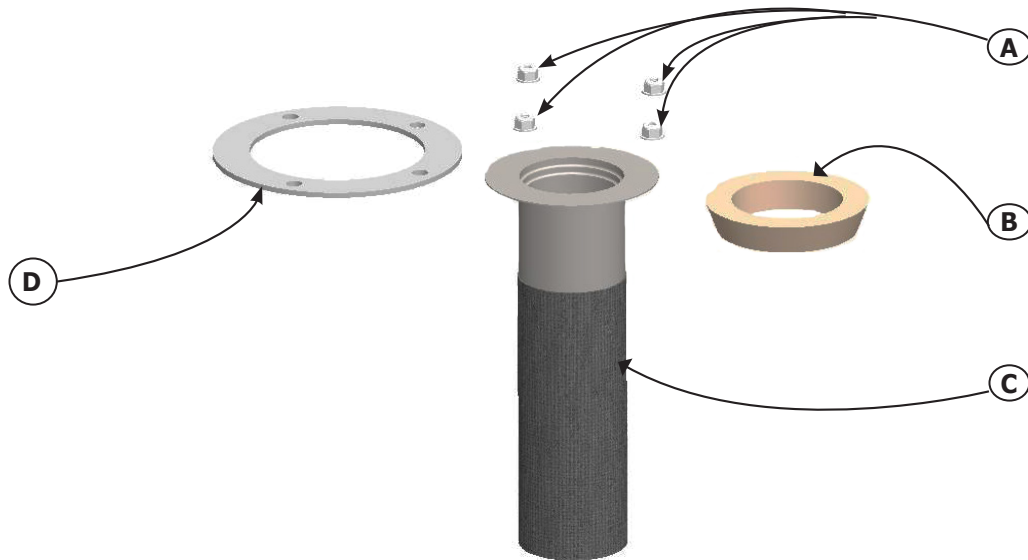
Heat Exchanger with Intergrated Flue Collector - 299 MBH



## HEAT EXCHANGER KITS

<b>050 Heat Exchanger Kit # 550002271</b>				
Heat Exchanger Kit #550002271 includes all items listed	ITEM	DESCRIPTION	PART #	QTY
	A	Heat Exchanger Module (includes: Igniter, Flame Sensor)	-	1
	B	Fitting, Compression 90°, 20 mm tube x 3/4 NPT	-	2
	*	Instructions	240008928	1
<b>075 Heat Exchanger Kit # 550002272</b>				
	A	Heat Exchanger Module (includes: Igniter, Flame Sensor)	-	1
	B	Fitting, Compression 90°, 20 mm tube x 3/4 NPT	-	2
	*	Instructions	240008928	1
<b>100 Heat Exchanger Kit # 550002273</b>				
	A	Heat Exchanger Module (includes: Igniter, Flame Sensor)	-	1
	B	Fitting, Compression 90°, 20 mm tube x 3/4 NPT	-	2
	*	Instructions	240008928	1
<b>150 Heat Exchanger Kit # 550002274</b>				
Heat Exchanger Kit #550002274 includes all items listed	ITEM	DESCRIPTION	PART #	QTY
	A	Heat Exchanger Module (includes: Igniter, Flame Sensor)	-	1
	B	Fitting, Compression 90°, 25 mm tube x 1 NPT	-	2
	*	Instructions	240008928	1
<b>200 Heat Exchanger Kit # 550002275</b>				
	A	Heat Exchanger Module (includes: Igniter, Flame Sensor)	-	1
	B	Fitting, Compression 90°, 25 mm tube x 1 NPT	-	2
	*	Instructions	240008928	1
<b>299 Heat Exchanger Kit # 550002808</b>				
	A	Heat Exchanger Module (includes: Heat Exchanger Coil, Top Cap, Igniter, Flame Sensor with Flue Collector Installed)	-	1
	B	Fitting, Compression 90°, 25 mm tube x 1 NPT	-	2
	*	Instructions	240010108	1
* Not Shown				

## BURNER REPLACEMENT KITS



### 50/075/100/150/200 Burner Inspection Kit # **550002280**

	ITEM	DESCRIPTION	PART #	QTY
Replacement Inspection Kit #550002280 includes all items listed	<b>A</b>	1/4-20 Nut	-	8
	<b>B</b>	Burner Sleeve, Refractory	-	1
	<b>D</b>	Gasket, Air/Fuel Inlet	-	1
	*	Fiber Gasket	-	1
	*	Igniter Gasket	-	1
	*	8-32 Hex Nut	-	4
	*	Instructions	240008931	1

### 299 Burner Inspection Kit # **550002818**

	ITEM	DESCRIPTION	PART #	QTY
Replacement Inspection Kit #550002818 includes all items listed	<b>A</b>	1/4-20 Nut	-	8
	<b>B</b>	Burner Sleeve, Refractory	-	1
	<b>D</b>	Gasket, Air/Fuel Inlet	-	1
	*	Fiber Gasket	-	1
	*	Igniter Gasket	-	1
	*	8-32 Hex Nut	-	4
	*	Instructions	240010107	1

\* Not Shown

### 050 Replacement Burner Kit # **550002276**

	ITEM	DESCRIPTION	PART #	QTY
Replacement Burner Kit #550002276 includes all items listed	<b>A</b>	1/4-20 Nut	-	4
	<b>B</b>	Burner Sleeve, Refractory	-	1
	<b>C</b>	Burner 50K BTU	-	1
	<b>D</b>	Fiber Gasket	-	1
	*	Igniter Gasket	-	1
	*	8-32 Hex Nut	-	2
	*	Instructions	240008933	1

## BURNER REPLACEMENT KITS

### Burner Replacement Kits - Conti.

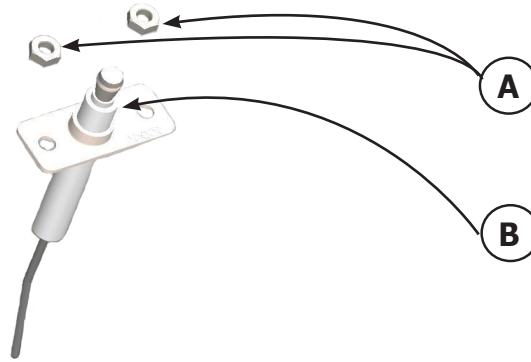
<b>075 Replacement Burner Kit # 550002277</b>				
Replacement Burner Kit #550002277 includes all items listed	<b>A</b>	1/4-20 Nut	-	4
	<b>B</b>	Burner Sleeve, Refractory	-	1
	<b>C</b>	Burner 75K BTU	-	1
	<b>D</b>	Fiber Gasket	-	1
	*	Igniter Gasket	-	1
	*	8-32 Hex Nut	-	2
	*	Instructions	240008933	1
<b>100 Replacement Burner Kit # 550002278</b>				
Replacement Burner Kit #550002278 includes all items listed	<b>A</b>	1/4-20 Nut	-	4
	<b>B</b>	Burner Sleeve, Refractory	-	1
	<b>C</b>	Burner 100K BTU	-	1
	<b>D</b>	Fiber Gasket	-	1
	*	Igniter Gasket	-	1
	*	8-32 Hex Nut	-	2
	*	Instructions	240008933	1
<b>150/200 Replacement Burner Kit # 550002279</b>				
Replacement Burner Kit #550002279 includes all items listed	<b>A</b>	1/4-20 Nut	-	4
	<b>B</b>	Burner Sleeve, Refractory	-	1
	<b>C</b>	Burner 150K BTU	-	1
	<b>D</b>	Fiber Gasket	-	1
	*	Igniter Gasket	-	1
	*	8-32 Hex Nut	-	2
	*	Instructions	240008933	1
<b>299 Replacement Burner Kit # 550002809</b>				
Replacement Burner Kit #550002809 includes all items listed	<b>A</b>	1/4-20 Nut	-	4
	<b>B</b>	Burner Sleeve, Refractory 299 MBH	-	1
	<b>C</b>	Burner 299K BTU	-	1
	<b>D</b>	Fiber Gasket	-	1
	*	Igniter Gasket	-	1
	*	8-32 Hex Nut	-	2
	*	Instructions	240010106	1

## IGNITER KITS



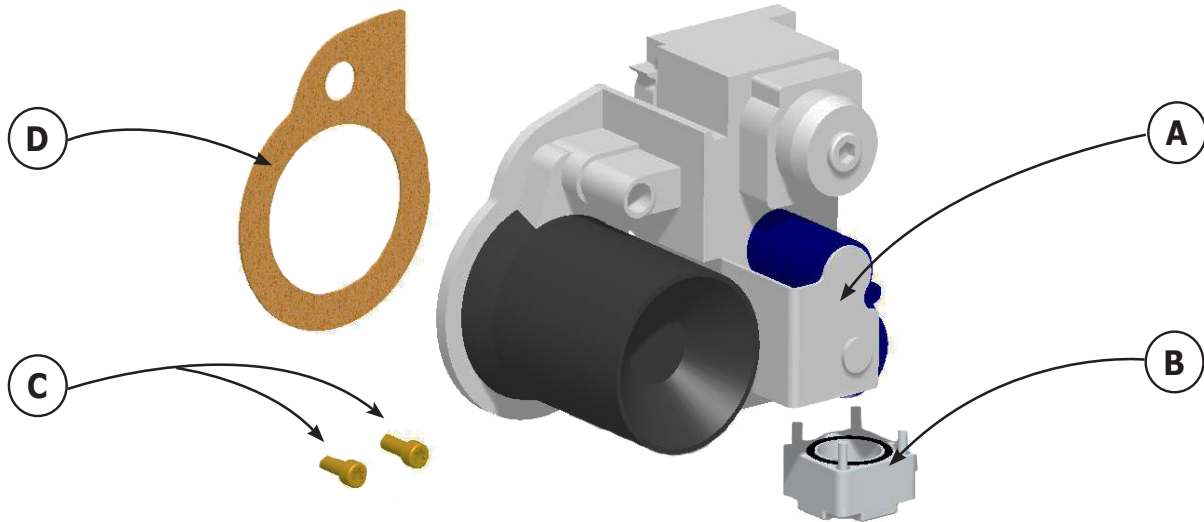
<b>050/075/100 Igniter Kit # 550002190</b>				
	ITEM	DESCRIPTION	PART #	QTY
Igniter Kit #550002190 includes all items listed	A	8-32, Hex Nut	-	2
	B	Igniter	-	1
	C	Igniter Gasket	-	1
	*	Instructions	240008592	1
<b>150/200/299 Igniter Kit # 550002282</b>				
	ITEM	DESCRIPTION	PART #	QTY
Igniter Kit #550002282 includes all items listed	A	8-32 Hex Nut	-	2
	B	Igniter	-	1
	C	Igniter Gasket	-	1
	*	Instructions	240008592	1
* Not Shown				

## FLAME SENSOR KITS



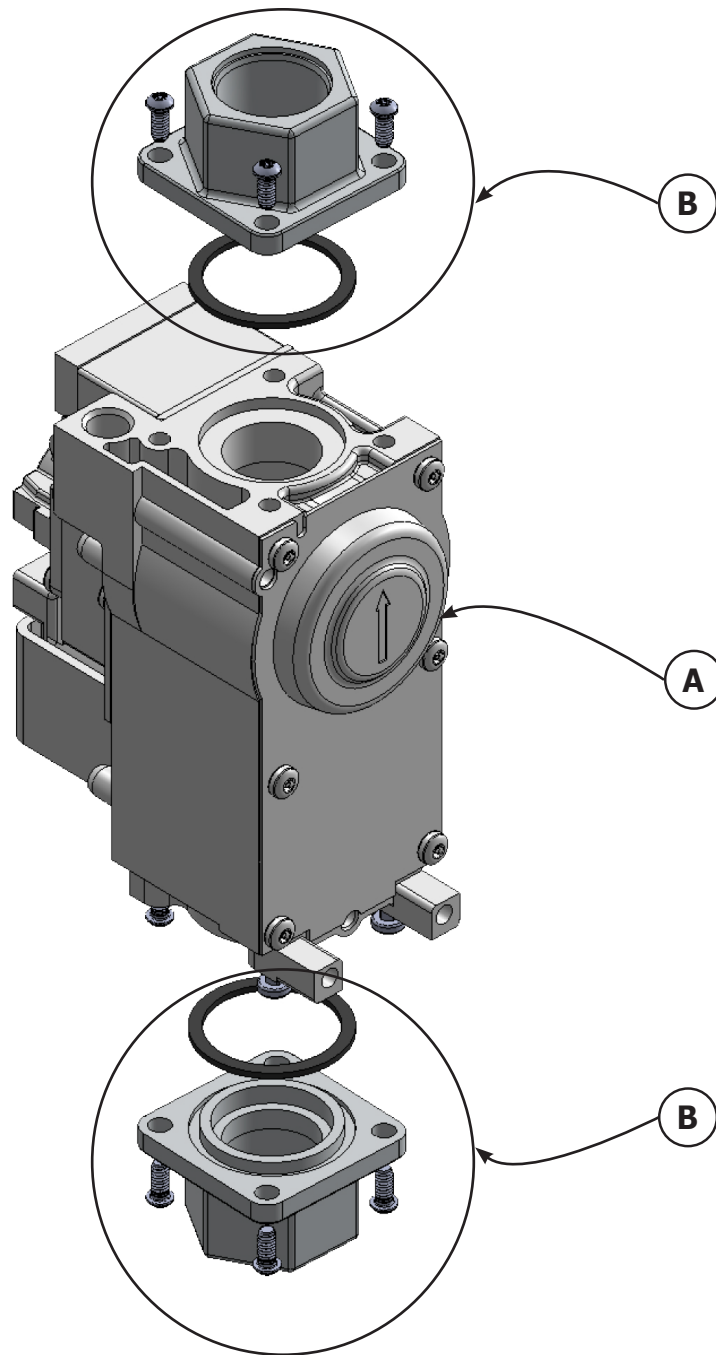
<b>050/075/100 Flame Sensor Kit #550002283</b>				
Flame Rod Kit #550002283 includes all items listed	ITEM	DESCRIPTION	PART #	QTY
	A	8-32 Hex Nut	-	2
	B	Sensor Flame	-	1
	*	Instructions	<a href="#">240008593</a>	1
<b>150/200 Flame Sensor Kit #550002284</b>				
Flame Rod Kit #550002284 includes all items listed	ITEM	DESCRIPTION	PART #	QTY
	A	8-32 Hex Nut	-	2
	B	Sensor Flame	-	1
	*	Instructions	<a href="#">240008593</a>	1
<b>299 Flame Sensor Kit #550002810</b>				
Flame Rod Kit #550002810 includes all items listed	ITEM	DESCRIPTION	PART #	QTY
	A	8-32 Hex Nut	-	2
	B	Sensor Flame 299 MBH	-	1
	*	Instructions	<a href="#">240008593</a>	1
* Not Shown				

## GAS VALVE KITS - 050/075/100/150/200 MBH



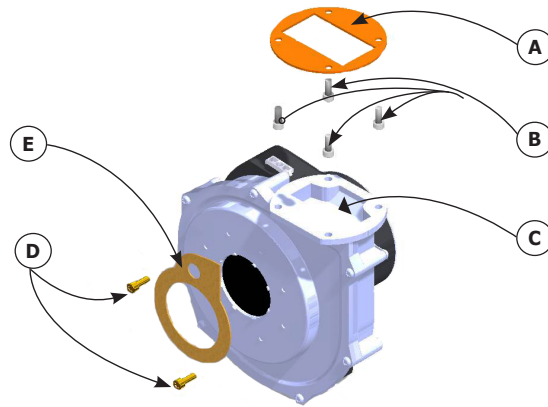
<b>050 Gas Valve Kit # 550002329</b>				
Gas Valve Kit #550002329 includes all items listed	A	Gas Valve, 050, VK4115V, Venturi included	-	1
	B	Gas Valve Flange Kit	1235008	1
	C	Screw, T25 Torx	-	2
	D	Gasket, Cork	1250021	1
	*	Instructions	240008939	1
<b>075 Gas Valve Kit # 550002285</b>				
Gas Valve Kit #550002285 includes all items listed	A	Gas Valve, 075, VK4115V, Venturi included	-	1
	B	Gas Valve Flange Kit	1235008	1
	C	Screw, T25 Torx	-	2
	D	Gasket, Cork	1250021	1
	*	Instructions	240008939	1
<b>100 Gas Valve Kit # 550002286</b>				
Gas Valve Kit #550002286 includes all items listed	A	Gas Valve, 100, VK4115V, Venturi included	-	1
	B	Gas Valve Flange Kit	1235008	1
	C	Screw, T25 Torx	-	2
	D	Gasket, Cork	1250021	1
	*	Instructions	240008939	1
<b>150 Gas Valve Kit # 550002287</b>				
Gas Valve Kit #550002287 includes all items listed	A	Gas Valve, 150, VK4115F, Venturi included	-	1
	B	Gas Valve Flange Kit	1235008	1
	C	Screw, T25 Torx	-	2
	D	Gasket, Cork	1250021	1
	*	Instructions	240008939	1
<b>200 Gas Valve Kit # 550002288</b>				
Gas Valve Kit #550002288 includes all items listed	A	Gas Valve, 200, VK4115F, Venturi included	-	1
	B	Gas Valve Flange Kit	1235008	1
	C	Screw, T25 Torx	-	2
	D	Gasket, Cork	1250021	1
	*	Instructions	240008939	1
* Not Shown				

## GAS VALVE KIT - 299 MBH



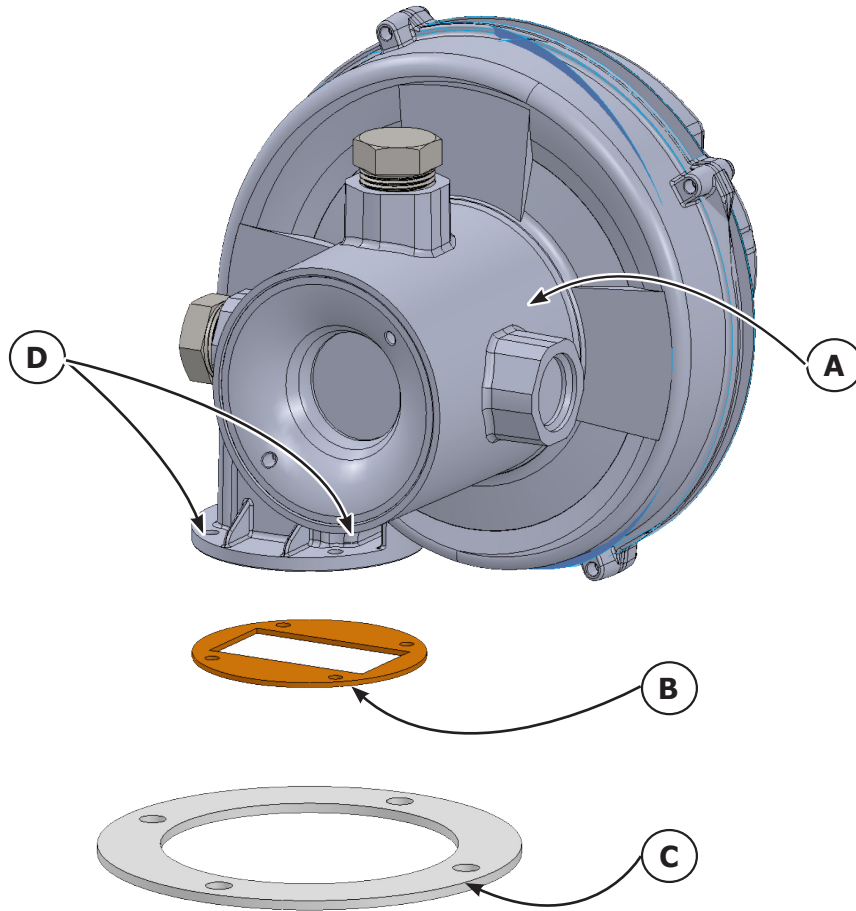
<b>299 Gas Valve Kit # 550002811</b>				
Gas Valve Kit #550002811 includes all items listed	A	Gas Valve, 299, VR4615	-	1
	B	Gas Valve Flange Kit	-	1
	*	Instructions	240010104	1
* Not Shown				

## BLOWER KIT - 050/075/100/150/200 MBH



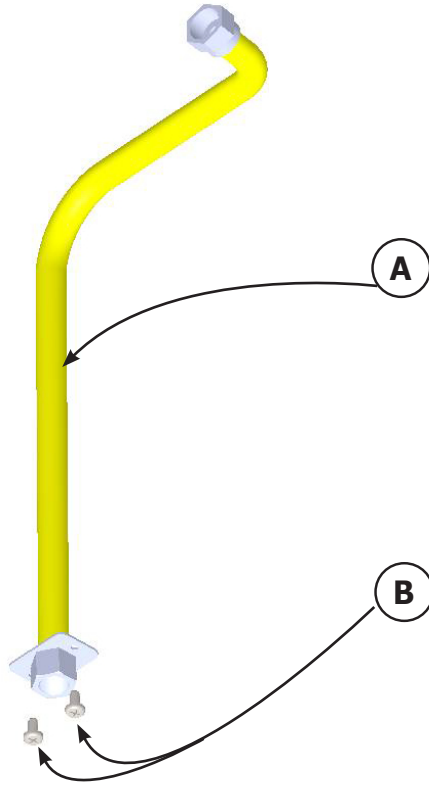
<b>050/075/100 Blower Kit # 550002291</b>				
	ITEM	DESCRIPTION	PART #	QTY
Blower Motor Kit #550002291 includes all items listed	A	Red Gasket, Fan/Transition Piece	1250007	1
	B	Screw, 10-24 X 1/2" Socket Head Cap	-	4
	C	Blower, 120 V 50/60 HZ, RG130/0800-3612	-	1
	D	Screw, T25 Torx	-	4
	E	Gasket, Cork	1250021	1
	*	1/4-20 Hex Flange Nut	-	4
	*	Instructions	240008943	1
	<b>150 Blower Kit # 550002292</b>			
Blower Motor Kit #550002292 includes all items listed	A	Red Gasket, Fan/Transition Piece	1250007	1
	B	Screw, 10-24 X 1/2" Socket Head Cap	-	4
	C	Blower, 120 V 50/60 HZ, RG148/1200-3612	-	1
	D	Screw, T25 Torx	-	4
	E	Gasket, Cork	1250021	1
	*	1/4-20 Hex Flange Nut	-	4
	*	Instructions	240008943	1
	<b>200 Blower Kit # 550002293</b>			
Blower Motor Kit #550002293 includes all items listed	A	Red Gasket, Fan/Transition Piece	1250007	1
	B	Screw, 10-24 X 1/2" SS Socket Head Cap	-	4
	C	Blower, 120 V 50/60 HZ, RG148/1200-3633	-	1
	D	Screw, T25 Torx	-	4
	E	Gasket, Cork	1250021	1
	*	1/4-20 Hex Flange Nut	-	4
	*	Instructions	240008943	1
	<b>200 Blower Kit # 550003058 - High Altitude</b>			
Blower Motor Kit #550003058 includes all items listed	A	Red Gasket, Fan/Transition Piece	1250007	1
	B	Screw, 10-24 X 1/2" SS Socket Head Cap	-	4
	C	Blower, 120 V 50/60 HZ, 130 W RG148/1200-3633	-	1
	D	Screw, T25 Torx	-	4
	E	Gasket, Cork	1250021	1
	*	1/4-20 Hex Flange Nut	-	4
	*	Instructions	240008943	1
	* Not Shown			

## BLOWER KIT - 299 MBH



<b>299 Blower Kit # 550002812</b>				
	ITEM	DESCRIPTION	PART #	QTY
Blower Motor Kit #550002812 includes all items listed	A	Blower, 120 V 50/60 HZ, NRG137, Venturi Integrated		
	B	Red Gasket, Fan/Transition Piece	1250007	1
	C	Fibert Gasket	240009969	1
	D	¼-20 Hex Flange Nut	-	4
	*	Instructions	240010105	1

## FLEXIBLE GAS LINE KITS



### 050/075/100 Flexible Gas Line Kit # 550002289

Flexible Gas Line Kit #550002289 includes all items listed	ITEM	DESCRIPTION	PART #	QTY
	A	Flexible Gas Line 23½"	-	1
	B	Screw, 12-24x1/2 Type F	-	2
	*	Instructions	240008941	1

### 150/200 Flexible Gas Line Kit # 550002290

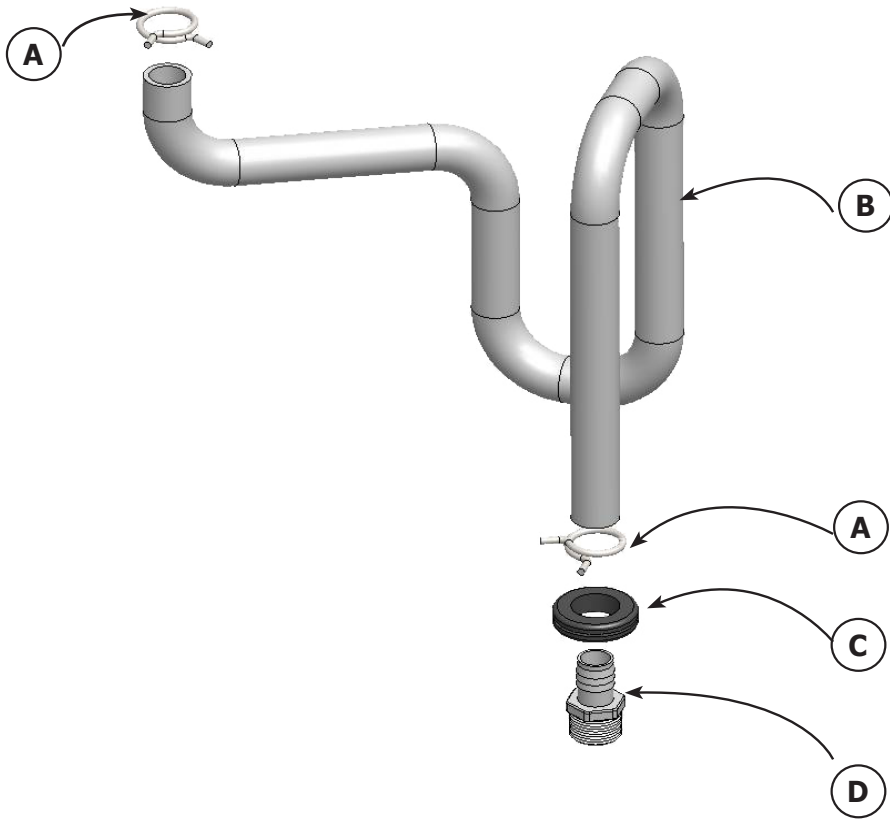
Flexible Gas Line Kit #550002290 includes all items listed	A	Flexible Gas Line 28"	-	1
	B	Screw, 12-24x1/2 Type F	-	2
	*	Instructions	240008941	1

### 299 Flexible Gas Line Kit # 550002813

Flexible Gas Line Kit #550002813 includes all items listed	A	Flexible Gas Line 15"	-	1
	B	Screw, 12-24x1/2 Type F	-	2
	*	Instructions	240008941	1

\* Not Shown

## CONDENSATE TRAP KITS



### 050/075/100 Condensate Trap Kit # 550002296

	ITEM	DESCRIPTION	PART #	QTY
Condensate Trap Kit #550002296 includes all items listed	A	Collet Clip, 1-1/8"	240008406	2
	B	Condensate Trap	-	1
	C	Grommet, Heyco 1" ID x 1.75" OD	-	1
	D	Coupling, Barbed 3/4"	-	1
	*	Instructions	240008948	1

### 150/200 Condensate Trap Kit #550002297

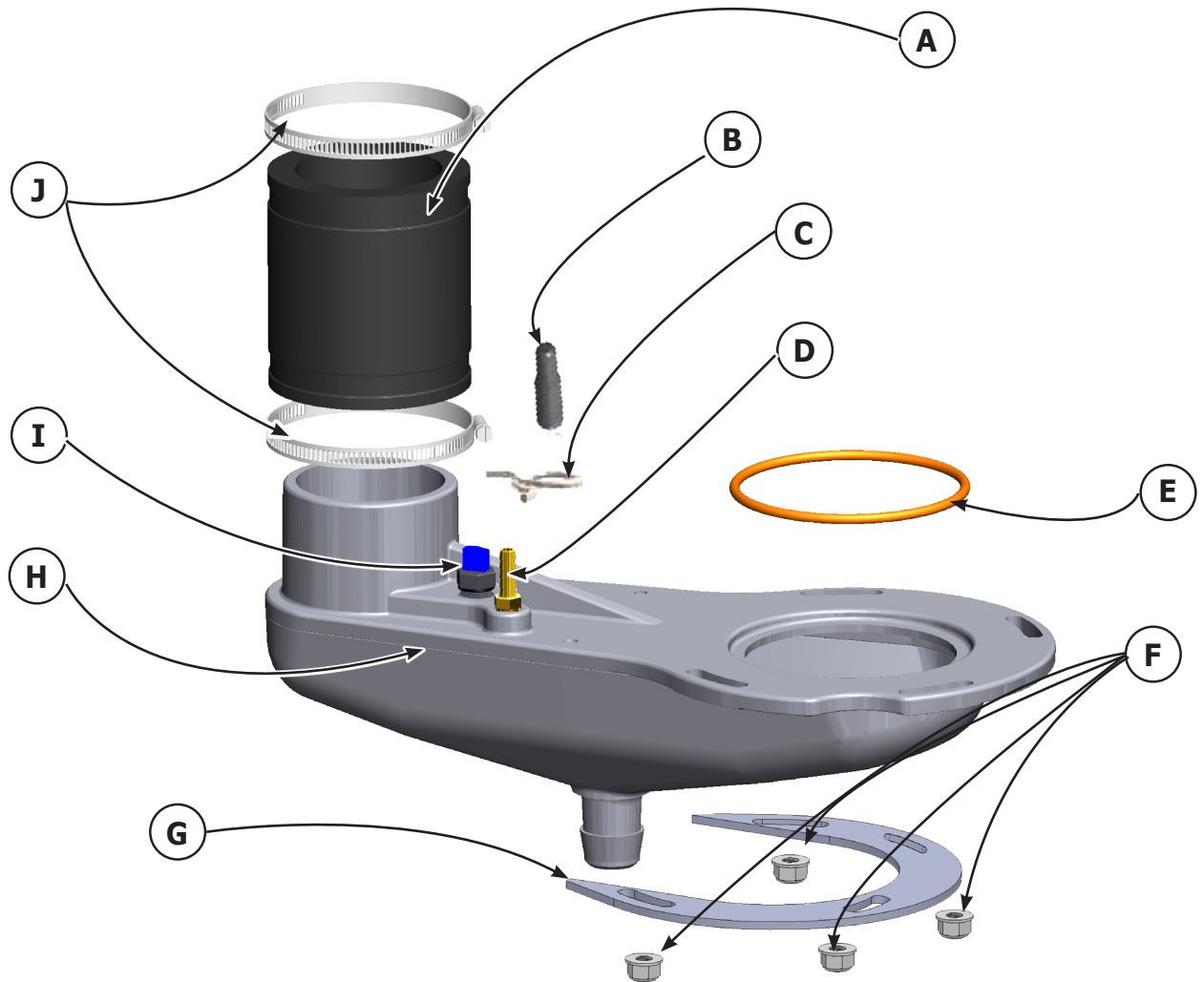
Condensate Trap Kit #550002297 includes all items listed	A	Collet Clip, 1-1/8"	240008406	2
	B	Condensate Trap	-	1
	C	Grommet, Heyco 1" ID x 1.75" OD	-	1
	D	Coupling, Barbed 3/4"	-	1
	*	Instructions	240008948	1

### 299 Condensate Trap Kit #550002814

Condensate Trap Kit #55000xxxx includes all items listed	A	Collet Clip, 1-1/8"	240008406	2
	B	Condensate Trap	-	1
	C	Grommet, Heyco 1" ID x 1.75" OD	-	1
	D	Coupling, Barbed 3/4"	-	1
	*	Instructions	240008948	1

\* Not Shown

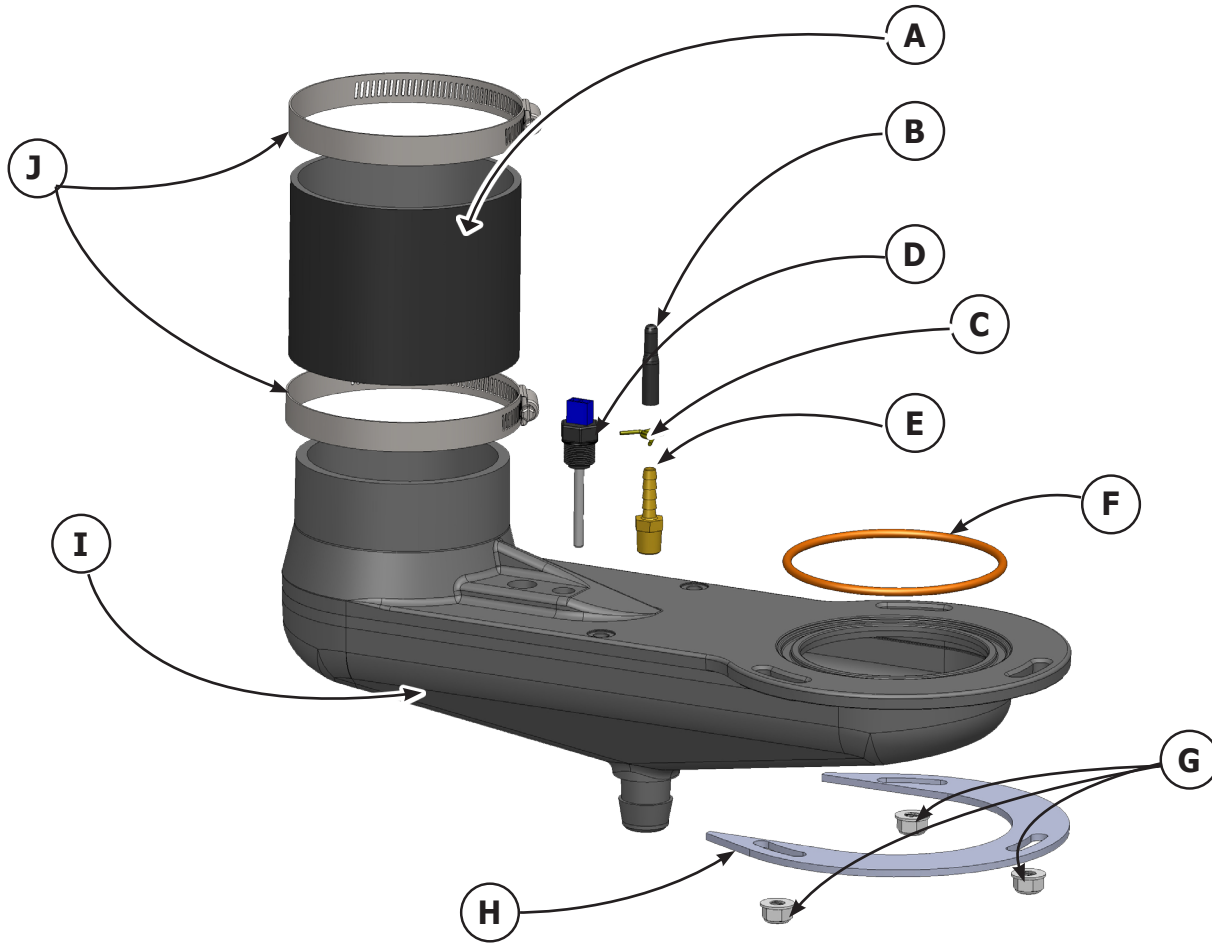
## CONDENSATE COLLECTOR KIT 050/075/100



<b>050/075/100 Condensate Collector Kit # 550002294</b>				
	ITEM	DESCRIPTION	PART #	QTY
Condensate Collector Kit #550002294 includes all items listed	A	Flexible Coupling	-	1
	B	Cap black vinyl 3/16"	1230006	1
	C	Clamp, Spring Tension	1110001	1
	D	Hose Barb	1230010	1
	E	O-Ring for Condensate Collector	240008261	1
	F	1/4-20 Hex Flange Nut	-	4
	G	Flue Collector Bracket	109008777	1
	H	Condensate Collector Plastic	-	1
	I	Sensor, Vent Temperature	240008227	1
	J	Hose Clamp	-	2
	*	Instructions	240008946	1

\* Not Shown

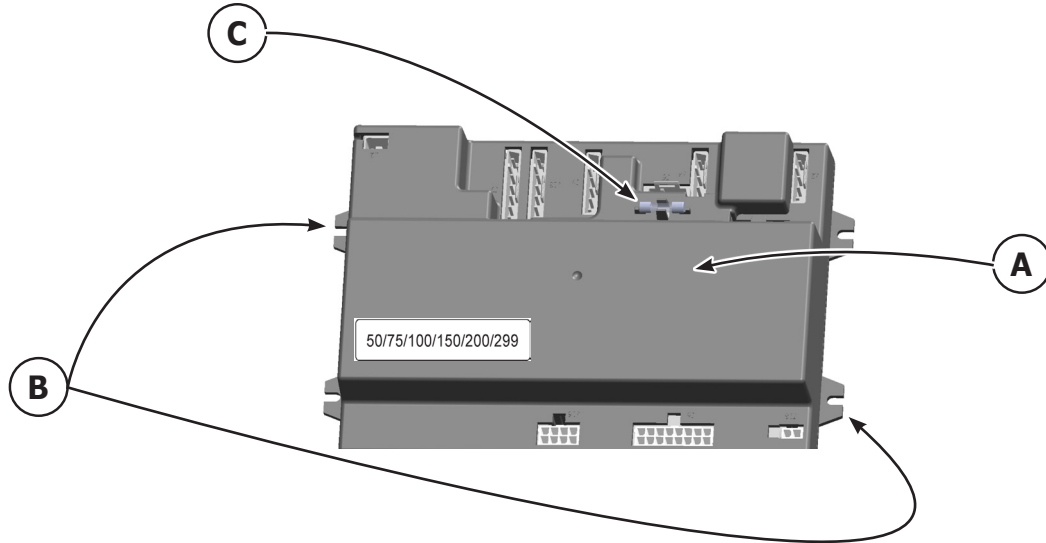
## CONDENSATE COLLECTOR KIT 150/200



<b>150/200 Condensate Collector Kit # 550002295</b>				
	ITEM	DESCRIPTION	PART #	QTY
Condensate Collector Kit #550002295 includes all items listed	A	Flexible Coupling	-	1
	B	Cap black vinyl 3/16"	1230006	1
	C	Clamp, Spring Tension	1110001	1
	D	Sensor, Vent Temperature	240008227	1
	E	Hose Barb	1230010	1
	F	O-Ring for Condensate Collector	240008699	1
	G	1/4-20 Hex Flange Nut	-	3
	H	Flue Collector Bracket	109008776	1
	I	Condensate Collector Plastic	-	1
	J	Hose Clamp	-	2
	*	Instructions	240008946	1
* Not Shown				

**NOTE: 299 CONDENSATE COLLECTOR SOLD WITH HEAT EXCHANGER (SEE PAGES 4 & 5)**

## CONTROL MODULE KIT



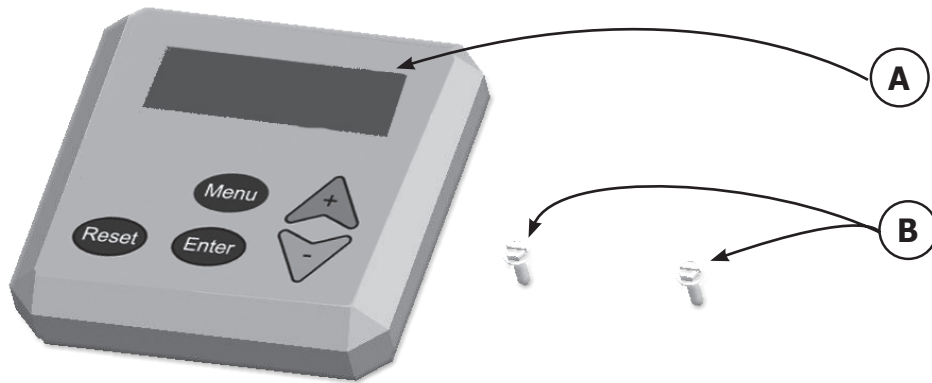
### 050/075/100/150/200/299 Control Module Kit # 550002583

	ITEM	DESCRIPTION	PART #	QTY
Control Board Kit #550002298 includes all items listed	A	Control Module	-	1
	B	Screw, 8-32x3/8, HWH, Slot Self Tapping	-	4
	C	Fuse, 3.15A ac, 250V, Slo-Blo Glass 5x20mm (Additional fuse is included with control module on Boiler)	240008665	1
	*	Instructions	240009314	1

\* Not Shown

**NOTE: IF BOILER HAS BEEN CONVERTED TO HIGH ALTITUDE - REPLACE EXISTING CONTROL WITH HIGH ALTITUDE KIT ONLY. SEE PAGE 25.**

## USER INTERFACE KIT



### 050/075/100/150/200/299 User Interface Kit # 550002299

	ITEM	DESCRIPTION	PART #	QTY
User Interface Kit #550002299 includes all items listed	A	User Interface Control	-	1
	B	Screw, 8-32 x 1/2" Type B	-	2
	*	Instructions	240008930	1

\* Not Shown

## WIRE HARNESS KITS

<b>050/075/100 Wire Harness Kit #550002301</b>			
	DESCRIPTION	PART #	QTY
Wire Harness Kit #550002301 includes all items listed	Main Boiler 120V Wiring Assembly Harness to High Voltage Terminal Block 50/075/100	-	1
	Wire Harness, Lower Jacket	-	1
	Universal Bushing 7/8"OD, Heyco 2119	-	1
	Screw, 6x3/8, Type B HPH, SZN	-	2
	Screw, 8-32x5/16, Self Tapping, Ground, Green	-	1
	Instructions	240008954	1
<b>150/200 Wire Harness Kit #550002316</b>			
	DESCRIPTION	PART #	QTY
Wire Harness Kit #550002316 includes all items listed	Main Boiler 120V Wiring Assembly Harness to High Voltage Terminal Block 150/200	-	1
	Wire Harness, Lower Jacket	-	1
	Strain Relief on Pump, 1/2 NPT, Hub	-	1
	Screw, 6x3/8, Type B HPH, SZN	-	2
	Screw, 8-32x5/16, Self Tapping, Ground, Green	-	1
	Instructions	240008954	1
<b>150/200 Wire Harness Kit #550002836 w/ Pump Relay Terminals</b>			
Wire Harness Kit #550002836 includes all items listed	Main Boiler 120V Wiring Assembly Harness to High Voltage Terminal Block 150/200 With Pump Relay Terminals	-	1
	Wire Harness, Lower Jacket	-	1
	Strain Relief on Pump, 1/2 NPT, Hub	-	1
	Screw, 6x3/8, Type B HPH, SZN	-	2
	Screw, 8-32x5/16, Self Tapping, Ground, Green	-	1
	Instructions	240008954	1
<b>299 Wire Harness Kit #550002824</b>			
	DESCRIPTION	PART #	QTY
Wire Harness Kit #550002824 includes all items listed	Main Boiler 120V Wiring Assembly Harness to High Voltage Terminal Block 150/200	-	1
	Wire Harness, Lower Jacket	-	1
	Strain Relief on Pump, 1/2 NPT, Hub	-	1
	Screw, 6x3/8, Type B HPH, SZN	-	2
	Screw, 8-32x5/16, Self Tapping, Ground, Green	-	1
	Instructions	240008954	1

## HEAT EXCHANGER SURFACE TEMPERATURE SWITCH KITS

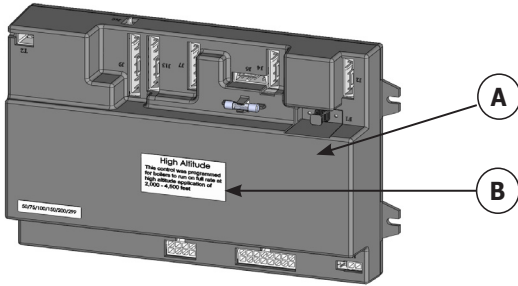
<b>Heat Exchanger Surface Temperature Switch 50/75/100 Kit #550002554</b>			
	DESCRIPTION	PART #	QTY
Wire Harness Kit #550002554 includes all items listed	Temperature Switch Bracket 50/75/100	-	1
	Temperature Switch L300-40F	240009508	1
	Wire Harness, Temperature Switch	-	1
	Instructions	240009568	1
<b>Heat Exchanger Surface Temperature Switch 150/200 Kit #550002555</b>			
Wire Harness Kit #550002555 includes all items listed	Temperature Switch Bracket 150/200	-	1
	Temperature Switch L300-40F	240009508	1
	Wire Harness, Temperature Switch	-	1
	Instructions	240009568	1
<b>Heat Exchanger Surface Temperature Switch 299 Kit #550002820</b>			
Wire Harness Kit #550002820 includes all items listed	Temperature Switch Bracket 299	-	1
	Temperature Switch L300-40F	240009508	1
	Wire Harness, Temperature Switch	-	1
	Instructions	240009568	1

## GAS CONVERSION KITS

<b>050 Gas Conversion Kit # 550002303</b>			
	DESCRIPTION	PART #	QTY
Conversion Kit #550002303 includes all items listed	Orifice, LP, 3.8mm	-	1
	Label, "Converted By"	-	2
	Label, "Nat to LP" conversion plate	-	1
	Label, "LP to Nat" conversion plate	-	1
	Instructions	240008957	1
<b>075 Gas Conversion Kit # 550002304</b>			
	DESCRIPTION	PART #	QTY
Conversion Kit #550002304 includes all items listed	Orifice, LP, 3.9mm	-	1
	Label, "Converted By"	-	2
	Label, "Nat to LP" conversion plate	-	1
	Label, "LP to Nat" conversion plate	-	1
	Instructions	240008957	1
<b>100 Gas Conversion Kit # 550002305</b>			
	DESCRIPTION	PART #	QTY
Conversion Kit #550002305 includes all items listed	Orifice, LP, 4.6mm	-	1
	Label, "Converted By"	-	2
	Label, "Nat to LP" conversion plate	-	1
	Label, "LP to Nat" conversion plate	-	1
	Instructions	240008957	1
<b>150 Gas Conversion Kit # 550002306</b>			
	DESCRIPTION	PART #	QTY
Conversion Kit #550002306 includes all items listed	Orifice, LP, 5.4mm	-	1
	Label, "Converted By"	-	2
	Label, "Nat to LP" conversion plate	-	1
	Label, "LP to Nat" conversion plate	-	1
	Instructions	240008957	1
<b>200 Gas Conversion Kit # 550002307</b>			
	DESCRIPTION	PART #	QTY
Conversion Kit #550002307 includes all items listed	Orifice, LP, 5.9mm	-	1
	Label, "Converted By"	-	2
	Label, "Nat to LP" conversion plate	-	1
	Label, "LP to Nat" conversion plate	-	1
	Instructions	240008957	1
<b>299 Gas Conversion Kit # 550002799</b>			
	DESCRIPTION	PART #	QTY
Conversion Kit #550002799 includes all items listed	Orifice, LP, 9.6mm	-	1
	Label, "Converted By"	-	2
	Label, "Nat to LP" conversion plate	-	1
	Label, "LP to Nat" conversion plate	-	1
	Instructions	240008957	1

## OPTIONAL ACCESSORIES

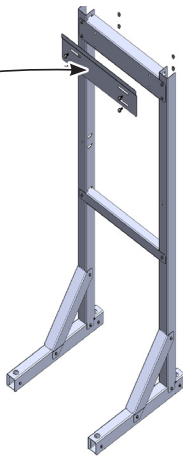
### High Altitude Kit



050/075/100/150/299 High Altitude Kit # 550002819				
ITEM	DESCRIPTION	PART #	QTY	
High Altitude Kit #550002819 includes all items listed	A	Control Module - High Altitude 2000 - 4500 ft.	-	1
	B	High Altitude label	-	1
	NOT SHOWN	Instructions, High Altitude	240010113	1

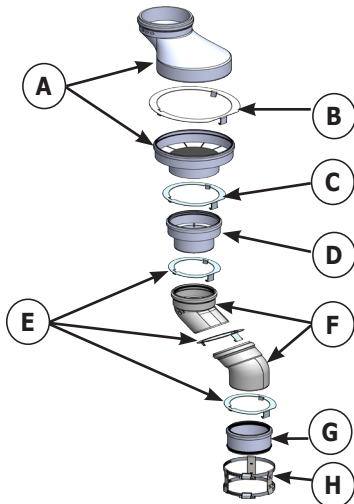
### Floor Stand Kit

WALL MOUNT BRACKET NOT INCLUDED WITH FLOOR STAND KIT



Floor Stand Kit # 240010266			
DESCRIPTION	PART #	QTY	
Floor Stand Kit #240010266 includes all items listed	Left Upright - not interchangeable	-	1
	Right Upright - not interchangeable	-	1
	Base Leg	-	2
	Brace	-	2
	Upper Cross Member	-	1
	Lower Cross Member	-	1
	Base Foot	-	4
	1/4 - 20 x 5/8 Serrated Hex Flange Head Bolt	-	26
	1/4 - 20 Serrated Hex Flange Head Nut	-	26
	5/16 - 18 x 3/4 Serrated Hex Head Bolt	-	4
	5/16 - 18 Serrated Flange Head Nut	-	4
	Instructions, Floor Stand	240010265	1

### Common Vent Flue Check Valve Kit



150/200/299 Common Vent Flue Check Valve Kit 240010299		
ITEM	DESCRIPTION	QTY
A	2 Piece Back Flow Valve	1
B	6" Locking Band	1
C	4" Locking Band	1
D	3" to 4" Increaser	1
E	3" Locking Band	3
F	3" 45° Elbow	2
G	3" Adapter for PVC Coupler	1
H	Adapter Connector	1
-	Instructions	1

## OPTIONAL ACCESSORIES

<b>050/075/100 Condensate Neutralizer Kit # 550003006</b>		
DESCRIPTION	PART #	QTY
Condensate Neutralizer 240010862 includes:		
Single Neutralizer Tube	-	1
3/4" Barbed Y	-	1
3/4" Union	-	2
10Ft 3/4" Hose	-	1
3/4" Hose Clamp	-	6
3/4" NPT to 3/4" Barb	-	3
Neutralizing Material	240010871	2.5 lbs
Base/Wall Mounting Clamp	-	2
Instructions	240010861	1

<b>200/299 Condensate Neutralizer Kit # 550003005</b>		
DESCRIPTION	PART #	QTY
Condensate Neutralizer 240010863 includes:		
Double Neutralizer Tube	-	2
3/4" Barbed Y	-	1
3/4" Union	-	2
10Ft 3/4" Hose	-	1
3/4" Hose Clamp	-	6
3/4" NPT to 3/4" Barb	-	3
Neutralizing Material	240010871	2.5 lbs
Base/Wall Mounting Clamp	-	2
Instructions	240010861	1

<b>Stainless Boiler Alarm Signal Output Kit #550002997</b>			
	Description	Part #	Qty
Alarm Signal Output Kit #550002997 includes all items listed	Alarm Output Wire Harness	240010829	1
	Kit Instructions	240010830	1




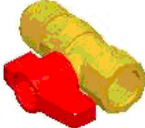
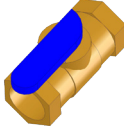






<b>Concentric Vent Kits</b>	
DESCRIPTION	PART #
2" Concentric Vent Kit <sup>(1)</sup>	<a href="#">29570</a>
3" Concentric Vent Kit <sup>(2)</sup>	<a href="#">29571</a>
<sup>(1)</sup> <b>2" For use with 050/075/100</b>	
<sup>(2)</sup> <b>3" For use with 075-299 only</b>	

<b>Multi Boiler Sensor Kit # 550002186</b>			
	DESCRIPTION	PART #	QTY
Multi Boiler Sensor Kit #550002186 includes all items listed	Sensor, 12K, NTC, 6x45MM	<a href="#">240008465</a>	1
	Well, 1/2 NPT Copper/Brass	<a href="#">240008466</a>	1
	Sensor Well Lock Clip	<a href="#">240008467</a>	1
	Instructions, Multi Boiler Sensor	240008959	1

<b>Additional Heating Device Connection Kit (ie. Solar, Wood, etc.) Kit # 550002875</b>			
	DESCRIPTION	PART #	QTY
Kit # 550002875 includes all items listed	AR822 Control	Z140C	2
	System Sensor	<a href="#">240008465</a>	1
	System Sensor Well	<a href="#">240008466</a>	1
	Well Clip	<a href="#">240008467</a>	1
	Kit Instructions	240010355	1

## MISC. REPLACEMENT PARTS

Replacement Parts		
	DESCRIPTION	PART #
	Igniter Cable 050/075/100/150/200	<a href="#">240008844</a>
	Ignitor Cable 299	<a href="#">240009888</a>
	Sight Glass	<a href="#">240008235</a>
	Pump, Grundfos UP15-42F (050/075/100)	240008246
	Pump, Grundfos UP26-99 (150/200)	240008701
	* Pump, Grundfos UPS26-150 FC (299)	240010188
	*Pump, Taco 1/2 HP, (299)	<a href="#">240009836</a>
	*Pump, B & G 1/2 HP, (299)	<a href="#">240009971</a>
	Boiler Drain Valve	<a href="#">240009323</a>
	LWCO, Hydrolevel Safeguard 1100 MINI, 24 VAC	<a href="#">240008250</a>
	LWCO, Taco 1100 (299)	<a href="#">240009838</a>
	High Temperature Supply Switch	<a href="#">240008290</a>

Replacement Parts		
	DESCRIPTION	PART #
	Sensor, Return Water (050/075/100)	<a href="#">240008226</a>
	Sensor, Return Water (150/200/299)	<a href="#">240008703</a>
	Sensor, Flue	<a href="#">240008227</a>
	Clamp, 1-1/8" Spring Tension for Condensate Trap	240008406
	Ball Valve 1/2" Female NPT x 5/8", FLR (Gas Shutoff valve) (050/075/100/150/200/299)	<a href="#">240008297</a>
	Ball Valve 3/4" Female (Gas Shutoff valve) (299)	<a href="#">14657001</a>
	***Safety Relief Valve (30 PSI) Conbraco 10-407-05	<a href="#">VR-001.01</a>
	Air Vent, Watts FV-4M1, 1/4 NPT	<a href="#">240008458</a>
	Wall Bracket Sizes 050/075/100	<a href="#">109008079</a>
	Wall Bracket Sizes 150/200/299	<a href="#">109008347</a>
	Cap Black Vinyl 3/16"	<a href="#">1230006</a>
	Clamp, Spring Tension for Black Vinyl Cap	<a href="#">1110001</a>

## MISC. REPLACEMENT PARTS - CONTI.

Replacement Parts		
	DESCRIPTION	PART #
	Temperature Switch L300-40F	240009508
	Sensor, Outdoor	240008225
	** Gauge, Temperature Pressure, 2" shank (0 ~ 75 psi)	1260006
	** Gauge, Temperature Pressure, 2" shank (0 ~ 200 psi)	GA00501
	Fuse, 3.15A AC, 250V, Slo-Blo Glass 5x20mm	240008665
	Relay, 120 VAC, 10 A	240008410

\* When ordering an optional pump other than factory supplied, 4 field sourced proper length bolts may be required.

\*\* For low pressure system , use 0~75 psi factory supplied pressure temperature gauge.  
For system pressure higher than 60 psi, use optional or field sourced 0~200 psi pressure temperature gauge.

\*\*\* For heating system with system pressure high than 25 psi, field source proper Safety relief valve.

## QUICK INDEX

KIT NAME	KIT NO.	APPLIED ON MODELS						INSTRUCTION NO.
		50	75	100	150	200	299	
<b>Additional Heating Device Connection Kit</b>	550002875	✓	✓	✓	✓	✓	✓	240010355
<b>Alarm Signal Output Kit</b>	550002997	✓	✓	✓	✓	✓	✓	240010830
<b>Blower Replacement Kit</b>	550002291	✓	✓	✓				240008943
	550002292				✓			
	550002293					✓		
	550002812						✓	240010105
<b>Blower High Altitude Replacement Kit</b>	550003058					✓		240008943
<b>Burner Replacement Kit</b>	550002276	✓						240008933
	550002277		✓					
	550002278			✓				
	550002279				✓	✓		
	550002809						✓	240010106
<b>Burner Inspection Kit</b>	550002280	✓	✓	✓	✓	✓		240008931
	550002818						✓	240010107
<b>Concentric Vent Kit</b>	29570 (2")	✓	✓	✓				N/A
	29571 (3")	✓	✓	✓	✓	✓	✓	
<b>Condensate Neutralizer Kit</b>	550003006	✓	✓	✓	✓			240010861
	550003005					✓	✓	
<b>Condensate Collector Replacement Kit</b>	550002294	✓	✓	✓				240008946
	550002295				✓	✓		
<b>Condensate Trap Replacement Kit</b>	550002296	✓	✓	✓				240008948
	550002297				✓	✓		
	550002814						✓	
<b>Control Module Replacement Kit</b>	550002583	✓	✓	✓	✓	✓	✓	240009314
<b>Flame Sensor Replacement Kit</b>	550002283	✓	✓	✓				240008593
	550002284				✓	✓		
	550002810						✓	
<b>Flexible Gas Line Replacement Kit</b>	550002289	✓	✓	✓				240008941
	550002290				✓	✓		
	550002813						✓	
<b>Floor Stand Kit</b>	240010266	✓	✓	✓	✓	✓	✓	240010265

**QUICK INDEX - CONTI.**

KIT NAME	KIT NO.	APPLIED ON MODELS						INSTRUCTION NO.
		50	75	100	150	200	299	
<b>Gas Valve (Automatic)</b> Replacement Kit	550002329	✓						240008939
	550002285		✓					
	550002286			✓				
	550002287				✓			
	550002288					✓		
	550002811						✓	240010104
<b>Heat Exchanger Surface Temperature Switch</b> Kit	550002554	✓	✓	✓				240009568
	550002555				✓	✓		
	550002820						✓	
<b>Heat Exchanger</b> Replacement Kit	550002271	✓						240008928
	550002272		✓					
	550002273			✓				
	550002274				✓			
	550002275					✓		
	550002808						✓	
<b>High Altitude</b> Kit	550002819	✓	✓	✓	✓		✓	240010113
<b>Igniter</b> Replacement Kit	550002190	✓	✓	✓				240008592
	550002282				✓	✓	✓	
<b>Lower Jacket</b> Replacement Kit	550002313	✓	✓	✓				N/A
	550002314				✓	✓		
	550002823						✓	
<b>LP Gas Conversion</b> Kit	550002303	✓						240008957
	550002304		✓					
	550002305			✓				
	550002306				✓			
	550002307					✓		
	550002799						✓	
<b>Multi Boiler Sensor</b> Kit	550002186	✓	✓	✓	✓	✓	✓	240008959
<b>Upper Jacket</b> Replacement Kit	550002309	✓	✓	✓				N/A
	550002310				✓	✓		
	550002822						✓	
<b>User Interface</b> Replacement Kit	550002299	✓	✓	✓	✓	✓	✓	240008930
<b>Wire Harness</b> Replacement Kit	550002301	✓	✓	✓				240008954
	550002316				✓	✓		
	550002824						✓	



An ISO 9001-2008 Certified Company

ECR International, Inc.

2201 Dwyer Ave

Utica, NY 13501

[www.ecrinternational.com](http://www.ecrinternational.com)