

K-SERIES

CAST IRON GAS FIRED BOILERS FOR FORCED HOT WATER With Hydrolevel 4200 Control

PARTS, KITS & OPTIONAL ACCESSORIES

Models

MGB-K

DXL-K

Ordering Instructions

Order Parts through your nearest supplier.

When ordering parts, obtain Model Number and Serial Number from data plate on your boiler.

Include following information when ordering.

Part Number _____

Part Description _____

Boiler Model Number _____

Boiler Serial Number _____

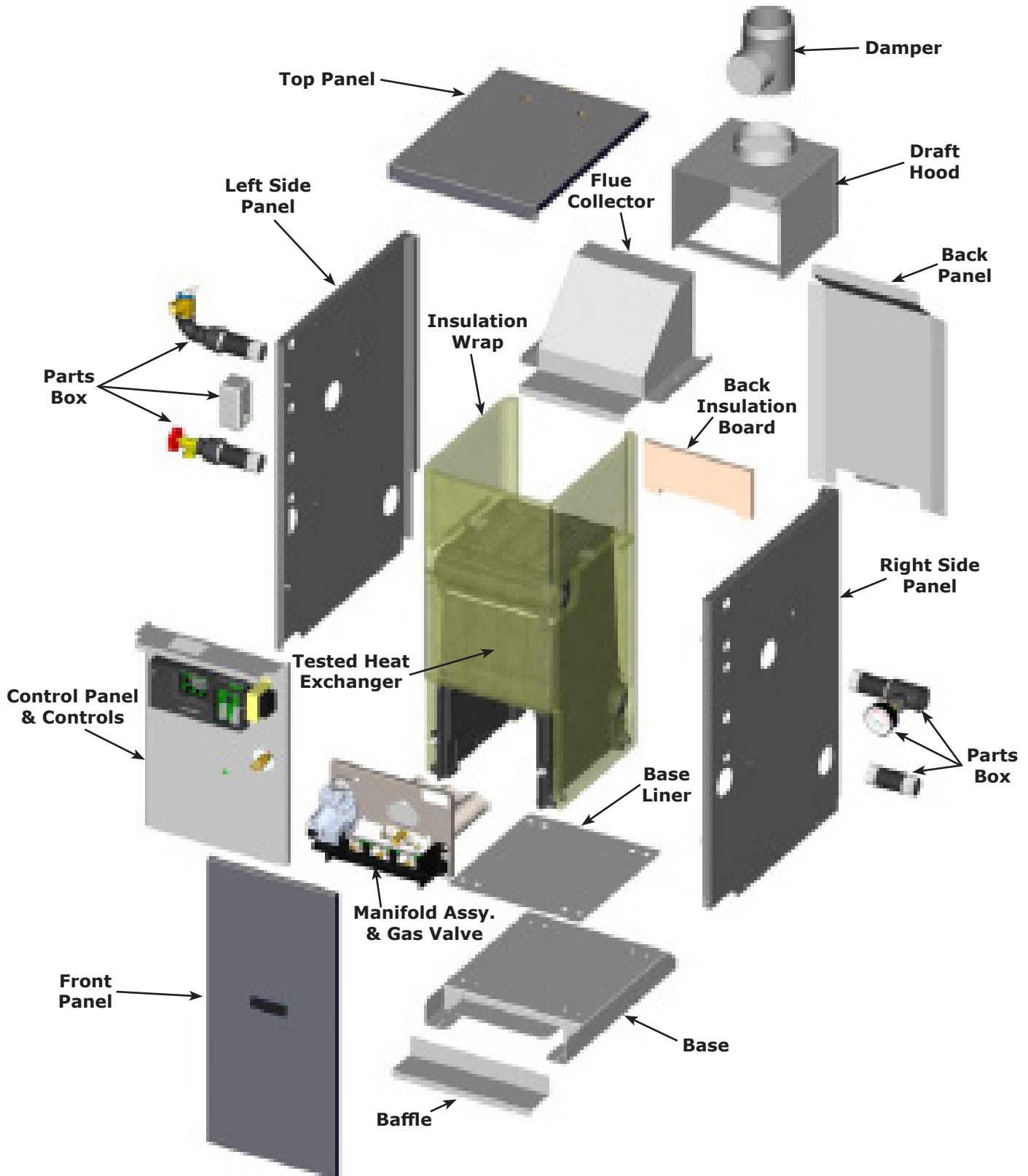
Check our website frequently for updates: www.ecrinternational.com

TABLE OF CONTENTS

Table of Contents	Page(s)
Jacket, Flue and Draft Hood	4 & 5
Manifold Assembly & Gas Valve	6 & 7
Control Panel	8
Parts Box	9
Heat Exchanger & Insulation	10
Conversion Kits	11

BOILER EXPLODED VIEW

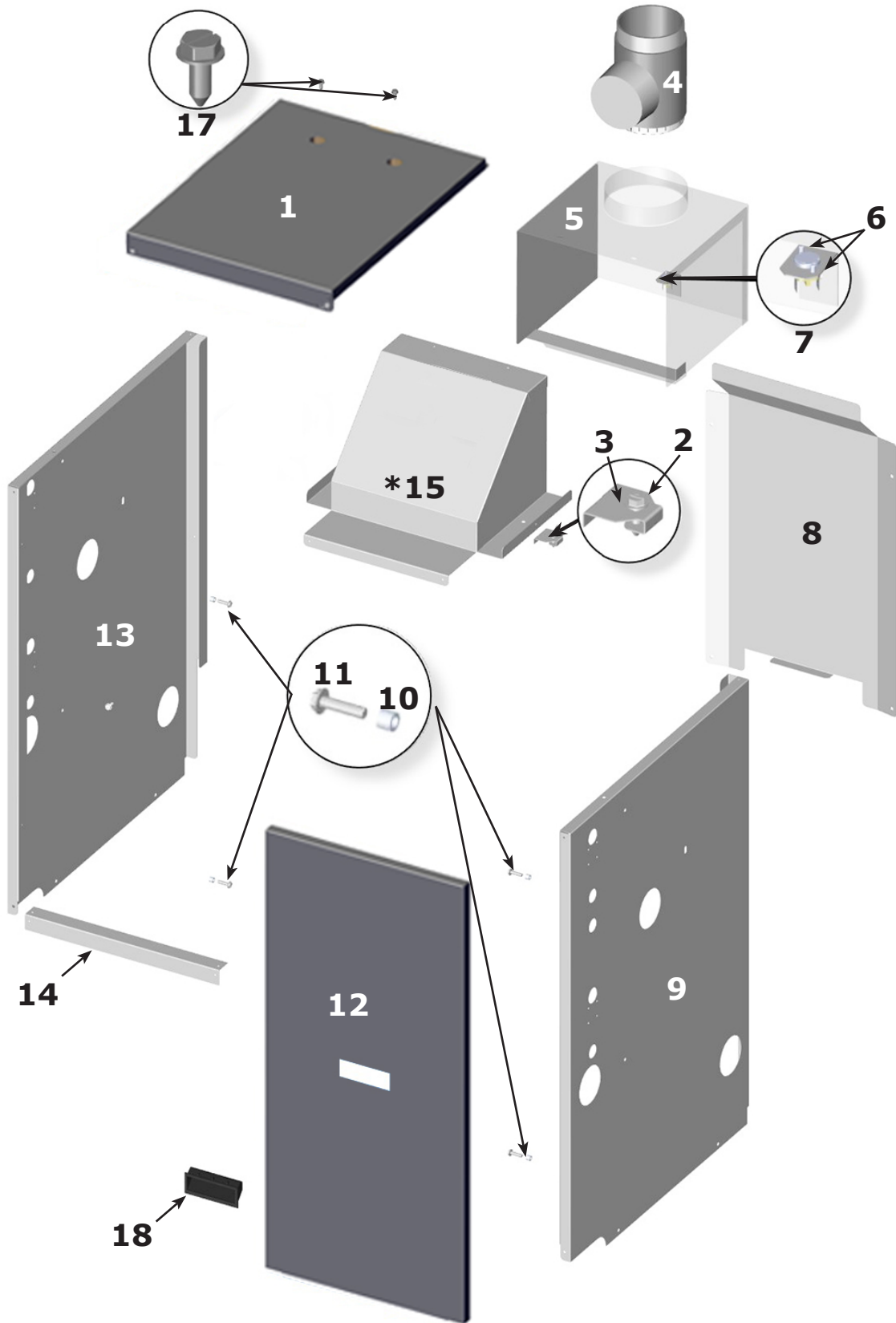
EXPLODED VIEW 4 SECTION SHOWN



JACKET, FLUE AND DRAFT HOOD

4 SECTION SHOWN

*Note: Flue Collector shall be secured in place to top of block using 500°F Silicone.



JACKET, FLUE AND DRAFT HOOD

Item	Part No.	Description	Qty.
1	550004387	Jkt Top Panel w/ Labels (060, 095)	1
	550004388	Jkt Top Panel w/ Labels (120)	
	550004389	Jkt Top Panel w/ Labels (150)	
	550004390	Jkt Top Panel w/ Labels (175)	
	550004391	Jkt Top Panel w/ Labels (205, 235)	
2	14695070	Screw Flue Collector To Block	2
3	240012773	Flue Collector Clip	2
4	240006936	4" Damper (060)	1
	240006937	5" Damper (095)	
	240006938	6" Damper (120, 150)	
	240006939	7" Damper (175, 205, 235)	
5	109010255	Draft Hood (060)	1
	109010256	Draft Hood (095)	
	109010257	Draft Hood (120)	
	109010258	Draft Hood (150)	
	109010259	Draft Hood (175)	
	109010260	Draft Hood (205)	
	109010261	Draft Hood (235)	
6	HW06501	Screw for Spill Switch	1
7	AQ02101	Spill Switch	1
8	109010298	Jkt Back Panel (060, 095)	1
	109010299	Jkt Back Panel (120)	
	109010300	Jkt Back Panel (150)	
	109010301	Jkt Back Panel (175)	
	109010302	Jkt Back Panel (205,235)	
9	550003804	Jkt Side Right Panel	1
10	240012789	Front Panel Mount Bushing	4
11	2120103	Screw For Front Panel Mount Bushing	4

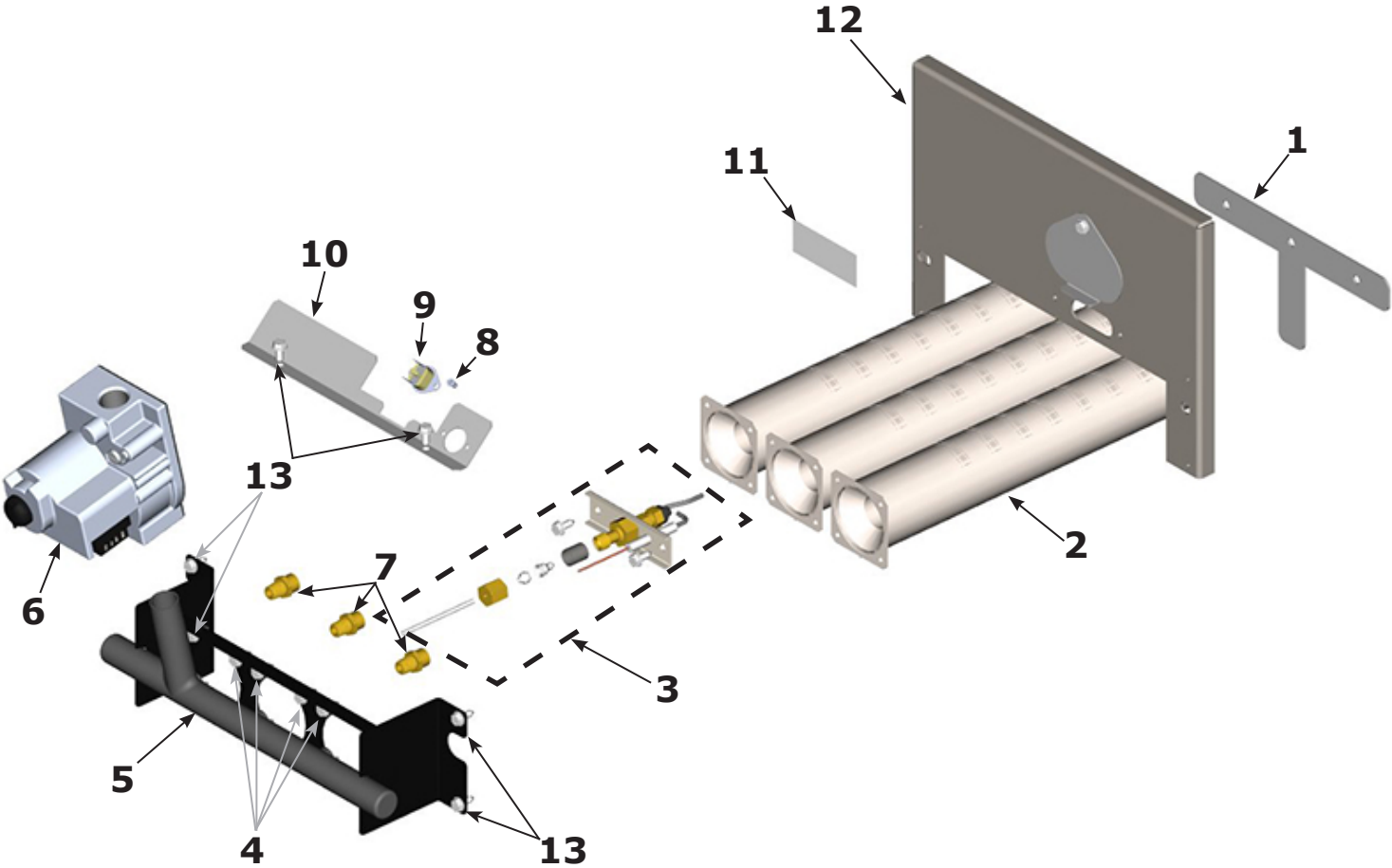
Item	Part No.	Description	Qty.
12	550004376	Jkt Front w/ labels (MGB-060, 095)	1
	550004377	Jkt Front w/ labels (MGB-120)	
	550004378	Jkt Front w/ labels (MGB-150)	
	550004379	Jkt Front w/ labels (MGB-175)	
	550004380	Jkt Front w/ labels (MGB-205, 235)	
	550004381	Jkt Front w/ labels (DXL-060, 095)	
	550004382	Jkt Front w/ labels (DXL-120)	
	550004383	Jkt Front w/ labels (DXL-150)	
	550004384	Jkt Front w/ labels (DXL-175)	
550004385	Jkt Front w/ labels (DXL-205, 235)		
13	550003805	Jkt Side Left Panel	1
14	109010411	Tie Bar (060,095)	1
	109010412	Tie Bar (120)	
	109010413	Tie Bar (150)	
	109010414	Tie Bar (175)	
	109010415	Tie Bar (205,235)	
	109010262	Flue Collector (060)	
109010263	Flue Collector (095)		
109010264	Flue Collector (120)		
*15 109010265	Flue Collector (150)		
109010266	Flue Collector (175)		
109010267	Flue Collector (205)		
109010268	Flue Collector (235)		
17	14695074	Screws for Hood Assy & Jacket	12
18	28673	Grab Handle	1

*Note Flue Collector shall be secured in place to top of block using 500°F (260°C) Silicone.

NS = Not Shown

MANIFOLD ASSEMBLY & GAS VALVE

4 SECTION SHOWN



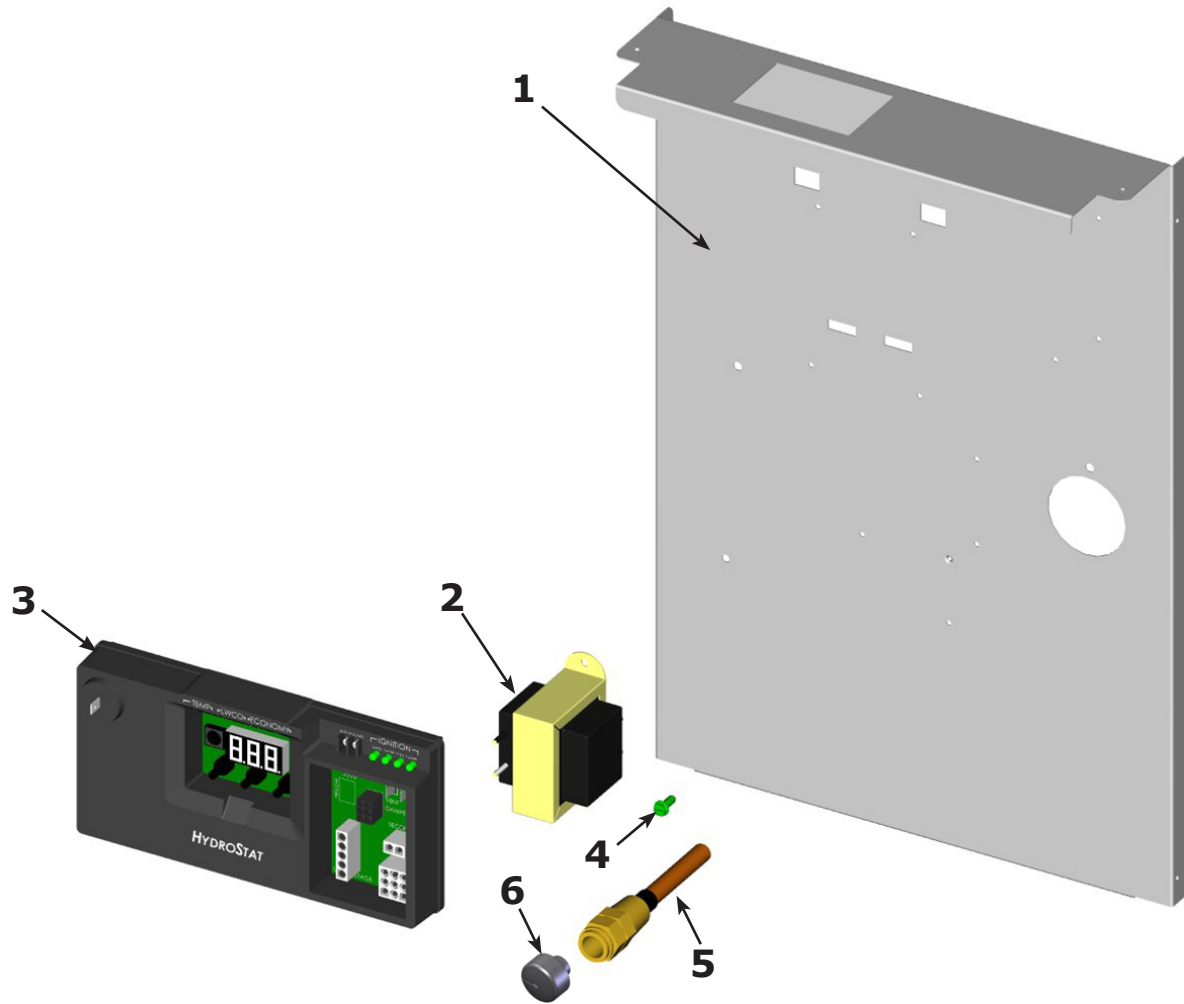
MANIFOLD ASSEMBLY & GAS VALVE

Item	Part No.	Description	Qty.
1	109010325	Burner Support T, 3 Sec, (060)	1
	109010326	Burner Support T, 4 Sec, (095)	
	109010327	Burner Support T, 5 Sec, (120)	
	109010328	Burner Support T, 6 Sec, (150)	
	109010329	Burner Support T, 7 Sec, (175)	
	109010330	Burner Support T, 8 Sec, (205)	
	109010331	Burner Support T, 9 Sec, (235)	
2	240012755	Burner (060)	2
		Burner (095)	3
		Burner (120)	4
		Burner (150)	5
		Burner (175)	6
		Burner (205)	7
		Burner (235)	8
3	550003793	Pilot Assy	1
		Pilot Orifice, NAT	1
		Pilot Orifice, LP	1
		Pilot Nut	1
		Pilot Tube	1
		Pilot Screws	2
		Pilot Compression Fitting	1
		Pilot Screen	1
		Instructions	1
4	201000164	#10 Screw- Manifold, Burners (060)	8
		#10 Screw- Manifold, Burners (095)	12
		#10 Screw- Manifold, Burners (120)	16
		#10 Screw- Manifold, Burners (150)	20
		#10 Screw- Manifold, Burners (175)	24
		#10 Screw- Manifold, Burners (205)	28
		#10 Screw- Manifold, Burners (235)	32
5	240012732	Gas Manifold (060)	1
	240012733	Gas Manifold (095)	
	240012734	Gas Manifold (120)	
	240012735	Gas Manifold (150)	
	240012736	Gas Manifold (175)	
	240012737	Gas Manifold (205)	
	240012738	Gas Manifold (235)	
6	VG01101	VLV,GAS,NAT,1/2x1/2,SPK (060-175)	1
	VG01103	VLV,GAS,NAT,3/4x3/4,SPK (205-235)	1

Item	Part No.	Description	Qty.
7 Nat	240012911	Orifice, NAT , 1/8", #40 (060)	2
	240012910	Orifice, NAT , 1/8", #39 (095)	3
	240012910	Orifice, NAT , 1/8", #39 (120)	4
	240012910	Orifice, NAT , 1/8", #39 (150)	5
	240012910	Orifice, NAT , 1/8", #39 (175)	6
	240012910	Orifice, NAT , 1/8", #39 (205)	7
	240012910	Orifice, NAT , 1/8", #39 (235)	8
	7 LP	240012921	Orifice, LP ,1/8",BRS, #53 (060)
240012921		Orifice, LP ,1/8",BRS, #53 (095)	3
240012921		Orifice, LP ,1/8",BRS, #53 (120)	4
240012921		Orifice, LP ,1/8",BRS, #53 (150)	5
240012921		Orifice, LP ,1/8",BRS, #53 (175)	6
240012921		Orifice, LP ,1/8",BRS, #53 (205)	7
240012921		Orifice, LP ,1/8",BRS, #53 (235)	8
8		HW06501	Rollout Switch Screw
9	AQ02101	Rollout Switch	1
10	109010310	Rollout Switch Bracket (060)	1
	109010311	Rollout Switch Bracket (095)	
	109010312	Rollout Switch Bracket (120)	
	109010313	Rollout Switch Bracket (150)	
	109010314	Rollout Switch Bracket (175)	
	109010315	Rollout Switch Bracket (205)	
	109010316	Rollout Switch Bracket (235)	
11	240011572	Caution Label	1
12	550004179	Burner Plate Kit 3 Sec,(060)	1
	550004180	Burner Plate Kit 4 Sec,(095)	
	550004181	Burner Plate Kit 5 Sec,(120)	
	550004182	Burner Plate Kit 6 Sec,(150)	
	550004183	Burner Plate Kit 7 Sec,(175)	
	550004184	Burner Plate Kit 8 Sec,(205)	
550004185	Burner Plate Kit 9 Sec,(235)		
13	14695074	#10 x 1/2 Screw, Sheet Metal	VAR

NS = Not Shown

CONTROL PANEL

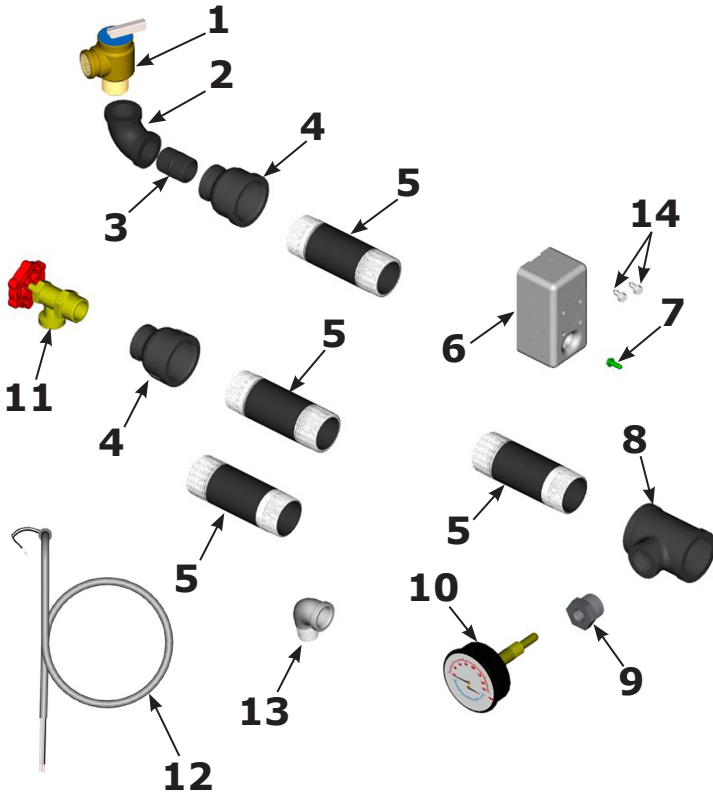


Item	Part No.	Description	Qty.
1	109010291	Control Panel (060)	1
	109010292	Control Panel (095)	1
	109010293	Control Panel (120)	1
	109010294	Control Panel (150)	1
	109010295	Control Panel (175)	1
	109010296	Control Panel (205)	1
	109010297	Control Panel (235)	1
2	14662046	Transformer	1
3	240013218	Hydrolevel Control	1
4	HW07701	Ground Screw #8	1
5	240009413	Sensor Well	1
6	240007713	Grommet	1

Item	Part No.	Description	Qty.
NS	14695074	Screw #10 X 1/2" , A Point, Panel	4
NS	240013253	Main Wire Harness (060-235)	1
NS	240012713	Vent Damper Harness	1
NS	240012635	2 Ft LWCO Sensor Cable	1
NS	240009680	Warning Disconnect Power	1

NS = Not Shown

PARTS BOX



060 Parts Box Kit 550004331 Includes:			
Item	Part No.	Description	Qty.
1	VR-001.01	ASME Relief Valve, 30 PSI, 3/4"	1
2	1190001	Pipe, Elbow 3/4" 90°	1
3	1310004	Close Nipple 3/4" NPT	1
4	240012815	Reducing coupling 1-1/4" x 3/4" NPT	2
5	14607017	NPL,1-1/4" x 6" ,BI,STD	4
6	212000017	Box,Junction,2" x 4" x 1-7/8"	1
7	HW09001	Ground Screw #10	1
8	PF05901	Tee 1-1/4" x 1-1/4" x 3/4" NPT	1
9	1060002	Bushing 3/4" x 1/4" NPT	1
10	1260006SP	GA,Temp/Press, 2" Shank	1
11	240009323	Drain Valve 3/4"	1
12	240012712	Harness, Circulator, 60"	1
13	240012828	ELB,90°,ST,1/2NPT,BI (060-175)	1
14	14695074	Screw, #10 For Junction Box	2
NS	206000021	Panel Hole Plug	3

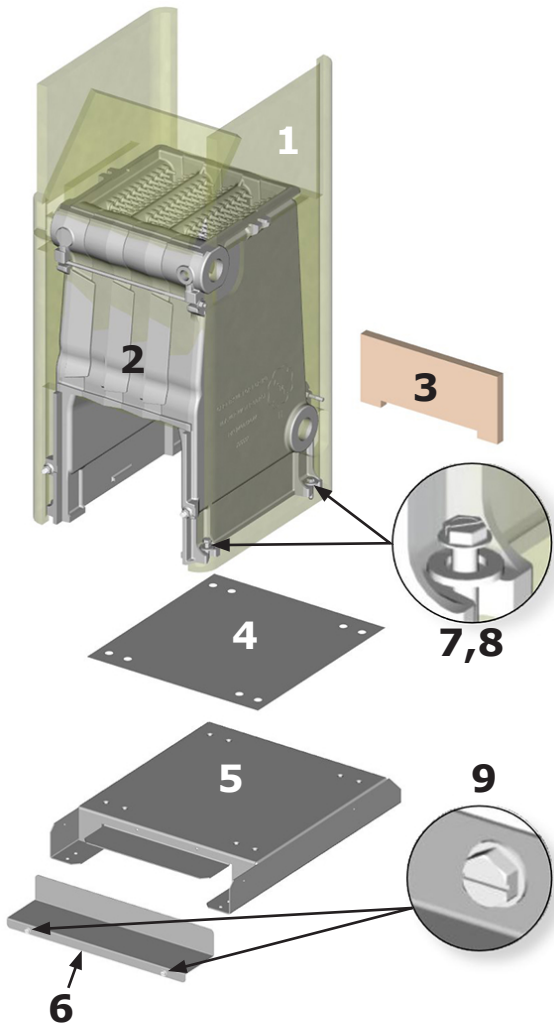
095 - 175 Parts Box Kit 550004332 Includes:			
Item	Part No.	Description	Qty.
1	VR-001.01	ASME Relief Valve, 30 PSI, 3/4"	1
2	1190001	Pipe, Elbow 3/4" 90°	1
3	1310004	Close Nipple 3/4" NPT	1
4	240012815	Reducing coupling 1-1/4" x 3/4" NPT	2
5	1310002	NPL,1-1/4" x 4-1/2" ,BI,STD	4
6	212000017	Box,Junction,2" x 4" x 1-7/8"	1
7	HW09001	Ground Screw #10	1
8	PF05901	Tee 1-1/4" x 1-1/4" x 3/4" NPT	1
9	1060002	Bushing 3/4" x 1/4" NPT	1
10	1260006SP	GA,Temp/Press, 2" Shank	1
11	240009323	Drain Valve 3/4"	1
12	240012712	Harness, Circulator, 60"	1
13	240012828	ELB,90°,ST,1/2NPT,BI (060-175)	1
14	14695074	Screw, #10 For Junction Box	2
NS	206000021	Panel Hole Plug	3

205 / 235 Parts Box Kit 550004333 Includes:			
Item	Part No.	Description	Qty.
1	VR-001.01	ASME Relief Valve, 30 PSI, 3/4"	1
2	1190001	Pipe, Elbow 3/4" 90°	1
3	1310004	Close nipple 3/4" NPT	1
4	240012815	Reducing coupling 1-1/4" x 3/4" NPT	2
5	14607017	NPL, 1-1/4" x 6" ,BI,STD	4
6	212000017	Box,Junction, 2" x 4" x 1-7/8"	1
7	HW09001	Ground Screw #10	1
8	PF05901	Tee 1-1/4" x 1-1/4" x 3/4" NPT	1
9	1060002	Bushing 3/4" x 1/4" NPT	1
10	1260006SP	GA,Temp/Press, 2" Shank	1
11	240009323	Drain Valve 3/4"	1
12	240012712	Harness, Circulator, 60"	1
13	14693040	ELB,90°,ST,3/4NPT,BI (205/235)	1
14	14695074	Screw, #10 For Junction Box	2
NS	206000021	Panel Hole Plug	3

NS = Not Shown

HEAT EXCHANGER BLOCK AND INSULATION

4 SECTION SHOWN



Item	Part No.	Description	Qty.
1	240012766	Heat Exchanger Block Insulation Wrap (060)	1
	240012767	Heat Exchanger Block Insulation Wrap (095)	1
	240012768	Heat Exchanger Block Insulation Wrap (120)	1
	240012769	Heat Exchanger Block Insulation Wrap (150)	1
	240012770	Heat Exchanger Block Insulation Wrap (175)	1
	240012771	Heat Exchanger Block Insulation Wrap (205)	1
	240012772	Heat Exchanger Block Insulation Wrap (235)	1
2	912000105	Tested Block 3 Section (060)	1
	912000106	Tested Block 4 Section (095)	1
	912000107	Tested Block 5 Section (120)	1
	912000108	Tested Block 6 Section (150)	1
	912000109	Tested Block 7 Section (175)	1
	912000110	Tested Block 8 Section (205)	1
	912000111	Tested Block 9 Section (235)	1
**3	240012748	Rear Insulation Board (060)	1
	240012749	Rear Insulation Board (095)	1
	240012750	Rear Insulation Board (120)	1
	240012751	Rear Insulation Board (150)	1
	240012752	Rear Insulation Board (175)	1
	240012753	Rear Insulation Board (205)	1
	240012754	Rear Insulation Board (235)	1
4	109010249	Base Liner (060,095)	1
	109010250	Base Liner (120)	1
	109010251	Base Liner (150)	1
	109010252	Base Liner (175)	1
	109010253	Base Liner (205,235)	1
5	109010447	Base (060,095)	1
	109010448	Base (120)	1
	109010449	Base (150)	1
	109010450	Base(175)	1
	109010451	Base (205,235)	1
6	109010452	Baffle (095)	1
	109010453	Baffle (120)	1
	109010454	Baffle (150)	1
7	201000159	Screw Block to Base 5/16"x1-1/4"	4
8	HW-008.01	Washer 5/16"	4
9	14695074	SCR,10x1/2",TYPE AB,SLT,HWH,SZN	2

When evaluating HTEX block replacement, please review insulation parts if needed

****Note:** Rear Insulation Board shall be secured in place using 400°F Silicone.

CONVERSION KITS

NATURAL GAS TO PROPANE (LP) CONVERSION KIT	
Part No.	Description
550003778	Kit, Conversion, Natural to LP (all sizes)

PROPANE (LP) TO NATURAL GAS CONVERSION KIT	
Part No.	Description
550003884	Kit, Conversion, LP to Natural (all sizes)

DHW / ZONE 2 CIRCULATOR HARNESS KIT

DHW HARNESS KIT	
Part No.	Description
550004166	KIT,DHW,HARN,HL4200

ECR international

2260 Dwyer Avenue, Utica, NY 13501

Tel. 800 325 5479

www.ecrinternational.com

All specifications subject to change without notice.

©2024 ECR International, Inc.