



Models
HVX-050
HVX-075
HVX-100
HVX-150
HVX-200



**WALL MOUNTED
CONDENSING GAS BOILER**

**PARTS, KITS &
OPTIONAL ACCESSORIES**

Ordering Instructions

Order Parts through your nearest supplier.

When ordering parts, obtain Model Number and Serial Number from data plate on your boiler.

Include following information when ordering.

Part Number _____

Part Description _____

Boiler Model Number _____

Boiler Serial Number _____



ECR international
EST. 1928
A Family of Heating & Cooling Brands.

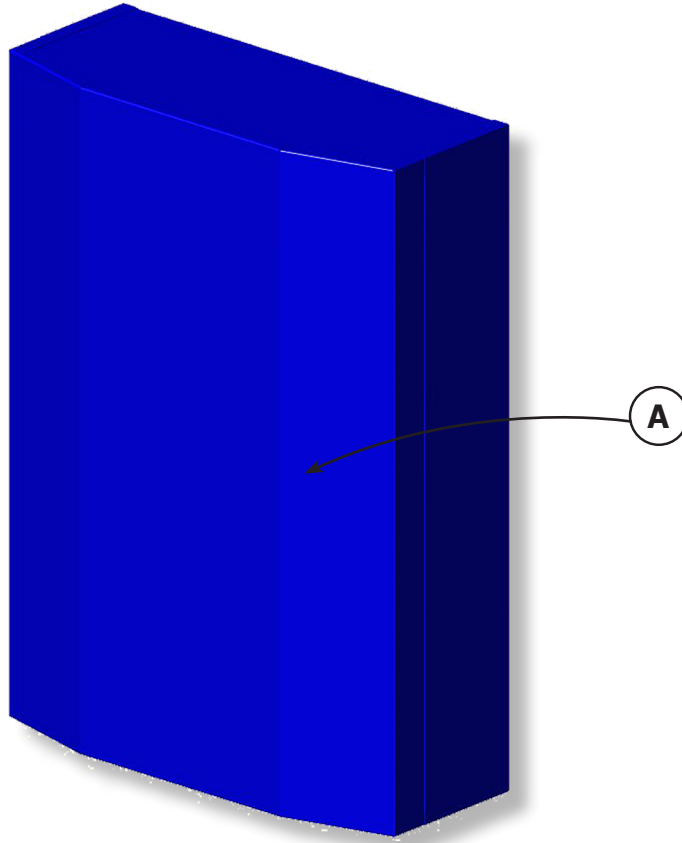
Manufactured by:
ECR International, Inc.
2201 Dwyer Avenue, Utica NY 13501
web site: www.ecrinternational.com

P/N 240011345 Rev. C [05/05/2016]

TABLE OF CONTENTS

Jacket Kits.....	3
Heat Exchanger Kits	4
Burner Replacement Kits	6
Burner Inspection Kit.....	6
Igniter Kits	8
Flame Sensor Kits	9
Gas Valve Kits.....	10
Blower Kit	11
Condensate Collector Kit 050/075/100	12
Condensate Collector Kit 150/200.....	13
Control Module Kit.....	14
Wire Harness Kits.....	15
Heat Exchanger Surface Temperature Switch Kits	16
Gas Conversion Kits.....	17
High Altitude Kit.....	18
Floor Stand Kit	18
Multi Boiler Sensor Kit.....	19
Concentric Vent Kits.....	19
Misc. Replacement Parts.....	20
Misc. Replacement Parts - Conti.	21
QUICK INDEX	22

JACKET KITS

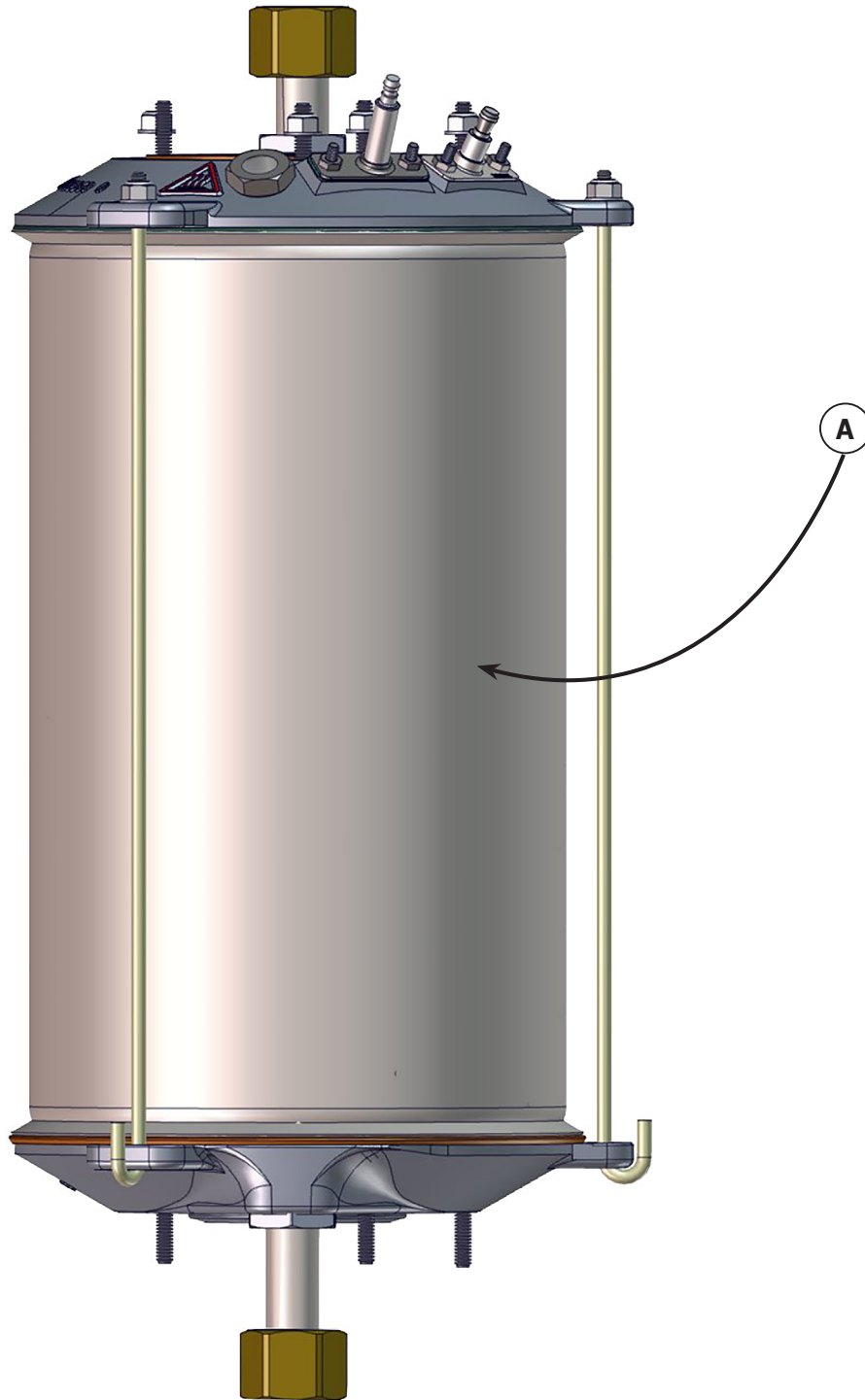


050/075/100 Jacket Kit # 550003138			
Item	DESCRIPTION	PART #	QTY
A	Jacket w/Gasket & Hook	-	1

150/200 Jacket Kit # 550003142			
Item	DESCRIPTION	PART #	QTY
A	Jacket w/Gasket & Hook	-	1

HEAT EXCHANGER KITS

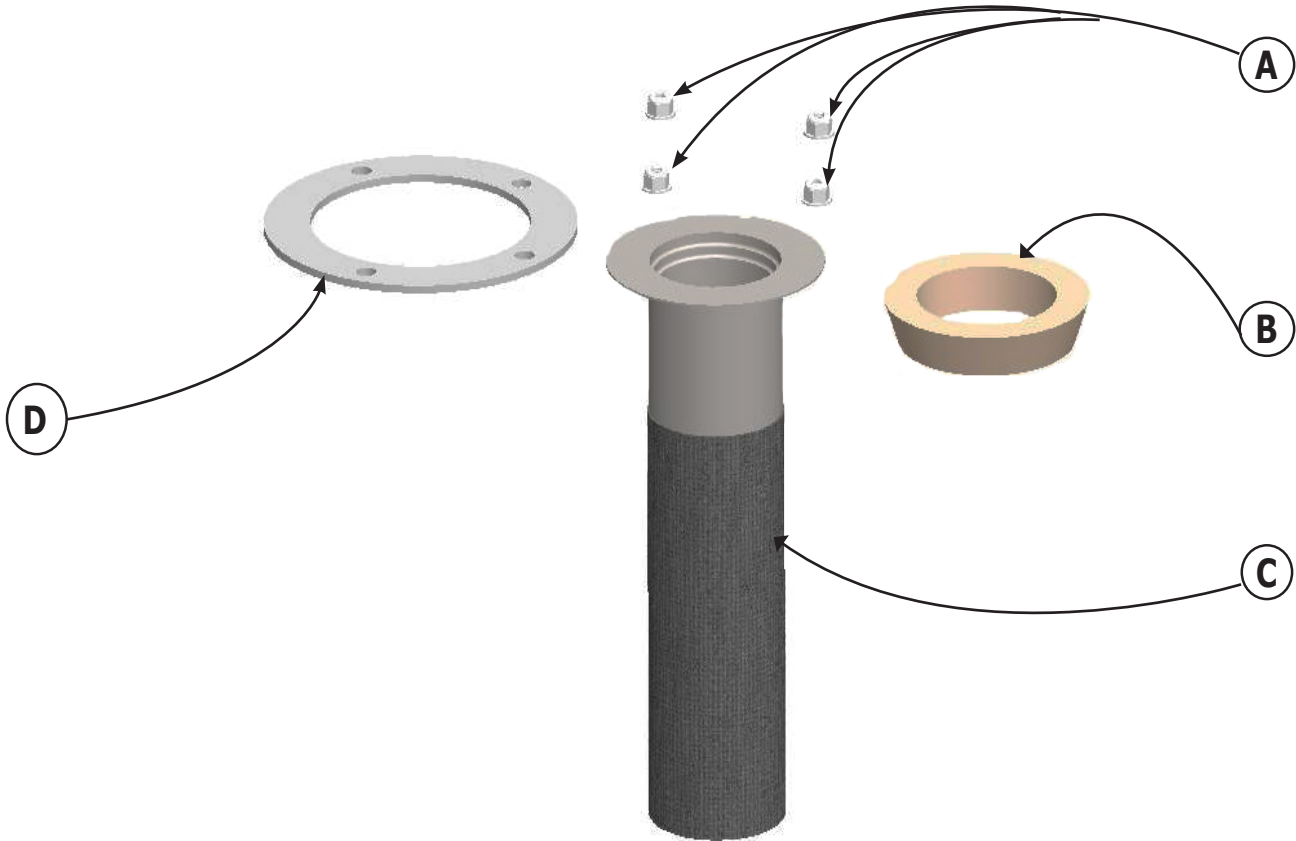
Heat Exchanger - 050, 075, 100, 150, 200 MBH



HEAT EXCHANGER KITS

050 Heat Exchanger Kit # 550002271				
Heat Exchanger Kit #550002271 includes all items listed	ITEM	DESCRIPTION	PART #	QTY
	A	Heat Exchanger Module With Ferrell And Nut (includes: Igniter, Flame Sensor)	-	1
	*	Instructions	240008928	1
075 Heat Exchanger Kit # 550002272				
	A	Heat Exchanger Module With Ferrell And Nut (includes: Igniter, Flame Sensor)	-	1
	*	Instructions	240008928	1
100 Heat Exchanger Kit # 550002273				
	A	Heat Exchanger Module With Ferrell And Nut (includes: Igniter, Flame Sensor)	-	1
	*	Instructions	240008928	1
150 Heat Exchanger Kit # 550002274				
Heat Exchanger Kit #550002274 includes all items listed	ITEM	DESCRIPTION	PART #	QTY
	A	Heat Exchanger Module With Ferrell And Nut (includes: Igniter, Flame Sensor)	-	1
	*	Instructions	240008928	1
200 Heat Exchanger Kit # 550002275				
	A	Heat Exchanger Module With Ferrell And Nut (includes: Igniter, Flame Sensor)	-	1
	*	Instructions	240008928	1
* Not Shown				

BURNER REPLACEMENT KITS



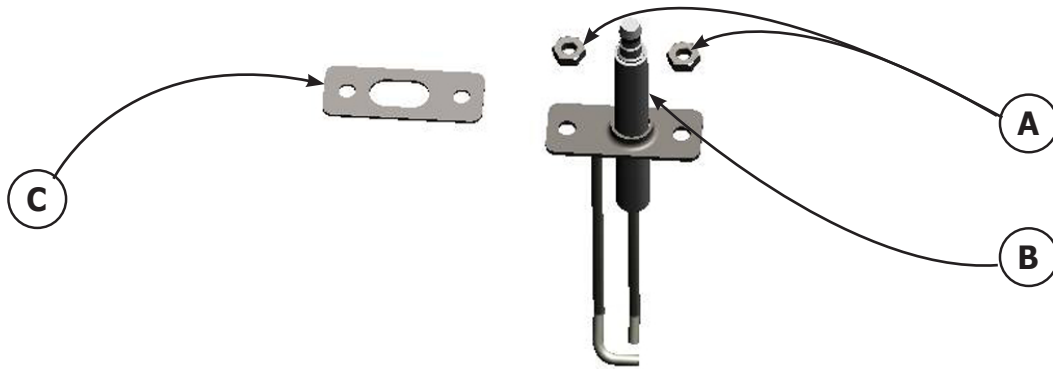
50/075/100/150/200 Burner Inspection Kit # 550002280				
	ITEM	DESCRIPTION	PART #	QTY
Replacement Inspection Kit #550002280 includes all items listed	A	1/4-20 Nut	-	8
	B	Burner Sleeve, Refractory	-	1
	D	Gasket, Air/Fuel Inlet	-	1
	*	Fiber Gasket	-	1
	*	Igniter Gasket	-	1
	*	8-32 Hex Nut	-	4
	*	Instructions	240008931	1
* Not Shown				

BURNER REPLACEMENT KITS

Burner Replacement Kits - Conti.

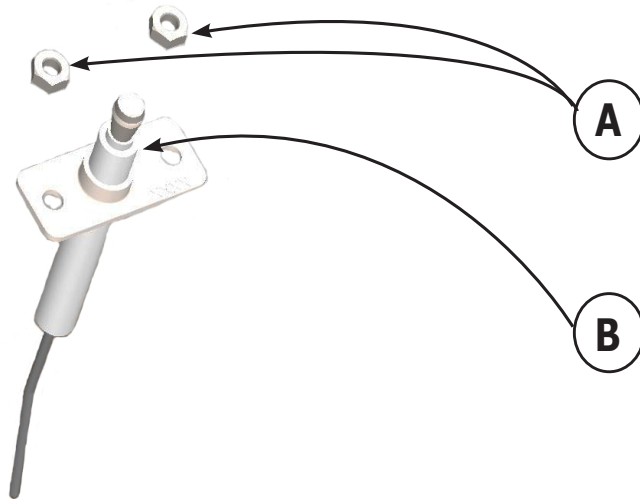
050 Replacement Burner Kit # 550002276				
Replacement Burner Kit #550002276 includes all items listed	ITEM	DESCRIPTION	PART #	QTY
	A	1/4-20 Nut	-	4
	B	Burner Sleeve, Refractory	-	1
	C	Burner 50K BTU	-	1
	D	Fiber Gasket	-	1
	*	Igniter Gasket	-	1
	*	8-32 Hex Nut	-	2
	*	Instructions	240008933	1
075 Replacement Burner Kit # 550002277				
Replacement Burner Kit #550002277 includes all items listed	A	1/4-20 Nut	-	4
	B	Burner Sleeve, Refractory	-	1
	C	Burner 75K BTU	-	1
	D	Fiber Gasket	-	1
	*	Igniter Gasket	-	1
	*	8-32 Hex Nut	-	2
	*	Instructions	240008933	1
100 Replacement Burner Kit # 550002278				
Replacement Burner Kit #550002278 includes all items listed	A	1/4-20 Nut	-	4
	B	Burner Sleeve, Refractory	-	1
	C	Burner 100K BTU	-	1
	D	Fiber Gasket	-	1
	*	Igniter Gasket	-	1
	*	8-32 Hex Nut	-	2
	*	Instructions	240008933	1
150/200 Replacement Burner Kit # 550002279				
Replacement Burner Kit #550002279 includes all items listed	A	1/4-20 Nut	-	4
	B	Burner Sleeve, Refractory	-	1
	C	Burner 150K BTU	-	1
	D	Fiber Gasket	-	1
	*	Igniter Gasket	-	1
	*	8-32 Hex Nut	-	2
	*	Instructions	240008933	1

IGNITER KITS



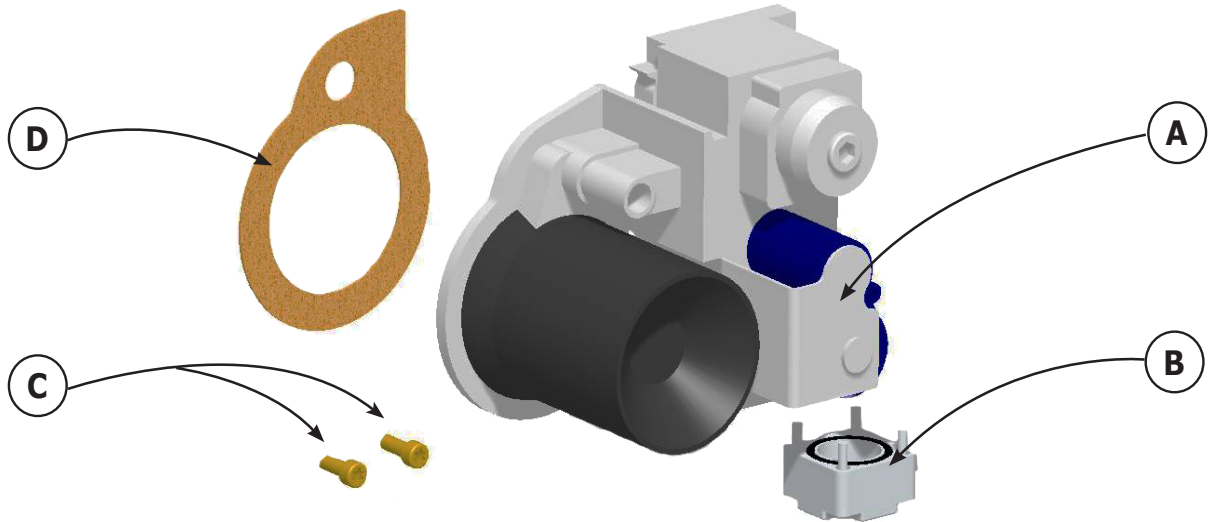
050/075/100 Igniter Kit # 550002190				
	ITEM	DESCRIPTION	PART #	QTY
Igniter Kit #550002190 includes all items listed	A	8-32, Hex Nut	-	2
	B	Igniter	-	1
	C	Igniter Gasket	-	1
	*	Instructions	240008592	1
150/200 Igniter Kit # 550002282				
	ITEM	DESCRIPTION	PART #	QTY
Igniter Kit #550002282 includes all items listed	A	8-32 Hex Nut	-	2
	B	Igniter	-	1
	C	Igniter Gasket	-	1
	*	Instructions	240008592	1
* Not Shown				

FLAME SENSOR KITS



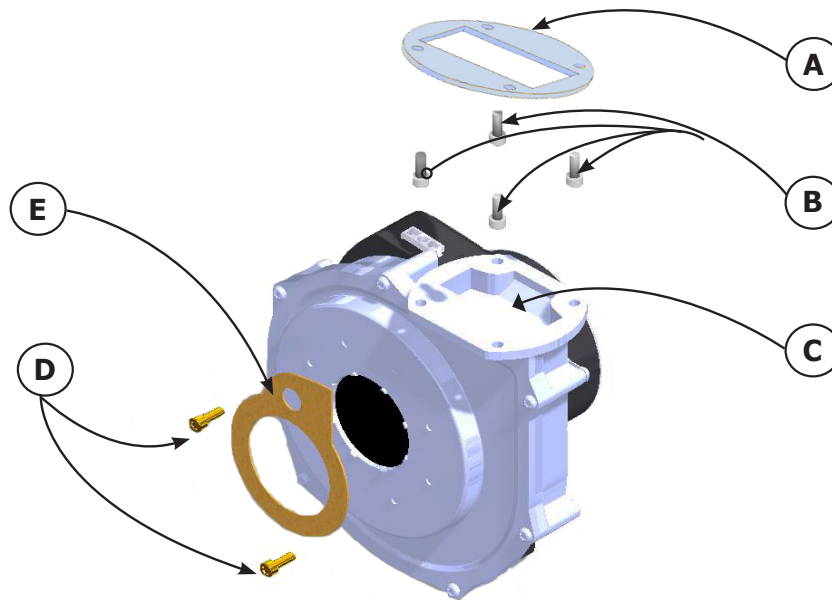
050/075/100 Flame Sensor Kit #550002283				
Flame Rod Kit #550002283 includes all items listed	ITEM	DESCRIPTION	PART #	QTY
	A	8-32 Hex Nut	-	2
	B	Sensor Flame	-	1
	*	Instructions	240008593	1
150/200 Flame Sensor Kit #550002284				
Flame Rod Kit #550002284 includes all items listed	ITEM	DESCRIPTION	PART #	QTY
	A	8-32 Hex Nut	-	2
	B	Sensor Flame	-	1
	*	Instructions	240008593	1
* Not Shown				

GAS VALVE KITS - 050/075/100/150/200 MBH



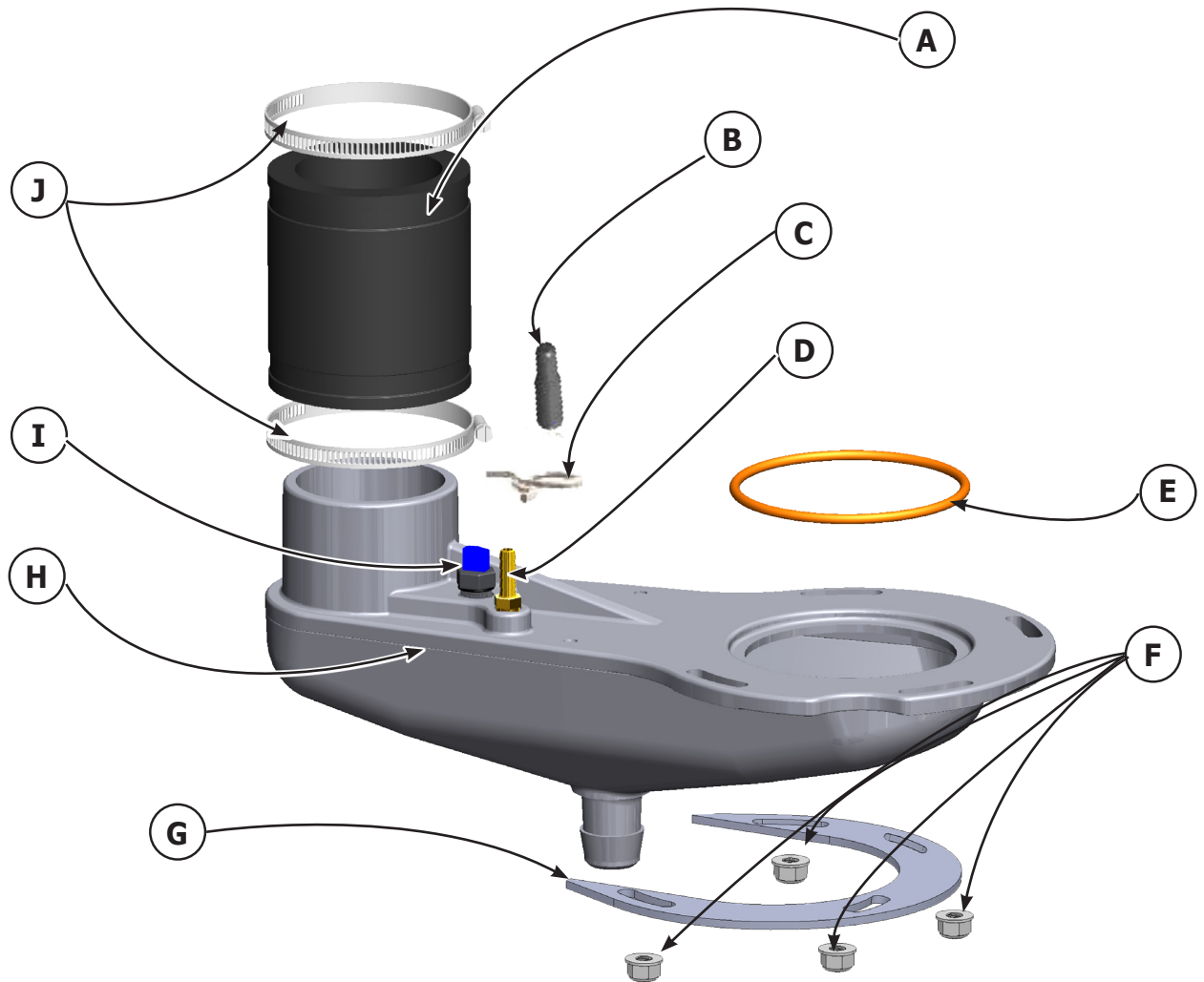
050 Gas Valve Kit # 550002329				
Gas Valve Kit #550002329 includes all items listed	A	Gas Valve, 050, VK4115V, Venturi Included	-	1
	B	Gas Valve Flange Kit	1235008	1
	C	Screw, T25 Torx	-	2
	D	Gasket, Cork	1250021	1
	*	Instructions	240008939	1
075 Gas Valve Kit # 550002285				
Gas Valve Kit #550002285 includes all items listed	A	Gas Valve, 075, VK4115V, Venturi Included	-	1
	B	Gas Valve Flange Kit	1235008	1
	C	Screw, T25 Torx	-	2
	D	Gasket, Cork	1250021	1
	*	Instructions	240008939	1
100 Gas Valve Kit # 550002286				
Gas Valve Kit #550002286 includes all items listed	A	Gas Valve, 100, VK4115V, Venturi Included	-	1
	B	Gas Valve Flange Kit	1235008	1
	C	Screw, T25 Torx	-	2
	D	Gasket, Cork	1250021	1
	*	Instructions	240008939	1
150 Gas Valve Kit # 550002287				
Gas Valve Kit #550002287 includes all items listed	A	Gas Valve, 150, VK4115F, Venturi Included	-	1
	B	Gas Valve Flange Kit	1235008	1
	C	Screw, T25 Torx	-	2
	D	Gasket, Cork	1250021	1
	*	Instructions	240008939	1
200 Gas Valve Kit # 550002288				
Gas Valve Kit #550002288 includes all items listed	A	Gas Valve, 200, VK4115F, Venturi Included	-	1
	B	Gas Valve Flange Kit	1235008	1
	C	Screw, T25 Torx	-	2
	D	Gasket, Cork	1250021	1
	*	Instructions	240008939	1
* Not Shown				

BLOWER KIT - 050/075/100/150/200 MBH



050/075/100 Blower Kit # 550002291				
	ITEM	DESCRIPTION	PART #	QTY
Blower Motor Kit #550002291 includes all items listed	A	Gasket, Fan/Transition Piece	240011291	1
	B	Screw,10-24 X 1/2" Socket Head Cap	-	4
	C	Blower, 120 V 50/60 HZ, RG130/0800-3612	-	1
	D	Screw, T25 Torx	-	4
	E	Gasket, Cork	1250021	1
	*	1/4-20 Hex Flange Nut	-	4
	*	Instructions	240008943	1
150 Blower Kit # 550002292				
Blower Motor Kit #550002292 includes all items listed	A	Gasket, Fan/Transition Piece	240011291	1
	B	Screw,10-24 X 1/2" Socket Head Cap	-	4
	C	Blower, 120 V 50/60 HZ, RG148/1200-3612	-	1
	D	Screw, T25 Torx	-	4
	E	Gasket, Cork	1250021	1
	*	1/4-20 Hex Flange Nut	-	4
	*	Instructions	240008943	1
200 Blower Kit # 550002293				
Blower Motor Kit #550002293 includes all items listed	A	Gasket, Fan/Transition Piece	240011291	1
	B	Screw,10-24 X 1/2" SS Socket Head Cap	-	4
	C	Blower, 120 V 50/60 HZ, RG148/1200-3633	-	1
	D	Screw, T25 Torx	-	4
	E	Gasket, Cork	1250021	1
	*	1/4-20 Hex Flange Nut	-	4
	*	Instructions	240008943	1
* Not Shown				

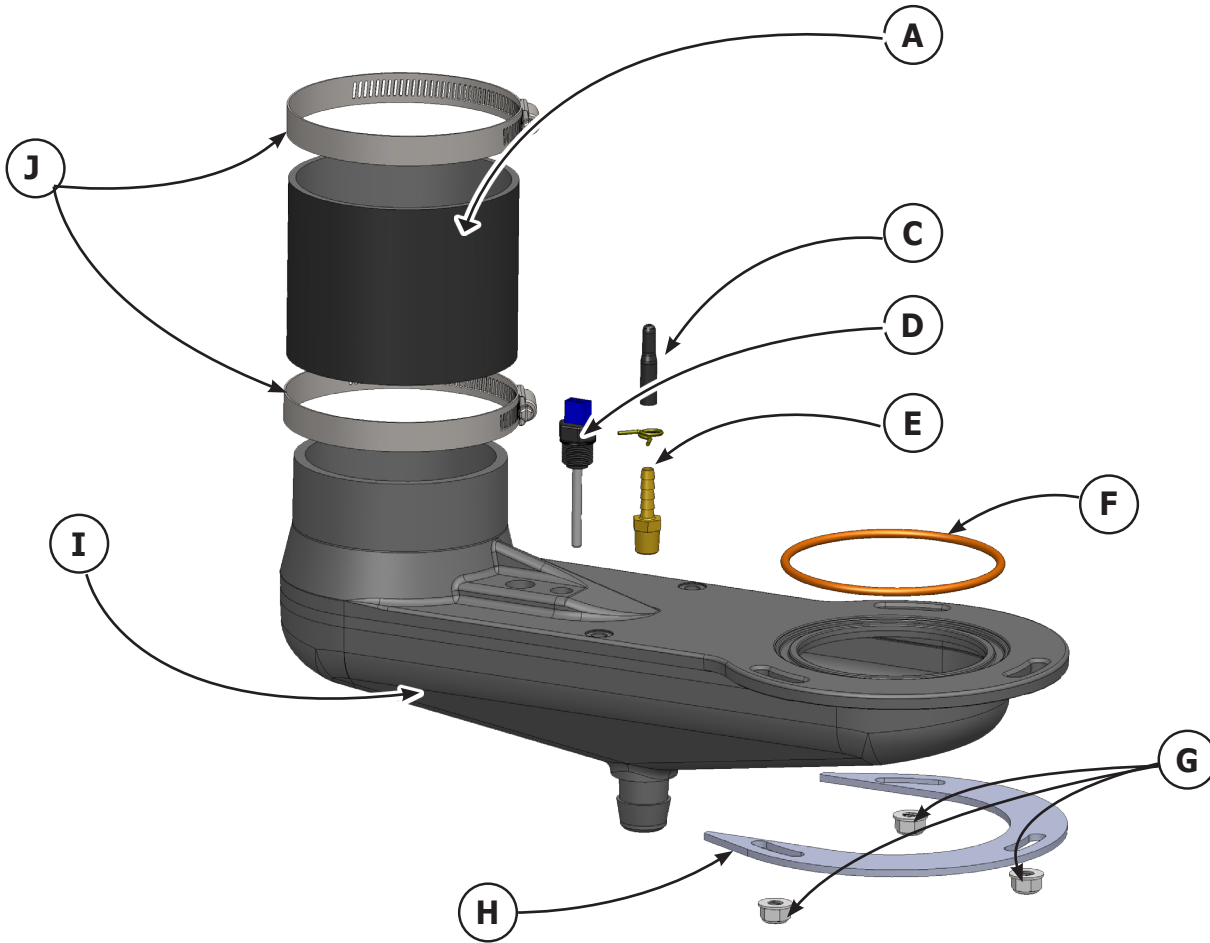
CONDENSATE COLLECTOR KIT 050/075/100



050/075/100 Condensate Collector Kit # 550002294				
	ITEM	DESCRIPTION	PART #	QTY
Condensate Collector Kit #550002294 includes all items listed	A	Flexible Coupling	-	1
	B	Cap black vinyl 3/16"	1230006	1
	C	Clamp, Spring Tension	1110001	1
	D	Hose Barb	1230010	1
	E	O-Ring for Condensate Collector	240008261	1
	F	1/4-20 Hex Flange Nut	-	4
	G	Flue Collector Bracket	109008777	1
	H	Condensate Collector Plastic	-	1
	I	Sensor, Vent Temperature	240008227	1
	J	Hose Clamp	-	2
	*	Instructions	240008946	1

* Not Shown

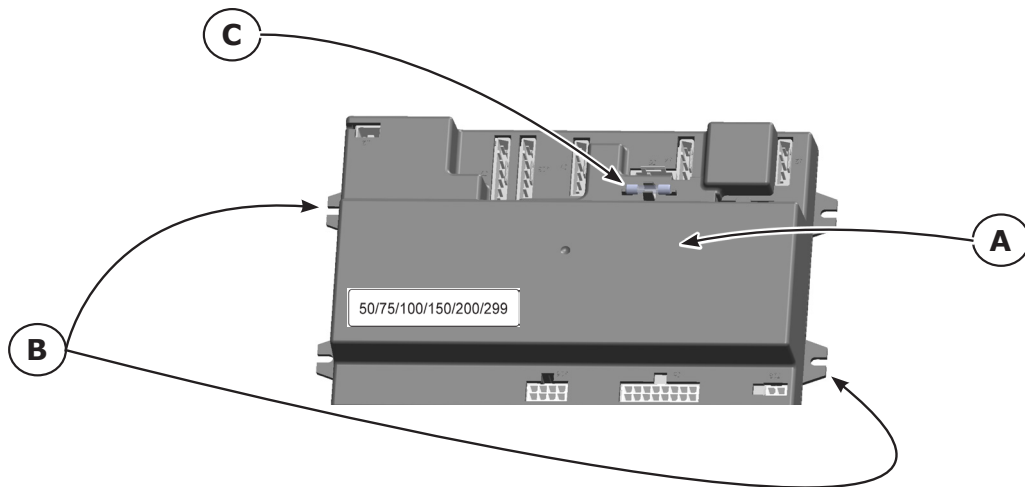
CONDENSATE COLLECTOR KIT 150/200



150/200 Condensate Collector Kit # 550002295				
	ITEM	DESCRIPTION	PART #	QTY
Condensate Collector Kit #550002295 includes all items listed	A	Flexible Coupling	-	1
	B	Cap black vinyl 3/16"	1230006	1
	C	Clamp, Spring Tension	1110001	1
	D	Sensor, Vent Temperature	240008227	1
	E	Hose Barb	1230010	1
	F	O-ring for Condensate Collector	240008699	1
	G	1/4-20 Hex Flange Nut	-	3
	H	Flue Collector Bracket	109008776	1
	I	Condensate Collector Plastic	-	1
	J	Hose Clamp	-	2
	*	Instructions	240008946	1

* Not Shown

CONTROL MODULE KIT

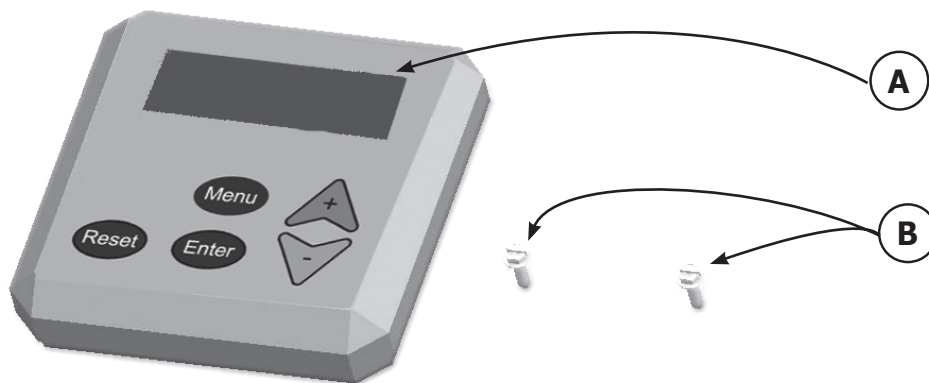


050/075/100/150/200 Control Module Kit # 550002583

	ITEM	DESCRIPTION	PART #	QTY
Control Module Kit #550002583 includes all items listed	A	Control Module	-	1
	B	Screw, 8-32x3/8, HWH, Slot Self Tapping	-	4
	C	Fuse, 3.15A ac, 250V, Slo-Blo Glass 5x20mm (Additional fuse is included with control module on Boiler)	240008665	1
	*	Instructions	240009314	1
* Not Shown				

NOTE: IF BOILER HAS BEEN CONVERTED TO HIGH ALTITUDE - REPLACE EXISTING CONTROL WITH HIGH ALTITUDE KIT ONLY. SEE PAGE 18.

USER INTERFACE KIT



050/075/100/150/200 User Interface Kit # 550002299

	ITEM	DESCRIPTION	PART #	QTY
User Interface Kit #550002299 includes all items listed	A	User Interface Control	-	1
	B	Screw, 8-32 x 1/2" Type B	-	2
	*	Instructions	240008930	1
* Not Shown				

WIRE HARNESS KITS

050/075/100 Wire Harness Kit # 550002953

	DESCRIPTION	PART #	QTY
Wire Harness Kit #550002953 includes all items listed	Main Boiler Wiring Assembly Harness	-	1
	User Interface Wiring Harness	-	1
	Screw, 6x3/8, Type B HPH, SZN	-	2
	Screw, 8-32x5/16, Self Tapping, Ground, Green	-	1
	Clip,Term Blk,Heyco,9299	-	6
	Instructions	240010638	1

150/200 Wire Harness Kit # 550002954

Wire Harness Kit #550002954 includes all items listed	Main Boiler Wiring Assembly Harness	-	1
	User Interface Wiring Harness	-	1
	Screw, 6x3/8, Type B HPH, SZN	-	2
	Screw, 8-32x5/16, Self Tapping, Ground, Green	-	1
	Clip,Term Blk,Heyco,9299	-	6
	Instructions	240010638	1

HEAT EXCHANGER SURFACE TEMPERATURE SWITCH KITS

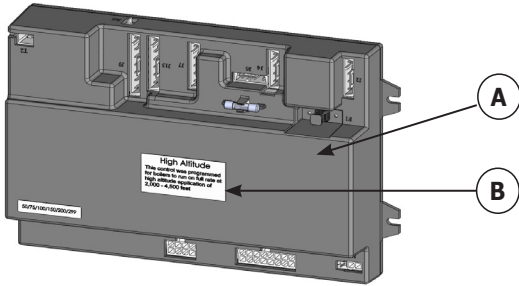
Heat Exchanger Surface Temperature Switch 50/75/100 Kit #550002554			
	DESCRIPTION	PART #	QTY
Wire Harness Kit #550002554 includes all items listed	Temperature Switch Bracket 50/75/100	-	1
	Temperature Switch L300-40F	240009508	1
	Wire Harness, Temperature Switch	-	1
	Instructions	240009568	1
Heat Exchanger Surface Temperature Switch 150/200 Kit #550002555			
Wire Harness Kit #550002555 includes all items listed	Temperature Switch Bracket 150/200	-	1
	Temperature Switch L300-40F	240009508	1
	Wire Harness, Temperature Switch	-	1
	Instructions	240009568	1

GAS CONVERSION KITS

050 Gas Conversion Kit # 550002303			
	DESCRIPTION	PART #	QTY
Conversion Kit #550002303 includes all items listed	Orifice, LP, 3.8mm	-	1
	Label, "Converted By"	-	2
	Label, "Nat to LP" conversion plate	-	1
	Label, "LP to Nat" conversion plate	-	1
	Instructions	240008957	1
075 Gas Conversion Kit # 550002304			
	DESCRIPTION	PART #	QTY
Conversion Kit #550002304 includes all items listed	Orifice, LP, 3.9mm	-	1
	Label, "Converted By"	-	2
	Label, "Nat to LP" conversion plate	-	1
	Label, "LP to Nat" conversion plate	-	1
	Instructions	240008957	1
100 Gas Conversion Kit # 550002305			
	DESCRIPTION	PART #	QTY
Conversion Kit #550002305 includes all items listed	Orifice, LP, 4.6mm	-	1
	Label, "Converted By"	-	2
	Label, "Nat to LP" conversion plate	-	1
	Label, "LP to Nat" conversion plate	-	1
	Instructions	240008957	1
150 Gas Conversion Kit # 550002306			
	DESCRIPTION	PART #	QTY
Conversion Kit #550002306 includes all items listed	Orifice, LP, 5.4mm	-	1
	Label, "Converted By"	-	2
	Label, "Nat to LP" conversion plate	-	1
	Label, "LP to Nat" conversion plate	-	1
	Instructions	240008957	1
200 Gas Conversion Kit # 550002307			
	DESCRIPTION	PART #	QTY
Conversion Kit #550002307 includes all items listed	Orifice, LP, 5.9mm	-	1
	Label, "Converted By"	-	2
	Label, "Nat to LP" conversion plate	-	1
	Label, "LP to Nat" conversion plate	-	1
	Instructions	240008957	1

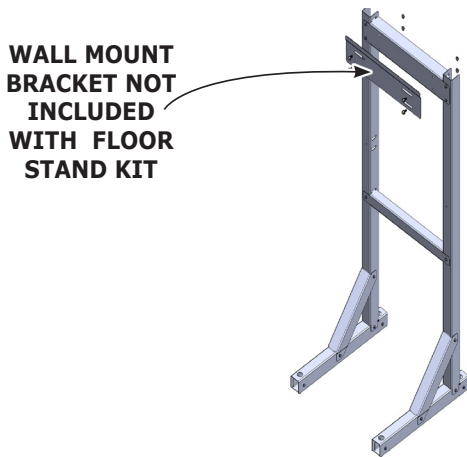
OPTIONAL ACCESSORIES

High Altitude Kit



050/075/100/150 High Altitude Kit # 550002819				
	ITEM	DESCRIPTION	PART #	QTY
High Altitude Kit #550002819 includes all items listed	A	Control Module - High Altitude 2000 - 4500 ft.	-	1
	B	High Altitude label	-	1
	NOT SHOWN	Instructions, High Altitude	240010113	1

Floor Stand Kit



Floor Stand Kit # 240010266			
	DESCRIPTION	PART #	QTY
Floor Stand Kit #240010266 includes all items listed	Left Upright - not interchangeable	-	1
	Right Upright - not interchangeable	-	1
	Base Leg	-	2
	Brace	-	2
	Upper Cross Member	-	1
	Lower Cross Member	-	1
	Base Foot	-	4
	1/4 - 20 x 5/8 Serrated Hex Flange Head Bolt	-	26
	1/4 - 20 Serrated Hex Flange Head Nut	-	26
	5/16 - 18 x 3/4 Serrated Hex Head Bolt	-	4
	5/16 - 18 Serrated Flange Head Nut	-	4
	Instructions, Floor Stand	240010265	1

OPTIONAL ACCESSORIES

Concentric Vent Kits	
DESCRIPTION	PART #
2" Concentric Vent Kit ⁽¹⁾	29570
3" Concentric Vent Kit ⁽²⁾	29571
(1) 2" For use with 050/075/100	
(2) 3" For use with 075-200	

Multi Boiler Sensor Kit # 550002186			
	DESCRIPTION	PART #	QTY
Multi Boiler Sensor Kit #550002186 includes all items listed	Sensor, 12K, NTC, 6x45MM	240008465	1
	Well, 1/2 NPT Copper/Brass	240008466	1
	Sensor Well Lock Clip	240008467	1
	Instructions, Multi Boiler Sensor	240008959	1

Additional Heating Device Connection Kit (ie. Solar, Wood, etc.) Kit # 550002875			
	DESCRIPTION	PART #	QTY
Kit # 550002875 includes all items listed	AR822 Control	Z140C	2
	System Sensor	240008465	1
	System Sensor Well	240008466	1
	Well Clip	240008467	1
	Kit Instructions	240010355	1

MISC. REPLACEMENT PARTS

Replacement Parts		
	DESCRIPTION	PART #
	Igniter Cable 050/075/100/150/200	240008844
	Sight Glass	240008235
	Condensate Trap, Replacement	550002963
	Boiler Drain Valve	240009323
	High Temperature Supply Switch	240008290
	Sensor, Return Water	240008226
	Sensor, Flue	240008227
	Clamp, 1-1/8" Spring Tension for Condensate Assy.	240008406
	Ball Valve 1/2" Female NPT x 5/8", FLR (Gas Shutoff valve)	240008297

Replacement Parts		
	DESCRIPTION	PART #
	***Safety Relief Valve (30 PSI) Conbraco 10-407-05	VR-001.01
	Wall Bracket Sizes 050/075/100	109008079
	Wall Bracket Sizes 150/200	109008347
	Cap Black Vinyl 3/16"	1230006
	Clamp, Spring Tension for Black Vinyl Cap	1110001
	Temperature Switch L300-40F	240009508
	Sensor, Outdoor	240008225
	** Gauge, Temperature Pressure, 2" shank (0 ~ 75 psi)	1260006
	** Gauge, Temperature Pressure, 2" shank (0 ~ 200 psi)	GA00501
	Fuse, 3.15A AC, 250V, Slo-Blo Glass 5x20mm	240008665

MISC. REPLACEMENT PARTS - CONTI.

Replacement Parts		
	DESCRIPTION	PART #
	Relay, 120 VAC, 10 A	240008410
	Latch, Wire Bale, 1-3/8" Gap	240008540
	Hook, Draw Latch	240008541
	Condensate Hose 3/4"OD x 3.75" 050/075/100 mbh	3002228
	Condensate Hose 3/4"OD x 5" 150/200 mbh	3002229

** For low pressure system , use 0~75 psi factory supplied pressure temperature gauge.
For system pressure higher than 60 psi, use optional or field sourced 0~200 psi pressure temperature gauge.

*** For heating system with system pressure high than 25 psi, field source proper Safety relief valve.

QUICK INDEX

KIT NAME	KIT NO.	APPLIED ON MODELS					INSTRUCTION NO.
		50	75	100	150	200	
Additional Heating Device Connection Kit	550002875	✓	✓	✓	✓	✓	240010355
Blower Replacement Kit	550002291	✓	✓	✓			240008943
	550002292				✓		
	550002293					✓	
Burner Replacement Kit	550002276	✓					240008933
	550002277		✓				
	550002278			✓			
	550002279				✓	✓	
Burner Inspection Kit	550002380	✓	✓	✓	✓	✓	240008931
Concentric Vent Kit	29570 (2")	✓	✓	✓			N/A
	29571 (3")	✓	✓	✓	✓	✓	
Condensate Collector Replacement Kit	550002294	✓	✓	✓			240008946
	550002295				✓	✓	
Control Module Replacement Kit	550002583	✓	✓	✓	✓	✓	240009314
Flame Sensor Replacement Kit	550002283	✓	✓	✓			240008593
	550002284				✓	✓	
Floor Stand Kit	240010266	✓	✓	✓	✓	✓	240010265
Gas Valve (Automatic) Replacement Kit	550002329	✓					240008939
	550002285		✓				
	550002286			✓			
	550002287				✓		
	550002288					✓	
Heat Exchanger Surface Temperature Switch Kit	550002554	✓	✓	✓			240009568
	550002555				✓	✓	
Heat Exchanger Replacement Kit	550002271	✓					240008928
	550002272		✓				
	550002273			✓			
	550002274				✓		
	550002275					✓	
High Altitude Kit	550002819	✓	✓	✓	✓	✓	240010113
Igniter Replacement Kit	550002190	✓	✓	✓			240008592
	550002282				✓	✓	

QUICK INDEX - CONTI.

KIT NAME	KIT NO.	APPLIED ON MODELS					INSTRUCTION NO.
		50	75	100	150	200	
Jacket Replacement Kit	550003138	✓	✓	✓			N/A
	550003142				✓	✓	
LP Gas Conversion Kit	550002303	✓					240008957
	550002304		✓				
	550002305			✓			
	550002306				✓		
	550002307					✓	
Multi Boiler Sensor Kit	550002186	✓	✓	✓	✓	✓	240008959
User Interface Replacement Kit	550002299	✓	✓	✓	✓	✓	240008930
Wire Harness Replacement Kit	550002953	✓	✓	✓			240010638
	550002954				✓	✓	



DUNKIRK BOILERS
2201 Dwyer Avenue, Utica NY 13501
web site: www.ecrinternational.com