



## CONDENSING GAS FIRED WALL MOUNTED BOILER

### **MODELS** **DCB 75/100/125/165** **DCC 115/150/205**

### **PARTS, KITS & OPTIONAL ACCESSORIES**

#### Ordering Instructions

Order Parts through your nearest supplier.

When ordering parts, obtain Model Number and Serial Number from data plate on your boiler.

Include following information when ordering.

Part Number \_\_\_\_\_

Part Description \_\_\_\_\_

Boiler Model Number \_\_\_\_\_

Boiler Serial Number \_\_\_\_\_



**ECR** international

Manufactured by:  
ECR International Inc.  
2201 Dwyer Avenue, Utica, NY 13501  
Tel. 800 325 5479  
[www.ecrinternational.com](http://www.ecrinternational.com)  
PN 240013502 REV. B [08/01/2022]

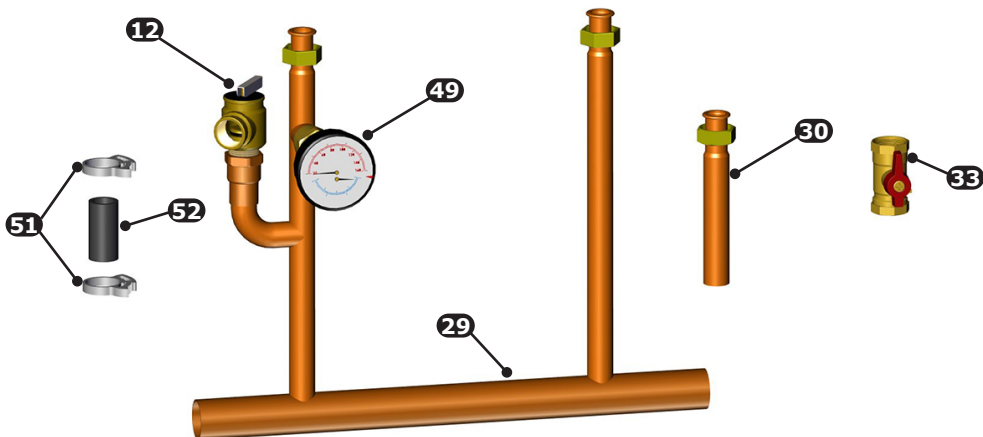
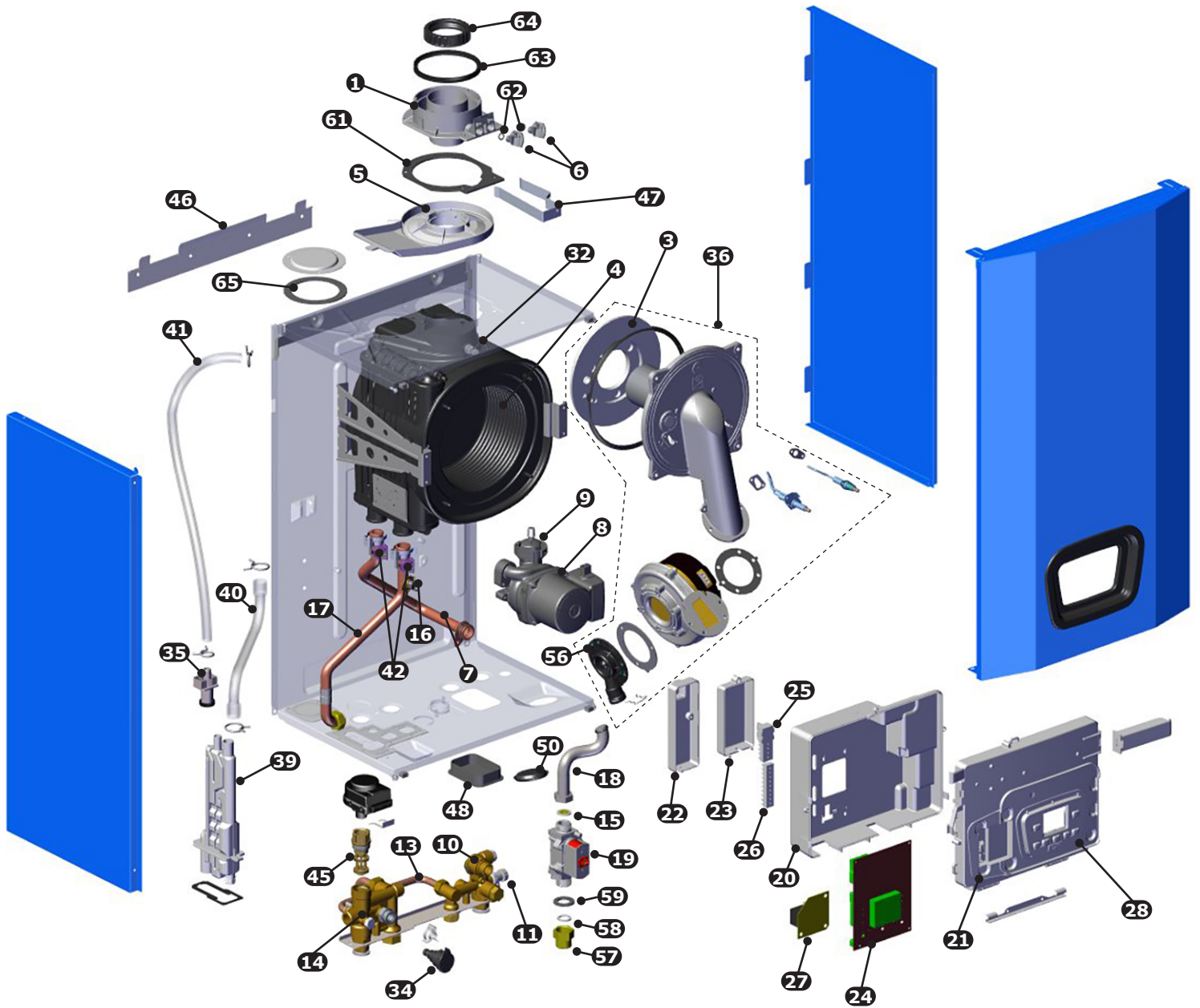
# TABLE OF CONTENTS

PAGE	DESCRIPTION	MODEL SIZE					
		75/100	115	125	150	165	205
<b>3</b>	100 EXPLODED VIEW	●					
<b>4</b>	115 EXPLODED VIEW		●				
<b>5</b>	125 EXPLODED VIEW			●			
<b>6</b>	150 EXPLODED VIEW				●		
<b>7</b>	165 EXPLODED VIEW					●	
<b>8</b>	205 EXPLODED VIEW						●
<b>9-11</b>	PARTS LISTING	●	●	●	●	●	●
<b>12</b>	VENTING CONVERSION KITS	●	●	●	●	●	●
<b>12</b>	FRONT JACKET KITS	●	●	●	●	●	●
<b>12</b>	RIGHT SIDE JACKET KITS	●	●	●	●	●	●
<b>12</b>	LEFT SIDE JACKET KITS	●	●	●	●	●	●
<b>13</b>	HEAT EXCHANGER GASKET REPLACEMENT KITS	●	●	●	●	●	●
<b>14</b>	BURNER REPLACEMENT KITS	●	●	●	●	●	●
<b>15</b>	GAS VALVE REPLACEMENT KITS	●	●	●	●	●	●
<b>16</b>	SIGHT GLASS REPLACEMENT KITS	●	●	●	●	●	●
<b>16</b>	IGNITER REPLACEMENT KIT	●	●	●	●	●	●
<b>16</b>	FLAME SENSOR REPLACEMENT KITS	●	●	●	●	●	●
<b>17</b>	FAN REPLACEMENT KIT	●	●	●	●		
<b>18</b>	FAN REPLACEMENT KIT					●	●
<b>19</b>	DHW PLATE REPLACEMENT EXCHANGER KITS		●		●		●
<b>20</b>	THREE WAY VALVE MOTOR REPLACEMENT KITS	●	●	●	●		●
<b>21</b>	DHW TEMPERATURE SENSOR REPLACEMENT KITS		●		●		●
<b>21</b>	DHW SENSOR REPLACEMENT KIT FOR INDIRECT STORAGE TANK			●		●	
<b>22</b>	PCB/CONTROL REPLACEMENT KIT	●	●	●	●	●	●
<b>22</b>	SERVICE KEY REPLACEMENT KIT	●	●	●	●	●	●
<b>22</b>	COMBUSTION CHAMBER CLEANING KIT	●	●	●	●	●	●
<b>23</b>	FLUE GASKET REPLACEMENT KITS	●	●	●	●	●	●
<b>23</b>	FLUE ADAPTER REPLACEMENT KITS			●	●	●	●
<b>24</b>	FLUE ADAPTER REPLACEMENT KITS	●	●				
<b>24</b>	SEALS, CLIPS, ETC, KIT	●	●	●	●	●	●

*Note: Individual items included with Kits may be ordered separately.*

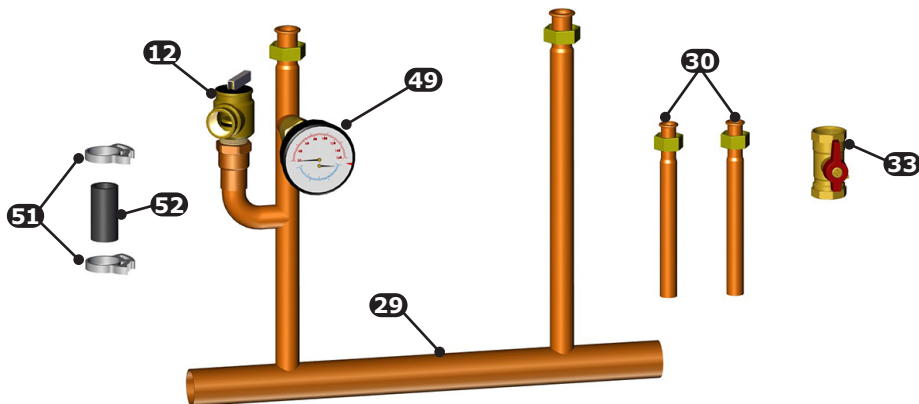
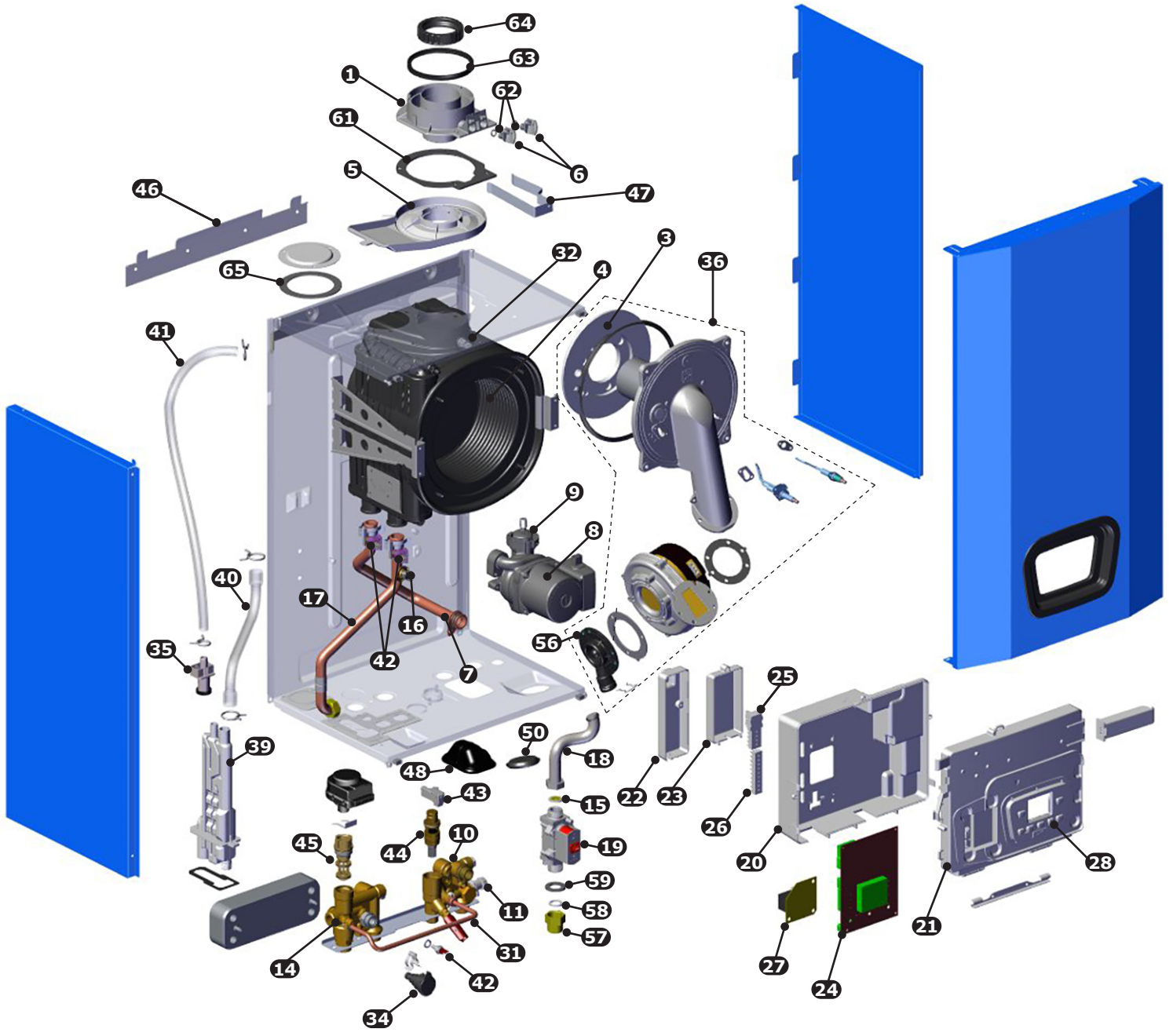
# PARTS AND ACCESSORIES

DCB-75/100



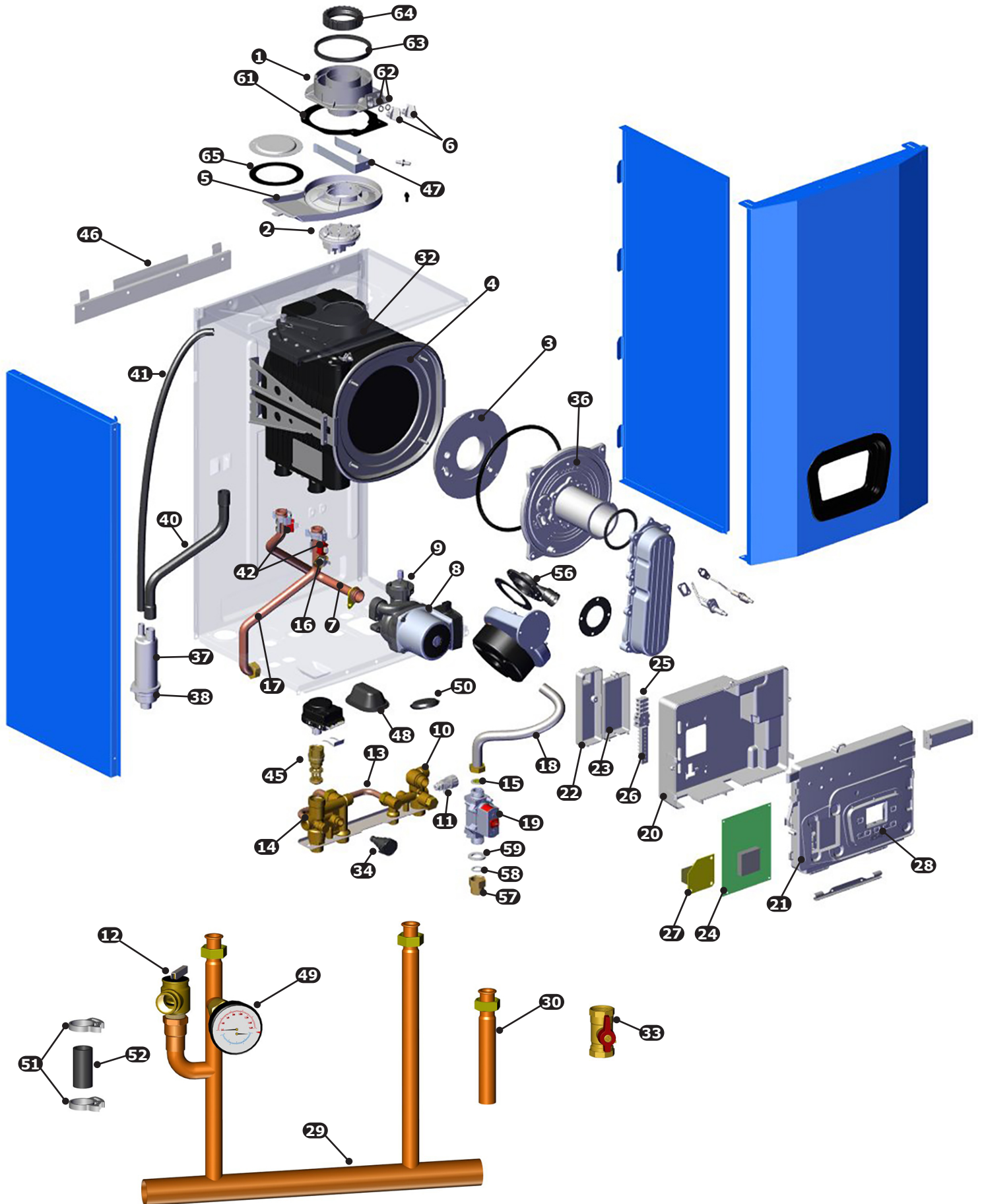
# PARTS AND ACCESSORIES

DCC-115



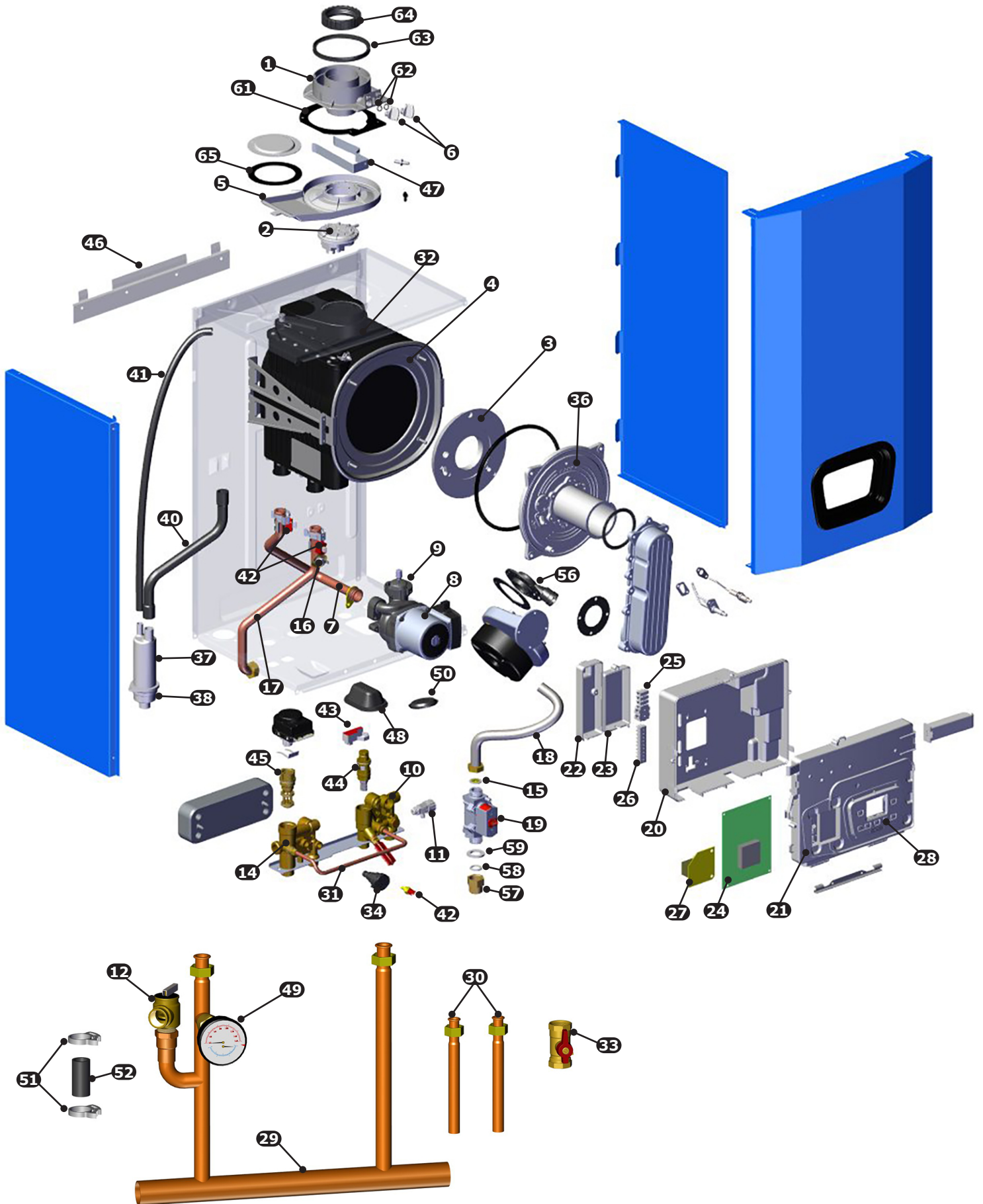
# PARTS AND ACCESSORIES

DCB-125



# PARTS AND ACCESSORIES

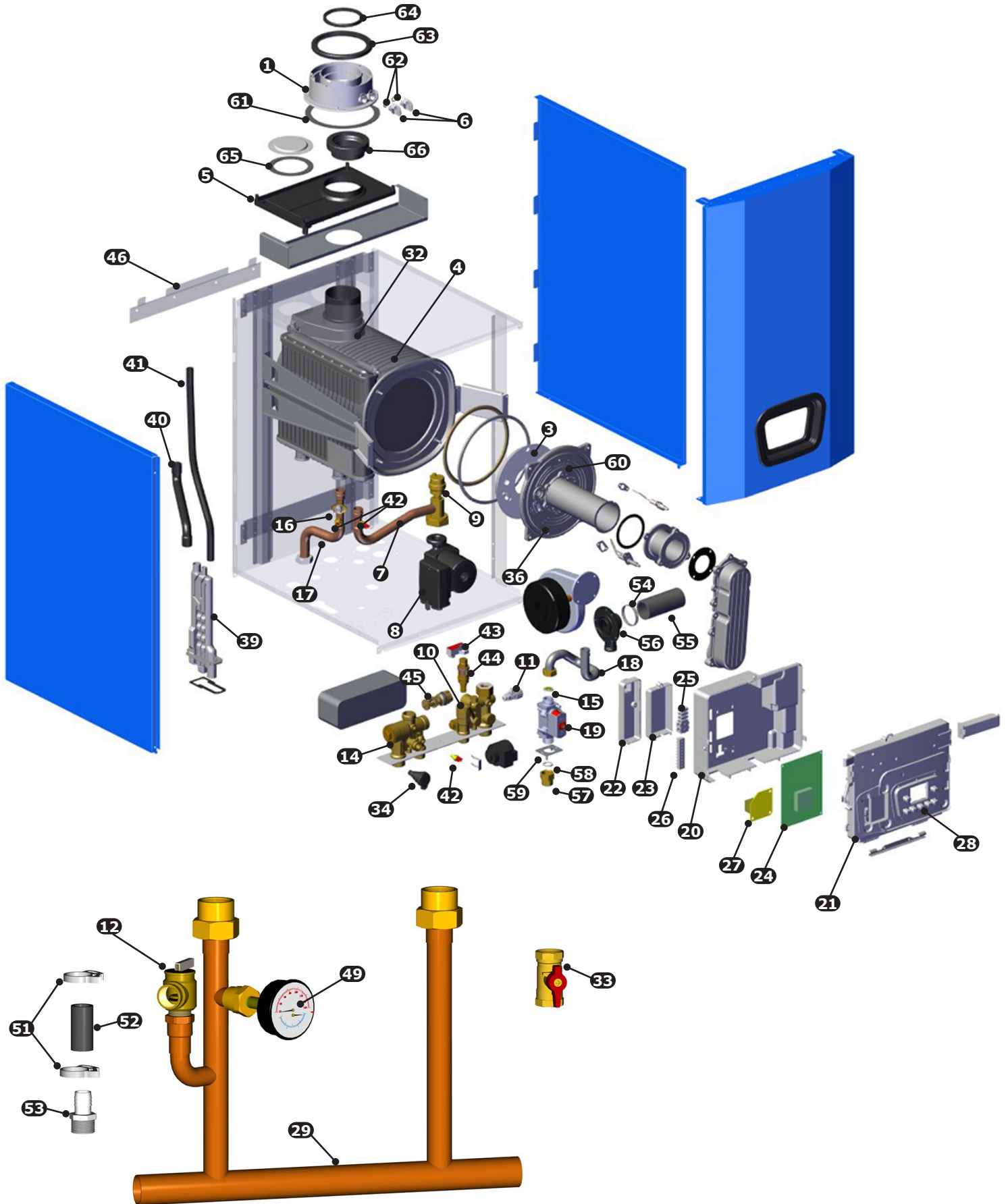
## DCC-150





# PARTS AND ACCESSORIES

DCC-205



## PARTS AND ACCESSORIES

ITEM	PN	DESCRIPTION	DCB 75/100	DCC 115	DCB 125	DCC 150	DCB 165	DCC 205
1	BD710107504	FLUE ADAPTOR 100/115	●	●				
	BD711085102V	FLUE ADAPTOR 125/150			●	●		
	BD000005670522	FLUE ADAPTER 165/205					●	●
2	<a href="#">BD000005679722</a>	FLUE PRESSURE SWITCH 400-350PA			●	●		
3	BD767600801V	INSULATION PANEL (HEAT EXCHANGER DOOR)	●	●				
	<a href="#">BD710111601V</a>	HEAT EXCHANGER DOOR INSULATION			●	●	●	●
4	BD767081702	HEAT EXCHANGER 115	●	●				
	BD711447001V	HEAT EXCHANGER 125/150			●	●		
	BD767801501V	HEAT EXCHANGER 165/205					●	●
*	BD710283700	HEAT EXCHANGER REAR INSULATION	●	●	●	●	●	●
5	BD710282302V	CONDENSING WATER COLLECTOR	●	●	●	●		
	BD767553501V	CONDENSING WATER COLLECTOR					●	●
6	BD7718578	TEST POINT PLUG	●	●	●	●	●	●
7	<a href="#">BD711425802V</a>	PUMP/EXCHANGER PIPE ASSEMBLY	●	●	●	●		
	BD766949001V	PUMP/EXCHANGER PIPE ASSEMBLY						●
	BD767944701V	PUMP/EXCHANGER PIPE ASSEMBLY					●	
8	<a href="#">BD710786502V</a>	PUMP UPR 120V	●	●	●	●		
	BD722354801V	PUMP UPR 120V					●	●
9	BD710493600	AIR VENT PUMP	●	●	●	●		
	BD710715302V	AIR VENT PUMP					●	●
10	550004282	KIT,RET BLK,115		●				
	550004283	KIT,RET BLK,150				●		
	550004284	KIT,RET BLK,125	●		●			
	240012164	RETURN BLOCK ASSY						●
	BD711238101V	RETURN BLOCK ASSY					●	
11	<a href="#">BD710188101V</a>	DRAIN TAP	●	●	●	●	●	●
12	<a href="#">VR-001.01</a>	30 PSI PRESSURE RELIEF VALVE	●	●	●	●	●	●
13	<a href="#">BD710267001V</a>	BY-PASS PIPE ASSY	●		●			
14	550003878	KIT,SUPPLY BLOCK/3WV		●		●		
	550003877	KIT,SUPPLY BLOCK/3WV	●		●			
	550003879	KIT,SUPPLY BLOCK/3WV						●
	BD711237001V	SUPPLY BLOCK ASSY 165 (NPL,G1"X1"NPT)					●	
15	BD7104583	GAS NOZZLE 4.6 MM ORIFICE	●	●				
	<a href="#">BD710458501V</a>	GAS NOZZLE 5.8 MM ORIFICE			●	●		
	BD768414801V	GAS NOZZLE 9 MM ORIFICE					●	●
16	BD768155501V	TEMP SENSOR / HIGH LIMIT	●	●				
	<a href="#">BD710626001V</a>	TEMP SENSOR / HIGH LIMIT			●	●	●	●
17	240013233	PIPE HTEX SUPPLY	●	●				
	BD711425902V	PIPE HTEX SUPPLY			●	●		
	BD766948901V	PIPE HTEX SUPPLY						●
	BD767944601V	PIPE HTEX SUPPLY					●	
18	<a href="#">BD711007101V</a>	FLEXIBLE GAS PIPE	●	●	●	●		
	BD769059001V	FLEXIBLE GAS PIPE					●	●
19	BD766630601V	GAS VALVE B&P SGV100	●	●	●	●	●	●
20	<a href="#">BD711075102V</a>	CONTROL PANEL COVER REAR	●	●	●	●	●	●
21	<a href="#">BD711074801V</a>	CONTROL PANEL COVER FRONT	●	●	●	●	●	●
22	<a href="#">BD711075601V</a>	TERMINAL BLOCK COVER	●	●	●	●	●	●
23	<a href="#">BD711075801V</a>	COVER CLIP-IN	●	●	●	●	●	●

\* NOT SHOWN

## PARTS AND ACCESSORIES

ITEM	PN	DESCRIPTION	DCB 75/100	DCC 115	DCB 125	DCC 150	DCB 165	DCC 205
24	550004286	KIT, RPLMT, CTRL, 0-10V	●	●	●	●	●	●
25	BD000005688441	5 PLOE TERMINAL BLOCK W/ DOUBLE FUSES AND HOLDERS	●	●	●	●	●	●
26	BD710117901V	10 PLOE TERMINAL BLOCK	●	●	●	●	●	●
*	BD710117601V	GROUND TERMINAL (6-POSITION)	●	●	●	●	●	●
*	BD5405340V	FUSE HOLDER	●	●	●	●	●	●
*	BD8422730V	FUSE 3,15A 250V	●	●	●	●	●	●
27	BD5677892	120V INTERFACE BOARD	●	●	●	●	●	●
28	BD710126301V	7 BUTTON KEYPAD	●	●	●	●	●	●
29	550003365	MANIFOLD, DHW PIPES, & GASKETS		●		●		
	550003366	MANIFOLD, INDIRECT PIPE, & GASKETS	●		●			
	240012978	MANIFOLD CONNECTION ASSEMBLY						●
	240011771	MANIFOLD CONNECTION ASSEMBLY					●	
30	240011780	ASSY,PIPE,G1/2" TO 1/2"SWT		●		●		
	240011779	ASSY,PIPE,G3/4" TO 3/4"SWT	●		●			
31	BD711052301V	FILLING PIPE		●		●		
32	BD711180100	NTC SENSOR FLUE 20K Ω	●	●	●	●	●	●
33	BD000005643331	GAS SHUTOFF VALVE	●	●	●	●	●	●
34	BD710109101V	PRESSURE SENSOR WATER	●	●	●	●	●	●
35	BD7771646	CONDENSATE SENSOR	●	●				
36	550004161	HEAT EXCHANGER ALUMINUM DOOR W/ BURNER ASSY	●	●				
	BD711407900	HEAT EXCHANGER ALUMINUM DOOR			●	●		
	BD766847401V	HEAT EXCHANGER ALUMINUM DOOR					●	●
37	BD710016703V	SIPHON BODY (CONDENSATE COLLECTION)			●	●		
38	BD710522301V	CONDENSATE TRAP BOWL			●	●		
39	BD7771640	CONDENSATE TRAP	●	●				
	BD765674901V	CONDENSATE TRAP					●	●
40	240013225	HOSE EXCHANGER / COND TRAP	●	●				
	BD710066102V	HOSE EXCHANGER / COND TRAP			●	●		
	BD766859301V	HOSE EXCHANGER / COND TRAP					●	●
41	240013224	HOSE CONDENSATE TRAY TO TRAP	●	●				
	BD710066001V	HOSE CONDENSATE TRAY TO TRAP			●	●		
	BD766859801V	HOSE CONDENSATE TRAY TO TRAP					●	●
42	BD722143801V	TEMPERATURE SENSOR - CLIP ON 10K Ω	●	●	●	●		
	550003159	TEMPERATURE SENSOR - WELL MOUNT 10K Ω					●	●
43	BD710189401V	FLOW DETECTOR		●		●		●
44	BD76748600	FLOW METER TURBINE/INLET FILTER/FLOW RESTRICTOR		●				
	BD767486200	FLOW METER TURBINE/INLET FILTER/FLOW RESTRICTOR				●		
	240012782	FLOW METER TURBINE/INLET FILTER						●
45	BD7726370	3 WAY VALVE CARTRIDGE	●	●	●	●		●
46	109009874	WALL MOUNT BRACKET	●	●	●	●	●	●
47	BD711085501V	FLUE SUPPORT BRACKET	●	●	●	●		
48	BD710156201V	SEAL FILLING TAP		●		●		
	BD721583002V	SEAL FILLING TAP	●		●			
49	1260006SP	PRESSURE/TEMPERATURE GAUGE	●	●	●	●	●	●
50	240011392	PLUG, 49MM	●	●	●	●		
51	240013465	SNAP GRIP CLAMP	●	●	●	●	●	●
52	BD710079501V	CONDENSATE DISCHARGE PIPE	●	●	●	●	●	●
53	240008838	COUPLING 3/4"NPT X 3/4" BARB					●	●


\* NOT SHOWN

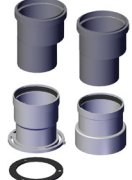
## PARTS AND ACCESSORIES

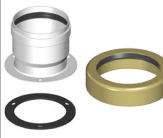
ITEM	PN	DESCRIPTION	DCB 75/100	DCC 115	DCB 125	DCC 150	DCB 165	DCC 205
54	240011916	HOSE CLAMP					●	●
55	240011913	SILENCER HOSE					●	●
56	240013119	MIXER 100/115 PL30	●	●				
	BD710458104V	MIXER 125/150 PL30			●	●		
	BD7731657	MIXER 165/205 B&P,402					●	●
57	BD722270601V	GAS VALVE ADAPTER	●	●	●	●	●	●
58	<a href="#">BD710113001V</a>	GAS VALVE ADAPTER GASKET	●	●	●	●	●	●
59	<a href="#">BD710039501V</a>	GAS VALVE FRAME GASKET	●	●	●	●		
	BD721567101V	GAS VALVE FRAME GASKET					●	●
60	BD711427701V	BURNER DOOR SAFETY THERMOSTAT					●	●
61	<a href="#">BD710107601V</a>	FLUE ADAPTER GASKET	●	●	●	●		
	BD000005410712	FLUE ADAPTER SEAL					●	●
62	<a href="#">BD710107801V</a>	O-RING 8.73 X 1.78	●	●	●	●	●	●
63	<a href="#">BD710107101V</a>	FLUE ADAPTER GASKET 100MM	●	●	●	●		
	BD5410860	FLUE ADAPTER GASKET 125MM					●	●
64	<a href="#">BD710107401V</a>	FLUE ADAPTER GASKET 60MM	●	●	●	●		
	BD5410850	FLUE ADAPTER GASKET 80MM					●	●
65	BD7103005V	TWIN PIPE COVER PLATE GASKET	●	●	●	●	●	●
66	BD767373901V	SEAL CONDENSATE TRAY					●	●
WIRING								
*	BD711265102V	120V INTERFACE BOARD WIRE HARNESS	●	●	●	●	●	●
*	<a href="#">BD000008417651</a>	POWER CABLE UL-CSA	●	●	●	●	●	●
*	BD710993801V	SPARK GROUND CABLE X2	●	●	●	●	●	●
*	240013276	CONDENSATE TRAP TO GROUND LUG	●	●				
*	BD7771648	FLAME SENSOR CABLE X1	●	●				
*	<a href="#">BD710127501V</a>	FLAME SENSOR CABLE X1			●	●	●	●
*	<a href="#">BD710992901V</a>	REMOTE CONTROL CABLE (OPEN THERM) X31	●	●	●	●	●	●
*	<a href="#">BD710993001V</a>	GAS VALVE POWER CABLE X36	●	●	●	●	●	●
*	<a href="#">BD710993101V</a>	LOW VOLTAGE HARNESS X22		●		●		
*	<a href="#">BD710993901V</a>	LOW VOLTAGE HARNESS X22	●		●			
*	BD768189701V	LOW VOLTAGE HARNESS X22					●	
*	BD767076201V	LOW VOLTAGE HARNESS X22						●
*	<a href="#">BD710993201V</a>	FAN PWM HARNESS X23	●	●	●	●		
*	BD767084501V	FAN PWM HARNESS X23					●	●
*	<a href="#">BD710993301V</a>	LINE VOLTAGE HARNESS (3 WAY VALVE/PUMP/FAN) X11/X13	●	●	●	●		
*	BD768348801V	FAN POWER CABLE X11					●	●
*	BD768348701V	PUMP HARNESS X13						●
*	<a href="#">BD710993405V</a>	PCB POWER CABLE X3/X10	●	●	●	●	●	●
*	BD7732244	OUTDOOR/0-10V/DHW/FLUE SENSOR HARNESS X20	●		●			
*	BD7676183	OUTDOOR/0-10V/DHW/FLUE SENSOR HARNESS X20		●		●		
*	240012775	OUTDOOR/0-10V/DHW/FLUE SENSOR HARNESS X20						●
*	240012824	OUTDOOR/0-10V/TANK/FLUE SENSOR HARNESS X20					●	
*	BD7771643	CABLE SAFETY THERMOSTAT X37	●	●				
*	<a href="#">BD710993702V</a>	CABLE SAFETY THERMOSTAT X37			●	●		
*	BD768243201V	CABLE SAFETY THERMOSTAT X37					●	●
*	<a href="#">BD711065801V</a>	NTC FLUE SENSOR CABLE	●	●	●	●	●	●
*	BD711250601V	IGNITION CABLE	●	●	●	●	●	●
* NOT SHOWN								

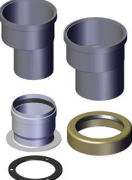
# VENTING & JACKET REPLACEMENT KITS

## VENTING CONVERSION KITS

Concentric to Polypropylene			
PN	DESCRIPTION	MODEL SIZE	
	KHG714059113	TO CONVERT FROM CONCENTRIC TO 3 in TWIN PIPE POLYPROPYLENE	75-150

Concentric to CPVC			
PN	DESCRIPTION	MODEL SIZE	
	550003184	TWIN PIPE ADAPTER 60 mm TO 3 in CPVC	75-150

Concentric to Polypropylene			
PN	DESCRIPTION	MODEL SIZE	
	KHG714089010	TO CONVERT FROM CONCENTRIC TO 3 in TWIN PIPE POLYPROPYLENE	165 & 205

Concentric to CPVC			
PN	DESCRIPTION	MODEL SIZE	
	550003403	TWIN PIPE ADAPTER 60 mm TO 3 in CPVC	165 & 205

**Note: For 2 in venting a 3 in x 2 in reducer must be field supplied.**

## JACKET KITS

Kit 550003161 - Front Jacket Replacement 75 - 205 - Includes:							
DESCRIPTION	QTY PER	75/100	115	125	150	165	205
FRONT PANEL	1	●	●	●	●	●	●

**75/100/115/125/150**

Kit 550003163 - Left Side Jacket Replacement 75 - 150 - Includes:					
DESCRIPTION	QTY PER	75/100	115	125	150
LEFT SIDE PANEL	1	●	●	●	●

Kit 550003165 - Right Side Jacket Replacement 75 - 150 - Includes:					
DESCRIPTION	QTY PER	75/100	115	125	150
RIGHT SIDE PANEL	1	●	●	●	●

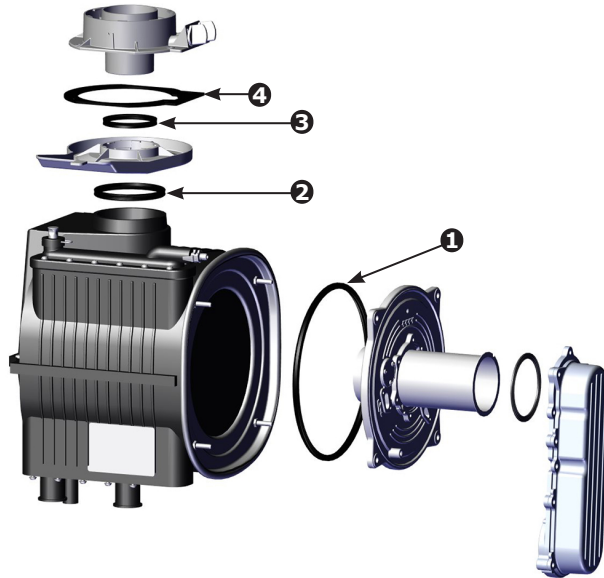
**165/205**

Kit 550003477 - Left Side Jacket Replacement 165/205 - Includes:			
DESCRIPTION	QTY PER	165	205
LEFT SIDE PANEL	1	●	●

Kit 550003478 - Right Side Jacket Replacement 165/205 - Includes:			
DESCRIPTION	QTY PER	165	205
RIGHT SIDE PANEL	1	●	●

# HEAT EXCHANGER GASKET REPLACEMENT KITS

75/100/115/125/150

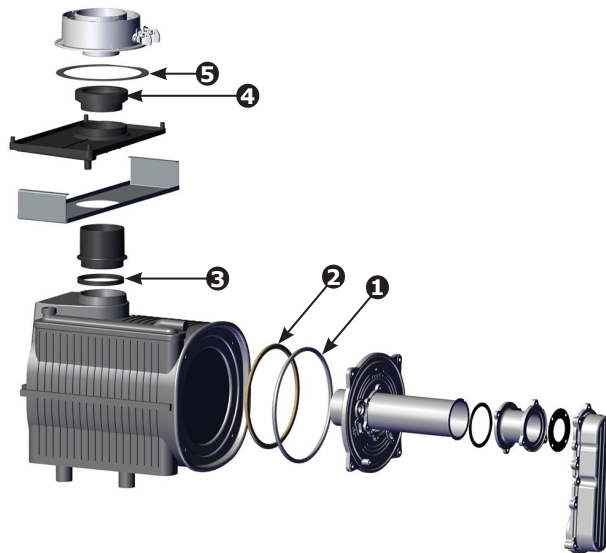


125/150 shown

## Kit 550003156 - Heat Exchanger Gasket Replacement 75/100/115/125/150 - Includes:

POS	PN	DESCRIPTION	QTY PER	75/100	115	125	150
1	<a href="#">BD710111502V</a>	COMBUSTION CHAMBER GASKET	1	●	●	●	●
2	<a href="#">BD710108001V</a>	GASKET WITH DOUBLE LIP (CONDENSATE TRAY)	1	●	●	●	●
3	<a href="#">BD000005411030</a>	GASKET (WATER TRAY TO HEAT EXCHANGER)	1	●	●	●	●
4	<a href="#">BD710107601V</a>	FLUE ADAPTER GASKET	1	●	●	●	●
-	240011402	INSTRUCTIONS	1	●	●	●	●

165/205



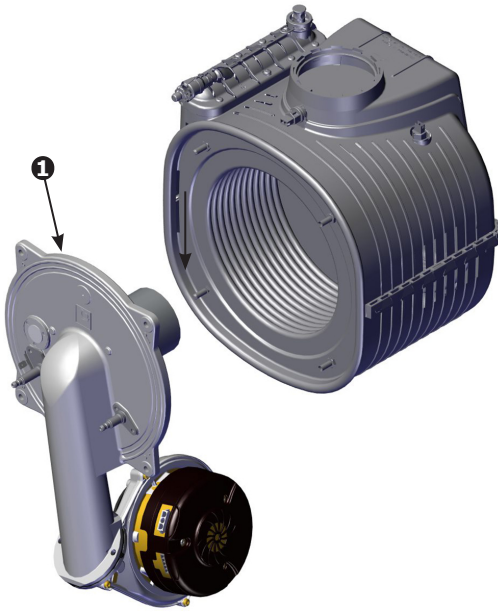
## Kit 550003458 - Heat Exchanger Gasket Replacement 165/205 - Includes:

POS	PN	DESCRIPTION	QTY PER	165	205
1	BD722003801V	COMBUSTION CHAMBER GASKET	1	●	●
2	BD000005212781	ROPE GASKET	1	●	●
3	<a href="#">BD000005411030</a>	GASKET (WATER TRAY TO HEAT EXCHANGER)	1	●	●
4	BD767373901V	CONDENSATE TRAY SEAL	1	●	●
5	BD000005410712	FLUE ADAPTER GASKET	1	●	●
-	240012082	INSTRUCTIONS	1	●	●

\* NOT SHOWN

# BURNER REPLACEMENT KITS

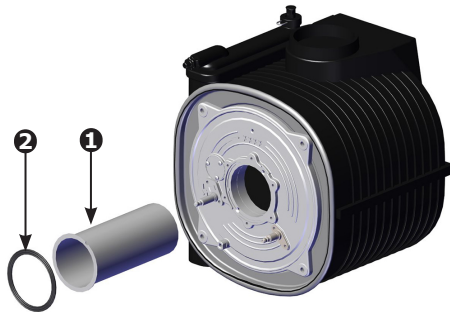
75/100/115



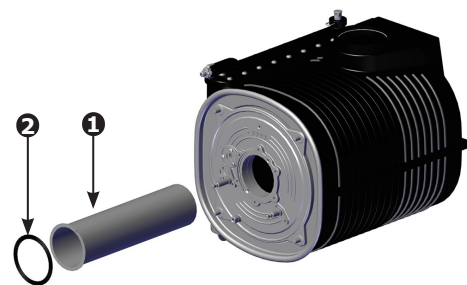
## Kit 550004161 - Burner Replacement 75/100/115 - Includes:

POS	PN	DESCRIPTION	QTY PER	75/100	115
1	BD7771620	BURNER ASSEMBLY	1	●	●
-	240013242	INSTRUCTIONS	1	●	●

125/150



165/205



## Kit 550003155 - Burner Replacement 125/150 Includes:

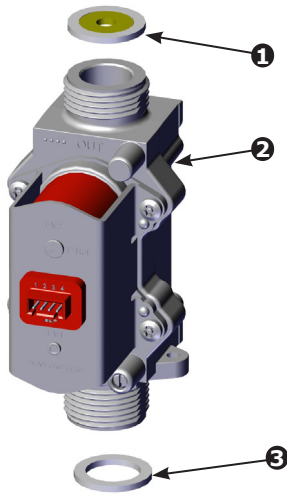
POS	PN	DESCRIPTION	QTY PER	125	150
1	BD7728712	BURNER	1	●	●
2	<a href="#">BD711408002V</a>	BURNER GASKET	1	●	●
-	240011401	INSTRUCTIONS	1	●	●

## Kit 550003456 - Burner Replacement 165/205 Includes:

POS	PN	DESCRIPTION	QTY PER	165	205
1	BD769578001V	55 KW BURNER	1	●	●
2	<a href="#">BD711408002V</a>	BURNER GASKET	1	●	●
-	240011401	INSTRUCTIONS	1	●	●

# GAS VALVE REPLACEMENT KIT

75/100/115/125/150



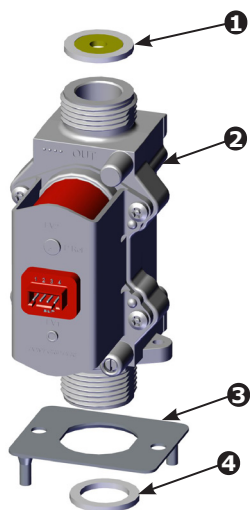
## Kit 550004162 - Gas Valve Replacement 75/100/115 - Includes:

POS	PN	DESCRIPTION	QTY PER	75/100	115
1	BD7104583	GAS ORIFICE 4.6MM DIA	1	●	●
2	BD766630601V	GAS VALVE	1	●	●
3	<a href="#">BD710113001V</a>	GASKET G3/4 17X24X2	1	●	●
*	<a href="#">BD710039501V</a>	HYDRAULIC GROUP GASKET	1	●	●
*	BD710090801V	SCREW M 5X12	2	●	●
-	240013243	INSTRUCTIONS	1	●	●
* NOT SHOWN					

## Kit 550003535 - Gas Valve Replacement 125/150 - Includes:

POS	PN	DESCRIPTION	QTY PER	125	150
1	<a href="#">BD710458501V</a>	GAS ORIFICE 5.8MM DIA	1	●	●
2	BD766630601V	GAS VALVE	1	●	●
3	<a href="#">BD710113001V</a>	GASKET G3/4 17X24X2	1	●	●
*	BD710090801V	SCREW M 5X12	2	●	●
*	<a href="#">BD710039501V</a>	HYDRAULIC GROUP GASKET	1	●	●
-	240012264	INSTRUCTIONS	1	●	●
* NOT SHOWN					

165/205

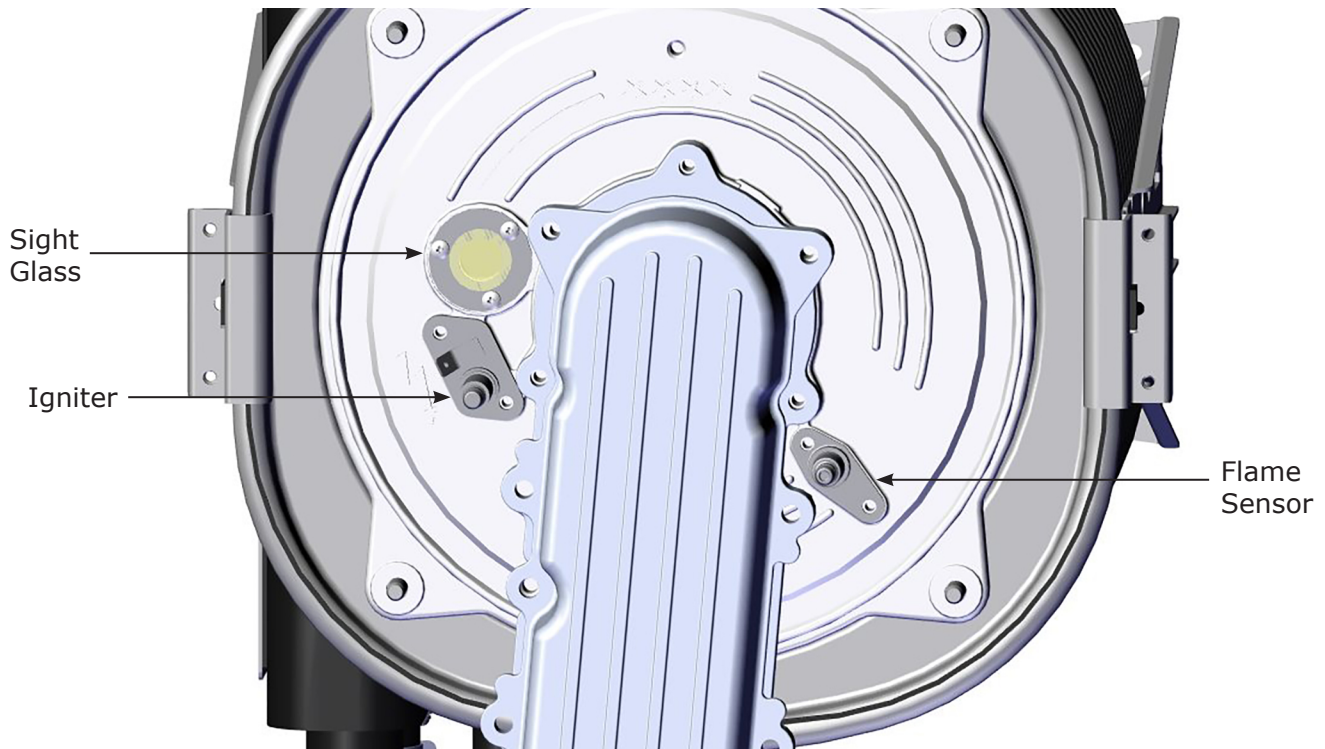


## Kit 550003536 - Gas Valve Replacement 165/205 - Includes:

POS	PN	DESCRIPTION	QTY PER	165	205
1	BD768414801V	GAS NOZZLE 9MM DIA	1	●	●
2	BD766630601V	GAS VALVE	1	●	●
3	BD721567101V	GASKET FOR GAS VALVE	1	●	●
4	<a href="#">BD710113001V</a>	GASKET G3/4 17X24X2	1	●	●
*	BD710090801V	SCREW M5X12 TCEI 8.8	2	●	●
-	240012265	INSTRUCTIONS	1	●	●
* NOT SHOWN					

# SIGHT GLASS, FLAME SENSOR, AND IGNITER REPLACEMENT KITS

75/100/115/125/150/165/205



## Kit 550003157 - Sight Glass Replacement - Includes:

PN	DESCRIPTION	QTY PER	75/100	115	125	165	150	205
<a href="#">BD710112202V</a>	SIGHT GLASS GASKET	1	●	●	●	●	●	●
<a href="#">BD710112101V</a>	SIGHT GLASS	1	●	●	●	●	●	●
240011403	INSTRUCTIONS	1	●	●	●	●	●	●

## Kit 550003152 -Igniter Replacement - Includes:

PN	DESCRIPTION	QTY PER	75/100	115	125	165	150	205
<a href="#">BD711010702V</a>	IGNITER	1	●	●	●	●	●	●
BD710185302V	IGNITER GASKET	1	●	●	●	●	●	●
240012293	3MM WRENCH	1	●	●	●	●	●	●
240011398	INSTRUCTIONS	1	●	●	●	●	●	●

## Kit 550003151 - Flame Sensor Replacement - Includes:

PN	DESCRIPTION	QTY PER	75/100	115	125	165	150	205
BD711010802V	FLAME SENSOR	1	●	●	●	●	●	●
<a href="#">BD710185201V</a>	FLAME SENSOR GASKET	1	●	●	●	●	●	●
240012293	3MM WRENCH	1	●	●	●	●	●	●
240011397	INSTRUCTIONS	1	●	●	●	●	●	●

# FAN REPLACEMENT KIT

75/100/115/125/150



125/150 shown

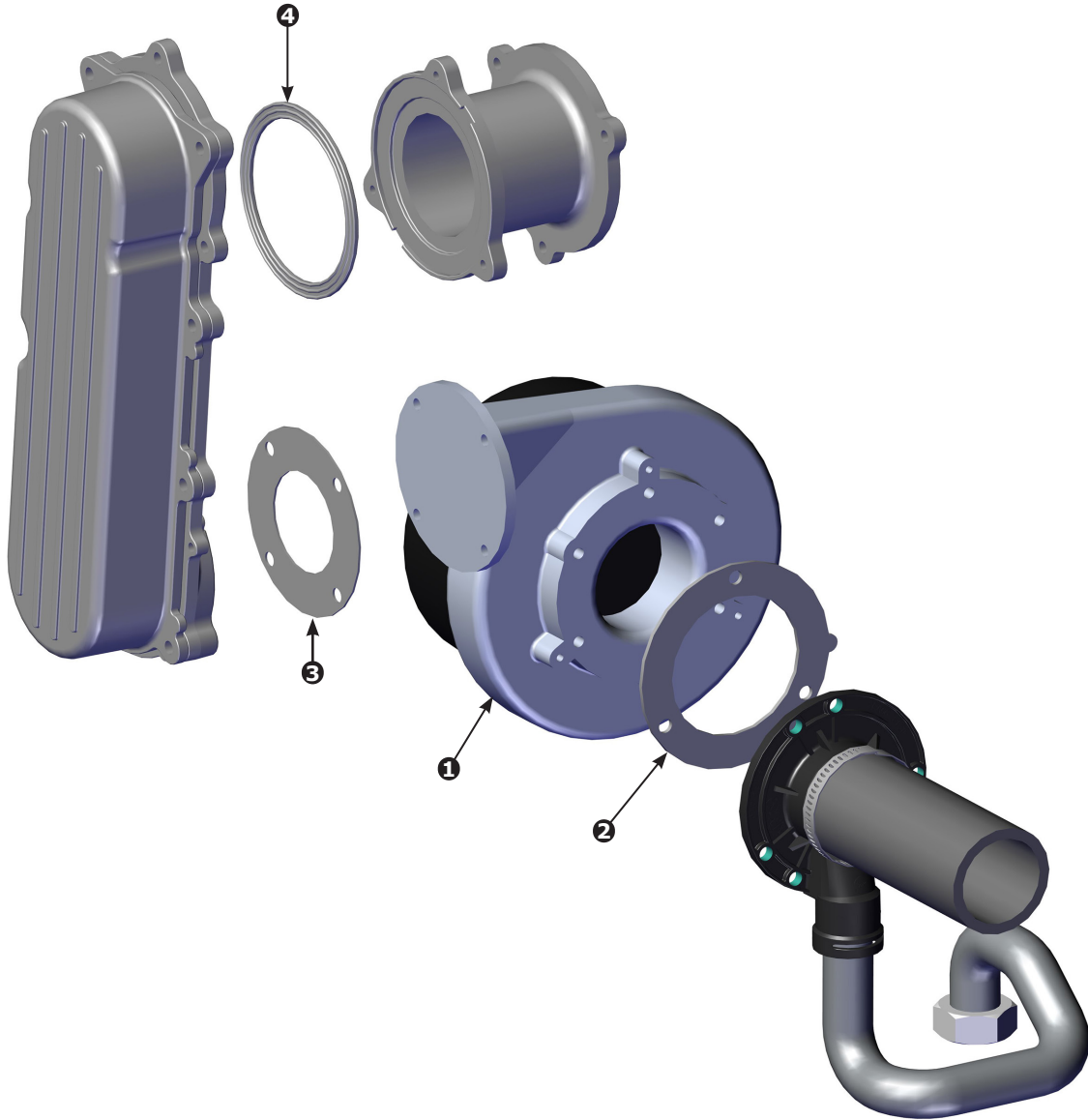
## Kit 550003154 - Replacement Fan 75/100/115/125/150 - Includes:

POS	PN	DESCRIPTION	QTY PER	75/100	115	125	150
1	<a href="#">BD711073902V</a>	FAN NRG 118 115W 120V (INDUCER)	1	●	●	●	●
2	<a href="#">BD710042401V</a>	VENTURI GASKET MIXER TO FAN	1	●	●	●	●
3	<a href="#">BD710115601V</a>	GASKET MIXER TO AIR/GAS DUCT	1	●	●	●	●
4	<a href="#">BD711408002V</a>	BURNER GASKET	1			●	●
*	<a href="#">BD710011401V</a>	GAS PIPE CLIP	1	●	●	●	●
*	<a href="#">BD710061402V</a>	O-RING 18X3 NBR	2	●	●	●	●
-	240011400	INSTRUCTIONS	1	●	●	●	●

\* NOT SHOWN

# FAN REPLACEMENT KIT

165/205

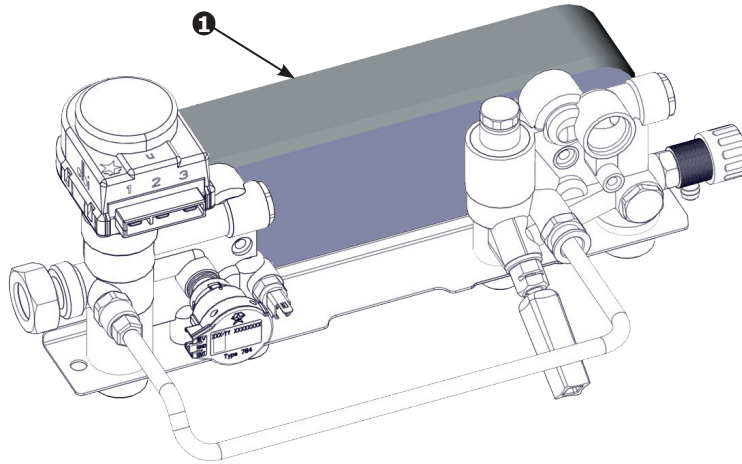


## Kit 55003454 - Replacement Fan 165/205 - Includes:

POS	PN	DESCRIPTION	QTY PER	165	205
1	BD769577901V	FAN NRG 118 115W 120V	1	●	●
2	<a href="#">BD710042401V</a>	VENTURI GASKET MIXER TO FAN	1	●	●
3	BD710115602V	GASKET, MIXER TO AIR/GAS DUCT	1	●	●
4	BD710114502V	SPACER EXTENSION GASKET	1	●	●
*	<a href="#">BD710011401V</a>	GAS PIPE CLIP	1	●	●
*	<a href="#">BD710061402V</a>	O-RING 18X3 NBR	2	●	●
-	240011400	INSTRUCTIONS	1	●	●
* NOT SHOWN					

# DHW PLATE REPLACEMENT KIT WITH GASKETS

115/150



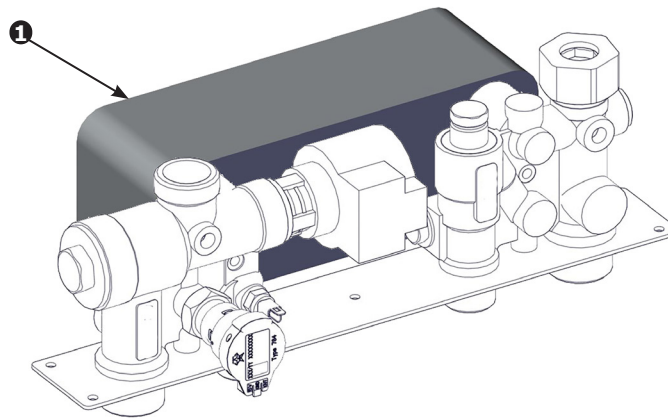
## Kit 550004163 - DHW Plate Heat Exchanger Replacement with Gaskets 115 - Includes:

POS	PN	DESCRIPTION	QTY PER	115
1	BD711612401	DHW PLATE EXCHANGER 14 PLATES	1	●
*	BD722275601V	DHW PLATE EXCHANGER O-RING	4	●
-	240011399	INSTRUCTIONS	1	●
* NOT SHOWN				

## Kit 550003153 - DHW Plate Heat Exchanger Replacement with Gaskets 150 - Includes:

POS	PN	DESCRIPTION	QTY PER	150
1	BD711612501V	DHW PLATE EXCHANGER 20 PLATES	1	●
*	BD722275601V	DHW PLATE EXCHANGER O-RING	4	●
-	240011399	INSTRUCTIONS	1	●
* NOT SHOWN				

205

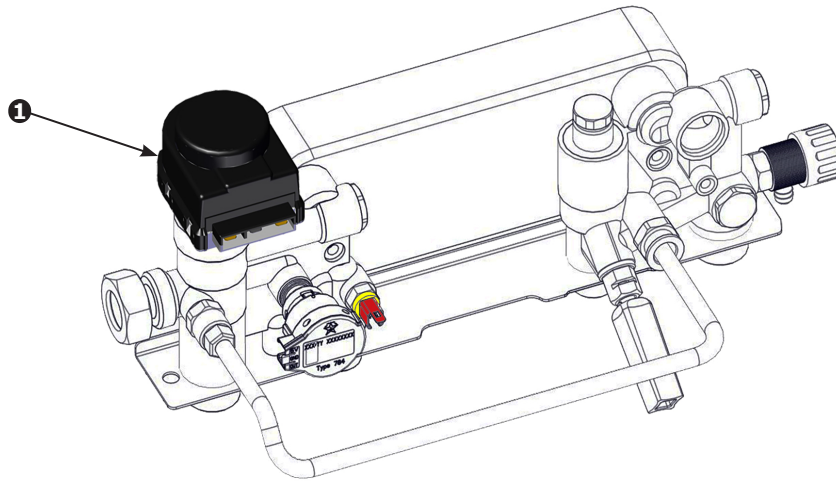


## Kit 550003455 - DHW Plate Heat Exchanger Replacement with Gaskets 205 - Includes:

POS	PN	DESCRIPTION	QTY PER	205
1	240012161	DHW PLATE EXCHANGER 26 PLATES	1	●
*	BD5404520	DHW PLATE EXCHANGER GASKET	4	●
-	240011399	INSTRUCTIONS	1	●
* NOT SHOWN				

## 3 WAY VALVE MOTOR REPLACEMENT KITS

75/100/115/125/150

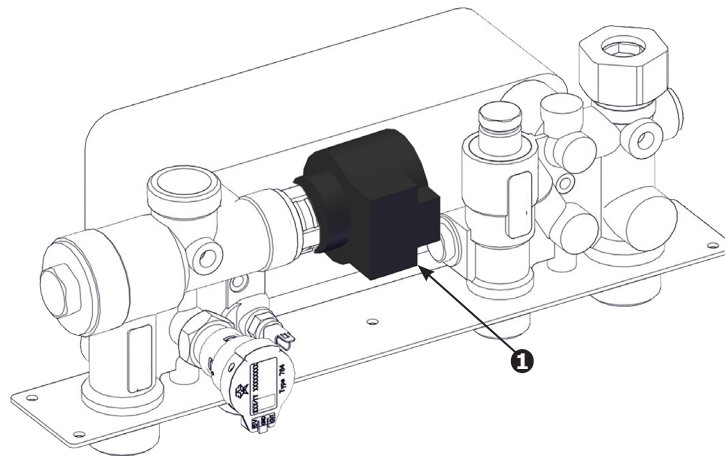


### Kit 550003166 - 3 Way Valve Motor Replacement 75/100/115/125/150 - Includes:

POS	PN	DESCRIPTION	QTY PER	75/100	115	125	150
1	<a href="#">BD000005696391</a>	3 WAY VALVE MOTOR 120V	1	●	●	●	●
*	<a href="#">BD710188501V</a>	BD, FIXING CLIP - 3WAY VALVE MOTOR	1	●	●	●	●
-	240011406	INSTRUCTIONS	1	●	●	●	●

\* NOT SHOWN

205



### Kit 550003460- 3 Way Valve Motor Replacement 205 - Includes:

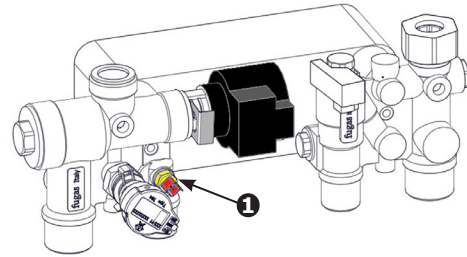
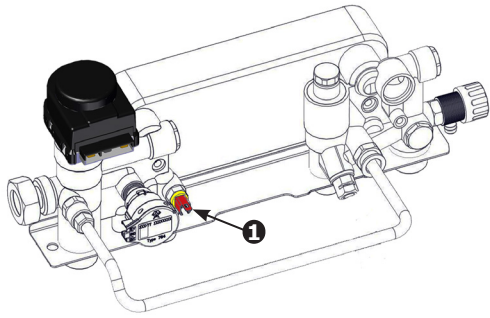
POS	PN	DESCRIPTION	QTY PER	205
1	240012162	3WV MOTOR 110V 205	1	●
*	<a href="#">BD710188501V</a>	CLIP FOR MOTOR	1	●
-	240012116	INSTRUCTIONS	1	●

\* NOT SHOWN

# DHW SENSOR REPLACEMENT KITS

115/150

205



## Kit **550003159** - DHW Temperature Sensor Replacement Kit 115/150-205 - Includes:

POS	PN	DESCRIPTION	QTY PER	115	150	205
1	<a href="#">BD710831501V</a>	NTC SENSOR 10K Ω	1	●	●	●
*	<a href="#">BD710189001V</a>	GASKET 9,7X15X2	1	●	●	●
-	240011405	INSTRUCTIONS	1	●	●	●
* NOT SHOWN						

75/100/125/165

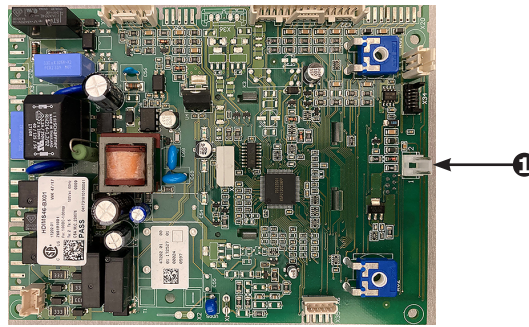


## Kit **550003189** - Indirect Tank DHW Temperature Sensor 75/100/125/165 - Includes:

POS	PN	DESCRIPTION	QTY PER	75/100	125	165
1	<a href="#">KHG714076810</a>	DHW SENSOR 10K Ω	1	●	●	●
*	<a href="#">240008013</a>	SPRING CLIP	1	●	●	●
*	240010821	THERMOPASTE,1OZ	1	●	●	●
-	240011464	INSTRUCTIONS	1	●	●	●
* NOT SHOWN						

## PCB/CONTROL & SERVICE KEY REPLACEMENT KITS

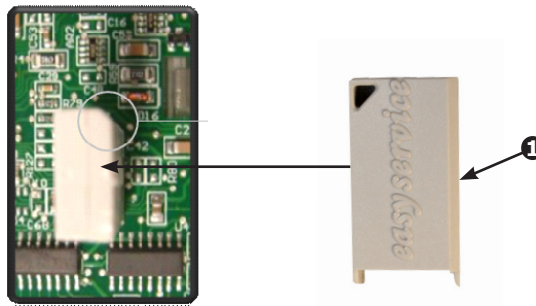
**75/100/115/125/150/165/205**



### Kit **550004286** - PCB/Control Replacement w/o Key - Includes:

POS	PN	DESCRIPTION	QTY PER	75/100	115	125	150	165	205
1	BD7696730	BD,PCB B&P HAGO04-BX04 V2.16 0-10V	1	●	●	●	●	●	●
-	240012706	INSTRUCTIONS	1	●	●	●	●	●	●

**75/100/115/125/150/165/205**



### Kit **550003191** - Service Key Replacement - Includes:

POS	PN	DESCRIPTION	QTY PER	75/100	115	125	150	165	205
1	BD710707701N	SERVICE KEY	1	●	●	●	●	●	●
-	240012706	INSTRUCTIONS	1	●	●	●	●	●	●

## COMBUSTION CHAMBER CLEANING KIT

**75/100/115/125/150/165/205**

### Kit **550003212** - Combustion Chamber Cleaning - Includes:

PN	DESCRIPTION	QTY PER	75/100	115	125	150	165	205
240011636	GLOVE, LATEX, BLK,LRG	4	●	●	●	●	●	●
240011637	SHIELD, HTEX, CLING	1	●	●	●	●	●	●
240011639	BAG, POLY 12"X 26"	4	●	●	●	●	●	●
240011640	BRUSH, 2"X", W HANDLE 1" STIFF BRISTLES	1	●	●	●	●	●	●
<a href="#">BD710111502V</a>	COMB,CHAMBER GASKET	1	●	●	●	●		
BD722003801V	SEAL,HTEX,DOOR, FRONT	1					●	●
BD000005212781	SEAL,FBRGLS,ROPE	1					●	●
<a href="#">BD710061402V</a>	O-RING 18X3 NBR	1	●	●	●	●	●	●
240011648	INSTRUCTIONS	1	●	●	●	●	●	●

## FLUE ADAPTER GASKET REPLACEMENT - KITS

75/100/115/125/150

### Kit 550003851 - Flue Adapter GASKET Replacement 75/100/115/125/150 - Includes:

PN	DESCRIPTION	QTY PER	75/100	115	125	150
<a href="#">BD710107601V</a>	FLUE ADAPTER GASKET	1	●	●	●	●
<a href="#">BD710107401V</a>	FLUE ADAPTER GASKET 60MM	1	●	●	●	●
<a href="#">BD710107101V</a>	FLUE ADAPTER GASKET 100MM	1	●	●	●	●
<a href="#">BD710107801V</a>	O-RING 8.73 X 1.78	2	●	●	●	●
BD7103005V	TWIN PIPE COVER PLATE GASKET	1	●	●	●	●
<a href="#">BD710300601V</a>	TWIN PIPE COVER PLATE	1	●	●	●	●
240011404	INSTRUCTIONS	1	●	●	●	●

165/205

### Kit 550003848 - Flue Adapter GASKET Replacement 165/205 - Includes:

PN	DESCRIPTION	QTY PER	165	205
BD5410850	FLUE ADAPTER GASKET 80MM	1	●	●
BD5410860	FLUE ADAPTER GASKET 125MM	1	●	●
BD000005410712	FLUE ADAPTER SEAL	1	●	●
<a href="#">BD710107801V</a>	O-RING 8.73 X 1.78	2	●	●
BD7103005V	TWIN PIPE COVER PLATE GASKET	1	●	●
<a href="#">BD710300601V</a>	TWIN PIPE COVER PLATE	1	●	●
240011727	INSTRUCTIONS	1	●	●

## FLUE ADAPTER REPLACEMENT - KITS

125/150

### Kit 550003158 - Flue Adapter Replacement 125/150 - Includes:

PN	DESCRIPTION	QTY PER	125	150
<a href="#">BD710107601V</a>	FLUE ADAPTER GASKET	1	●	●
<a href="#">BD710107401V</a>	FLUE ADAPTER GASKET 60MM	1	●	●
<a href="#">BD710107101V</a>	FLUE ADAPTER GASKET 100MM	1	●	●
BD711085102V	FLUE ADAPTER 60/100	1	●	●
BD7718578	TEST POINT PLUG	2	●	●
<a href="#">BD710107801V</a>	O-RING 8.73 X 1.78	2	●	●
BD711088501V	PRESSURE SWITCH CONNECTION FITTING	1	●	●
240011378	TEST POINT LABEL	1	●	●
240011404	INSTRUCTIONS	1	●	●

165/205

### Kit 550003264 - Flue Adapter Replacement 165/205 - Includes:

PN	DESCRIPTION	QTY PER	165	205
BD000005670522	FLUE ADAPTER ASSEMBLY	1	●	●
BD000005410712	FLUE ADAPTER SEAL	1	●	●
BD7718578	TEST POINT PLUG	2	●	●
<a href="#">BD710107801V</a>	O-RING, 8.73X1.78	2	●	●
240011727	INSTRUCTIONS	1	●	●

## FLUE ADAPTER REPLACEMENT - KITS

75/100/115

### Kit 550004164 - Flue Adapter Replacement 75/100/115 - Includes:

PN	DESCRIPTION	QTY PER	75/100	115
<a href="#">BD710107601V</a>	FLUE ADAPTER GASKET	1	●	●
<a href="#">BD710107401V</a>	FLUE ADAPTER GASKET 60MM	1	●	●
<a href="#">BD710107101V</a>	FLUE ADAPTER GASKET 100MM	1	●	●
BD710107504	FLUE ADAPTER 60/100	1	●	●
BD7718578	TEST POINT PLUG	2	●	●
<a href="#">BD710107801V</a>	O-RING 8.73 X 1.78	2	●	●
240011378	TEST POINT LABEL	1	●	●
240013244	INSTRUCTIONS	1	●	●

## SEALS, CLIPS, ETC. - KIT

### Kit 550003150 - Seals, Clips, Etc. - Includes:

PN	DESCRIPTION	QTY PER	75/100	115	125	150	165	205
<a href="#">BD721623501V</a>	FIXING CLIP - (HX SUPPLY & RETURN PIPES)	2	●	●	●	●	●	●
<a href="#">BD710963001V</a>	O-RING 21,5X3 EP7 (SUPPLY PIPE TO CIRC)	2	●	●	●	●		
<a href="#">BD722275601V</a>	O-RING 18.3X3.6 R15 (DHW PLATE)	4		●		●		
BD5404520	DHW PLATE EXCHANGER GASKET	4						●
<a href="#">BD710188902V</a>	FIXING CLIP (PRESSURE SENSOR & BYPASS PIPE)	2	●	●	●	●		●
<a href="#">BD710189001V</a>	GASKET 9,7X15X2 (DHW SENSOR)	1		●		●		●
<a href="#">BD710113601V</a>	GASKET G1/2 AFM (BYPASS PIPE & DHW RETURN CAP)	2	●	●	●	●	●	●
<a href="#">BD710113001V</a>	GASKET G3/4 17X24X2 (BYPASS PIPE & GAS ADAPTOR)	2	●	●	●	●	●	●
<a href="#">BD710188501V</a>	FIXING CLIP - (3WAY VALVE MOTOR)	1	●	●	●	●		
<a href="#">BD710108401V</a>	O-RING 11,91X2,62 (BYPASS PIPE)	1	●		●			
<a href="#">BD000005411331</a>	O-RING 20,24X2,62 (SUPPLY PIPE TO HX)	4	●	●	●	●	●	●
<a href="#">BD710188701V</a>	FIXING SPRING (FILLING PIPE)	1		●		●		
<a href="#">BD710107801V</a>	O-RING 8,73X1,78 (FILLING PIPE & TEST POINT PLUG)	5	●	●	●	●	●	●
<a href="#">BD710039501V</a>	HYDRAULIC GROUP GASKET	5	●	●	●	●		
<a href="#">BD710110901V</a>	O-RING 40,95X2,62 (CONDENSATE TRAP BOWL)	1			●	●		
BD000005402141	PUMP GASKET G1 1/2	2					●	●
BD000005405001	GASKET G1 22X30,3X2 WRC (SUPPLY PIPE TO SUPPLY BLOCK)	1					●	●
<a href="#">BD710011401V</a>	GAS PIPE FIXING CLIP	1	●	●	●	●	●	●
BD710045702V	O-RING 9,19X2,62,EDPM (PLUG FOR PRESSURE GAUGE PORT)	1					●	
<a href="#">BD710061402V</a>	O-RING 18X3 NBR (GAS PIPE)	1	●	●	●	●	●	●
BD710110601V	CLIP D10,BITRON, (PLUG IN RETURN BLOCK)	1					●	
240013315	CLAMP,SNAP-GRIP,19/32"-11/16"(COND HOSE TRAY TO TRAP)	2	●	●				
BD710111001V	SPRING CLIP BIFM182 (COND HOSE TRAY TO TRAP)	2			●	●	●	●
BD710151101V	SPRING CLIP BIFM252 (COND HOSE HX TO TRAP)	2	●	●	●	●	●	●
BD710397801V	GSKT,G1",31X42,FOAM (DHW SUPPLY & RETURN TO FRAME)	2					●	●
BD710654101V	CLIP,D9,240/380,(PRESSURE SENSOR)	1					●	

