



**HOSHIZAKI
CONDENSER UNIT**

**MODEL
URC-21F**

PARTS LIST

CONTENTS

Auxiliary Codes.....	3
Note About Ordering Parts	3
Material Abbreviations	4
A. Condenser Unit	5
B. Junction Box	8
C. Accessories.....	9

Auxiliary Codes

Q-5 May 2005

Note About Ordering Parts

Most assemblies cannot be ordered as complete units; parts in the assemblies generally must be ordered separately.

Material Abbreviations

ALUMINUM

AL = Aluminum

COPPER

CU = Copper

PLASTIC

ABS = Acrylonitrile -butadiene - styrene
AC = Polyacetal
EVA = Ethylene vinyl acetate
PA = Polyamide = Nylon
PC = Polycarbonate
PE = Polyethylene
PES = Polyester
PETP = Polyethylene terephthalate = Tetlon
PP = Polypropylene
PS = Polystyrene
PTFE = Polytetrafluoroethylene = Teflon
PUR = Polyurethane
PVC = Polyvinyl chloride

RUBBER

VN = Vinyl Nitrile
EPDM = EP rubber
NBR = Nitrile butadiene rubber
NR = Natural rubber
NP = Neoprene
SI.R = Silicone rubber
SY.R = Synthetic rubber
EPH = Epichlorohydrin

STEEL

GS = Galvanized steel
SS = Stainless steel
PS = Plated steel
PAS = Primed steel

AUXILIARY CODE

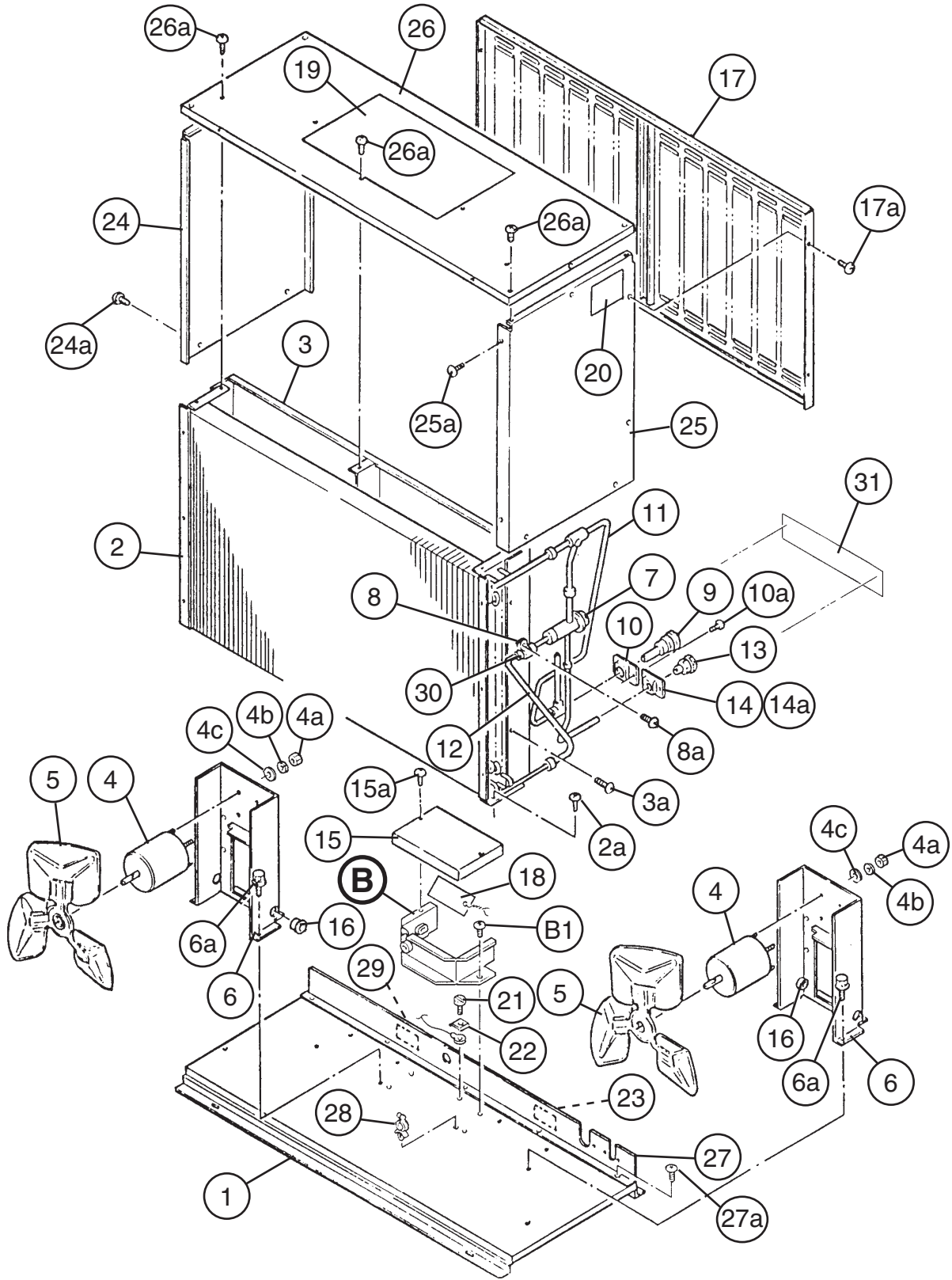
K-5

— Designates the year. "K" indicates the year 2000. Years progress or regress in alphabetical order. "J" is 1999, "L" is 2001, "M" is 2002, and so on. The letters "I" and "O" were skipped.
— Designates significant part changes within the same year for this model. Base is 5 and this number advances for each change.

Example: P-6

— "P" indicates 2004.
— "6" indicates the first significant part change for 2004.

A. Condenser Unit
URC-21F
 Q-5



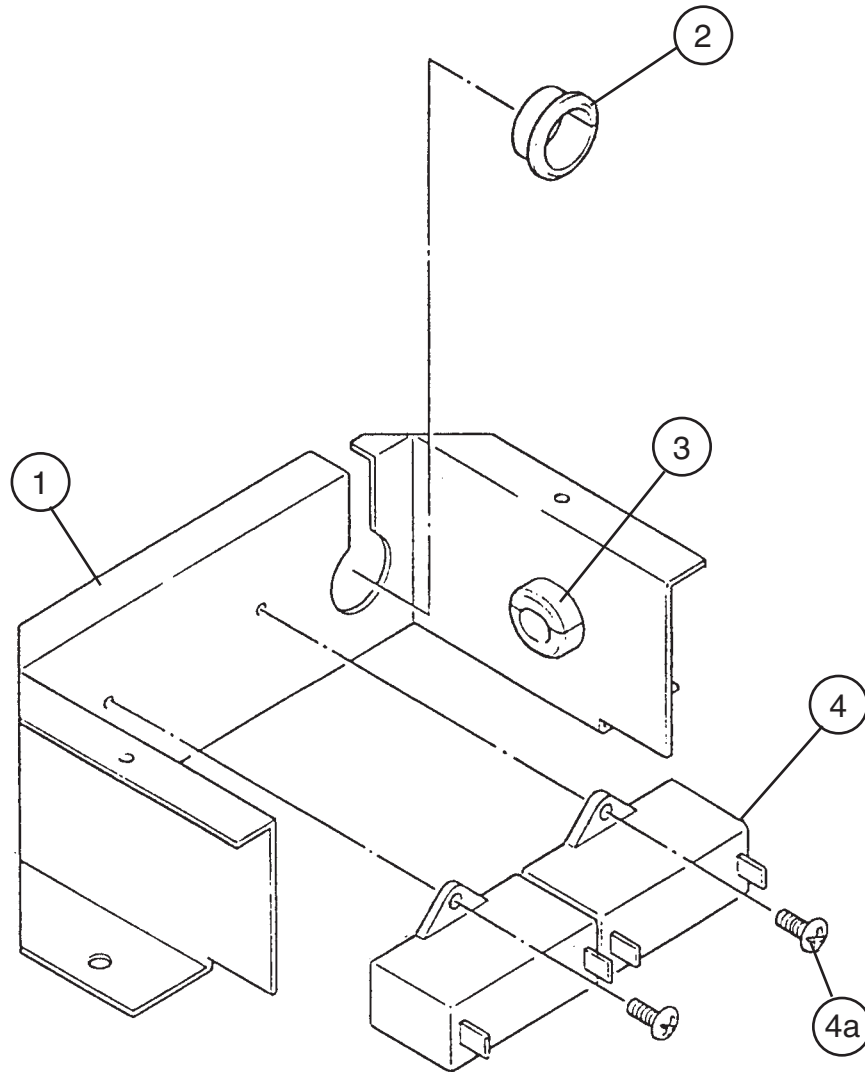
Title: **A. Condenser Unit** Model: **URC-21F**

Index No.	Description	Material or Model Number	Part Number	Required Number																
				Q-5																
B	Junction Box	-	2A0117A05	1																
B1	Truss Head Screw	4x8, SS	7C32-0408	2																
1	Unit Base	GS	2A1923G01	1																
2	Condenser – Air-Cooled	-	1A1048-01	1																
2a	T2 Screw	4x8, SS	7P32-0408	2																
3	Shroud	GS	325010G01	1																
3a	T2 Screw	4x8, SS	7P32-0408	6																
4	Fan Motor	5KCP84DFK156S	4A3201-01	2																
4a	Hex Nut	SS, No. 8-32 UNC	7N02I0832	8																
4b	Split Lock Washer	SS, No. 8-32 UNC	7L22I0832	8																
4c	Flat Washer	SS, No. 8-32 UNC	7W22I0832	8																
5	Fan Blade		4A1493-01	2																
6	Fan Motor Bracket	GS	330800-01	2																
6a	Hex Head Bolt w/Washer (LF)	5x12, SS	7B020512	8																
7	C.P. Regulator		4A0229-01	1																
8	“C” Clamp	CCO-12	7910C1200	1																
8a	T2 Screw	4x8, SS	7P32-0408	1																
9	Coupling	-	434101G01	1																
10	Tube Holder (L)	GS	438245-01	1																
10a	T2 Screw	4x8, SS	7P32-0408	2																
11	Copper Tube (A)	COPPER	2A1192G01	1																
12	Copper Tube (B)	COPPER	4A3789-01	1																
13	Coupling (C)	-	325016G01	1																
14	Tube Holder (S)	GS	438246-01	1																
14a	T2 Screw	4x8, SS	7P32-0408	2																
15	Junction Box Cover	GS	436442-01	1																
15a	T2 Screw	4x8, SS	7P32-0408	2																
16	Bushing	OCB-750	428394-01	2																
17	Louver Panel	GS	325014G02	1																
17a	T2 Screw	4x8, SS	7P32-0408	4																
18	Tag – Fan Motor Leads	PAPER	420742-01	1																
19	Instruction Sheet	PAPER	3A0988-01	1																
20	Nameplate	PES FILM	2A2672-06	1																
21	Screw – Grounding	BRASS	433304-02	1																
22	Square Washer	BRASS	433537-02	1																

Title: **A. Condenser Unit** Model: **URC-21F**

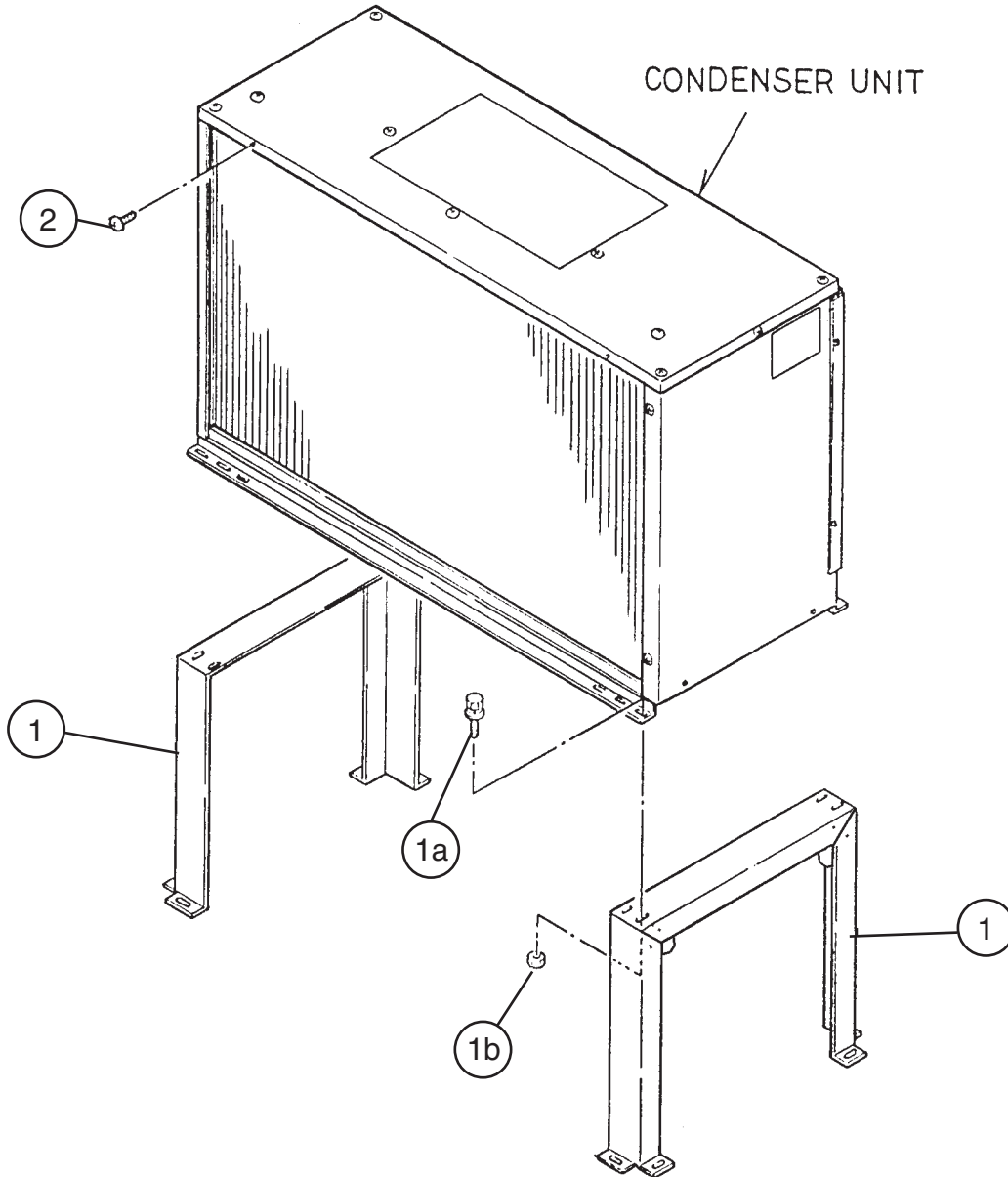
Index No.	Description	Material or Model Number	Part Number	Required Number											
				Q-5											
23	Label – R404A	PES FILM	4A0960-01	1											
24	Side Panel (R)	GS	2A1926-01	1											
24a	T2 Screw	4x8, SS	7P32-0408	2											
25	Side Panel (L)	GS	2A1925-01	1											
25a	T2 Screw	4x8, SS	7P32-0408	2											
26	Top Panel	GS	3A3489G01	1											
26a	T2 Screw	4x8, SS	7P32-0408	11											
27	Frame	GS	219180-01	1											
27a	T2 Screw	4x8, SS	7P32-0408	5											
28	Clamp	NO.4253	427902-05	4											
29	Caution Label – 3 Phase		4A1415-01	1											
30	Silicone Hose	L=20	7730-0912	1											
31	Caution Tape – 404A	L=250	4A1535L01	1											

B. Junction Box
URC-21F
 Q-5



Title: B. Junction Box Model: URC-21F															
Index No.	Description	Material or Model Number	Part Number	Required Number											
				Q-5											
1	Junction Box (A)	GS	3A3371-01	1											
2	Bushing	OCB-875	428394-04	1											
3	Bushing	SR-30-1	420472-03	1											
4	Capacitor	250VAC, 10µf	443192-01	1											
4a	T2 Screw	4x10, SS	7P32-0410	2											

C. Accessories
URC-21F
 Q-5



Title: C. Accessories Model: URC-21F													
Index No.	Description	Material or Model Number	Part Number	Required Number									
				Q-5									
1	Leg	GS	3A1704G01	2									
1a	Hex Head Bolt w/Washer	8x16, SS	7B0230816	8									
1b	Hex Nut	8, SS	7N12-0800	8									
2	T2 Screw	4x8, SS	7P32-0408	4									