

NO. 71183

ISSUED: APRIL 3, 2001



**HOSHIZAKI  
CONDENSER UNIT**

**MODEL  
URC-20FE**

**PARTS LIST**

H-0 Feb., 1998  
L-0

## MATERIAL ABBREVIATIONS

### ALUMINUM

AL = Aluminum

### COPPER

CU = Copper

### PLASTIC

ABS = Acrylonitrile -butadiene - styrene  
 AC = Polyacetal  
 EVA = Ethylene vinyl acetate  
 PA = Polyamide = Nylon  
 PC = Polycarbonate  
 PE = Polyethylene  
 PES = Polyester  
 PETP = Polyethylene terephthalate = Tetlon  
 PP = Polypropylene  
 PS = Polystyrene  
 PTFE = Polytetrafluoroethylene = Teflon  
 PUR = Polyurethane  
 PVC = Polyvinyl chloride

### RUBBER

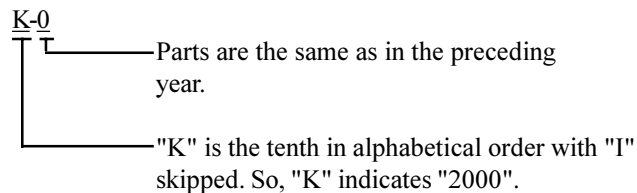
VN = Vinyl Nitrile  
 EPDM = EP rubber  
 NBR = Nitrile butadiene rubber  
 NR = Natural rubber  
 NP = Neoprene  
 SIR = Silicone rubber  
 SYR = Synthetic rubber  
 EPH = Epichlorohydrin

### STEEL

GS = Galvanized steel  
 SS = Stainless steel  
 PS = Plated steel  
 PAS = Primed steel

## AUXILIARY CODE

Ex.1

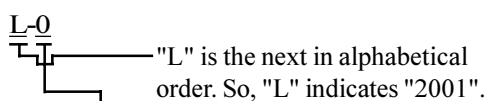


(Note) - = Part deleted.

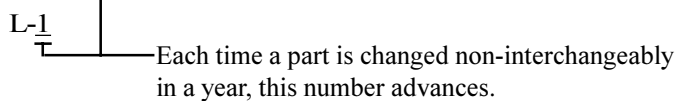
x = Part deleted and replaced by interchangeable "o" part.

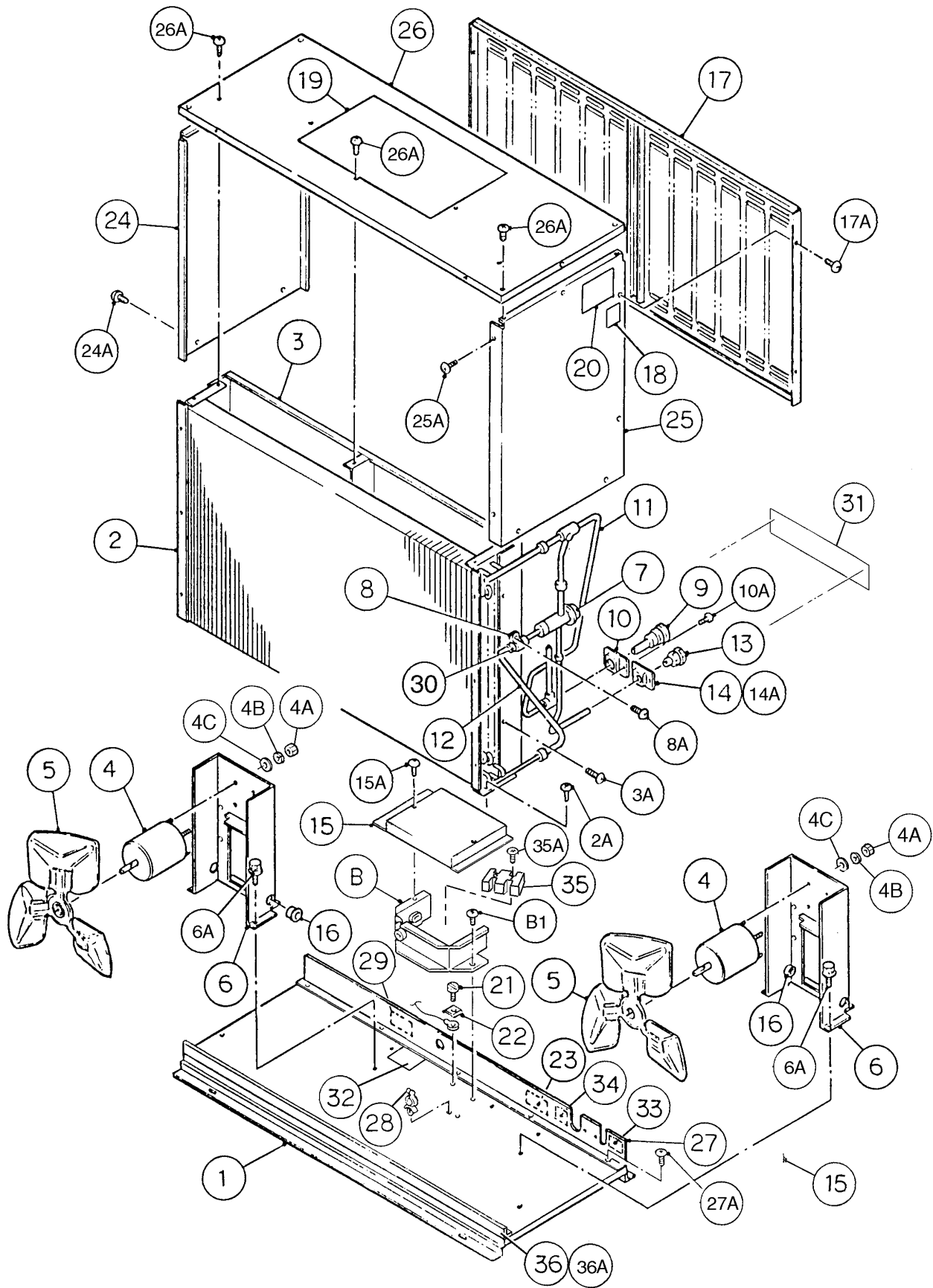
o = New part for "x" in the same auxiliary code.

Ex.2



Ex.3





MODEL: <b>URC-20FE</b> TITLE: <b>A. CONDENSER UNIT</b>											
INDEX NO.	DESCRIPTION	MATERIAL OR MODEL NUMBER	PART NUMBER	REQUIRED NUMBER							
				H-0	L-0						
B	JUNCTION BOX	-	3A0642A01	1	1						
B1	TRUSS HEAD SCREW	4X8, SS	<a href="#">7C32-0408</a>	2	2						
1	UNIT BASE	GS	219178G01	1	1						
2	CONDENSER - AIR-COOLED	-	<a href="#">104918-02</a>	1	1						
2A	T2 SCREW	4X8, SS	<a href="#">7P32-0408</a>	2	2						
3	SHROUD	GS	325010G01	1	1						
3A	T2 SCREW	4X8, SS	<a href="#">7P32-0408</a>	6	6						
4	FAN MOTOR	5KPM59KSK 4140-S	<a href="#">435275-01</a>	2	2						
4A	HEX NUT	SS, No. 8-32 UNC	<a href="#">7N0210832</a>	8	8						
4B	SPLIT LOCK WASHER	SS, No. 8-32 UNC	<a href="#">7W2210832</a>	8	8						
4C	FLAT WASHER	SS, No. 8-32 UNC	<a href="#">7L2210832</a>	8	8						
5	FAN BLADE		<a href="#">4A1493-01</a>	2	2						
6	FAN MOTOR BRACKET	GS	<a href="#">330800-01</a>	2	2						
6A	HEX HEAD BOLT W/WASHER (LF)	5X12, SS	7B020512	8	8						
7	C.P.REGULATOR		<a href="#">4A0229-03</a>	1	1						
8	"C" CLAMP	CCO-12	<a href="#">7910C1200</a>	1	1						
8A	T2 SCREW	4X8, SS	<a href="#">7P32-0408</a>	1	1						
9	COUPLING	-	434101G01	1	1						
10	TUBE HOLDER (L)	GS	<a href="#">438245-01</a>	1	1						
10A	T2 SCREW	4X8, SS	<a href="#">7P32-0408</a>	2	2						
11	COPPER TUBE (A)	COPPER	2A1192G01	1	1						
12	COPPER TUBE (B)	COPPER	438197-01	1	1						
13	COUPLING (C)	-	<a href="#">325016G01</a>	1	1						
14	TUBE HOLDER (S)	GS	<a href="#">438246-01</a>	1	1						
14A	T2 SCREW	4X8, SS	<a href="#">7P32-0408</a>	2	2						
15	JUNCTION BOX COVER	GS	4A1027-01	1	1						

HA

MODEL: URC-20FE TITLE: A. CONDENSER UNIT												
INDEX NO.	DESCRIPTION	MATERIAL OR MODEL NUMBER	PART NUMBER	REQUIRED NUMBER								
				H-0	L-0							
15A	T2 SCREW	4X8, SS	7P32-0408	2	2							
16	BUSHING	OCB-750	428394-01	2	2							
17	LOUVER PANEL	GS	325014G01	1	x1							
		GS	325014G02		o1							
17A	T2 SCREW	4X8, SS	7P32-0408	4	4							
18	LABEL – CE	-	450668-01	1	1							
19	INSTRUCTION SHEET	PAPER	3A0988-01	1	1							
20	NAMEPLATE	PES FILM	4A1447-01	1	1							
21	SCREW - GROUNDING	BRASS	433304-02	1	1							
22	SQUARE WASHER	BRASS	433537-02	1	1							
23	LABEL - R404A	PES FILM	4A0960-01	1	1							
24	SIDE PANEL (R)	GS	215555-01	1	-							
		GS	2A1926-01		1							
24A	T2 SCREW	4X8, SS	7P32-0408	2	2							
25	SIDE PANEL (L)	GS	215556-01	1	-							
		GS	2A1925-01		1							
25A	T2 SCREW	4X8, SS	7P32-0408	2	2							
26	TOP PANEL	GS	326137G01	1	x1							
		GS	326137G02		o1							
26A	T2 SCREW	4X8, SS	7P32-0408	11	11							
27	FRAME	GS	2A0704-01	1	1							
27A	T2 SCREW	4X8, SS	7P32-0408	5	5							
28	CLAMP	NO.4253	427902-05	4	4							
29	CAUTION LABEL - 3 PHASE		4A1415-01	1	1							
30	SILICONE HOSE	L=20	7730-0912	1	1							
31	CAUTION TAPE - 404A	L=250	4A1535L01	1	1							
32	LABEL – WIRE CONNECTION	-	4A1061-01	1	1							



