

Hoshizaki America, Inc.

Condenser Unit

Model
URC-12F



“A Superior Degree
of Reliability”

www.hoshizaki.com

PARTS LIST



Number: 71166
Issued: 3-1-2000
Revised: 3-28-2006

CONTENTS

Auxiliary Codes.....	3
Note About Ordering Parts	3
Material Abbreviations	4
A. Condenser Unit	5
B. Junction Box.....	8
C. Accessories.....	9

Auxiliary Codes

H-0 January 1998
J-0 February 1999
K-0 December 1999
K-1 April 2000
L-0 December 2000
L-5 January 2001
M-0 December 2001
N-0 December 2002
N-5 June 2003
N-6 November 2003
P-5 December 2003
Q-5 December 2004
R-5 December 2005

Note About Ordering Parts

Most assemblies cannot be ordered as complete units; parts in the assemblies generally must be ordered separately.

Material Abbreviations

ALUMINUM

AL = Aluminum

COPPER

CU = Copper

PLASTIC

ABS = Acrylonitrile -butadiene - styrene
AC = Polyacetal
EVA = Ethylene vinyl acetate
PA = Polyamide = Nylon
PC = Polycarbonate
PE = Polyethylene
PES = Polyester
PETP = Polyethylene terephthalate = Tetlon
PP = Polypropylene
PS = Polystyrene
PTFE = Polytetrafluoroethylene = Teflon
PUR = Polyurethane
PVC = Polyvinyl chloride

RUBBER

VN = Vinyl Nitrile
EPDM = EP rubber
NBR = Nitrile butadiene rubber
NR = Natural rubber
NP = Neoprene
SI.R = Silicone rubber
SY.R = Synthetic rubber
EPH = Epichlorohydrin

STEEL

GS = Galvanized steel
SS = Stainless steel
PS = Plated steel
PAS = Primed steel

AUXILIARY CODE

K-0

┌─── Designates the year. "K" indicates the year 2000. Years progress or regress in alphabetical order.
│ "J" is 1999, "L" is 2001, "M" is 2002, and so on. The letters "I" and "O" were skipped.
└─── Designates significant part changes within the same year for this model. Base is 0 or 5 and this number advances for each change.

Example: N-6

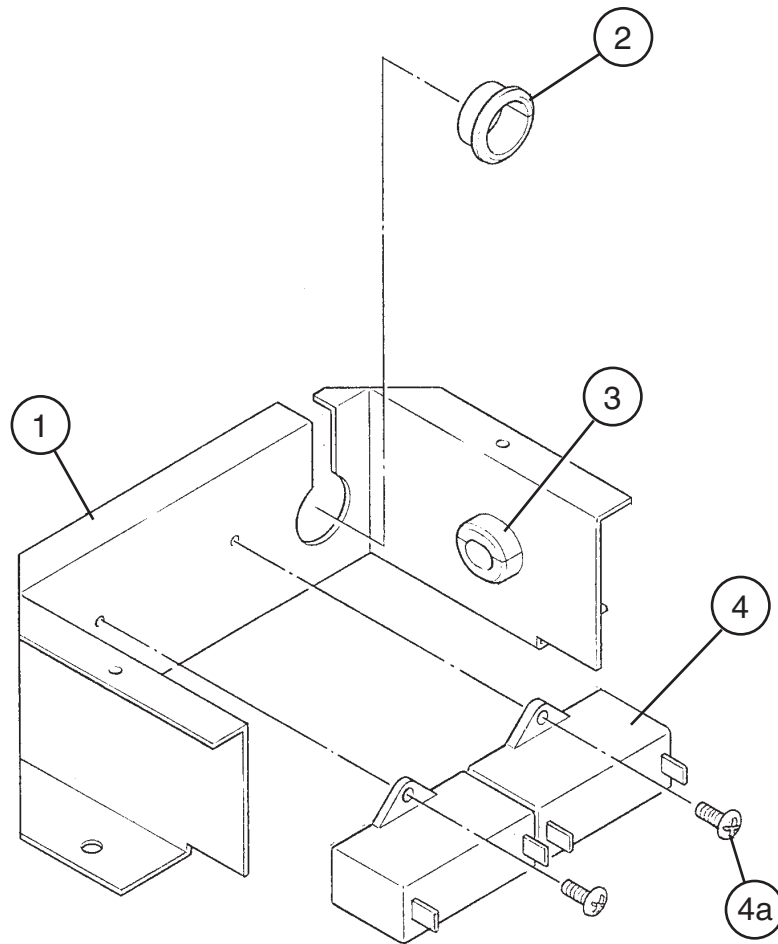
┌─── "N" indicates 2003.
└─── "6" indicates the first significant part change for 2003.

Title: A. Condenser Unit Model: URC-12F												
Index No.	Description	Material or Model Number	Part Number	Required Number								
				H-0 to K-0	K-1 to L-5	M-0 to N-5	N-6 P-5	Q-5 R-5				
B	Junction Box	-	2A0117A02	1	1	1	1	-				
			2A0117A05				1					
B1	Truss Head Screw	5x12, SS	7C32-0512	2	-							
		4x8, SS	7C32-0408		2	2	2	2				
1	Unit Base	GS	219175G01	1	-							
			2A1922G01		1	1	1	1				
2	Condenser - Air-Cooled	-	104777-02	1	1	1	1	1				
2a	T2 Screw	4x8, SS	7P32-0408	4	4	4	4	4				
3	Shroud	GS	324150G02	1	1	1	1	1				
3a	T2 Screw	4x8, SS	7P32-0408	6	6	6	6	6				
4	Fan Motor	5KPM59KSK4140-S	435275-01	2	2	2	-					
		5KCP84DFK156S	4A3201-01				2	2				
4a	Hex Nut	No. 8-32 UNC	7N0110832	8	8	8	8	8				
4b	Split Lock Washer	No. 8	7L2110800	8	8	8	8	8				
4c	Flat Washer	No. 8	7W2110800	8	8	8	8	8				
5	Fan Blade	-	4A1493-01	2	2	2	2	2				
6	Fan Motor Bracket	GS	330800-01	2	2	2	2	2				
6a	Hex Head Bolt w/Washer (LF)	5x12, SS	7B0230512	8	8	8	8	8				
7	C.P. Regulator	-	4A0229-03	1	1	1	1	1				
8	"C" Clamp	CCO-12	7910C1200	1	1	1	1	1				
8a	T2 Screw	4x8, SS	7P32-0408	1	1	1	1	1				
9	Caution Tape – 404A	L=250	4A1535L01	1	1	1	1	1				
10	Tube Holder (S)	GS	438246-01	1	1	1	1	1				
10a	T2 Screw	4x8, SS	7P32-0408	2	2	2	2	2				
11	Copper Tube (A)	COPPER	3A1032G01	1	1	1	1	1				
12	Copper Tube (B)	COPPER	442153-01	1	1	1	1	1				
13	Coupling (C) (male)	-	435420G02	1	1	1	1	1				
14	Junction Box Cover	GS	436442-01	1	1	1	1	1				
14a	T2 Screw	4x8, SS	7P32-0408	2	2	2	2	2				
15	Bushing	OCB-750	428394-01	2	2	2	2	2				
16	Caution Label - 3 Phase	-	4A1415-01	1	1	1	1	1				
17	Louver Panel	GS	213968-01	1	1	1	1	1				
17a	T2 Screw	4x8, SS	7P32-0408	4	4	4	4	4				
18	Tag - Fan Motor Leads	PAPER	420742-01	1	1	1	1	1				
19	Instruction Sheet	PAPER	324835-01	1	1	1	1	1				
20	Nameplate	PES FILM	4A1448-01	1	1	-						
			2A2672-03			1	1	1				
21	Screw - Grounding	BRASS	433304-02	1	1	1	1	1				
22	Square Washer	BRASS	433537-02	1	1	1	1	1				
23	Coupling (male)	-	434101G01	1	1	1	1	1				

Title: **A. Condenser Unit** Model: **URC-12F**

Index No.	Description	Material or Model Number	Part Number	Required Number									
				H-0 to K-0	K-1 to L-5	M-0 to N-5	N-6 P-5	Q-5 R-5					
24	Tube Holder (L)	GS	438245-01	1	1	1	1	1					
24a	T2 Screw	4x8, SS	7P32-0408	2	2	2	2	2					
25	Label – R404A	PES FILM	4A0960-01	1	1	1	1	1					
26	Silicone Hose	L=20	7730-0912	1	1	1	1	1					
27	Clamp	No.4253	427902-05	4	4	4	4	4					
28	Frame	GS	219177-01	1	1	1	1	1					
28a	T2 Screw	4x8, SS	7P32-0408	5	5	5	5	5					
29	Side Panel (L)	GS	2A0898-01	1	-								
			2A1915-01		1	1	1	1					
29a	T2 Screw	4x8, SS	7P32-0408	4	4	4	4	4					
30	Side Panel (R)	GS	2A0899-01	1	-								
			2A1914-01		1	1	1	1					
30a	T2 Screw	4x8, SS	7P32-0408	2	2	2	2	2					
31	Top Panel	GS	2A0900-01	1	1	1	1	1					
31a	T2 Screw	4x8, SS	7P32-0408	11	11	11	11	11					

B. Junction Box
URC-12F
 H-0 through R-5

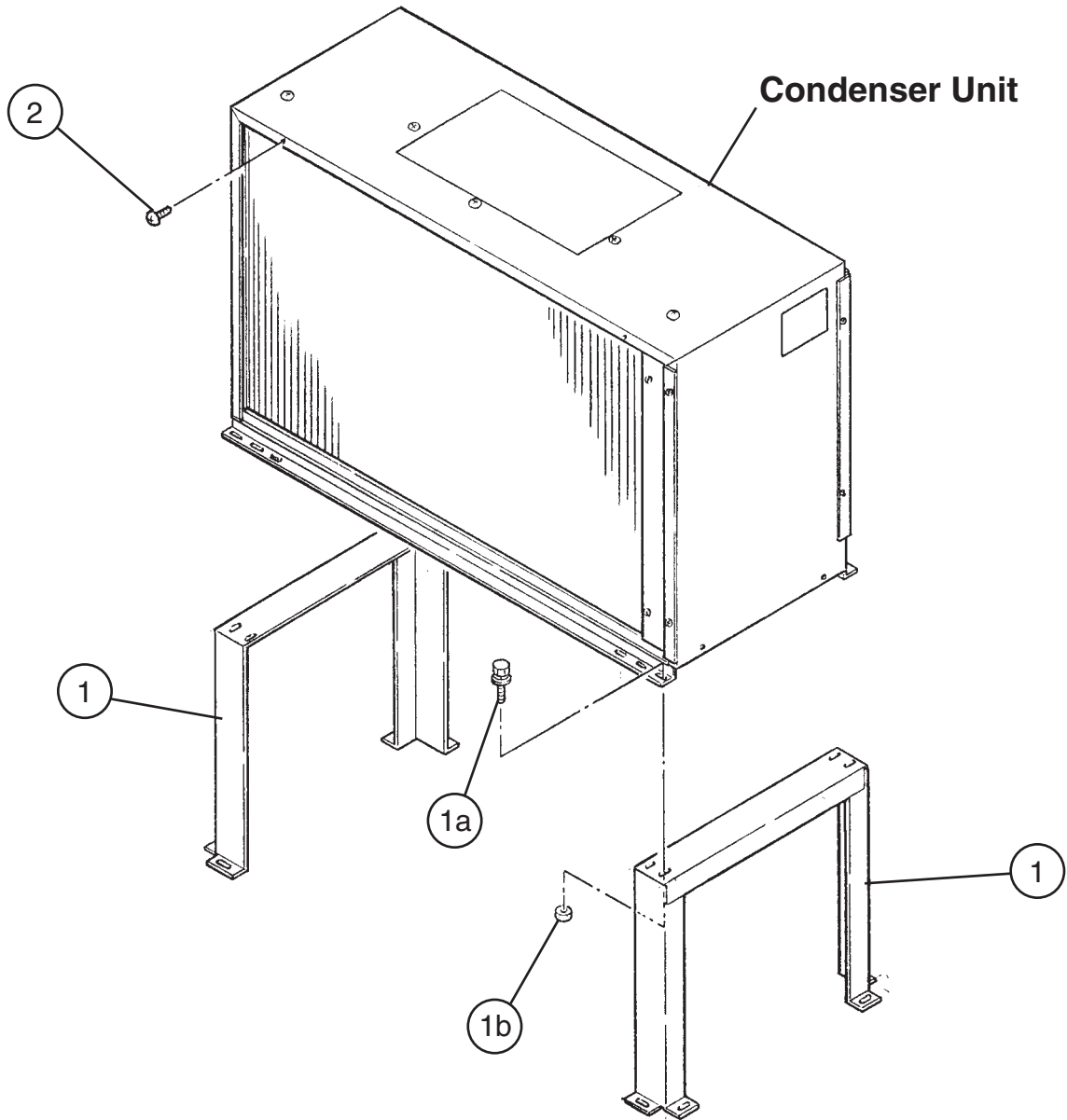


Title: B. Junction Box Model: URC-12F										
Index No.	Description	Material or Model Number	Part Number	Required Number						
				H-0 to P-5	Q-5 R-5					
1	Junction Box (A)	GS	3A0170-01	1	-					
			3A3371-01		1					
2	Bushings	OCB-1000	428394-05	1	-					
		OCB-875	428394-04		1					
3	Bushings	SR-30-1	420472-03	1	1					
4	Capacitor	250VAC, 10µf	443192-01	2	2					
4a	T2 Screw	4x10, SS	7P32-0410	2	2					

C. Accessories

URC-12F

H-0 through R-5



Title: C. Accessories		Model: URC-12F		Required Number							
Index No.	Description	Material or Model Number	Part Number	H-0 to K-0	K-1 to R-5						
1	Leg	GS	3A0135-01	2	-						
			3A1704G01			2					
1a	Hex Head Bolt w/Washer	8x16, SS	7B0230816	8	8						
1b	Hex Nut	8, SS	7N12-0800	8	8						
2	T2 Screw	4x8, SS	7P32-0408	4	4						