



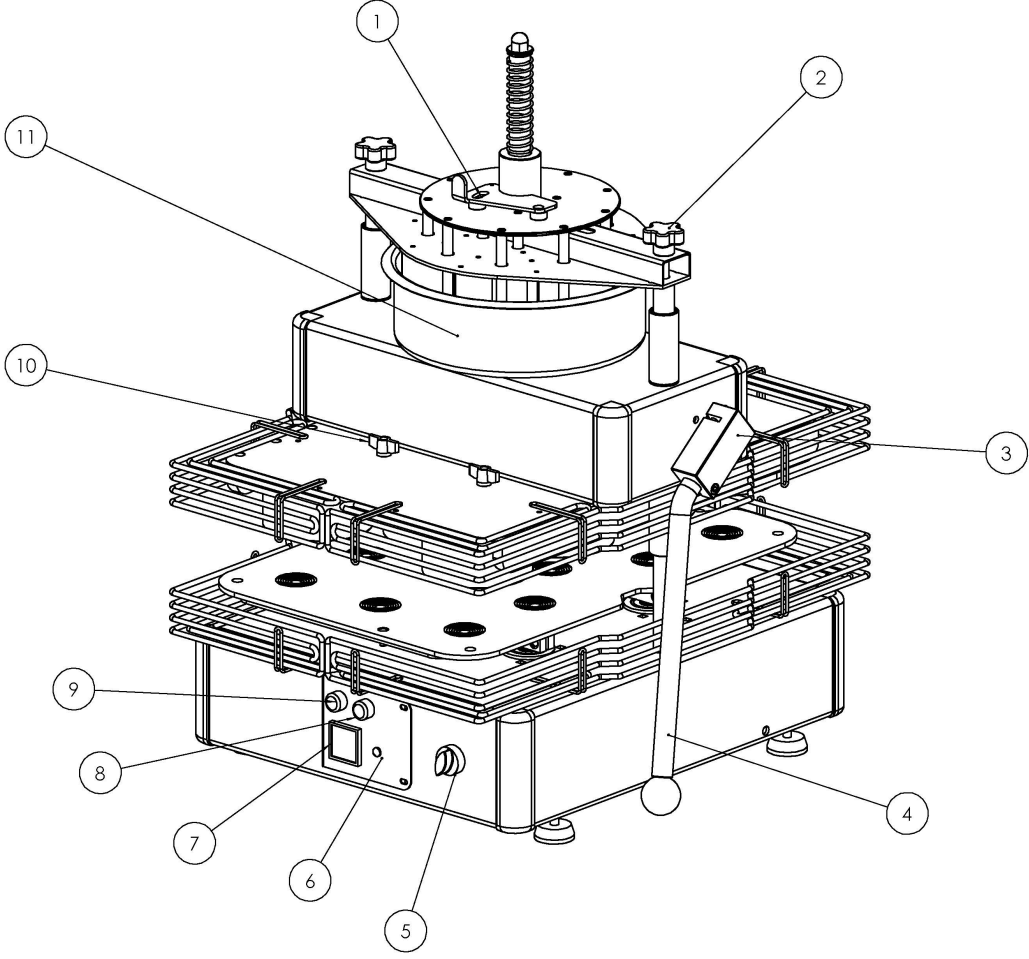
# DR1411

## DOUGH DIVIDER / ROUNDER PARTS & SERVICE MANUAL



Persons under the age of 18 are not permitted to operate or have access to this equipment per U.S. Dept. Of Labor Employment Standards Administration Sheet No. ESA913

**Overview**  
**Figure 1**



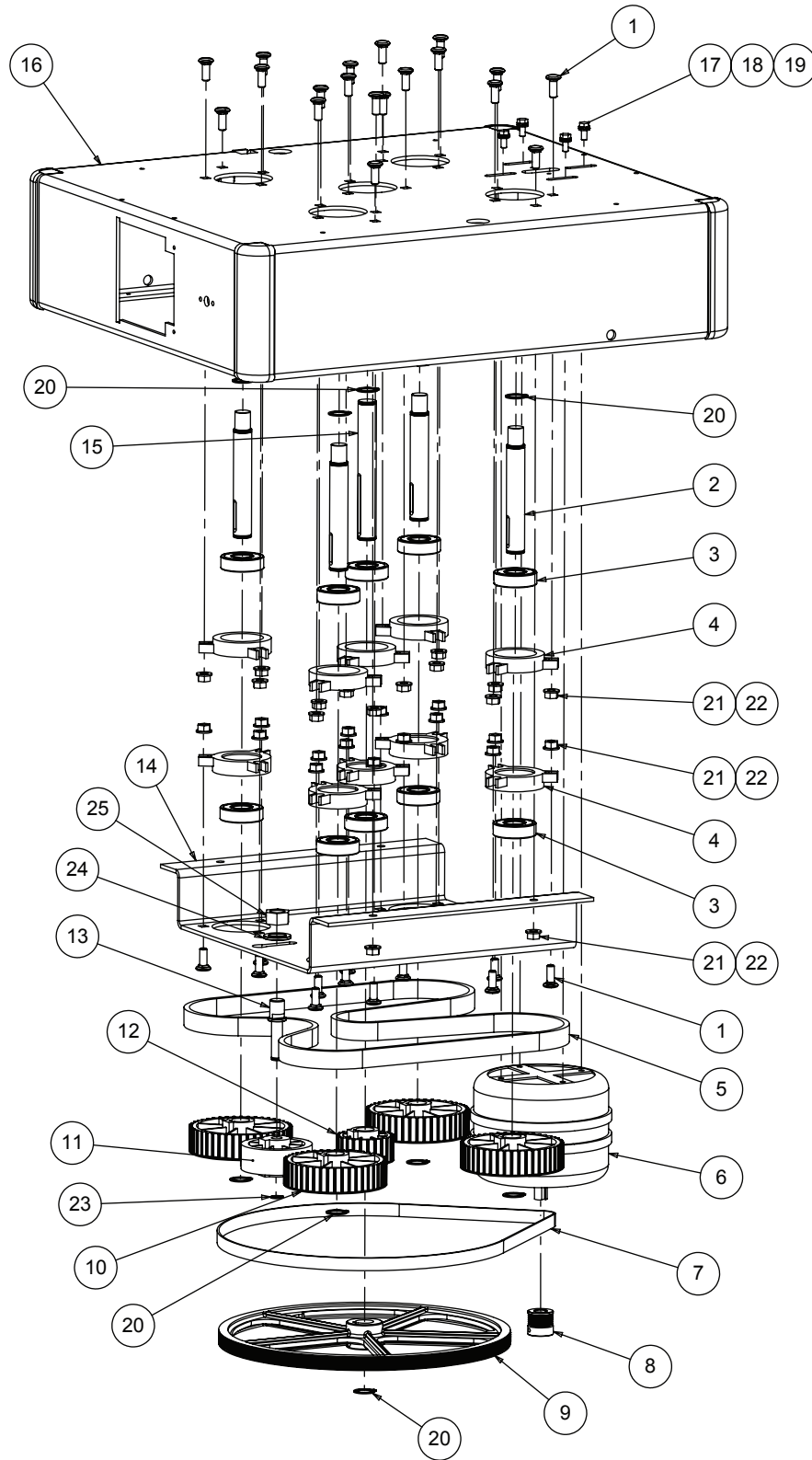
- 1. Blade Release Lever
- 2. Cutting Head Knob
- 3. Alluminium Hub
- 4. Lifting Lever
- 5. Main Switch
- 6. On/Off Light

- 7. Timer
- 8. Stop Button
- 9. Start Button
- 10. Plate Wing Nut
- 11. Forming Dish

**Lower Base**  
**Figure 2**

<b><u>Illus</u></b>	<b><u>Part No</u></b>	<b><u>Description</u></b>	<b><u>Qty</u></b>
1	S01165022	SPECIAL FLAT HEAD SCREWS	34
2	S01162009-1	ECCENTRIC DRIVE SHAFTS	4
3	13000315	BEARINGS 6204 2RS 20-47-14	10
4	S01150038	BEARING SUPPORTS	10
5	S12003996	TEETH BELT	1
6	S11000614	MOTOR 110V/1/60HZ	1
7	S12003951	BELT	1
8	S01162053	MOTOR PULLEY 60HZ	1
9	S01162054	DRIVE MOTOR PULLEY	1
10	S01144064	PLATE DRIVE PULLEY Z-44	4
11	S01144077	PLATE DRIVE PULLEY Z-30	1
12	S01144070	PLATE DRIVE PULLEY Z-24	1
13	S01162012	ECCENTRIC TENSION PIVOT	1
14	S86162004-2	STRENGHER BASE PLATE	1
15	S01162008-1	ECCENTRIC NEUTRAL SHAFT	1
16	S86162001-7	LOWER BASE	1
17	DIN 931	HEXAGONAL HEAD SCREW M6X15	4
18	DIN 127	ELASTIC WASHER M6	4
19	DIN 433	FLAT WASHER M6	4
20	DIN 471	SNAP RING D20	10
21	DIN 934	HEXAGONAL NUT M8	34
22	DIN 433	FLAT WASHER M8	34
23	DIN 471	SNAP RING D12	1
24	DIN 934	HEXAGONAL NUT M16	1
25	DIN 433	FLAT WASHER M17	1

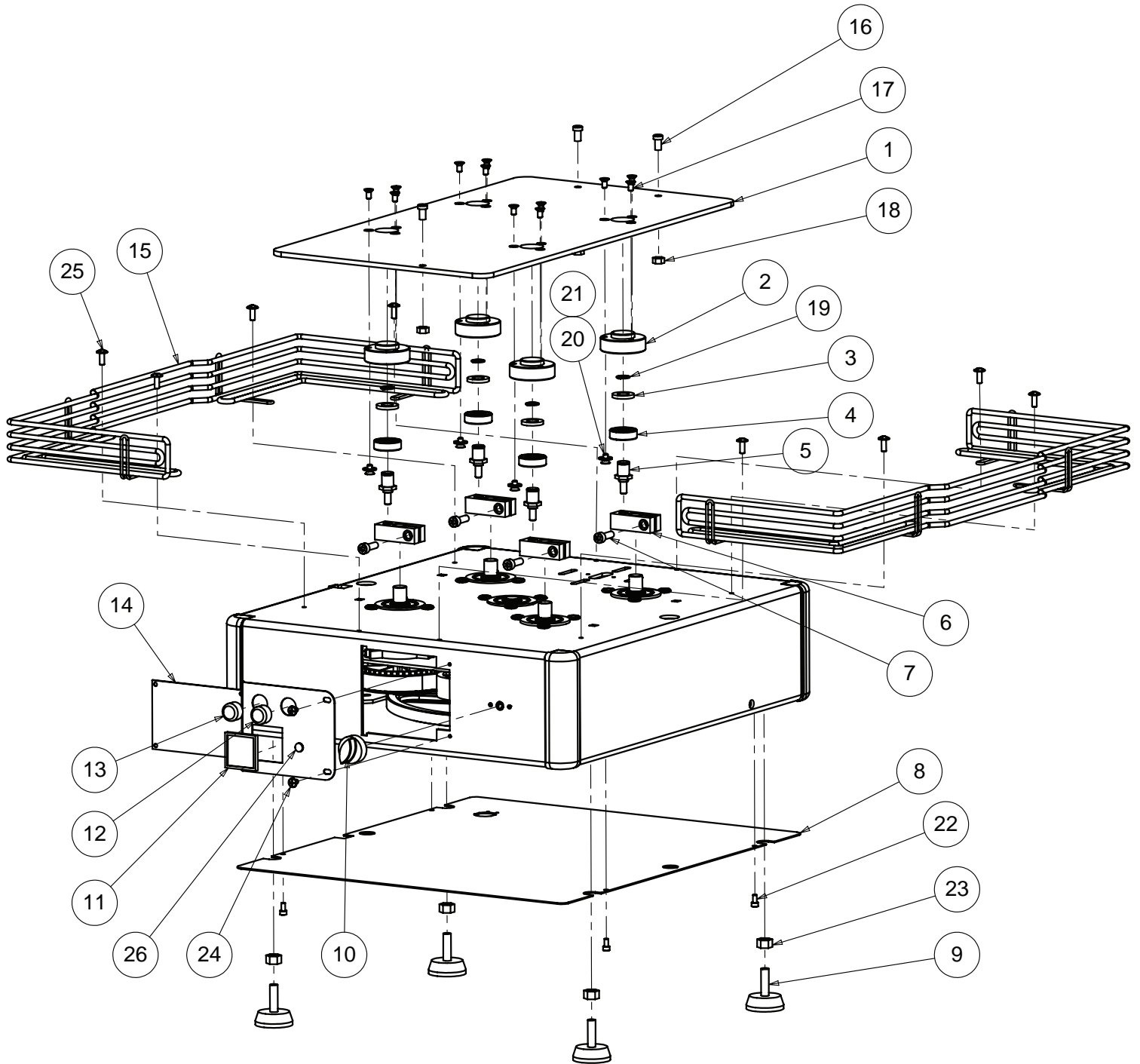
**Lower Base**  
**Figure 2**



**Upper Base**  
**Figure 3**

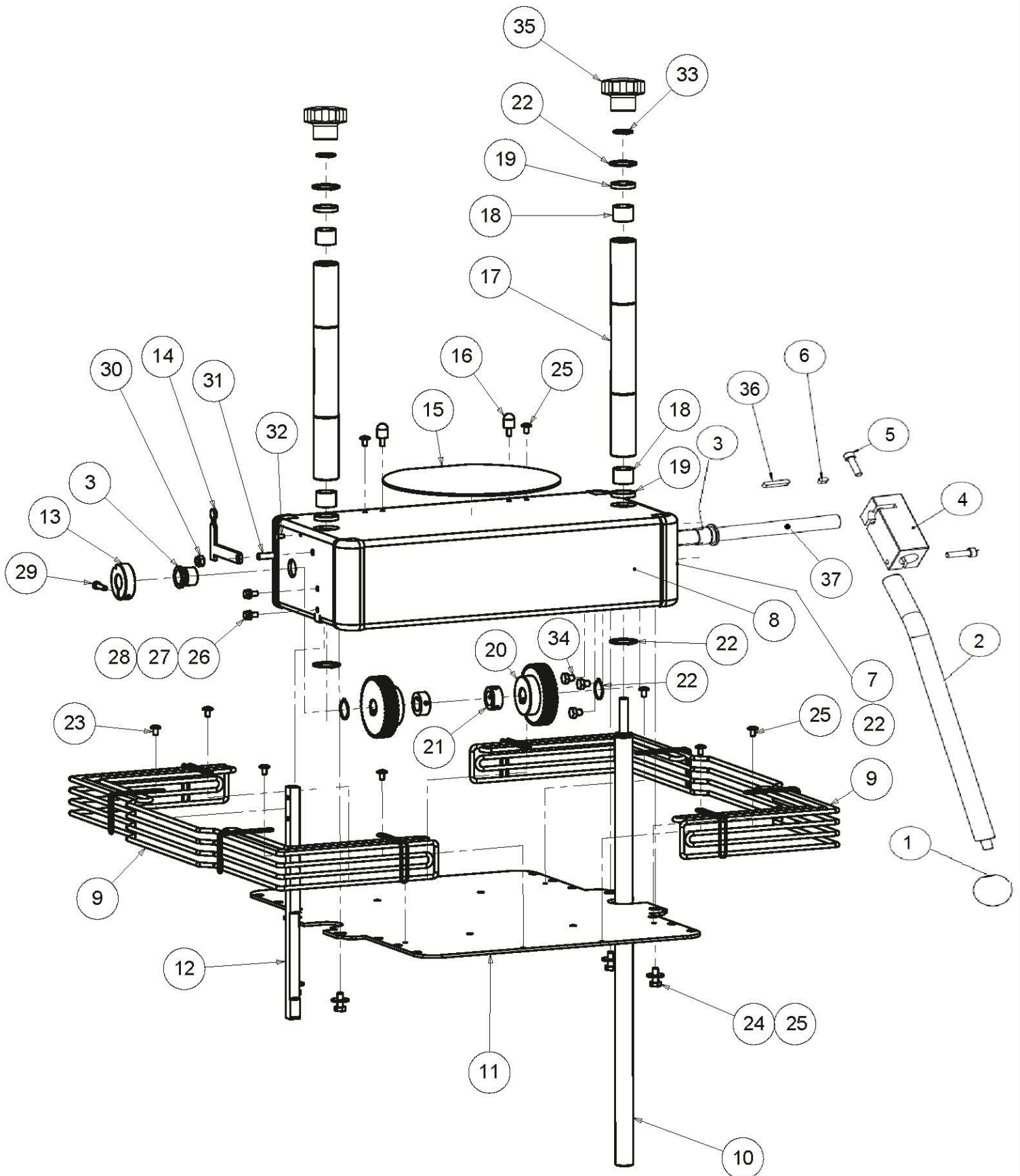
<b><u>Illus</u></b>	<b><u>Part No</u></b>	<b><u>Description</u></b>	<b><u>Qty</u></b>
1	S01162016	SPINNING PLATE	1
2	S01162015	ECCENTRIC PLATE FLANGES	4
3	S13005414	AXIAL FLANGE BEARING 15-28-4	4
4	S13000313	BEARING 6202 2RS 15-35-11 NAZ	4
5	S01162014	ECCENTRIC PIVOT	4
6	S85162013	ECCENTRIC PLATE	4
7	DIN 912	ALLEN SCREW ROUND HEAD M8X25	4
8	S86162002-4	BOTTOM COVER	1
9	S14002810	BLACK FOOT M10 D50	4
10	S00003295	MAIN ON/OFF SWITCH	1
11	S25007040	TIMER	1
12	S25009061	EMERGENCY STOP BUTTON	1
13	S25009081	START BUTTON	1
14	S86162058-1	CONTROL PANEL PLATE	1
15	S85162018-4	LOWER PROTECTION GUARD	2
16	S01162083	TRAY STOP	2
17	DIN 7991	FLARED SCREW M6X12	12
18	DIN 934	HEXAGONAL NUT M8	2
19	DIN 471	SNAP RING	4
20	DIN 7991	FLARED SCREW M6X12	4
21	DIN 433	FLAT WASHER M8	4
22	DIN 912	ALLEN SCREW ROUND HEAD M5X10	4
23	DIN 934	HEXAGONAL NUT M10	4
24	DIN 7985	FLAT HEAD SCREW M5X10	2
25	DIN 7985	FLAT HEAD SCREW M6X16	8
26	S25009029	POWER LIGHT	1

**Upper Base**  
**Figure 3**



<u>Illus</u>	<u>Part No</u>	<u>Description</u>	<u>Qty</u>
1	S14002204	KNOB	1
2	S85162116	HAND LEVER	1
3	S01162086	HAND LEVER BUSHING	2
4	S85162100	ALLUMINIUM HAND LEVER HUB	2
5	DIN 912	HEAD QUARRY EXAGONAL SCREW M8X30	2
6	DIN 6885	6X6X12 TABS	2
7	SS01078010	CORNER CAPS	8
8	S86162027-5	UPPER BASE	1
9	S85162018-4	UPPER PROTECTION GUARD	2
10	S80162019-6	DRIVE PILLARS	2
11	S86162028-5	LOWER PLATE	1
12	S85162051-5	MICROSWITCH ROD	1
13	S85162023-2	LOCKING DISC	1
14	S85162024-3	LATCH	1
15	S01162056	BOTTOM DISH DISC	1
16	S85162030-1	LOCKING DISH SCREWS	2
17	S85162020-5	UPPER BUSHING	2
18	S15005010	BUSHING	2
19	S19001001	DUST SEAL	2
20	S01162021	GEAR Z41	2
21	S14000820	DIN RING	2
22	DIN 471	SNAP RING D35	4
23	DIN 7985	FLAT HEAD SCREW M6X10	8
24	DIN 931	HEXAGONAL HEAD SCREW M8X20	4
25	DIN 433	FLAT WASHER M8	4
26	DIN 931	HEXAGONAL HEAD SCREW M6X15	2
27	DIN 127	ELASTIC WASHER M6	2
28	DIN 433	FLAT WASHER M6	2
29	DIN 912	ALLEN SCREW ROUND HEAD M6X25	1
30	DIN 982	AUTO LOCK NUT M8	1
31	DIN 913	PIN M8X35	1
32	DIN 912	ALLEN SCREW ROUND HEAD M5X10	1
33	DIN 471	SNAP RING D25	2
34	DIN 931	HEXAGONAL HEAD SCREW M8X10	3
35	S14002004	CUTTING HEAD KNOB	2
36	DIN6885	6X6X35- TABS	2
37	S85162099	RAISING SHAFT	1

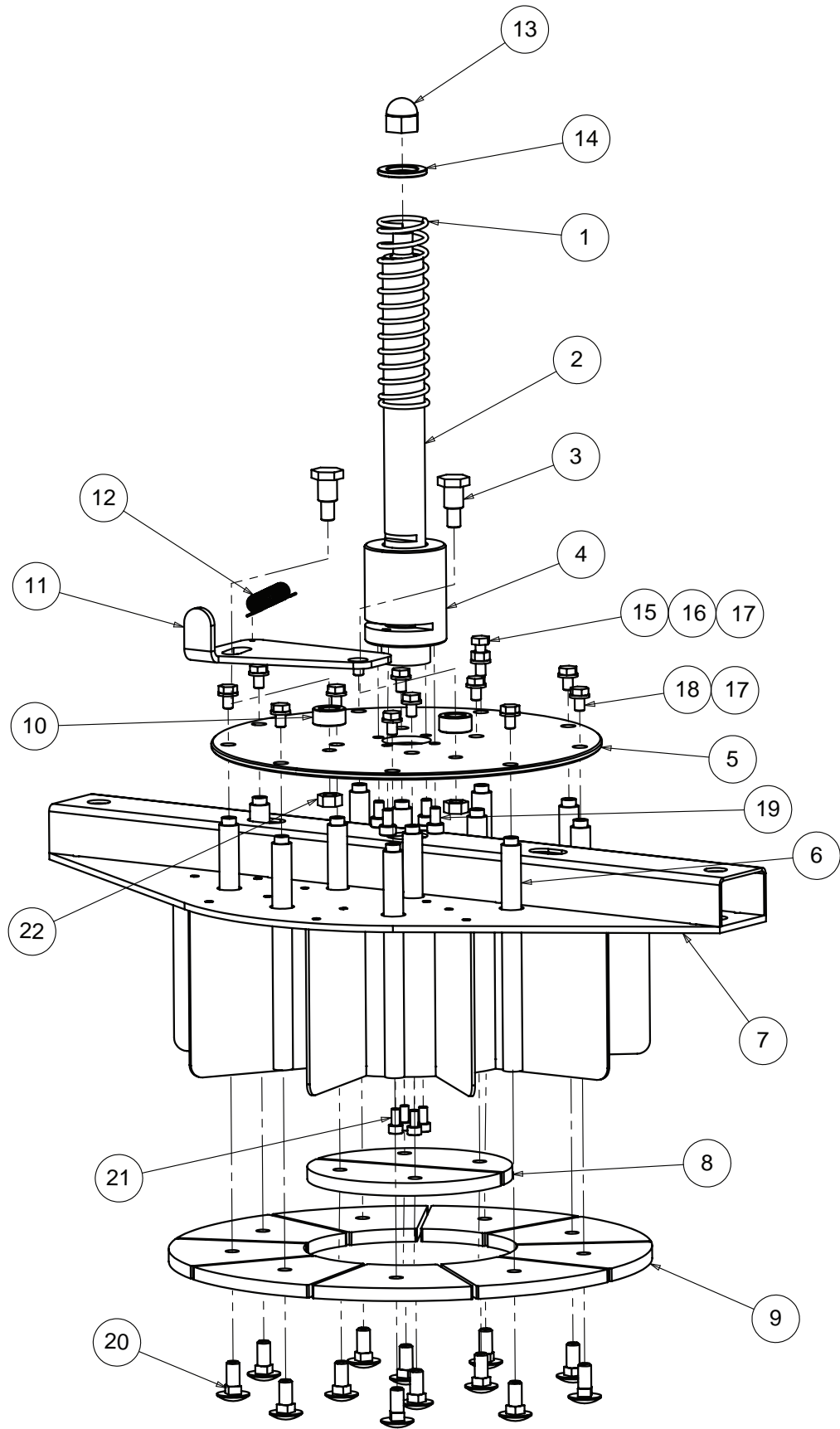
**Cutting Base**  
**Figure 4**



**11 Section Cutting Head**  
**Figure 5**

<u>Illus</u>	<u>Part No</u>	<u>Description</u>	<u>Qty</u>
	<b>S00003452</b>	<b>COMPLETE CUTTER HEAD ASSEMBLY</b>	
1	S85162045-1	TENSION SPRING	1
2	S84162089	DRIVE SHAFT	1
3	S01162044	LEVER PIVOT SCREW	2
4	S01162041	SHAFT BUSHING	1
5	S02162040	EXTRACTOR PLATE	1
6	S01162046	EXTRACTOR COLUMN	13
7	S02162065	HEAD ASSEMBLY	1
8	S01162066	CENTRAL EXTRACTOR BLADES	2
9	S01162067	EXTERNAL EXTRACTOR BLADES	10
10	S01162042	LEVELING SPACERS	2
11	S02162043	BLADE RELEASE LEVER	1
12	S08091045	LEVER SPRING	1
13	DIN 1587	BLIND NUT M12	1
14	DIN 433	FLAT WASHER M17	1
15	DIN 931	HEXAGONAL HEAD SCREW M6X20	1
16	DIN 934	HEXAGONAL NUT M6	1
17	DIN 433	FLAT WASHER M6	13
18	DIN 931	HEXAGONAL HEAD SCREW M6X10	12
19	DIN 912	ALLEN SCREW ROUND HEAD M6X10	4
20	DIN 603	ROUND-SQUARED SCREW M8X20	13
21	DIN 912	ALLEN SCREW ROUND HEAD M5X10	4
22	DIN 934	HEXAGONAL NUT M8	2

**11 Section Cutting Head**  
**Figure 5**

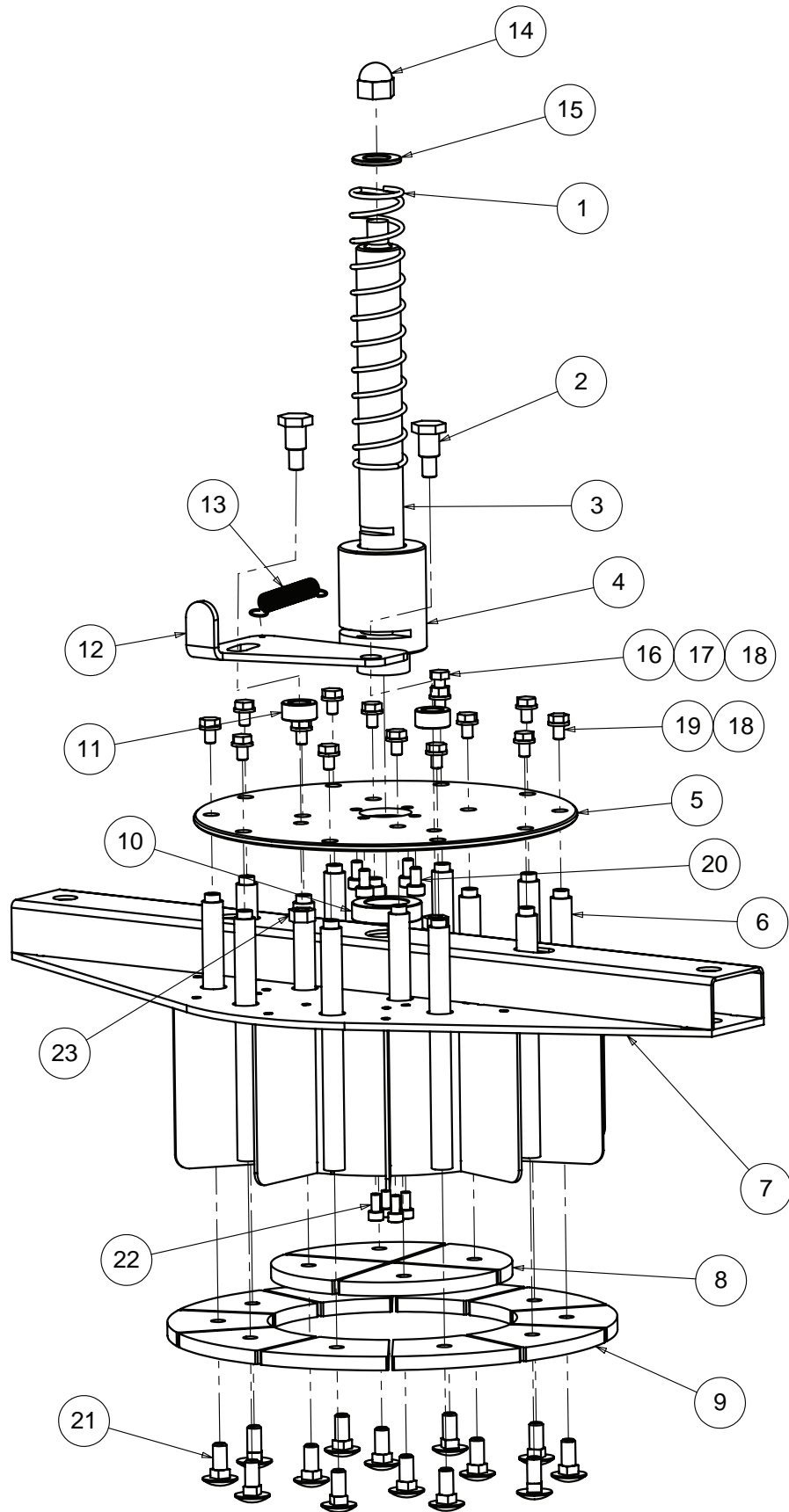


**14 Section Cutting Head**  
**Figure 6**

<u>Illus</u>	<u>Part No</u>	<u>Description</u>	<u>Qty</u>
	<i>S00003451</i>	<i>COMPLETE CUTTER HEAD ASSEMBLY</i>	
1	S85162045-1	TENSION SPRING	1
2	S01162044	LEVER PIVOT SCREW	2
3	S84162039-4	DRIVE SHAFT	1
4	S01162041	SHAFT BUSHING	1
5	S02162040	EXTRACTOR PLATE	1
6	S01162046	EXTRACTOR COLUMN	16
7	S02162037	HEAD ASSEMBLY	1
8	S01162047	CENTRAL EXTRACTOR BLADES	4
9	S01162048	EXTERNAL EXTRACTOR BLADES	10
10	S01162055	SHAFT BUSHING SPACER	1
11	S01162042	LEVELING SPACERS	2
12	S02162043	BLADE RELEASE LEVER	1
13	S08091045	LEVER SPRING	1
14	DIN 1587	BLIND NUT M12	1
15	DIN 433	FLAT WASHER M14	1
16	DIN 931	HEXAGONAL HEAD SCREW M6X20	1
17	DIN 934	HEXAGONAL NUT M6	1
18	DIN 433	FLAT WASHER M6	14
19	DIN 931	HEXAGONAL HEAD SCREW M6X10	13
20	DIN 912	ALLEN SCREW ROUND HEAD M6X10	4
21	DIN 603	ROUND-SQUARED SCREW M8X20	14
22	DIN 912	ALLEN SCREW ROUND HEAD M5X10	4
23	DIN 934	HEXAGONAL NUT M8	2

# 14 Section Cutting Head

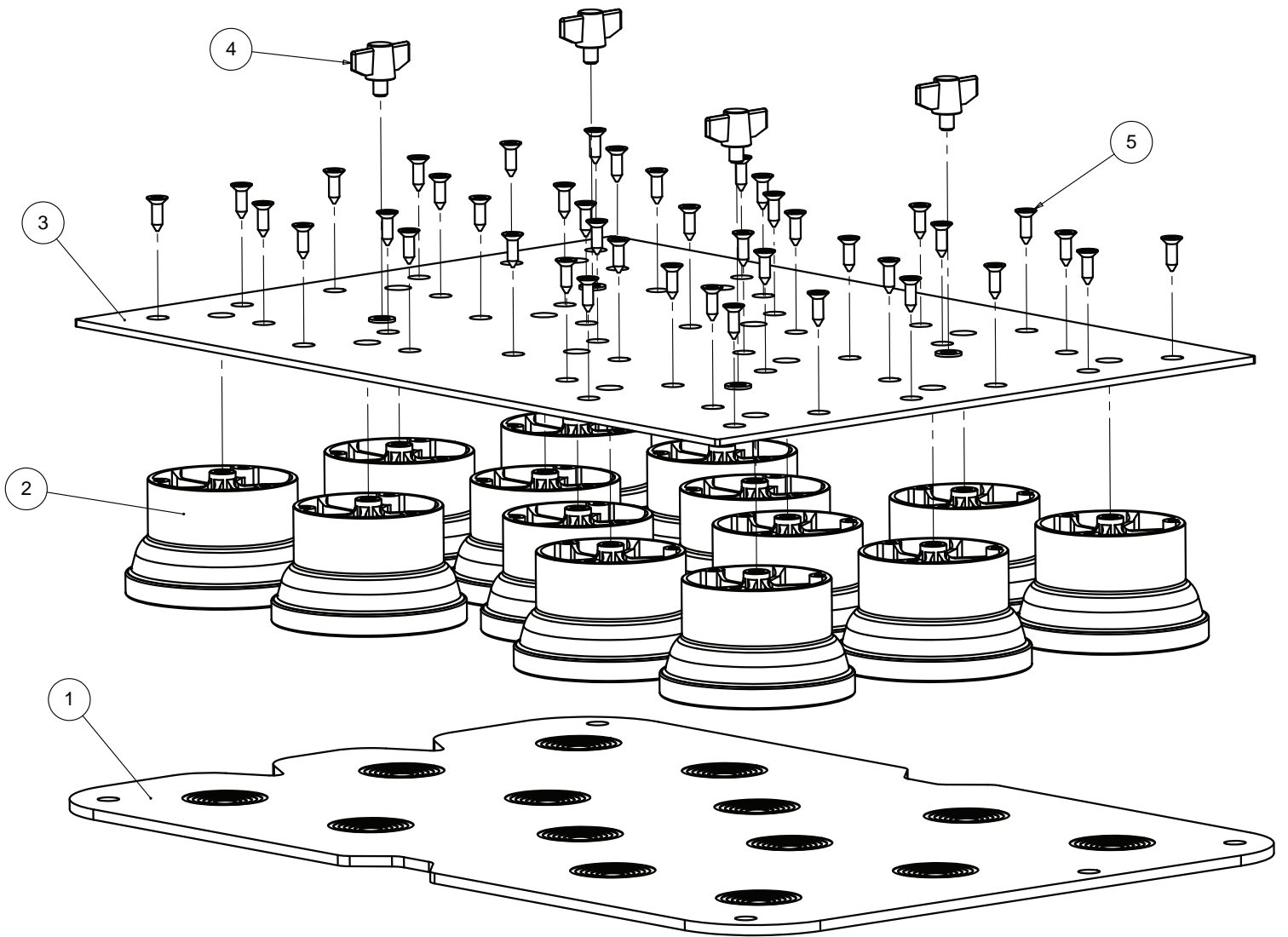
## Figure 6



**Cup Tray Assemblies**  
**Figure 7**

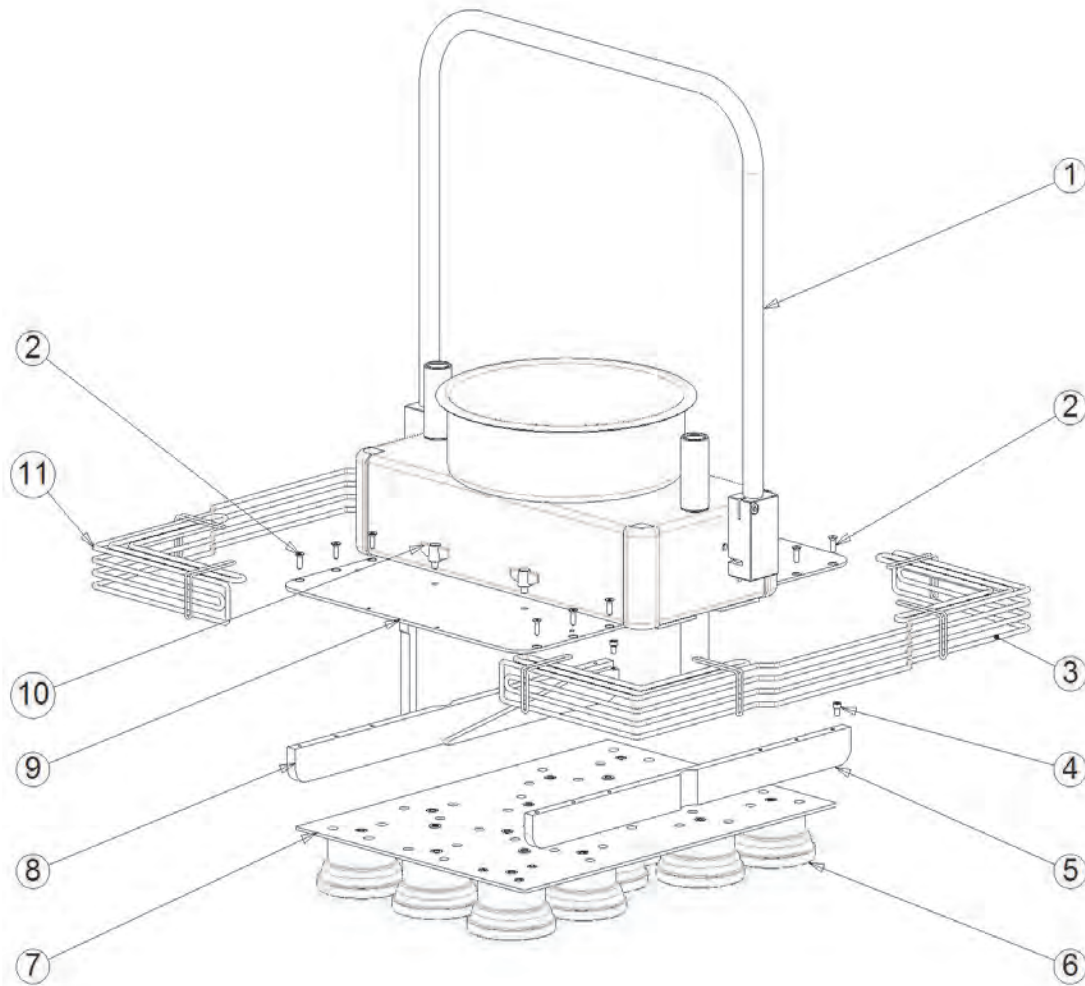
<b><u>Illus</u></b>	<b><u>Part No</u></b>	<b><u>Description</u></b>	<b><u>Qty</u></b>
<b><u>14 Cup Tray Assembly</u></b>			
1	S01162017-3	DOUGH BALLS CLEAR TRAY 14 PORTION	2
2a	<a href="#">S01162029</a>	TUB "A" RANGE - 8.9 - 10.5 Oz.	14
2b	<a href="#">S80162091</a>	TUB "B" RANGE - 6.2 - 7.9 Oz.	14
2c	S80162090	TUB "C" RANGE - 5.3 - 7.0 Oz.	14
2d	S80162029-4	TUB "D" RANGE - 3.9 - 5.3 Oz.	14
3	<a href="#">S86162070-2</a>	TUB PLATE	1
4	<a href="#">S14002301</a>	WING NUT	4
5	DIN 7982	SCREWS M6,3X19	42
<b><u>11 Cup Tray Assembly</u></b>			
1	S01162060	DOUGH BALLS GREEN TRAY 11 PORTION	2
2E	S01162088	TUB "E" RANGE - 17 - 22.9 Oz.	11
2F	S01162098	TUB "F" RANGE - 11.3 - 17 Oz.	11
3	S86162065	TUB PLATE	1
4	<a href="#">S14002301</a>	WING NUT	4
5	SDIN 7982	SCREWS M6,3X19	33

**Cup Tray Assemblies**  
**Figure 7**



## Cutting Base (NEW)

**Figure 8**

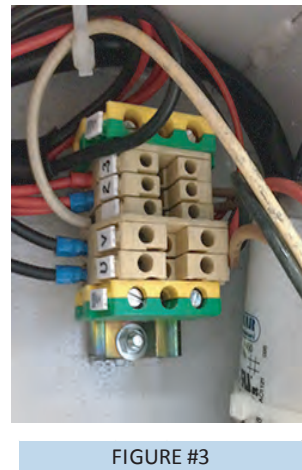
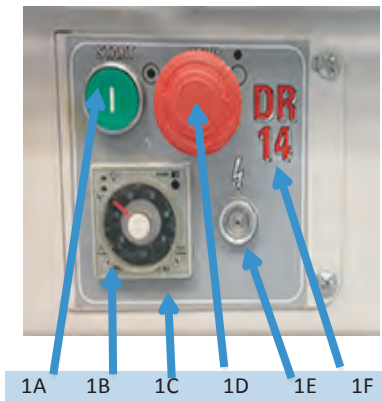


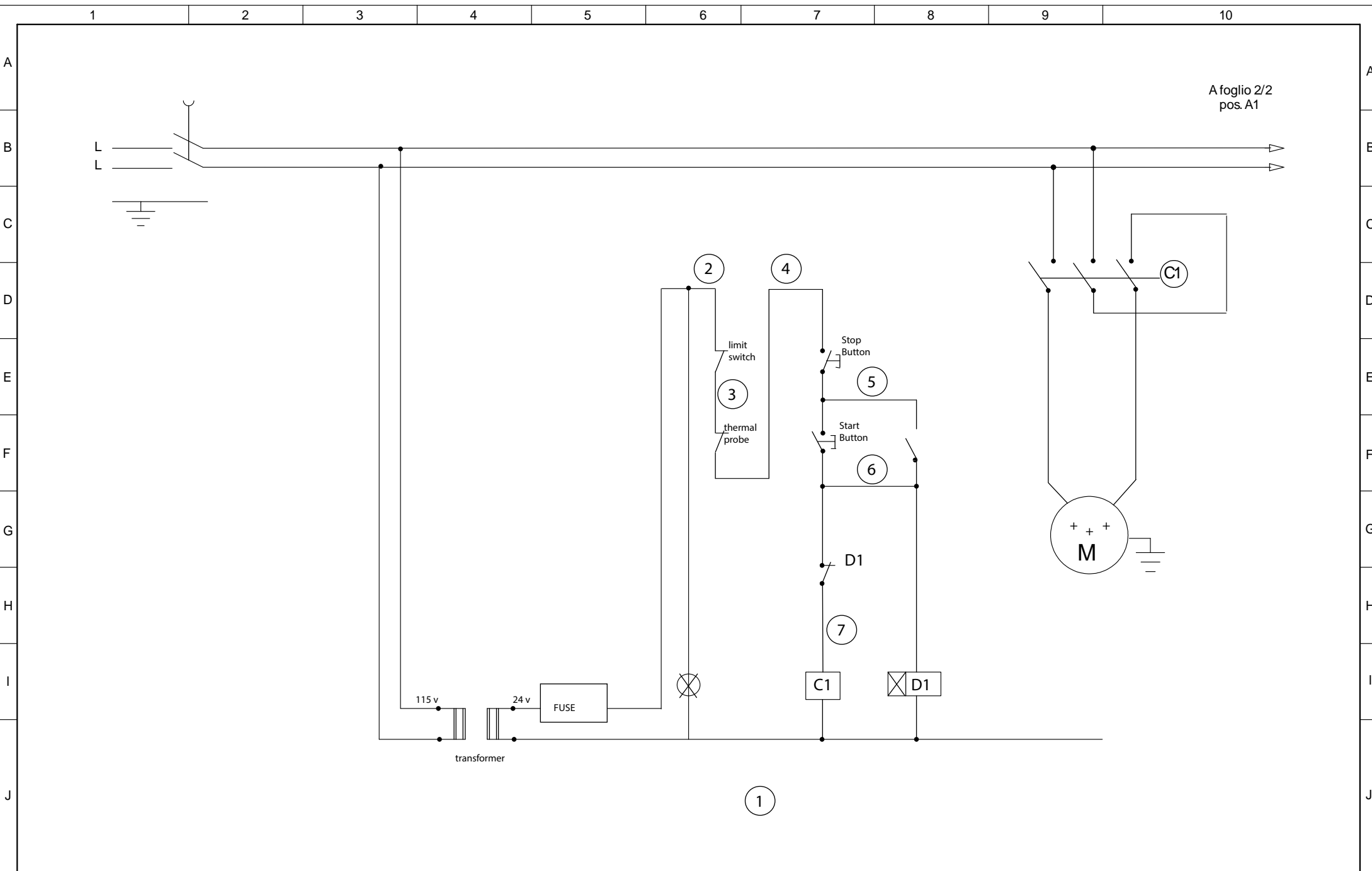
ILLUS	PART NUMBER	DESCRIPTION	QTY
1		NEW DOUBLE HANDLE BAR	1
2	DIN	SLIDE SCREWS	6
3	S85162018-4	PROTECTION GRID - RIGHT SIDE	1
4	DIN	REAR SLIDE SCREWS	2
5		RIGHT TUB PLATE SLIDE	1
6	check tubs page	TUBS	14 or 11
7	S86162065	TUB ALUMINUM PLATE	1
8		LEFT TUB PLATE SLIDE	1
9	S86162028-5	DR UPPER TUB PLATE	1
10	S14002302	WING NUT	4
11	S85162018-4	PROTECTION GRID - LEFT SIDE	

# ELECTRICAL COMPONENTS

Article	BRAND	FIGURE #	DESCRIPTION	SERIAL #	QTY	RECOMMENDED
Serigraphy	Tail Ox	1F	09-9162057	S9162057	1	
Control panel plate	Ense	1C	162058-1	S162058-1	1	
Main power switch DR	Allen Bradley	2	194L-E16-1752	S0000 3295	1	x
Start Button	Schneider	1A	XB4-BA3311	S25009081	1	x
Emergency Button	Schneider	1D	XB4-BS542	S25009061	1	x
Power light	Slim	1E	TBF 010SC5 TRASPARENTE 110V ac	S25009029	1	x
Relay	ABB	5	A16.30.10 110V ac	S25005074	1	x
Timer	Fiber	1B	T45 B43010806 110 V ac	S25007040	1	x
Microswitch	Crouzet	6	83,161,165	S00003296	1	x
Fuse Box	Omega		V1085 10A 250V 5x 20 mm	S25001204	1	
Fuse	Omega		FUSIB. CERAM. 5X20 500mA GT	S25001229	1	
Clamps	Elettrogibi	3	PA205	S25001126	1	
Power wire	Agencavi		AWG 16 NERO	S25001022	10 ft	
Aux wire	Agencavi		AWG 18 ROSSO	S25009021	7 ft	
Line Wire	Agencavi		3 x AWG 16	S25001061	10 ft	

**DR MOTOR**      **110V 60 Hz**      **0,3 KW 0,4HP 3240 rpm 5,2A 0,99 cos/φi cond.25micro/F**



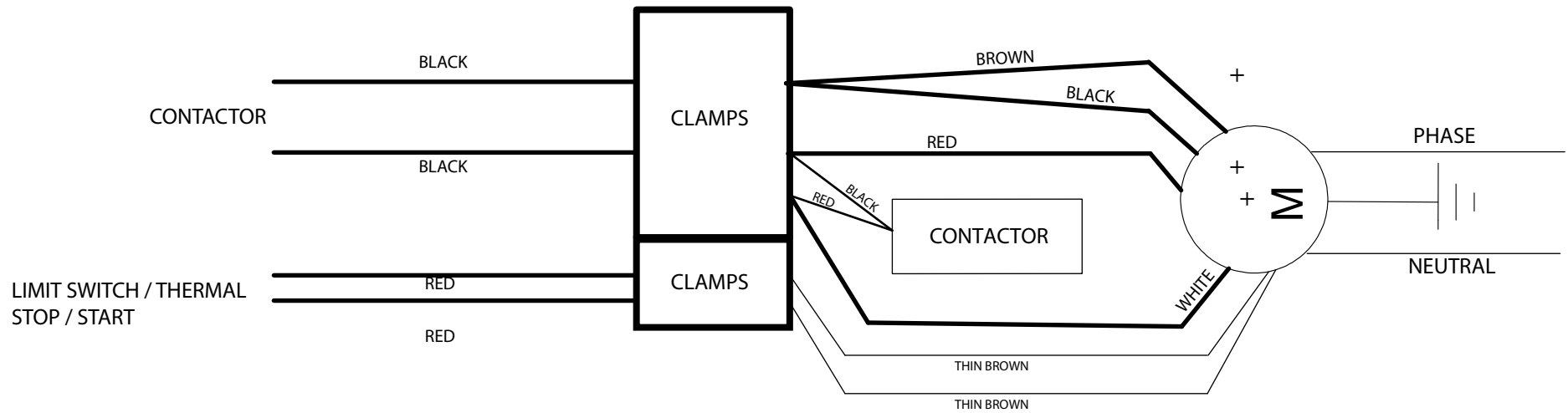


A foglio 2/2  
pos. A1



Description	sheet	Data	30/5/2014	Note
Circuit Diagram DR14-11 UL certi ed	1/2	Disegn.	-	
		Visto	-	

DR MOTOR WIRE CONNECTIONS



Description	sheet	Data	30/5/2014	Note
Circuit Diagram DR14-11 UL certified	2/2	Disegn.	-	
		Visto	-	

# Warranty

The Univex model DR1411 carry a one year on-site parts and labor warranty against any defects in materials or workmanship. The one-year period begins on the date of purchase by the end user and remains in full effect provided the unit is used properly in accordance with our instructions.

Any work to be performed under this warranty must be performed between the hours of 8:00 a.m. and 5:00 p.m. local time, Monday through Friday. Univex will not cover overtime charges of any kind.

Please call the Univex Warranty Service Department at (800) 258-6358 to report any warranty claims before arranging repair or attempting to return the unit to Univex Corporation.

Damages incurred in transit or incurred because of installation error, accident, alteration or misuse are not covered. Transit damages should be reported to the carrier immediately.

Univex will not be liable for any consequential, compensatory, incidental or special damages.

