

# *stella*

★ ★ ★ ★ ★ ★ ★ ★

# *epic*

SPARE  
PARTS



**Merci d'avoir choisi UNIC, premier fabricant français de machines espresso professionnelles depuis 1919.**

***Thank you for choosing UNIC, the first French manufacturer of professional espresso machines since 1919.***

Le fabricant se réserve le droit de modifier sans préavis les caractéristiques de l'appareil, dans un souci d'amélioration de ses performances.

Lire attentivement les consignes de sécurité avant toute utilisation.

*The manufacturer reserves the right to modify the appliances presented in this publication without notice.  
Read carefully the safety instructions before use.*

PIÈCES  
DÉTACHÉES

SE9000 06/2019

**UNIC**

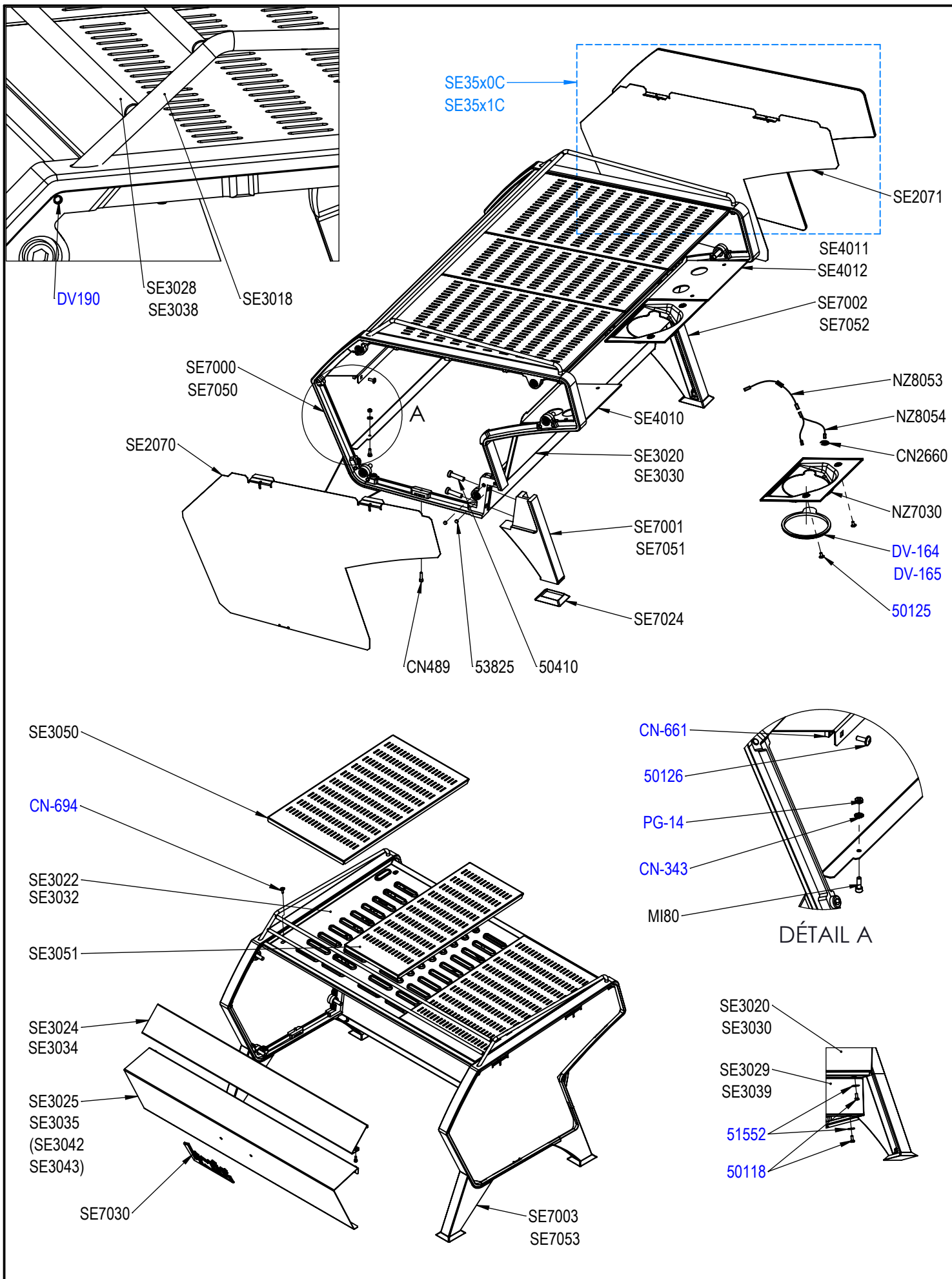


**PIECES DETACHEES**  
*SPARE PARTS*

<b>1XX</b>	<b>HABILLAGE</b>	<b>MACHINE CASING</b>
110	HABILLAGE EPIC	<i>EPIC CASING</i>
111	PERSONNALISATION	<i>PERSONALIZATION</i>
112	ENSEMBLE BASSINE	<i>OVERFLOW TRAY</i>
120	CALANDRE EPIC	<i>FRONT PANEL EPIC</i>
<b>2XX</b>	<b>SORTIES EXTERIEURES</b>	<b>EXTERNAL OUPUT</b>
200	ELECTROVANNE SORTIE VAPEUR	<i>STEAM OULTET ELECTROVALVE</i>
201	ENSEMBLE SORTIE VAPEUR ROBINET	<i>SET STEAM OUTLET TAP</i>
215	SORTIE VAPEUR COLD TOUCH	<i>COLD TOUCH STEAM OUTLET</i>
238	SORTIE STEMAIR	<i>STEAMAIR OUTLET</i>
246	SORTIE CAPPUCCINO PAR ASPIRATION	<i>CAPPUCCINO OUTLET</i>
250	TUBE, MITIGEUR & EV SORTIE EAU CHAUDE	<i>PIPE, MIXER &amp; EV HOT WATER OUTLET</i>
261	SORTIE EAU CHAUDE	<i>HOT WATER OUTLET</i>
<b>3XX</b>	<b>HYDRAULIQUE</b>	<b>HYDRAULIC SYSTEM</b>
302	CIRCUIT HYDRAULIQUE 2GR	<i>HYDRAULIC CIRCUIT 2GR</i>
303	CIRCUIT HYDRAULIQUE 3GR	<i>HYDRAULIC CIRCUIT 3GR</i>
325	POMPES 200L	<i>200L PUMPS</i>
330	NOURRICE D'ALIMENTATION	<i>WATER FEEDING UNIT</i>
331	DOSEURS D'ALIMENTATION	<i>WATER DOSING UNIT</i>
340	CHAUDIERE EPIC	<i>EPIC BOILER</i>
341	CHAUDIERE CAFE	<i>COFFEE BOILER</i>
345	GROUPE CAFE	<i>COFFEE GROUP</i>
350	BOITE DE DECOMPRESSION	<i>DRAIN BOX</i>
<b>4XX</b>	<b>CIRCUIT CAFE</b>	<b>COFFEE SYSTEM</b>
494	PORTE FILTRE AVEC CAPTEUR	<i>FILTER HOLDER WITH SENSOR</i>
497	PORTE FILTRE AVEC RFID	<i>FILTER HOLDER WITH RFID</i>
498	PORTE FILTRE POIGNEE LONGUE	<i>FILTER HOLDER LONG HANDLE</i>
<b>5XX</b>	<b>ELECTRONIQUE</b>	<b>ELECTRONIC SYSTEM</b>
500	COMPOSANTS ELECTRIQUES	<i>ELECTRICAL COMPONENTS</i>
510	TABEAU DE RACCORDEMENT ELECTRIQUE	<i>ELECTRIC CONNECTION PANEL</i>
520	CONNECTEURS & FUSIBLES CARTE MERE	<i>MOTHERBOARD CONNECTORS &amp; FUSES</i>
521	CABLES & CONNECTEURS CALANDRE	<i>CONNECTORS &amp; WIRES FRONT PANEL</i>
530	LISTES DES CABLES	<i>ELECTRICAL WIRES LISTING</i>
<b>6XX</b>	<b>OPTION/KIT</b>	<b>OPTION/KIT</b>
600	ACCESSOIRES	<i>ACCESSORIES</i>
601	PORTES FILTRES CUSTOM	<i>CUSTOM FILTER HOLDER</i>

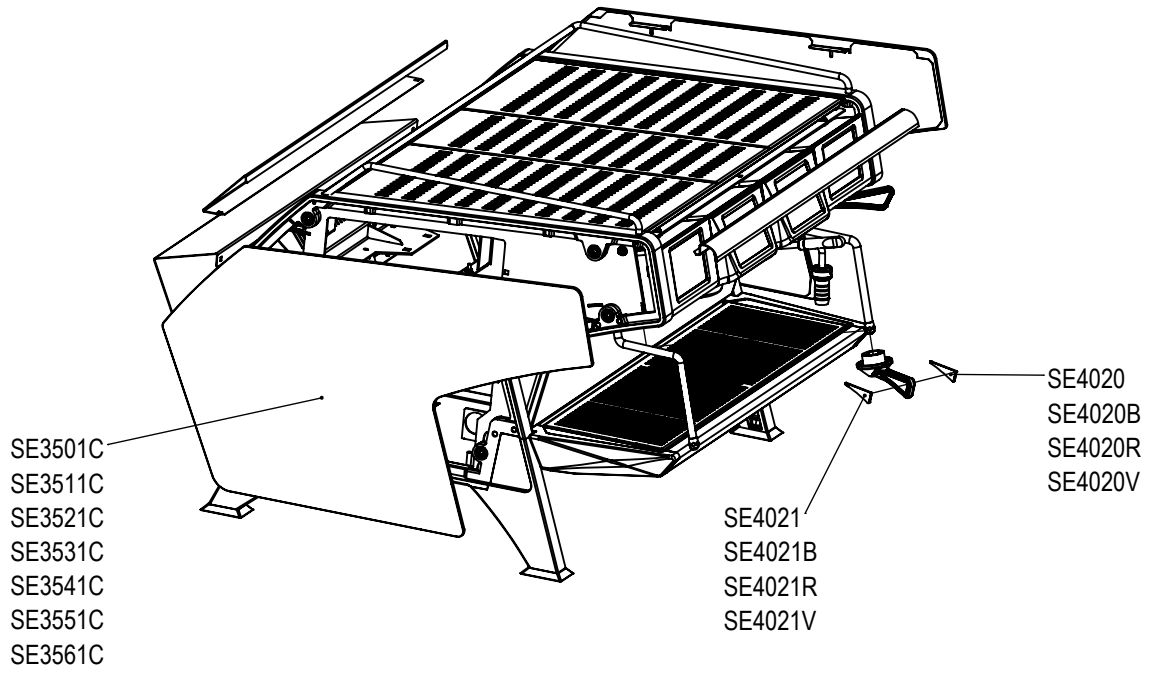
## PLANCHE - PLATE 110

REF	DESIGNATIONS FR	DESIGNATIONS GB
50118	VIS TH M4X10 INOX	S.STEEL SCREW M4X10
50125	VIS TB CRUCIFORME A EMBASE M4 x 8	CRUCIFORM SCREW M4 x 8
50126	VIS TB CRUCIFORME A EMBASE M4 x 12	CRUCIFORM SCREW M4 x 12
50410	VIS TC HC TETE BASSE M8x30	SCREW M8X30
51552	RONDELLE INOX 4.25x14x0.8	S..STEEL WASHER 4.25x14x0.8
53825	AIMANT CYLINDRIQUE D6x4	CYLINDRIC MAGNET D6x4
CN-2660	JOINT TORIQUE 1.78X6.75 EPDM	O-RING 1,78X6,75 EPDM
CN-343	RONDELLE EVENTAIL 4	WASHER 4
CN-489	VIS INOX CHC 4 x 16	SCREW M4 X 16
CN-661	ECROU CAGE M4, EP 1/1.6	INSERT NUT M4
CN-694	VIS POELIER M 4 X 12 INOX	SCREW M4 X 12
DV-164	JOINT POUR JUPETTE NSF	GASKET COVER
DV-165	JOINT POUR JUPETTE NSF CAPTEUR	GASKET COVER SENSOR
DV190	VIS STHC M4 X 6 BOUT POINTU	SCREW STHC M4 X 6
NZ7030	CACHE GROUPE	UNIT COVER
NZ8053	CABLE POUR LED GROUPE- EV	UNIT-EV CABLE FOR LED
NZ8054	CABLE LED GROUPE	LED UNIT CABLE
PG-14	ECROU M4	NUT M4
SE2070	SUPPORT DE PIECE COTE GAUCHE	LEFT HOLDER SIDE
SE2071	SUPPORT DE PIECE COTE DROIT	RIGHT HOLDER SIDE
SE3018	BARRIERE COTE CHAUFFE TASSES	FENCE CUP WARMER
SE3020	DEVANT 2 GROUPE	2 UNITS FRONT
SE3022	CHAUFFE TASSES 2GR	2 UNITS CUP WARMER
SE3024	ARRIERE CHAUFFE TASSES 2GR	2 UNITS CUP WARMER BACK
SE3025	CHEMISE ARRIERE 2GR	2 UNITS REAR CASING
SE3028	BARRIERE ARRIERE CHAUFFE TASSES 2GR	2 UNITS REAR FENCE CUP WARMER
SE3029	ENJOLIVER ARRIERE BASSINE 2GR	2 UNITS REAR ENJOLIVER BASIN
SE3030	DEVANT 3 GROUPE	3 UNITS FRONT
SE3032	CHAUFFE TASSES 3GR	3 UNITS CUP WARMER
SE3034	ARRIERE CHAUFFE TASSES 3GR	3 UNITS CUP WARMER BACK
SE3035	CHEMISE ARRIERE 3GR	3 UNITS REAR CASING
SE3038	BARRIERE ARRIERE CHAUFFE TASSES 3GR	3 UNITS REAR FENCE CUP WARMER
SE3039	ENJOLIVER ARRIERE BASSINE 3GR	3 UNITS REAR ENJOLIVER BASIN
SE3042	CHEMISE ARRIERE 2GR SANS TROUS	2 UNITS REAR CASING WITHOUT HOLE
SE3043	CHEMISE ARRIERE 3GR SANS TROUS	3 UNITS REAR CASING WITHOUT HOLE
SE3050	VERRIERE COTE	SIDE CUP RACK
SE3051	VERRIERE GROUPE	GROUP CUP RACK
SE4010	CACHE SORTIE EXTERIEURE GAUCHE	LEFT COVER OUTLET
SE4011	CACHE SORTIES EXTERIEURES DROITES (ROBINET)	RIGHT COVER OUTLET FOR TAP
SE4012	CACHE SORTIES EXTERIEURES DROITES (STEAMAIR)	RIGHT COVER OUTLET FOR STEAMAIR
SE7000	COTE STELLA EN INJECTION	SIDE EPIC
SE7001	PIED AVANT GAUCHE	LEFT FRONT FOOT
SE7002	PIED AVANT DROIT	RIGHT FRONT FOOT
SE7024	BASE PIED CAOUTCHOUC	FOOT BASE
SE7030	LOGO UNIC VINTAGE	VINTAGE UNIC
SE7050	COTE STELLA EN INJECTION NOIR	BLACK SIDE EPIC
SE7051	PIED AVANT GAUCHE NOIR	BLACK LEFT FRONT FOOT
SE7052	PIED AVANT DROIT NOIR	BLACK RIGHT FRONT FOOT
SE7053	PIED ARRIERE NOIR	BLACK REAR FOOT



## PLANCHE - PLATE 111

REF	DESIGNATIONS FR	DESIGNATIONS GB
SE3500C	COTE DROIT PLEXI "GLOSS WHITE"	RIGHT SIDE "GLOSS WHITE"
SE3501C	COTE GAUCHE PLEXI "GLOSS WHITE"	LEFT SIDE "GLOSS WHITE"
SE3502	CHEMISE ARRIERE 2GR "GLOSS WHITE"	2 UNITS REAR CASING "GLOSS WHITE"
SE3503	CHEMISE ARRIERE 3GR "GLOSS WHITE"	3 UNITS REAR CASING "GLOSS WHITE"
SE3504	ARRIERE CHAUFFE TASSES 2GR "GLOSS WHITE"	2 UNITS CUP WARMER BACK "GLOSS WHITE"
SE3505	ARRIERE CHAUFFE TASSES 3GR "GLOSS WHITE"	3 UNITS CUP WARMER BACK "GLOSS WHITE"
SE3510C	COTE DROIT PLEXI "GLOSS BLACK"	RIGHT SIDE "GLOSS BLACK"
SE3511C	COTE GAUCHE PLEXI "GLOSS BLACK"	LEFT SIDE "GLOSS BLACK"
SE3512	CHEMISE ARRIERE 2GR "GLOSS BLACK"	2 UNITS REAR CASING "GLOSS BLACK"
SE3513	CHEMISE ARRIERE 3GR "GLOSS BLACK"	3 UNITS REAR CASING "GLOSS BLACK"
SE3514	ARRIERE CHAUFFE TASSES 2GR "GLOSS BLACK"	2 UNITS CUP WARMER BACK "GLOSS BLACK"
SE3515	ARRIERE CHAUFFE TASSES 3GR "GLOSS BLACK"	3 UNITS CUP WARMER BACK "GLOSS BLACK"
SE3520C	COTE DROIT PLEXI "CARMINE RED"	RIGHT SIDE "CARMINE RED"
SE3521C	COTE GAUCHE PLEXI "CARMINE RED"	LEFT SIDE "CARMINE RED"
SE3522	CHEMISE ARRIERE 2GR "CARMINE RED"	2 UNITS REAR CASING "CARMINE RED"
SE3523	CHEMISE ARRIERE 3GR "CARMINE RED"	3 UNITS REAR CASING "CARMINE RED"
SE3524	ARRIERE CHAUFFE TASSES 2GR "CARMINE RED"	2 UNITS CUP WARMER BACK "CARMINE RED"
SE3525	ARRIERE CHAUFFE TASSES 3GR "CARMINE RED"	3 UNITS CUP WARMER BACK "CARMINE RED"
SE3530C	COTE DROIT PLEXI "CALIFORNIAN GREEN"	RIGHT SIDE "CALIFORNIAN GREEN"
SE3531C	COTE GAUCHE PLEXI "CALIFORNIAN GREEN"	LEFT SIDE "CALIFORNIAN GREEN"
SE3532	CHEMISE ARRIERE 2GR "CALIFORNIAN GREEN"	2 UNITS REAR CASING "CALIFORNIAN GREEN"
SE3533	CHEMISE ARRIERE 3GR "CALIFORNIAN GREEN"	3 UNITS REAR CASING "CALIFORNIAN GREEN"
SE3534	ARR. CHAUFFE TASSES 2GR "CALIFORNIAN GREEN"	2 UNITS CUP WARMER BACK "CALIFORNIAN GREEN"
SE3535	ARR. CHAUFFE TASSES 3GR "CALIFORNIAN GREEN"	3 UNITS CUP WARMER BACK "CALIFORNIAN GREEN"
SE3540C	COTE DROIT PLEXI "CHENE FONCE"	RIGHT SIDE "DARK OAK"
SE3541C	COTE GAUCHE PLEXI "CHENE FONCE"	LEFT SIDE "DARK OAK"
SE3542	CHEMISE ARRIERE 2GR "CHENE FONCE"	2 UNITS REAR CASING "DARK OAK"
SE3543	CHEMISE ARRIERE 3GR "CHENE FONCE"	3 UNITS REAR CASING "DARK OAK"
SE3544	ARRIERE CHAUFFE TASSES 2GR "CHENE FONCE"	2 UNITS CUP WARMER BACK "DARK OAK"
SE3545	ARRIERE CHAUFFE TASSES 3GR "CHENE FONCE"	3 UNITS CUP WARMER BACK "DARK OAK"
SE3550C	COTE DROIT PLEXI "CHENE CLAIR"	RIGHT SIDE "LIGHT OAK"
SE3551C	COTE GAUCHE PLEXI "CHENE CLAIR"	LEFT SIDE "LIGHT OAK"
SE3552	CHEMISE ARRIERE 2GR "CHENE CLAIR"	2 UNITS REAR CASING "LIGHT OAK"
SE3553	CHEMISE ARRIERE 3GR "CHENE CLAIR"	3 UNITS REAR CASING "LIGHT OAK"
SE3554	ARRIERE CHAUFFE TASSES 2GR "CHENE CLAIR"	2 UNITS CUP WARMER BACK "LIGHT OAK"
SE3555	ARRIERE CHAUFFE TASSES 3GR "CHENE CLAIR"	3 UNITS CUP WARMER BACK "LIGHT OAK"
SE3560C	COTE DROIT "INOX ONDULE"	RIGHT SIDE "WAVY STAINLESS STEEL"
SE3561C	COTE GAUCHE "INOX ONDULE"	LEFT SIDE "WAVY STAINLESS STEEL"
SE3562	CHEMISE ARRIERE 2GR "INOX ONDULE"	2 U. REAR CASING "WAVY STAINLESS STEEL"
SE3563	CHEMISE ARRIERE 3GR "INOX ONDULE"	3 U. REAR CASING "WAVY STAINLESS STEEL"
SE3564	ARRIERE CHAUFFE TASSES 2GR "INOX ONDULE"	2 U. CUP WARMER BACK "WAVY STAINLESS STEEL"
SE3565	ARRIERE CHAUFFE TASSES 3GR "INOX ONDULE"	3 U. CUP WARMER BACK "WAVY STAINLESS STEEL"
SE4020	STICKER POIGNEE EPIC DROITE NOIR	BLACK STICKER HANDLE RIGHT EPIC
SE4020B	STICKER POIGNEE EPIC DROITE BLANC	WHITE STICKER HANDLE RIGHT EPIC
SE4020R	STICKER POIGNEE EPIC DROITE ROUGE	RED STICKER HANDLE RIGHT EPIC
SE4020V	STICKER POIGNEE EPIC DROITE VERT	GREEN STICKER HANDLE RIGHT EPIC
SE4021	STICKER POIGNEE EPIC GAUCHE NOIR	BLACK STICKER HANDLE LEFT EPIC
SE4021B	STICKER POIGNEE EPIC GAUCHE BLANC	WHITE STICKER HANDLE LEFT EPIC
SE4021R	STICKER POIGNEE EPIC GAUCHE ROUGE	RED STICKER HANDLE LEFT EPIC
SE4021V	STICKER POIGNEE EPIC GAUCHE VERT	GREEN STICKER HANDLE LEFT EPIC



Gloss White  
SE350X



Gloss Black  
SE351X



Carmine Red  
SE352X



Californian Green  
SE353X



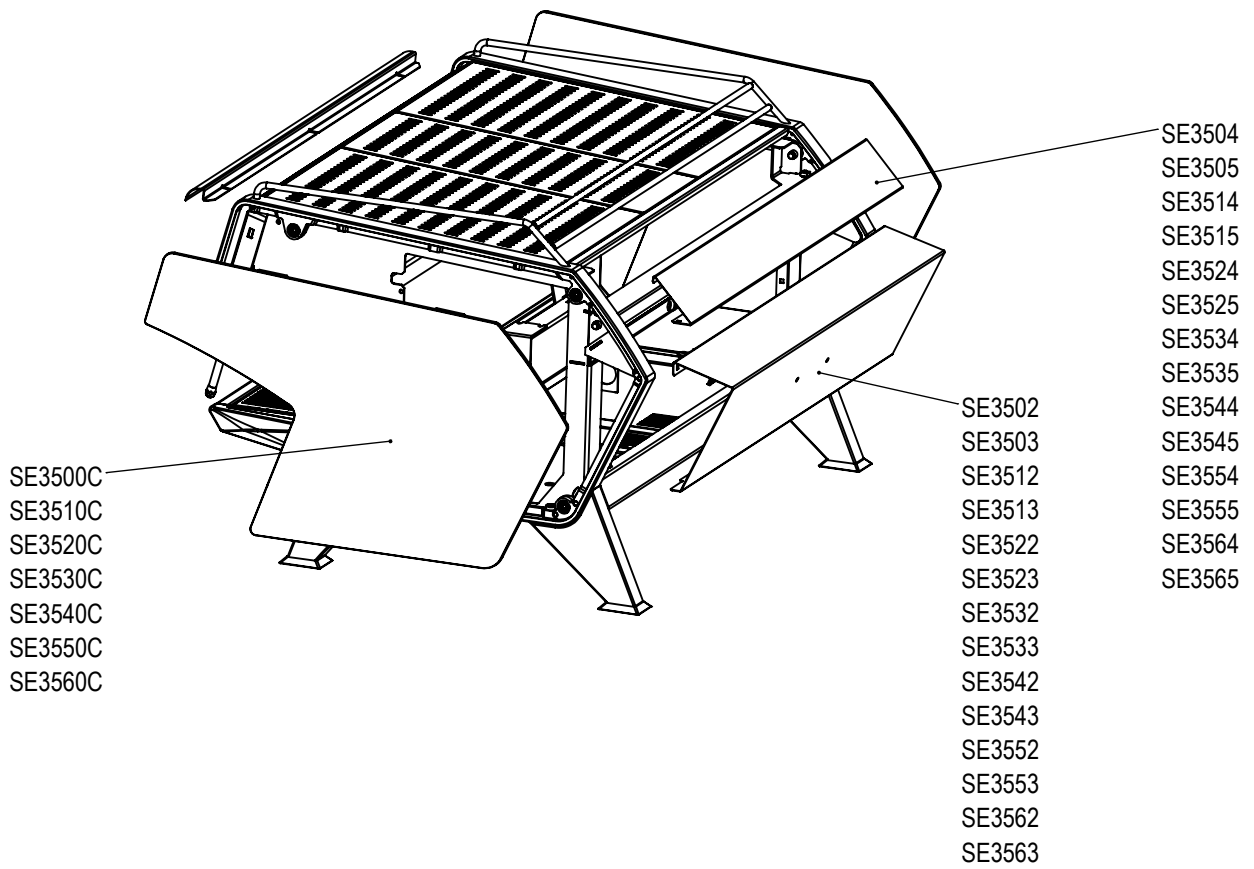
Chêne foncé  
SE354X



Chêne clair  
SE355X

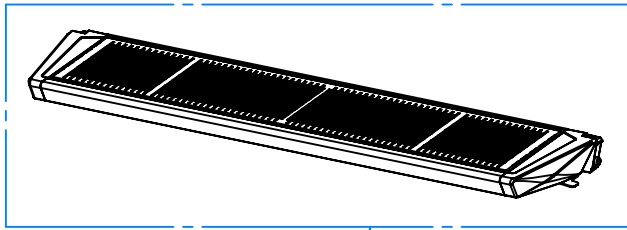


Inox Ondulée  
SE356X

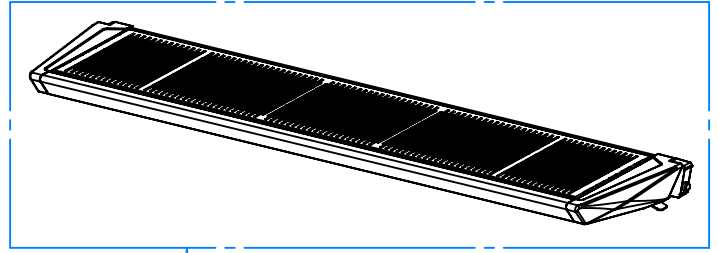


**PLANCHE - PLATE 112**

<b>REF</b>	<b>DESIGNATIONS FR</b>	<b>DESIGNATIONS GB</b>
CN-128	VIS INOX TF M4 X 8	SCREW M4 X 8
DO-195	VIS ACIER INOX TC 4 X 12	SCREW M4 X 12
NZ2045	GRILLE DE BASSINE 3GR	3 UNITS OVERFLOW TRAY GRID
PA-43	RESSORT F15/10 L14,5 D10,5 P3	SPRING
PG-15B	RONDELLE INOX 4.2X10X0.8	WASHER
SE1012	ASSEMBLAGE BASSINE REGLABLE 2GR	2 UNITS ADJUSTABLE OVERFLOW TRAY
SE1013	ASSEMBLAGE BASSINE REGLABLE 3GR	3 UNITS ADJUSTABLE OVERFLOW TRAY
SE2002	GACHETTE REGLAGE BASSINE	TRIGGER ADJUSTMENT
SE3002	BASSINE 2GR SOUDEE	2 UNITS WELDED BASIN
SE3003	BASSINE 3GR SOUDEE	3 UNITS WELDED BASIN
SE3022	CHAUFFE TASSES 2GR	2 UNITS CUP WARMER
SE3023	HABILLAGE BASSINE 2GR	2 UNITS OVERFLOW TRAY
SE3027	CHEMISE ARRIERE 2GR	2 UNITS REAR CASING
SE3037	CHEMISE ARRIERE 3GR	3 UNITS REAR CASING
SE4001	PIGE VERROU BASSINE	LOCK PIN
SE7010	JOUE BASSINE GAUCHE	LEFT ORNAMENTAL OVERFLOW TRAY
SE7011	JOUE BASSINE DROITE	RIGHT ORNAMENTAL OVERFLOW TRAY



SE1012



SE1013

NZ2045

SE3027  
SE3037

A

SE3002  
SE3003

SE3023  
SE3033

SE7011

SE4001

PA-43

SE7010

SE2002

CN128

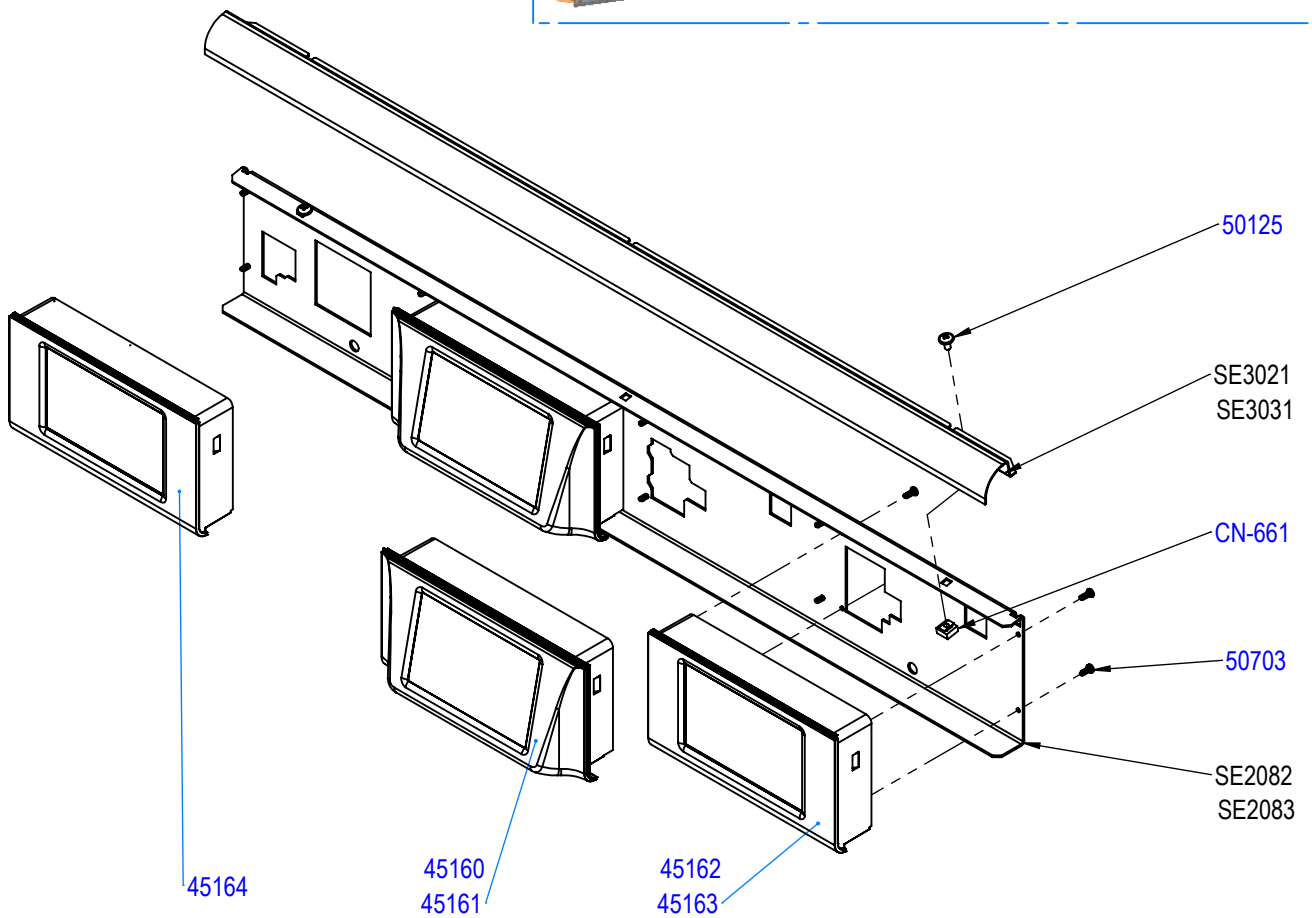
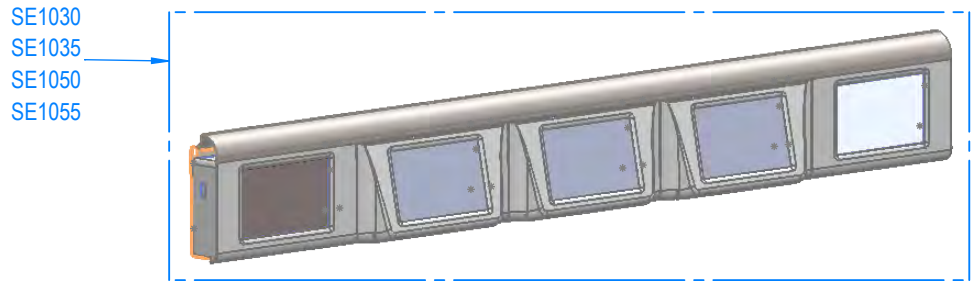
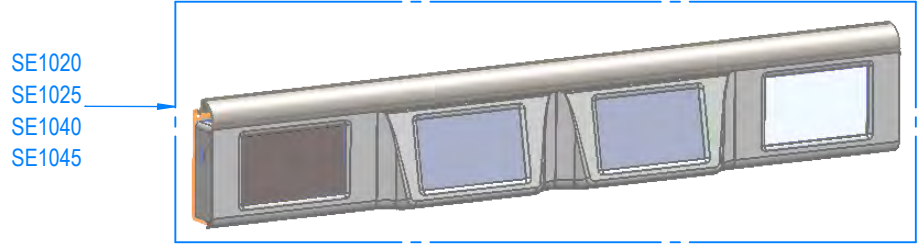
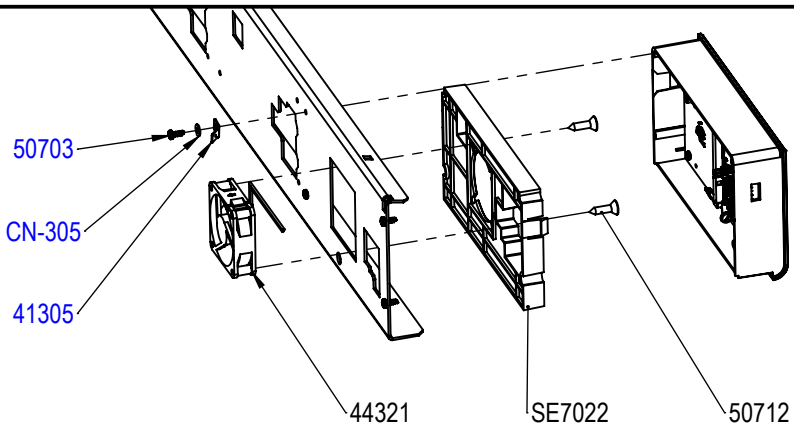
PG-15B

DO-195

Loctite 262

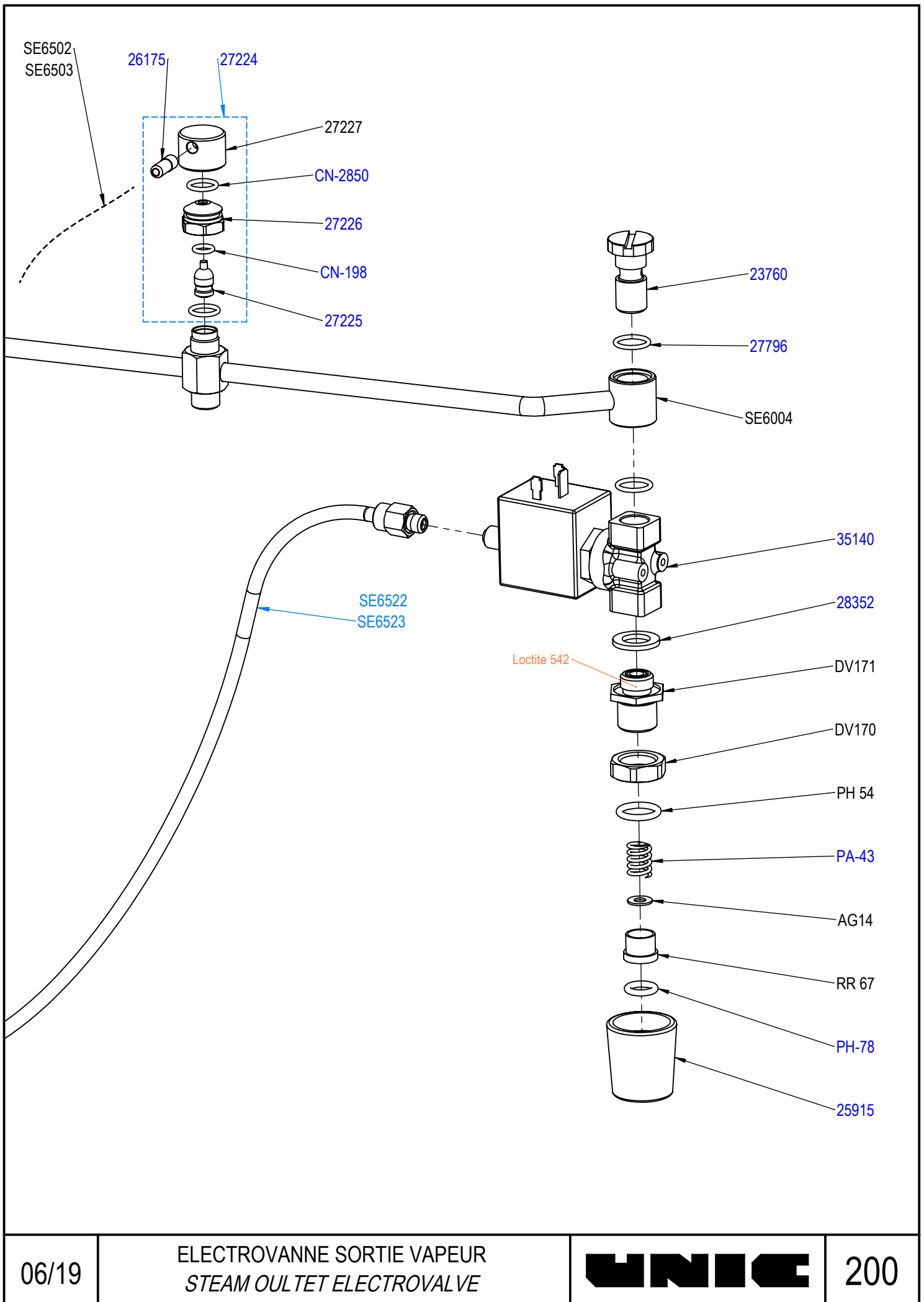
## PLANCHE - PLATE 120

REF	DESIGNATIONS FR	DESIGNATIONS GB
41305	FASTON MALE A VISSER	MALE FASTON PIN
44321	VENTILATEUR CABLE AVEC CONNECTEUR	FAN WITH WIRE
45160	BOITIER GROUPE DOSAMAT EPIC	4 DOSES ELECTRONIC BOX
45161	BOITIER GROUPE 4 DOSES EPIC	DOSAMAT ELECTRONIC BOX
45162	BOITIER STEAMAIR EPIC	STEAMAIR ELECTRONIC BOX
45163	BOITIER EAU CHAUDE EPIC	HOT WATER ELECTRONIC BOX
45164	BOITIER BTA EPIC	BTA ELECTRONIC BOX
50125	VIS TB CRUCIFORME A EMBASE M4 x 8	CRUCIFORM SCREW M4 x 8
50703	VIS PARKER N6 9.5 SP CRUCIF.	PARKER SCREW
50712	VIS CRUCIFORME 4.8 x 13	SCREW 4.8 X 13
CN-305	RONDELLE EN LAITON M3	BRASS RING M3
CN-661	ECROU CAGE M4, EP 1/1.6	INSERT NUT M4
SE1020	CALANDRE EPIC 2GR 4 DOSES / EAU CHAUDE	4 DOSES / HOT WATER 2 UNITS FRONT PANEL
SE1025	CALANDRE EPIC 2GR 4 DOSES / STEAMAIR	4 DOSES / STEAMAIR 2 UNITS FRONT PANEL
SE1030	CALANDRE EPIC 3GR 4 DOSES / EAU CHAUDE	4 DOSES / HOT WATER 3 UNITS FRONT PANEL
SE1035	CALANDRE EPIC 3GR 4 DOSES / STEAMAIR	4 DOSES / STEAMAIR 3 UNITS FRONT PANEL
SE1040	CALANDRE EPIC 2GR DOSAMAT / EAU CHAUDE	DOSAMAT / HOT WATER 2 UNITS FRONT PANEL
SE1045	CALANDRE EPIC 2GR DOSAMAT / STEAMAIR	DOSAMAT / STEAMAIR 2 UNITS FRONT PANEL
SE1050	CALANDRE EPIC 3GR DOSAMAT / EAU CHAUDE	DOSAMAT / HOT WATER 3 UNITS FRONT PANEL
SE1055	CALANDRE EPIC 3GR DOSAMAT / STEAMAIR	DOSAMAT / STEAMAIR 3 UNITS FRONT PANEL
SE2082	SUPPORT CALANDRE 2GR	2 UNITS HOLDER FRONT PANEL
SE2083	SUPPORT CALANDRE 3GR	3 UNITS HOLDER FRONT PANEL
SE3021	DESSUS DE CALANDRE 2GR	2 UNITS FRONT PANEL TOP
SE3031	DESSUS DE CALANDRE 3GR	3 UNITS FRONT PANEL TOP
SE7022	COUVERCLE BOITIER	COVER BOX



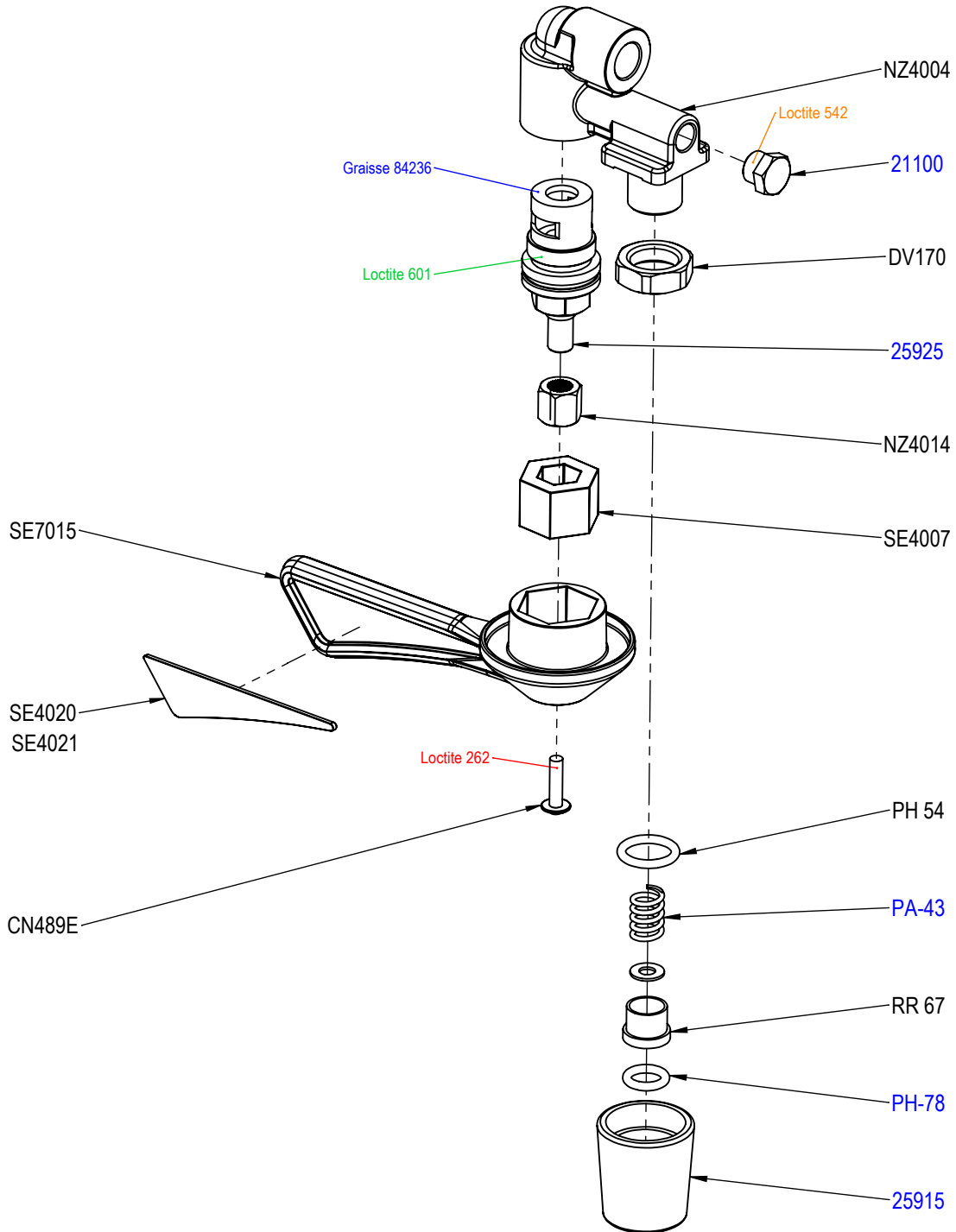
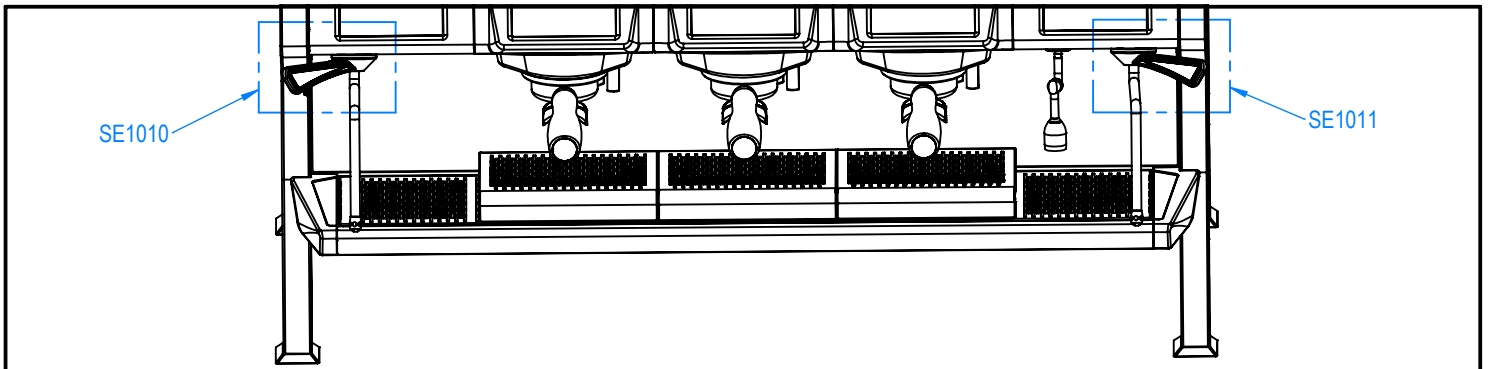
**PLANCHE - PLATE 200**

<b>REF</b>	<b>DESIGNATIONS FR</b>	<b>DESIGNATIONS GB</b>
23760	AXE BANJO 1/4	BANJO SCREW 1/4
25915	CACHE SORTIE EAU VAPEUR	COVER OUTLET STEAM WATER
26175	EMBOUT M6	M6 NOZZLE
27224	KIT VALVE DE PURGE	VACCUM VALVE KIT
27225	TIGE VALVE SPHERIQUE	SPHERICAL ROD
27226	ECROU VALVE DE PURGE	VACCUM VALVE NUT
27227	CABOCHON VALVE DE PURGE	STOPPER PURGE VALVE
27796	JOINT TORIQUE 1,78 X 12,42 NEXUS	O RING 1.78 X 12,42
28352	JOINT PLAT 20X12X2 EPDM 70SH	GASKET 20X12X2
35140	ELECTROVANNE 3/2 24V-50/60Hz	ELECTROVALVE 3/2 24V-50/60
AG-14	JOINT CUIVRE M12	COPPER GASKET
CN-198	JOINT TORIQUE 1,78X6,07 FKM	GASKET - 6.07 x 1.78
CN-2850	JOINT TORIQUE 1,78X10,82	GASKET 10.82x1.78
DV-170	ECROU CHROME	NUT 3/8
DV-171	RACCORD 3/8-1/4	FITTING 3/8
PA-43	RESSORT F15/10 L14,5 D10,5 P3	SPRING
PH-54	JOINT TORIQUE 2,62X13,95 EPDM	O RING - 13.95 x 2.62
PH-78	JOINT TORIQUE 2,62X9,13 EPDM	O RING - 9,13 X 2,62
RR-67	EMBOUT LAITON	BRASS END
SE6004	TUBE EV VAPEUR	STEAM ELECTROVALVE PIPE
SE6502	TUBE VALVE DE PURGE 2GR	2 UNITS VACCUM VALVE PIPE
SE6503	TUBE VALVE DE PURGE 3GR	3 UNITS VACCUM VALVE PIPE
SE6522	TUBE DECOMPRESSION EV VAPEUR 2GR	2 UNITS DECOMPRESSION PIPE
SE6523	TUBE DECOMPRESSION EV VAPEUR 3GR	3 UNITS DECOMPRESSION PIPE



**PLANCHE - PLATE 201**

<b>REF</b>	<b>DESIGNATIONS FR</b>	<b>DESIGNATIONS GB</b>
21100	BOUCHON 1/8	PLUG 1/8
25915	CACHE SORTIE EAU VAPEUR	COVER OUTLET STEAM WATER
25925	CARTOUCHE CERAMIQUE	CERAMIC CARTRIDGE
CN-489E	VIS INOX CHC 4 x 16 A EMBASE	SCREW M4 X 16 WITH BASE
DV-170	ECROU CHROME	NUT 3/8
NZ4004	ROBINET VAPEUR	STEAM TAP
NZ4014	INSERT POIGNEE ROBINET	STEAM HANDLE INSERT
PA-43	RESSORT F15/10 L14,5 D10,5 P3	SPRING
PH-54	JOINT TORIQUE 2,62X13,95 EPDM	O RING - 13.95 x 2.62
PH-78	JOINT TORIQUE 2,62X9,13 EPDM	O RING - 9,13 X 2,62
RR-67	EMBOUT LAITON	BRASS END
SE1010	ENSEMBLE ROBINET GAUCHE	TAP ASSEMBLY LEFT
SE1011	ENSEMBLE ROBINET DROIT	TAP ASSEMBLY RIGHT
SE4007	INSERT POIGNEE PEEK	INSERT HANDLE PEEK
SE4020	STICKER POIGNEE EPIC DROITE	STICKER HANDLE RIGHT EPIC
SE4021	STICKER POIGNEE EPIC GAUCHE	STICKER HANDLE LEFT EPIC
SE7015	POIGNEE VAPEUR EPIC	STEAM HANDLE



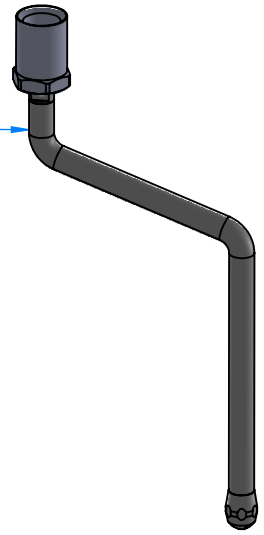
**PLANCHE - PLATE 215**

<b>REF</b>	<b>DESIGNATIONS FR</b>	<b>DESIGNATIONS GB</b>
25933	ECROU POUR TUBE	<i>NUT FOR PIPE</i>
25941	EMBOUT INOX 4 TROUS	<i>4 HOLES END PIPE</i>
25942	SORTIE VAPEUR COMPLETE INOX COLD TOUCH	<i>COLD TOUCH STEAM OUTLET STAINLESS</i>
25947	SORTIE VAPEUR COMPLETE NOIRE COLD TOUCH	<i>COLD TOUCH STEAM OUTLET BLACK</i>

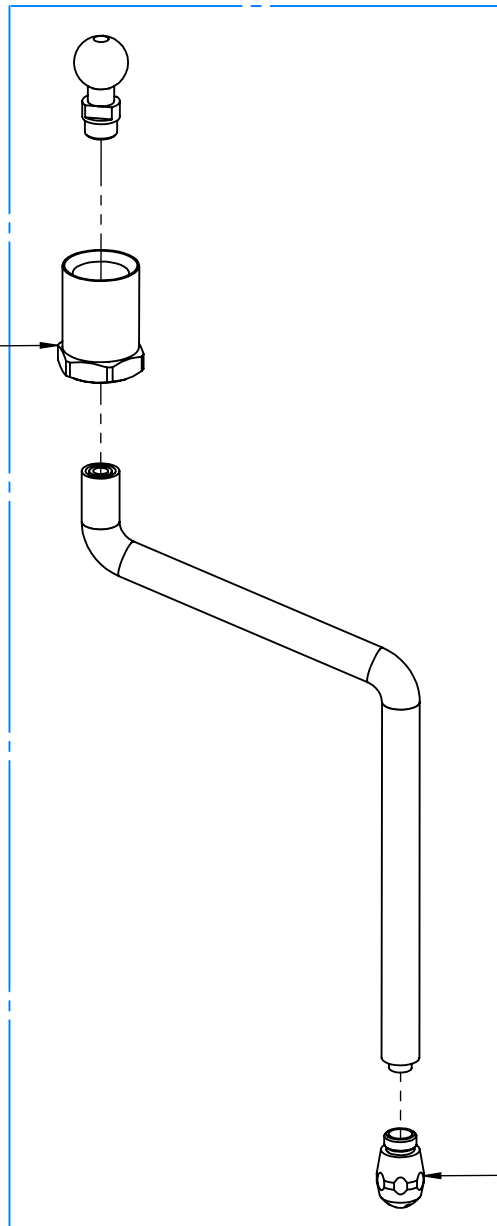


25947

25942



25933



25942  
25947

25941

**PLANCHE - PLATE 238**

<b>REF</b>	<b>DESIGNATIONS FR</b>	<b>DESIGNATIONS GB</b>
25905	SUPPORT DE SONDE	PROBE SUPPORT
25907	TUBE PTFE STEAMAIR	PTFE STEAMAIR PIPE
25909	EMBOUT PTFE 12 TROUS	12 HOLES END PIPE
CN-436	JOINT TORIQUE 1,78X8,73 EPDM	GASKET 8,73 X 1,78
NZ1020	SORTIE STEAMAIR STELLA	STELLA STEAMAIR OUTLET
NZ8001	SONDE VAPEUR THERMOSTATEE	THERMOSTATED STEAM PROBE
PC-38	VIS STHC M5X8 BOUT POINTU	POINT END SCREW
RO-55	BARILLET	BARREL
RO-57	MELANGEUR EN LAITON	MIXER
RO-58	POUSSOIR A BILLE	THRUST BALL BEARING
RO-59A	TUBE SORTIE VAPEUR SP	CHROME COPPER TUBE
RO-68	CACHE BARILLET	BARREL COVER

NZ1020

RO59A

RO-55

PC-38

NZ8001

CN-436

RO-58

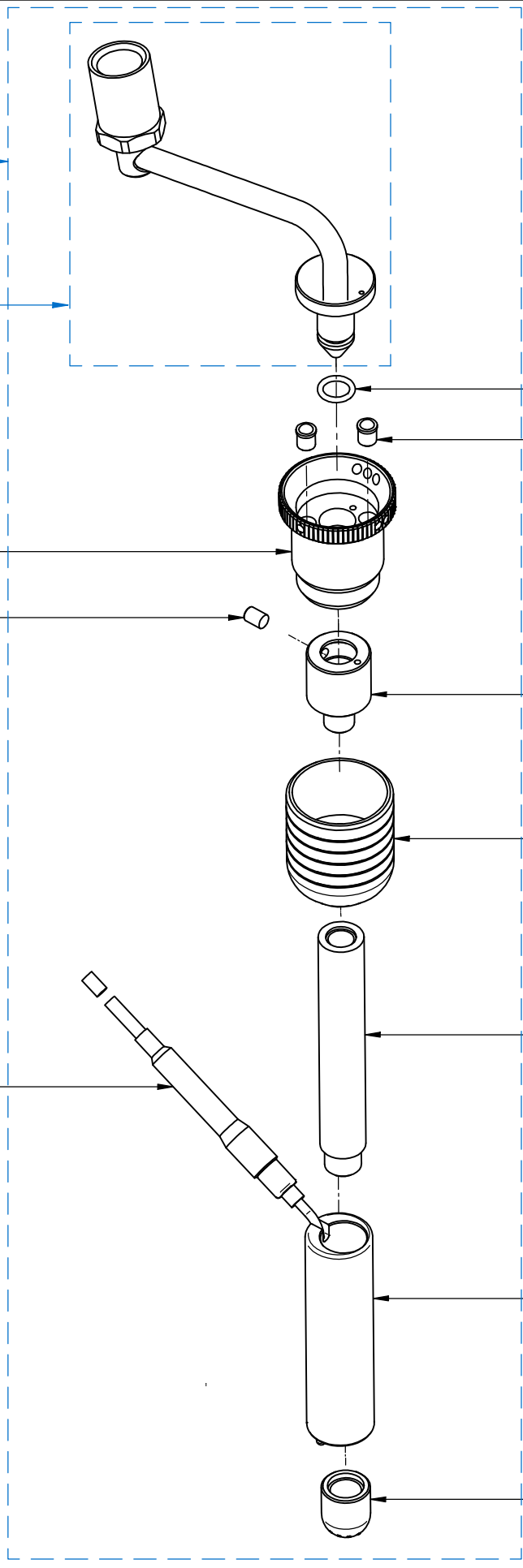
RO-57

RO-68

25907

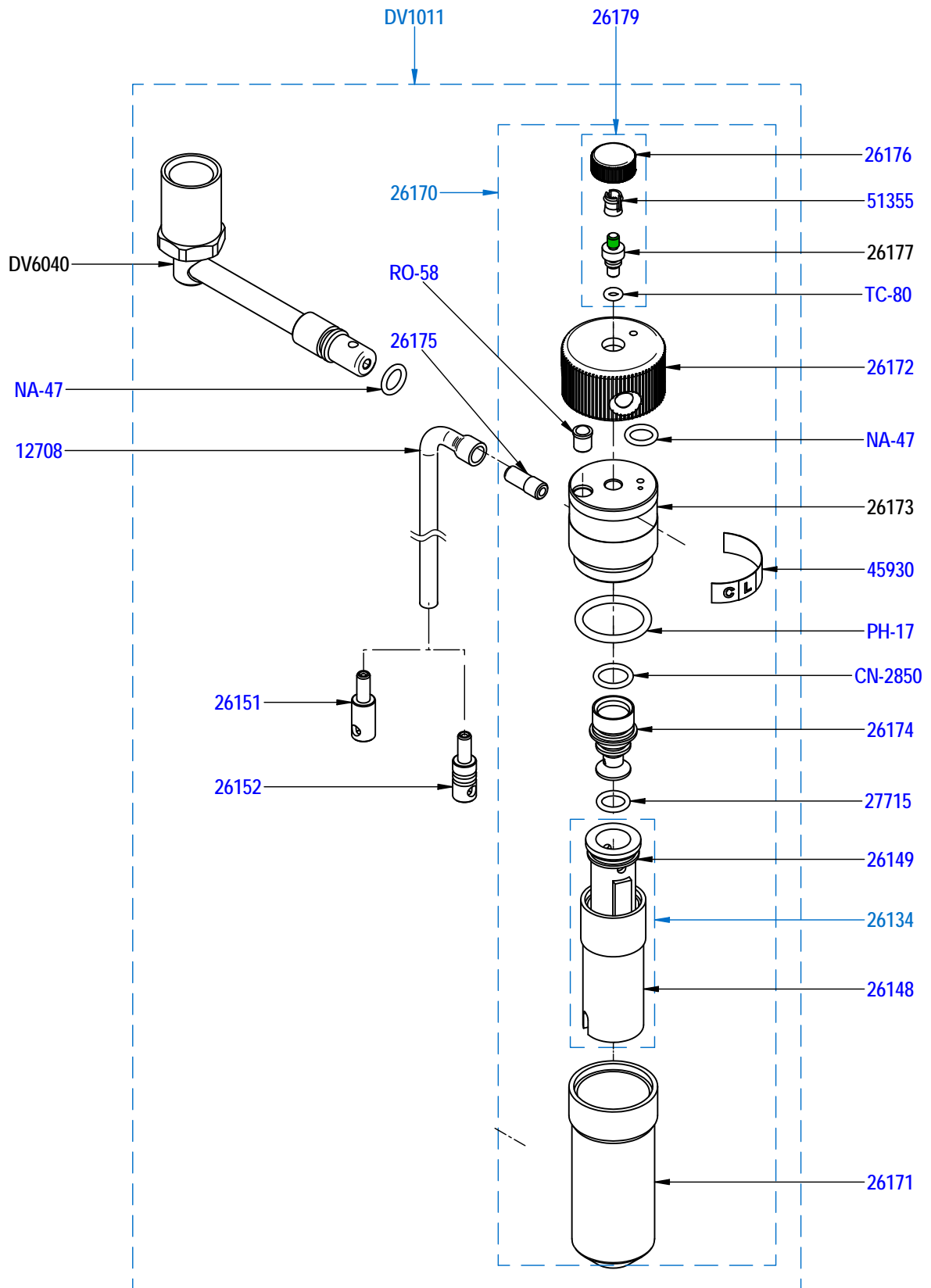
25905

25909



**PLANCHE - PLATE 246**

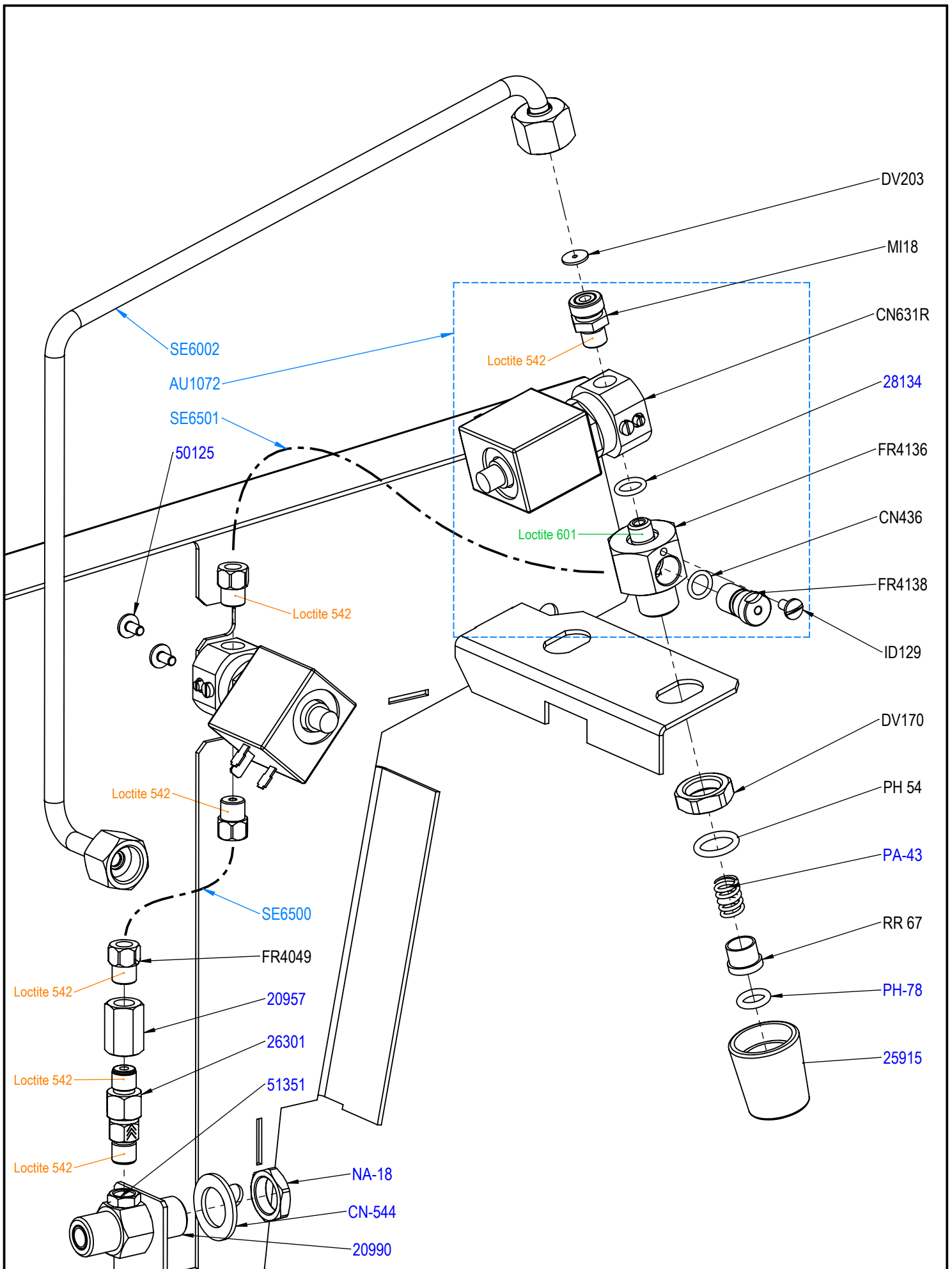
<b>REF</b>	<b>DESIGNATIONS FR</b>	<b>DESIGNATIONS GB</b>
12708	TUBE SILICONE CAPPUCCINATORE L	CAPPUCCINATORE SILICON PIPE
26134	CAPPUCCINO IDEA	CAPPUCCINATORE
26148	BRISE JET	ANTI PLASH PLUG
26149	MOUSSEUR	FROTHER
26151	REDUCTEUR CAPPUCCINATORE D1.7	CAPPUCCINATORE REDUCER D1.7
26152	REDUCTEUR CAPPUCCINATORE D2	CAPPUCCINATORE REDUCER D2
26170	SORTIE CAPPUCCINATORE LC	LC CAPPUCCINATORE OUTLET
26171	BEC VERSEUR	SPOUT
26172	MANETTE	LEVER
26173	CORPS	BODY
26174	MELANGEUR	MIXER
26175	EMBOUT M6	M6 NOZZLE
26176	MOLETTE VIS	SCREW PLUG
26177	AXE M4	M4 AXLE
26179	VIS M4 COMPLET	WHOLE M4 SCREW
27715	JOINT TORIQUE 1,78X8,73 SILICONE	GASKET 8,73 X 1,78
45930	ETIQUETTE LC	LC STICKER
51255	VIS TH M6 X 10 INOX	S. STEEL SCREW M6 X 10
CN-2850	JOINT TORIQUE 1,78X10,82	GASKET 10.82x1.78
DV1011	KIT CAPPUCCINATORE COMPLET	WHOLE CAPPUCCINATORE KIT
DV6040	TUBE CUIVRE LC	LC COPPER PIPE
NA-47	JOINT TORIQUE 1.78X7.66 EPDM	O RING - 1.78 X 7.66 EPDM
PH-17	JOINT TORIQUE 2,62X20,63 EPDM	GASKET 20,63 X 2,62
RO-58	POUSSOIR A BILLE	THRUST BALL BEARING
TC-80	JOINT TORIQUE 1,78X2,90 FKM	GASKET 1.78X2.90 FKM



Loctite 601

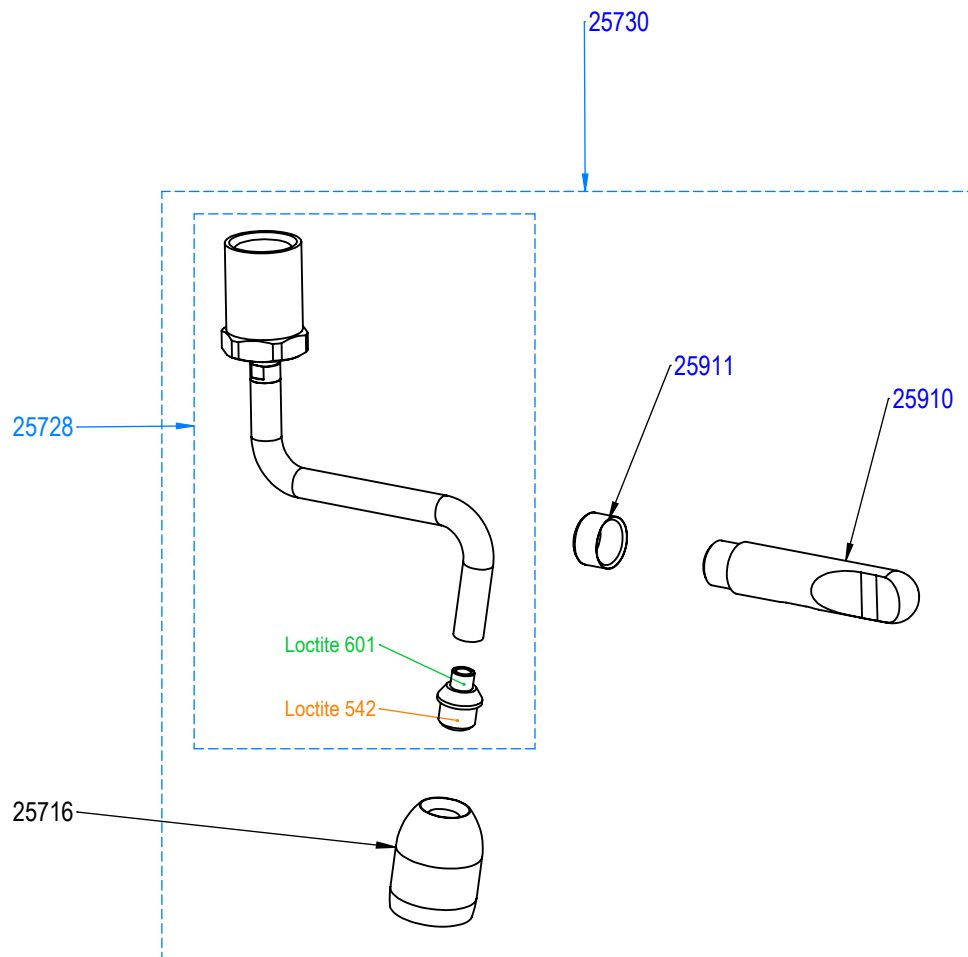
## PLANCHE - PLATE 250

REF	DESIGNATIONS FR	DESIGNATIONS GB
20957	RACCORD DROIT 1/8G	FITTING 1/8G
20990	RACCORD 3/8M 3/8M 1/8F	FITTING 3/8M 3/8M 1/8F
25915	CACHE SORTIE EAU VAPEUR	COVER OUTLET STEAM WATER
26301	CLAPET ANTI-RETOUR 1/8	NO RETURN VALVE 1/8
28134	JOINT TORIQUE 2X9,5 NEXUS	O RING 2X9,5
50125	VIS TB CRUCIFORME A EMBASE M4 x 8	CRUCIFORM SCREW M4 x 8
51351	ECROU 1/8	NUT 1/8
AU1072	EV SORTIE EAU CHAUDE MITIGEE	EV HOT WATER MIXED
CN-436	JOINT TORIQUE 1,78X8,73 EPDM	GASKET 8,73 X 1,78
CN-544	RONDELLE ACIER ZN 17 x 28 x 2	WASHER
CN-631R	EV 2V REGL. 24V-50/60Hz	ELECTROVALVE 2W ADJ. 24V-50/60Hz
DV-170	ECROU CHROME	NUT 3/8
DV-203	JOINT PLAT CUIVRE 1/4 D:2mm	WASHER 1/4 D:2
FR4049	RACCORD 1/8M M8 X 100	FITTING 1/8M M8 X 100
FR4136	RACCORD SORTIE EAU MITIGEE	MIXED WATER FITTING
FR4138	BOUCHON MELANGEUR	MIXER CAP
ID-129	VIS INOX POELIER VM 4 X 8	SCREW 4 X 8
MI-18	RACCORD MM 1/4 - 1/8 G	FITTING - 1/8 x 1/4
NA-18	ECROU LAITON 3/8 6 mm	3/8 NUT
PA-43	RESSORT F15/10 L14,5 D10,5 P3	SPRING
PH-54	JOINT TORIQUE 2,62X13,95 EPDM	O RING - 13.95 x 2.62
PH-78	JOINT TORIQUE 2,62X9,13 EPDM	O RING - 9,13 X 2,62
RR-67	EMBOUT LAITON	BRASS END
SE6002	TUBE MITIGEUR EAU CHAUDE	HOT WATER MIXER PIPE
SE6500	TUBE PTFE L:180	PTFE PIPE
SE6501	TUBE PTFE MITIGEUR	MIXER PTFE PIPE



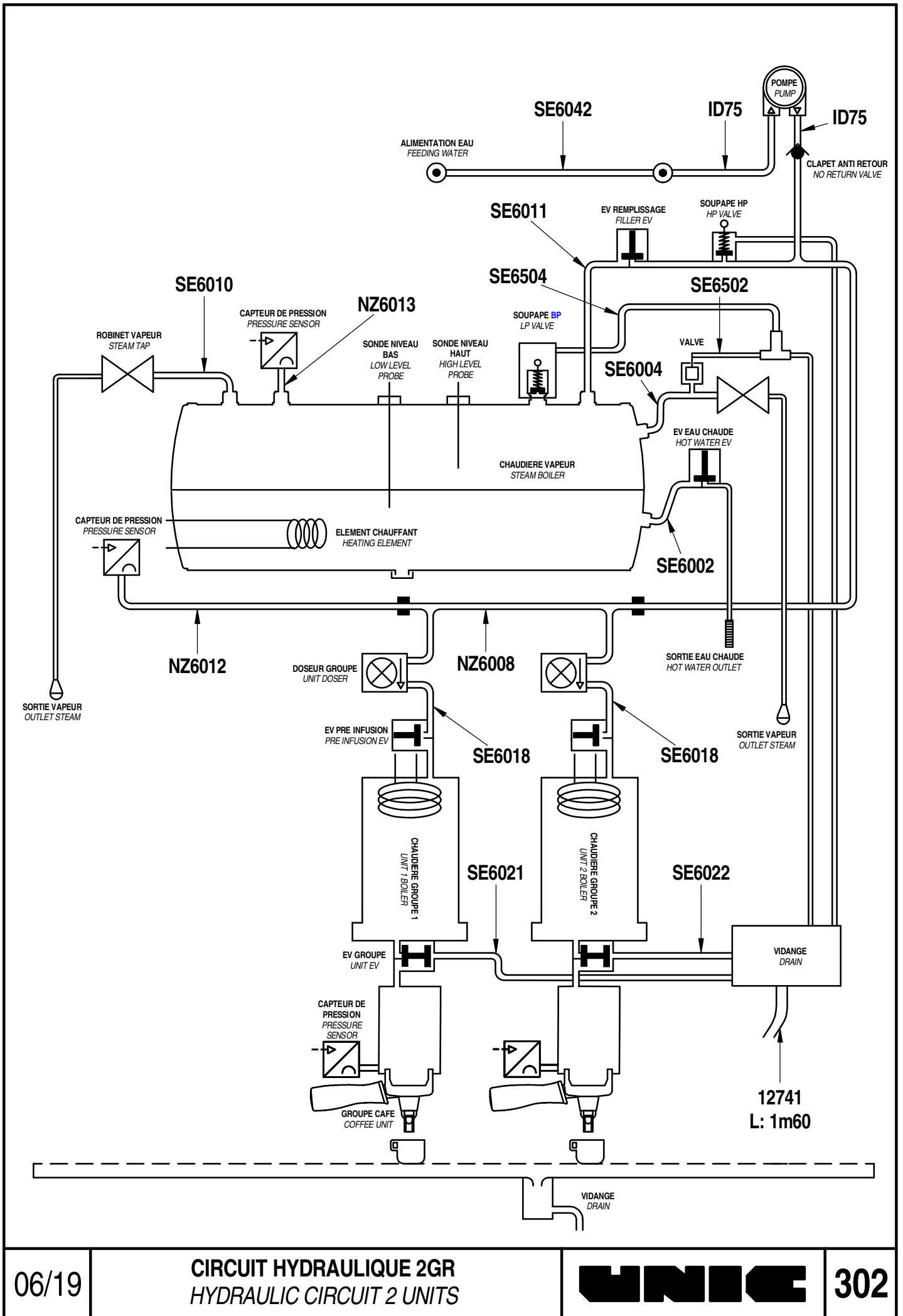
**PLANCHE - PLATE 261**

<b>REF</b>	<b>DESIGNATIONS FR</b>	<b>DESIGNATIONS GB</b>
25716	BRISE JET POUR TUBE INOX EAU CHAUDE	<i>WINDSHIELD FOR HOT WATER PIPE</i>
25728	TUBE SORTIE EAU CHAUDE INOX	<i>HOT WATER OUTLET PIPE</i>
25730	SORTIE EAU CHAUDE INOX COMPLETE	<i>HOT WATER OUTLET</i>
25910	POIGNEE SORTIE EAU CHAUDE ET VAPEUR	<i>HOT WATER AND STEAM OUTLET HANDLE</i>
25911	BAGUE POUR POIGNEE EAU ET VAPEUR	<i>WATER AND STEAM HANDLE COLLAR</i>



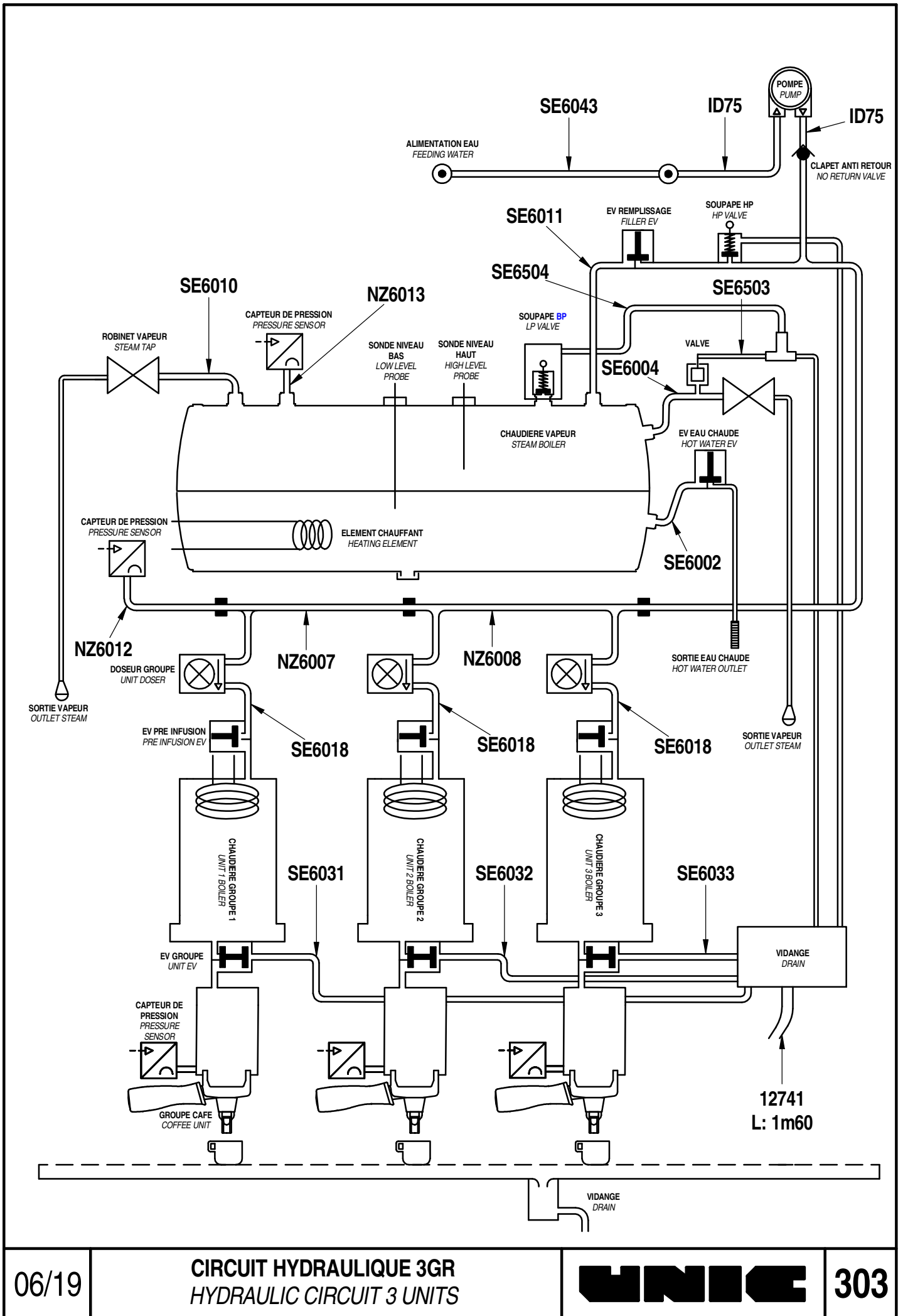
**PLANCHE - PLATE 302**

<b>REF</b>	<b>DESIGNATIONS FR</b>	<b>DESIGNATIONS GB</b>
12741	TUBE SILICONE Ø10-Ø16	SILICONE PIPE Ø10-Ø16
ID-75	TUBE FLEXIBLE COUDE ARME INOX	FLEXIBLE PIPE
NZ6008	RAMPE DOSEUR ET ENTREE EAU	WATER FEEDING & DOSER PIPE
NZ6012	TUBE CAPTEUR RESEAU	NETWORK SENSOR PIPE
NZ6013	TUBE CAPTEUR VAPEUR	STEAM SENSOR PIPE
SE6002	TUBE MITIGEUR EAU CHAUDE	HOT WATER MIXER PIPE
SE6004	TUBE EV VAPEUR	STEAM ELECTROVALVE PIPE
SE6010	TUBE VAPEUR ROBINET	STEAM TAP PIPE
SE6011	TUBE REMPLISSAGE CHAUDIERE	BOILER FILLING PIPE
SE6018	TUBE ALIMENTATION GROUPE CAFE	ALIMENTATION GROUP PIPE
SE6021	TUBE DECOMPRESSION GR1 2GR	2 UNITS DECOMPRESSION PIPE GROUP 1
SE6022	TUBE DECOMPRESSION GR2 2GR	2 UNITS DECOMPRESSION PIPE GROUP 2
SE6042	TUBE ENTREE D'EAU 2GR	2 UNITS INLET WATER PIPE
SE6502	TUBE VALVE DE PURGE 2GR	2 UNITS VACCUM VALVE PIPE
SE6504	TUBE DECOMPRESSION SOUPAPE BP	LP VALVE DECOMPRESSION PIPE



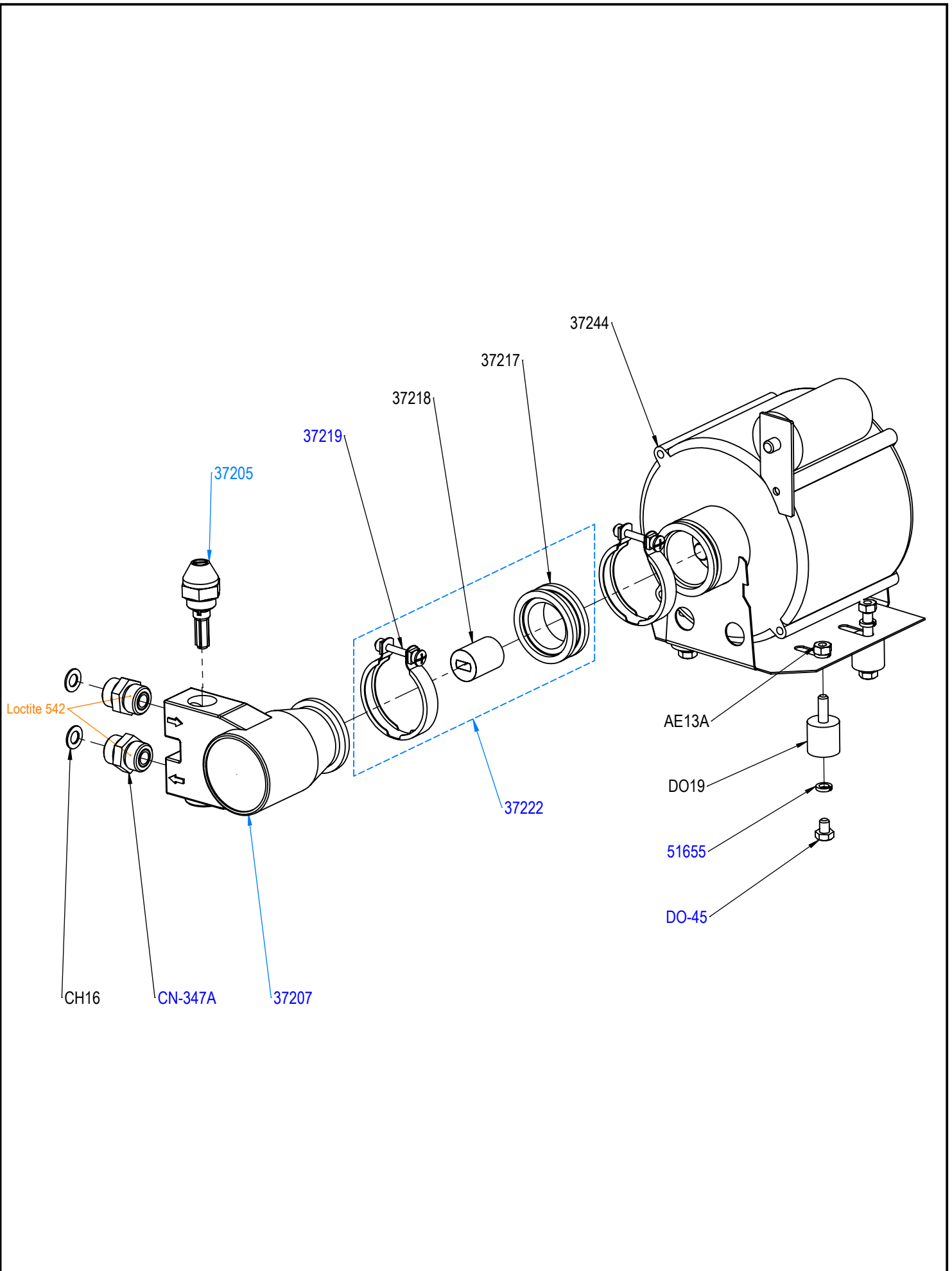
**PLANCHE - PLATE 303**

<b>REF</b>	<b>DESIGNATIONS FR</b>	<b>DESIGNATIONS GB</b>
12741	TUBE SILICONE Ø10-Ø16	SILICONE PIPE Ø10-Ø16
ID-75	TUBE FLEXIBLE COUDE ARME INOX	FLEXIBLE PIPE
NZ6007	RAMPE DOSEUR EAU	WATER DOSER PIPE
NZ6008	RAMPE DOSEUR ET ENTREE EAU	WATER FEEDING & DOSER PIPE
NZ6012	TUBE CAPTEUR RESEAU	NETWORK SENSOR PIPE
NZ6013	TUBE CAPTEUR VAPEUR	STEAM SENSOR PIPE
SE6002	TUBE MITIGEUR EAU CHAUDE	HOT WATER MIXER PIPE
SE6004	TUBE EV VAPEUR	STEAM ELECTROVALVE PIPE
SE6010	TUBE VAPEUR ROBINET	STEAM TAP PIPE
SE6011	TUBE REMPLISSAGE CHAUDIERE	BOILER FILLING PIPE
SE6018	TUBE ALIMENTATION GROUPE CAFE	ALIMENTATION GROUP PIPE
SE6031	TUBE DECOMPRESSION GR1 3GR	3 UNITS DECOMPRESSION PIPE GROUP 1
SE6032	TUBE DECOMPRESSION GR2 3GR	3 UNITS DECOMPRESSION PIPE GROUP 2
SE6033	TUBE DECOMPRESSION GR3 3GR	3 UNITS DECOMPRESSION PIPE GROUP 3
SE6043	TUBE ENTREE D'EAU 3GR	3 UNITS INLET WATER PIPE
SE6503	TUBE VALVE DE PURGE 3GR	3 UNITS VACCUM VALVE PIPE
SE6504	TUBE DECOMPRESSION SOUPAPE BP	LP VALVE DECOMPRESSION PIPE



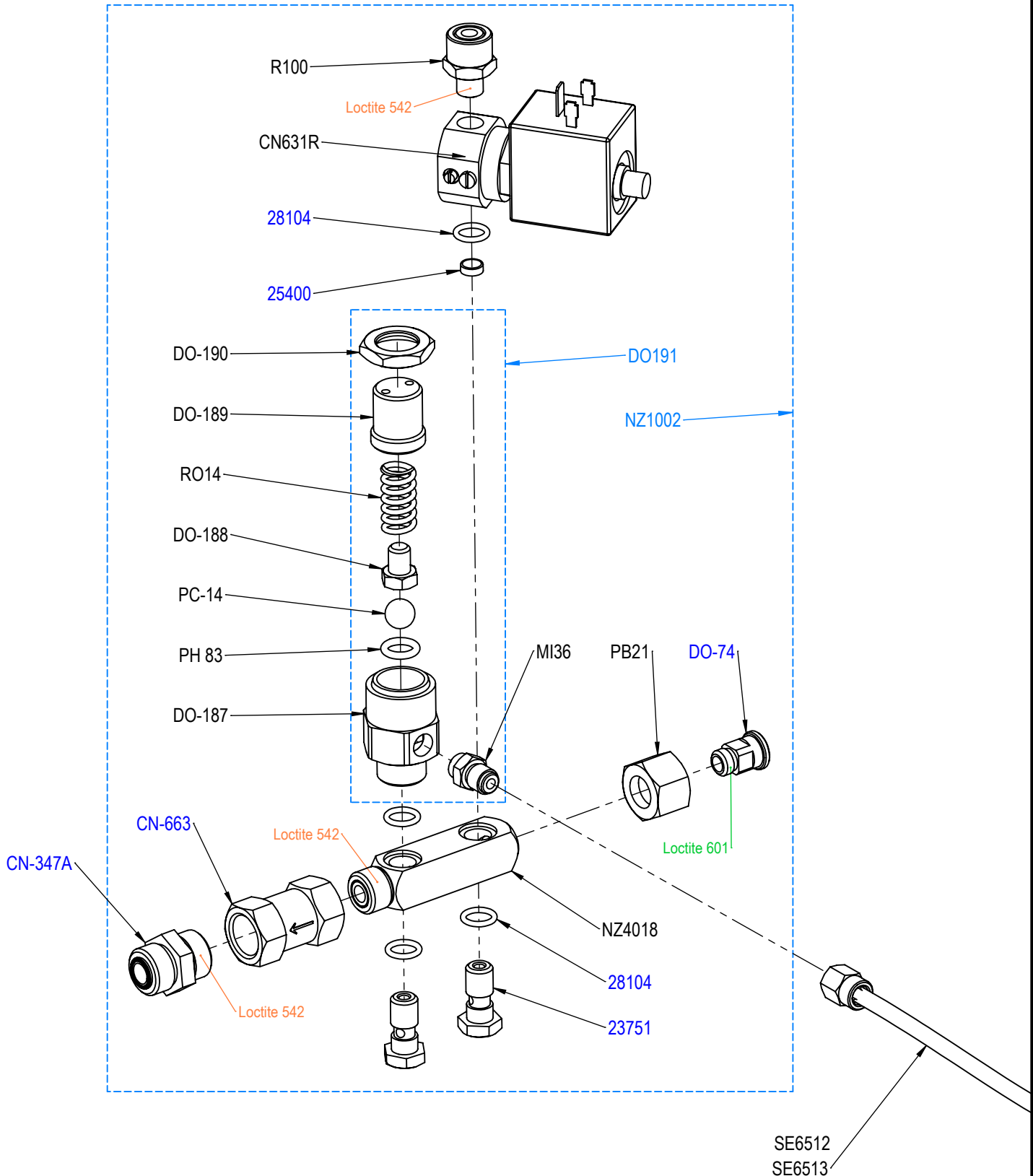
**PLANCHE - PLATE 325**

<b>REF</b>	<b>DESIGNATIONS FR</b>	<b>DESIGNATIONS GB</b>
28104	JOINT TORIQUE 2X9,5 FKM 80SH	GASKET 2X9,5
37205	BY PASS POUR POMPE FLUIDOTECH	BY PASS FOR FLUIDOTECH PUMP
37207	POMPE ROTATIVE 200L/H SANS PLOMB	UNLEADED PUMP 200L/H
37217	ENTRETOISE POUR ACCOUP. MOTEUR-POMPE	SPACER 48 YZ
37218	ACCOUPLLEMENT MALE/FEMELLE MOTEUR-POMPE	ACCOUPLLEMENT MALE/FEMALE
37219	COLLIER POUR POMPE FLUIDOTECH	CLAMP
37222	KIT ACCOUPLEMENT MOTEUR POMPE	GANGING RING KIT
37244	MOTEUR POMPE 165W 220-230V 50-60Hz	PUMP MOTOR 165W 220-230V 50-60Hz
51655	RONDELLE GROWER DE 6	WASHER 6
AE-13A	ECROU INOX Hu 6-100	NUT M6
CH-16	JOINT CUIVRE RECUIT 3/8	WASHER - COPPER - 3/8
CN-347A	RACCORD D'ALIM. 3/8 - 3/8 MM	FITTING - 3/8 X 3/8 -
DO-19	PLOT APB 20-20	SILENTBLOC
DO-45	VIS ACIER ZN TH 6 X 8	SCREW 6 X 8



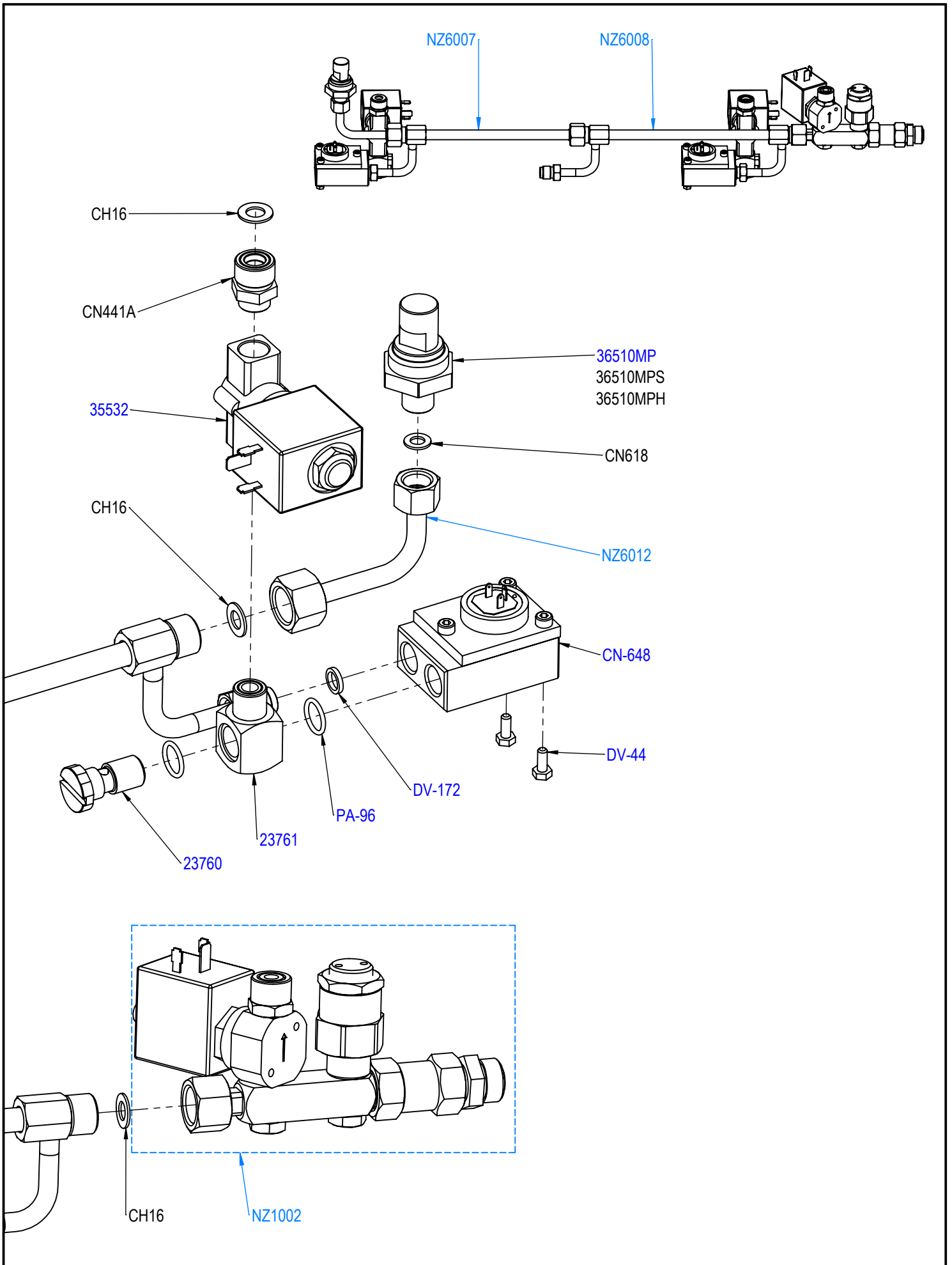
**PLANCHE - PLATE 330**

<b>REF</b>	<b>DESIGNATIONS FR</b>	<b>DESIGNATIONS GB</b>
23751	AXE DE BANJO 1/8	BANJO SCREW
25400	FILTRE INOX	FILTER
28104	JOINT TORIQUE 2X9,5 FKM 80SH	GASKET 2X9,5
CN-347A	RACCORD D'ALIM. 3/8 - 3/8 MM	FITTING - 3/8 X 3/8 -
CN-631R	EV 2V REGL. 24V-50/60Hz	ELECTROVALVE 2W ADJ. 24V-50/60Hz
CN-663	CLAPET ANTI RETOUR COMPACT	VALVE - NON-RETURN
DO-187	CORPS DE SOUPE	VALVE BODY
DO-188	TIGE DE SOUPE	VALVE PISTON
DO-189	ECROU DE SOUPE	VALVE NUT
DO-190	CONTRE ECROU M18 X 100	NUT M18 X 100
DO-191	SOUPE H.P. COMPLETE	COMPLET H.P. VALVE
DO-74	RACCORD SOUPE HP	H.P VALVE CONNECTION
MI-36	RACCORD 1/8M 1/8M	CONNECTION 1/8
NZ1002	NOURRICE ALIMENTATION EAU	WATER FEEDING UNIT
NZ4018	RACCORD NOURRICE	LEADER FITTING
PB-21	ECROU 3/8 LAITON	FITTING 3/8
PC-14	BILLE INOX POLIE DE 11	STAINLESS STEEL BALL DIA 11
PH-83	JOINT TORIQUE 2,62X9,19 PTFE	O RING 9,19 X 2,62 PTFE
R-100	RACCORD LAITON	FITTING
RO-14	RESSORT F20/10L26.5 D13 P5	SPRING
SE6512	TUBE DECOMPRESSION SOUPE HP 2GR	2 UNITS HP VALVE DECOMPRESSION PIPE
SE6513	TUBE DECOMPRESSION SOUPE HP 3GR	3 UNITS HP VALVE DECOMPRESSION PIPE



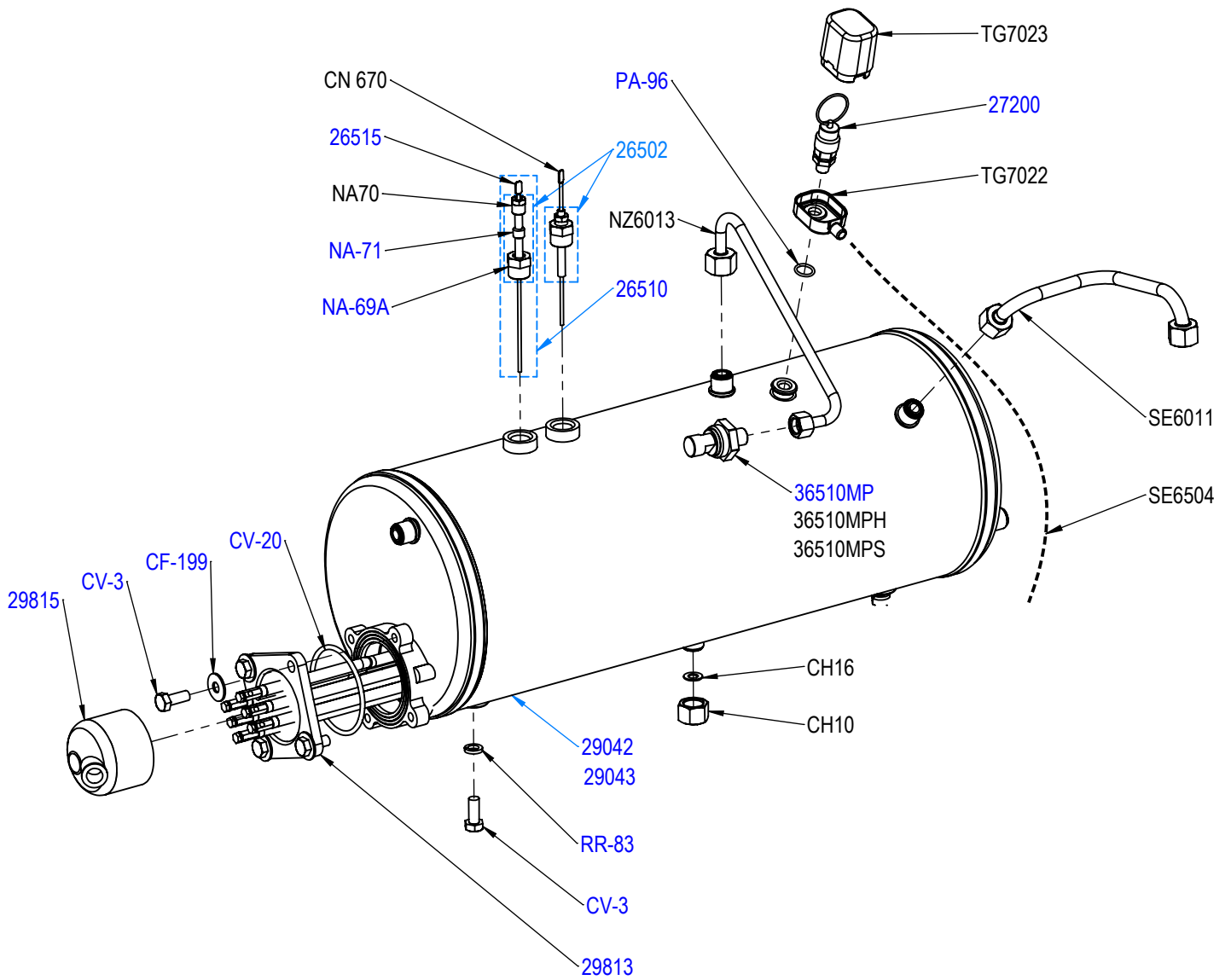
**PLANCHE - PLATE 331**

<b>REF</b>	<b>DESIGNATIONS FR</b>	<b>DESIGNATIONS GB</b>
23760	AXE BANJO 1/4	BANJO SCREW 1/4
23761	CORPS DE BANJO 1/4	BANJO BODY 1/4
35532	ELECTROVANNE 2V 24V N.O Ø2	ELECTROVALVE 2W 24V OPEN
36510MP	CAPTEUR DE PRESSION 0-16b DANFOSS	0-16b PRESSURE SENSOR
36510MPH	CAPTEUR DE PRESSION 0-16b HUBA	0-16b PRESSURE SENSOR
36510MPS	CAPTEUR DE PRESSION 0-16b SENSATA	0-16b PRESSURE SENSOR
CH-16	JOINT CUIVRE RECUIT 3/8	WASHER - COPPER - 3/8
CN-441A	RACCORD 1/4M-3/8M	FITTING 1/4 3/8
CN-618	JOINT CUIVRE 1/4	GASKET - 1/4
CN-648	COMPTEUR VOLUMETRIQUE	WHOLE W.DOSING DEVICE
DV-172	JOINT PLAT 11.4 X 7.5 X 1.9	GASKET
DV-44	VIS TH M4X10 ACIER	SCREW M4x10
NZ1002	NOURRICE ALIMENTATION EAU	WATER FEEDING UNIT
NZ6007	RAMPE DOSEUR EAU	WATER DOSER PIPE
NZ6008	RAMPE DOSEUR ET ENTREE EAU	WATER FEEDING & DOSER PIPE
NZ6012	TUBE CAPTEUR RESEAU	NETWORK SENSOR PIPE
PA-96	JOINT TORIQUE 1,78X12,42 EPDM	GASKET 1.78 X 12.42



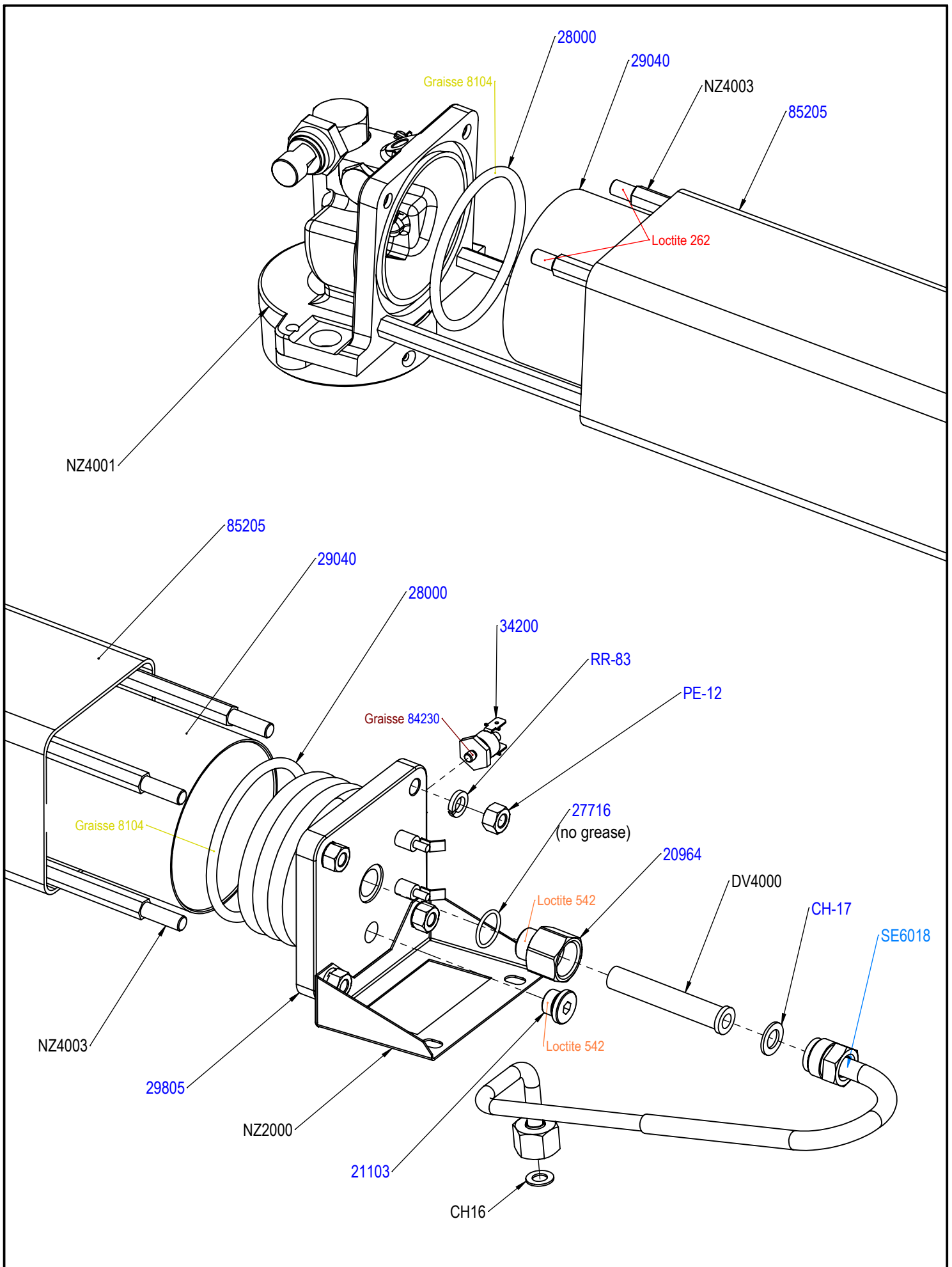
## PLANCHE - PLATE 340

REF	DESIGNATIONS FR	DESIGNATIONS GB
26502	ENSEMBLE NIVEAU SONDE 3/8	LEVEL PROBE 3/8 SET
26510	SONDE DE NIVEAU L=130	LEVEL PROBE
26515	SONDE DE NIVEAU L=150	LEVEL PROBE
27200	SOUPAPE VAPEUR BP 3,5 BARS	LP VALVE 3.5 BARS
29042	CHAUDIERE VAPEUR 2GR	STEAM BOILER 2 UNITS
29043	CHAUDIERE VAPEUR 3GR	STEAM BOILER 3 UNITS
29813	ELEMENT CHAUFFANT 230V 6555W	HEATING ELEMENT 230V 6555W
29815	CACHE RESISTANCE	INSULATOR BOOT
36510MP	CAPTEUR DE PRESSION 0-16b DANFOSS	0-16b PRESSURE SENSOR
36510MPH	CAPTEUR DE PRESSION 0-16b HUBA	0-16b PRESSURE SENSOR
36510MPS	CAPTEUR DE PRESSION 0-16b SENSATA	0-16b PRESSURE SENSOR
CF-199	RONDELLE ACIER ZN 8x22x1,5	STEEL WASHER 8x22x1,5
CH-10	ECROU BORGNE 3/8	CAP NUT 3/8
CH-16	JOINT CUIVRE RECUIT 3/8	WASHER - COPPER - 3/8
CN-670	SONDE NIVEAU BAS INOX L=130	LEVEL PROBE L=130
CV-20	JOINT TORIQUE 3,53X66,68 FKM	GASKET - 66.68 x 3.53
CV-3	VIS TH M8 x 20 INOX	S.STEEL SCREW M8 x 20
NA-69A	PORTE SONDE EN LAITON	PROBE HOLDER CONNECTION
NA-70	BLOCAGE ELECTRODE NIVEAU AUTO	LEVEL PROBE COMPRESSION NUT
NA-71	PORTE-ELECTRODE EN TEFLON	LEVEL PROBE INSULATION
NZ6013	TUBE CAPTEUR VAPEUR	STEAM SENSOR PIPE
PA-96	JOINT TORIQUE 1,78X12,42 EPDM	GASKET 1.78 X 12.42
RR-83	RONDELLE GROVER DE 8	WASHER 8
SE6011	TUBE REMPLISSAGE CHAUDIERE	BOILER FILLING PIPE
SE6504	TUBE DECOMPRESSION SOUPAPE BP	LP VALVE DECOMPRESSION PIPE
TG7022	PROTECTION SOUPAPE	VALVE PROTECTION
TG7023	COUVERCLE PROTECTION SOUPAPE	COVER VALVE PROTECTION



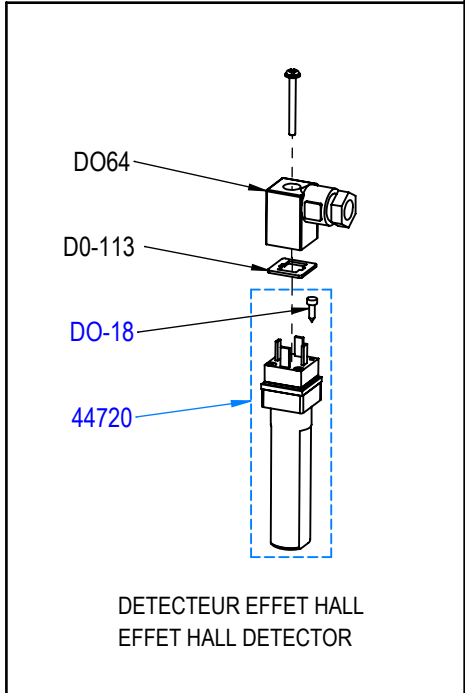
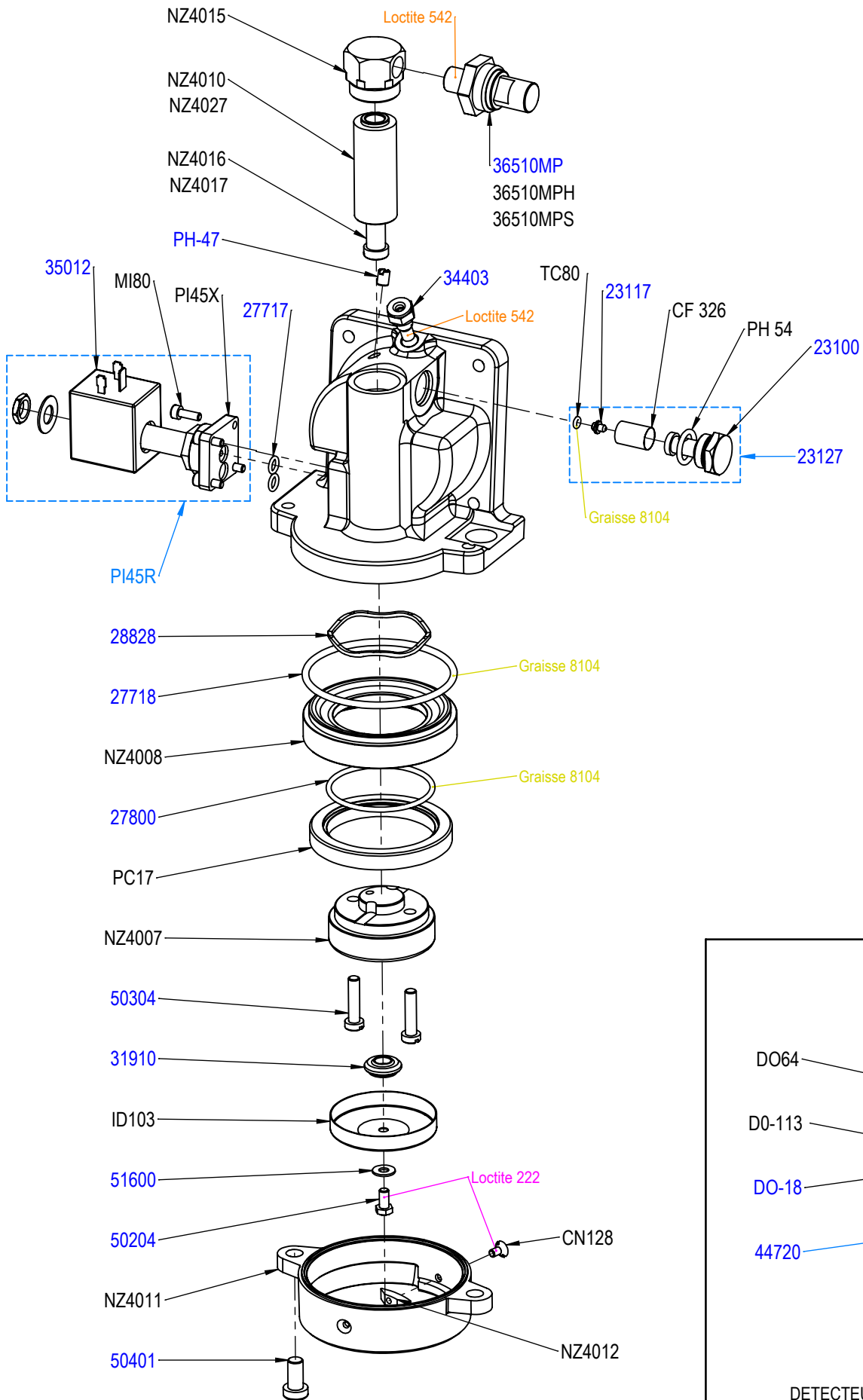
**PLANCHE - PLATE 341**

<b>REF</b>	<b>DESIGNATIONS FR</b>	<b>DESIGNATIONS GB</b>
20964	RACCORD 3/8M 1/2F	CONNECTION 3/8M 1/2F
21103	BOUCHON 1/4	PLUG 1/4
27716	JOINT TORIQUE 1,78 X 17.17 FKM	GASKET 1,78 X 17.17
28000	JOINT TORIQUE 5,34X78,74	O RING 5,34X78,74
29040	TUBE CHAUDIERE Ø95	BOILER TUBE Ø95
29805	ELEMENT CHAUFFANT 230V 2000W	HEATING ELEMENT 230V-2000W
34200	THERMOSTAT DE SECURITE 135°C	SAFETY THERMOSTAT 135°C
85205	ISOLANT CHAUDIERE	BOILER INSULATOR
CH-16	JOINT CUIVRE RECUIT 3/8	WASHER - COPPER - 3/8
CH-17	JOINT CUIVRE RECUIT 1/2	WASHER - COPPER - 1/2
DV4000	TUBE TEFLON ALIM. GROUPE L:72	UNIT FEEDING TUBE
NZ2000	SUPPORT AR CHAUDIERE	BOILER SUPPORT
NZ4001	CORPS DE GROUPE	UNIT BODY
NZ4003	COLONNETTE CHAUDIERE	BOILER SCREW
PE-12	ECROU M8	NUT M8
RR-83	RONDELLE GROVER DE 8	WASHER 8
SE6018	TUBE ALIMENTATION GROUPE CAFE	ALIMENTATION GROUP PIPE



## PLANCHE - PLATE 345

REF	DESIGNATIONS FR	DESIGNATIONS GB
23100	PORTE GICLEUR	GICLUER HOLDER
23117	GICLEUR DIAM:0,7	JET DIAM. 0.7
23127	KIT PORTE GICLEUR Ø0.7	GICLUER Ø 0.7 KIT
27717	JOINT TORIQUE 1,78 X 6,07	GASKET 1.78 X 6.07
27718	JOINT PISTON MOBILE 3.53 X 74.61	O RING 3.53 X 74.61
27800	JOINT TORIQUE 2.62 X 52.07 NBR	GASKET 2.62 X 52.07
28828	RESSORT D6	SPRING D6
31910	RONDELLE DIFFUSEUR GROUPE	WASHER DIFFUSER
34403	SONDE THERMOSTATIQUE	THERMOSTATIC PROBE
35012	BOBINE 24V	SOLENOID COIL 24V
44720	CAPTEUR DE COUPE COMPLET	FILTER HOLDER SENSOR KIT
50204	VIS TH M5 x 10 INOX	SCREW M5 X 10
50304	VIS TC M6X25 INOX	S.STEEL SCREW M6X25
50401	VIS TCHC TETE BASSE M8X16 INOX	S.STEEL SCREW M8 X 16
51600	RONDELLE INOX MOYENNE DE 5	WASHER
36510MP	CAPTEUR DE PRESSION 0-16b DANFOSS	0-16b PRESSURE SENSOR
36510MPH	CAPTEUR DE PRESSION 0-16b HUBA	0-16b PRESSURE SENSOR
36510MPS	CAPTEUR DE PRESSION 0-16b SENSATA	0-16b PRESSURE SENSOR
CF-326	FILTRE INOX D.int=12 H=17,5	FILTER D:12 H:17,5
CN-128	VIS INOX TF M4 X 8	SCREW M4 X 8
DO-113	JOINT CONNECTEUR	GASKET CONNECTOR
DO-18	VIS ACIER ZN PT WN 22 X 10	SENSOR-HOLDER SCREW
DO-64	CONNECTEUR POUR CAPTEUR COUPE	SENSOR CONNECTOR
ID-103	FILTRE TASSOIR	PACKER FILTER
MI-80	VIS TCHC M4x12 INOX	SCREW M4 X 12
NZ4007	TASSOIR MONOGROUPE	SINGLE GROUP COMPACTOR
NZ4008	PISTON MONOGROUPE	SINGLE GROUP PISTON
NZ4010	ENTRETOISE POUMON	CHAMBER SPACER
NZ4011	PORTE COUPE BUTEE	BOWL HOLDER
NZ4012	BUTEE DE COUPE	FILTER HOLDER STOP
NZ4015	BOUCHON GROUPE CAPTEUR	SENSOR UNIT CAP
NZ4016	VIS POUMON GR STELLA	CHAMBER SCREW
NZ4017	VIS POUMON LONGUE	LONG CHAMBER SCREW
NZ4027	ENTRETOISE POUMON LONGUE	LONG CHAMBER SPACER
PC-17	JOINT DE COUPE 57 x 75 x 9	HEAD GASKET 9mm
PH-47	VIS ST M6x8 LAITON	SCREW M6 X 8
PH-54	JOINT TORIQUE 2,62X13,95 EPDM	O RING - 13.95 x 2.62
PI-45R	ELECTROVANNE 3V 24V-50/60Hz	ELECTROVALVE 3W 24V-50/60Hz
PI-45X	ELECTROV. 3V SANS BOBINE	ELECTOVALVE 3W WITHOUT COIL



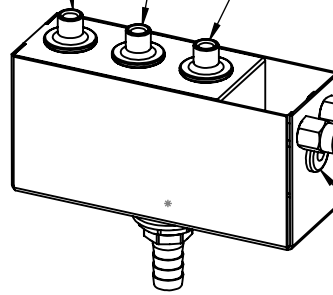
**PLANCHE - PLATE 350**

<b>REF</b>	<b>DESIGNATIONS FR</b>	<b>DESIGNATIONS GB</b>
21350	RACCORD 1/8M A SERTIR DIAM. 6	COMPRESSION CONNECTION 1/8
21400	BICONE DIAM. 6	BICONE DIAM. 6
22901	RACCORD COUDE 1/8M	CROOKED FITTING 1/8M
CN-544	RONDELLE ACIER ZN 17 x 28 x 2	WASHER
DV7040	EMBOUT DE DECOMPRESSION	DECOMPRESSION TIP
DV7041	CORPS EMBOUT DE DECOMPRESSION	DECOMPRESSION TIP HOUSING
MI-34	ECROU LAITON 1/8"	COMPRESSION NUT - 1/8
MI-6	PASSE FIL	GROMMET
NA-18A	ECROU LAITON 3/8 4 mm	3/8 NUT
SE2010	BOITE DECOMPRESSION SOUDEE	DRAIN BOX

Tube décompression groupe 1  
1st group decompression pipe

Tube décompression groupe 2  
2nd group decompression pipe

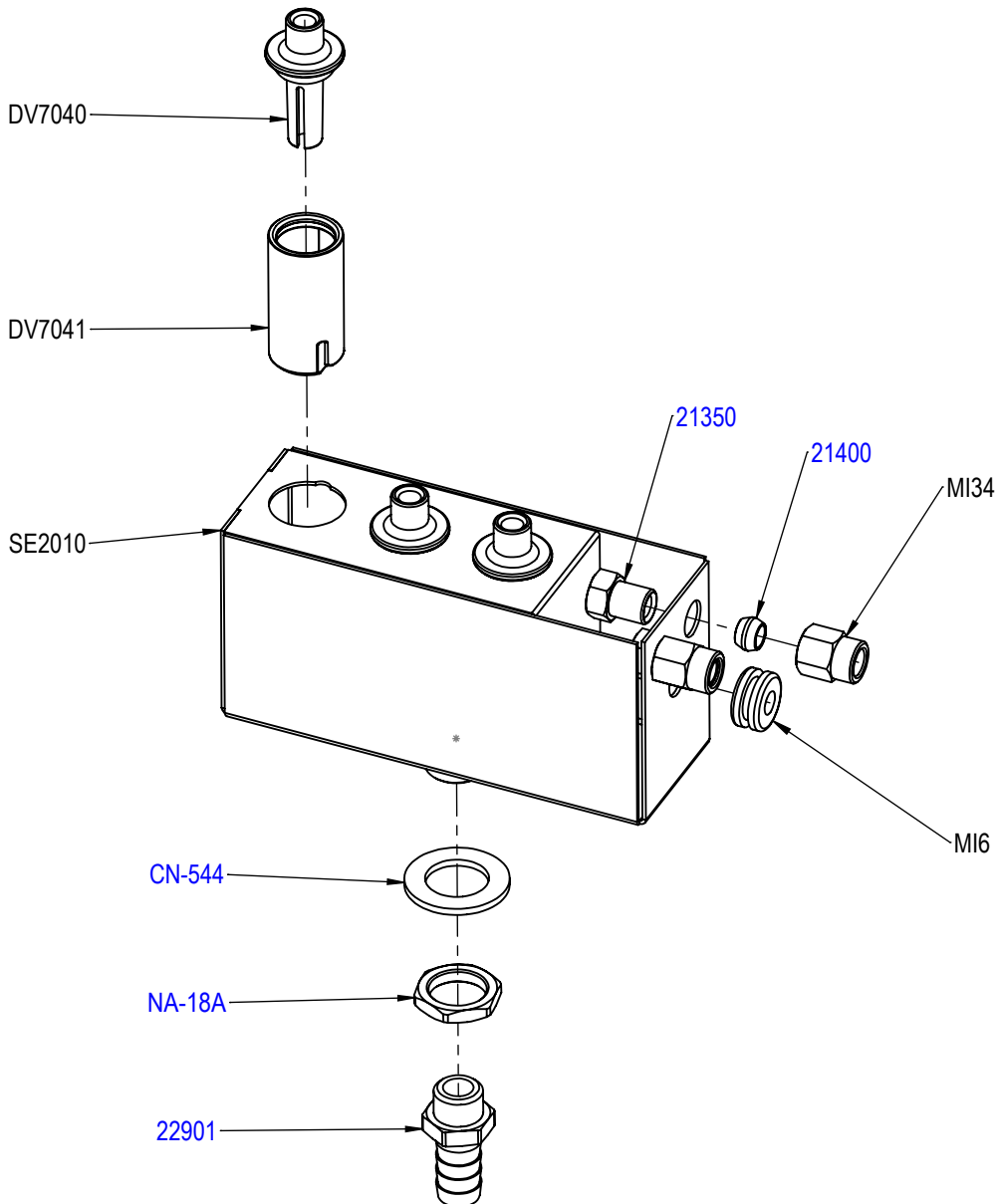
Tube décompression groupe 3  
3rd group decompression pipe



Soupape HP  
HP valve

Décompression 3e voie EV steamair (option)  
3rd way (decompression) steamair electrovalve

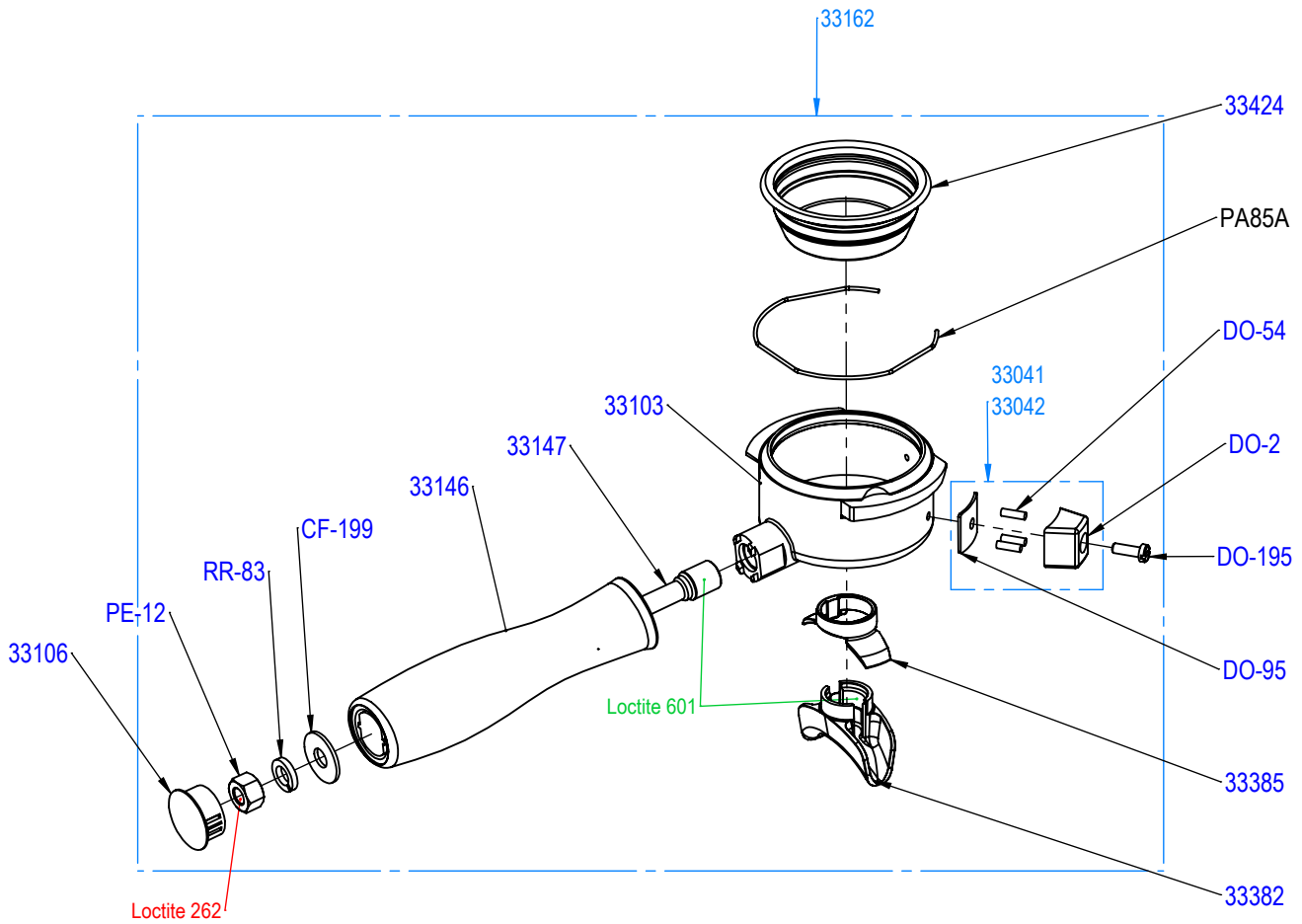
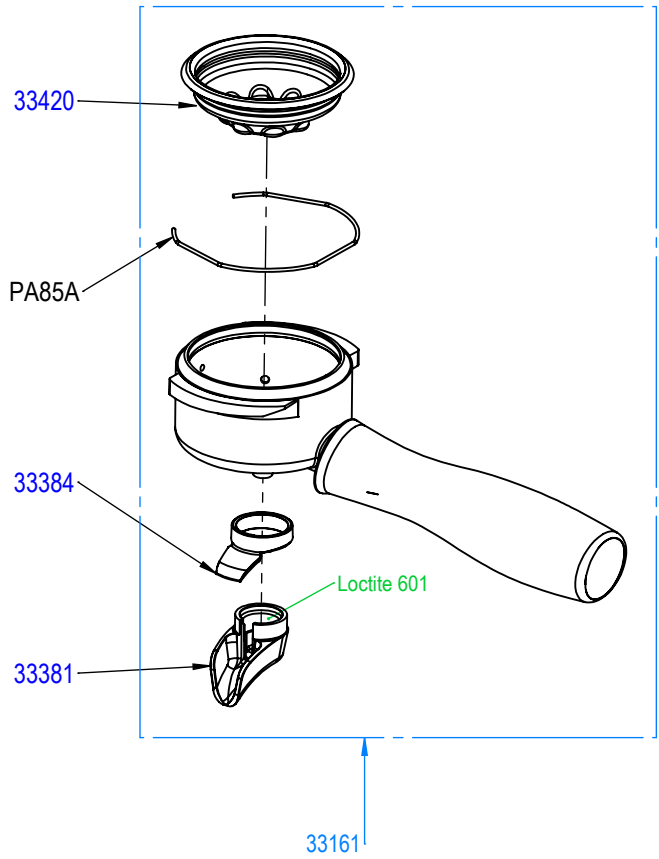
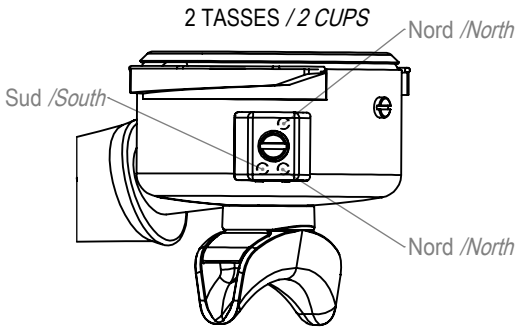
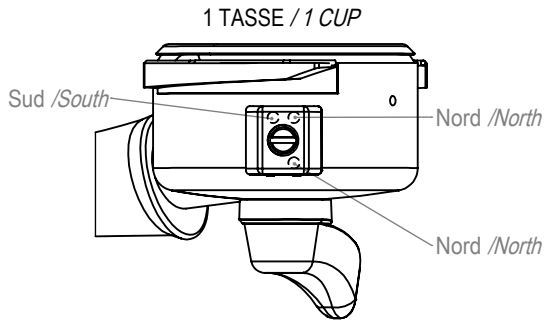
Soupape BP vapeur et valve de purge  
LP valve steam & purge valve



**PLANCHE - PLATE 494**

<b>REF</b>	<b>DESIGNATIONS FR</b>	<b>DESIGNATIONS GB</b>
33041	PORTE AIMANT 1 T COMPLET	1 CUP MAGNET HOLDER
33042	PORTE AIMANT 2 T COMPLET	2 CUPS MAGNET HOLDER
33103	COUPE NUE POUR CAPTEUR	FILTER HOLDER BODY WITH SENSOR
33106	BOUCHON POIGNEE DE COUPE	TAP FOR HANDLE
33146	POIGNEE DE COUPE	HANDLE
33147	AXE POIGNEE DE COUPE	AXLE FOR HANDLE
33161	COUPE COMPLETE 1T AVEC CAPTEUR	1 CUP FILT. HOLDER WITH SENSOR
33162	COUPE COMPLETE 2T AVEC CAPTEUR	2 CUP FILT. HOLDER WITH SENSOR
33381	BEC 1 T CHROME	1 CUP SPOUT
33382	BEC 2T CHROME	2 CUPS SPOUT
33384	OBTURATEUR BEC 1T	1 CUP OBTURATOR
33385	OBTURATEUR BEC 2T	2 CUPS OBTURATOR
33420	FILTRE 1 TASSE	1 CUP FILTER
33424	FILTRE 2 TASSES PENTAGONAL	2 CUPS FILTER
CF-199	RONDELLE ACIER ZN 8x22x1,5	STEEL WASHER 8x22x1,5
DO-195	VIS ACIER INOX TC 4 X 12	SCREW M4 X 12
DO-2	PORTE AIMANT	MAGNET HOLDER
DO-54	AIMANT DIAM 3 L:10mm	MAGNET DIA:3 L:10mm
DO-95	JOINT PORTE-AIMANTS	MAGNET HOLDER JOINT
PA-85A	RESSORT DE COUPE DIAM:1.3	FILTER SPRING DIAM:1.3
PE-12	ECROU M8	NUT M8
RR-83	RONDELLE GROVER DE 8	WASHER 8

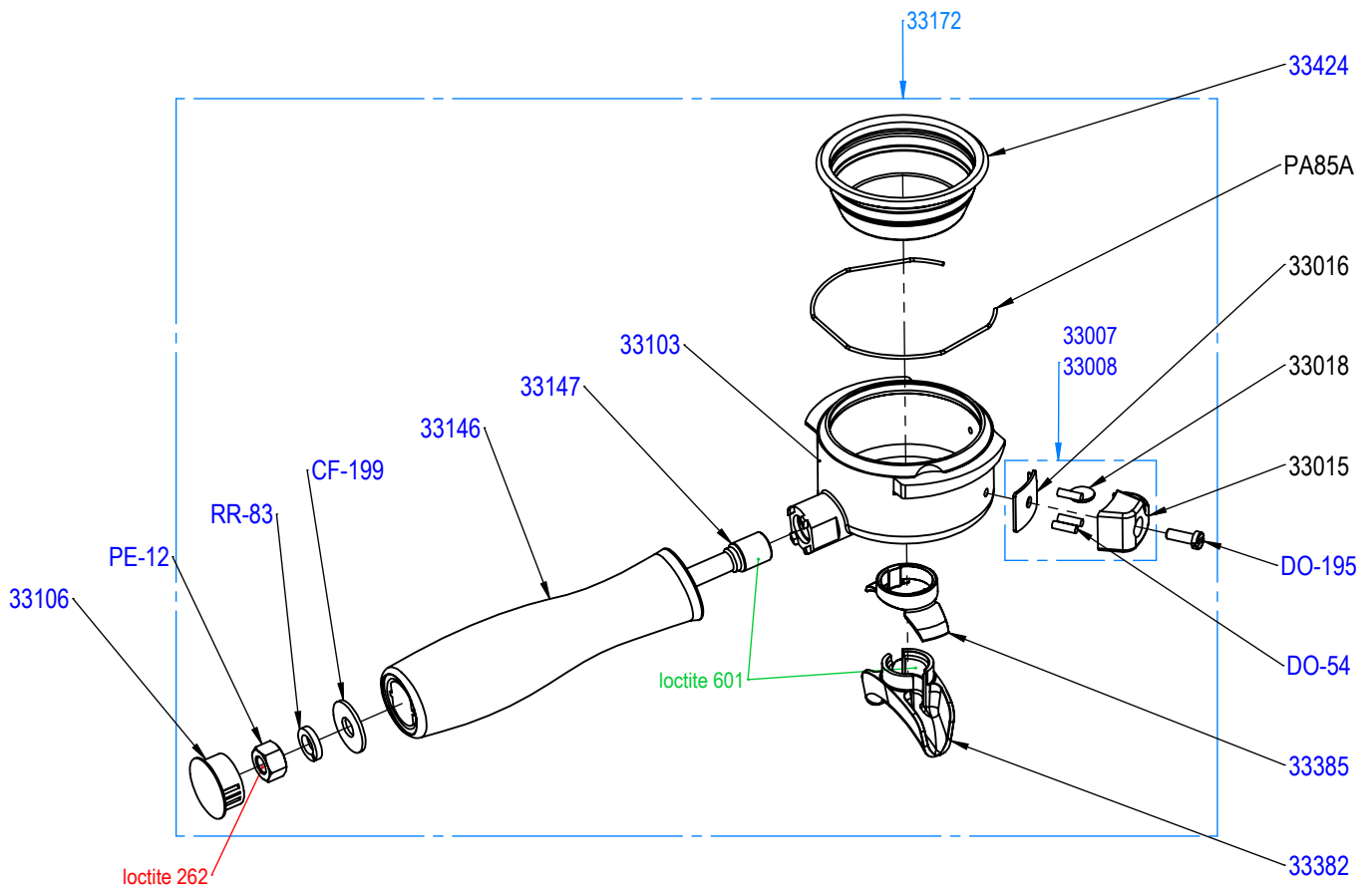
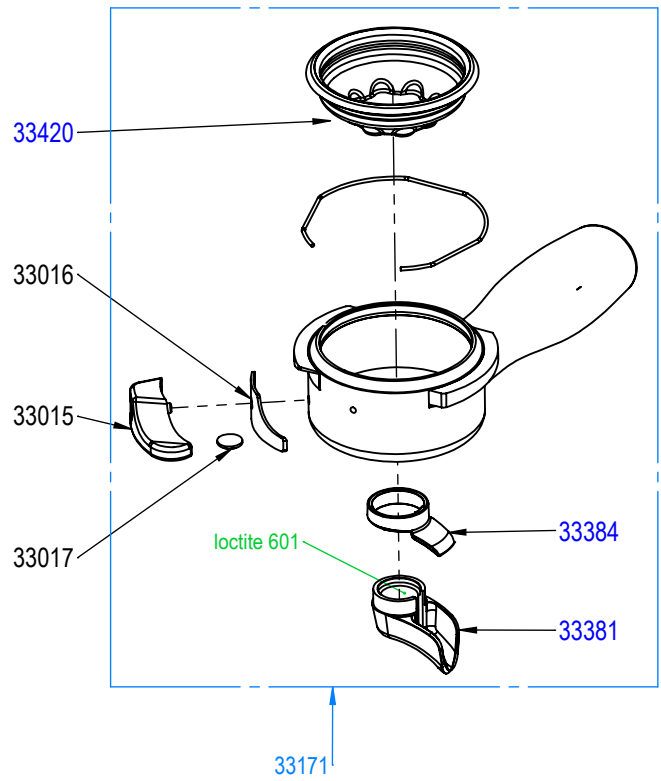
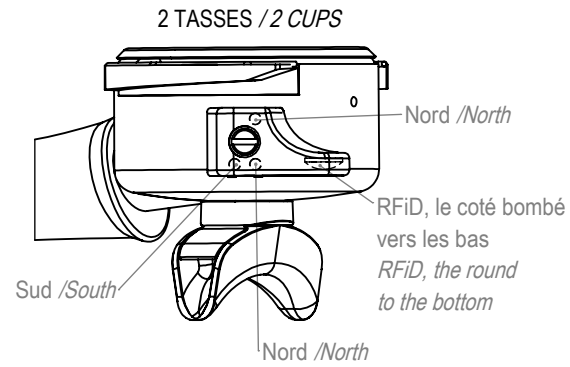
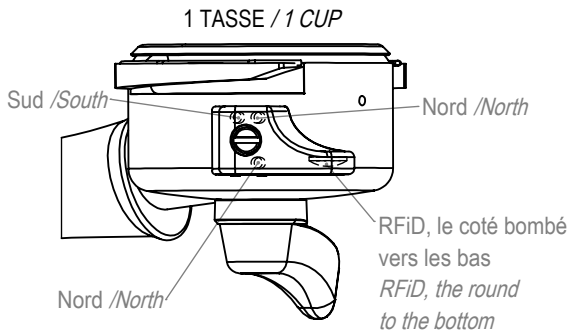
Disposition du sens des aimants DO54  
 Layout direction of the magnets DO54



**PLANCHE - PLATE 497**

<b>REF</b>	<b>DESIGNATIONS FR</b>	<b>DESIGNATIONS GB</b>
33007	KIT PORTE AIMANT RFID 1T	1 CUP KIT RFID MAGNET HOLDER
33008	KIT PORTE AIMANT RFID 2T	2 CUP KIT RFID MAGNET HOLDER
33015	SUPPORT AIMANTS RFID	MAGNET HOLDER RFID
33016	JOINT POUR SUPPORT AIMANTS RFID	GASKET
33017	CHIP RFID 1 TASSE	1 CUP CHIP RFID
33018	CHIP RFID 2 TASSES	2 CUPS CHIP RFID
33103	COUPE NUE POUR CAPTEUR	FILTER HOLDER BODY WITH SENSOR
33106	BOUCHON POIGNEE DE COUPE	TAP FOR HANDLE
33146	POIGNEE DE COUPE	HANDLE
33147	AXE POIGNEE DE COUPE	AXLE FOR HANDLE
33171	COUPE COMPLETE 1T AVEC RFID	1 CUP FILT. HOLDER WITH RFID
33172	COUPE COMPLETE 2T AVEC RFID	2 CUP FILT. HOLDER WITH RFID
33381	BEC 1 T CHROME	1 CUP SPOUT
33382	BEC 2T CHROME	2 CUPS SPOUT
33384	OBTURATEUR BEC 1T	1 CUP OBTURATOR
33385	OBTURATEUR BEC 2T	2 CUPS OBTURATOR
33420	FILTRE 1 TASSE	1 CUP FILTER
33424	FILTRE 2 TASSES PENTAGONAL	2 CUPS FILTER
CF-199	RONDELLE ACIER ZN 8x22x1,5	STEEL WASHER 8x22x1,5
DO-195	VIS ACIER INOX TC 4 X 12	SCREW M4 X 12
DO-54	AIMANT DIAM 3 L:10mm	MAGNET DIA:3 L:10mm
PA-85A	RESSORT DE COUPE DIAM:1.3	FILTER SPRING DIAM:1.3
PE-12	ECROU M8	NUT M8
RR-83	RONDELLE GROVER DE 8	WASHER 8

Disposition du sens des aimants DO54  
 Layout direction of the magnets DO54

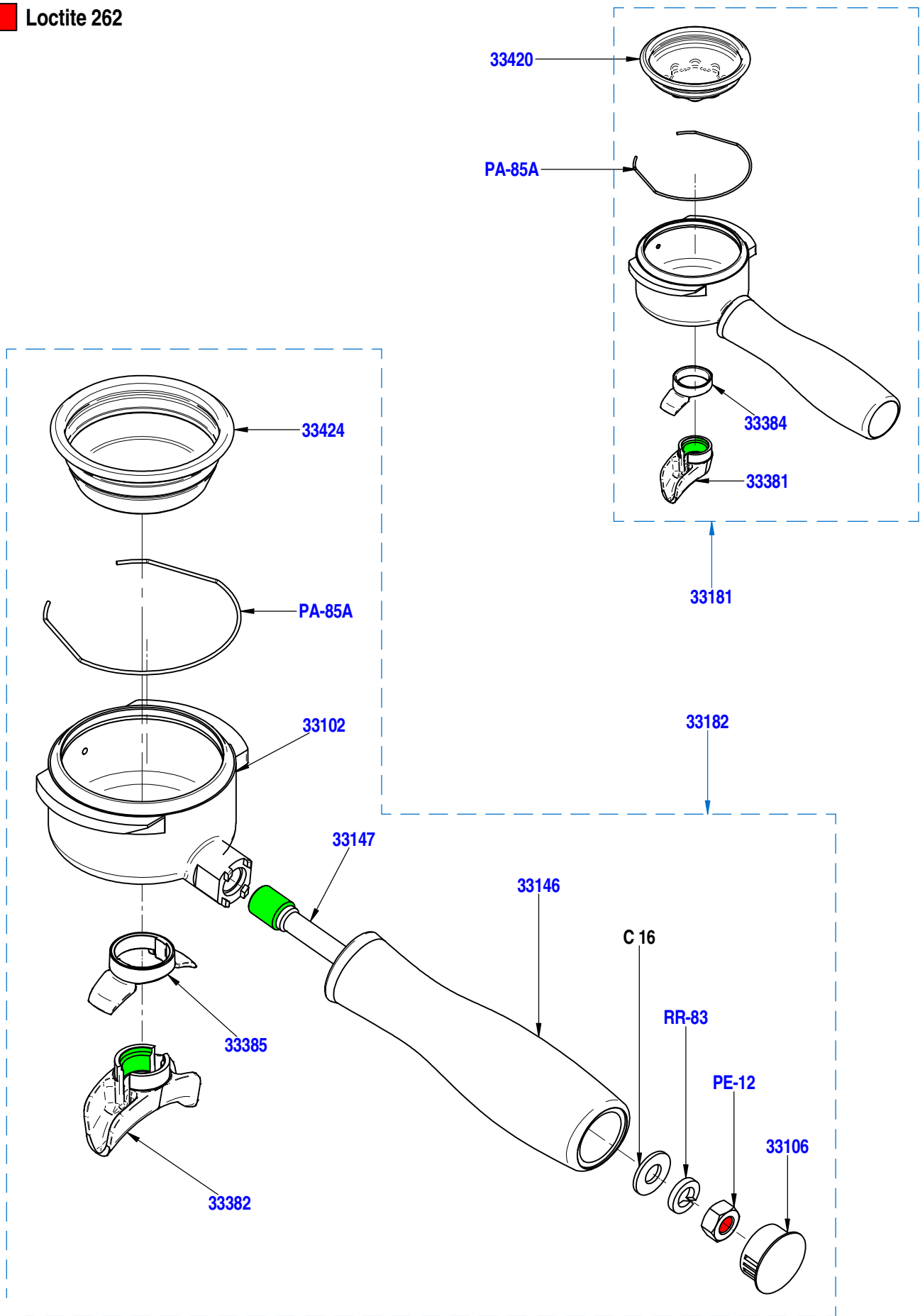


**PLANCHE - PLATE 498**

<b>REF</b>	<b>DESIGNATIONS FR</b>	<b>DESIGNATIONS GB</b>
33102	COUPE NUE	<i>FILTER HOLDER BODY</i>
33106	BOUCHON POIGNEE DE COUPE	<i>TAP FOR HANDLE</i>
33146	POIGNEE DE COUPE	<i>HANDLE</i>
33147	AXE POIGNEE DE COUPE	<i>AXLE FOR HANDLE</i>
33181	COUPE COMPLETE 1T	<i>1 CUP FILTER HOLDER</i>
33182	COUPE COMPLETE 2T	<i>2 CUPS FILTER HOLDER</i>
33381	BEC 1 T CHROME	<i>1 CUP SPOUT</i>
33382	BEC 2T CHROME	<i>2 CUPS SPOUT</i>
33384	OBTURATEUR BEC 1T	<i>1 CUP OBTURATOR</i>
33385	OBTURATEUR BEC 2T	<i>2 CUPS OBTURATOR</i>
33420	FILTRE 1 TASSE	<i>1 CUP FILTER</i>
33424	FILTRE 2 TASSES PENTAGONAL	<i>2 CUPS FILTER</i>
C-16	RONDELLE ACIER NICKELE M8	<i>WASHER 8</i>
PA-85A	RESSORT DE COUPE DIAM:1.3	<i>FILTER SPRING DIAM:1.3</i>
PE-12	ECROU M8	<i>NUT M8</i>
RR-83	RONDELLE GROVER DE 8	<i>WASHER 8</i>

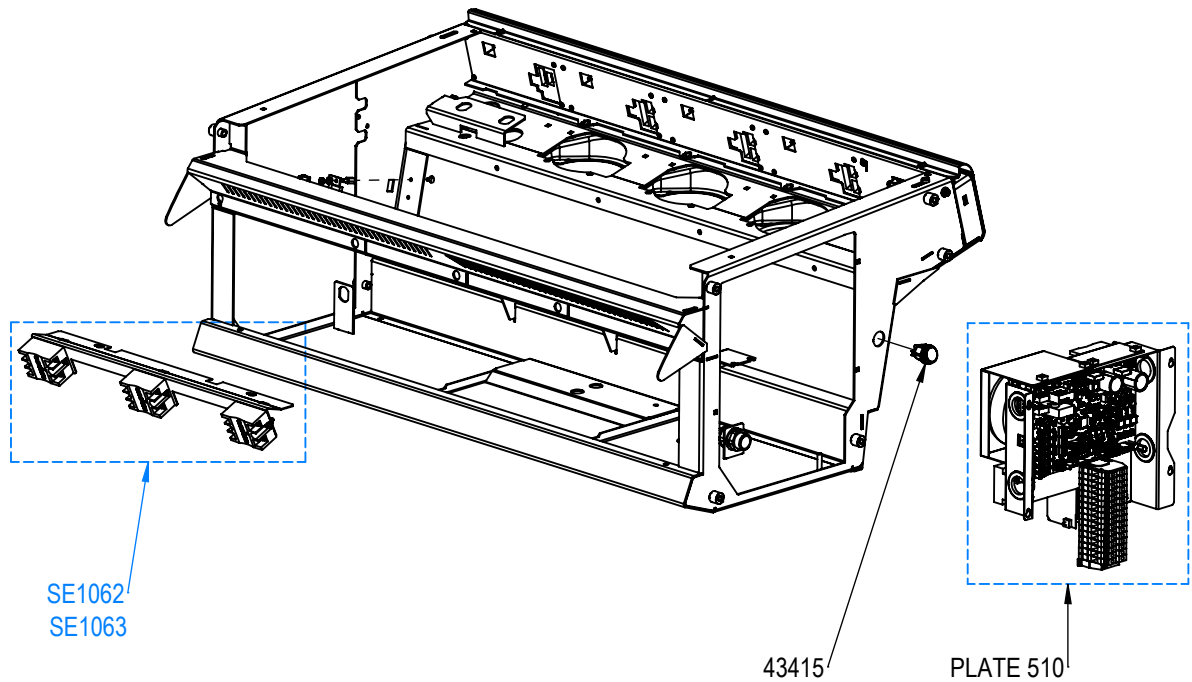
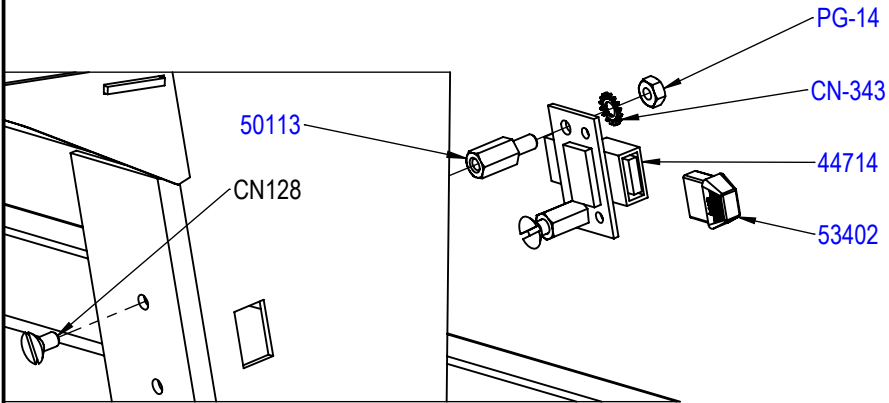
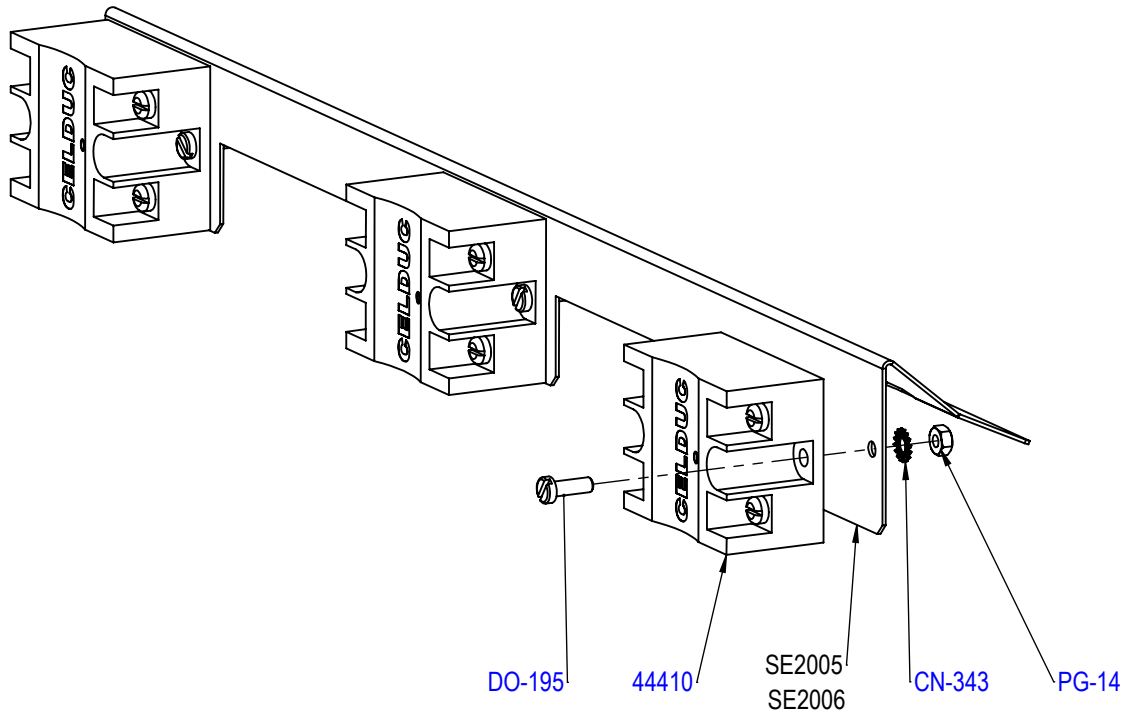
 Loctite 601

 Loctite 262



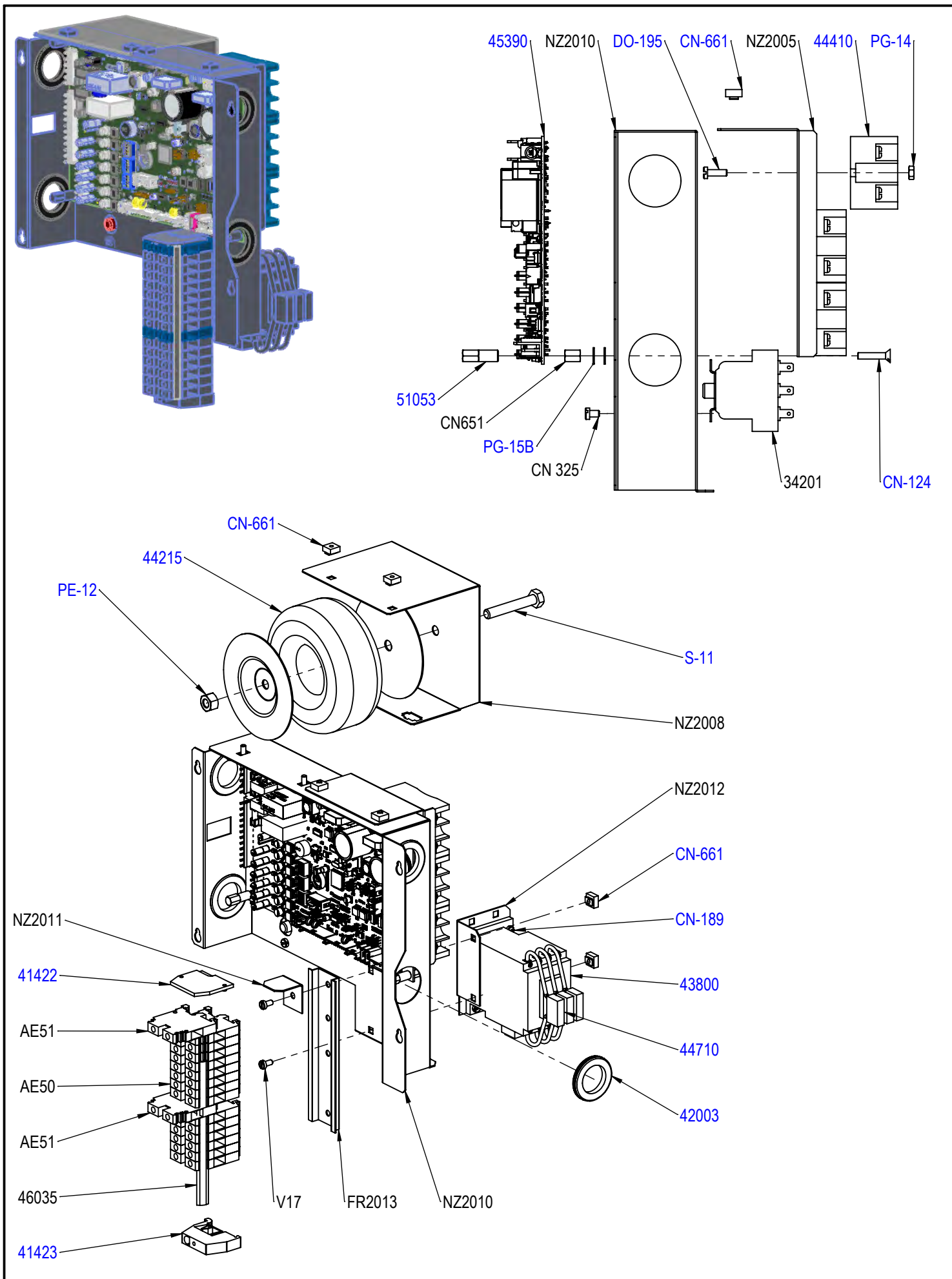
**PLANCHE - PLATE 500**

<b>REF</b>	<b>DESIGNATIONS FR</b>	<b>DESIGNATIONS GB</b>
43415	INTERRUPTEUR BIPOLAIRE A BASCULE	<i>BIPOLAR SWITCH</i>
44410	RELAIS STATIQUE 25A	<i>SOLID STATE RELAY 25A</i>
44714	PRISE USB	<i>USB JACK</i>
50113	COLONNETTE M-F M4X13	<i>SPACER M-F M4X13</i>
53402	BOUCHON PRISE USB	<i>CAP FOR USB A JACK</i>
CN-128	VIS INOX TF M4 X 8	<i>SCREW M4 X 8</i>
CN-343	RONDELLE EVENTAIL 4	<i>WASHER 4</i>
DO-195	VIS ACIER INOX TC 4 X 12	<i>SCREW M4 X 12</i>
PG-14	ECROU M4	<i>NUT M4</i>
SE1062	SOUS ENSEMBLE RELAIS STATIQUE 2GR	<i>2 UNITS STATIC RELAY SUBASSEMBLY</i>
SE1063	SOUS ENSEMBLE RELAIS STATIQUE 3GR	<i>3 UNITS STATIC RELAY SUBASSEMBLY</i>
SE2005	SUPPORT RELAIS STATIQUES 3GR	<i>3 UNITS STATIC RELAY SUPPORT</i>
SE2006	SUPPORT RELAIS STATIQUES 2GR	<i>2 UNITS STATIC RELAY SUPPORT</i>



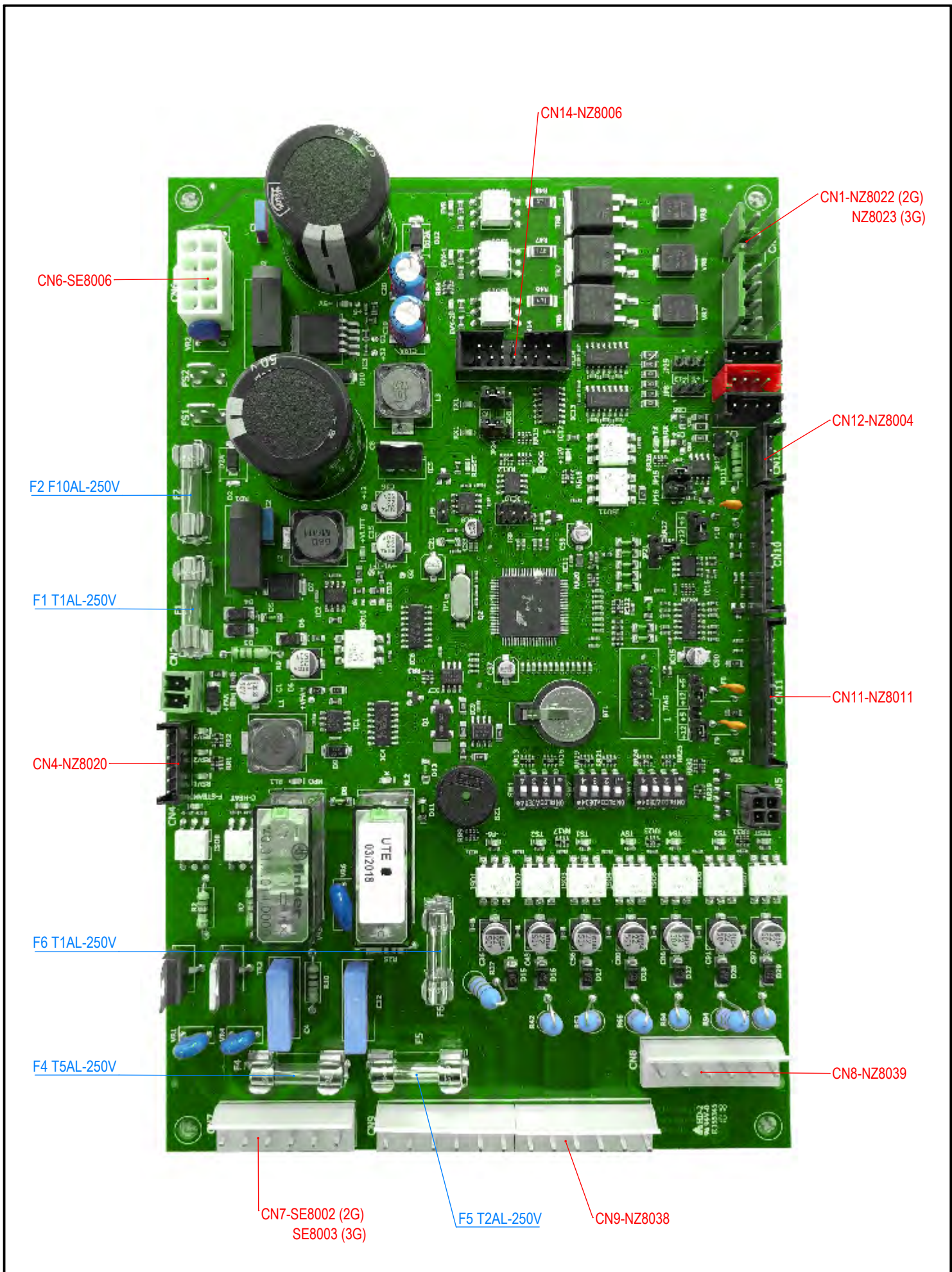
## PLANCHE - PLATE 510

REF	DESIGNATIONS FR	DESIGNATIONS GB
45390	CARTE CPU EPIC	EPIC CPU BOARD
34201	THERMOSTAT SECURITE 160C TRI	THERMOSTAT 160C TRI
41422	FLASQUE D'EXTREMITE	FLANGE TERMINAL BLOCK
41423	BUTEE SANS VIS BORNIER	END TERMINAL BOARD
42003	CONTRE ECROU PRESSE ETOUPE	PACKING GLAND NUT
43800	CONTACTEUR TETRA. 220V 25A 50HZ	CONTACTOR 220V 25A 50Hz
44215	TRANSFORMATEUR TOROIDAL 230V	TRANSFORMER 200-230-240V
44410	RELAIS STATIQUE 25A	SOLID STATE RELAY 25A
44710	FILTRE ANTIPARASITE RC	RC FILTER
46035	ETIQUETTE BORNIER STELLA	TERMINAL BOARD STICKER
51053	ECROU LONG M4	LONG NUT M4
AE-50	BORNIER GM GRIS	TERMINAL BLOCK GREY
AE-51	BORNIER GM BLEU	TERMINAL BLOCK BLUE
CN-124	VIS INOX TF 4 x 20	SCREW M4 X 20
CN-189	VIS TC M4 X 16 INOX	SCREW M4 X 16
CN-325	VIS INOX TC 4 x 6	SCREW M4 X 6
CN-651	ENTRETOISE COURTE DU C.I.	SHORT SPACER FRAME
CN-661	ECROU CAGE M4, EP 1/1.6	INSERT NUT M4
DO-195	VIS ACIER INOX TC 4 X 12	SCREW M4 X 12
FR2013	RAIL	RAIL
NZ2005	SUPPORT RELAIS	RELAY SUPPORT
NZ2008	SUPPORT TRANSFORMATEUR	TRANSFORMER SUPPORT
NZ2010	COFFRET ELECTRIQUE	ELECTRICAL BOX
NZ2011	EQUERRE ARRET BORNIER	BRACKET STOP
NZ2012	EQUERRE SUPPORT CONTACTEUR	BRACKET CONTACTOR
PE-12	ECROU M8	NUT M8
PG-14	ECROU M4	NUT M4
PG-15B	RONDELLE INOX 4.2X10X0.8	WASHER
S-11	VIS TH M8X50	SCREW HM8X50
V-17	VIS INOX TC 4 x 8	SCREW M4 X 8



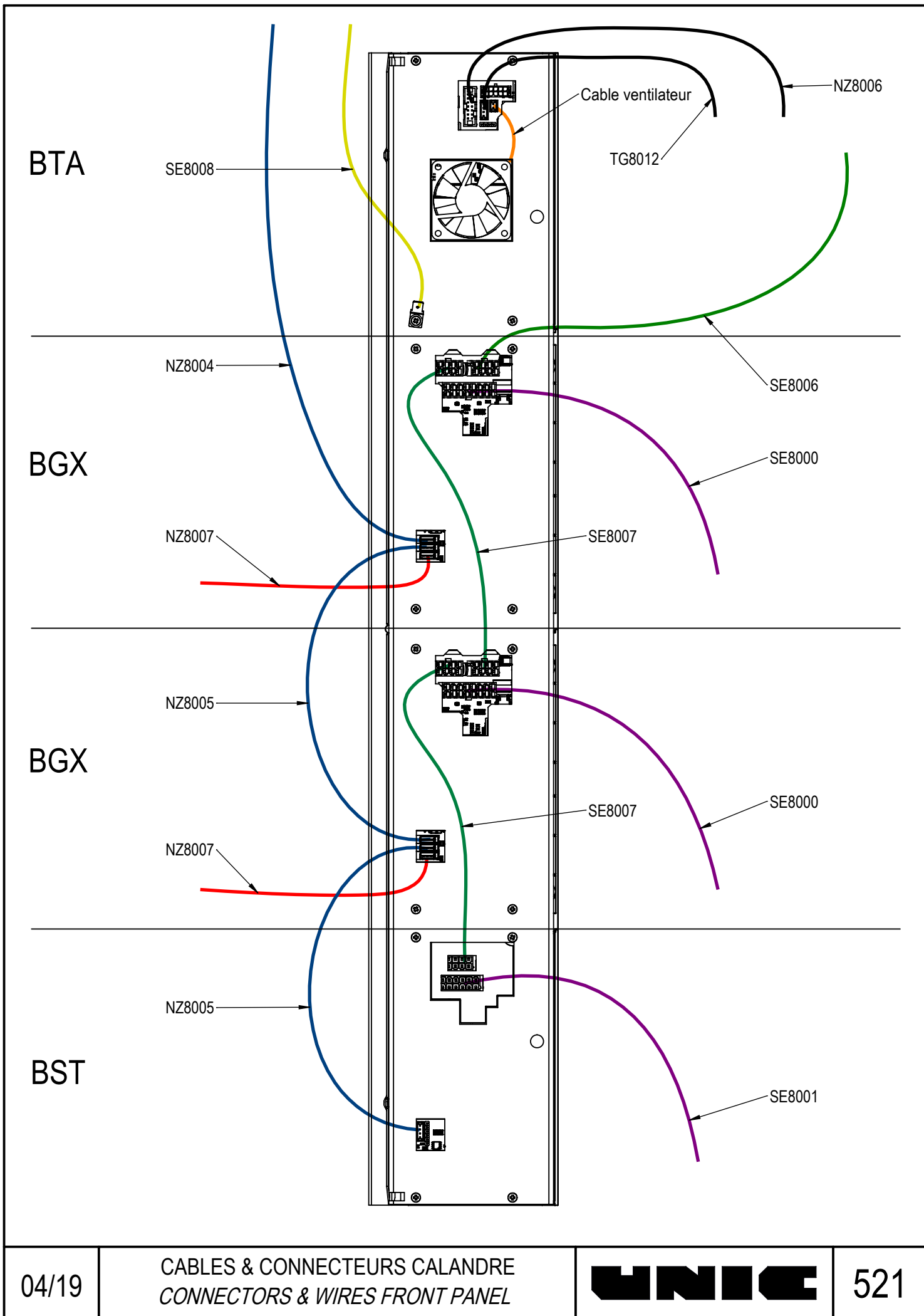
**PLANCHE - PLATE 520**

<b>REF</b>	<b>DESIGNATIONS FR</b>	<b>DESIGNATIONS GB</b>
43113	FUSIBLE 5 X 20 1A RETARDE T	FUSE 1A DELAYED
43114	FUSIBLE 5 X 20 10A RAPIDE	FUSE 10A FAST
43115	FUSIBLE 5 X 20 5A RETARDE T	FUSE 5A DELAYED
43116	FUSIBLE 5 X 20 2A RETARDE T	FUSE 2A DELAYED
NZ8004	CABLE LIAISON 485 CPU/BGX	LINK 485 CPU/BGX CABLE
NZ8006	CABLE LIAISON CPU/BTA	LINK CPU/BTA CABLE
NZ8011	CABLE CAPTEUR CHAUDIERE VAPEUR	STEAM BOILER SENSOR CABLE
NZ8020	CABLE CMD RELAIS STATIQUE VAPEUR	STEAM SOLID STATE RELAY CABLE
NZ8022	CABLE EV REMPLISSAGE 2GR	2 UNITS EV FEEDING CABLE
NZ8023	CABLE EV REMPLISSAGE 3GR	3 UNITS EV FEEDING CABLE
NZ8038	CABLE CN9 CPU	CN9 CPU CABLE
NZ8039	CABLE CN8 CPU 3GR	3 UNITS CN8 CPU CABLE
SE8002	CABLE COMMANDE POMPE 2GR	2 UNITS PUMP CONTROL WIRE
SE8003	CABLE COMMANDE POMPE 3GR	3 UNITS PUMP CONTROL WIRE
SE8006	CABLE ALIMENTATION CPU-BGX 24V AC/DC	CPU-BGX 24V AC/DC ALIMENTATION WIRE



**PLANCHE - PLATE 521**

<b>REF</b>	<b>DESIGNATIONS FR</b>	<b>DESIGNATIONS GB</b>
NZ8004	CABLE LIAISON 485 CPU/BGX	<i>LINK 485 CPU/BGX CABLE</i>
NZ8005	CABLE LIAISON 485 BGX/BGX	<i>LINK 485 BGX/BGX CABLE</i>
NZ8006	CABLE LIAISON CPU/BTA	<i>LINK CPU/BTA CABLE</i>
NZ8007	CABLE DOSAMAT	<i>DOSAMAT CABLE</i>
SE8000	CABLE BGX	<i>BGX WIRE</i>
SE8001	CABLE BST	<i>BST WIRE</i>
SE8006	CABLE ALIMENTATION CPU-BGX 24V AC/DC	<i>CPU-BGX 24V AC/DC ALIMENTATION WIRE</i>
SE8007	CABLE ALIMENTATION BGX-BGX 24V AC/DC	<i>BGX-BGX 24V AC/DC ALIMENTATION WIRE</i>
SE8008	CABLE GND CALANDRE	<i>FRONT PANEL GND WIRE</i>
TG8012	CABLE LIAISON USB	<i>USB LINK WIRE</i>



**PLANCHE - PLATE 530**

<b>REF</b>	<b>DESIGNATIONS FR</b>	<b>DESIGNATIONS GB</b>
FR8031	CABLE ALIM MONO 220V UL/CSA	220V UL/CSA MACHINE POWER WIRE
FR8028	CABLE ALIMENTATION MACHINE	MACHINE POWER WIRE
NZ8004	CABLE LIAISON 485 CPU/BGX	LINK 485 CPU/BGX CABLE
NZ8005	CABLE LIAISON 485 BGX/BGX	LINK 485 BGX/BGX CABLE
NZ8006	CABLE LIAISON CPU/BTA	LINK CPU/BTA CABLE
NZ8007	CABLE DOSAMAT	DOSAMAT CABLE
NZ8011MP	CABLE CAPTEUR CHAUDIERE VAPEUR	STEAM BOILER SENSOR CABLE
NZ8020	CABLE CMD RELAIS STATIQUE VAPEUR	STEAM SOLID STATE RELAY CABLE
NZ8022	CABLE EV REMPLISSAGE 2GR	2 UNITS EV FEEDING CABLE
NZ8023	CABLE EV REMPLISSAGE 3GR	3 UNITS EV FEEDING CABLE
NZ8038	CABLE CN9 CPU	CN9 CPU CABLE
NZ8039	CABLE CN8 CPU 3GR	3 UNITS CN8 CPU CABLE
NZ8042	CABLE ALIM MONO 240V 50HZ	240V 50HZ MACHINE POWER WIRE
NZ8053	CABLE POUR LED GROUPE- EV	UNIT-EV CABLE FOR LED
NZ8054	CABLE LED GROUPE	LED UNIT CABLE
SE8000	CABLE BGX	BGX WIRE
SE8001	CABLE BST	BST WIRE
SE8002	CABLE COMMANDE POMPE 2GR	2 UNITS PUMP CONTROL WIRE
SE8003	CABLE COMMANDE POMPE 3GR	3 UNITS PUMP CONTROL WIRE
SE8006	CABLE ALIMENTATION CPU-BGX 24V AC/DC	CPU-BGX 24V AC/DC ALIMENTATION WIRE
SE8007	CABLE ALIMENTATION BGX-BGX 24V AC/DC	BGX-BGX 24V AC/DC ALIMENTATION WIRE
SE8008	CABLE GND CALANDRE	FRONT PANEL GND WIRE
TG8012	CABLE LIAISON USB	USB LINK WIRE

REF	DESIGNATION FR	DESIGNATION EN	C.N.	PIN	DESIGNATION PIN
FR8028	CABLE ALIMENTATION MACHINE	MACHINE POWER WIRE			
FR8031	CABLE ALIM MONO 220V UL/CSA	220V UL/CSA MACHINE POWER WIRE			
NZ8004	CABLE LIAISON 485 CPU/BGX	LINK 485 CPU/BGX CABLE	CN12	4	
NZ8005	CABLE LIAISON 485 BGX/BGX	LINK 485 BGX/BGX CABLE		4	
NZ8006	CABLE LIAISON CPU/BTA	LINK CPU/BTA CABLE		14	
NZ8007	CABLE DOSAMAT	DOSAMAT CABLE	CN4	4	
NZ8011MP	CAPTEUR CHAUDIERE VAPEUR	STEAM BOILER SENSOR CABLE	CN11	1	TERRE / MASSE
				2/3	SONDE NIVEAU CHAUDIERE
				4/5/6	CAPTEUR PRESSION CHAUDIERE VAPEUR
				8/9/10	CAPTEUR PRESSION ENTREE D'EAU
NZ8020	CMD RELAIS STATIQUE VAPEUR	STEAM SOLID STATE RELAY CABLE	CN4	1/2	RELAIS STATIQUE 3
				3/4	RELAIS STATIQUE 2
				5/6	RELAIS STATIQUE 1
NZ8022	CABLE EV REMPLISSAGE 2GR	2 UNITS EV FEEDING CABLE	CN1	1/2	EVR
NZ8023	CABLE EV REMPLISSAGE 3GR	3 UNITS EV FEEDING CABLE			
NZ8038	CABLE CN9 CPU	CN9 CPU CABLE	CN9	1	TRANSFO
				2/6	BORNIER
				3/5	CONTACTEUR
				7/8	TS2
				9/10	TS1
				11/12	TSV
NZ8039	CABLE CN8 CPU 3GR	3 UNITS CN8 CPU CABLE	CN8	3/4	TS3
NZ8042	CABLE ALIM MONO 240V 50HZ	240V 50HZ MACHINE POWER WIRE			
NZ8053	CABLE POUR LED GROUPE- EV	UNIT-EV CABLE FOR LED			
NZ8054	CABLE LED GROUPE	LED UNIT CABLE			
SE8000	CABLE BGX	BGX WIRE	CN11	1/9	EVP
				2/10	EVK
				3/10/11	DOGX
				4/5/13	CAPTEUR PRESSION GROUPE
				6/14	SONDE TEMPERATURE GROUPE
				8/16	RELAIS STATIQUE
SE8001	CABLE BST	BST WIRE		1/7	EV STEAM
				2/8	EV EAU
				3/9/10	DOE
				5/11	SONDE STEAMAIR
SE8002	CABLE COMMANDE POMPE 2GR	2 UNITS PUMP CONTROL WIRE	CN7	3/6	ALIMENTATION POMPE
SE8003	CABLE COMMANDE POMPE 3GR	3 UNITS PUMP CONTROL WIRE			
SE8006	CABLE ALIM CPU-BGX 24V AC/DC	CPU-BGX 24V AC/DC ALIM WIRE		8	
SE8007	CABLE ALIM BGX-BGX 24V AC/DC	BGX-BGX 24V AC/DC ALIM WIRE		8	
SE8008	CABLE GND CALANDRE	FRONT PANEL GND WIRE		1	
TG8012	CABLE LIAISON USB	USB LINK WIRE	CN2	4	USB

**PLANCHE - PLATE 600**

<b>REF</b>	<b>DESIGNATIONS FR</b>	<b>DESIGNATIONS GB</b>
33126	COUPE COMPLETE BOTTOMLESS DOSAMAT	DOSAMAT BOTTOMLESS FILTER HOLDER
33127	COUPE COMPLETE BOTTOMLESS	BOTTOMLESS FILTER HOLDER
33426	FILTRE 2 TASSES 14 Gr 620 TROUS SP BARISTA	14Gr 620 HOLES BARISTA FILTER
33427	FILTRE 2 TASSES 18 Gr 620 TROUS SP BARISTA	18Gr 620 HOLES BARISTA FILTER
33428	FILTRE 3 TASSES 21Gr SP BARISTA	21Gr BARISTA FILTER
33434	FILTRE 2 TASSES 18Gr-320 TROUS	18Gr 320 HOLES BARISTA FILTER
33435	FILTRE 1 TASSE 12 Gr -192 TROUS	12Gr 192 HOLES BARISTA FILTER
92017	BROSSE POUR NETTOYAGE GROUPE	BRUSH FOR CLEANING GROUP
92019	TASSOIR MANUEL DIAM 57MM UNIC NOIR	MANUAL TAMPER DIAM 57MM UNIC BLACK
92070	DOUCHETTE BARISTA	BARISTA SPRAY
92071	TASSOIR MANUEL NIVELEUR	MANUAL TAMPER LEVELER
92072	TAPIS BARISTA	BARISTA CARPET
92073	THERMOMETRE	THERMOMETER
92074	BALANCE	PRECISION SCALE
92075	KIT NETTOYAGE	CLEANING KIT
92076	POT A LAIT 35 CL INOX	INOX MILK POT 35 CL
92077	POT A LAIT 50 CL INOX	INOX MILK POT 50 CL
92078	POT A LAIT 75 CL INOX	INOX MILK POT 75 CL
92079	POT A LAIT 1 L INOX	INOX MILK POT 1 L
92080	CHIFFON MICROFIBRE	MICROFIBER CLOTH
92099	MALETTE A ACCESSOIRES BARISTA	ADVANCED BARISTA BOX
NZ2048	REFLECTEUR BARISTA	BARISTA MIRROR
SE2045	REHAUSSE GRILLE BALANCE BARISTA	RAISE SCALE BALANCE BARISTA

92099 Malette à accessoires barista  
Advanced barista box

92019



92071



33126 (dosamat)  
33127



33435



33434



33426



33427



33428



92070



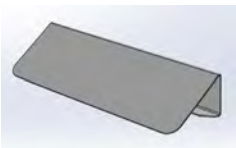
92017



92075



NZ2048



92072



92073



92074



SE2045



92076  
0.35L



92077  
0.5L



92078  
0.75L



92079  
1L



92080



**PLANCHE - PLATE 601**

<b>REF</b>	<b>DESIGNATIONS FR</b>	<b>DESIGNATIONS GB</b>
33143	POIGNEE DE COUPE BOIS CHENE	HANDLE OAK WOOD
33144	POIGNEE DE COUPE BOIS WENGE	HANDLE WENGE WOOD
33145	POIGNEE DE COUPE CUIR	HANDLE LEATHER
33126BC	COUPE COMPLETE BOTTOMLESS DOSAMAT CHENE	DOSAMAT BOTTOMLESS FILTER HOLDER OAK
33126BF	COUPE COMPLETE BOTTOMLESS DOSAMAT WENGÉ	DOSAMAT BOTTOMLESS FILTER HOLDER WENGE
33126C	COUPE COMPLETE BOTTOMLESS DOSAMAT CUIR	DOSAMAT BOTTOMLESS FILTER HOLDER LEATHER
33127BC	COUPE COMPLETE BOTTOMLESS CHENE	BOTTOMLESS FILTER HOLDER OAK
33127BF	COUPE COMPLETE BOTTOMLESS WENGÉ	BOTTOMLESS FILTER HOLDER WENGE
33127C	COUPE COMPLETE BOTTOMLESS CUIR	BOTTOMLESS FILTER HOLDER LEATHER
33161BC	COUPE COMPLETE 1T AVEC CAPTEUR CHENE	1 CUP FILT. HOLDER WITH SENSOR OAK
33161BF	COUPE COMPLETE 1T AVEC CAPTEUR WENGÉ	1 CUP FILT. HOLDER WITH SENSOR WENGE
33161C	COUPE COMPLETE 1T AVEC CAPTEUR CUIR	1 CUP FILT. HOLDER WITH SENSOR LEATHER
33162BC	COUPE COMPLETE 2T AVEC CAPTEUR CHENE	2 CUP FILT. HOLDER WITH SENSOR OAK
33162BF	COUPE COMPLETE 2T AVEC CAPTEUR WENGÉ	2 CUP FILT. HOLDER WITH SENSOR WENGE
33162C	COUPE COMPLETE 2T AVEC CAPTEUR CUIR	2 CUP FILT. HOLDER WITH SENSOR LEATHER
33171BC	COUPE COMPLETE 1T AVEC RFID CHENE	1 CUP FILT. HOLDER WITH RFID OAK
33171BF	COUPE COMPLETE 1T AVEC RFID WENGÉ	1 CUP FILT. HOLDER WITH RFID WENGE
33171C	COUPE COMPLETE 1T AVEC RFID CUIR	1 CUP FILT. HOLDER WITH RFID LEATHER
33172BC	COUPE COMPLETE 2T AVEC RFID CHENE	2 CUP FILT. HOLDER WITH RFID OAK
33172BF	COUPE COMPLETE 2T AVEC RFID WENGÉ	2 CUP FILT. HOLDER WITH RFID WENGE
33172C	COUPE COMPLETE 2T AVEC RFID CUIR	2 CUP FILT. HOLDER WITH RFID LEATHER
33181BC	COUPE COMPLETE 1T CHENE	1 CUP FILTER HOLDER OAK
33181BF	COUPE COMPLETE 1T WENGÉ	1 CUP FILTER HOLDER WENGE
33181C	COUPE COMPLETE 1T CUIR	1 CUP FILTER HOLDER LEATHER
33182BC	COUPE COMPLETE 2T CHENE	2 CUPS FILTER HOLDER OAK
33182BF	COUPE COMPLETE 2T WENGÉ	2 CUPS FILTER HOLDER WENGE
33182C	COUPE COMPLETE 2T CUIR	2 CUPS FILTER HOLDER LEATHER

Pour les portes filtres en cuir, faire une demande spécifique pour la couleur du cuir.  
*For leather filter holder, do specific order for the leather color.*

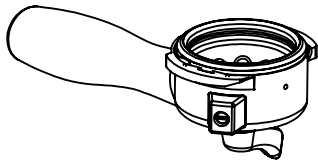
33143



33144

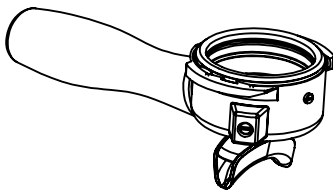
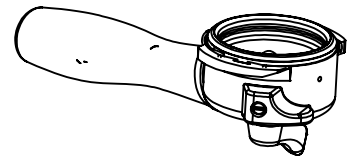


33145 cuir générique / *leather generic*



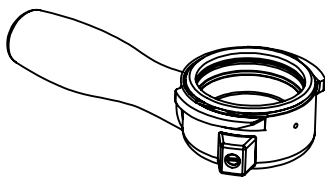
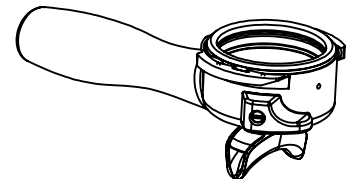
33161BC  
 33161BF  
 33161C

33171BC  
 33171BF  
 33171C



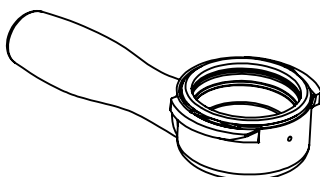
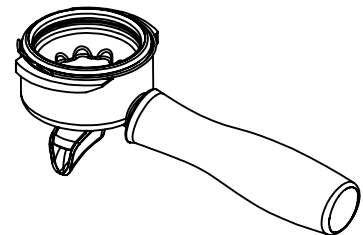
33162BC  
 33162BF  
 33162C

33172BC  
 33172BF  
 33172C



33126BC  
 33126BF  
 33126C

33181BC  
 33181BF  
 33181C



33127BC  
 33127BF  
 33127C

33182BC  
 33182BF  
 33182C

