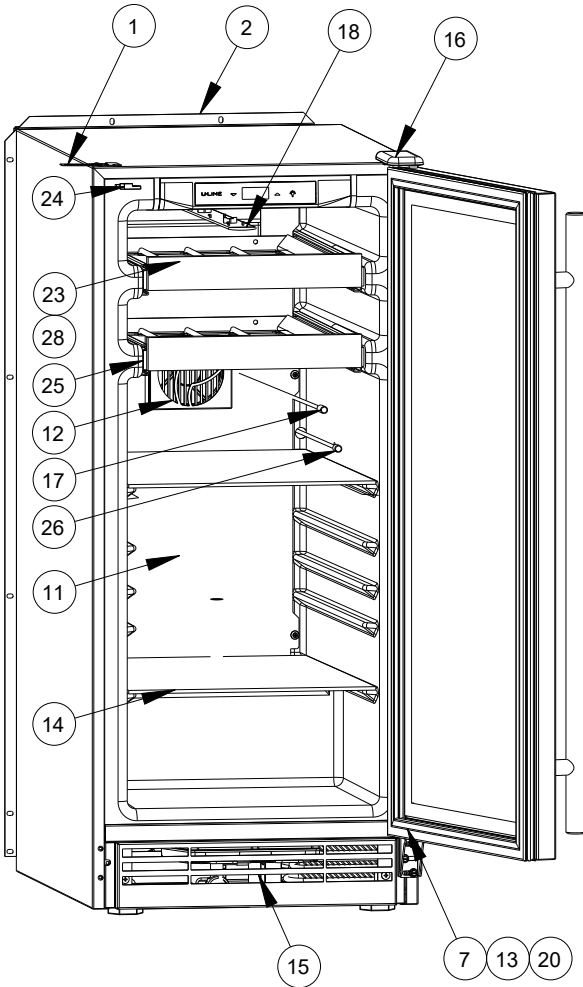
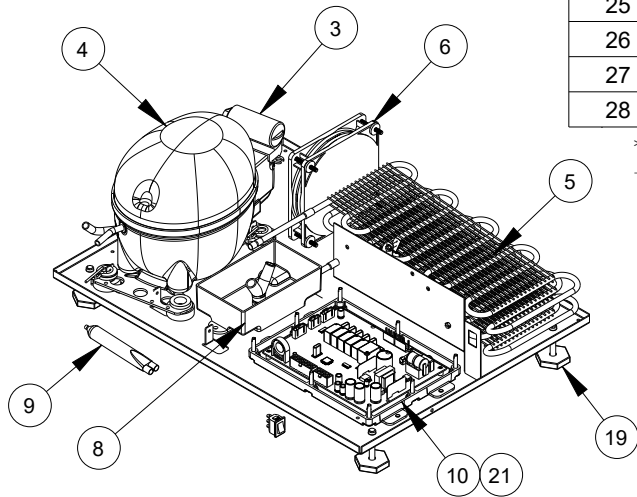


# USER GUIDE

## Parts



SUHBV115-SG01A		
Item	Description	U-Line P/N
1	ANTI TIP BRACKET W/SCREWS	<a href="#">80-54221-00</a>
2	BACK PANEL	<a href="#">80-54392-00</a>
3	COMPRESSOR ELECTRICALS ONLY	<a href="#">80-54149-00</a>
4	COMPRESSOR W/ELECTRICALS	<a href="#">80-54150-00</a>
5	CONDENSER ASSEMBLY	<a href="#">80-54231-00</a>
6	CONDENSER FAN W/SCREWS	<a href="#">80-54014-00</a>
7	DOOR ASSEMBLY W/HINGES	<a href="#">80-54261-01</a>
8	DRAIN PAN W/TUBING AND TAPE	<a href="#">80-54217-00</a>
9	DRIER	<a href="#">80-54055-00</a>
10	ENCLOSURE ASSEMBLY, BOARD	<a href="#">80-54532-00</a>
11	EVAPORATOR ASSEMBLY, OUTDR 1C	<a href="#">80-55405-00</a>
12	EVAPORATOR FAN	<a href="#">80-54321-00</a>
13	GASKET, 15" DOOR	<a href="#">80-55244-02</a>
14	GLASS SHELF W/EDGE TRIM	<a href="#">80-54888-00</a>
15	GRILLE ASSEMBLY, 15"	<a href="#">80-55609-02</a>
16	HINGE ASSEMBLY 15" BLACK	<a href="#">80-55595-01</a>
17	HI TEMP THERMISTOR	<a href="#">80-54070-00</a>
18	LED LIGHT STRIP AND COVER ASSY	<a href="#">80-54000-00</a>
19	LEG LEVELERS (4)	<a href="#">80-54019-00</a>
20	MAGNET, DOOR	<a href="#">80-54902-00</a>
21	MAIN BOARD/DISPLAY, BLACK	<a href="#">80-55610-00</a>
22	PACKAGING *	<a href="#">80-54238-00</a>
23	RACK ASSEMBLY	<a href="#">80-54255-00</a>
24	REED SWITCH ASSEMBLY*	<a href="#">80-54284-00</a>
25	SLIDE ASSEMBLY	<a href="#">80-54219-00</a>
26	THERMISTOR (1PC)	<a href="#">80-54006-00</a>
27	WIRE HARNESS & POWER CORD *	<a href="#">80-55424-00</a>
28	WOOD FRONT, BLK	<a href="#">80-54290-01</a>



\*Not Shown

+ Reed Switch located behind display