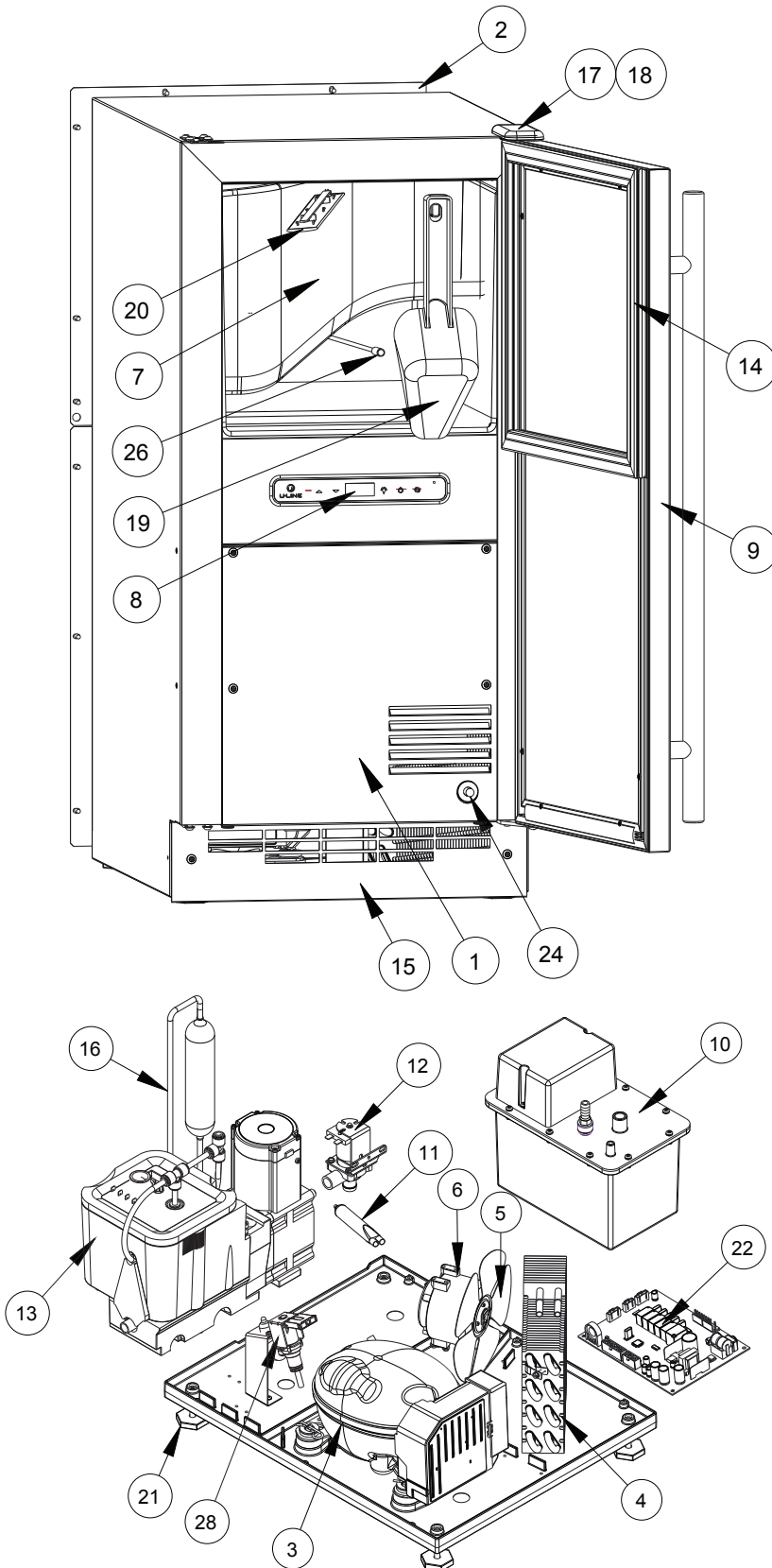


## Parts

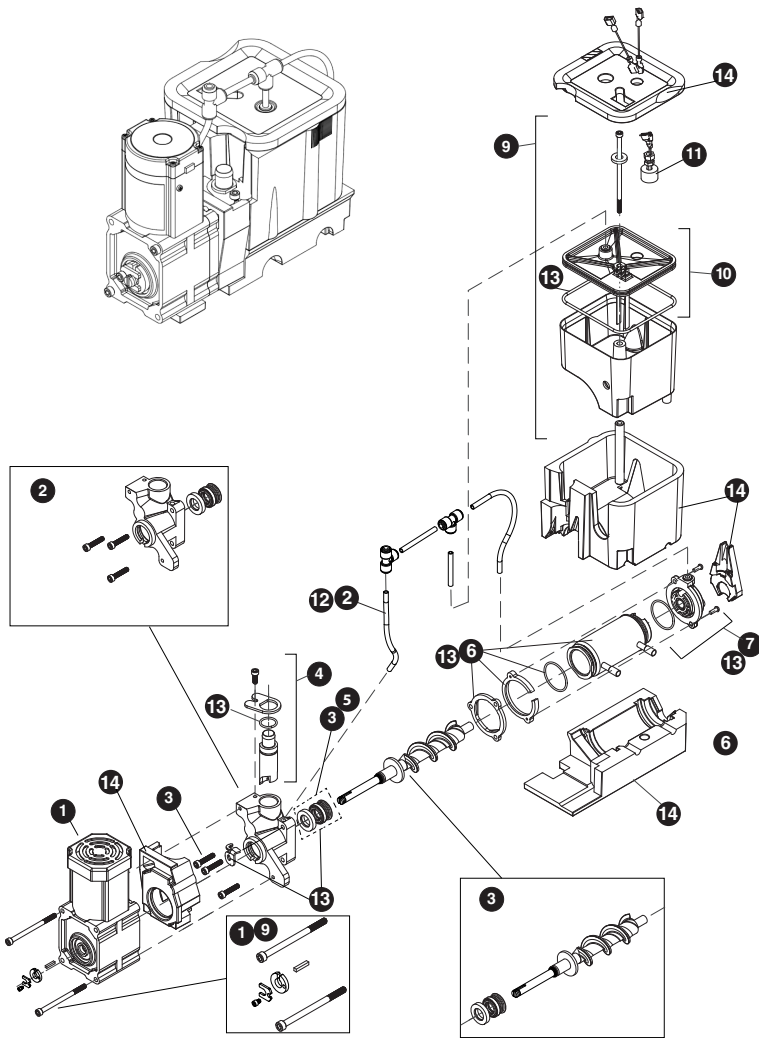


| UANP115-SS01A |                              |                                |
|---------------|------------------------------|--------------------------------|
| 1             | ACCESS PANEL                 | 80-55393-00                    |
| 2             | BACK PANEL                   | 80-55394-00                    |
| 3             | COMPRESSOR                   | 80-55211-00                    |
| 4             | CONDENSER ASSEMBLY           | 80-55379-00                    |
| 5             | CONDENSER FAN BLADE          | <a href="#">80-54066-00</a>    |
| 6             | CONDENSER FAN MOTOR          | <a href="#">80-54138-00</a>    |
| 7             | COVER W/HOOK                 | <a href="#">80-54332-00</a>    |
| 8             | DISPLAY MODULE               | 80-55214-00                    |
| 9             | DOOR ASSEMBLY                | 80-55395-00                    |
| 10            | DRAIN PUMP                   | <a href="#">80-54147-00</a>    |
| 11            | DRIER                        | <a href="#">80-54055-00</a>    |
| 12            | DUMP VALVE ASSEMBLY          | 80-55232-00                    |
| 13            | EVAPORATOR ASSEMBLY**        | 80-55371-00                    |
| 14            | GASKET, DOOR                 | 80-55396-00                    |
| 15            | GRILLE ASSEMBLY              | 80-55373-00                    |
| 16            | HEAT EXCHANGER ASSEMBLY      | 80-55434-00                    |
| 17            | HINGE ASSEMBLY               | 80-55397-00                    |
| 18            | HINGE COVER                  | 80-55499-00                    |
| 19            | ICE SCOOP                    | <a href="#">80-54080-00</a>    |
| 20            | LED LIGHT STRIP AND COVER    | <a href="#">80-54000-00</a>    |
| 21            | LEG LEVELERS (4)             | <a href="#">80-54019-00</a>    |
| 22            | MAIN BOARD                   | <a href="#">80-55398-00</a>    |
| 23            | NUGGET ICE CLEANER*          | <a href="#">ULANUGGETCLEAN</a> |
| 24            | PLUNGER SWITCH               | 80-55375-00                    |
| 25            | POWER CORD*                  | 80-55399-00                    |
| 26            | THERMISTOR                   | <a href="#">80-54006-00</a>    |
| 27            | WATER SUPPLY LINE KIT*       | <a href="#">ULAWATERHOOKUP</a> |
| 28            | WATER VALVE, RESERVOIR/INLET | 80-88448-00                    |
| 29            | WIRE HARNESS, BOARD*         | 80-55226-00                    |

\*Not Pictured

\*\*See next page for parts breakdown

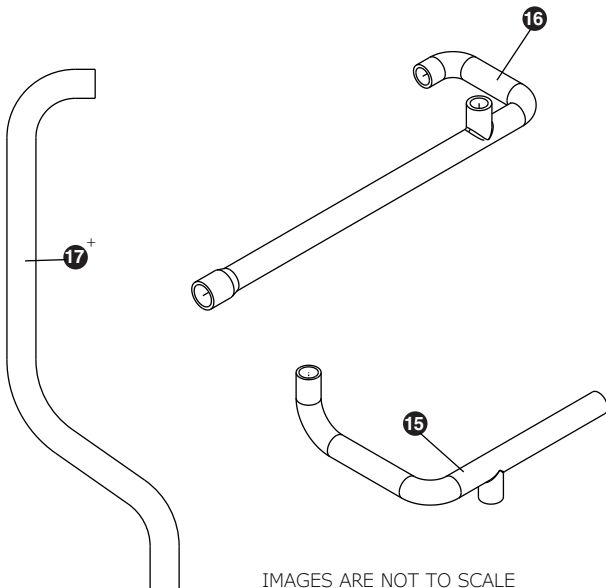
## Parts



| <b>NUGGET ICE EVAPORATOR</b> |                                 |                             |
|------------------------------|---------------------------------|-----------------------------|
| 1                            | GEAR MOTOR ASSEMBLY             | 80-55371-01                 |
| 2                            | MAIN HOUSING W/SEAL & SCREWS    | 80-55371-02                 |
| 3                            | AUGER W/FRONT SEAL              | <a href="#">80-55371-04</a> |
| 4                            | ICE COMPRESSION NOZZLE ASSY     | 80-55371-05                 |
| 5                            | FRONT SEAL AND O-RING           | 80-55371-06                 |
| 6                            | EVAPORATOR W/FLANGES & O-RING   | 80-55371-07                 |
| 7                            | HOUSING, BUSHING                | 80-55371-08                 |
| 8                            | HARDWARE KIT, GEAR MOTOR        | 80-55371-09                 |
| 9                            | RESERVOIR & FLOAT COMPLETE ASSY | 80-55371-10                 |
| 10                           | RESERVOIR LID & O-RING          | 80-55371-11                 |
| 11                           | FLOAT SWITCH                    | 80-55538-00                 |
| 12                           | WATER LINE, 12" SEGMENT         | 80-54722-01                 |
| 13                           | WATER SEAL KIT                  | 80-55371-13                 |
| 14                           | INSULATION KIT*                 | 80-55371-14                 |
| 15                           | DUMP VALVE TUBE ASSY            | 80-55447-01                 |
| 16                           | RESERVOIR DUMP VALVE TUBE ASSY  | 80-55371-20                 |
| 17                           | ICE TRANSPORT TUBE ASSY+        | 80-55371-19+                |

\*Insulation foam pieces are sold only as a complete set

+ ADA Model uses part number 80-55371-21



IMAGES ARE NOT TO SCALE