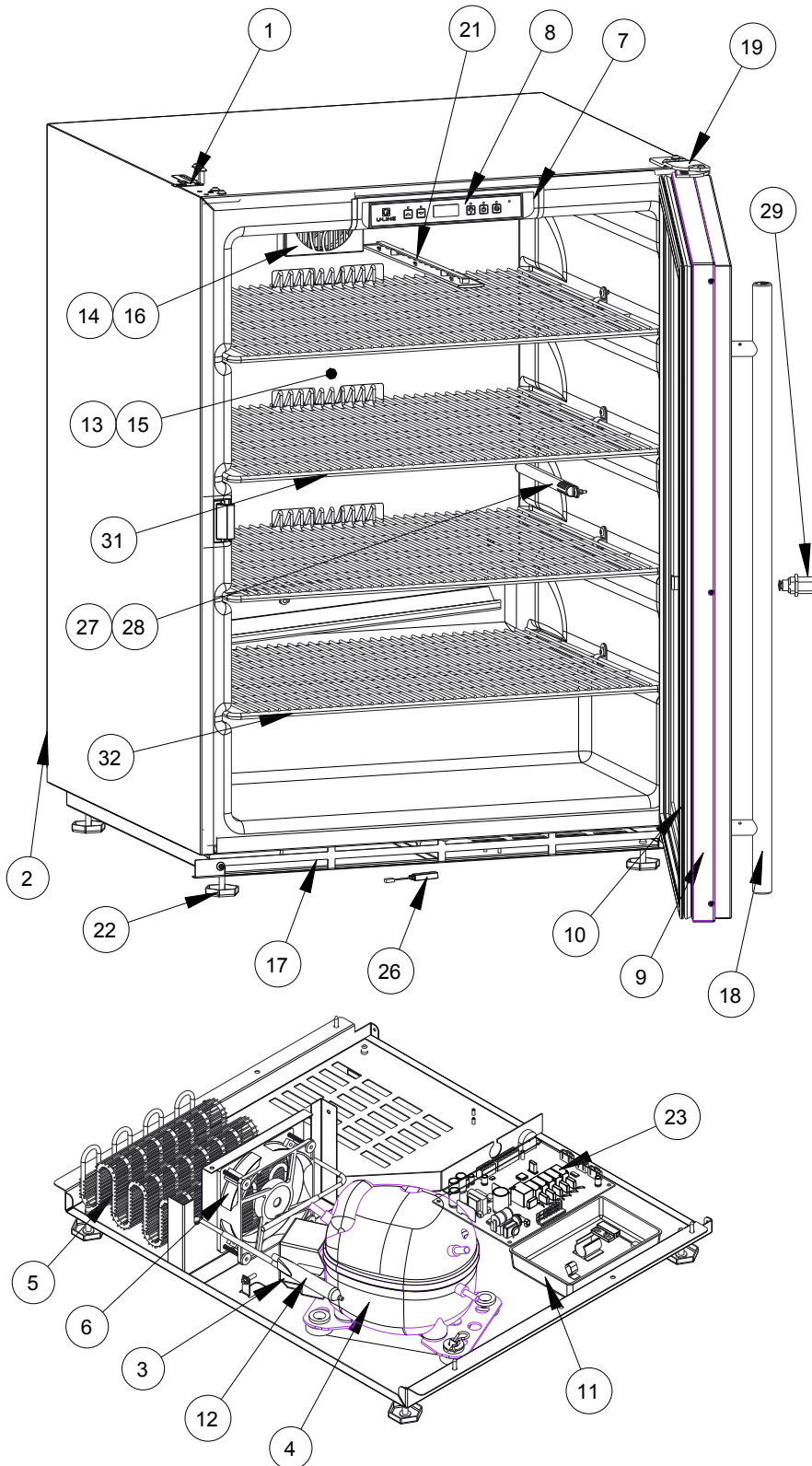


# USER GUIDE

SAFETY • INSTALLATION & INTEGRATION • OPERATING INSTRUCTIONS • MAINTENANCE • **SERVICE**

## Parts



U-ADA24RS-13B		
Item	Description	U-Line P/N
1	Anti tip bracket w/screws	<a href="#">80-54239-00</a>
2	Back panel	<a href="#">80-54324-00</a>
3	Compressor electricals only	<a href="#">80-54149-00</a>
4	Compressor w/electricals	<a href="#">80-54150-00</a>
5	Condenser assembly	<a href="#">80-54322-00</a>
6	Condenser fan w/screws	<a href="#">80-54014-00</a>
7	Control Housing	<a href="#">80-54259-00</a>
8	Display module	<a href="#">80-54236-00</a>
9	Door assembly w/hinges	<a href="#">80-54327-00</a>
10	Gasket, door	<a href="#">80-54213-00</a>
11	Drain pan w/double sided tape	<a href="#">80-54323-00</a>
12	Drier	<a href="#">80-54055-00</a>
13	Evaporator assembly	<a href="#">80-54275-00</a>
14	Evaporator fan cover w/screws	<a href="#">80-54320-00</a>
15	Evaporator cover	<a href="#">80-54319-00</a>
16	Evaporator fan	<a href="#">80-54321-00</a>
17	Grille w/screws	<a href="#">80-54325-00</a>
18	Handle w/logo	<a href="#">80-54214-00</a>
19	Hinges (2) w/screws	<a href="#">80-54208-00</a>
20	Keys, babylock	<a href="#">80-54330-00</a>
21	LED light strip and cover assy	<a href="#">80-54000-00</a>
22	Leg Levelers (4)	<a href="#">80-54201-00</a>
23	Main board (no case or wires)	<a href="#">80-54008-00</a>
24	Packaging	<a href="#">80-54209-00</a>
25	Power cord	<a href="#">80-54171-00</a>
26	Reed switch assembly	<a href="#">80-54134-00</a>
27	Thermistor (1 pc)	<a href="#">80-54006-00</a>
28	Thermistor cover and pin	<a href="#">80-54237-00</a>
29	Universal lock assembly	<a href="#">80-54153-00</a>
30	Wire harness, board	<a href="#">80-54251-00</a>
31	Wire shelf w/clips(1)	<a href="#">80-54328-00</a>
32	Wire shelf btm, w/clips(1)	<a href="#">80-54329-00</a>