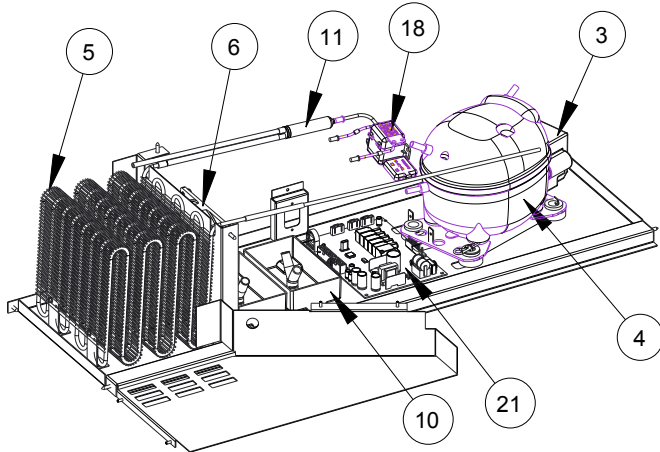
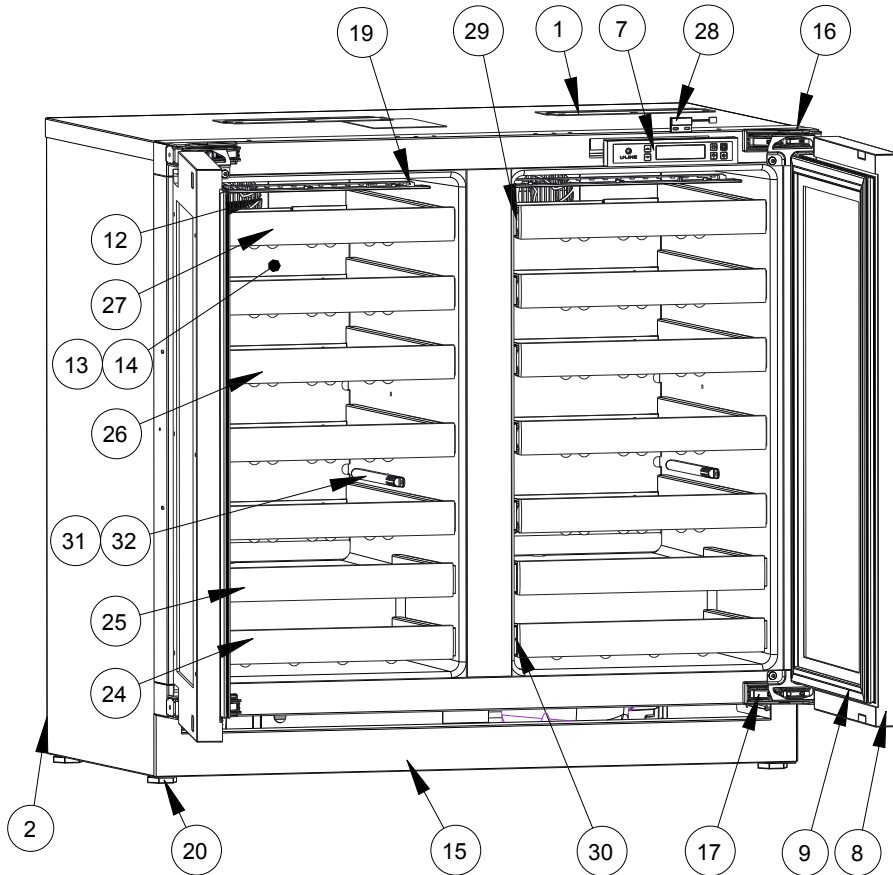


# USER GUIDE

SAFETY • INSTALLATION & INTEGRATION • OPERATING INSTRUCTIONS • MAINTENANCE • **SERVICE**

## Parts



U-3036WCWCINT-60B

Item	Description	U-Line P/N
1	Anti tip bracket w/screws	<a href="#">80-54012-00</a>
2	Back panel	<a href="#">80-54126-00</a>
3	Compressor electricals only	<a href="#">80-54149-00</a>
4	Compressor w/electricals	<a href="#">80-54150-00</a>
5	Condenser	<a href="#">80-54090-00</a>
6	Condenser fan w/screws	<a href="#">80-54014-00</a>
7	Display module	<a href="#">80-54032-00</a>
8	Door assembly w/o hinges	<a href="#">80-54174-00</a>
9	Door gasket	<a href="#">80-54003-00</a>
10	Drain pan w/double sided tape	<a href="#">80-54002-00</a>
11	Drier	<a href="#">80-54076-00</a>
12	Evap fan w/cover and screws	<a href="#">80-54151-00</a>
13	Evaporator	<a href="#">80-54125-00</a>
14	Evaporator cover	<a href="#">80-54021-00</a>
15	Grille w/screws	<a href="#">80-54123-00</a>
16	Hinge covers(2 pcs)	<a href="#">80-54001-00</a>
17	Hinges(2) w/screws and covers	<a href="#">80-54013-00</a>
18	By-pass valve	<a href="#">80-54180-00</a>
19	LED light strip and cover assy	<a href="#">80-54000-00</a>
20	Leg Levelers (4)	<a href="#">80-54019-00</a>
21	Main board(no wires or case)	<a href="#">80-54008-00</a>
22	Packaging	<a href="#">80-54127-00</a>
23	Power cord	<a href="#">80-54178-00</a>
24	Rack Assembly Bottom	<a href="#">80-54036-00</a>
25	Rack Assembly Lower	<a href="#">80-54035-00</a>
26	Rack Assembly Middle	<a href="#">80-54034-00</a>
27	Rack Assembly Top	<a href="#">80-54033-00</a>
28	Reed switch	<a href="#">80-54134-00</a>
29	Slide Assembly Long	<a href="#">80-54049-00</a>
30	Slide Assembly short	<a href="#">80-54048-00</a>
31	Thermistor (1 piece)	<a href="#">80-54006-00</a>
32	Thermistor cover and pin	<a href="#">80-54023-00</a>
33	Wire Harness, dual	<a href="#">80-54179-00</a>