



# TOWN

FOOD SERVICE EQUIPMENT CO., INC.



72 Beadel Street, Brooklyn New York 11222

tel. 718/388-5650 fax 718/388-5860

[www.townfood.com](http://www.townfood.com)

## Town RM Series Gas Rice Cooker - #2 Button Repair Guide

### SYMPTOMS

- #1 pilot button stays down and is on but #2 button will not stay down at all
- When the cook button is depressed, it slowly comes back up and the flame gets weaker.
- There is play in the #2 switch.
- User must wedge something on top so #2 button stays down. Cook time then needs to be done manually via a timer.

### CAUSE

By design, the #2 button on the RM series rice cookers can't be pushed down without the #1 button already in the down position. Allowing the #2 (main burner) button to be depressed without the #1 button down and pilot lit would release a dangerous amount of gas. Sometimes, users will force the #2 button down and bend an "L" shaped piece of metal inside the unit, causing the symptoms noted above. A yellow caution label on the base of the unit details the proper operating procedure.

### REPAIR STEPS

At the end of this document is an exploded view and an illustrated guide. Before beginning, make sure the gas to the unit is off (black handle on the gas valve).

1. Remove the 3 screws around the outside perimeter of the unit which hold the shroud (#7 in diagram) and the stainless steel cover (#8 in the diagram) to the base of the rice cooker. You will need a Phillips head screwdriver for this. Once this is done, the unit base with all the internal parts should be exposed.
2. Remove item #32. This is a brass plate that is at the top of the assembly above the #1 & #2 cook arms (inside the unit). This brass plate (#32) is held in place by one screw. Once this plate is removed, you should be able to look down into the assembly of the #2 button arm (#17 in the diagram).
3. Right in the middle of the #2 button arm is an "L" shaped piece of metal (see red arrow in the third step of the diagram). If you manually move the #2 button arm up and down, you should see this piece of metal clearly.
4. This piece of metal needs to be as close to vertical as possible. More than likely, on your unit, it is bent towards the rear. Use a pair of needle nosed pliers to bend it back to the vertical position.

Once the "L" shaped piece of metal on the #2 button arm is straightened vertically, the problem should be solved. To check, press down on the #1 button first. Then push down on the #2 button. The #2 button should stay down and engaged when you remove your finger.

### TESTING & VERIFICATION

1. Put the brass plate (#32) back on with the screw.
2. Reconnect the shroud and stainless steel cover (#7 & #8).
3. Put the rice pot into the unit.
4. Turn the gas valve handle back into the on position.
5. Pour 3-4 cups of water into the pot.
6. Light the pilot using the #1 button



# TOWN

發富公司

FOOD SERVICE EQUIPMENT CO., INC.

72 Beadel Street, Brooklyn New York 11222

tel. 718/388-5650 fax 718/388-5860

[www.townfood.com](http://www.townfood.com)

7. After the pilot is lit, push the #2 button to light the main burner.

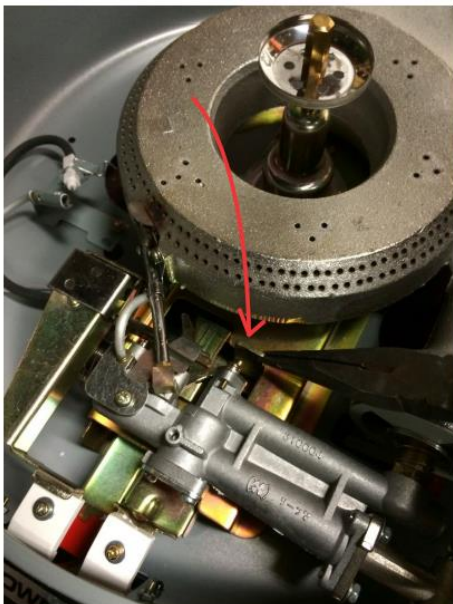
The unit should cook all the water until it almost completely evaporates and then it should cut itself off. If this occurs, the problem is fixed. If not, one or two sensors may need to be changed. There is a bimetallic sensor embedded underneath the pot (item # [56854](#)) and a shut off stem assembly (item # [56857](#)). If these are replaced and issues are still found, contact Town for further assistance.



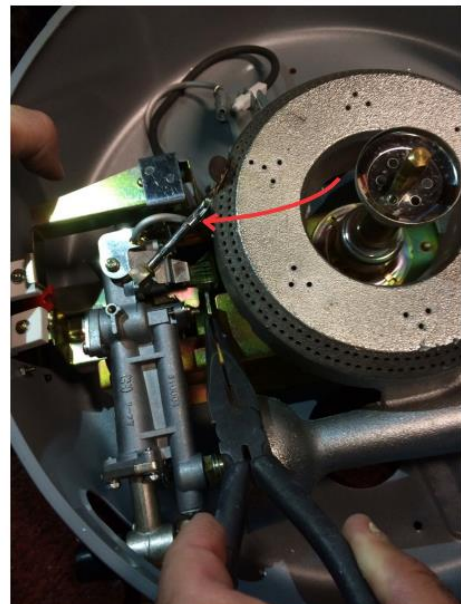
1



2



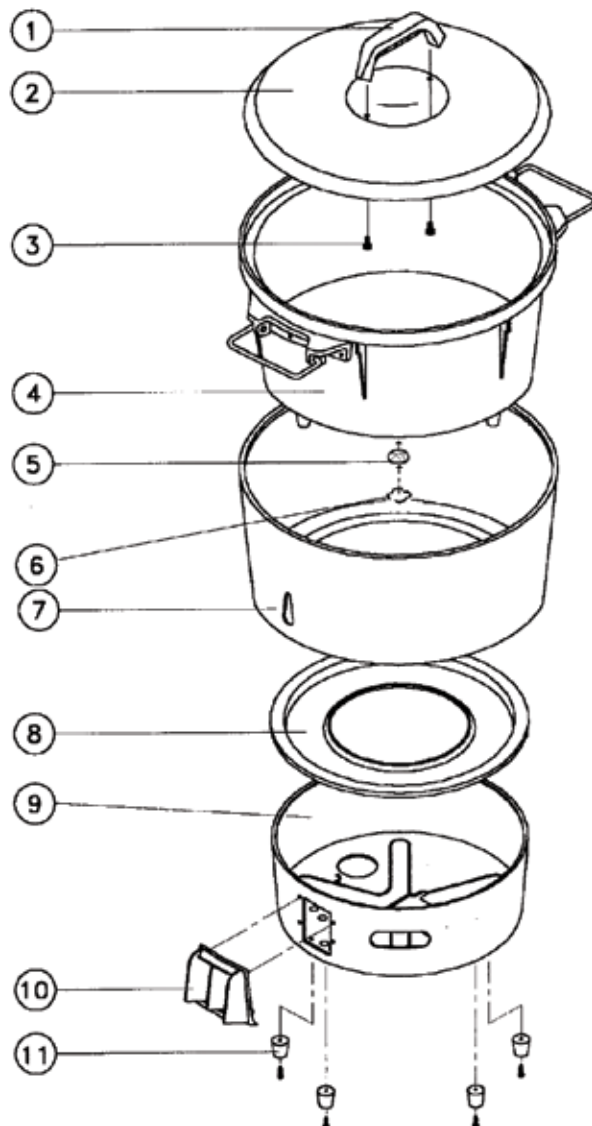
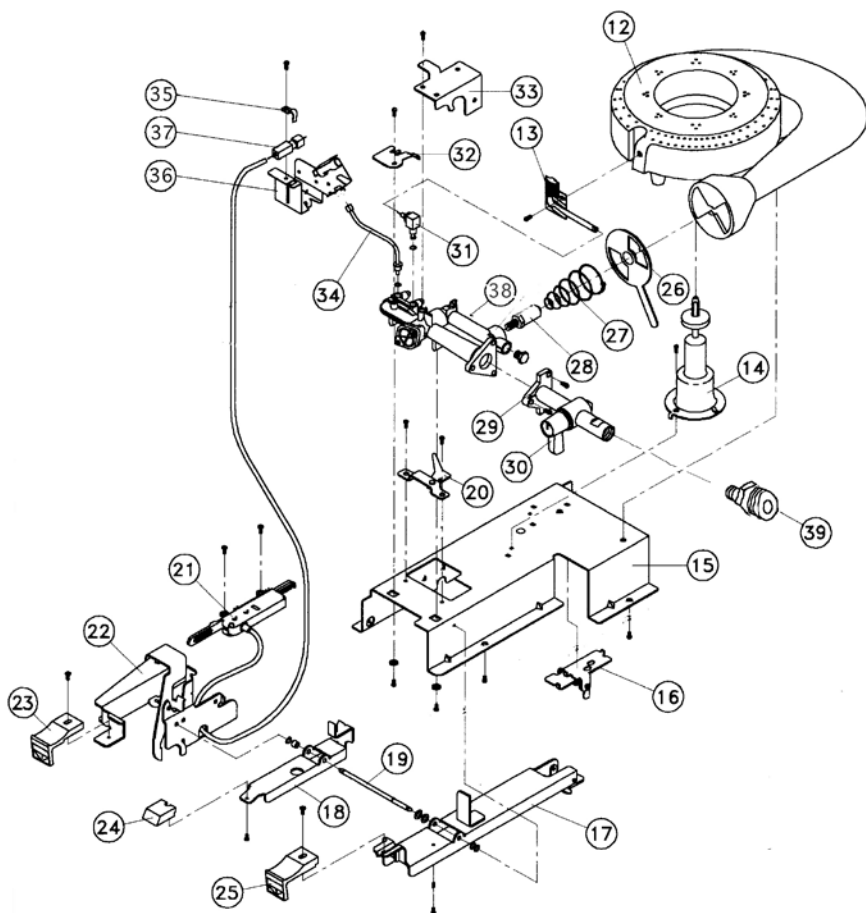
3



4

# RM-50/55 GAS RICEMASTER PARTS

PARTS



Dwg#	Part #	Description
1	56881	Cover Handle, Heat Resistant
2	56882	Stainless Steel Rice Pot Cover
3	56881-S	Cover Handle Screw
4	56853	Cast Aluminum Rice Pot
5	56855	Encased Bimetallic Sensor
5/6	56854	Sensing Element Kit
6	56856	Sensing Element Retaining Spring
7	56884	Outer Jacket for RM50
7	56884A	Outer Jacket for RM55

Dwg#	Part #	Description
8	56885	RM-50 Stainless Steel Base Cover
8	56885A	RM-55 Stainless Steel Base Cover
9	56852-1	Lower Body for RM50
9	56852-1A	Lower Body for RM55
10	56866	Control Panel Frame
11	56863	Non-Mar Feet
12	56852-2	Cast Iron Burner
13	56878	Pilot With Retaining Plate
14	56857	Shut Off Stem Assembly
15	56852-3	Burner Assembly Base
16	56857-1	Burner Ignition Arm Release
17	56867	Burner Ignition Arm
18	56864-1	Pilot Ignition Arm
19	56864-2	Ignition Arm Shaft
20	56862-2	Burner Ignition Arm Limiter
21	56870	Piezo Ignition Assembly
22	56870-1	Ignition Lever Assembly
23	56865	#1 Start Button
24	56864	Red Pilot Warmer Button
25	56862	#2 Main Burner Button
26	56852-4	Air Shutter
27	56852-4S	Air Shutter Spring
28	56868	Main Burner Orifice-Natural Gas
28	56869	Main Burner Orifice-Prop. Gas
29	56860	On/Off Gas Valve
30	56861	Gas Valve Knob
31	56879	Pilot Orifice-Natural Gas
31	56880	Pilot Orifice-Propane Gas
32	56874-1	Ignition Line Retaining Plate
33	56872	Pilot Orifice Retaining Plate
34	56874	Pilot Ignition Line, Natural Gas
34	56873	Pilot Ignition Line, Propane Gas
35	56871-1	Ceramic Electrode Clamp
36	56870-2	Ceramic Electrode Holder
37	56871	Ceramic Electrode
38	56875	Manifold Assembly, Natural Gas
38	56876	Manifold Assembly, Propane Gas
39	56861-B	3/8" Gas Valve Connector