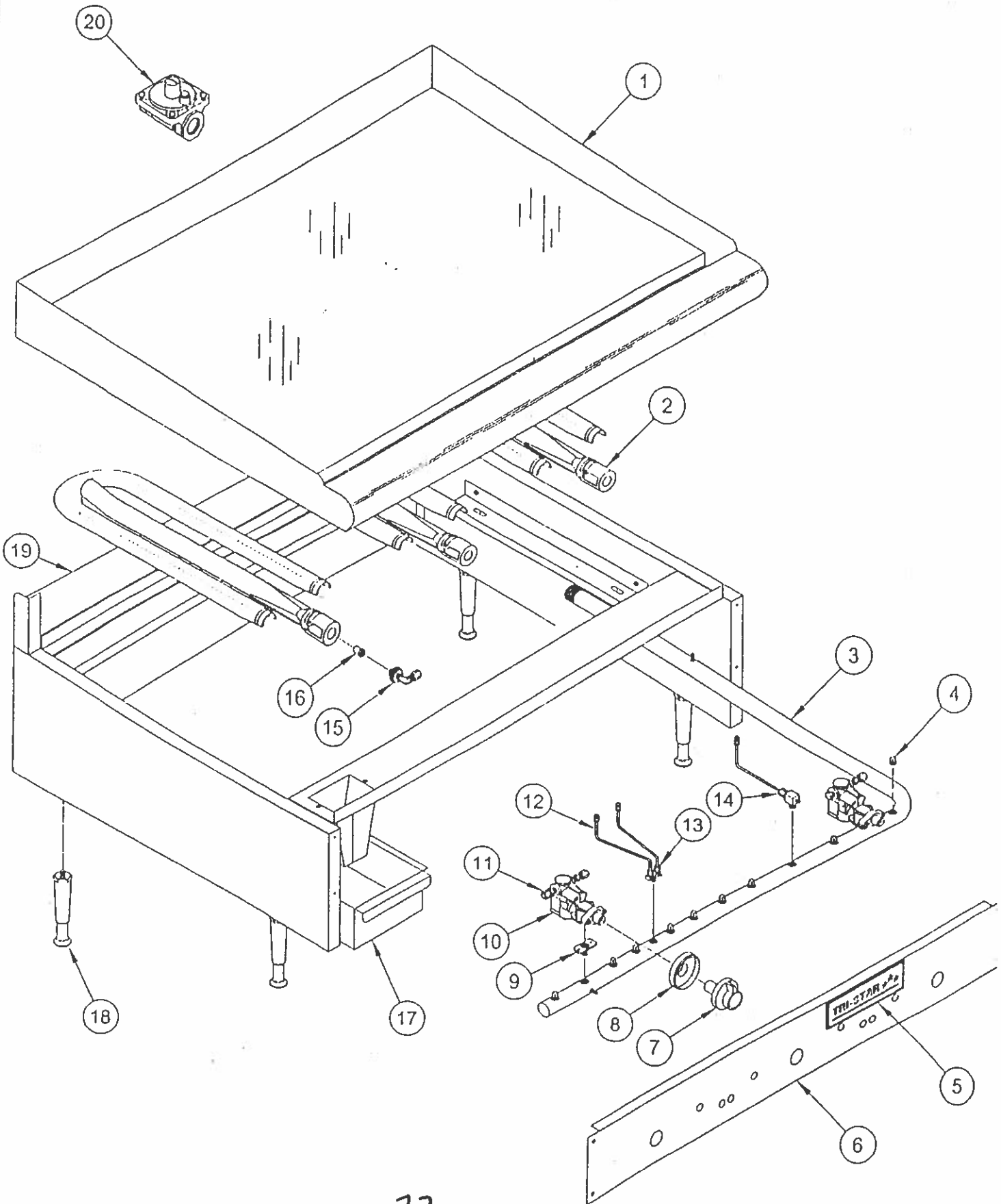


TSTG
TRI-STAR - THERMOSTAT CONTROL GRIDDLE



TSTG
TRI-STAR – THERMOSTAT CONTROL GRIDDLE

ITEM NO.	PART NO.	DESCRIPTION
1	TS-12000	24" GRIDDLE PLATE ASSY (1" THICK PLATE)
	TS-12001	36" GRIDDLE PLATE ASSY (1" THICK PLATE)
	TS-12002	48" GRIDDLE PLATE ASSY (1" THICK PLATE)
	TS-12003	60" GRIDDLE PLATE ASSY (1" THICK PLATE)
	TS-12004	72" GRIDDLE PLATE ASSY (1" THICK PLATE)
2	TS-1031	"U" BURNER
3	TS-2201	24" MANIFOLD PIPE
	TS-2203	36" MANIFOLD PIPE
	TS-2204	48" MANIFOLD PIPE
	TS-2205	60" MANIFOLD PIPE
	TS-2206	72" MANIFOLD PIPE
4	TS-1013	PLUG – 1/8 NPT
5	TS-1204	LOGO (TRI-STAR)
6	TS-12006	24" VALVE COVER
	TS-12007	36" VALVE COVER
	TS-12008	48" VALVE COVER
	TS-12009	60" VALVE COVER
	TS-12010	72" VALVE COVER
7	TS-1106	KNOB – THERMOSTAT
8	TS-1105	BEZEL – THERMOSTAT
9	TS-1104	THERMOSTAT FLANGE
10	TS-1100	THERMOSTAT
11	TS-1605	FITTING (STRAIGHT) – 1/4 NPT x 3/8 CC
12	TS-10000-14	PILOT TIP ASSY
13	TS-1608	DUAL PILOT VALVE – 1/8 NPT x 3/16 CC
	TS-1630	FERRULE – 3/16 CC
	TS-1636	COMPRESSION FITTING – 3/16 CC
14	TS-1609	PILOT VALVE - 1/8 NPT x 3/16 CC x 90°
15	TS-1604	ORIFICE FITTING (ELBOW)
16	TS-1700-39	ORIFICE HOOD - #39 (30,000 BTU - NAT)
	TS-1700-52	ORIFICE HOOD - #52 (30,000 BTU - PROP)
17	TS-12020	GREASE CAN (1 GAL)
18	TS-1010	LEG – COUNTER (4")
19	TS-12025	24" FLUE BACK CHANNEL
	TS-12026	36" FLUE BACK CHANNEL
	TS-12027	48" FLUE BACK CHANNEL
	TS-12028	60" FLUE BACK CHANNEL
	TS-12029	72" FLUE BACK CHANNEL
20	TS-1050	REGULATOR (NAT)
	TS-1051	REGULATOR (LP)