

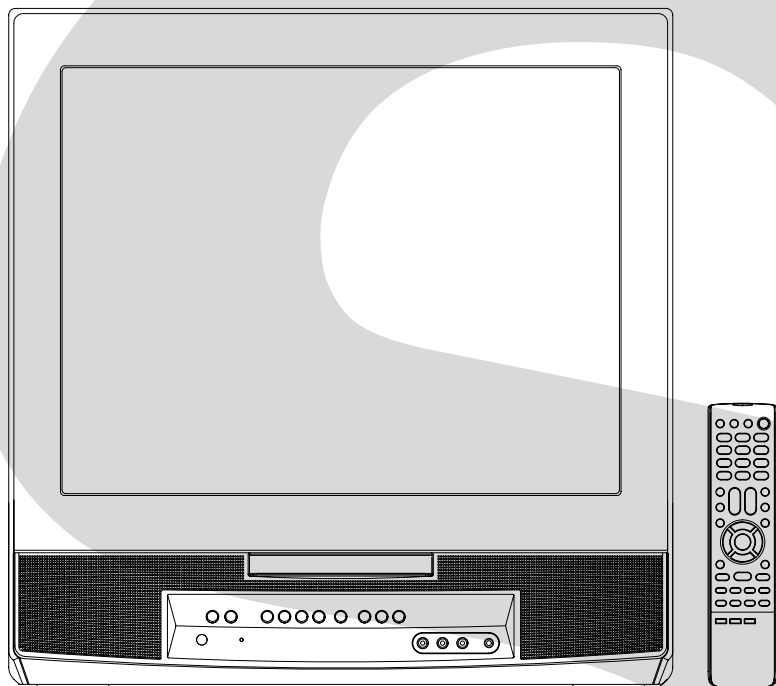
TOSHIBA

FILE NO. 140-200601GR
(MFR'S VERSION A)

PARTS AND DIAGRAMS

COLOR TELEVISION/ DVD VIDEO PLAYER

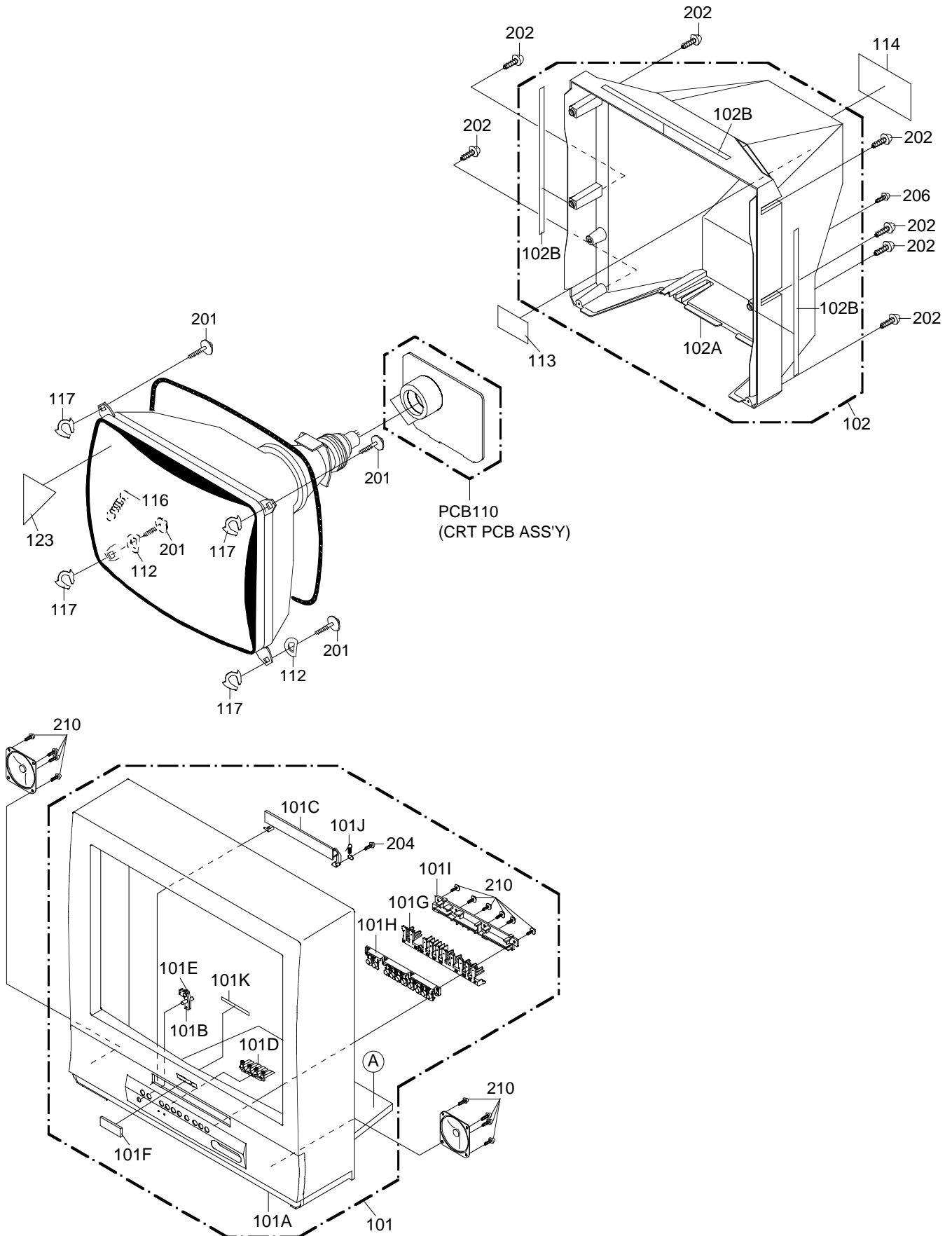
MD20Q42



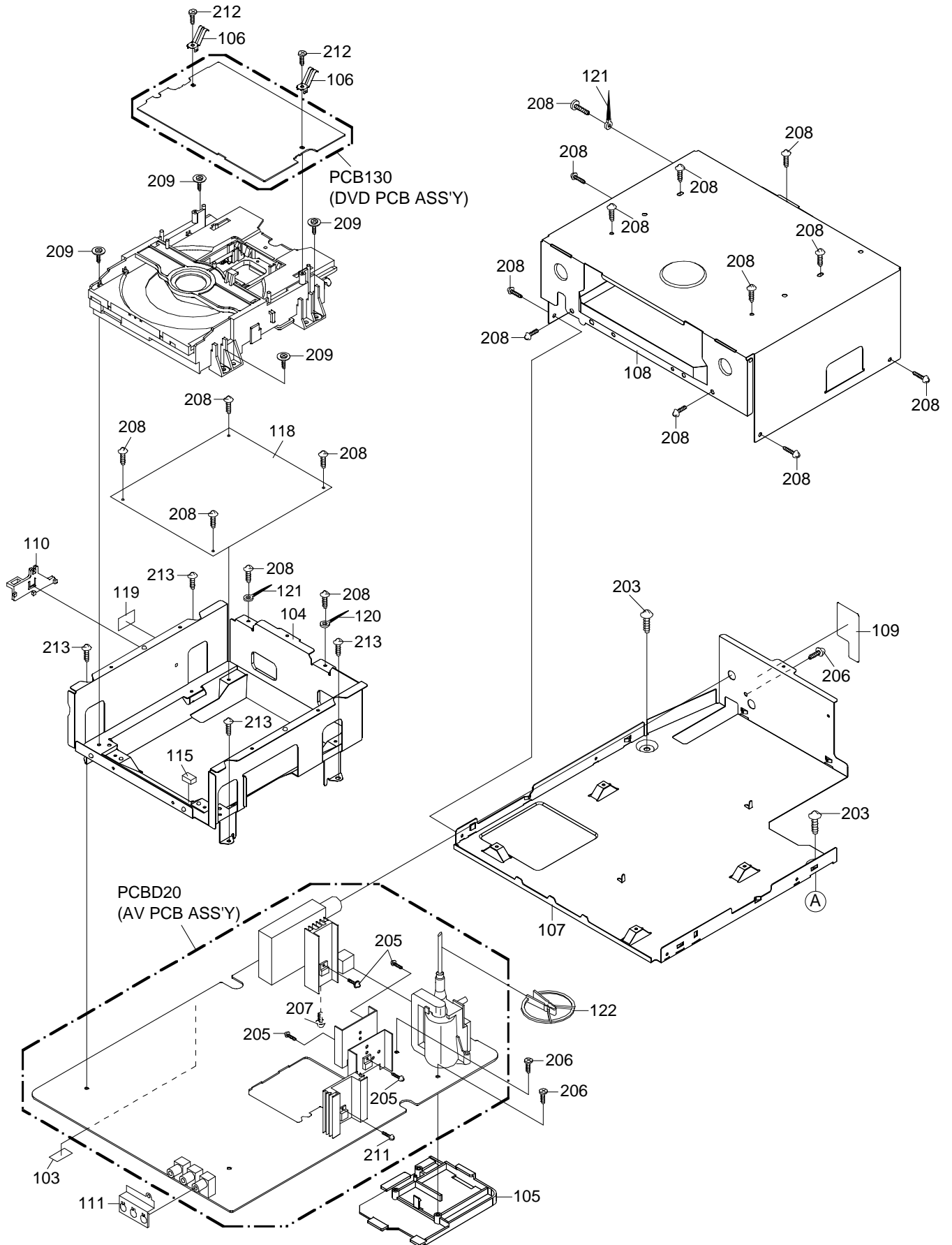
The above model is classified as a green product (*1), as indicated by the underlined serial number. This Service Manual describes replacement parts for the green product. When repairing this green product, use the part(s) described in this manual and lead-free solder (*2).

For (*1) and (*2), see the next page.

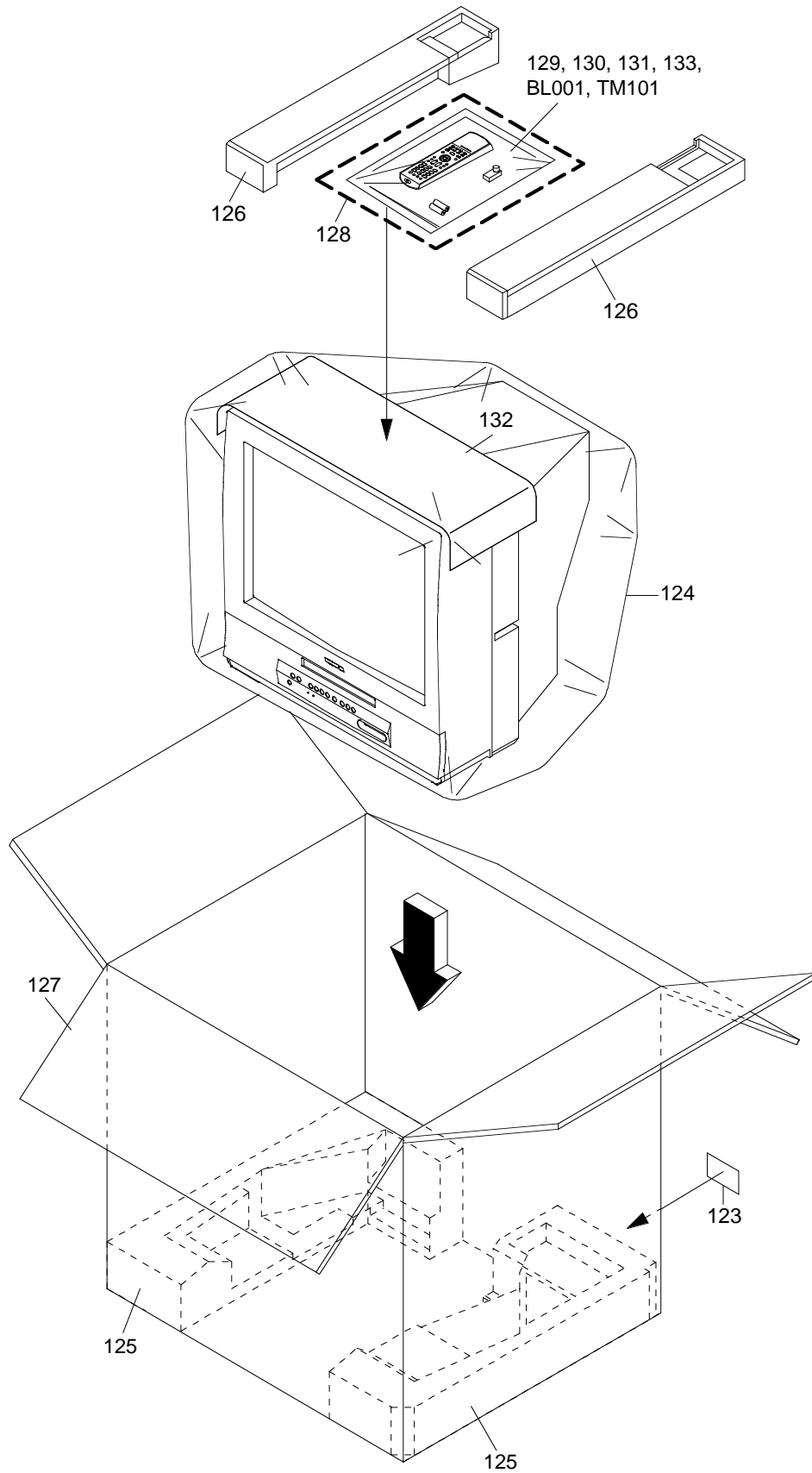
MECHANICAL EXPLODED VIEW



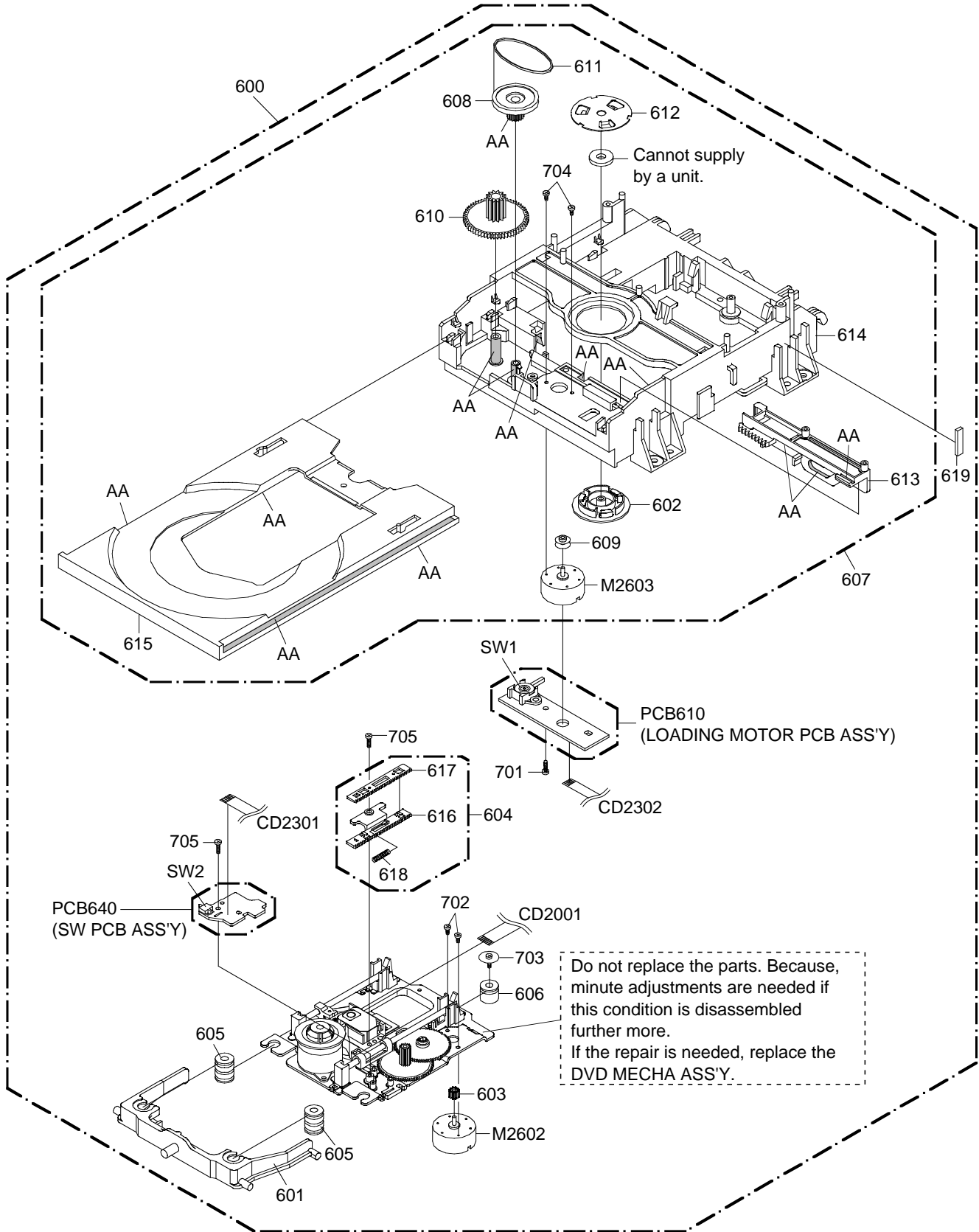
MECHANICAL EXPLODED VIEW



MECHANICAL EXPLODED VIEW (PACKING DIAGRAM)



DVD DECK EXPLODED VIEW



CLASS	MARK
GREASE	AA

NOTE: Applying positions AA for the grease are displayed for this section. Check if the correct grease is applied for each position.

MECHANICAL REPLACEMENT PARTS LIST

Location No.	TSB P/N	Reference No.	Description
101	72783199	7A701A597A	FRONT CABI ASS'Y
101A	72783184	701WPJD184	CABINET FRONT
101B	72783186	711WPAA134	PLATE FRONT
101C	72783187	712WPJC200	FLAP DVD
101D	72783188	713WPAA235	GLASS LED
101E	72783189	713WPAA236	GUIDE REMOCOM
101F	72783192	723549A054	BADGE BRAND
101G	72783195	735WPBB479	BUTTON PUSH
101H	72783194	735WPAA994	BUTTON FRAME
101I	72783196	738WPAA071	STOPPER BUTTON
101J	72798625	742WKA0001	SPRING DVD-FLAP
101K	72796103	800WQA052	FELT SHEET
102	72783200	7A702A192A	BACK CABI ASS'Y
102A	72783185	702WPAA948	CABINET BACK
102B	72798775	800WQA046	FELT SHEET
103	72799702	7250000595	SHEET PC
104	72799936	761WSA0155	ANGLE DECK
105	72798668	761WPA0249	HOLDER FBT
106	72798655	753WUA0069	SPRING EARTH
107	72799384	702WSAA128	PLATE BOTTOM
108	72799373	702WSA0213	SHIELD TOP
109	72798550	7230007593	SHEET JACK
110	72798688	774WPA0006	HOLDER WIRE
111	72798640	752WSA0333	SHIELD JACK
112	72796255	800WROA011	SHEET CRT SUPPORT (D)
113	72783193	726000A133	SHEET CRT SERVICEMAN
114	72783190	722549A558	SHEET RATING
115	72781978	8965TS1017	CUSHION 65TS10-10(17.5*20*14)
116	72795687	741WUA0021	SPRING EARTH
117	72799965	769WSAA011	WASHER CRT T=1
118	72799853	752WSA0488	SHIELD DECK
119	72783197	753WEA0033	SHEET CU
120	72795699	899EFBA002	WIRING-CLIP
121	72795680	8995034000	CORD CLIP UL CO.
122	72794734	899HV3T000	HOLDER ANODE WIRE
123	72783191	723000D219	SHEET BAR CODE
124	72795702	791WHAA114	FILM BAG
125	72798718	792WHA0525	PACKAGE BOTTOM
126	72798717	792WHA0524	PACKAGE TOP
127	72783198	793WCDD046	GIFT BOX
128	72783208	A5X304V975	INSTRUCTION BOOK KIT
129	72781635	JB5ND300	POLYBAG INSTRUCTION(REDAUTION)
130	72781569	J3N51617A	REGISTRATION CARD
131	72781605	J5S10229A	INFORMATION SHEET(USA)
132	72795703	791WHAA134	LIGHTRON SHEET
133	72783222	J5X30401A	INSTRUCTION BOOK
201	72781287	8141J50C5U	SCREW TAP TITE(P) GW22 5*35 CH HEXAGON
202	72781279	8117540A6U	SCREW TAP TITE(B0) TRUSS 4*16 CH
203	72798794	811754080U	SCREW TAP TITE(B0) TRUSS 4*8 CH
204	72798793	8110E3080U	SCREW TAP TITE(P) WH10 3*8 CH
205	72781255	8109I3080U	SCREW TAP TITE(B) WH7 3*8 CH
206	72798787	810923080U	SCREW TAP TITE(B) BIND 3*8 CH
207	72781251	810963080Q	SCREW TAP TITE(B) BRAZIER 3*8 STAINLESS
208	72781247	810923060U	SCREW TAP TITE(B) BIND 3*6 CH
209	72781263	810F13080U	SEMS(F) 3*8 CH
210	72798791	8110630A0U	SCREW TAP TITE(P) BRAZIER 3*10 CH
211	72798786	810763080U	SCREW TAP TITE(S) BRAZIER 3*8 CH
212	72795782	811022680U	SCREW TAP TITE(P) BIND 2.6*8 CH
213	72781248	810923070U	SCREW TAP TITE(B) R BIND 3*7 CH

DVD DECK REPLACEMENT PARTS LIST

Location No.	TSB P/N	Reference No.	Description
△600	72783201	A2I301H650	DVD MECHA ASS'Y A2I301H650
601	72795767	92P100109A	HOLDER, TRAVERSE
602	72795768	92P100094A	CLAMPER
603	72795769	92P100088A	GEAR, MOTOR
604	72798813	92AAA0013A	FEED RACK ASS'Y
605	72795771	92P200013A	INSULATOR(F)
606	72795772	92P200014A	INSULATOR(R)
607	72781331	92SBB0029A	LOADER SUB ASS'Y
608	72795774	92P100095A	GEAR, PULLEY
609	72795775	92P100097A	PULLEY, MOTOR
610	72795776	92P100096A	GEAR, MAIN
611	72795777	92P200012A	BELT, LOADING
612	72795778	92P000014A	PLATE, CLAMPER
613	72795779	92P100093A	RACK, LOADING
614	72795780	92P100091A	FRAME, MAIN
615	72798838	92P100092A	TRAY
616	72798836	92P100089A	RACK, FEED 1
617	72798837	92P100090A	RACK, FEED 2
618	72798849	92P300020A	SPRING, RACK FEED
619	72795888	800WFAA008	CUSHION C
701	72795782	811022680U	SCREW TAP TITE(P) BIND 2.6*8 CH
702	72795783	814011723U	SCREW, PAN M1.7*2.3 P3 CH
703	72795784	816112080U	SEMS. TAP TITE(P) PAN W10 2*8 CH
704	72795785	814011730U	SCREW, PAN M1.7*3 P3 CH
705	72796070	811022080U	SCREW, TAP TITE(P) BIND 2*8 CH
CD2001	72783183	122J4O1903	CORD JUMPER 127000-2928
CD2301	72795869	122H062102	CORD JUMPER 2H062102
CD2302	72795870	122H052601	CORD JUMPER 2H052601
SW1	72796050	0515S32002	SWITCH SSS-13-2
△M2602	72795947	1515S98003	FEED MOTOR BCZ3B03B
△M2603	72795948	1596S18003	MOTOR, LOADING BCZ3B52B
PCB610	72783202	A5M4016610	PCB ASS'Y DED003A
PCB640	72783203	A5N813W640	PCB ASS'Y DED002B
SW2	72796052	0500101037	PUSH SWITCH ESE22MH24

ELECTRICAL REPLACEMENT PARTS LIST

Location No.	TSB P/N	Reference No.	Description	
RESISTORS				
R117	72796038	R002T4105J	RC	1M OHM 1/4W
△R310	72797922	R3X28B2R2J	R,METAL OXIDE	2.2 OHM 3W
△R401	72781694	R3K58A331J	R,METAL OXIDE	330 OHM 2W
△R402	72781693	R3K58A221J	R,METAL OXIDE	220 OHM 2W
△R408	72781714	R3X28A1R8J	R,METAL OXIDE	1.8 OHM 2W
△R418	72794682	R002T22R7J	RC	2.7 OHM 1/2W
△R429	72795519	R65581010J	R,FUSE	1 OHM 1W
△R431	72795519	R65581010J	R,FUSE	1 OHM 1W
△R444	72795514	R4X5T6562F	R,METAL	5.6K OHM 1/6W
△R445	72783223	R4K1T4393F	R,METAL	39K OHM 1/4W
△R447	72798046	R655U2101J	R,FUSE	100 OHM 1/2W
△R450	72797923	R3X28B2R7J	R,METAL OXIDE	2.7 OHM 3W
△R803	72796459	R3X18A153J	R,METAL OXIDE	15K OHM 2W
△R805	72796459	R3X18A153J	R,METAL OXIDE	15K OHM 2W
△R807	72796459	R3X18A153J	R,METAL OXIDE	15K OHM 2W
△R3005	72797916	R3X28B1R2J	R,METAL OXIDE	1.2 OHM 3W
△R3800	72795997	R4X5T6272F	R,METAL	2.7K OHM 1/6W
△R3803	72795500	R002T2155J	RC	1.5M OHM 1/2W
△R3806	72794631	R0G3K2275K	RC	2.7M OHM 1/2W
△R3812	72795109	R002T2331J	RC	330 OHM 1/2W
△R3817	72797971	R5X2CD010J	R,CEMENT	1 OHM 5W
△R3819	72794621	R3X28B010J	R,METAL OXIDE	1 OHM 3W
△R3821	72795995	R3X181R27J	R,METAL OXIDE	0.27 OHM 1W
△R3828	72794633	R63881R22J	R,FUSE	0.22 OHM 1W
△R3829	72794684	R002T4101J	RC	100 OHM 1/4W
CAPACITORS				
△C357	72795574	E02LF3222M	CE	2200 UF 25V
△C402	72794396	E02LU8220M	CE	22 UF 100V
△C407	72795574	E02LF3222M	CE	2200 UF 25V
△C421	72797489	E5EZT4471M	CE	470 UF 35V
C423	72795104	P4J7F3474J	CMPP	0.47 UF 250V PMS
△C428	72781648	P4G8FJ682H	CMPP	0.0068UF 1.25KV PHE
△C431	72795570	E0ELFD220M	CE	22 UF 250V
C802	72795578	C0JBB0713K	CC	0.001 UF 2KV B
C3002	72797374	E02LF1222M	CE	2200 UF 10V
C3010	72797374	E02LF1222M	CE	2200 UF 10V
C3011	72797374	E02LF1222M	CE	2200 UF 10V
△C3801	72794401	P2122B334M	CMP	0.33 UF 275V ECQUL
△C3810	72795629	C0JTB0513K	CC	0.001 UF 500V B
C3811	72795581	C0PLRR7E3K	CC	0.0015 UF 2KV R
△C3812	72795629	C0JTB0513K	CC	0.001 UF 500V B
△C3815	72795573	E51CGC471M	CE	470 UF 200V
△C3816	72795579	CD39E0MQ3M	CC	0.0047UF 250V
△C3818	72794381	E5EZF3222M	CE	2200 UF 25V
△C3820	72794400	E02LU5100M	CE	10 UF 50V
△C3822	72797483	E5EZT2102M	CE	1000 UF 16V
△C3823	72794410	E5EZF3102M	CE	1000 UF 25V
C3824	72794399	C0PLRR713K	CC	0.001 UF 2KV R
△C3826	72794411	E62NFC221M	CE	220 UF 200V
△C3827	72794381	E5EZF3222M	CE	2200 UF 25V
DIODES				
D101	72794491	D1VT001330	DIODE,SILICON	1SS133T-77
D102	72783214	D9WU05R62B	DIODE,ZENER	MTZJ5.6B-EIC
D105	72794491	D1VT001330	DIODE,SILICON	1SS133T-77
D106	72794491	D1VT001330	DIODE,SILICON	1SS133T-77
D109	72794491	D1VT001330	DIODE,SILICON	1SS133T-77
D110	72794491	D1VT001330	DIODE,SILICON	1SS133T-77
D111	72794491	D1VT001330	DIODE,SILICON	1SS133T-77
D401	72783209	D2MXN40020	DIODE,FAST RECOVERY	1N4002-PAN
△D402	72795543	D2MXN49370	DIODE,FAST RECOVERY	1N4937-PAN
D403	72781366	D9WU03302B	DIODE,ZENER	MTZJ33B-EIC
D404	72781366	D9WU03302B	DIODE,ZENER	MTZJ33B-EIC
D405	72783209	D2MXN40020	DIODE,FAST RECOVERY	1N4002-PAN
D406	72783209	D2MXN40020	DIODE,FAST RECOVERY	1N4002-PAN
D407	72794491	D1VT001330	DIODE,SILICON	1SS133T-77
D408	72781366	D9WU03302B	DIODE,ZENER	MTZJ33B-EIC
△D409	72794491	D1VT001330	DIODE,SILICON	1SS133T-77
D410	72781369	D9WU06R82B	DIODE,ZENER	MTZJ6.8B-EIC
△D411	72795543	D2MXN49370	DIODE,FAST RECOVERY	1N4937-PAN
△D413	72795543	D2MXN49370	DIODE,FAST RECOVERY	1N4937-PAN
△D416	72781368	D9WU05R12B	DIODE,ZENER	MTZJ5.1B-EIC
D601	72795626	D2WXN40050	DIODE,SILICON	1N4005-EIC
D602	72794491	D1VT001330	DIODE,SILICON	1SS133T-77
D603	72794491	D1VT001330	DIODE,SILICON	1SS133T-77
D605	72794491	D1VT001330	DIODE,SILICON	1SS133T-77

ELECTRICAL REPLACEMENT PARTS LIST

Location No.	TSB P/N	Reference No.	Description	
DIODES				
D804	72794491	D1VT001330	DIODE,SILICON	1SS133T-77
D805	72794491	D1VT001330	DIODE,SILICON	1SS133T-77
D806	72794491	D1VT001330	DIODE,SILICON	1SS133T-77
D2201	72796482	0021E2Q140	LED	LTL-1CHEE-002A
D2303	72795897	DD7R0S3550	DIODE,SILICON	1SS355 TE-17
D2304	72795897	DD7R0S3550	DIODE,SILICON	1SS355 TE-17
D3001	72783209	D2MXN40020	DIODE,FAST RECOVERY	1N4002-PAN
D3002	72783210	D9WU01002B	DIODE,ZENER	MTZJ10B-EIC
D3003	72783214	D9WU05R62B	DIODE,ZENER	MTZJ5.6B-EIC
D3004	72783209	D2MXN40020	DIODE,FAST RECOVERY	1N4002-PAN
D3005	72794480	D28T21DQN9	DIODE,SCHOTTKY	21DQ09N-TA2B1
D3006	72794488	D2WT011E10	DIODE,SILICON	11E1-EIC
D3801	72783214	D9WU05R62B	DIODE,ZENER	MTZJ5.6B-EIC
D3802	72794491	D1VT001330	DIODE,SILICON	1SS133T-77
D3803	72794491	D1VT001330	DIODE,SILICON	1SS133T-77
D3804	72783211	D9WU01802B	DIODE,ZENER	MTZJ18B-EIC
D3806	72794491	D1VT001330	DIODE,SILICON	1SS133T-77
D3807	72795543	D2MXN49370	DIODE,FAST RECOVERY	1N4937-PAN
△D3808	72794473	D2WTRM11C0	DIODE,SILICON	RM11C-EIC
△D3809	72794473	D2WTRM11C0	DIODE,SILICON	RM11C-EIC
△D3810	72783211	D9WU01802B	DIODE,ZENER	MTZJ18B-EIC
D3811	72794491	D1VT001330	DIODE,SILICON	1SS133T-77
D3812	72794491	D1VT001330	DIODE,SILICON	1SS133T-77
D3814	72797336	D97U03R61B	DIODE,ZENER	MTZJ3.6B T-77
△D3815	72794473	D2WTRM11C0	DIODE,SILICON	RM11C-EIC
△D3816	72794473	D2WTRM11C0	DIODE,SILICON	RM11C-EIC
△D3817	72794480	D28T21DQN9	DIODE,SCHOTTKY	21DQ09N-TA2B1
△D3818	72795543	D2MXN49370	DIODE,FAST RECOVERY	1N4937-PAN
△D3819	72794480	D28T21DQN9	DIODE,SCHOTTKY	21DQ09N-TA2B1
△D3820	72794480	D28T21DQN9	DIODE,SCHOTTKY	21DQ09N-TA2B1
△D3821	72795545	D2WXRJ2AM0	DIODE,SILICON	RU2AM-EIC
D3822	72794491	D1VT001330	DIODE,SILICON	1SS133T-77
△D3823	72794474	D28F0PRA60	DIODE,RECTIFIER	30PRA60-FC
△D3824	72794480	D28T21DQN9	DIODE,SCHOTTKY	21DQ09N-TA2B1
D3825	72781364	D9WU01202B	DIODE,ZENER	MTZJ12B-EIC
D3826	72794491	D1VT001330	DIODE,SILICON	1SS133T-77
D3827	72794491	D1VT001330	DIODE,SILICON	1SS133T-77
D3828	72783212	D9WU02R22B	DIODE,ZENER	MTZJ2.2B-EIC
D3829	72795543	D2MXN49370	DIODE,FAST RECOVERY	1N4937-PAN
D3831	72783213	D9WU03R92B	DIODE,ZENER	MTZJ3.9B-EIC
D4002	72795897	DD7R0S3550	DIODE,SILICON	1SS355 TE-17
D4003	72795897	DD7R0S3550	DIODE,SILICON	1SS355 TE-17
D4004	72795897	DD7R0S3550	DIODE,SILICON	1SS355 TE-17
D4005	72795897	DD7R0S3550	DIODE,SILICON	1SS355 TE-17
D4006	72795897	DD7R0S3550	DIODE,SILICON	1SS355 TE-17
D4007	72795897	DD7R0S3550	DIODE,SILICON	1SS355 TE-17
D8111	72795897	DD7R0S3550	DIODE,SILICON	1SS355 TE-17
D8112	72795897	DD7R0S3550	DIODE,SILICON	1SS355 TE-17
ICS				
IC101	72783219	I55F06087A	IC	OEC6087A
IC103	72796084	I9UF032310	IC	PST3231NR
IC199	72783207	A5W1014D25	INIT DATA	AT24C04N-10SU-2.7
△IC352	72783215	I01DP75130	IC	AN7513
△IC353	72783215	I01DP75130	IC	AN7513
△IC401	72795534	I03TD804N0	IC	LA78040N-E
IC601	72783217	I06FC12770	IC	M61277FP-DF0H
△IC2301	72783216	I03FV65650	IC	LA6565VR-TLM-E
△IC3001	72783218	I07F90WTP0	IC	BA00BCOWT-V5
△IC3002	72795906	I1KA78R050	IC	KIA278R05PI
△IC3800	72794512	000220002W	PHOTO COUPLER	PS2561AL1-1-V(W)
IC4001	72783220	ICQK068621	IC	ZR36862PQCG-B
△IC4003	72795912	I07F9E00W0	IC	BA33E00WHFP-TR
IC4007	72783224	S5W1013F01	MEMORY DATA	SST39VF1601-70-4C-EKE
IC4009	72783221	IF9J0161A7	IC	M12L16161A-7TG
IC8102	72795922	I17F017530	IC	PCM1753DBQR
TRANSISTORS				
Q101	72794571	TCAA3875SY	TRANSISTOR,SILICON	KTC3875S_Y_RTK
Q104	72794566	TAAA1504SY	TRANSISTOR,SILICON	KTA1504S_Y_RTK
△Q401	72794569	TA3T016240	TRANSISTOR,SILICON	2SA1624-AA
Q402	72795474	TC3T02090	TRANSISTOR,SILICON	2SC2909(S,T)-AA
△Q403	72795475	TA3T1371A0	TRANSISTOR,SILICON	2SA1371(D,E)-AE
△Q405	72794561	TCAT03227Y	TRANSISTOR,SILICON	KTC3227_Y-AT
△Q406	72782813	TC1G058850	TRANSISTOR,SILICON	2SC5885
Q601	72794571	TCAA3875SY	TRANSISTOR,SILICON	KTC3875S_Y_RTK
Q602	72794571	TCAA3875SY	TRANSISTOR,SILICON	KTC3875S_Y_RTK

ELECTRICAL REPLACEMENT PARTS LIST

Location No.	TSB P/N	Reference No.	Description	
TRANSISTORS				
Q605	72795963	TPAAB05001	COMPOUND TRANSISTOR	KRA102SRTK
▲Q804	72795971	TC3F042170	TRANSISTOR,SILICON	2SC4217(D,E)-RAC
▲Q805	72795971	TC3F042170	TRANSISTOR,SILICON	2SC4217(D,E)-RAC
▲Q806	72795971	TC3F042170	TRANSISTOR,SILICON	2SC4217(D,E)-RAC
Q2201	72794567	TNAAC05002	COMPOUND TRANSISTOR	KRC103SRTK
Q2301	72795964	T67J1036K0	TRANSISTOR,SILICON	2SA1036KT146
Q2302	72795965	T67J048TL0	TRANSISTOR,SILICON	2SA2048TL
Q2303	72794571	TCAA3875SY	TRANSISTOR,SILICON	KTC3875S_Y_RTK
Q2304	72794571	TCAA3875SY	TRANSISTOR,SILICON	KTC3875S_Y_RTK
Q2305	72794571	TCAA3875SY	TRANSISTOR,SILICON	KTC3875S_Y_RTK
▲Q3001	72796092	TAAT01281Y	TRANSISTOR,SILICON	KTA1281_Y
▲Q3002	72796092	TAAT01281Y	TRANSISTOR,SILICON	KTA1281_Y
Q3003	72795962	TNAAB05003	COMPOUND TRANSISTOR	KRC102SRTK
▲Q3005	72794570	TCAT03209Y	TRANSISTOR,SILICON	KTC3209_Y-AT
Q3007	72795962	TNAAB05003	COMPOUND TRANSISTOR	KRC102SRTK
▲Q3008	72795476	TCAT032034	TRANSISTOR,SILICON	KTC3203_Y-AT
Q3800	72794577	TCATC31980	TRANSISTOR,SILICON	KTC3198-AT(Y,GR)
▲Q3802	72795476	TCAT032034	TRANSISTOR,SILICON	KTC3203_Y-AT
▲Q3803	72795539	T25F035630	FET	2SK3563(ORION_Q)
Q3804	72794559	TNYJD05001	COMPOUND TRANSISTOR	DTC144EKAT146
Q4201	72794571	TCAA3875SY	TRANSISTOR,SILICON	KTC3875S_Y_RTK
Q4202	72795966	TPYJA05001	COMPOUND TRANSISTOR	DTA143EKAT146
Q4203	72794571	TCAA3875SY	TRANSISTOR,SILICON	KTC3875S_Y_RTK
Q4204	72794571	TCAA3875SY	TRANSISTOR,SILICON	KTC3875S_Y_RTK
Q4205	72794558	TNAAD05001	COMPOUND TRANSISTOR	KRC104SRTK
Q4206	72794567	TNAAC05002	COMPOUND TRANSISTOR	KRC103SRTK
COILS & TRANSFORMERS				
L001	72796407	02167D101K	COIL	100 UH
L101	72796582	021LA6560K	COIL	56 UH
L401	72794527	021679472K	COIL	4.7 MH
L601	72794540	02167F101J	COIL	100 UH
L603	72794540	02167F101J	COIL	100 UH
L604	72796087	02167E100K	COIL	10 UH
▲L3800	72796616	028R200026	COIL,DEGAUSS	8R200026
L3801	72798947	029X000126	COIL,LINE FILTER	SS26V-R120220
L4001	72795936	02167F2R2J	COIL	2.2 UH
L4002	72796088	02AHB9A972	CORE,FERRITE	W5T29X7.5X19
L4202	72794540	02167F101J	COIL	100 UH
L8102	72795943	02167F1R0K	COIL	1 UH
L8103	72795943	02167F1R0K	COIL	1 UH
T401	72796466	045011001L	TRANS,HORIZONTAL DRIVE	STP-03Q24
▲T3800	72796693	0481300034	TRANSFORMER,SWITCHING	81300034
JACKS				
▲J801	72795490	066F130020	SOCKET,CATHODE RAY,TUBE	ISHS53S
▲J2201	72794516	060J131016	HEADPHONE JACK	MSJ-2000_AG
J2202	72795924	060J421036	RCA JACK	MTJ-032-05A-30-FE
J2203	72795925	060J421037	RCA JACK	MTJ-032-05A-32-FE
J2204	72795926	060J421030	RCA JACK	MTJ-032-05A-31-FE
J4201	72796734	060J401102	RCA JACK	MSP-251V-05NI-FE-LF
SWITCHES				
SW2213	72794688	0504101T34	SWITCH,TACT	EVQ21505R
SW2214	72794688	0504101T34	SWITCH,TACT	EVQ21505R
SW2215	72794688	0504101T34	SWITCH,TACT	EVQ21505R
SW2216	72794688	0504101T34	SWITCH,TACT	EVQ21505R
SW2217	72794688	0504101T34	SWITCH,TACT	EVQ21505R
SW2218	72794688	0504101T34	SWITCH,TACT	EVQ21505R
SW2219	72794688	0504101T34	SWITCH,TACT	EVQ21505R
SW2220	72794688	0504101T34	SWITCH,TACT	EVQ21505R
SW2221	72794688	0504101T34	SWITCH,TACT	EVQ21505R
SW2223	72794688	0504101T34	SWITCH,TACT	EVQ21505R
VARIABLE RESISTORS				
VR402	72795471	V1K63H3BTE	VOLUME,SEMI FIXED	NVG6TLTAB222
VR3800	72796061	V1K63Q2BTE	VOLUME,SEMI FIXED	NVG6TLTAB471
P.C. BOARD ASSEMBLIES				
PCB110	72783204	A5W1014110L	PCB ASSY	CCE062A
PCB130	72783205	A5W1014130L	PCB ASSY	DME060A
PCBD20	72783206	A5W1014D20L	PCB ASSY	CME066A
MISCELLANEOUS				
B2301	72795787	0246C51024	CORE,BEADS	MMZ1608R102CT
B2302	72795787	0246C51024	CORE,BEADS	MMZ1608R102CT
B2303	72795787	0246C51024	CORE,BEADS	MMZ1608R102CT
B2304	72795787	0246C51024	CORE,BEADS	MMZ1608R102CT
B2305	72795787	0246C51024	CORE,BEADS	MMZ1608R102CT
B3800	72794355	024HT03563	CORE,BEADS	W4BRH3.5X6X1.0X2
B4001	72795787	0246C51024	CORE,BEADS	MMZ1608R102CT

ELECTRICAL REPLACEMENT PARTS LIST

Location No.	TSB P/N	Reference No.	Description	
MISCELLANEOUS				
B4002	72795787	0246C51024	CORE,BEADS	MMZ1608R102CT
B4003	72795787	0246C51024	CORE,BEADS	MMZ1608R102CT
B4005	72795787	0246C51024	CORE,BEADS	MMZ1608R102CT
B4006	72795787	0246C51024	CORE,BEADS	MMZ1608R102CT
B4007	72795787	0246C51024	CORE,BEADS	MMZ1608R102CT
B4008	72795787	0246C51024	CORE,BEADS	MMZ1608R102CT
B4009	72795787	0246C51024	CORE,BEADS	MMZ1608R102CT
B4010	72795787	0246C51024	CORE,BEADS	MMZ1608R102CT
B4011	72795787	0246C51024	CORE,BEADS	MMZ1608R102CT
B4012	72795787	0246C51024	CORE,BEADS	MMZ1608R102CT
B4013	72795787	0246C51024	CORE,BEADS	MMZ1608R102CT
B4014	72795787	0246C51024	CORE,BEADS	MMZ1608R102CT
B4016	72795787	0246C51024	CORE,BEADS	MMZ1608R102CT
B4018	72795787	0246C51024	CORE,BEADS	MMZ1608R102CT
B4201	72794357	024HT03553	CORE,BEADS	W5RH3.5X5X1.0
B8103	72795787	0246C51024	CORE,BEADS	MMZ1608R102CT
BL001	72782870	023C00022A	COIL,BALUN	HPN-01
BT001	72783174	141U004016	BATTERY,MANGAN	MNAAA(R03)
BT002	72783174	141U004016	BATTERY,MANGAN	MNAAA(R03)
CD301	72796874	06CU12414A	CORD,CONNECTOR	CU12414A
CD302	72796874	06CU12414A	CORD,CONNECTOR	CU12414A
CD801	72796912	06CU823001	CORD,CONNECTOR	CU823001
CD802	72798419	WDL6042038	FLAT CABLE	AWM2468 AWG26 6C BLACK 420MM
CD803	72798397	WBL6034038	FLAT CABLE	AWM2468 AWG26 4C BLACK 340MM
CP101	72796804	069S290629	CONNECTOR PCB SIDE	A2001WV2-9P
CP301	72799049	069W120459	CONNECTOR PCB SIDE	213213102W1
CP302	72799049	069W120459	CONNECTOR PCB SIDE	213213102W1
△CP401	72796822	069S450089	CONNECTOR PCB SIDE	A1561WV2-A5P
CP805	72796816	069S320010	CONNECTOR PCB SIDE	A2361WV2-2P
△CD3800	72795554	1209414909	CORD,AC BUSH	9414909
CD4002	72783178	06CU2D2202	CORD,CONNECTOR	CU2D2202
CD8101	72797046	122F0C1602	CORD,JUMPER	2F0C1602
CP2301	72783177	069KYOT159	CONNECTOR PCB SIDE	LD07T2-24ND-03
CP2302	72799012	069EV53030	CONNECTOR PCB SIDE	00_6232_005_006_800+
CP2303	72799013	069EV63030	CONNECTOR PCB SIDE	00_6232_006_006_800+
△CP3800	72796821	069S420110	CONNECTOR PCB SIDE	A1561WV2-2P
CP8001	72796810	069S2D0629	CONNECTOR PCB SIDE	A2001WV2-13P
CP8002	72796776	069J7C0599	CONNECTOR PCB SIDE	IMSA-9604S-12C
CP802A	72796752	067U006049	WIRE HOLDER	B2013H02-6P
CP802B	72796752	067U006049	WIRE HOLDER	B2013H02-6P
CP803A	72796750	067U004029	WIRE HOLDER	B2013H02-4P
CP803B	72796750	067U004029	WIRE HOLDER	B2013H02-4P
CP8101	72799040	069J7C0589	CONNECTOR PCB SIDE	IMSA-9604S-12F
ELD201	72797069	124116281A	EYE LET	XRY16X28BD
ELD202	72797070	124120301A	EYE LET	XRY20X30BD
△F3800	72794493	081PC6R305	FUSE	51MS063L
△FB401	72783176	043219024Y	TRANSFORMER,FLYBACK	BSC23-N0168
FH3800	72794496	06710T0009	HOLDER,FUSE	EYF-52BCY
FH3801	72794496	06710T0009	HOLDER,FUSE	EYF-52BCY
OS2202	72783180	077A031002	REMOTE RECEIVER	ROM-N3138SR
△SP351	72799171	070Y033004	SPEAKER	S08F52
△SP352	72799171	070Y033004	SPEAKER	S08F52
TM101	72783179	076D0MG010	TRANSMITTER	ORT204N7405860-Z
△TU001	72783175	0163300020	RF UNIT	115-V-KA35ARE
△TH3800	72797351	DF20C3R0Q0	DEGAUSS ELEMENT	PTDCA1BF3R0Q100
△V801	72783181	098Q210447	CRT W/DY	A51AEZ90X23
X101	72796990	1002T01606	CERAMIC OSCILLATOR	CSTLS16M0X53-A0
X602	72794704	100DT3R531	CRYSTAL	HC-49/U
X4001	72783182	100GT02720	CRYSTAL	B27000C005

RESISTOR

RC..... CARBON RESISTOR

CAPACITORS

CC..... CERAMIC CAPACITOR
 CE..... ALUMI ELECTROLYTIC CAPACITOR
 CP..... POLYESTER CAPACITOR
 CPP..... POLYPROPYLENE CAPACITOR
 CPL..... PLASTIC CAPACITOR
 CMP..... METAL POLYESTER CAPACITOR
 CMPL..... METAL PLASTIC CAPACITOR
 CMPP..... METAL POLYPROPYLENE CAPACITOR

TOSHIBA CORPORATION

1-1, SHIBAURA 1-CHOME, MINATO-KU, TOKYO 105-8001, JAPAN