

TOSHIBA

FILE NO. 023-200518
SUPPLEMENT

SERVICE MANUAL

Projection Television

46HM95 **52HM95**

Read First

SUMMARY

46HM95/52HM95 is the same as 62HM95 except for the parts tabled on back of this sheet.

Use this service manual together with the service manual of 62HM95 (File No. 020-200510).

Service Manual 62HM95 is attached.

TOSHIBA CORPORATION
1-1, SHIBAURA 1-CHOME, MINATO-KU, TOKYO 105-8001, JAPAN

Service Manual 62HM95 begin here.



TOSHIBA

FILE NO. 020-200510
REVISION 2

SERVICE MANUAL

Projection Television

62HM95

TABLE OF CONTENTS

SAFETY INSTRUCTIONS	3
SERVICE MODE	4
SETTING & ADJUSTING DATA	9
LAMP UNIT REPLACEMENT	10
LIGHT ENGINE REPLACEMENT	13
PARTS REPLACEMENT IN LIGHT ENGINE	15
EXPLODED VIEW	17
MECHANICAL DISASSEMBLY	18
CHASSIS REPLACEMENT PARTS LIST	19
PC BOARDS TOP AND BOTTOM VIEW	28
TERMINAL VIEW OF TRANSISTORS	48
CIRCUIT BLOCK DIAGRAM	53
APPENDIX:	
CIRCUIT DIAGRAM	

SAFETY INSTRUCTIONS

SAFETY PRECAUTION

WARNING: Service should not be attempted by anyone unfamiliar with the necessary precautions on this receiver. The following are the necessary precautions to be observed before servicing this chassis.

1. An isolation transformer should be connected in the power line between the receiver and the AC line before any service is performed on the receiver.
2. When replacing a chassis in the cabinet, always be certain that all the prospective devices are put back in place, such as; non-metallic control knobs, insulating covers, shields, isolation resistor-capacitor network etc.

PRODUCT SAFETY NOTICE

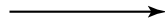
Many electrical and mechanical parts in this chassis have special safety-related characteristics. These characteristics are often passed unnoticed by a visual inspection and the protection afforded by them cannot necessarily be obtained by using replacement components rated for higher voltage, wattage, etc. Replacement parts which have these special safety characteristics are identified in this manual and its supplements; electrical components having such features are identified by the international hazard symbols on the schematic diagram and the parts list.

Before replacing any of these components, read the parts list in this manual carefully. The use of substitute replacement parts which do not have the same safety characteristics as specified in the parts list may create shock, fire, or other hazards.

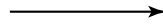
SERVICE MODE

1. ENTERING SERVICE MODE

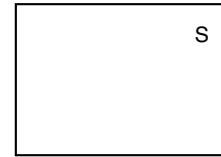
1) Press MUTE button twice on Remote Control.



2) Press MUTE button again and keep pressing.



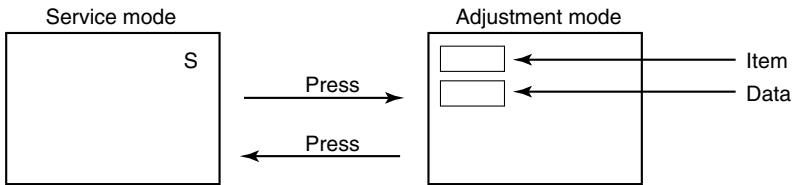
3) While pressing the MUTE button, press MENU button on TV set.



(Service mode display)

2. DISPLAYING THE ADJUSTMENT MENU

1) Press MENU button on Remote Control.



3. SELECTING THE ADJUSTING ITEMS

1) Every pressing of CHANNEL ▲ button in the service mode changes the adjusting items in the order of table-2. (▼ button for reverse order)

Refer to table-1 for preset data of adjustment mode.
(See SETTING & ADJUSTING DATA on page 9)

4. ADJUSTING THE DATA

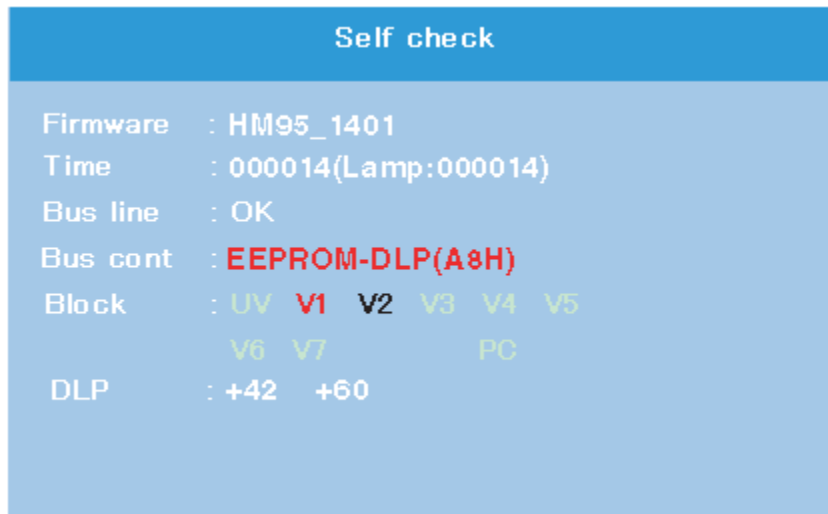
1) Pressing of VOLUME ▲ or ▼ button will change the value of data in the range from 00H to FFH. The variable range depends on the adjusting item.

5. EXIT FROM SERVICE MODE

1) Pressing POWER button to turn off the TV once.

6. SELF DIAGNOSTIC FUNCTION

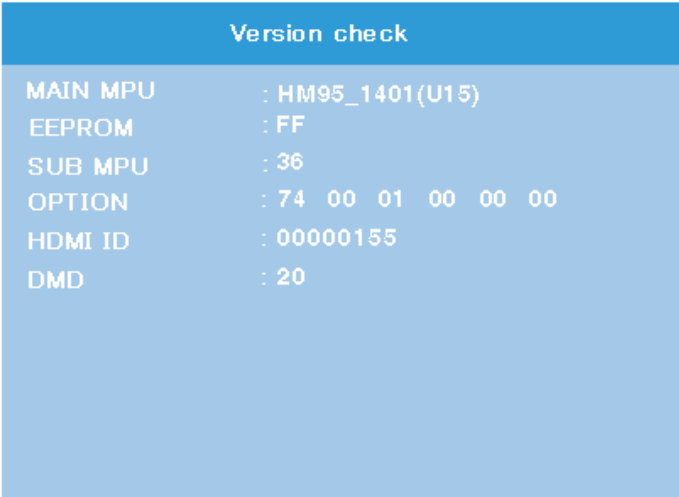
- 1) Press "9" button on Remote Control during display of adjustment menu in the service mode.
The diagnosis will begin to check if interface among IC's is executed properly.
- 2) During diagnosis, the following displays are shown.



- ① Firmware :
Version information of microprocessor
In case of file name : HM95 and Version : 1401 indicates[HM95_1401].
- ② Time : Total brightness hour of the projection lamp. (Unit : H)
- ③ Bus line : --"OK" is normal
"SCL-GND"(Red indication) : SCL-GND short circuit
"SDA-GND"(Red indication) : SDA-GND short circuit
"SCL-SDA"(Red indication) : SCL-SDA short circuit
- ④ Bus cont : --- "OK" is normal.
NG is abnormal(Red indication).
When type name of semiconductor indicates.
- ⑤ Block
UV : TV reception mode
V1 : VIDEO 1 input mode
V2 : VIDEO 2 input mode
V3 : VIDEO 3 input mode
V4 : ColorStream HD-1 IN
V5 : ColorStream HD-2 IN
V6 : HDMI IN 1
V7 : HDMI IN 2
- ⑥ DLP : Thermal sensor values information that indicates both of nearby the projection lamp and DMD microprocessor into the unit.

7. VERSION CHECK MODE

- 1) Press "9" button twice on Remote Control during display of adjustment menu in the service mode. The version of main MPU will begin to check.
- 2) During Version Check, the following displays are shown.



Version check	
① MAIN MPU	: HM95_1401(U15)
② EEPROM	: FF
③ SUB MPU	: 36
④ OPTION	: 74 00 01 00 00 00
⑤ HDMI ID	: 00000155
⑥ DMD	: 20

- ① MAIN MPU :
Version information of microprocessor
In case of file name : HM95, Version 1401 for Code Program Version and (U15) for OSD Version indicates [HM95_1401(U15)]
- ② EEPROM :
Version information of EEPROM : Display 1 byte data.
- ③ SUB MPU :
Version information of SUB MPU : Display 1 byte data.
- ④ OPTION :
Option information : Display six numbers of 1 byte data.
- ⑤ HDMI ID :
HDMI ID information : Display 4 byte data.
- ⑥ DMD :
Version information of DMD optical engine : Display 1 byte data.

8. STATUS CHECK MODE

- 1) Press "9" button thrice on Remote Control during display of adjustment menu in the service mode. The status of this model will begin to check.
- 2) During Status Check, the following displays are shown.

Status check				
①	MAIN	: ANT1	TV	8
②	MAIN FORMAT	: 480i		
③	MAIN PLL	: C6 0E 30 CE 02		
④	SCREEN SIZE	: NATURAL		
⑤	OTHER STATUS	: 0000 0000 0000		

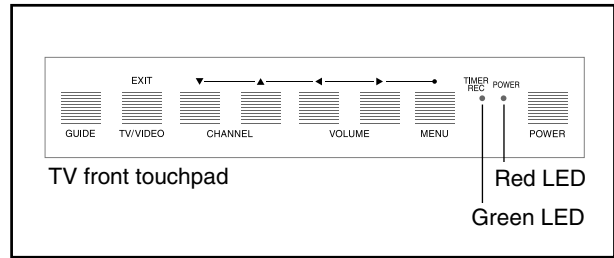
- ① MAIN :
Main source information :
Display RF position number (1 - 135) on the main screen, or Input Source (ANT1/2, CABLE, TV etc.)
- ② MAIN FORMAT :
Display Video and PC format information
- ③ MAIN PLL :
Main PLL information : Display 1 byte data at five.
- ④ SCREEN SIZE :
Display the screen size as follows.

Theater Wide 1
Theater Wide 2
Theater Wide 3
FULL
NATURAL

- ⑤ OTHER STATUS :
Other status information : Display three numbers of 2 byte data.

9. LED indications

The green and red LED lights are on the TV front touchpad, to the left of the POWER button.
The green and red LED lights on the TV control touchpad (on the lower right corner of the TV screen) indicate the TV's current status, as follows:



	LED Indication	Condition	Solution
1	Red and Green turn off.	Power supply OFF. (AC)	
2	Red and Green turn off.	Power supply OFF. (Standby)	
3	Red light solid and Green off.	Power supply ON.	
4	Green blinks continuously at 0.5-second intervals; Red is OFF.	Lamp LPS mode	
5	Green blinks continuously at 0.5-second intervals; Red is ON(solid).	The lamp is not working properly.	The TV automatically will try to restart itself eight times (see item #7).
6	Green blinks continuously at 3-seconds intervals. Red blinks continuously at 0.5-second intervals.	The lamp unit door is not seated properly. (U)	Turn OFF the TV and unplug the power cord. Review "LAMP UNIT REPLACEMENT" on pages 10-12 to ensure that the lamp unit door is installed securely.
7	Green and Red blink continuously at 1-second intervals.	The lamp is not working properly after the after the eight automatic restart. (see item #6). (U)	Turn OFF the TV and then ON again. If the problem persists, replace the lamp unit (see pages 10-12).
8	Red blinks continuously at 0.5-second intervals; Green is OFF.	FAN (Light engine unit) has stopped.	<ul style="list-style-type: none"> • Is the output voltage of the supply voltage regulator for the FAN in the power circuit normal? • Has dust accumulated in the FAN? → If the output voltage is not abnormal, replace the faulty FAN with a new one.
9	Red blinks continuously at 1-second intervals; Green is OFF.	BUS line is damaged	<ul style="list-style-type: none"> • Check the faulty device through the self diagnostics function under SERVICE mode. • Does BUS line (SCL, SDA) work normally? → If the BUS line is under abnormal conditions, replace the faulty device with a new one.
10	Red blinks continuously at 0.2-second intervals 3 times (repeat); Green is OFF.	The color wheel has stopped.	<ul style="list-style-type: none"> • Is the output voltage of the power supply circuit normal? → If the output voltage is normal, replace the engine with a new one.
11	Red blinks continuously at 0.2-second intervals 4 times (repeat); Green is OFF.	Temperature rises abnormally.	<ul style="list-style-type: none"> • Is the ventilating hole in the set (exhaust slot on the rear) blocked or covered? • Is FAN rotating normally? • Has dust accumulated in the ventilating hole? → If no abnormally conditions are found, replace the engine with a new one.

(U) is restoration by the user.

SETTING & ADJUSTING DATA

【 SERVICE MODE 】

ADJUSTING ITEMS AND DATA IN THE SERVICE MODE:

Item	Name of adjustment	Preset	Data	Item	Name of adjustment	Preset	Data
RCUT	R CUT OFF	00H	←	VPOS	V-POSITION	00H	←
GCUT	G CUTOFF	00H	←	CWDH	COLOR WHEEL DELAY (HIGH)	00H	←
BCUT	B CUT OFF	00H	←	CWDL	COLOR WHEEL DELAY (LOW)	00H	←
GDRV	G DRIVE	80H	←	DMDB	DMD BIAS	03H	←
BDRV	B DRIVE	80H	←	OPT1	TV SET OPTION 1	74H	←
RDRV	R DRIVE	80H	←	OPT2	TV SET OPTION 2	00H	←
* BRTC	BRIGHTNESS CENTER	FAH	←	OPT3	TV SET OPTION 3	01H	←
* COLC	COLOR CENTER	C8H	←	TVOP	TV OPTION	40H	←
* UVTT	BASE BAND TINT	FEH	←	PLLW0	PLL WAIT TIME	14H	←
* CNTX	CONTRAST MAX	80H	←	PLLW1	PLL WAIT TIME	03H	←
CNTCG	G CONTRAST CENTER	64H	←	PLLW2	PLL WAIT TIME	0FH	←
CNTCR	R CONTRAST CENTER	64H	←	PLLW3	PLL WAIT TIME	05H	←
CNTCB	B CONTRAST CENTER	64H	←	PLLW4	PLL WAIT TIME	14H	←
HPOS	H-POSITION	00H	←	PLLW5	PLL WAIT TIME	04H	←

Table-1

Note:

The image system data of * mark items are different by each image format.

The RF-Signal value is indicated in the table.

LAMP UNIT REPLACEMENT

Cautions when replacing LAMP UNIT (E998Z; PJ-D95-LMP)

The light source for this TV is a mercury lamp with internal atmospheric pressure that increases during use. The lamp has a limited service life that varies depending on user settings. If you use the lamp beyond its service life:

- you may notice a reduction in the colors and/or brightness of the picture; and
- the strength of the quartz glass in the lamp will be reduced and the lamp may rupture (often making a loud noise when this happens). If the lamp ruptures, the TV will not operate until the lamp unit is replaced.

Note: The lamp unit is designed so broken lamp glass remains securely inside the lamp unit.



CAUTION: Always handle the lamp unit with care.

The lamp unit in this TV was designed for safe replacement by consumers; however, if the lamp unit is subjected to intentional abuse (such as excessive mechanical abuse or handling by children or pets), the unit may break, exposing edges or pinch points.

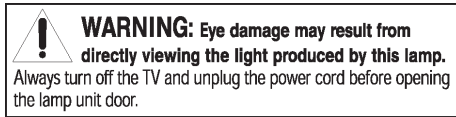
When to replace the lamp unit

You should replace the lamp unit:

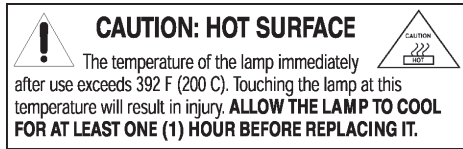
- if the picture darkens and/or colors fade;
- if the lamp does not light; or
- If you hear a loud noise and the picture goes black, which may indicate a lamp rupture (LED indication #8). See LED indications on page 6.

Note: Be sure wear the gloves before replacing the lamp unit.

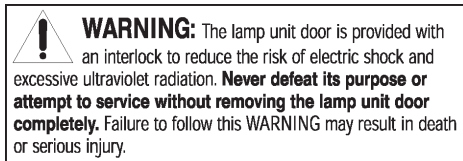
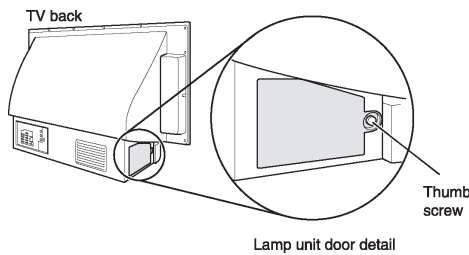
1. Turn off the TV and unplug the power cord.



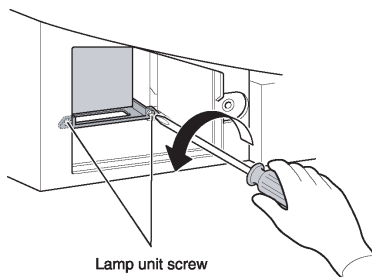
2. STOP! Allow the lamp to cool for at least one (1) hour before replacing it.



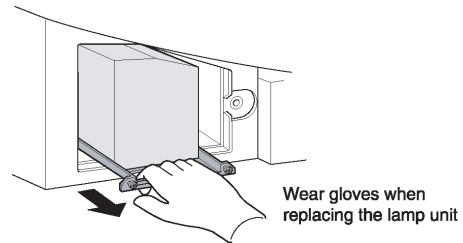
3. On the back of the TV, loosen the thumb screw (by hand) on the lamp unit door, and then remove the lamp unit door.



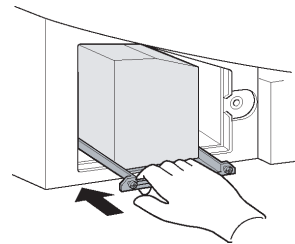
4. Using a manual screwdriver, loosen two screws on the lamp unit.



5. Grasp the lamp unit handle and gently pull the lamp unit straight out of the TV. Set the old lamp unit aside.



6. Carefully insert the new lamp unit straight into the TV until it is fully seated.

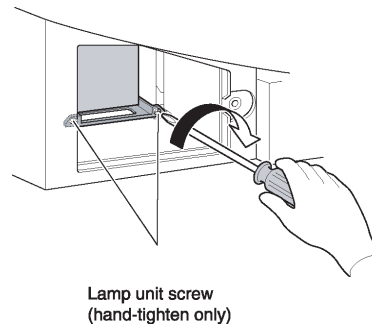


Note :

- Never subject the lamp unit to excessive shock.
- Never touch the lamp unit glass or otherwise get it dirty.
- Doing so may affect the image quality and reduce the service life of the lamp. See “Cleaning the lamp unit glass” below.

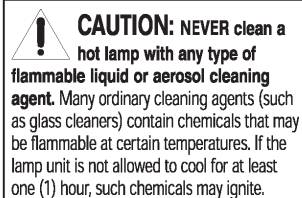
7. Using a manual screwdriver, tighten two lamp unit screws.

Note: Hand-tighten only. Do not use an electric screwdriver.

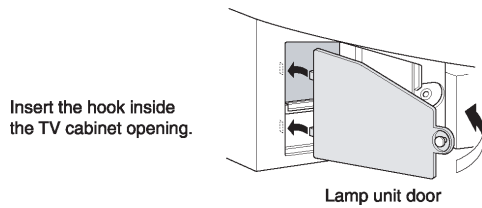


Cleaning the lamp unit glass

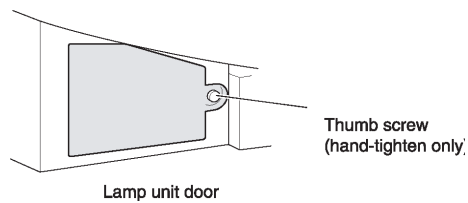
If you accidentally touch the lamp unit glass or otherwise get it dirty, wipe it with a lint-free lens cleaning cloth (such as a cloth for cleaning camera lenses or eyeglasses).




8. Reattach the lamp unit door, making sure to insert the hook on the left side of the lamp unit door inside the opening in the TV cabinet.



9. Replace the thumb screw and hand-tighten.



 **NOTE:** Make sure the lamp unit and screw are installed securely; otherwise, the TV may not turn on and the lamp life may be shortened.

10. Plug in the power cord and turn on the TV. After the initial warmup period (which may take up to 45 seconds for full picture brightness), the TV should operate normally. If any of the following conditions exist, turn off the TV, unplug the power cord, and repeat steps 1-9 to ensure that the lamp unit and lamp unit door are installed correctly:
- No picture
 - Dark picture
 - TV will not turn on

LIGHT ENGINE REPLACEMENT

Cautions when replacing LIGHT ENGINE

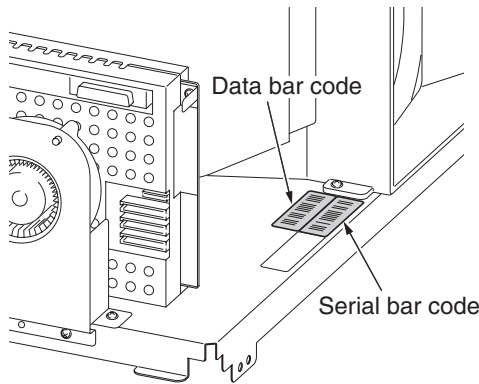
LIGHT ENGINE UNIT:

A271 : LV-672 TB 0D
(Including with E998Z, SK01 to SK04, SK06,SK08 and SK09.)

- LIGHT ENGINE is a heart of the TV and emits high heat. Make sure to replace it after turning off the TV and wait for sufficient cool down. (More than one hour is recommended.)
- Do not impact during replacement; otherwise, some parts may be damaged.
- Do not touch optical lens. Adhesion of dirt may deteriorate its performance.
- Do not loosen any screw other than those to be removed for adjustment or replacement.
- LIGHT ENGINE emits ultraviolet rays when the TV is ON. Make sure to be careful.

1. Replacement of Light Engine Unit

1-1. When Light Engine Unit is replaced with a new one, adjustment is required. Adjusted values are described in bar code, and the values of bar code must be converted to the adjusted values for the setup. There are 2 types of bar code.



Serial bar code
Ex. 52A000A111111
Inch size Serial numbers

Data bar code (CW: color wheel)
Ex. A000000B1111
CWdelay number: 4digits
DMD bias value
Substrate serial numbers

1-2. Adjustment is made from service mode. The adjusting items consist of CWDL, CWDH and DMDB.

CWDL **CWDH**

When CW delay number of the data bar code is 0450:

0450 indicates ⇒ 450 ⇒ 45.0
Double 45.0 to form hexadecimal number (HEX).

45.0 x 2=90 ⇒ 5A (hexadecimal)
The adjusted value becomes "5A" for CWDL and "00" for CWDH.

If hexadecimal number forms 3 or 4 digits, the latter 2 digits indicate CWDL while the first 2 digits indicate CWDH.

(For 3 digits, CWDH=0*)

Note:

For converting decimal number to hexadecimal number, see the conversion table on the next page.

DMDB

Read DMD bias value described in alphabet from the data bar code. In service mode, DMDB value is converted and fixed by the following table.

DMD value in bar code	Adjusted value (Hex)
B	00
C	01
D	02
E	03
F	04

Refer to Service Mode for adjusting the service mode.

Conversion Table for Decimal and Hexadecimal Numbers

CW delay number	CWDH	CWDL
0000	00	00
0005	00	01
0010	00	02
0015	00	03
0020	00	04
0025	00	05
0030	00	06
0035	00	07
0040	00	08
0045	00	09
0050	00	0A
0055	00	0B
0060	00	0C
0065	00	0D
0070	00	0E
0075	00	0F
0080	00	10
0085	00	11
0090	00	12
0095	00	13
0100	00	14
0105	00	15
0110	00	16
0115	00	17
0120	00	18
0125	00	19
0130	00	1A
0135	00	1B
0140	00	1C
0145	00	1D
0150	00	1E
0155	00	1F
0160	00	20
0165	00	21
0170	00	22
0175	00	23
0180	00	24
0185	00	25
0190	00	26
0195	00	27
0200	00	28
0205	00	29
0210	00	2A
0215	00	2B
0220	00	2C
0225	00	2D
0230	00	2E
0235	00	2F
0240	00	30
0245	00	31
0250	00	32
0255	00	33
0260	00	34
0265	00	35
0270	00	36
0275	00	37
0280	00	38
0285	00	39
0290	00	3A
0295	00	3B
0300	00	3C
0305	00	3D
0310	00	3E
0315	00	3F
0320	00	40
0325	00	41
0330	00	42
0335	00	43
0340	00	44
0345	00	45
0350	00	46
0355	00	47
0360	00	48
0365	00	49

CW delay number	CWDH	CWDL
0370	00	4A
0375	00	4B
0380	00	4C
0385	00	4D
0390	00	4E
0395	00	4F
0400	00	50
0405	00	51
0410	00	52
0415	00	53
0420	00	54
0425	00	55
0430	00	56
0435	00	57
0440	00	58
0445	00	59
0450	00	5A
0455	00	5B
0460	00	5C
0465	00	5D
0470	00	5E
0475	00	5F
0480	00	60
0485	00	61
0490	00	62
0495	00	63
0500	00	64
0505	00	65
0510	00	66
0515	00	67
0520	00	68
0525	00	69
0530	00	6A
0535	00	6B
0540	00	6C
0545	00	6D
0550	00	6E
0555	00	6F
0560	00	70
0565	00	71
0570	00	72
0575	00	73
0580	00	74
0585	00	75
0590	00	76
0595	00	77
0600	00	78
0605	00	79
0610	00	7A
0615	00	7B
0620	00	7C
0625	00	7D
0630	00	7E
0635	00	7F
0640	00	80
0645	00	81
0650	00	82
0655	00	83
0660	00	84
0665	00	85
0670	00	86
0675	00	87
0680	00	88
0685	00	89
0690	00	8A
0695	00	8B
0700	00	8C
0705	00	8D
0710	00	8E
0715	00	8F
0720	00	90
0725	00	91
0730	00	92
0735	00	93

CW delay number	CWDH	CWDL
0740	00	94
0745	00	95
0750	00	96
0755	00	97
0760	00	98
0765	00	99
0770	00	9A
0775	00	9B
0780	00	9C
0785	00	9D
0790	00	9E
0795	00	9F
0800	00	A0
0805	00	A1
0810	00	A2
0815	00	A3
0820	00	A4
0825	00	A5
0830	00	A6
0835	00	A7
0840	00	A8
0845	00	A9
0850	00	AA
0855	00	AB
0860	00	AC
0865	00	AD
0870	00	AE
0875	00	AF
0880	00	B0
0885	00	B1
0890	00	B2
0895	00	B3
0900	00	B4
0905	00	B5
0910	00	B6
0915	00	B7
0920	00	B8
0925	00	B9
0930	00	BA
0935	00	BB
0940	00	BC
0945	00	BD
0950	00	BE
0955	00	BF
0960	00	C0
0965	00	C1
0970	00	C2
0975	00	C3
0980	00	C4
0985	00	C5
0990	00	C6
0995	00	C7
1000	00	C8
1005	00	C9
1010	00	CA
1015	00	CB
1020	00	CC
1025	00	CD
1030	00	CE
1035	00	CF
1040	00	D0
1045	00	D1
1050	00	D2
1055	00	D3
1060	00	D4
1065	00	D5
1070	00	D6
1075	00	D7
1080	00	D8
1085	00	D9
1090	00	DA
1095	00	DB
1100	00	DC
1105	00	DD

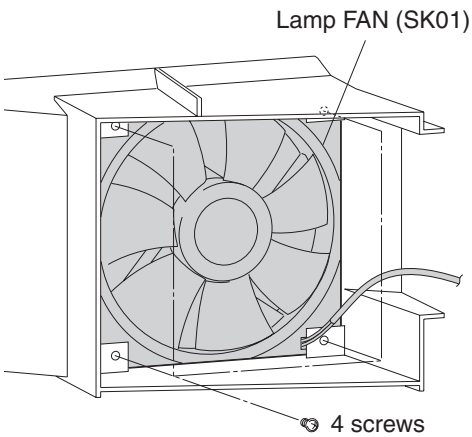
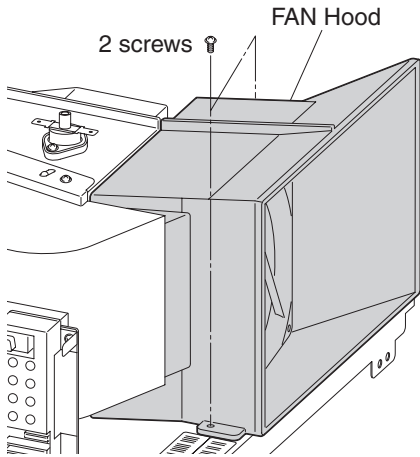
CW delay number	CWDH	CWDL
1110	00	DE
1115	00	DF
1120	00	E0
1125	00	E1
1130	00	E2
1135	00	E3
1140	00	E4
1145	00	E5
1150	00	E6
1155	00	E7
1160	00	E8
1165	00	E9
1170	00	EA
1175	00	EB
1180	00	EC
1185	00	ED
1190	00	EE
1195	00	EF
1200	00	F0
1205	00	F1
1210	00	F2
1215	00	F3
1220	00	F4
1225	00	F5
1230	00	F6
1235	00	F7
1240	00	F8
1245	00	F9
1250	00	FA
1255	00	FB
1260	00	FC
1265	00	FD
1270	00	FE
1275	00	FF
1280	01	00
1285	01	01
1290	01	02
1295	01	03
1300	01	04
1305	01	05
1310	01	06
1315	01	07
1320	01	08
1325	01	09
1330	01	0A
1335	01	0B
1340	01	0C
1345	01	0D
1350	01	0E
1355	01	0F
1360	01	10
1365	01	11
1370	01	12
1375	01	13
1380	01	14
1385	01	15
1390	01	16
1395	01	17
1400	01	18
1405	01	19
1410	01	1A
1415	01	1B
1420	01	1C
1425	01	1D
1430	01	1E
1435	01	1F
1440	01	20
1445	01	21
1450	01	22
1455	01	23
1460	01	24
1465	01	25
1470	01	26
1475	01	27

CW delay number	CWDH	CWDL
1480	01	28
1485	01	29
1490	01	2A
1495	01	2B
1500	01	2C
1505	01	2D
1510	01	2E
1515	01	2F
1520	01	30
1525	01	31
1530	01	32
1535	01	33
1540	01	34
1545	01	35
1550	01	36
1555	01	37
1560	01	38
1565	01	39
1570	01	3A
1575	01	3B
1580	01	3C
1585	01	3D
1590	01	3E
1595	01	3F
1600	01	40
1605	01	41
1610	01	42
1615	01	43
1620	01	44
1625	01	45
1630	01	46
1635	01	47
1640	01	48
1645	01	49
1650	01	4A
1655	01	4B
1660	01	4C
1665	01	4D
1670	01	4E
1675	01	4F
1680	01	50
1685	01	51
1690	01	52
1695	01	53
1700	01	54
1705	01	55
1710	01	56
1715	01	57
1720	01	58
1725	01	59
1730	01	5A
1735	01	5B
1740	01	5C
1745	01	5D
1750	01	5E
1755	01	5F
1760	01	60
1765	01	61
1770	01	62
1775	01	63
1780	01	64
1785	01	65
1790	01	66
1795	01	67

PARTS REPLACEMENT IN LIGHT ENGINE

1. Replacement of Lamp FAN (SK01)

- 1-1. Replace the FAN for cooling Lamp (SK01), remove 2 screws on the FAN hood, and then remove 4 screws on the FAN for cooling Lamp.

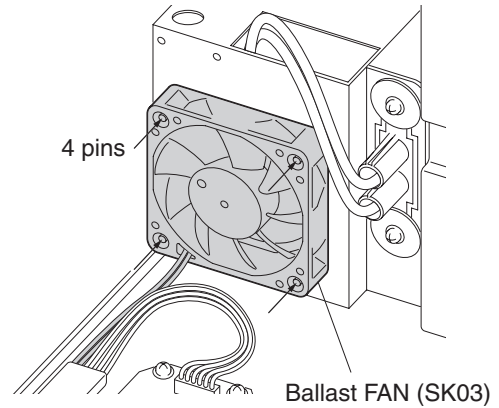


2. Replacement of Ballast FAN (SK03)

- 2-1. Replace the FAN for cooling Ballast Power Unit (SK03), remove the 4 pins by pressing into the unit, and then remove the FAN for cooling Ballast Power Unit.

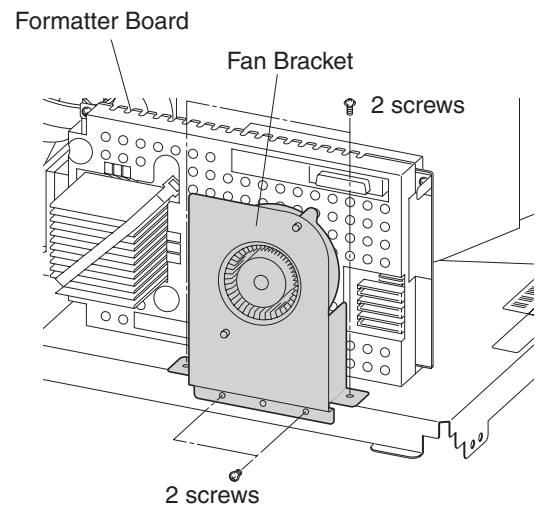
NOTE:

Reinstalling the FAN for cooling Ballast Power Unit, attach the 4 pins by using removed them after replacing the FAN.

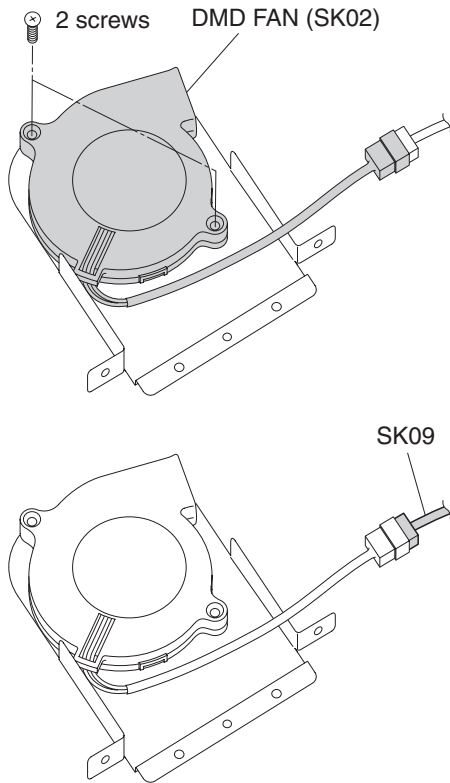


3. Replacement of DMD FAN (SK02) and FAN Transfer Cable (SK09)

- 3-1. Replace the FAN for cooling Formatter Board, detach the bracket with FAN by removing the 4 screws on the bracket.

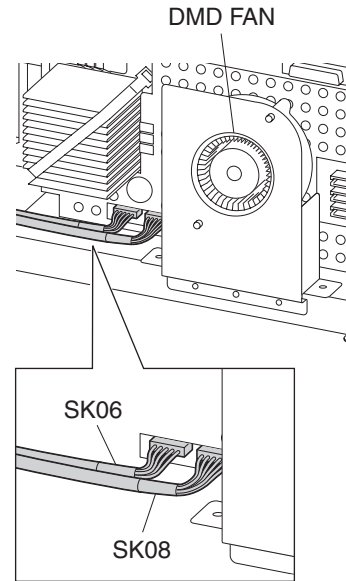


- 3-2. Remove the 2 screws from the bracket, and then remove the FAN for cooling Formatter Board (SK02).
- 3-3. Disconnect and replace the FAN transfer cable between Ballast and Formatter Boards (SK09).



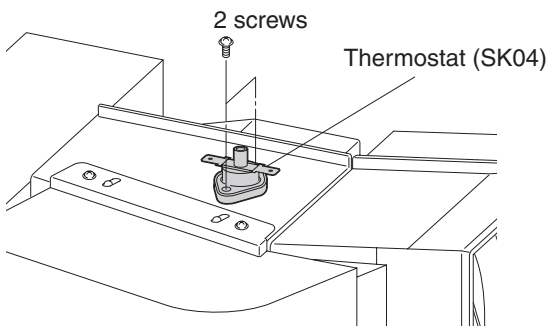
5. Replacement of Ballast to Formatter Board Cables (SK06 and SK08)

- 5-1. Disconnect and replace the cable between Ballast and Formatter Boards (SK06).
- 5-2. Disconnect and replace the cable between Smooth Picture and Formatter Boards (SK08).



4. Replacement of Thermostat (Lamp Sensor) (SK04)

- 4-1. Replace the Thermostat (Lamp Sensor) (SK04), remove 2 screws on the Thermostat.

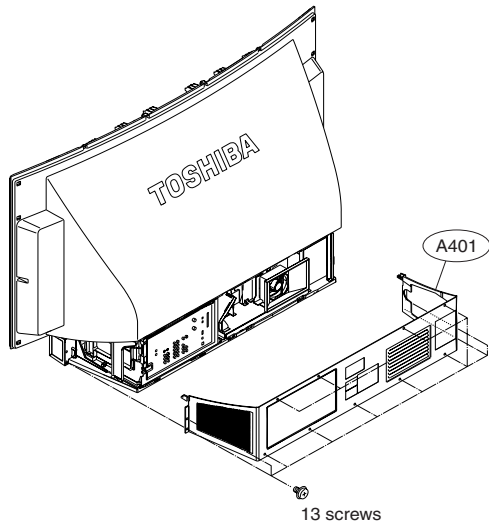


8. LIGHT ENGINE UNIT

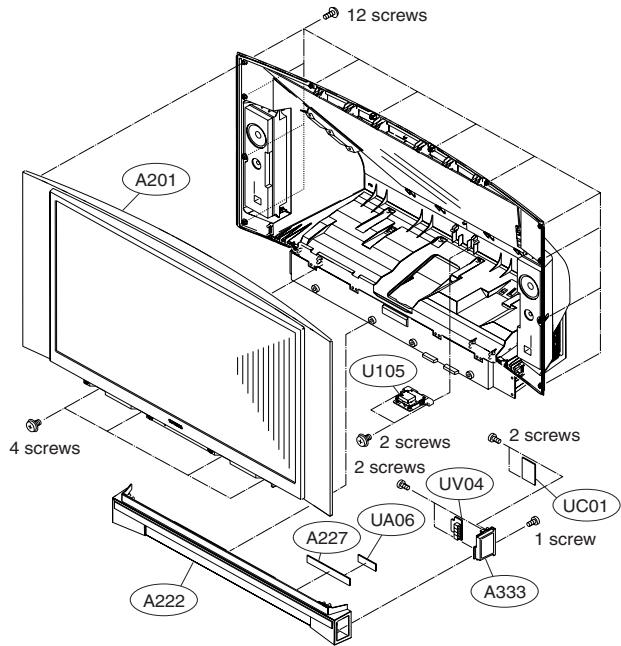
Location No.	Parts No.	Description
△ A271	23405476	OPTICAL ENGINE, LV-672 TB 0D (Incl. E998Z, SK01-SK04, SK06,SK08,SK09)
E998Z	23311153	EXCHANGE LAMP, PJ-D95-LMP
SK01	23587525	SERVICE KIT, LAMP FAN
SK02	23587526	SERVICE KIT, DMD FAN
SK03	23587527	SERVICE KIT, BALLAST FAN
SK04	23587528	SERVICE KIT, THERMOSTAT
SK06	23587536	SERVICE KIT, B TO F CABLE
SK08	23587538	SERVICE KIT, S TO F CABLE
SK09	23587539	SERVICE KIT, FAN TRANSFER CABLE

MECHANICAL DISASSEMBLY

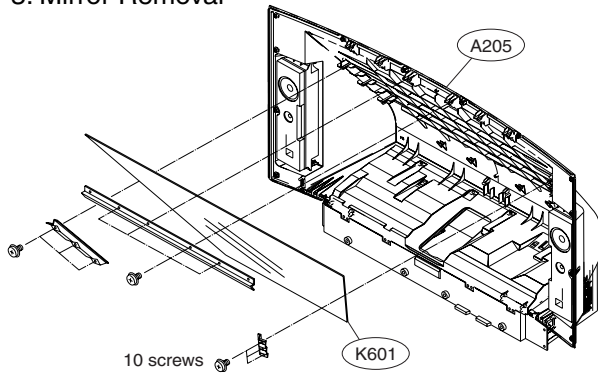
1. Rear Cover Removal



2. Touchpad & Bezel Ass'y Removal

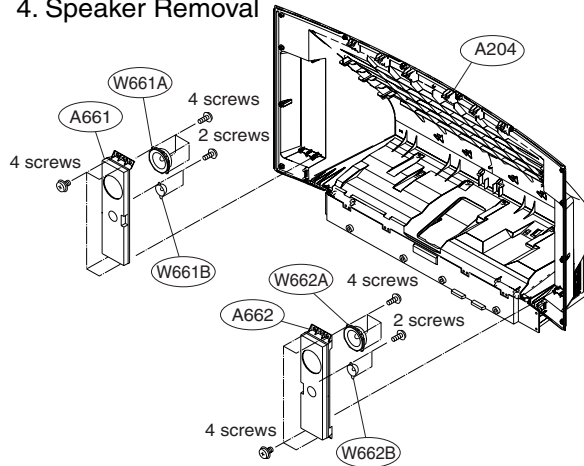


3. Mirror Removal

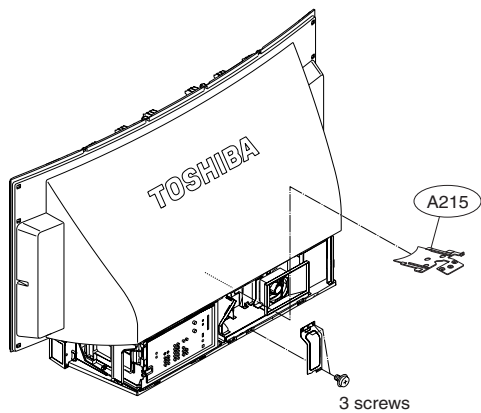


Note; A205 includes A204, A661, A662, W661A, W661B, W662A and W662B.

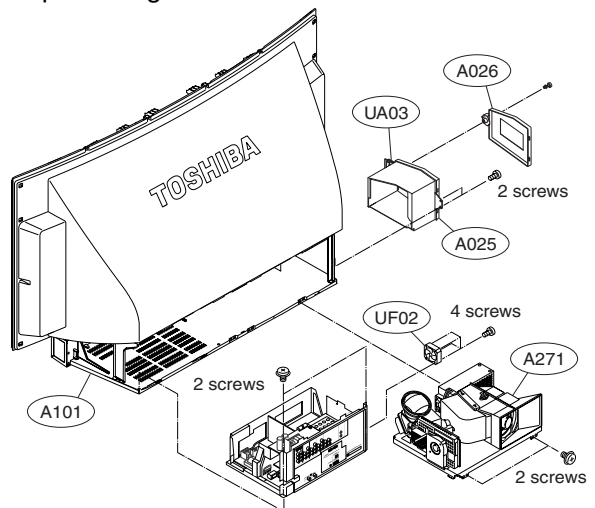
4. Speaker Removal



5. Bracket Removal



6. Optical Engine Removal



CHASSIS AND CABINET REPLACEMENT PARTS LIST

WARNING: BEFORE SERVICING THIS CHASSIS, READ THE "X-RAY RADIATION PRECAUTION", "SAFETY PRECAUTION" AND "PRODUCT SAFETY NOTICE" ON PAGE 3 OF THIS MANUAL.

CAUTION: The international hazard symbols " \triangle " in the schematic diagram and the parts list designate components which have special characteristics important for safety and should be replaced only with types identical to those in the original circuit or specified in the parts list. The mounting position of replacements is to be identical with originals. Before replacing any of these components, read carefully the PRODUCT SAFETY NOTICE. Do not degrade the safety of the receiver through improper servicing.

NOTICE:

The part number must be used when ordering parts, in order to assist in processing, be sure to include the Model number and Description.

*The PC board assembly with * mark is no longer available after the end of the production.*

Model : 62HM95

Capacitors CD : Ceramic Disk PF : Plastic Film EL : Electrolytic
 Resistors CF : Carbon Film CC : Carbon Composition MF : Metal Film
 OMF : Oxide Metal Film VR : Variable Resistor FR : Fusible Resistor
 (All CD and PF capacitors are $\pm 5\%$, 50V and all resistors, $\pm 5\%$, 1/6W unless otherwise noted.)

Location No.	Parts No.	Description
CAPACITORS		
C001	76100104	CERAMIC CHIP, 25V F 0.1UF Z
C002	76100104	CERAMIC CHIP, 25V F 0.1UF Z
C003	76100104	CERAMIC CHIP, 25V F 0.1UF Z
C004	76100104	CERAMIC CHIP, 25V F 0.1UF Z
C005	76100104	CERAMIC CHIP, 25V F 0.1UF Z
C006	76100104	CERAMIC CHIP, 25V F 0.1UF Z
C007	76100104	CERAMIC CHIP, 25V F 0.1UF Z
C008	76100104	CERAMIC CHIP, 25V F 0.1UF Z
C009	76100104	CERAMIC CHIP, 25V F 0.1UF Z
C010	76100104	CERAMIC CHIP, 25V F 0.1UF Z
C011	76100104	CERAMIC CHIP, 25V F 0.1UF Z
C012	76100104	CERAMIC CHIP, 25V F 0.1UF Z
C013	76100104	CERAMIC CHIP, 25V F 0.1UF Z
C014	76100104	CERAMIC CHIP, 25V F 0.1UF Z
C015	76100104	CERAMIC CHIP, 25V F 0.1UF Z
C016	76100104	CERAMIC CHIP, 25V F 0.1UF Z
C017	76100104	CERAMIC CHIP, 25V F 0.1UF Z
C018	76100104	CERAMIC CHIP, 25V F 0.1UF Z
C019	76100104	CERAMIC CHIP, 25V F 0.1UF Z
C020	76100104	CERAMIC CHIP, 25V F 0.1UF Z
C021	76100104	CERAMIC CHIP, 25V F 0.1UF Z
C022	76100104	CERAMIC CHIP, 25V F 0.1UF Z
C023	76100104	CERAMIC CHIP, 25V F 0.1UF Z
C024	76100104	CERAMIC CHIP, 25V F 0.1UF Z
C025	76100104	CERAMIC CHIP, 25V F 0.1UF Z
C026	76100104	CERAMIC CHIP, 25V F 0.1UF Z
C027	76100104	CERAMIC CHIP, 25V F 0.1UF Z
C028	76100104	CERAMIC CHIP, 25V F 0.1UF Z
C029	76100104	CERAMIC CHIP, 25V F 0.1UF Z
C030	76100104	CERAMIC CHIP, 25V F 0.1UF Z
C031	76100104	CERAMIC CHIP, 25V F 0.1UF Z
C032	76100104	CERAMIC CHIP, 25V F 0.1UF Z
C033	76100104	CERAMIC CHIP, 25V F 0.1UF Z
C034	76100104	CERAMIC CHIP, 25V F 0.1UF Z
C035	76100104	CERAMIC CHIP, 25V F 0.1UF Z
C036	76100104	CERAMIC CHIP, 25V F 0.1UF Z
C037	76100104	CERAMIC CHIP, 25V F 0.1UF Z
C038	76100104	CERAMIC CHIP, 25V F 0.1UF Z
C039	76100104	CERAMIC CHIP, 25V F 0.1UF Z
C040	76100104	CERAMIC CHIP, 25V F 0.1UF Z
C041	76100104	CERAMIC CHIP, 25V F 0.1UF Z
C042	76100104	CERAMIC CHIP, 25V F 0.1UF Z
C043	76100104	CERAMIC CHIP, 25V F 0.1UF Z
C044	76100104	CERAMIC CHIP, 25V F 0.1UF Z
C045	76100104	CERAMIC CHIP, 25V F 0.1UF Z

Location No.	Parts No.	Description
C046	76100104	CERAMIC CHIP, 25V F 0.1UF Z
C047	76100104	CERAMIC CHIP, 25V F 0.1UF Z
C048	76100104	CERAMIC CHIP, 25V F 0.1UF Z
C049	76100104	CERAMIC CHIP, 25V F 0.1UF Z
C050	76100104	CERAMIC CHIP, 25V F 0.1UF Z
C051	76100104	CERAMIC CHIP, 25V F 0.1UF Z
C102	76665221	ELECTROLYTIC, 10V 220UF M 3A
C103	76109102	CERAMIC CHIP, 50V B 1000PF K
C104	76073084	ELECTROLYTIC, 50V 4.7UF M 3A
C120	76092730	CERAMIC CHIP, 16V B 0.1UF K
C151	76109102	CERAMIC CHIP, 50V B 1000PF K
C152	76109102	CERAMIC CHIP, 50V B 1000PF K
C161	76109102	CERAMIC CHIP, 50V B 1000PF K
C162	76105101	CERAMIC CHIP, 50V CH 100PF J
C164	76092730	CERAMIC CHIP, 16V B 0.1UF K
C601	76109391	CERAMIC CHIP, 50V B 390PF K
C602	76109391	CERAMIC CHIP, 50V B 390PF K
C603	76797100	ELECTROLYTIC, 50V 10UF M
C604	76797100	ELECTROLYTIC, 50V 10UF M
C605	76073084	ELECTROLYTIC, 50V 4.7UF M 3A
C606	76073084	ELECTROLYTIC, 50V 4.7UF M 3A
C607	76073052	ELECTROLYTIC, 25V 47UF M 3A
C608	76073052	ELECTROLYTIC, 25V 47UF M 3A
C609	76073068	ELECTROLYTIC, 35V 100UF M 3A
C610	76073086	ELECTROLYTIC, 50V 10UF M 3A
C612	76073039	ELECTROLYTIC, 16V 220UF M 3A
C613	76503042	PLASTIC FILM, 63V 0.12UF J
C614	76503042	PLASTIC FILM, 63V 0.12UF J
C615	76073095	ELECTROLYTIC, 50V 2200UF M 3A
C616	76073095	ELECTROLYTIC, 50V 2200UF M 3A
C661	76766479	ELECTROLYTIC, 50V 4.7UF M
C662	76797100	ELECTROLYTIC, 50V 10UF M
C663	76797100	ELECTROLYTIC, 50V 10UF M
C664	76108560	CERAMIC CHIP, 50V SL 56PF J
C665	76567103	PLASTIC FILM, 50V 0.01UF J
C666	76766479	ELECTROLYTIC, 50V 4.7UF M
C667	76794100	ELECTROLYTIC, 16V 10UF M
C668	76108560	CERAMIC CHIP, 50V SL 56PF J
C680	76073094	ELECTROLYTIC, 50V 1000UF M 3A
C681	76109103	CERAMIC CHIP, 50V B 0.01UF K
C687	76796101	ELECTROLYTIC, 35V 100UF M
C688	76795470	ELECTROLYTIC, 25V 47UF M
\triangle C801	76503004	PLASTIC FILM, AC275V 0.47UF M
\triangle C803	76503002	PLASTIC FILM, AC275V 0.22UF M
C805	76092281	CERAMIC DISC, AC250V E 4700PF
C808	76095634	PLASTIC FILM, 630V 0.01UF H

Location No.	Parts No.	Description
C809	76086067	CHEMICON 200V 102M LGQ2D102MESHTL
C810	76086067	CHEMICON 200V 102M LGQ2D102MESHTL
△ C811	76092567	CERAMIC DISC, AC250V E 1000PF M
△ C812	76092567	CERAMIC DISC, AC250V E 1000PF M
C815	76285104	CERAMIC CHIP, 50V B 0.1UF K
C816	76669470	ELECTROLYTIC, 50V 47UF M 3A
C817	76092179	CERAMIC CHIP, 25V B 0.22UF K
C818	76285104	CERAMIC CHIP, 50V B 0.1UF K
C819	76214102	CERAMIC DISC, 500V B 1000PF K
C820	76092463	CERAMIC CHIP, 16V B 0.22UF K
C821	76092343	CERAMIC DISC, 2KV 680PF K
C822	76092344	CERAMIC DISC, 2KV 820PF K
C823	76092337	CERAMIC DISC, 2KV 220PF K
C824	76109472	CERAMIC CHIP, 50V B 4700PF K
△ C825	76503117	PLASTIC FILM CQ92 T 800V 33000PF J
C826	76092338	CERAMIC DISC, 2KV R 270PF K
C827	76503053	PLASTIC FILM, 63V 1UF J
C828	76214103	CERAMIC DISC, 500V B 0.01UF K
C829	76678229	ELECTROLYTIC, 200V 2.2UF M 3A
C840	76092730	CERAMIC CHIP, 16V B 0.1UF K
C855	76073157	ELECTROLYTIC, 16V 1500UF M 3A
C857	76073172	ELECTROLYTIC, 25V 1000UF M 3A
C860	76073205	ELECTROLYTIC CE04P 50V 470UF M 3A
C870	76092178	CERAMIC CHIP, 25V B 0.1UF K
C898	76092178	CERAMIC CHIP, 25V B 0.1UF K
△ C899	76092567	CERAMIC DISC, AC250V E 1000PF M
C8905	76666221	ELECTROLYTIC, 16V 220UF M
C8910	76092738	CERAMIC CHIP, 25V B 0.47UF K
C8911	76073151	ELECTROLYTIC, 16V 120UF M 3A
C8920	76073053	ELECTROLYTIC, 25V 100UF M 3A
C8921	76092738	CERAMIC CHIP, 25V B 0.47UF K
C8922	76667470	ELECTROLYTIC, 25V 47UF M 3A
C8923	76666331	ELECTROLYTIC, 16V 330UF M
C8924	76092730	CERAMIC CHIP, 16V B 0.1UF K
C8931	76092738	CERAMIC CHIP, 25V B 0.47UF K
C8932	76667470	ELECTROLYTIC, 25V 47UF M 3A
C8933	76666331	ELECTROLYTIC, 16V 330UF M
C8934	76092730	CERAMIC CHIP, 16V B 0.1UF K
C8960	76092616	CERAMIC CHIP, 16V B 0.33UF K
C8961	76092730	CERAMIC CHIP, 16V B 0.1UF K
CA81	76109333	CERAMIC CHIP, 25V B 0.033UF K
CA82	76109123	CERAMIC CHIP, 50V B 0.012UF K
CA83	76109103	CERAMIC CHIP, 50V B 0.01UF K
CA84	76109333	CERAMIC CHIP, 25V B 0.033UF K
CA85	76109273	CERAMIC CHIP, 25V B 0.027UF K
CA86	76109123	CERAMIC CHIP, 50V B 0.012UF K
CA87	76109123	CERAMIC CHIP, 50V B 0.012UF K
CA88	76109333	CERAMIC CHIP, 25V B 0.033UF K
CA91	76092730	CERAMIC CHIP, 16V B 0.1UF K
CA92	76092730	CERAMIC CHIP, 16V B 0.1UF K
CA93	76619040	ELECTROLYTIC CHIP, 16V 10UF M 3A
CA94	76619040	ELECTROLYTIC CHIP, 16V 10UF M 3A
CA95	76092730	CERAMIC CHIP, 16V B 0.1UF K
CA96	76092730	CERAMIC CHIP, 16V B 0.1UF K
CB01	76794470	ELECTROLYTIC, 16V 47UF M
CB51	76590103	PLASTIC FILM, 50V 0.01UF J
CB52	76794470	ELECTROLYTIC, 16V 47UF M
CB53	76503041	PLASTIC FILM, 63V 0.1UF J
CB54	76436221	CERAMIC DISC, 50V SL 220PF J
CB55	76797010	ELECTROLYTIC, 50V 1UF M
CB56	76794470	ELECTROLYTIC, 16V 47UF M
CB58	76794470	ELECTROLYTIC, 16V 47UF M
CB59	76590103	PLASTIC FILM, 50V 0.01UF J
CB60	76794100	ELECTROLYTIC, 16V 10UF M
CB61	76503041	PLASTIC FILM, 63V 0.1UF J
CB81	76092730	CERAMIC CHIP, 16V B 0.1UF K
CB82	76567474	PLASTIC FILM, 50V 0.47UF J
CB503	76092730	CERAMIC CHIP, 16V B 0.1UF K
CB504	76794100	ELECTROLYTIC, 16V 10UF M
CB505	76092730	CERAMIC CHIP, 16V B 0.1UF K
CB506	76092795	CERAMIC CHIP, 6.3V B 2.2UF K
CB507	76092730	CERAMIC CHIP, 16V B 0.1UF K
CB508	76092795	CERAMIC CHIP, 6.3V B 2.2UF K
CB509	76794101	ELECTROLYTIC, 16V 100UF M
CB510	76092795	CERAMIC CHIP, 6.3V B 2.2UF K
CC01	76109102	CERAMIC CHIP, 50V B 1000PF K @U104

Location No.	Parts No.	Description
	76092730	CERAMIC CHIP, 16V B 0.1UF K @UC01
CC02	76109102	CERAMIC CHIP, 50V B 1000PF K @U104
	76092730	CERAMIC CHIP, 16V B 0.1UF K @UC01
CC03	76109102	CERAMIC CHIP, 50V B 1000PF K @U104
	76092730	CERAMIC CHIP, 16V B 0.1UF K @UC01
CC04	76109102	CERAMIC CHIP, 50V B 1000PF K @U104
	76619100	ELECTROLYTIC CHIP, 16V 10UF M @UC01
CC05	76109102	CERAMIC CHIP, 50V B 1000PF K @U104
	76092730	CERAMIC CHIP, 16V B 0.1UF K @UC01
CC06	76109102	CERAMIC CHIP, 50V B 1000PF K @U104
	76092730	CERAMIC CHIP, 16V B 0.1UF K @UC01
CC07	76109102	CERAMIC CHIP, 50V B 1000PF K @U104
	76619100	ELECTROLYTIC CHIP, 16V 10UF M @UC01
CC08	76109102	CERAMIC CHIP, 50V B 1000PF K @U104
	76092730	CERAMIC CHIP, 16V B 0.1UF K @UC01
CC09	76109102	CERAMIC CHIP, 50V B 1000PF K @U104
	76092730	CERAMIC CHIP, 16V B 0.1UF K @UC01
CC10	76109102	CERAMIC CHIP, 50V B 1000PF K @U104
	76092730	CERAMIC CHIP, 16V B 0.1UF K @UC01
CC11	76109102	CERAMIC CHIP, 50V B 1000PF K @U104
	76619100	ELECTROLYTIC CHIP, 16V 10UF M @UC01
CC12	76109102	CERAMIC CHIP, 50V B 1000PF K @U104
	76092538	CERAMIC CHIP, 10V F 1UF Z @UC01
CC13	76109102	CERAMIC CHIP, 50V B 1000PF K @U104
	76092730	CERAMIC CHIP, 16V B 0.1UF K @UC01
CC14	76109102	CERAMIC CHIP, 50V B 1000PF K @U104
	76092730	CERAMIC CHIP, 16V B 0.1UF K @UC01
CC15	76109102	CERAMIC CHIP, 50V B 1000PF K @U104
	76619100	ELECTROLYTIC CHIP, 16V 10UF M @UC01
CC16	76109102	CERAMIC CHIP, 50V B 1000PF K @U104
	76092730	CERAMIC CHIP, 16V B 0.1UF K @UC01
CC17	76619100	ELECTROLYTIC CHIP, 16V 10UF M
CC18	76092730	CERAMIC CHIP, 16V B 0.1UF K
CC19	76092730	CERAMIC CHIP, 16V B 0.1UF K
CC20	76619100	ELECTROLYTIC CHIP, 16V 10UF M
CC21	76092730	CERAMIC CHIP, 16V B 0.1UF K
CC22	76092538	CERAMIC CHIP, 10V F 1UF Z
CC24	76092538	CERAMIC CHIP, 10V F 1UF Z
CC25	76092538	CERAMIC CHIP, 10V F 1UF Z
CC26	76092730	CERAMIC CHIP, 16V B 0.1UF K
CC27	76092730	CERAMIC CHIP, 16V B 0.1UF K
CC28	76619102	ELECTROLYTIC CHIP, 16V 47UF M
CC30	76619100	ELECTROLYTIC CHIP, 16V 10UF M
CC31	76092730	CERAMIC CHIP, 16V B 0.1UF K
CC33	76092730	CERAMIC CHIP, 16V B 0.1UF K
CC34	76092730	CERAMIC CHIP, 16V B 0.1UF K
CC36	76619100	ELECTROLYTIC CHIP, 16V 10UF M
CC40	76092538	CERAMIC CHIP, 10V F 1UF Z
CC41	76092730	CERAMIC CHIP, 16V B 0.1UF K
CC42	76109103	CERAMIC CHIP, 50V B 0.01UF K
△ CE01	76503002	PLASTIC FILM, AC275V 0.22UF M
CE04	76092281	CERAMIC DISC, AC250V E 4700PF
CE05	76092281	CERAMIC DISC, AC250V E 4700PF
△ CE08	76503253	PLASTIC FILM, 1250VH 0.01UF H
CE09	76092337	CERAMIC DISC, 2KV 220PF K
CE10	76073217	ELECTROLYTIC, 200V 560UF M
△ CE11	76092565	CERAMIC DISC, AC250V B 470PF K
△ CE12	76092565	CERAMIC DISC, AC250V B 470PF K
△ CE13	76092565	CERAMIC DISC, AC250V B 470PF K
CE19	76073019	ELECTROLYTIC, 10V 470UF M 3A
CE30	76073183	ELECTROLYTIC CE04P 35V 220UF M 3A
CE31	76092730	CERAMIC CHIP, 16V B 0.1UF K
CE32	76073153	ELECTROLYTIC, 16V 470UF M 3A
CE33	76092730	CERAMIC CHIP, 16V B 0.1UF K
CE34	76109103	CERAMIC CHIP, 50V B 0.01UF K
CE35	76073168	ELECTROLYTIC CE04P 25V 330UF M 3A
CE36	76092730	CERAMIC CHIP, 16V B 0.1UF K
CE37	76073153	ELECTROLYTIC, 16V 470UF M 3A
CE38	76092730	CERAMIC CHIP, 16V B 0.1UF K
CE39	76109103	CERAMIC CHIP, 50V B 0.01UF K
CE40	76666470	ELECTROLYTIC, 16V 47UF M 3A
CE41	76092616	CERAMIC CHIP, 16V B 0.33UF K
CE42	76073137	ELECTROLYTIC CE04P 10V 100UF M 3A
CE48	76073168	ELECTROLYTIC CE04P 25V 330UF M 3A
CE49	76073183	ELECTROLYTIC CE04P 35V 220UF M 3A
CE50	76667470	ELECTROLYTIC, 25V 47UF M 3A

Location No.	Parts No.	Description
CE51	76092738	CERAMIC CHIP, 25V B 0.47UF K
CE52	76073151	ELECTROLYTIC, 16V 120UF M 3A
CE53	76666470	ELECTROLYTIC, 16V 47UF M 3A
CE54	76092616	CERAMIC CHIP, 16V B 0.33UF K
CE55	76073137	ELECTROLYTIC CE04P 10V 100UF M 3A
CE57	76667470	ELECTROLYTIC, 25V 47UF M 3A
CE58	76092738	CERAMIC CHIP, 25V B 0.47UF K
CE59	76073151	ELECTROLYTIC, 16V 120UF M 3A
CE61	76092339	CERAMIC DISC, 2KV 330PF K
CE62	76503049	PLASTIC FILM, 63V 0.47UF J
CE63	76669339	ELECTROLYTIC, 50V 3.3UF M
CE64	76503041	PLASTIC FILM, 63V 0.1UF J
CE65	76214221	CERAMIC DISC, 500V B 220PF K
CE68	76073180	ELECTROLYTIC CE04P 35V 33UF M 3A
CE72	76591471	PLASTIC FILM, 50V 470PF J
CE81	76214331	CERAMIC DISC, 500V B 330PF K
CE82	76214331	CERAMIC DISC, 500V B 330PF K
CE83	76214331	CERAMIC DISC, 500V B 330PF K
CE85	76073159	ELECTROLYTIC CE04P 16V 2700UF M 3A
CE86	76073174	ELECTROLYTIC, 25V 1500UF M 3A
CE87	76073189	ELECTROLYTIC, 35V 1000UF M 3A
CE88	76676470	ELECTROLYTIC, 100V 47UF M 3A
CE89	76503041	PLASTIC FILM, 63V 0.1UF J
CE90	76073152	ELECTROLYTIC, 16V 330UF M 3A
CE91	76214102	CERAMIC DISC, 500V B 1000PF K
CE92	76109103	CERAMIC CHIP, 50V B 0.01UF K
CE93	76109103	CERAMIC CHIP, 50V B 0.01UF K
CE94	76109103	CERAMIC CHIP, 50V B 0.01UF K
CE95	76109103	CERAMIC CHIP, 50V B 0.01UF K
CF09	76073154	ELECTROLYTIC CE04P 16V 680UF M 3A
CF10	76073154	ELECTROLYTIC CE04P 16V 680UF M 3A
CF11	76092730	CERAMIC CHIP, 16V B 0.1UF K
CF12	76073154	ELECTROLYTIC CE04P 16V 680UF M 3A
CF13	76105471	CERAMIC CHIP, 50V CH 470PF J
CF14	76092731	CERAMIC CHIP, 16V B 1UF K
CF15	76109332	CERAMIC CHIP, 50V B 3300PF K
CF16	76109472	CERAMIC CHIP, 50V B 4700PF K
CF17	76815473	CERAMIC CHIP, 50V B 0.047UF K
CF18	76092790	CERAMIC CHIP CK732B 6.3V 10UF K
CF19	76073126	ELECTROLYTIC CE04P 6.3V 330UF M 3A
CF20	76092789	CERAMIC CHIP, 6.3V B 1UF K
CF21	76092789	CERAMIC CHIP, 6.3V B 1UF K
CF22	76073126	ELECTROLYTIC CE04P 6.3V 330UF M 3A
CF23	76092789	CERAMIC CHIP, 6.3V B 1UF K
CF24	76092789	CERAMIC CHIP, 6.3V B 1UF K
CF25	76092790	CERAMIC CHIP CK732B 6.3V 10UF K
CF26	76109103	CERAMIC CHIP, 50V B 0.01UF K
CF27	76109102	CERAMIC CHIP, 50V B 1000PF K
CF28	76092790	CERAMIC CHIP CK732B 6.3V 10UF K
CF29	76092790	CERAMIC CHIP CK732B 6.3V 10UF K
CF90	76667101	ELECTROLYTIC, 25V 100UF M
CF91	76073168	ELECTROLYTIC CE04P 25V 330UF M 3A
CF92	76092730	CERAMIC CHIP, 16V B 0.1UF K
CS01	76092795	CERAMIC CHIP, 6.3V B 2.2UF K
CS02	76092795	CERAMIC CHIP, 6.3V B 2.2UF K
CS03	76092795	CERAMIC CHIP, 6.3V B 2.2UF K
CS04	76092795	CERAMIC CHIP, 6.3V B 2.2UF K
CS05	76092795	CERAMIC CHIP, 6.3V B 2.2UF K
CS06	76092795	CERAMIC CHIP, 6.3V B 2.2UF K
CS07	76092795	CERAMIC CHIP, 6.3V B 2.2UF K
CS08	76092795	CERAMIC CHIP, 6.3V B 2.2UF K
CS09	76092795	CERAMIC CHIP, 6.3V B 2.2UF K
CS10	76092795	CERAMIC CHIP, 6.3V B 2.2UF K
CS11	76092795	CERAMIC CHIP, 6.3V B 2.2UF K
CS12	76092795	CERAMIC CHIP, 6.3V B 2.2UF K
CS13	76092795	CERAMIC CHIP, 6.3V B 2.2UF K
CS14	76092795	CERAMIC CHIP, 6.3V B 2.2UF K
CS15	76092795	CERAMIC CHIP, 6.3V B 2.2UF K
CS16	76092795	CERAMIC CHIP, 6.3V B 2.2UF K
CS17	76092795	CERAMIC CHIP, 6.3V B 2.2UF K
CS18	76092795	CERAMIC CHIP, 6.3V B 2.2UF K
CS19	76092795	CERAMIC CHIP, 6.3V B 2.2UF K
CS20	76092795	CERAMIC CHIP, 6.3V B 2.2UF K
CS21	76092795	CERAMIC CHIP, 6.3V B 2.2UF K
CS22	76092795	CERAMIC CHIP, 6.3V B 2.2UF K
CS23	76109103	CERAMIC CHIP, 50V B 0.01UF K

Location No.	Parts No.	Description
CS24	76794101	ELECTROLYTIC, 16V 100UF M
CS25	76794220	ELECTROLYTIC, 16V 22UF M
CS31	76794100	ELECTROLYTIC, 16V 10UF M
CS32	76794100	ELECTROLYTIC, 16V 10UF M
CS33	76797229	ELECTROLYTIC, 50V 2.2UF M
CV13	76794100	ELECTROLYTIC, 16V 10UF M
CV14	76232103	CERAMIC DISC, 50V F 0.01UF Z
CV15	76232103	CERAMIC DISC, 50V F 0.01UF Z
CV40	76793101	ELECTROLYTIC, 10V 100UF M
CV41	76109103	CERAMIC CHIP, 50V B 0.01UF K
CV43	76105330	CERAMIC CHIP, 50V CH 33PF J
CV44	76105270	CERAMIC CHIP, 50V CH 27PF J
CV45	76105220	CERAMIC CHIP, 50V CH 22PF J
CV61	76092795	CERAMIC CHIP, 6.3V B 2.2UF K
CV62	76092795	CERAMIC CHIP, 6.3V B 2.2UF K
CV63	76794100	ELECTROLYTIC, 16V 10UF M
CV64	76794471	ELECTROLYTIC, 16V 470UF M
CV65	76794101	ELECTROLYTIC, 16V 100UF M
CV66	76100104	CERAMIC CHIP, 25V F 0.1UF Z
CV67	76092795	CERAMIC CHIP, 6.3V B 2.2UF K
CV71	76794100	ELECTROLYTIC, 16V 10UF M
CV72	76794100	ELECTROLYTIC, 16V 10UF M
CV74	76794100	ELECTROLYTIC, 16V 10UF M
CV75	76794100	ELECTROLYTIC, 16V 10UF M
CV76	76794100	ELECTROLYTIC, 16V 10UF M
CV77	76794100	ELECTROLYTIC, 16V 10UF M
CV78	76109103	CERAMIC CHIP, 50V B 0.01UF K
CV80	76793471	ELECTROLYTIC, 10V 470UF M
CV87	76109103	CERAMIC CHIP, 50V B 0.01UF K
CV200	76794100	ELECTROLYTIC, 16V 10UF M
CV201	76794100	ELECTROLYTIC, 16V 10UF M
CV202	76085981	ELECTROLYTIC, NP, 16V 10UF M 11L
CV203	76109103	CERAMIC CHIP, 50V B 0.01UF K

RESISTORS		
R103	76011101	CHIP, 1/20W 100 OHM J
R104	76011103	CHIP, 1/20W 10K OHM J
R105	76011273	CHIP, 1/20W 27K OHM J
R107	76000445	CHIP JUMPER, 1608TYPE
R108	76000445	CHIP JUMPER, 1608TYPE
R110	76011682	CHIP, 1/20W 6.8K OHM J
R114	76000445	CHIP JUMPER, 1608TYPE
R161	76011102	CHIP, 1/20W 1K OHM J
R165	76011392	CHIP, 1/20W 3.9K OHM J
R166	76011472	CHIP, 1/20W 4.7K OHM J
R167	76011101	CHIP, 1/20W 100 OHM J
R168	76011101	CHIP, 1/20W 100 OHM J
R601	76011272	CHIP, 1/20W 2.7K OHM J
R602	76011272	CHIP, 1/20W 2.7K OHM J
R603	76011152	CHIP, 1/20W 1.5K OHM J
R604	76011152	CHIP, 1/20W 1.5K OHM J
R609	76366229	CARBON FILM, 1/6W 2.2 OHM J
R610	76366229	CARBON FILM, 1/6W 2.2 OHM J
R611	76011103	CHIP, 1/20W 10K OHM J
R612	76011222	CHIP, 1/20W 2.2K OHM J
R613	76011223	CHIP, 1/20W 22K OHM J
R614	76011223	CHIP, 1/20W 22K OHM J
R661	76011102	CHIP, 1/20W 1K OHM J
R662	76011562	CHIP, 1/20W 5.6K OHM J
R663	76011822	CHIP, 1/20W 8.2K OHM J
R665	76011223	CHIP, 1/20W 22K OHM J
R666	76011473	CHIP, 1/20W 47K OHM J
R667	76011223	CHIP, 1/20W 22K OHM J
R668	76011473	CHIP, 1/20W 47K OHM J
R671	76011102	CHIP, 1/20W 1K OHM J
R672	76011562	CHIP, 1/20W 5.6K OHM J
R673	76011822	CHIP, 1/20W 8.2K OHM J
R674	76011472	CHIP, 1/20W 4.7K OHM J
R676	76011104	CHIP, 1/20W 100K OHM J
R677	76011104	CHIP, 1/20W 100K OHM J
R683	76011223	CHIP, 1/20W 22K OHM J
R684	76011223	CHIP, 1/20W 22K OHM J
R687	76011103	CHIP, 1/20W 10K OHM J
R688	76011224	CHIP, 1/20W 220K OHM J
R697	76553152	OXIDE METAL FILM, 1W 1.5K OHM J
R698	76011103	CHIP, 1/20W 10K OHM J

Location No.	Parts No.	Description
R699	76011103	CHIP, 1/20W 10K OHM J
R803	76011333	CHIP, 1/20W 33K OHM J
R805	76120001	CEMENT RES 141C 2.1W 1R8 K
R807	76011223	CHIP, 1/20W 22K OHM J
R808	76552470	OXIDE METAL FILM, 1/2W 47 OHM J
R809	76321689	OXIDE METAL FILM, 1/2W 6.8 OHM J
R810	76382150	OXIDE METAL FILM, 1W 15 OHM J
R811	76552820	OXIDE METAL FILM, 1/2W 82 OHM J
R812	76552390	OXIDE METAL FILM, 1/2W 39 OHM J
R813	76366150	CARBON FILM, 1/6W 15 OHM J
R814	76871473	CHIP, 1/8W 47K OHM J
R815	76552100	OXIDE METAL FILM, 1/2W 10 OHM J
R816	76011102	CHIP, 1/20W 1K OHM J
R817	76871473	CHIP, 1/8W 47K OHM J
R818	76871473	CHIP, 1/8W 47K OHM J
R819	76871473	CHIP, 1/8W 47K OHM J
R820	76871473	CHIP, 1/8W 47K OHM J
R821	76871105	CHIP, 1/8W 1M OHM J
R822	76871105	CHIP, 1/8W 1M OHM J
R823	76871105	CHIP, 1/8W 1M OHM J
R824	76871105	CHIP, 1/8W 1M OHM J
R825	76011104	CHIP, 1/20W 100K OHM J
R826	76011473	CHIP, 1/20W 47K OHM J
R827	76383473	OXIDE METAL FILM, 2W 47K OHM J
R828	76011104	CHIP, 1/20W 100K OHM J
R829	76011822	CHIP, 1/20W 8.2K OHM J
R830	76011822	CHIP, 1/20W 8.2K OHM J
R840	76552470	OXIDE METAL FILM, 1/2W 47 OHM J
R841	76011103	CHIP, 1/20W 10K OHM J
R843	76011333	CHIP, 1/20W 33K OHM J
R844	76011103	CHIP, 1/20W 10K OHM J
R845	76011332	CHIP, 1/20W 3.3K OHM J
R846	76011103	CHIP, 1/20W 10K OHM J
R847	76011153	CHIP, 1/20W 15K OHM J
R848	76011332	CHIP, 1/20W 3.3K OHM J
R849	76011103	CHIP, 1/20W 10K OHM J
R850	76011472	CHIP, 1/20W 4.7K OHM J
R851	76011333	CHIP, 1/20W 33K OHM J
R852	76011102	CHIP, 1/20W 1K OHM J
R871	76998332	CHIP, 1/16W 3.3K OHM
R872	76998103	CHIP, 1/16W 10K OHM
R873	76011100	CHIP, 1/20W 10 OHM J
R874	76011102	CHIP, 1/20W 1K OHM J
R875	76011471	CHIP, 1/20W 470 OHM J
R876	76011102	CHIP, 1/20W 1K OHM J
R877	76011471	CHIP, 1/20W 470 OHM J
R880	76552102	OXIDE METAL FILM, 1/2W 1K OHM J
△ R899	76005014	METAL FILM, 1W 8.2M OHM J
R8910	76998123	CHIP, 1/16W 12K OHM
R8911	76998391	CHIP, 1/16W 390 OHM
R8912	76998102	CHIP, 1/16W 1K OHM
R8921	76011123	CHIP, 1/20W 12K OHM J
R8922	76011182	CHIP, 1/20W 1.8K OHM J
R8923	76011472	CHIP, 1/20W 4.7K OHM J
R8924	76011103	CHIP, 1/20W 10K OHM J
R8931	76011123	CHIP, 1/20W 12K OHM J
R8932	76011182	CHIP, 1/20W 1.8K OHM J
R8933	76011472	CHIP, 1/20W 4.7K OHM J
R8934	76011103	CHIP, 1/20W 10K OHM J
R8950	76011821	CHIP, 1/20W 820 OHM J
R8951	76011473	CHIP, 1/20W 47K OHM J
R8952	76011102	CHIP, 1/20W 1K OHM J
R8953	76011333	CHIP, 1/20W 33K OHM J
R8954	76011333	CHIP, 1/20W 33K OHM J
R8955	76011472	CHIP, 1/20W 4.7K OHM J
R8956	76011681	CHIP, 1/20W 680 OHM J
R8960	76011334	CHIP, 1/20W 330K OHM J
R8961	76011223	CHIP, 1/20W 22K OHM J
R8962	76011223	CHIP, 1/20W 22K OHM J
R8963	76011102	CHIP, 1/20W 1K OHM J
R8964	76011103	CHIP, 1/20W 10K OHM J
RA44	76011105	CHIP, 1/20W 1M OHM J
RA48	76011105	CHIP, 1/20W 1M OHM J
RA51	76011105	CHIP, 1/20W 1M OHM J
RA53	76011105	CHIP, 1/20W 1M OHM J
RA55	76011105	CHIP, 1/20W 1M OHM J

Location No.	Parts No.	Description
RA57	76011105	CHIP, 1/20W 1M OHM J
RA61	76011222	CHIP, 1/20W 2.2K OHM J
RA62	76011222	CHIP, 1/20W 2.2K OHM J
RA63	76011222	CHIP, 1/20W 2.2K OHM J
RA64	76011222	CHIP, 1/20W 2.2K OHM J
RA65	76011222	CHIP, 1/20W 2.2K OHM J
RA66	76011222	CHIP, 1/20W 2.2K OHM J
RA67	76011222	CHIP, 1/20W 2.2K OHM J
RA68	76011222	CHIP, 1/20W 2.2K OHM J
RA71	76011103	CHIP, 1/20W 10K OHM J
RA72	76011223	CHIP, 1/20W 22K OHM J
RA73	76011683	CHIP, 1/20W 68K OHM J
RA75	76011103	CHIP, 1/20W 10K OHM J
RA76	76011223	CHIP, 1/20W 22K OHM J
RA81	76011104	CHIP, 1/20W 100K OHM J
RA82	76011104	CHIP, 1/20W 100K OHM J
RA83	76011104	CHIP, 1/20W 100K OHM J
RA84	76011104	CHIP, 1/20W 100K OHM J
RA85	76011104	CHIP, 1/20W 100K OHM J
RA86	76011104	CHIP, 1/20W 100K OHM J
RA87	76011104	CHIP, 1/20W 100K OHM J
RA88	76011104	CHIP, 1/20W 100K OHM J
RA91	76011623	CHIP, 1/20W 62K OHM J
RA94	76000445	CHIP JUMPER, 1608TYPE
RA95	76011623	CHIP, 1/20W 62K OHM J
RA98	76000445	CHIP JUMPER, 1608TYPE
RB15	76366471	CARBON FILM, 1/6W 470 OHM J
RB19	76366470	CARBON FILM, 1/6W 47 OHM J
RB51	76366224	CARBON FILM, 1/6W 220K OHM J
RB52	76366123	CARBON FILM, 1/6W 12K OHM J
RB53	76366123	CARBON FILM, 1/6W 12K OHM J
RB54	76366123	CARBON FILM, 1/6W 12K OHM J
RB55	76366224	CARBON FILM, 1/6W 220K OHM J
RB56	76366151	CARBON FILM, 1/6W 150 OHM J
RB57	76366103	CARBON FILM, 1/6W 10K OHM J
RB58	76366103	CARBON FILM, 1/6W 10K OHM J
RB59	76366122	CARBON FILM, 1/6W 1.2K OHM J
RB60	76366224	CARBON FILM, 1/6W 220K OHM J
RB61	76366100	CARBON FILM, 1/6W 10 OHM J
RB62	76366272	CARBON FILM, 1/6W 2.7K OHM J
RB63	76366271	CARBON FILM, 1/6W 270 OHM J
RB67	76366221	CARBON FILM, 1/6W 220 OHM J
RB69	76366272	CARBON FILM, 1/6W 2.7K OHM J
RB70	76366331	CARBON FILM, 1/6W 330 OHM J
RB81	76011473	CHIP, 1/20W 47K OHM J @U104
	76011222	CHIP, 1/20W 2.2K OHM J @UA06
RB82	76011471	CHIP, 1/20W 470 OHM J
RB83	76011102	CHIP, 1/20W 1K OHM J
RB84	76011473	CHIP, 1/20W 47K OHM J
RB92	76011473	CHIP, 1/20W 47K OHM J
RB93	76011102	CHIP, 1/20W 1K OHM J
RB502	76011332	CHIP, 1/20W 3.3K OHM J
RB503	76011332	CHIP, 1/20W 3.3K OHM J
RB504	76366104	CARBON FILM, 1/6W 100K OHM J
RB505	76366101	CARBON FILM, 1/6W 100 OHM J
RB506	76366390	CARBON FILM, 1/6W 39 OHM J
RB516	76011472	CHIP, 1/20W 4.7K OHM J
RB517	76011472	CHIP, 1/20W 4.7K OHM J
RB518	76011101	CHIP, 1/20W 100 OHM J
RB519	76011472	CHIP, 1/20W 4.7K OHM J
RB520	76011472	CHIP, 1/20W 4.7K OHM J
RB521	76011472	CHIP, 1/20W 4.7K OHM J
RB522	76011472	CHIP, 1/20W 4.7K OHM J
RB523	76011472	CHIP, 1/20W 4.7K OHM J
RB524	76011472	CHIP, 1/20W 4.7K OHM J
RB525	76011102	CHIP, 1/20W 1K OHM J
RB526	76011103	CHIP, 1/20W 10K OHM J
RB527	76011103	CHIP, 1/20W 10K OHM J
RB528	76011472	CHIP, 1/20W 4.7K OHM J
RB529	76011472	CHIP, 1/20W 4.7K OHM J
RB554	76011101	CHIP, 1/20W 100 OHM J
RB555	76011103	CHIP, 1/20W 10K OHM J
RB556	76011101	CHIP, 1/20W 100 OHM J
RB557	76011103	CHIP, 1/20W 10K OHM J
RB558	76366223	CARBON FILM, 1/6W 22K OHM J
RB559	76366223	CARBON FILM, 1/6W 22K OHM J

Location No.	Parts No.	Description
RB560	76011101	CHIP, 1/20W 100 OHM J
RB561	76011472	CHIP, 1/20W 4.7K OHM J
RB562	76366104	CARBON FILM, 1/6W 100K OHM J
RB563	76366390	CARBON FILM, 1/6W 39 OHM J
RB565	76366101	CARBON FILM, 1/6W 100 OHM J
RB566	76011102	CHIP, 1/20W 1K OHM J
RB567	76366223	CARBON FILM, 1/6W 22K OHM J
RB576	76011153	CHIP, 1/20W 15K OHM J
RC01	76011101	CHIP, 1/20W 100 OHM J @U104
	76011223	CHIP, 1/20W 22K OHM J @UC01
RC02	76011101	CHIP, 1/20W 100 OHM J @U104
	76011220	CHIP, 1/20W 22 OHM J @UC01
RC03	76011101	CHIP, 1/20W 100 OHM J @U104
	76011220	CHIP, 1/20W 22 OHM J @UC01
RC04	76011101	CHIP, 1/20W 100 OHM J @U104
	76011220	CHIP, 1/20W 22 OHM J @UC01
RC05	76011101	CHIP, 1/20W 100 OHM J @U104
	76011220	CHIP, 1/20W 22 OHM J @UC01
RC06	76011101	CHIP, 1/20W 100 OHM J @U104
	76011220	CHIP, 1/20W 22 OHM J @UC01
RC07	76011101	CHIP, 1/20W 100 OHM J @U104
	76011220	CHIP, 1/20W 22 OHM J @UC01
RC08	76011101	CHIP, 1/20W 100 OHM J @U104
	76011220	CHIP, 1/20W 22 OHM J @UC01
RC09	76011101	CHIP, 1/20W 100 OHM J @U104
	76011270	CHIP, 1/20W 27 OHM J @UC01
RC10	76011101	CHIP, 1/20W 100 OHM J @U104
	76011270	CHIP, 1/20W 27 OHM J @UC01
RC11	76011101	CHIP, 1/20W 100 OHM J @U104
	76011334	CHIP, 1/20W 330K OHM J @UC01
RC12	76011101	CHIP, 1/20W 100 OHM J @U104
	76011103	CHIP, 1/20W 10K OHM J @UC01
RC13	76011101	CHIP, 1/20W 100 OHM J @U104
	76000824	CHIP JUMPER, 2125TYPE @UC01
RC14	76011101	CHIP, 1/20W 100 OHM J @U104
	76000824	CHIP JUMPER, 2125TYPE @UC01
RC15	76000824	CHIP JUMPER, 2125TYPE
RC16	76011103	CHIP, 1/20W 10K OHM J
RC17	76000824	CHIP JUMPER, 2125TYPE
RC18	76000824	CHIP JUMPER, 2125TYPE
RC19	76000824	CHIP JUMPER, 2125TYPE
RC20	76000824	CHIP JUMPER, 2125TYPE
RC21	76011103	CHIP, 1/20W 10K OHM J
RC22	76011103	CHIP, 1/20W 10K OHM J
RC23	76011103	CHIP, 1/20W 10K OHM J
RC24	76011103	CHIP, 1/20W 10K OHM J
RC25	76011103	CHIP, 1/20W 10K OHM J
RC26	76011103	CHIP, 1/20W 10K OHM J
RC27	76011103	CHIP, 1/20W 10K OHM J
RC28	76011103	CHIP, 1/20W 10K OHM J
RC32	76011331	CHIP, 1/20W 330 OHM J
RC33	76011103	CHIP, 1/20W 10K OHM J
RC34	76011331	CHIP, 1/20W 330 OHM J
RC35	76011103	CHIP, 1/20W 10K OHM J
RC36	76011331	CHIP, 1/20W 330 OHM J
RC37	76011103	CHIP, 1/20W 10K OHM J
RC38	76011331	CHIP, 1/20W 330 OHM J
RC39	76011103	CHIP, 1/20W 10K OHM J
RC40	76011102	CHIP, 1/20W 1K OHM J
RC41	76011105	CHIP, 1/20W 1M OHM J
RC49	76011103	CHIP, 1/20W 10K OHM J
RC50	76011123	CHIP, 1/20W 12K OHM J
RC51	76011103	CHIP, 1/20W 10K OHM J
RC52	76011103	CHIP, 1/20W 10K OHM J
RC53	76011103	CHIP, 1/20W 10K OHM J
RC54	76011220	CHIP, 1/20W 22 OHM J
RC55	76011103	CHIP, 1/20W 10K OHM J
RC61	76011564	CHIP, 1/20W 560K OHM J
RC62	76011103	CHIP, 1/20W 10K OHM J
RE08	76554683	OXIDE RES 2W 68K J
RE14	76011472	CHIP, 1/20W 4.7K OHM J
RE15	76011102	CHIP, 1/20W 1K OHM J
RE16	76382221	OXIDE METAL FILM, 1W 220 OHM J
RE17	76011103	CHIP, 1/20W 10K OHM J
RE19	76011183	CHIP, 1/20W 18K OHM J
RE20	76011333	CHIP, 1/20W 33K OHM J

Location No.	Parts No.	Description
RE21	76011103	CHIP, 1/20W 10K OHM J
RE22	76011103	CHIP, 1/20W 10K OHM J
RE23	76011473	CHIP, 1/20W 47K OHM J
RE24	76011103	CHIP, 1/20W 10K OHM J
RE25	76011333	CHIP, 1/20W 33K OHM J
RE26	76011103	CHIP, 1/20W 10K OHM J
RE27	76011103	CHIP, 1/20W 10K OHM J
RE28	76011473	CHIP, 1/20W 47K OHM J
RE29	76011103	CHIP, 1/20W 10K OHM J
RE30	76998102	CHIP, 1/16W 1K OHM
RE31	76998152	CHIP, 1/16W 1.5K OHM D
RE32	76998181	CHIP, 1/16W 180 OHM
RE33	76011102	CHIP, 1/20W 1K OHM J
RE34	76011473	CHIP, 1/20W 47K OHM J
RE35	76011103	CHIP, 1/20W 10K OHM J
RE36	76011103	CHIP, 1/20W 10K OHM J
RE37	76011333	CHIP, 1/20W 33K OHM J
RE38	76998102	CHIP, 1/16W 1K OHM
RE39	76998152	CHIP, 1/16W 1.5K OHM D
RE40	76998273	CHIP, 1/16W 27K OHM
RE41	76998823	CHIP, 1/16W 82K OHM
RE42	76011103	CHIP, 1/20W 10K OHM J
RE43	76011223	CHIP, 1/20W 22K OHM J
RE44	76011103	CHIP, 1/20W 10K OHM J
RE45	76011223	CHIP, 1/20W 22K OHM J
RE47	76998333	CHIP, 1/16W 33K OHM
RE48	76998104	CHIP, 1/16W 100K OHM D
RE49	76998102	CHIP, 1/16W 1K OHM
RE50	76998181	CHIP, 1/16W 180 OHM
RE51	76011102	CHIP, 1/20W 1K OHM J
RE52	76011333	CHIP, 1/20W 33K OHM J
RE53	76011103	CHIP, 1/20W 10K OHM J
RE54	76011103	CHIP, 1/20W 10K OHM J
RE55	76011333	CHIP, 1/20W 33K OHM J
RE56	76998153	CHIP, 1/16W 15K OHM
RE57	76998823	CHIP, 1/16W 82K OHM
RE58	76998123	CHIP, 1/16W 12K OHM
RE59	76011332	CHIP, 1/20W 3.3K OHM J
RE61	76382473	OXIDE METAL FILM, 1W 47K OHM J
RE62	76322688	OXIDE METAL FILM, 1W 0.68 OHM J
RE63	76322688	OXIDE METAL FILM, 1W 0.68 OHM J
RE64	76381221	OXIDE METAL FILM, 1/2W 220 OHM J
RE65	76366102	CARBON FILM, 1/6W 1K OHM J
RE66	76366102	CARBON FILM, 1/6W 1K OHM J
RE71	76310829	OXIDE METAL FILM, 1/2W 8.2 OHM J
RE72	76552222	OXIDE METAL FILM, 1/2W 2.2K OHM J
RE73	76366102	CARBON FILM, 1/6W 1K OHM J
RE81	76998821	CHIP, 1/16W 820 OHM
RE82	76998103	CHIP, 1/16W 10K OHM
RE83	76998682	CHIP, 1/16W 6.8K OHM D
RE84	76011471	CHIP, 1/20W 470 OHM J
RE85	76011222	CHIP, 1/20W 2.2K OHM J
RE86	76011102	CHIP, 1/20W 1K OHM J
RE89	76011223	CHIP, 1/20W 22K OHM J
RE90	76011103	CHIP, 1/20W 10K OHM J
RE91	76011333	CHIP, 1/20W 33K OHM J
RE92	76011104	CHIP, 1/20W 100K OHM J
RE93	76011223	CHIP, 1/20W 22K OHM J
RE94	76011103	CHIP, 1/20W 10K OHM J
RE95	76382222	OXIDE METAL FILM, 1W 2.2K OHM J
RE96	76011102	CHIP, 1/20W 1K OHM J
RE97	76382101	OXIDE METAL FILM, 1W 100 OHM J
RE98	76011103	CHIP, 1/20W 10K OHM J
RE99	76011472	CHIP, 1/20W 4.7K OHM J
RF07	76011122	CHIP, 1/20W 1.2K OHM J
RF08	76011153	CHIP, 1/20W 15K OHM J
RF09	76011103	CHIP, 1/20W 10K OHM J
RF10	76998123	CHIP, 1/16W 12K OHM
RF11	76998104	CHIP, 1/16W 100K OHM D
RF12	76998473	CHIP, 1/16W 47K OHM
RF13	76011152	CHIP, 1/20W 1.5K OHM J
RF14	76011474	CHIP, 1/20W 470K OHM J
RF15	76011682	CHIP, 1/20W 6.8K OHM J
RF18	76998223	CHIP, 1/16W 22K OHM
RF19	76011471	CHIP, 1/20W 470 OHM J
RF20	76998682	CHIP, 1/16W 6.8K OHM D

Location No.	Parts No.	Description
RF21	76998683	CHIP, 1/16W 68K OHM D
RF22	76998473	CHIP, 1/16W 47K OHM
RF23	76011474	CHIP, 1/20W 470K OHM J
RF24	76998103	CHIP, 1/16W 10K OHM
RF25	76998153	CHIP, 1/16W 15K OHM
RF26	76011682	CHIP, 1/20W 6.8K OHM J
RF27	76011332	CHIP, 1/20W 3.3K OHM J
RF29	76011332	CHIP, 1/20W 3.3K OHM J
RF33	76011330	CHIP, 1/20W 33 OHM J
RF34	76011330	CHIP, 1/20W 33 OHM J
RF35	76011684	CHIP, 1/20W 680K OHM J
RF90	76382330	OXIDE METAL FILM, 1W 33 OHM J
RS01	76011562	CHIP, 1/20W 5.6K OHM J
RS02	76011562	CHIP, 1/20W 5.6K OHM J
RS03	76011562	CHIP, 1/20W 5.6K OHM J
RS04	76011562	CHIP, 1/20W 5.6K OHM J
RS05	76011562	CHIP, 1/20W 5.6K OHM J
RS06	76011562	CHIP, 1/20W 5.6K OHM J
RS07	76011562	CHIP, 1/20W 5.6K OHM J
RS08	76011562	CHIP, 1/20W 5.6K OHM J
RS09	76011562	CHIP, 1/20W 5.6K OHM J
RS10	76011562	CHIP, 1/20W 5.6K OHM J
RS11	76011562	CHIP, 1/20W 5.6K OHM J
RS12	76011562	CHIP, 1/20W 5.6K OHM J
RS13	76011562	CHIP, 1/20W 5.6K OHM J
RS14	76011562	CHIP, 1/20W 5.6K OHM J
RS15	76011562	CHIP, 1/20W 5.6K OHM J
RS16	76011562	CHIP, 1/20W 5.6K OHM J
RS17	76011562	CHIP, 1/20W 5.6K OHM J
RS18	76011562	CHIP, 1/20W 5.6K OHM J
RS19	76011562	CHIP, 1/20W 5.6K OHM J
RS20	76011562	CHIP, 1/20W 5.6K OHM J
RS21	76011562	CHIP, 1/20W 5.6K OHM J
RS22	76011562	CHIP, 1/20W 5.6K OHM J
RS23	76011101	CHIP, 1/20W 100 OHM J
RS24	76011101	CHIP, 1/20W 100 OHM J
RS25	76011101	CHIP, 1/20W 100 OHM J
RS26	76011101	CHIP, 1/20W 100 OHM J
RS27	76011101	CHIP, 1/20W 100 OHM J
RS28	76011101	CHIP, 1/20W 100 OHM J
RS29	76011682	CHIP, 1/20W 6.8K OHM J
RS30	76011182	CHIP, 1/20W 1.8K OHM J
RS31	76011100	CHIP, 1/20W 10 OHM J
RS32	76011221	CHIP, 1/20W 220 OHM J
RS33	76011222	CHIP, 1/20W 2.2K OHM J
RS34	76011221	CHIP, 1/20W 220 OHM J
RS35	76011222	CHIP, 1/20W 2.2K OHM J
RS37	76011101	CHIP, 1/20W 100 OHM J
RS38	76011101	CHIP, 1/20W 100 OHM J
RS41	76011821	CHIP, 1/20W 820 OHM J
RS42	76011821	CHIP, 1/20W 820 OHM J
RS43	76011223	CHIP, 1/20W 22K OHM J
RS44	76011223	CHIP, 1/20W 22K OHM J
RS45	76011104	CHIP, 1/20W 100K OHM J
RS46	76011104	CHIP, 1/20W 100K OHM J
RS47	76011222	CHIP, 1/20W 2.2K OHM J
RV10	76011222	CHIP, 1/20W 2.2K OHM J
RV11	76011222	CHIP, 1/20W 2.2K OHM J
RV12	76011222	CHIP, 1/20W 2.2K OHM J
RV20	76366750	CARBON FILM, 1/6W 75 OHM J
RV21	76366750	CARBON FILM, 1/6W 75 OHM J
RV22	76366750	CARBON FILM, 1/6W 75 OHM J
RV23	76366101	CARBON FILM, 1/6W 100 OHM J
RV33	76011750	CHIP, 1/20W 75 OHM J
RV34	76011750	CHIP, 1/20W 75 OHM J
RV35	76011750	CHIP, 1/20W 75 OHM J
RV36	76011750	CHIP, 1/20W 75 OHM J
RV37	76011750	CHIP, 1/20W 75 OHM J
RV40	76011750	CHIP, 1/20W 75 OHM J
RV41	76011391	CHIP, 1/20W 390 OHM J
RV42	76011331	CHIP, 1/20W 330 OHM J
RV44	76011332	CHIP, 1/20W 3.3K OHM J
RV45	76000445	CHIP JUMPER, 1608TYPE
RV46	76011100	CHIP, 1/20W 10 OHM J
RV47	76011100	CHIP, 1/20W 10 OHM J
RV51	76011750	CHIP, 1/20W 75 OHM J

Location No.	Parts No.	Description
RV52	76011750	CHIP, 1/20W 75 OHM J
RV53	76011750	CHIP, 1/20W 75 OHM J
RV54	76011750	CHIP, 1/20W 75 OHM J
RV55	76011750	CHIP, 1/20W 75 OHM J
RV56	76011750	CHIP, 1/20W 75 OHM J
RV61	76011101	CHIP, 1/20W 100 OHM J
RV62	76011101	CHIP, 1/20W 100 OHM J
RV63	76011101	CHIP, 1/20W 100 OHM J
RV64	76011101	CHIP, 1/20W 100 OHM J
RV65	76011101	CHIP, 1/20W 100 OHM J
RV66	76011750	CHIP, 1/20W 75 OHM J
RV160	76011101	CHIP, 1/20W 100 OHM J
RV161	76011101	CHIP, 1/20W 100 OHM J
RV162	76011101	CHIP, 1/20W 100 OHM J
RV163	76011101	CHIP, 1/20W 100 OHM J
RV164	76011101	CHIP, 1/20W 100 OHM J
RV165	76011101	CHIP, 1/20W 100 OHM J
RV166	76011681	CHIP, 1/20W 680 OHM J
RV167	76011681	CHIP, 1/20W 680 OHM J
RV168	76011681	CHIP, 1/20W 680 OHM J
RV169	76011101	CHIP, 1/20W 100 OHM J
RV200	76011101	CHIP, 1/20W 100 OHM J
RV201	76011101	CHIP, 1/20W 100 OHM J
RV202	76011102	CHIP, 1/20W 1K OHM J
GA89	76000445	CHIP JUMPER, 1608TYPE
GA90	76000445	CHIP JUMPER, 1608TYPE
GR001	76000576	CHIP JUMPER, 3216TYPE
GR002	76000576	CHIP JUMPER, 3216TYPE
GR02	76000445	CHIP JUMPER, 1608TYPE
GR03	76000445	CHIP JUMPER, 1608TYPE
GR04	76000445	CHIP JUMPER, 1608TYPE
GR10	76000445	CHIP JUMPER, 1608TYPE
GR11	76000445	CHIP JUMPER, 1608TYPE
GR12	76000445	CHIP JUMPER, 1608TYPE
GR25	76000445	CHIP JUMPER, 1608TYPE
GR26	76000445	CHIP JUMPER, 1608TYPE
GR27	76000445	CHIP JUMPER, 1608TYPE
GR28	76000445	CHIP JUMPER, 1608TYPE
GR30	76000445	CHIP JUMPER, 1608TYPE
GR112	76000445	CHIP JUMPER, 1608TYPE
GR113	76000445	CHIP JUMPER, 1608TYPE
GR120	76000445	CHIP JUMPER, 1608TYPE
GR121	76000445	CHIP JUMPER, 1608TYPE
GR122	76000445	CHIP JUMPER, 1608TYPE
GR123	76000445	CHIP JUMPER, 1608TYPE
GR603	76000445	CHIP JUMPER, 1608TYPE
GR604	76000445	CHIP JUMPER, 1608TYPE
GR612	76000445	CHIP JUMPER, 1608TYPE
GR613	76000445	CHIP JUMPER, 1608TYPE
GRS02	76000445	CHIP JUMPER, 1608TYPE
JR001	76000445	CHIP JUMPER, 1608TYPE
JR002	76000445	CHIP JUMPER, 1608TYPE
JR003	76000445	CHIP JUMPER, 1608TYPE
JR004	76000445	CHIP JUMPER, 1608TYPE
JR005	76000445	CHIP JUMPER, 1608TYPE
JR006	76000445	CHIP JUMPER, 1608TYPE
JR007	76000445	CHIP JUMPER, 1608TYPE
JR008	76000445	CHIP JUMPER, 1608TYPE
JR009	76000445	CHIP JUMPER, 1608TYPE
JR010	76000445	CHIP JUMPER, 1608TYPE
JR011	76000445	CHIP JUMPER, 1608TYPE
JR012	76000445	CHIP JUMPER, 1608TYPE
JR013	76000445	CHIP JUMPER, 1608TYPE
JR014	76000445	CHIP JUMPER, 1608TYPE
JR015	76000445	CHIP JUMPER, 1608TYPE
JR016	76000445	CHIP JUMPER, 1608TYPE
JR017	76000445	CHIP JUMPER, 1608TYPE
JR018	76000445	CHIP JUMPER, 1608TYPE
JR019	76000445	CHIP JUMPER, 1608TYPE
JR020	76000445	CHIP JUMPER, 1608TYPE
JR021	76000445	CHIP JUMPER, 1608TYPE
JR022	76000445	CHIP JUMPER, 1608TYPE
JR023	76000445	CHIP JUMPER, 1608TYPE
JR024	76000445	CHIP JUMPER, 1608TYPE
JR025	76000445	CHIP JUMPER, 1608TYPE
JR026	76000445	CHIP JUMPER, 1608TYPE

Location No.	Parts No.	Description
JR027	76000445	CHIP JUMPER, 1608TYPE
ZC01	76019479	CHIP BLOCK, 1/32W 22 OHM J, P-8
ZC02	76019479	CHIP BLOCK, 1/32W 22 OHM J, P-8
ZC03	76019479	CHIP BLOCK, 1/32W 22 OHM J, P-8
ZC04	76019479	CHIP BLOCK, 1/32W 22 OHM J, P-8
ZC05	76019479	CHIP BLOCK, 1/32W 22 OHM J, P-8
ZC06	76019479	CHIP BLOCK, 1/32W 22 OHM J, P-8
ZC07	76019479	CHIP BLOCK, 1/32W 22 OHM J, P-8
ZC08	76019479	CHIP BLOCK, 1/32W 22 OHM J, P-8
ZC09	76019479	CHIP BLOCK, 1/32W 22 OHM J, P-8
ZC10	76019479	CHIP BLOCK, 1/32W 22 OHM J, P-8
ZC11	76019479	CHIP BLOCK, 1/32W 22 OHM J, P-8
ZC12	76019479	CHIP BLOCK, 1/32W 22 OHM J, P-8
ZC13	76019479	CHIP BLOCK, 1/32W 22 OHM J, P-8
ZC16	76019479	CHIP BLOCK, 1/32W 22 OHM J, P-8
ZC18	76019479	CHIP BLOCK, 1/32W 22 OHM J, P-8
ZC19	76019404	CHIP BLOCK, 1/16W 10K OHM J, P-8
ZC21	76019404	CHIP BLOCK, 1/16W 10K OHM J, P-8
ZC22	76019404	CHIP BLOCK, 1/16W 10K OHM J, P-8
ZC23	76019404	CHIP BLOCK, 1/16W 10K OHM J, P-8
COILS & TRANSFORMERS		
L001	23103885	INDUCTOR, CHIP BEAD 3A 22OHM
L002	23103887	INDUCTOR, CHIP BEAD, TEM2130AM
L003	23103887	INDUCTOR, CHIP BEAD, TEM2130AM
L101	23248398	COIL, CHOKE, TLN3278D
L102	23103828	INDUCTOR, BEAD, TEM2121M
L103	23103828	INDUCTOR, BEAD, TEM2121M
L151	23103828	INDUCTOR, BEAD, TEM2121M
L152	23103828	INDUCTOR, BEAD, TEM2121M
L803	23103302	FERRITE CHOKE, TEM2011AH
L804	23103302	FERRITE CHOKE, TEM2011AH
L805	23103302	FERRITE CHOKE, TEM2011AH
L820	23103307	FERRITE CHOKE, TEM2014AA
L821	23103307	FERRITE CHOKE, TEM2014AA
L855	23103302	FERRITE CHOKE, TEM2011AH
L856	23103302	FERRITE CHOKE, TEM2011AH
L857	23103302	FERRITE CHOKE, TEM2011AH
L858	23103302	FERRITE CHOKE, TEM2011AH
L859	23103302	FERRITE CHOKE, TEM2011AH
L860	23103302	FERRITE CHOKE, TEM2011AH
L861	23248442	COIL, CHOKE, TLN3515AH
L862	23248442	COIL, CHOKE, TLN3515AH
L864	23248442	COIL, CHOKE, TLN3515AH
L8920	23289996	COIL, PEAKING, TRF4220AF
L8921	23289996	COIL, PEAKING, TRF4220AF
L8930	23289996	COIL, PEAKING, TRF4220AF
L8931	23289996	COIL, PEAKING, TRF4220AF
L8960	23103828	INDUCTOR, BEAD, TEM2121M
L8961	23103828	INDUCTOR, BEAD, TEM2121M
LB19	23103828	INDUCTOR, BEAD, TEM2121M
LB51	23289972	COIL, PEAKING, TRF4100AC
LC02	23103887	INDUCTOR, CHIP BEAD, TEM2130AM
LC03	23103271	FILTER, EMI 2012 2010HM 0.35A TEM2033AD
LC04	23103271	FILTER, EMI 2012 2010HM 0.35A TEM2033AD
LC05	23103887	INDUCTOR, CHIP BEAD, TEM2130AM
LC06	23103887	INDUCTOR, CHIP BEAD, TEM2130AM
LE08	23103302	FERRITE CHOKE, TEM2011AH
LE30	23289979	COIL, PEAKING, TRF4100AZ
LE31	23246919	COIL, CHOKE 13X8H 33MMH M TLN3586AH
LE32	23246934	COIL, CHOKE 4.5X3.5H 1.0MMHM TLN3601AH
LE33	23103888	INDUCTOR, CHIP BEAD, TEM2131AM
LE34	23289979	COIL, PEAKING, TRF4100AZ
LE35	23246919	COIL, CHOKE 13X8H 33MMH M TLN3586AH
LE36	23246934	COIL, CHOKE 4.5X3.5H 1.0MMHM TLN3601AH
LE37	23103888	INDUCTOR, CHIP BEAD, TEM2131AM
LE38	23103887	INDUCTOR, CHIP BEAD, TEM2130AM
LE40	23103887	INDUCTOR, CHIP BEAD, TEM2130AM
LE59	23103887	INDUCTOR, CHIP BEAD, TEM2130AM
LE61	23103302	FERRITE CHOKE, TEM2011AH
LE64	23103302	FERRITE CHOKE, TEM2011AH
LE81	23103302	FERRITE CHOKE, TEM2011AH
LE82	23103302	FERRITE CHOKE, TEM2011AH
LE83	23103302	FERRITE CHOKE, TEM2011AH
LE84	23103302	FERRITE CHOKE, TEM2011AH
LE85	23248432	COIL, CHOKE, TLN3499AH

Location No.	Parts No.	Description
LE86	23248432	COIL, CHOKE, TLN3499AH
LE87	23248432	COIL, CHOKE, TLN3499AH
LE88	23248445	COIL, CHOKE, TLN3441AH
LE91	23103265	FILTER, CHIP BEAD INDUCTOR TEM2160AM
LE92	23103888	INDUCTOR, CHIP BEAD, TEM2131AM
LE93	23103888	INDUCTOR, CHIP BEAD, TEM2131AM
LE94	23103888	INDUCTOR, CHIP BEAD, TEM2131AM
LE95	23103888	INDUCTOR, CHIP BEAD, TEM2131AM
LF10	23103885	INDUCTOR, CHIP BEAD 3A 22OHM
LF11	23246895	COIL, CHOKE 13X4.6H 33MMH M TLN3561AH
LF12	23246934	COIL, CHOKE 4.5X3.5H 1.0MMHM TLN3601AH
LF13	23103885	INDUCTOR, CHIP BEAD 3A 22OHM
LF21	23246895	COIL, CHOKE 13X4.6H 33MMH M TLN3561AH
LF22	23246934	COIL, CHOKE 4.5X3.5H 1.0MMHM TLN3601AH
LF23	23103885	INDUCTOR, CHIP BEAD 3A 22OHM
LF90	23289983	COIL, PEAKING, TRF4101AZ
LF91	23289983	COIL, PEAKING, TRF4101AZ
LV02	23103314	COIL, FILTER, TEM2028AH
LV03	23103314	COIL, FILTER, TEM2028AH
LV13	23289022	COIL, PEAKING, TRF4100AT
LV17	23289022	COIL, PEAKING, TRF4100AT
LV20	23221156	COIL, PEAKING, TRF4560AJ
LV41	23289024	COIL, PEAKING, TRF4220AT
△ T801	23211839	COIL, LINE FILTER, TRF3209AH
△ T802	23211836	COIL, LINE FILTER, TRF3197AH
△ T862	23217780	TRANSFORMER, CONVERTER TPW3570AS
△ TE01	23211905	COIL, LINE FILTER 26X31H 11MH TRF3228AH
△ TE62	23217781	TRANSFORMER, CONVERTER TPW3571AS
GR605	23103887	INDUCTOR, CHIP BEAD, TEM2130AM
SEMICONDUCTORS		
Q101	23205506	TRANSISTOR, 2SC4081 Q
Q161	23205506	TRANSISTOR, 2SC4081 Q
Q601	23085839	IC, TV SOUND OUT CPP 12PIN TA8216HQ(5)
Q612	23205346	TRANSISTOR, KTA2014Y/P
Q613	23205506	TRANSISTOR, 2SC4081 Q
Q661	23205424	TRANSISTOR, KTC2875B/P
Q662	23205424	TRANSISTOR, KTC2875B/P
Q663	23085575	IC, OP AMP, BA4558
Q664	23205325	TRANSISTOR, RN2404(F)
Q681	23205424	TRANSISTOR, KTC2875B/P
Q682	23205424	TRANSISTOR, KTC2875B/P
Q801	23135080	IC, STRZ4267
Q815	23205347	TRANSISTOR, KTC4075Y/P
Q846	23205347	TRANSISTOR, KTC4075Y/P
Q847	23205347	TRANSISTOR, KTC4075Y/P
Q848	23205347	TRANSISTOR, KTC4075Y/P
Q849	23205346	TRANSISTOR, KTA2014Y/P
Q850	23205347	TRANSISTOR, KTC4075Y/P
Q851	23205346	TRANSISTOR, KTA2014Y/P
△ Q862	23000823	IC, PHOTO COUPLER, TLP421F(GR)
△ Q866	23000823	IC, PHOTO COUPLER, TLP421F(GR)
Q870	23085389	IC, NJM431L
Q891	23009998	IC, BA00JC5WT-V5
Q892	23009998	IC, BA00JC5WT-V5
Q893	23009998	IC, BA00JC5WT-V5
Q894	23085503	IC, OPE AMP, TA75358P
Q8950	23205347	TRANSISTOR, KTC4075Y/P
Q8951	23205347	TRANSISTOR, KTC4075Y/P
Q8952	23205346	TRANSISTOR, KTA2014Y/P
Q8960	23205347	TRANSISTOR, KTC4075Y/P
Q8961	23205347	TRANSISTOR, KTC4075Y/P
QA81	23205329	TRANSISTOR, RN1404(F)
QA82	23205329	TRANSISTOR, RN1404(F)
QA83	23205329	TRANSISTOR, RN1404(F)
QA84	23205329	TRANSISTOR, RN1404(F)
QA85	23205329	TRANSISTOR, RN1404(F)
QA86	23205329	TRANSISTOR, RN1404(F)
QA88	23205329	TRANSISTOR, RN1404(F)
QA89	23205329	TRANSISTOR, RN1404(F)
QA91	23085674	IC, QT240-ISS-G-CA
QA92	23085674	IC, QT240-ISS-G-CA
QA93	23085731	IC, +4.2V 2% REG. SOT-23-5 R1121N421B-TR-FA
QB51	23085527	IC, OPE AMP, M5218AP
QB52	23205499	TRANSISTOR, KTC3198 Y/P
QB53	23205497	TRANSISTOR, KTA1266 Y/P

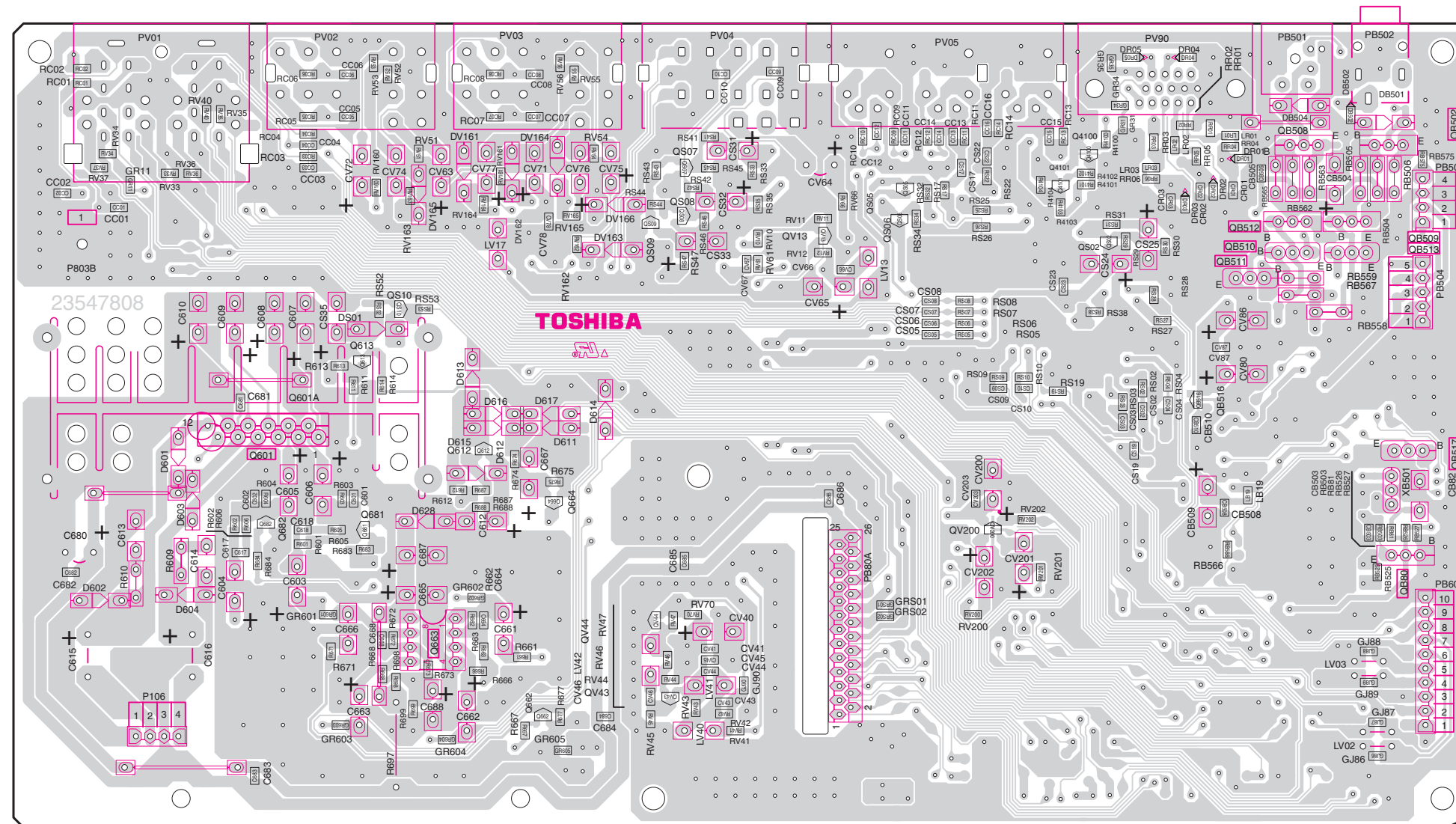
Location No.	Parts No.	Description
QB80	23085600	IC, PST9129
QB81	23205446	TRANSISTOR, 2SC2412K, Q T146
QB84	23205446	TRANSISTOR, 2SC2412K, Q T146
QB501	23085951	IC, BLASTER IC S3C80F9BKZ-SO77
QB502	23205307	TRANSISTOR, 2SA562TM-Y(F)
QB504	23205506	TRANSISTOR, 2SC4081 Q
QB505	23205506	TRANSISTOR, 2SC4081 Q
QB508	23205307	TRANSISTOR, 2SA562TM-Y(F)
QB509	23205337	TRANSISTOR, 2SC2878-A(TEM)
QB510	23205317	TRANSISTOR, RN1204(F)
QB511	23205317	TRANSISTOR, RN1204(F)
QB512	23205337	TRANSISTOR, 2SC2878-A(TEM)
QB513	23205317	TRANSISTOR, RN1204(F)
QB514	23085507	IC, TC4S66F(F)
QB515	23085507	IC, TC4S66F(F)
QB516	23009976	IC, BH33FB1WG-TR
QB517	23205317	TRANSISTOR, RN1204(F)
QC01	23085879	IC, USB2224-NU-05 USB2224-NU-05
QC02	23085121	IC, TC7SH04FU(TE85L,F)
QC03	23205578	TRANSISTOR, RTQ035P02
QC04	23205578	TRANSISTOR, RTQ035P02
QC05	23205578	TRANSISTOR, RTQ035P02
QC06	23205578	TRANSISTOR, RTQ035P02
QC07	23085774	IC, REG PQ033EZ01ZPH
QE01	23135089	IC, HYBRID 650V STR-W6756
QE21	23205346	TRANSISTOR, KTA2014Y/P
QE22	23205347	TRANSISTOR, KTC4075Y/P
QE30	23085454	IC, PQ1CY1032Z
QE31	23205347	TRANSISTOR, KTC4075Y/P
QE32	23205347	TRANSISTOR, KTC4075Y/P
QE33	23085454	IC, PQ1CY1032Z
QE34	23205347	TRANSISTOR, KTC4075Y/P
QE35	23205347	TRANSISTOR, KTC4075Y/P
QE40	23000903	IC, REGULATOR ADJ T0252-5 BA00BC0WFP-E2
QE50	23000903	IC, REGULATOR ADJ T0252-5 BA00BC0WFP-E2
QE51	23205347	TRANSISTOR, KTC4075Y/P
QE52	23205347	TRANSISTOR, KTC4075Y/P
QE53	23000903	IC, REGULATOR ADJ T0252-5 BA00BC0WFP-E2
QE54	23205347	TRANSISTOR, KTC4075Y/P
QE55	23205347	TRANSISTOR, KTC4075Y/P
QE59	23085028	IC, BA90BC0FP-E2
△ QE62	23000823	IC, PHOTO COUPLER, TLP421F(GR)
QE81	23085389	IC, NJM431L
QE93	23205301	TRANSISTOR, 2SA1887(FA,F)
QE94	23205446	TRANSISTOR, 2SC2412K, Q T146
QE95	23205446	TRANSISTOR, 2SC2412K, Q T146
QE96	23205301	TRANSISTOR, 2SA1887(FA,F)
QE97	23205446	TRANSISTOR, 2SC2412K, Q T146
QE98	23085415	IC, BD4746G
QE99	23205347	TRANSISTOR, KTC4075Y/P
QF05	23085415	IC, BD4746G
QF10	23085807	IC, HTSSOP B20 CONTROL BD9851EFV-E2
QF11	23205583	TRANSISTOR, FET RSQ035P03TR
QF21	23205583	TRANSISTOR, FET RSQ035P03TR
QS01	23009916	IC, MM1631AJBE
QS02	23205347	TRANSISTOR, KTC4075Y/P
QS05	23205347	TRANSISTOR, KTC4075Y/P
QS06	23205347	TRANSISTOR, KTC4075Y/P
QS07	23205424	TRANSISTOR, KTC2875B/P
QS08	23205424	TRANSISTOR, KTC2875B/P
QS09	23205325	TRANSISTOR, RN2404(F)
QV12	23085806	IC, 3 IN 1 OUT 75OHM DRIVER MM1228XFBE
QV13	23205346	TRANSISTOR, KTA2014Y/P
QV30	23085352	IC, M52055FP
QV43	23205346	TRANSISTOR, KTA2014Y/P
QV44	23205346	TRANSISTOR, KTA2014Y/P
QV200	23085393	IC, MM1502XN
D601	23357697	DIODE, 1SS133
D602	23357697	DIODE, 1SS133
D603	23357697	DIODE, 1SS133
D604	23357697	DIODE, 1SS133
D611	23357697	DIODE, 1SS133
D612	23357697	DIODE, 1SS133
D613	23357697	DIODE, 1SS133
D614	23357697	DIODE, 1SS133
D615	23357697	DIODE, 1SS133

Location No.	Parts No.	Description
D616	23357697	DIODE, 1SS133
D617	23357697	DIODE, 1SS133
D628	23357865	DIODE, ZENER, MTZJ12B
D801	23357712	DIODE, D5SB60, 4009 F05
D805	23357850	DIODE, ZENER, MTZJ9.1A
D806	23357893	DIODE, ZENER, MTZJ27C
D809	23357905	DIODE, ZENER, MTZJ36C
D810	23357893	DIODE, ZENER, MTZJ27C
D811	23357511	DIODE, AG01A
D812	23357852	DIODE, ZENER, MTZJ9.1C
D813	23357512	DIODE, AL01Z
D815	23357748	DIODE, ZENER, MA8062-M
D840	23357703	DIODE, 1SS355
D841	23357703	DIODE, 1SS355
D842	23357748	DIODE, ZENER, MA8062-M
D843	23362216	DIODE, CHIP VRM=80V IO=50MA DAN202UT106
D855	23362136	DIODE, YG801C04RF119
D857	23362136	DIODE, YG801C04RF119
D859	23362210	DIODE, SCHOTTKY VRM90V 6A RB095T-90
D870	23357703	DIODE, 1SS355
△ D899	76019485	VARISTOR, TNR10V431K
D8950	23362216	DIODE, CHIP VRM=80V IO=50MA DAN202UT106
D8951	23357745	DIODE, ZENER, MA8056-M
D8960	23357506	DIODE, DAP202U
D8961	23357745	DIODE, ZENER, MA8056-M
DA91	23357406	DIODE, ZENER, UDZS5.6B
DA92	23357406	DIODE, ZENER, UDZS5.6B
DB51	23358616	PHOTO DIODE, PIN 900NM HPI-2FER4
DB52	23357697	DIODE, 1SS133
DB54	23357697	DIODE, 1SS133
DB55	23357697	DIODE, 1SS133
DB56	23357697	DIODE, 1SS133
DB81	23358584	DIODE, LED, SML-811UTT86
DB82	23358585	LED, LAMP, SML-810MTT86
DB501	23357697	DIODE, 1SS133
DB504	23357697	DIODE, 1SS133
DC01	23362231	DIODE, NNCD6.8MG-T1
DC02	23362231	DIODE, NNCD6.8MG-T1
DC03	23362231	DIODE, NNCD6.8MG-T1
DC04	23362231	DIODE, NNCD6.8MG-T1
DC05	23362194	DIODE, HIGH SPEED SWITCHING 1SS193(TE85L,F)
DE01	23357711	DIODE, D3SB60, 4109 F05
DE08	23357709	DIODE, RU1P
DE19	23357703	DIODE, 1SS355
DE30	23362215	DIODE, SCHOTTKY VRM45V 6A RB095B-40TL
DE31	23357739	DIODE, ZENER, MA8047-M
DE32	23362211	DIODE, SCHOTTKY VRM35V 6A RB095B-30TL
DE33	23357739	DIODE, ZENER, MA8047-M
DE62	23357900	DIODE, ZENER, MTZJ33B
DE63	23357892	DIODE, ZENER, MTZJ27B
DE64	23357366	DIODE, FR105-B5
DE66	23357842	DIODE, ZENER, MTZJ6.8B
DE71	23357697	DIODE, 1SS133
DE72	23357697	DIODE, 1SS133
DE81	23362208	DIODE, SCHOTTKY VRM45V 6A RB095T-40
DE82	23362209	DIODE, SCHOTTKY VRM60V 6A RB095T-60
DE83	23362210	DIODE, SCHOTTKY VRM90V 6A RB095T-90
DE84	23357366	DIODE, FR105-B5
DE91	23357874	DIODE, ZENER, MTZJ16B
DE92	23357874	DIODE, ZENER, MTZJ16B
DE98	23357703	DIODE, 1SS355
DE99	23357703	DIODE, 1SS355
DF11	23362054	DIODE, RB521S-30
DF12	23362230	DIODE, ZENER VZ=4.7-5.2 PMDS PTZ4.7B TE25
DF15	23362214	DIODE, SCHOTTKY VRM30 IO3.0 RSX301L-30 TE25
DF21	23362054	DIODE, RB521S-30
DF22	23362230	DIODE, ZENER VZ=4.7-5.2 PMDS PTZ4.7B TE25
DF25	23362214	DIODE, SCHOTTKY VRM30 IO3.0 RSX301L-30 TE25
DV161	23357854	DIODE, ZENER, MTZJ10B
DV162	23357854	DIODE, ZENER, MTZJ10B
DV163	23357854	DIODE, ZENER, MTZJ10B
DV164	23357854	DIODE, ZENER, MTZJ10B
DV165	23357854	DIODE, ZENER, MTZJ10B
DV166	23357854	DIODE, ZENER, MTZJ10B
MISCELLANEOUS		

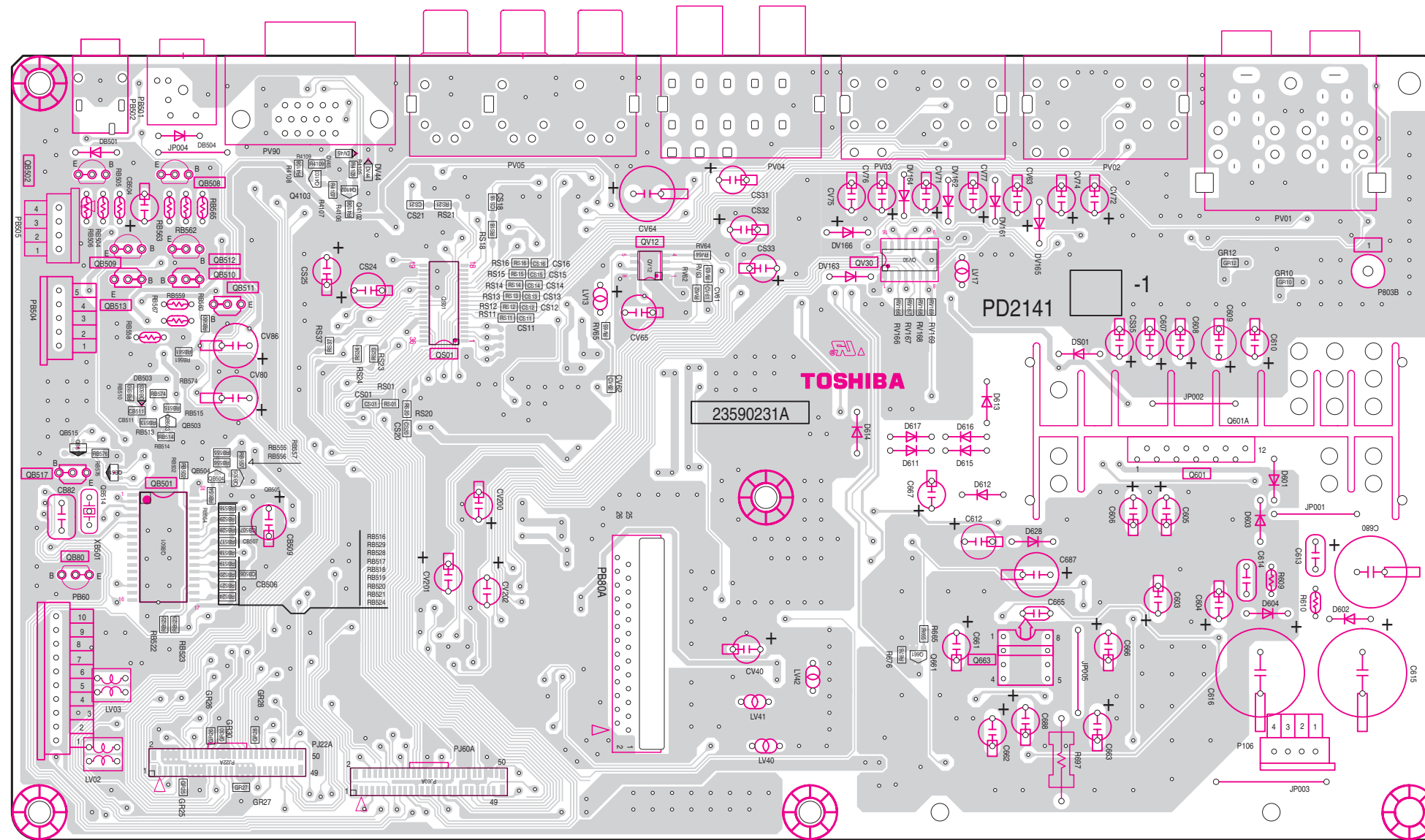
Location No.	Parts No.	Description
A305	23717197	SCREW, THUMB SCREW
A306	23717198	SCREW, THUMB SCREW RETAINER
A516	23717192	SCREW, SCREW, AV BOARD
B230	23738088	SCREW, BTBW3X12ECO
B231	23738088	SCREW, BTBW3X12ECO
B233	23738088	SCREW, BTBW3X12ECO
B235	23738088	SCREW, BTBW3X12ECO
B237	23845859	HOLDER, WIRE, PVC-COAT, L=70MM
B898	23165495	TERMINAL, EARTH PH13 MET31-0332
B899	23165495	TERMINAL, EARTH PH13 MET31-0332
BB01A	23713974	CONNECTOR, BB 100P PLUG 1-5175473-0
BB02A	23713974	CONNECTOR, BB 100P PLUG 1-5175473-0
BB20	23713014	PLUG, B-B 16P 1.5
BB21	23713013	SOCKET, B-B 16P 1.5
BB30	23713014	PLUG, B-B 16P 1.5
BB31	23713013	SOCKET, B-B 16P 1.5
BB41	23713822	SOCKET, B-B 2MM 56P
BB42	23713801	PLUG, B-B 56P 2MM
BB51A	23965241	TAPE, CC #12 10MM L30M
D855B	23717241	SCREW, BITTB3X8ECO
D857B	23717241	SCREW, BITTB3X8ECO
D859B	23717241	SCREW, BITTB3X8ECO
DE81B	23717241	SCREW, BITTB3X8ECO
DE82B	23717241	SCREW, BITTB3X8ECO
DE83B	23717241	SCREW, BITTB3X8ECO
△ F801	23144319	FUSE, CARTRIDGE, 125V 8A, 5.2X20
F801A	23165433	FUSE HOLDER, 5.2
△ F820	23144378	FUSE, RADIAL LEAD SUB-MINIATUR 250V 2A
△ F855	23144715	FUSE, AXIAL 125V 5.0A
△ F857	23144715	FUSE, AXIAL 125V 5.0A
△ F859	23144714	FUSE, AXIAL 125V 4.0A
△ F899	23144326	FUSE, CARTRIDGE, 250V 2A, 5.2X20
F899A	23165433	FUSE HOLDER, 5.2
△ FE01	23144710	FUSE, AXIAL 125V 2.0A
△ FE30	23144709	FUSE, AXIAL 125V 1.5A
△ FE31	23144709	FUSE, AXIAL 125V 1.5A
△ FE32	23144709	FUSE, AXIAL 125V 1.5A
△ FE33	23144710	FUSE, AXIAL 125V 2.0A
△ FE81	23144714	FUSE, AXIAL 125V 4.0A
△ FE82	23144714	FUSE, AXIAL 125V 4.0A
△ FE83	23144714	FUSE, AXIAL 125V 4.0A
△ FE84	23144707	FUSE, AXIAL 125V 630MA
H003	23344525	SWITCH, 2I3O BUNPAI US DIG RSU143
MJ22	23389317	CABLE, FFC P0.5-50-80(62HM95)
MJ60	23389317	CABLE, FFC P0.5-50-80(62HM95)
MT201	23368929	CABLE, PHONO 2C-VV 240MM C4-0769ALI
MT202	23368929	CABLE, PHONO 2C-VV 240MM C4-0769ALI
MV01	23368930	CABLE, MDR 26P 140MM 3M 79162-26M-014-011F
△ P800	23713702	PLUG, 2P 11.88MM W VT
△ P801	23372117	POWER CORD, U/C 125V10A HSV 5 CMC-02P 5
P805	23164965	CONNECTOR, PLUG 4P, W-P3504-#02
P811A	23713713	PLUG, 2P 3.96MM VH
P891	23713761	PLUG, NP 2.5MM G, B10B-EH-F1A
P892	23713763	PLUG, NP 2.5MM G, B12B-EH-F1A
P901	23713754	PLUG, 3P 2.5MM G, B3B-EH-F1-TV4
P902A	23164563	CONNECTOR, PLUG 3P
P903	23713755	PLUG, 4P 2.5MM G, B4B-EH-F1-TV4
P905	23713756	PLUG, 5P 2.5MM G, B5B-EH-F1-TV4
PB22	23713756	PLUG, 5P 2.5MM G, B5B-EH-F1-TV4
PB60	23367070	PLUG, 10P 2.5MM G, JST-EH B10B-EH-F1A
PB80A	23713976	CONNECTOR, BB 26P SOCKET 2-917362-6
PB80B	23713975	CONNECTOR, BB 26P PLUG 2-917360-6
PB501	23023218	JACK, FH13.5 2P STERE SMK LGA6502-0101
PB504	23713756	PLUG, 5P 2.5MM G, B5B-EH-F1-TV4
PB505	23713755	PLUG, 4P 2.5MM G, B4B-EH-F1-TV4
PC01	23713622	CONNECTOR, 2MM 5P SMD B5B-PH-SM4-TBT
PC02	23903251	SOCKET, CFH050-C7-1180
PC02A	23903257	SOCKET, CFHEJT-90-0000
PC03	23903250	SOCKET, CLE9042-0101F
PJ22A	23713421	CONNECTOR, 0.5MM 50P FH12-50S-0.5SV
PJ60A	23713421	CONNECTOR, 0.5MM 50P FH12-50S-0.5SV
PV01	23023094	JACK, PIN 1S6P SMK LAP5120-0205FC
PV02	23365949	JACK, 5P, 1E:OFF+2R:OFF+2L:OFF, JALC @U104
	23023184	JACK, 1S3P, LAP5100-1502F @UV04
PV03	23365949	JACK, 5P, 1E:OFF+2R:OFF+2L:OFF, JALC
PV04	23365920	JACK, 1E:OFF+2R:OFF+2L:OFF JALC JACK 5P

Location No.	Parts No.	Description
PV05	23023439	JACK, PIN 4/4P JALCO YKC21-4672N
PZ01	23713951	CONNECTOR, CONNECT S9B-PH-K-S(LF)
Q601B	23717241	SCREW, BITTB3X8ECO
△ S810	23344522	SWITCH, SPVF11
△ SR81	23146590	RELAY, DLS5D1-O(M)0.25W
△ SR82	23146584	RELAY, DC12V, TV5, DG-3
△ UF02	23125945	DC FAN, D07R-12TL 01B(K) D07R-12TL 01B(K)
W661A	23351323	SPEAKER, 100X100 8-OHM 20W SPK-1471AM
W661B	23351324	SPEAKER, TW 40X40 140-OHM 20W SPK-1472AM
W662A	23351323	SPEAKER, 100X100 8-OHM 20W SPK-1471AM
W662B	23351324	SPEAKER, TW 40X40 140-OHM 20W SPK-1472AM
XB501	23153504	CERAMIC RESONATOR, 8.00MHZ 25OHM
XC01	23153589	CRYSTAL RESONATOR, XTAL 12MHZ
PC BOARD ASSEMBLIES		
* U102	23764252	PC BOARD ASSY, MOTHER 62HM95 PU PD2140A
* U104	23764260	PC BOARD ASSY, BACK AV 62HM95 PU PD2141A-1
* U105	23764261	PC BOARD ASSY, IR BLASTER PU PD2141A-2
* U107	23764265	PC BOARD ASSY, TUNER-RF PU PD2147A
* U801	23764257	PC BOARD ASSY, MAIN POWER PU PD2139A-1
* U802	23764258	PC BOARD ASSY, SUB POWER 62HM95 PU PD2139A-2
* UA03	23764259	PC BOARD ASSY, DOOR SW 62HM95 PU PD2139A-3
* UA06	23764256	PC BOARD ASSY, TOUCH PAD 52HM95 PU PD2144A
* UC01	23764254	PC BOARD ASSY, MULTI CARD 62HM95 PU PD2142A
* UD01	23148434	SIGNAL UNIT, 62HM95 DSB-SUM070A2
* UD02	23148435	MODULE, SEINE 62HM95 DSB-SHU154A-PD2232
* UV04	23764262	PC BOARD ASSY, FRONT AV 62HM95 PU PD2139A-4
TUNER		
△ H001	23321536	TUNER, TIF US HOR IIC PH 864M ENG36A36GF
ACCESSORIES		
A701	23067802	CARTON, CARTON
A703	23946772	PACKING, TOP PACKING
A708	23946769	PACKING, BOTTOM PACKING
A709	23067695	CARTON, BASE TRAY
A710	23946775	PACKING, SUPPORT POST
△ K912	23306627	REMOCON HAND UNIT IR, PTVUSA CT-90233
K913	23306614	REMOCON HAND UNIT
KB01	23000852	REMOCON RECEIVER, PIC-37043TE2
△ Y101E	23566650	OWNERS MANUAL, ENGLISH/FRENCH E/F
Y102	23589650	SHEET, IMPORTANT NOTES NOTES
CABINET PARTS		
△ A025	23532769	COVER, LAMP TUNNEL PURCHASE ASY
△ A026	23940582	PIECE, LAMPDOOR PURCH ASY
△ A101	23533280	COVER, BASE PURCHASE ASSEY
△ A201	23533345	COVER, BEZEL PURCHASE ASM
A204	23532763	COVER, BACK COVER
△ A205	23532784	COVER, BACKCOVER PURCHASE ASSY
A215	23940083	PIECE, PIECE ENCLOSURE,DLE
A220	23451976	PUSH CATCH, CLICK
△ A222	23532885	COVER, PEDESTAL ASSY
A225	23940084	PIECE, STRIKER
A231	23940100	PIECE, PIECE SIDE RIGHT
A232	23940099	PIECE, PIECE SIDE LEFT
△ A271	23405476	OPTICAL ENGINE, LV-672 TB 0D
A278	23084267	BRACKET, SPEED CLIP
△ A401	23533281	COVER, REAR COVER PURCHASE
A421	23532738	COVER, REAR COVER,DLE
A422	23084862	BRACKET, REAR VENT
A661	23940401	PIECE, SPEAKER PLATE L 62HM95
A662	23940402	PIECE, SPEAKER PLATE R 62HM95
E998Z	23311153	EXCHANGE LAMP, PJ-D95-LMP
K501	23311149	SCREEN, LENTICULAR SHEET
K502	23311158	SCREEN
K601	23405455	MIRROR
SK01	23587525	SERVICE KIT, LAMP FAN
SK02	23587526	SERVICE KIT, DMD FAN
SK03	23587527	SERVICE KIT, BALLAST FAN
SK04	23587528	SERVICE KIT, THERMOSTAT
SK06	23587536	SERVICE KIT, B TO F CABLE
SK08	23587538	SERVICE KIT, S TO F CABLE
SK09	23587539	SERVICE KIT, FAN TRANSFER CABLE

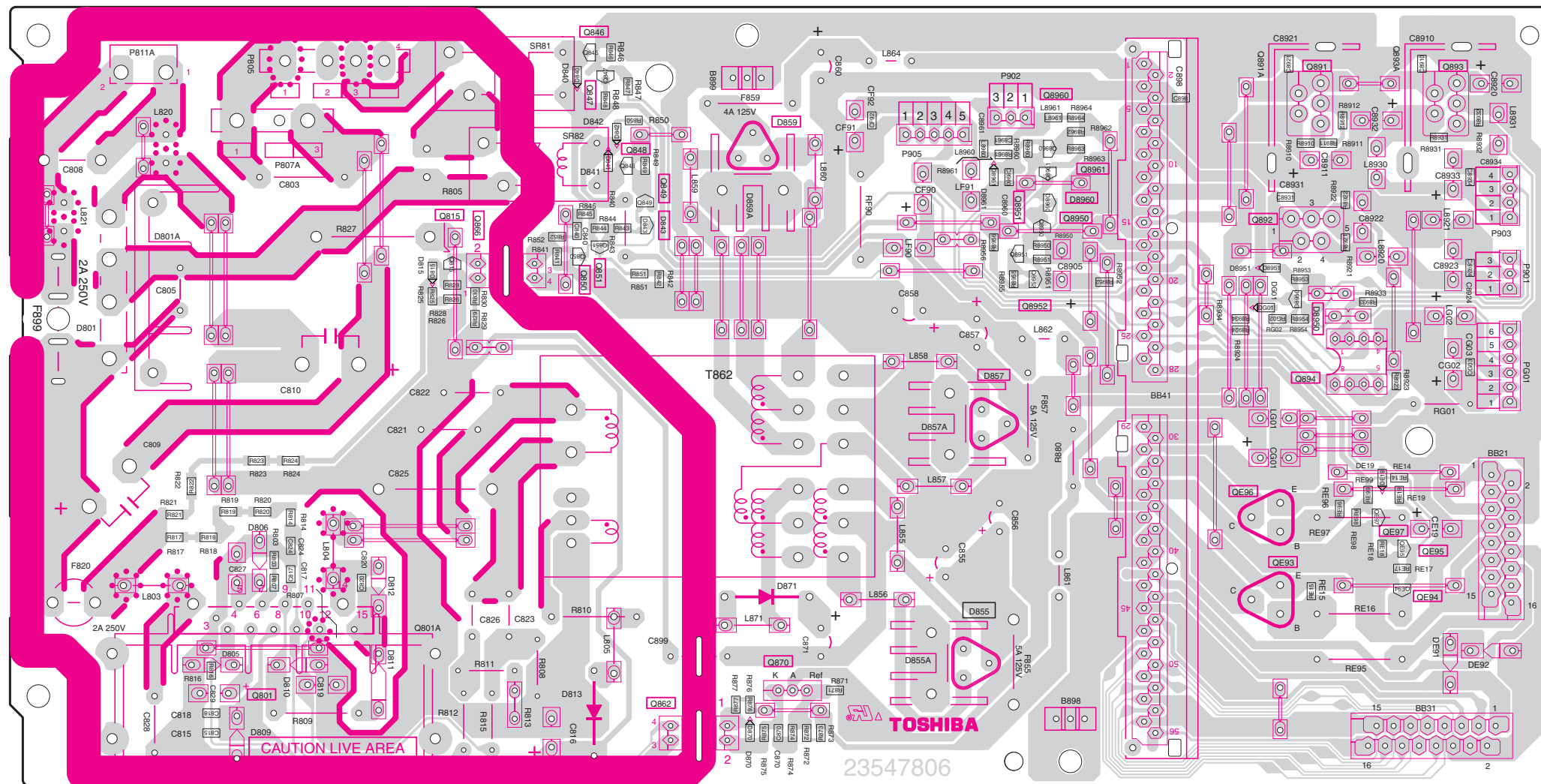
BACK AV BOARD PD2141A-1 (U104)
BOTTOM (FOIL) SIDE



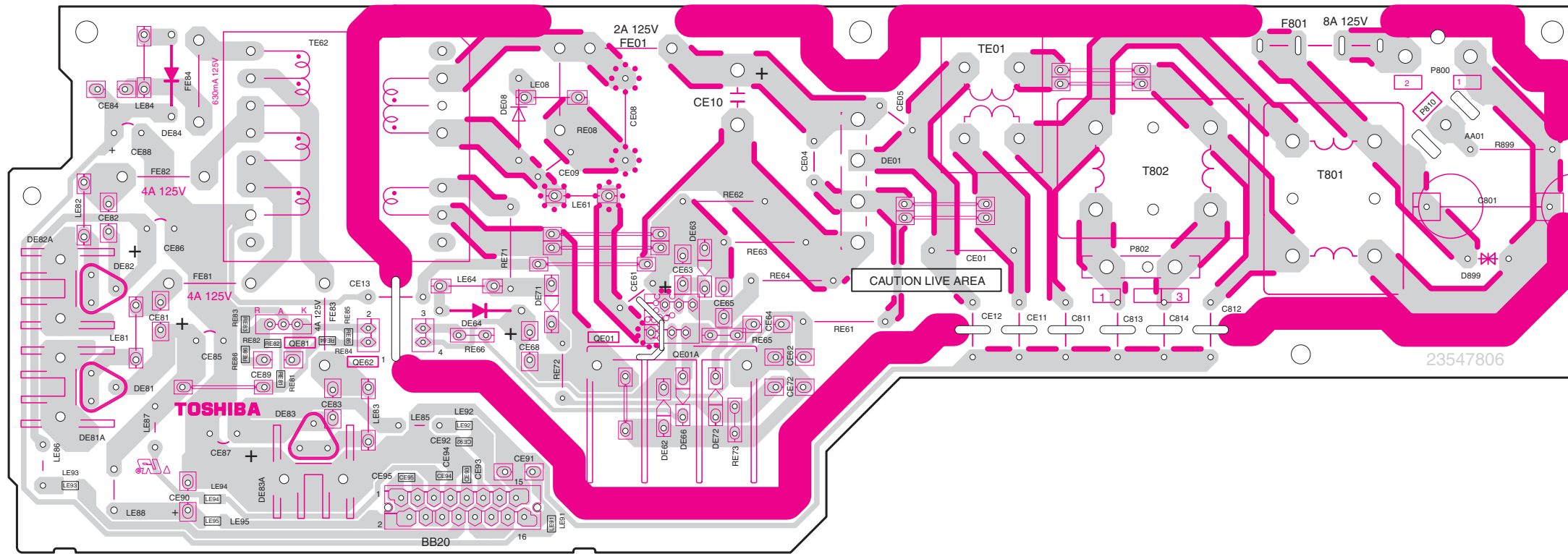
BACK AV BOARD PD214A-1 (U104)
TOP (COMPONENT) SIDE



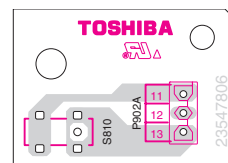
MAIN POWER BOARD PD2139A-1 (U801)
BOTTOM (FOIL) SIDE



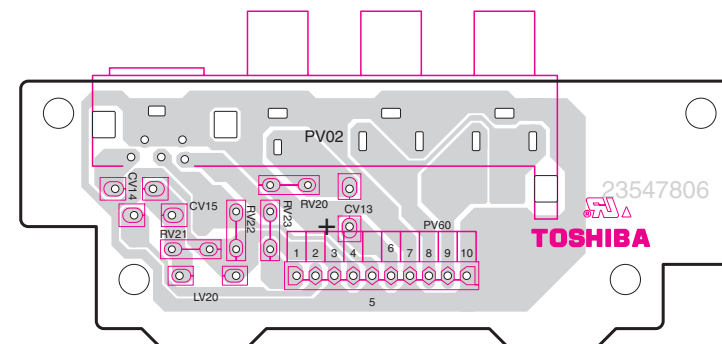
SUB POWER BOARD PD2139A-2 (U802)
BOTTOM (FOIL) SIDE



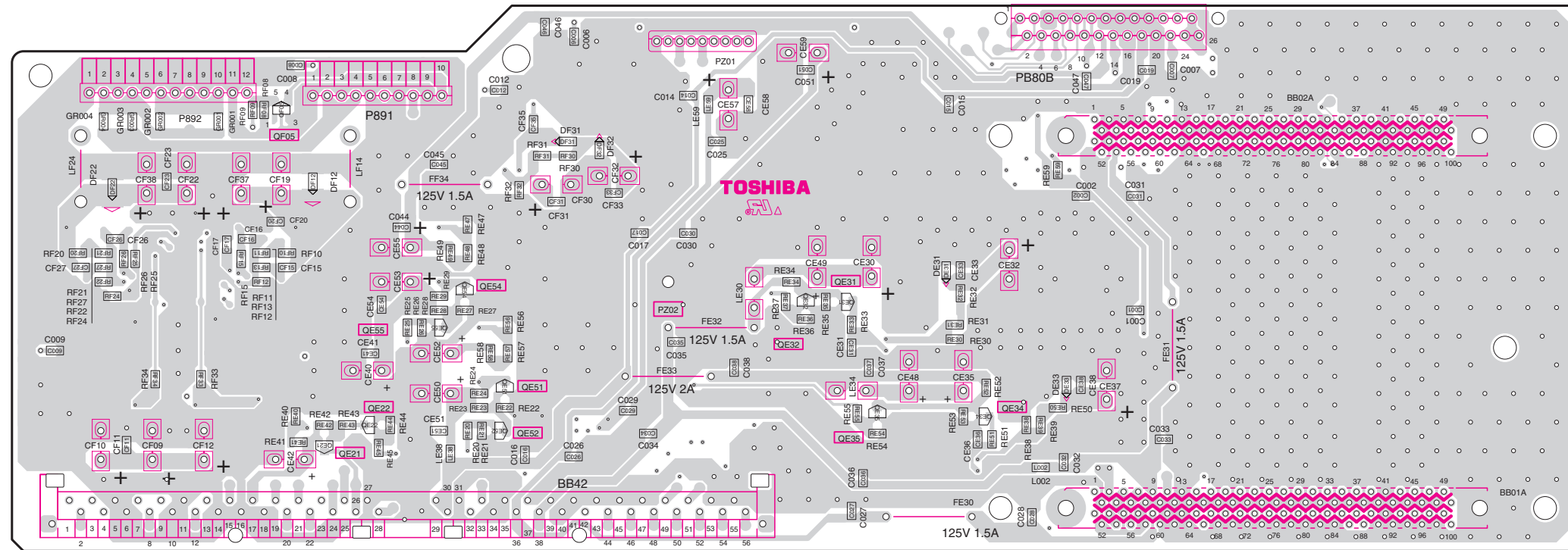
DOOR SW BOARD PD2139A-3 (UA03)
BOTTOM (FOIL) SIDE



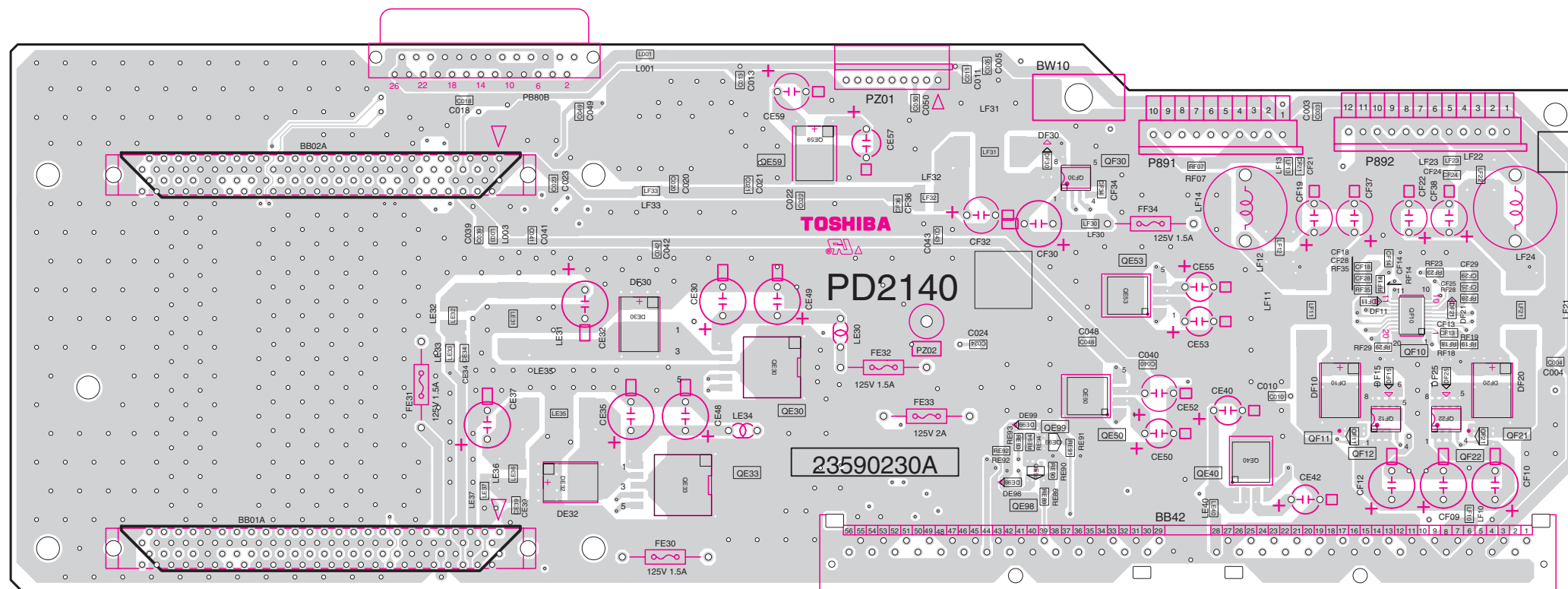
FRONT AV BOARD PD2139A-4 (UV04)
BOTTOM (FOIL) SIDE



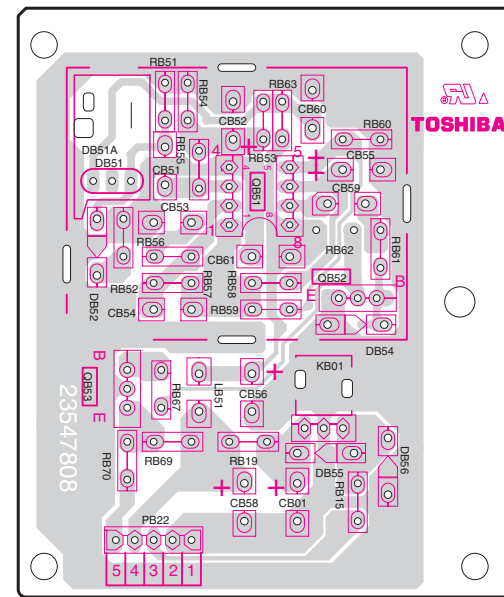
MOTHER BOARD PD2140A (U102)
BOTTOM (FOIL) SIDE



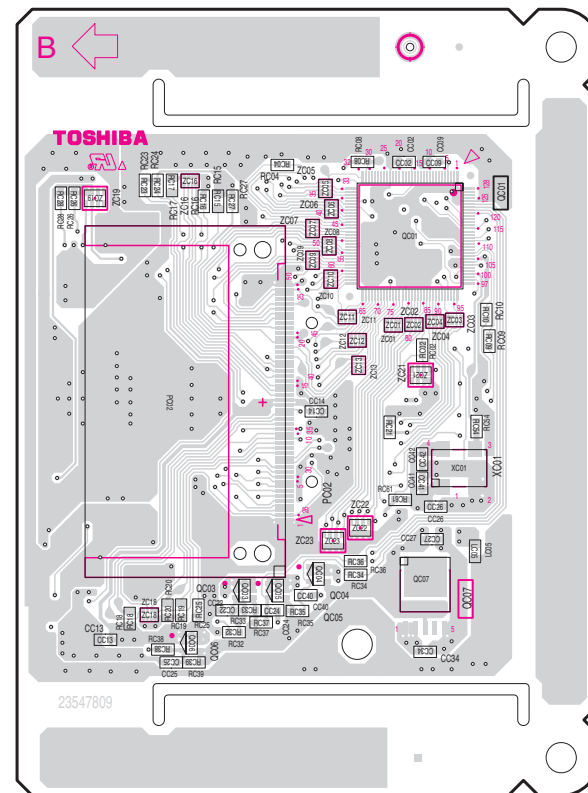
MOTHER BOARD PD2140A (U102)
TOP (COMPONENT) SIDE



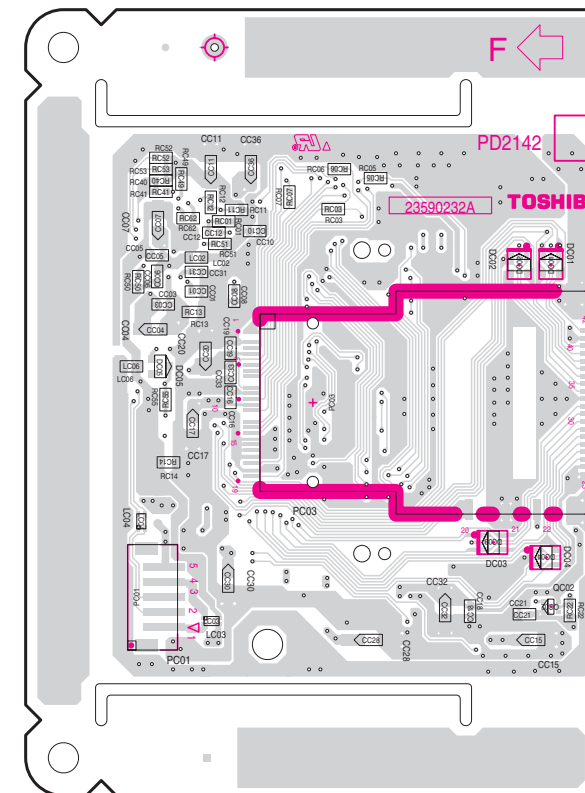
IR BLASTER BOARD PD2141A-2 (U105)
BOTTOM (FOIL) SIDE



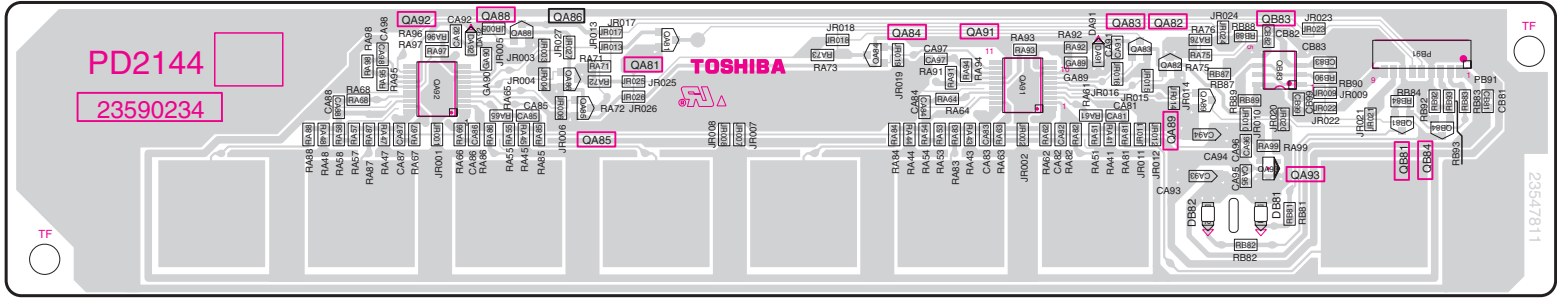
MULT CARD BOARD PD2142A (UC01)
BOTTOM (FOIL) SIDE



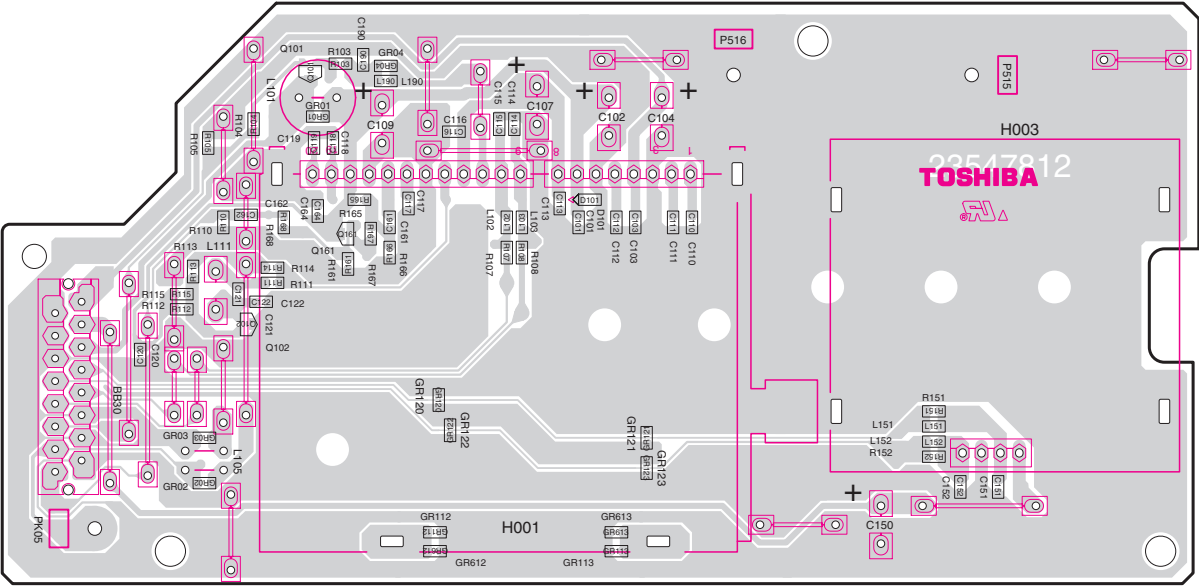
MULT CARD BOARD PD2142A (UC01)
TOP (COMPONENT) SIDE



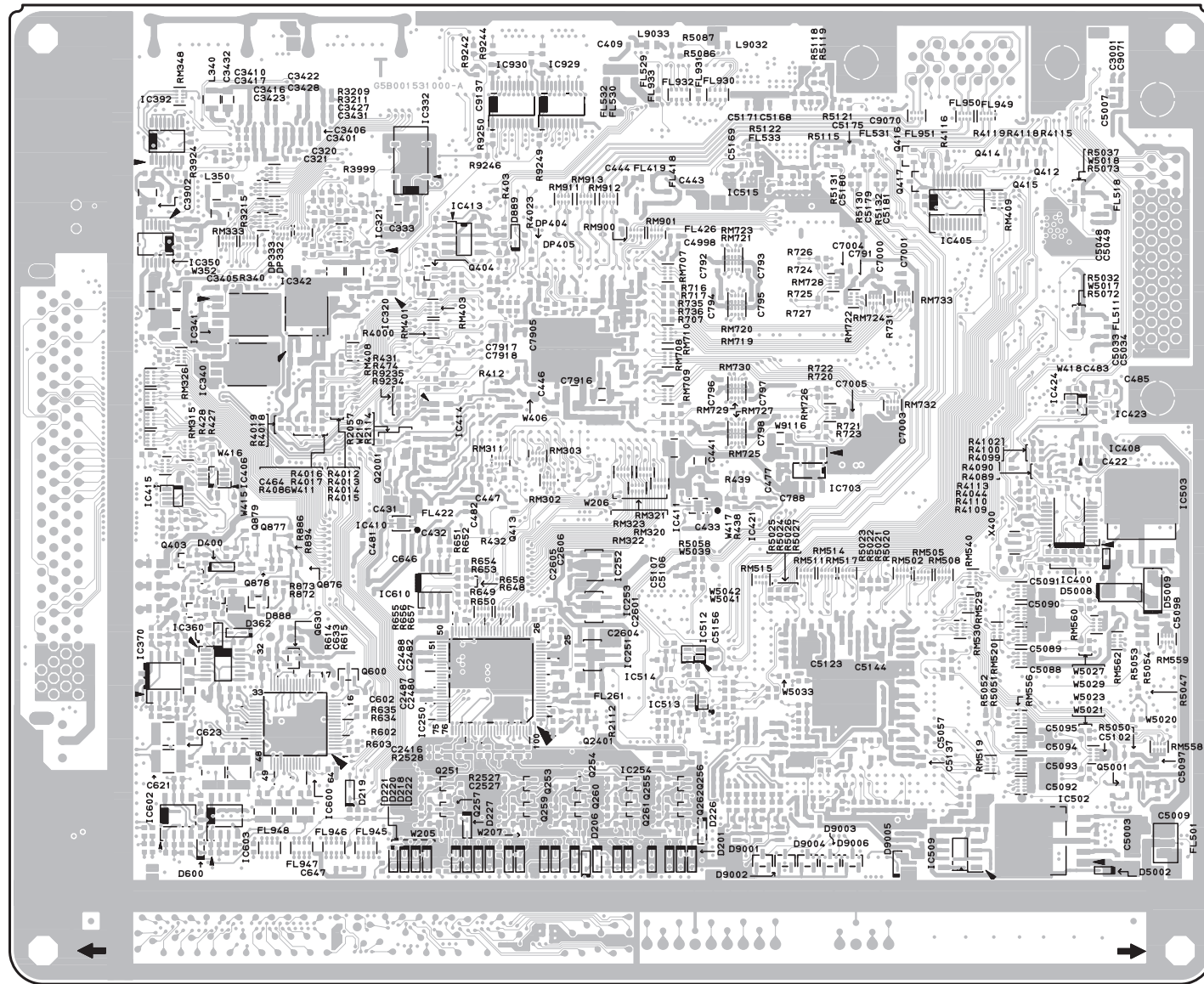
TOUCH PAD BOARD PD2144A (UA06)
BOTTOM (FOIL) SIDE



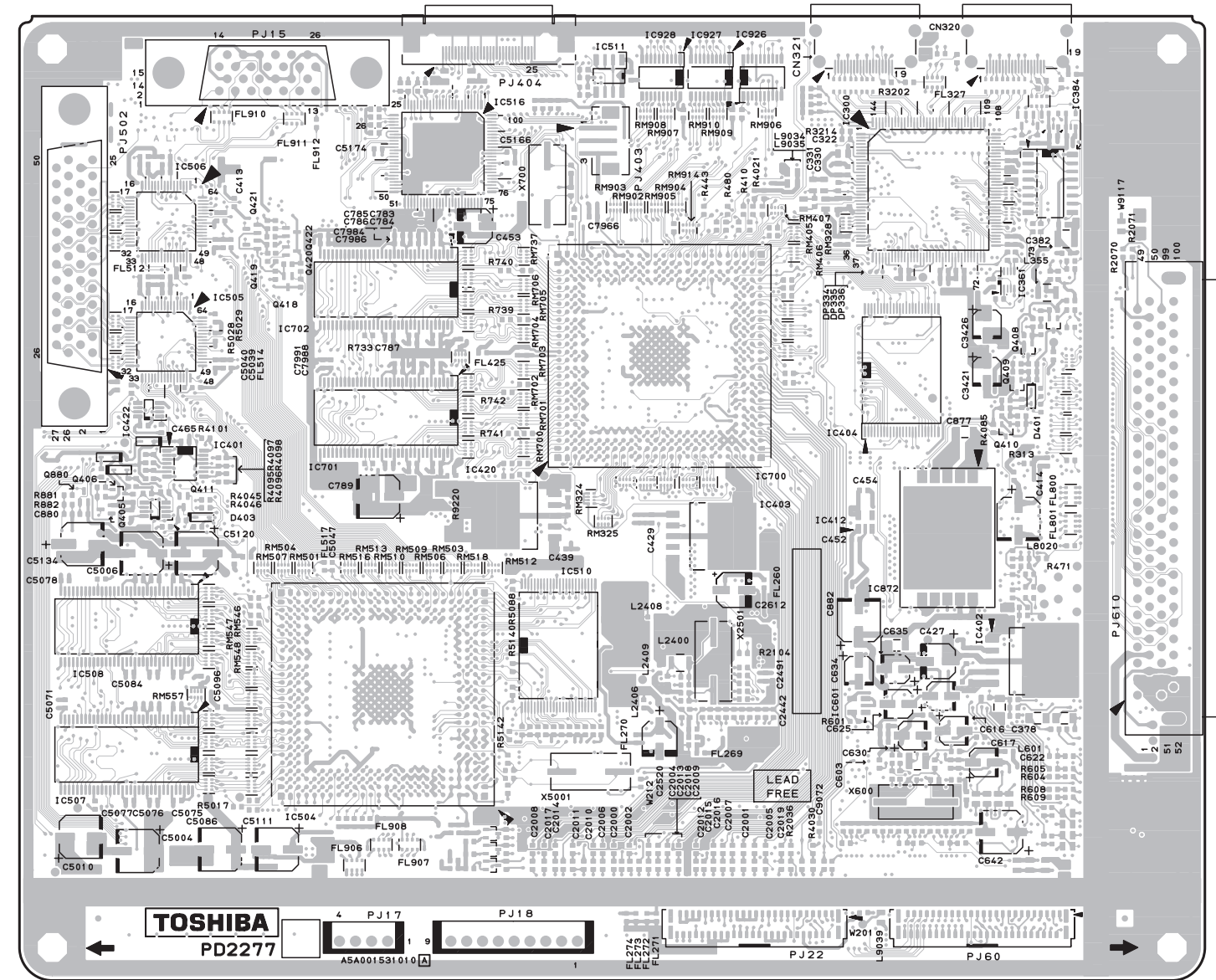
TUNER-RF BOARD PD2147A (U107)
BOTTOM (FOIL) SIDE



SIGNAL UNIT BOARD PD2277 (UD01)
BOTTOM (FOIL) SIDE

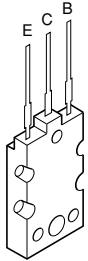


SIGNAL UNIT BOARD PD2277 (UD01)
TOP (COMPONENT) SIDE

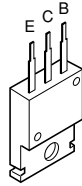


TERMINAL VIEW OF TRANSISTORS

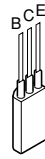
① 2SC5144
2SC5859



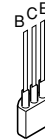
② 2SC3852
2SD1763A
2SC1569
2SC4544
2SA1788
2SA1306
2SA1186A



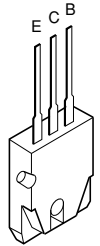
③ 2SC752GTM
2SC2482
2SC2655
2SC4721P



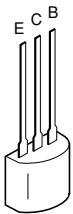
④ 2SC752
2SA562TM
2SA1015
2SC1815
2SC2878
2SC1740S
2SC2120
2SA9335



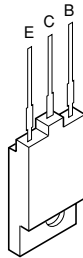
⑤ 2SA1788



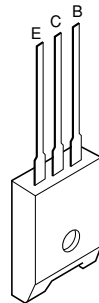
⑥ RN2203
RN2201
RN2004
RN1203
RN1204
RN2204
RN1205
RN1202
RN1201



⑦ 2SD1554
2SD2253
2SD1556
2SD2553
2SC5143



⑧ ON4409



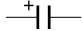
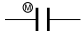
SCHEMATIC DIAGRAM

MODEL : 62HM95

WARNING: BEFORE SERVICING THIS CHASSIS, READ THE "X-RAY RADIATION PRECAUTION", "SAFETY PRECAUTION" AND "PRODUCT SAFETY NOTICE" ON THE MANUAL FOR THIS MODEL.

CAUTION: The international hazard symbols " \triangle " in the schematic diagram and the parts list designate components which have special characteristics important for safety and should be replaced only with types identical to those in the original circuit or specified in the parts list. The mounting position of replacements is to be identical with originals. Before replacing any of these components, read carefully the PRODUCT SAFETY NOTICE on the MANUAL for this model. Do not degrade the safety of the receiver through improper servicing.

NOTE:

1. RESISTOR Resistance is shown in ohm [K = 1.000, M = 1.000.000]. All resistors are 1/6W and 5% tolerance carbon resistor, unless otherwise noted as the following marks.
1/2R = Metal or Metal oxide of 1/2 watt 1/2S = Carbon composition of 1/2 watt
1RF = Fuse resistor of 1 watt 10W = Cement of 10 watt
K = $\pm 10\%$ G = $\pm 2\%$ F = $\pm 1\%$
2. CAPACITOR Unless otherwise noted in schematic, all capacitor values less than 1 are expressed in F, and the values more than 1 in pF.
All capacitors are ceramic 50V, unless otherwise noted as the following marks.
 Electrolytic capacitor  Mylar capacitor
3. The parts indicated with " \triangle " have special characteristics, and should be replaced with identical parts only.
4. Voltages read with DIGITAL MULTI-METER from point indicated to chassing ground, using a color bar signal with all controls at normal, line voltage at 220 volts.
5. Waveforms are taken receiving color bar signal with enough sensitivity.
6. Voltage reading shown are nominal values and may vary $\pm 20\%$ except H.V.

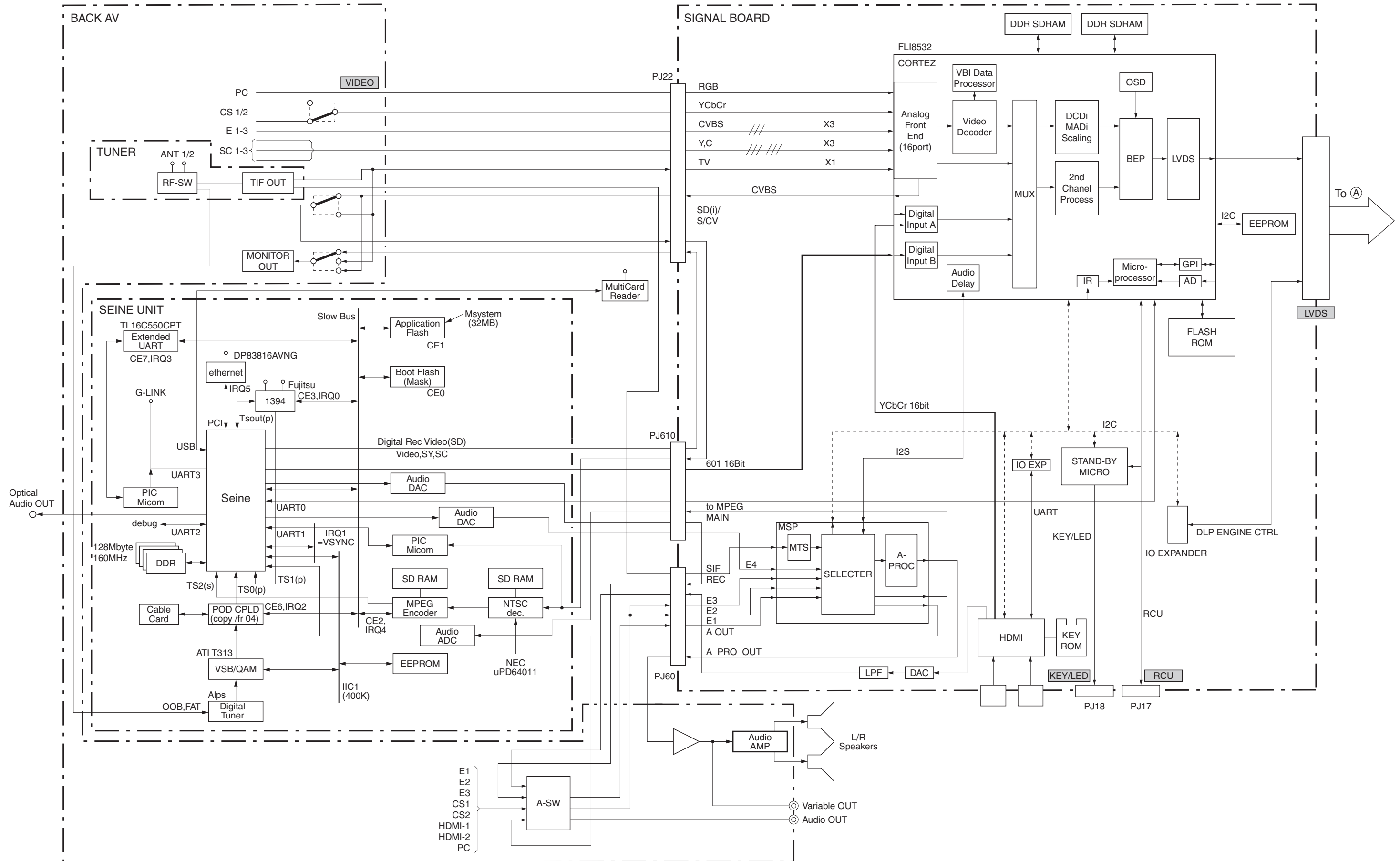
■ **SCHEMATIC DIAGRAM STRUCTURE:**

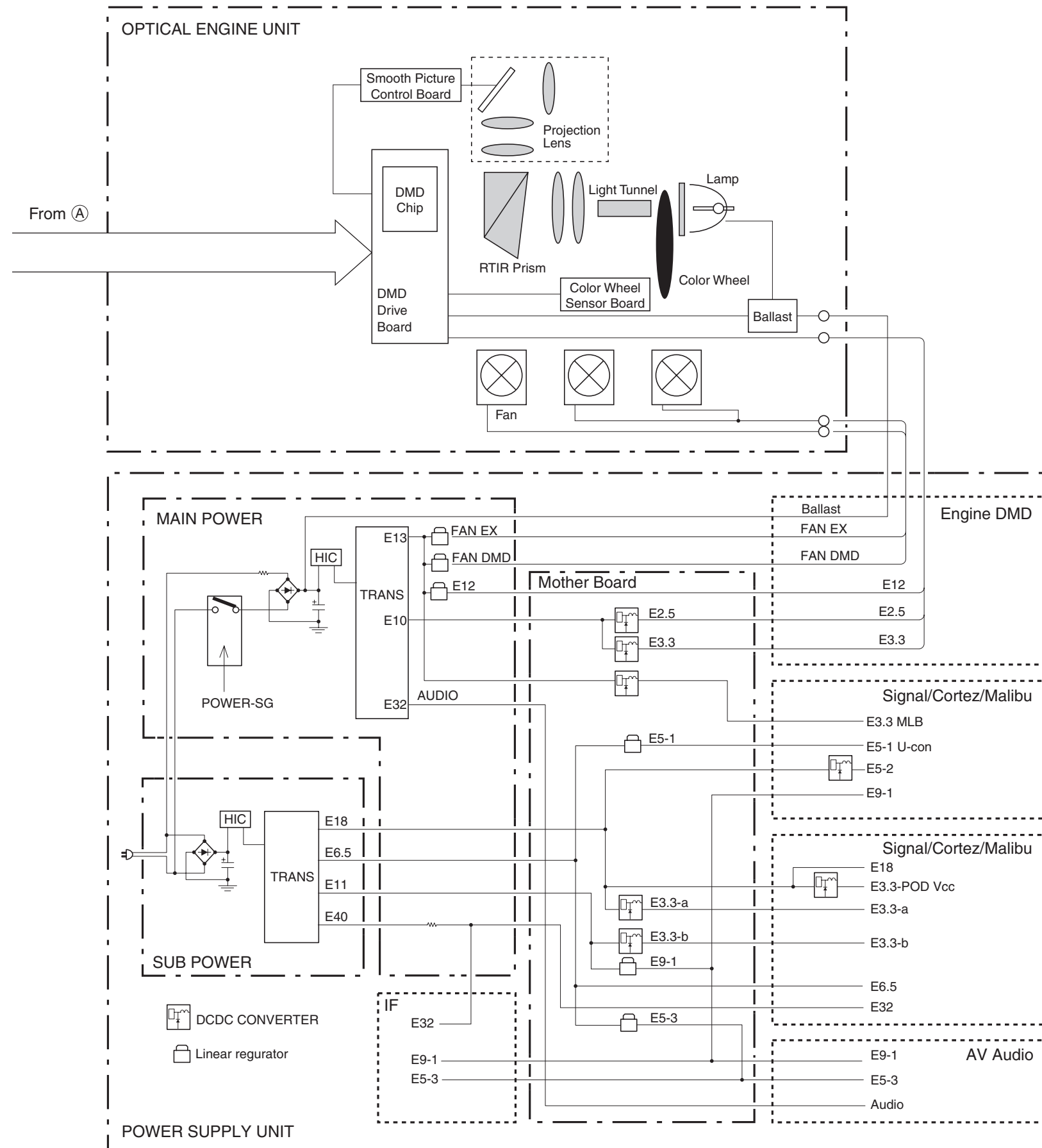
BACK_AV Circuit	CONNECTORS	[SHEET-1/6]	1/146
	AV Jacks	[SHEET-2/6]	2/146
	CS-SW	[SHEET-3/6]	3/146
	Audio Select	[SHEET-4/6]	4/146
	IR	[SHEET-5/6]	5/146
	Audio OUT	[SHEET-6/6]	6/146
FRONT_AV Circuit			7/146
FRONT_KEY Circuit	TOUCH_CONTROL_PANEL		8/146
RF_SW/TIF Circuit			9/146
IR_BRASTER Circuit			10/146
MAIN_POWER Circuit		[SHEET-1/3]	11/146
	REG & PROTECT & SW	[SHEET-2/3]	12/146
	CONNECTOR	[SHEET-3/3]	13/146
MOTHER Circuit	CONNECTOR	[SHEET-1/2]	14/146
	REG	[SHEET-2/2]	15/146
SUB POWER Circuit			16/146
SIGNAL Circuit	FLI8532 ANALOG_IN		17/146
MULTI_CARD Circuit	(1/4)	[SHEET-1/4]	18/146
	(2/4)	[SHEET-2/4]	19/146
	(3/4)	[SHEET-3/4]	20/146
	(4/4)	[SHEET-4/4]	21/146
SIGNAL	TC90101FG	[SHEET-205]	22/146
	COLOR-DEC-REG	[SHEET-206]	23/146
	FLI8532 DIGITAL_IN_A	[SHEET-300]	24/146
	FLI8532 DIGITAL_IN_B	[SHEET-301]	25/146
	HDMI# 1 (Link, I2C)	[SHEET-302]	26/146
	HDMI# 2 (Video/ Audio)	[SHEET-303]	27/146
	HDMI# 3 (POWER)	[SHEET-304]	28/146
	HDMI AUDIO_PLL	[SHEET-305]	29/146
	HDMI AUDIO_DAC	[SHEET-306]	30/146
	HDMI AUDIO_OUT	[SHEET-307]	31/146
	HDMI CONTROLLER	[SHEET-308]	32/146
	HDMI EEPROM2	[SHEET-309]	33/146
	FLI8532 MICRO I/O	[SHEET-400]	34/146
	FLI8532 OCM MEMORY I/F	[SHEET-401]	35/146
	FLASH MEMORY	[SHEET-402]	36/146
	SYNC SEPA	[SHEET-403]	37/146
	I/O_EXPANDER/E2P ROM	[SHEET-404]	38/146
	STD-BY MICOR	[SHEET-405]	39/146
	CORTEZ REG 1	[SHEET-406]	40/146
	CORTEZ REG 2	[SHEET-407]	41/146
	CORTEZ REG 3	[SHEET-408]	42/146
	I2C Switch	[SHEET-409]	43/146
	SERVICE CONNECTOR	[SHEET-410]	44/146
	ML POWER	[SHEET-501]	45/146
	ML ANALOG INPUT	[SHEET-502]	46/146
	ML DIGITAL INPUT	[SHEET-503]	47/146
	ML DPORT ODD	[SHEET-504]	48/146

	ML DPORT EVEN1	[SHEET-505]	49/146
	ML DPORT EVEN2	[SHEET-506]	50/146
	ML DDR INTERFACE	[SHEET-507]	51/146
	ML DDR SDRAM	[SHEET-508]	52/146
	ML DDR TERMINATION	[SHEET-509]	53/146
	ML OCM PORT	[SHEET-510]	54/146
	ML FLASH	[SHEET-511]	55/146
	ML SYSTEM CLK	[SHEET-512]	56/146
	ML POWER & GND	[SHEET-513]	57/146
	ML DVI Tx	[SHEET-514]	58/146
	AUDIO CONNECTOR	[SHEET-600]	59/146
	AUDIO_MSP	[SHEET-601]	60/146
	AUDIO_DELAY	[SHEET-602]	61/146
	FLI8532 POWER_1	[SHEET-700]	62/146
	FLI8532 POWER_2	[SHEET-701]	63/146
	FLI8532 DDR I/F	[SHEET-702]	64/146
	DDR SDRAM	[SHEET-703]	65/146
	DDR TERMINATION	[SHEET-704]	66/146
	POWER I/F	[SHEET-800]	67/146
	DIGITAL CONNECTOR	[SHEET-801]	68/146
	DC/DC_CONVERTER	[SHEET-802]	69/146
	FLI8532 LVDS_OUT	[SHEET-900]	70/146
SEINE_DIGITAL	MDR CONNECTOR	[SHEET-901]	71/146
	RMT IR & KEY LED Connector	[SHEET-903]	72/146
	CORTEZ Selector	[SHEET-904]	73/146
	SEINE Selector	[SHEET-905]	74/146
	RESET_CLOCK_TIMER_IRC	[SHEET-1]	75/146
	SLOW_BUS	[SHEET-2]	76/146
	SLOW_BUS_ADDRESS_REGISTER	[SHEET-3]	77/146
	IIC/UART	[SHEET-4]	78/146
	PIO	[SHEET-5]	79/146
	ROM/FLASH	[SHEET-6]	80/146
	M-SYSTEM_NAND_FLASHROM	[SHEET-7]	81/146
	IR	[SHEET-8]	82/146
	GLINK_IR-OUT	[SHEET-9]	83/146
	CLOCK_GENERATOR	[SHEET-10]	84/146
	USB_I/F	[SHEET-11]	85/146
	UARTO_INTERFACE	[SHEET-12]	86/146
	EJTAG_CONNECTOR	[SHEET-13]	87/146
	SEINE_PCI_BUS	[SHEET-14]	88/146
	MPU_POWER	[SHEET-16]	89/146
	Ext_UART	[SHEET-17]	90/146
	MACPHYTER_1	[SHEET-20]	91/146
	MACPHYTER_1	[SHEET-21]	92/146
	RJ45	[SHEET-22]	93/146
	TUNER_CONNECTOR	[SHEET-100]	94/146
	T313 (Signal)	[SHEET-101]	95/146
	1.1V Regulator	[SHEET-102]	96/146

T313 (POWER)	[SHEET-103]	97/146
SEINE_TS_I/F	[SHEET-150]	98/146
SEINE_CAPTURE_IN	[SHEET-200]	99/146
VIDEO_POWER	[SHEET-210]	100/146
SEINE_DIGITAL_OUT	[SHEET-220]	101/146
SEINE_BEP_IF	[SHEET-221]	102/146
DAC_OUT	[SHEET-225]	103/146
DOWN_CON_OUT_DRIVER	[SHEET-226]	104/146
HD_OUT_LPF	[SHEET-227]	105/146
MACRO_VCD	[SHEET-240]	106/146
MACRO_VCD	[SHEET-241]	107/146
VIDEO_LPF	[SHEET-242]	108/146
MPEG_Enc. (CLK_SDRAM)	[SHEET-250]	109/146
MPEG_Enc. (AV_I/F)	[SHEET-251]	110/146
MPEG_Enc. (STREAM_I/F)	[SHEET-252]	111/146
MPEG_Enc. (POWER)	[SHEET-253]	112/146
LPF_Slicer	[SHEET-260]	113/146
H/V_Sync_Sep.	[SHEET-261]	114/146
AUDIO_POWER	[SHEET-300]	115/146
SEINE_AUDIO_I/F	[SHEET-301]	116/146
AUDIO_DAC	[SHEET-302]	117/146
AUDIO_PLL/DAC	[SHEET-303]	118/146
AUDIO_VTR_OUT	[SHEET-304]	119/146
AUDIO_SP_OUT	[SHEET-305]	120/146
MPEG_AUDIO_TV_IN	[SHEET-306]	121/146
MPEG_AUDIO_ADC	[SHEET-307]	122/146
MPEG_AUDIO_PLL	[SHEET-308]	123/146
AUDIO_DAC_0.1CH	[SHEET-309]	124/146
AUDIO_VTR_OUT	[SHEET-310]	125/146
MB86619	[SHEET-400]	126/146
MB86619 (POWER)	[SHEET-401]	127/146
CPLD_XILINX	[SHEET-700]	128/146
SLOWBUS	[SHEET-701]	129/146
PODVPP	[SHEET-702]	130/146
POD_I/F	[SHEET-703]	131/146
PODVCC	[SHEET-704]	132/146
DDR_SDRAM_I/F	[SHEET-901]	133/146
DDR_1	[SHEET-902]	134/146
DDR_2	[SHEET-903]	135/146
DDR_3	[SHEET-904]	136/146
DDR_4	[SHEET-905]	137/146
DDR_POWER	[SHEET-906]	138/146
TERMINATOR	[SHEET-907]	139/146
DIGITAL_TUNER — VCXO	[SHEET-941]	140/146
SEINE_VDD/VSS	[SHEET-950]	141/146
Signal_filter	[SHEET-964]	142/146
CONNECTOR	[SHEET-965]	143/146
TUNER_CONNECTOR (TUNER)	[SHEET-104]	144/146
OOB_FDC	[SHEET-105]	145/146
FAT_TUNER	[SHEET-106]	146/146

CIRCUIT BLOCK DIAGRAM





TOSHIBA CORPORATION
1-1, SHIBAURA 1-CHOME, MINATO-KU, TOKYO 105-8001, JAPAN