



T&S BRASS AND BRONZE WORKS, INC.

2 Saddleback Cove / P.O. Box 1088
Travelers Rest, SC 29690

Model No.

TPS1020-E3130V5

Item No.

Travelers Rest, SC: 800-476-4103 • Simi Valley, CA: 800-423-0150 • Fax: 864-834-3518 • www.tsbrass.com

This Space for Architect/Engineer Approval

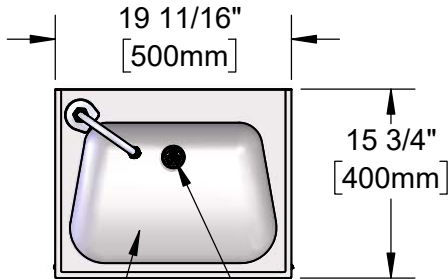
Job Name _____ Date _____

Model Specified _____ Quantity _____

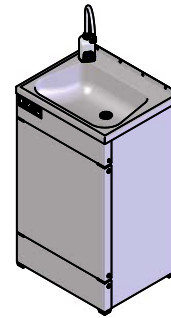
Customer/Wholesaler _____

Contractor _____

Architect/Engineer _____

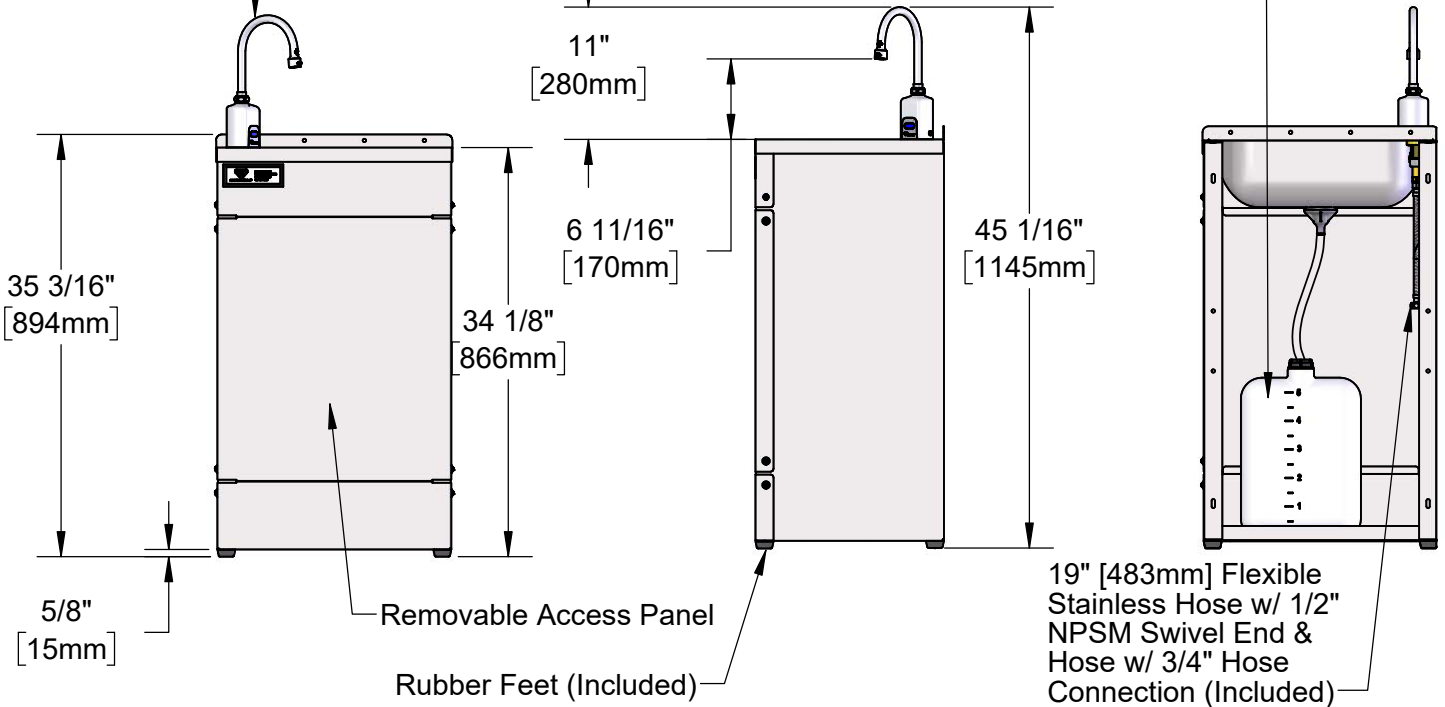


Trapezoidal Bowl
Removable Grid Strainer



EC-3130-ST-VF05
Above Deck Mount
Electronic Faucet w/
Swivel/Rigid Gooseneck,
VR 0.5 GPM Non-Aerated
Spray Device, Battery or
AC Adapter Powered.
Rigid Conversion Requires
014200-45 Lock Washer
(Included)

5 Gallon Waste
Tank (Included)



Product Specifications:

Portable Handwashing Station with Chrome Plated Brass Above Deck Electronic Faucet, Swivel/Rigid Gooseneck, VR 0.5 GPM Non-Aerated Spray Device, Battery or AC Adapter Powered, 19" Flexible Stainless Steel Supply Line, 5 Gallon Waste Tank & 3/4" Hose Connections for Fresh Water & Waste

Product Compliance:

ASME A112.18.1 / CSA B125.1
NSF 372 (Low Lead Content)
NSF 61 Exempt (Non-Potable)



T&S BRASS AND BRONZE WORKS, INC.

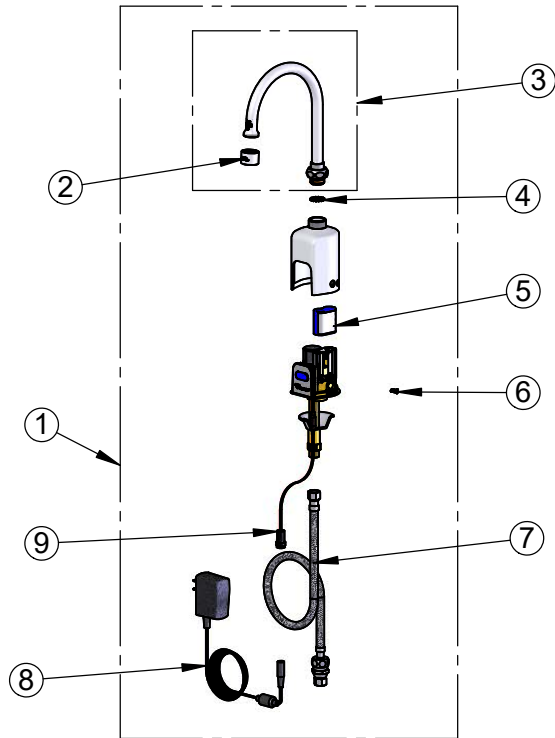
2 Saddleback Cove / P.O. Box 1088
Travelers Rest, SC 29690

Model No.

TPS1020-E3130V5

Item No.

Travelers Rest, SC: 800-476-4103 • Simi Valley, CA: 800-423-0150 • Fax: 864-834-3518 • www.tsbrass.com



ITEM NO.	SALES NO.	DESCRIPTION
1	EC-3130-ST-VF05	Above Deck Electronics Faucet w/ Swivel Gooseneck, VR 0.5 GPM Non-Aerated Spray Device, Battery or AC Adapter Powered
2	B-0199-06-N05	VR 0.5 GPM Non-Aerated Spray Device, 55/64-27 UN Female w/ Key
3	019283-40	Swivel Gooseneck w/ 0.5 GPM VR Non-Aerated Spray Device & Key
4	014200-45	Star Washer, Anti-Rotation
5	019087-45	6VDC Lithium Battery, CR-P2
6	019086-45	Body Plug, Pre-Set Temperature
7	18544-45	SS Flex Hose w/ Check Valve Adapter
8	5EF-0002	AC Transformer
9	019088-45	Auxiliary Power Connector Cable
10	TPS1000-5GW	5 Gallon Plastic Waste Tank

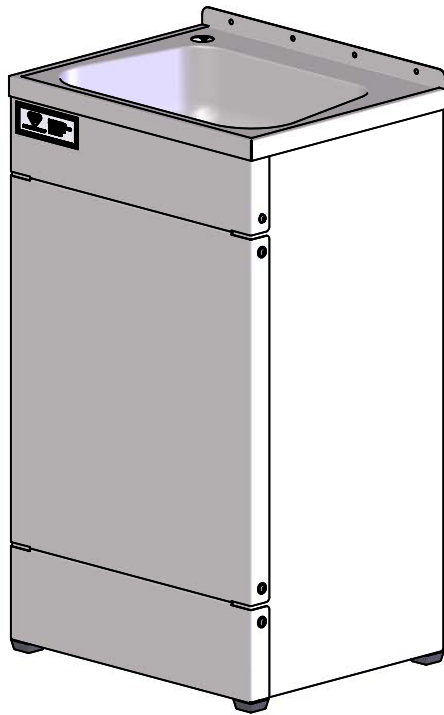
Flow Control Switches are Located Behind the Sensor.
Remove Battery to Access Switches.

* Switches are set to DEFAULT position:

- Auto Time Out = 15 seconds
- Shut Off Delay = 1 second
- Auto Flush = OFF

* Available Water Flow Control Selections:

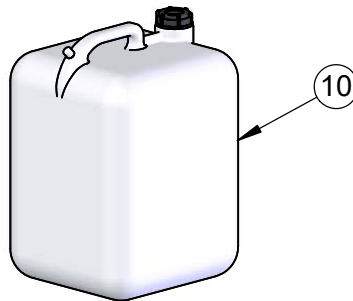
- Auto Time Out: 15 sec, 30 sec, 45 sec, 60 sec, 3 min, 20 min
- Shut Off Delay: 1 sec, 10 sec, 15 sec, 30 sec
- Auto Flush (30 Seconds After Every 12 Inactive Hours): ON or OFF



015425-45
VR Aerator Key



018543-45
Torx T-20 VR L-Key



Product Specifications:

Portable Handwashing Station with Chrome Plated Brass Above Deck Electronic Faucet, Swivel/Rigid Gooseneck, VR 0.5 GPM Non-Aerated Spray Device, Battery or AC Adapter Powered, 19" Flexible Stainless Steel Supply Line, 5 Gallon Waste Tank & 3/4" Hose Connections for Fresh Water & Waste

Product Compliance:

ASME A112.18.1 / CSA B125.1
NSF 372 (Low Lead Content)
NSF 61 Exempt (Non-Potable)