



# T&S BRASS AND BRONZE WORKS, INC.

2 Saddleback Cove / P.O. Box 1088  
Travelers Rest, SC 29690

Model No.

**SMPY-2LSN-00**

Item No.

Travelers Rest, SC: 800-476-4103 • Simi Valley, CA: 800-423-0150 • Fax: 864-834-3518 • www.tsbrass.com

This Space for Architect/Engineer Approval

Job Name \_\_\_\_\_ Date \_\_\_\_\_

Model Specified \_\_\_\_\_ Quantity \_\_\_\_\_

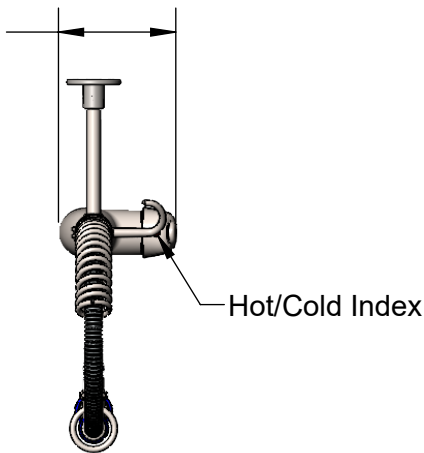
Customer/Wholesaler \_\_\_\_\_

Contractor \_\_\_\_\_

Architect/Engineer \_\_\_\_\_

4 7/8"  
[124mm]

**EVERSTEEL**



Hot/Cold Index

Items Not Shown  
For Clarity

Stainless Steel  
Finger Hook

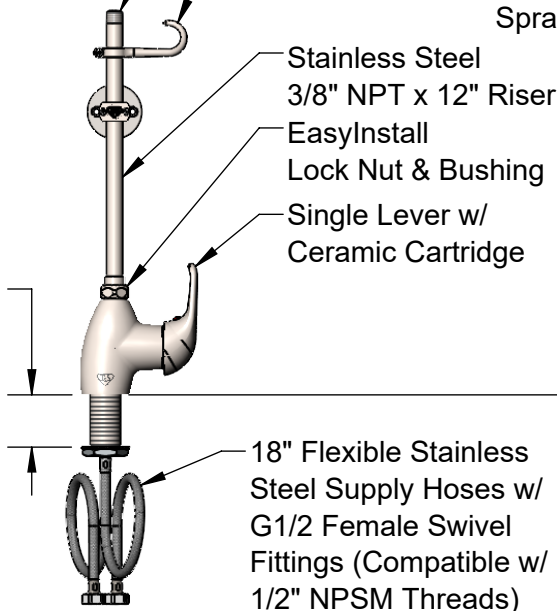
**S-0107-C**  
Stainless Steel  
0.65 GPM  
Spray Valve

Stainless Steel  
3/8" NPT x 12" Riser

EasyInstall  
Lock Nut & Bushing

Single Lever w/  
Ceramic Cartridge

2 3/16"  
[55mm]  
Maximum  
Thickness



18" Flexible Stainless  
Steel Supply Hoses w/  
G1/2 Female Swivel  
Fittings (Compatible w/  
1/2" NPSM Threads)

24" Flexible Stainless  
Steel Hose w/ Spring &  
Spray Valve

**S-0109-01**  
Stainless  
Steel  
6" Wall  
Bracket

25 1/16"  
[636mm]

7 11/16"  
[195mm]

Mounting  
Surface

Ø 2"  
[51mm]  
Deck  
Flange

7 3/8"  
[188mm]

Rough-in Requirement:

Ø 1 1/2" [38mm] Mounting Hole

Product Specifications:

Stainless Steel Pre-Rinse Unit: EasyInstall Single Hole Deck Mount Single Lever Faucet, Ceramic Cartridge, 24" Flexible Stainless Steel Hose, 0.65 GPM Low Flow Spray Valve, 6" Wall Bracket & Flexible Stainless Steel Supply Hoses

Product Compliance:

ASME A112.18.1 / CSA B125.1  
NSF 61 - Section 9  
NSF 372 (Low Lead Content)  
2019 DOE PRSV - Class I

Drawn: JMD

Checked: JRM

Approved: JHB

Date: 04/01/25

Scale: 1:8

Sheet: 1 of 2



# T&S BRASS AND BRONZE WORKS, INC.

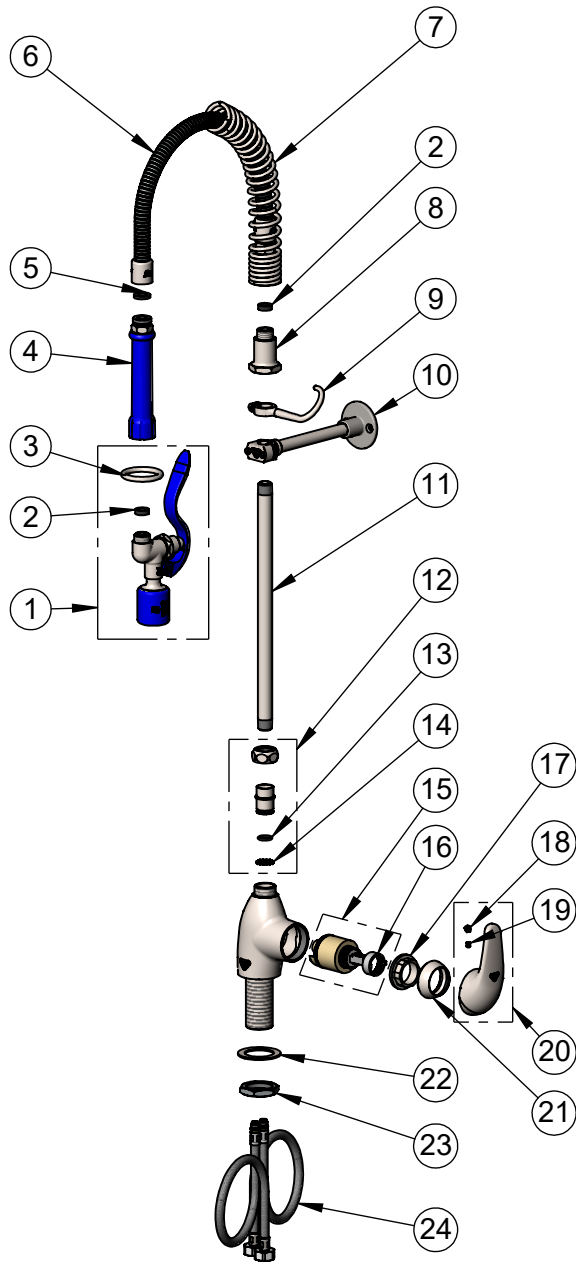
2 Saddleback Cove / P.O. Box 1088  
Travelers Rest, SC 29690

Model No.

**SMPY-2LSN-00**

Item No.

Travelers Rest, SC: 800-476-4103 • Simi Valley, CA: 800-423-0150 • Fax: 864-834-3518 • www.tsbrass.com



ITEM NO.	SALES NO.	DESCRIPTION
1	S-0107-C	Stainless Steel 0.65 GPM Spray Valve (Blue)
2	010476-45	#27 Washer
3	S000907-30	Spray Valve Hold Down Ring, Stainless Steel
4	S011482-30	Stainless Steel Grip Handle (Blue)
5	001014-45	Washer, Hose Barrel
6	S-0024-H2A	Flexible Stainless Steel Hose
7	S016795-30	Compact Spring
8	S000821-30	Spring Body
9	S004R	Finger Hook
10	S-0109-01	Stainless Steel 6" Wall Bracket
11	S145X	3/8" NPT x 12" Riser
12	SEZ-K	Stainless Steel EasyInstall Kit: Nut, Bushing, O-Ring & Lock Washer
13	001065-45	O-Ring
14	014200-45	Star Washer, Anti-Rotation
15	013111-45	Ceramic Cartridge w/ Temperature Limit Stop
16	015400-45	Temperature Limit Stop
17	S021022-20	Locking Nut, Stainless Steel
18	014173-45	Index, Temperature
19	016675-45	Set Screw
20	S021020-30	Single Lever Handle, Stainless Steel
21	S021021-30	Trim Ring, Stainless Steel
22	S020656-20	Washer, Stainless Steel
23	S020655-20	Lock Nut
24	012436-45DR	Flexible Connector Hose

**Product Specifications:**

Stainless Steel Pre-Rinse Unit: EasyInstall Single Hole Deck Mount Single Lever Faucet, Ceramic Cartridge, 24" Flexible Stainless Steel Hose, 0.65 GPM Low Flow Spray Valve, 6" Wall Bracket & Flexible Stainless Steel Supply Hoses

**Product Compliance:**

ASME A112.18.1 / CSA B125.1  
NSF 61 - Section 9  
NSF 372 (Low Lead Content)  
2019 DOE PRSV - Class I