



# T&S BRASS AND BRONZE WORKS, INC.

2 Saddleback Cove / P.O. Box 1088  
Travelers Rest, SC 29690

Model No.

**SMPK-8DLN-08**

Item No.

Travelers Rest, SC: 800-476-4103 • Simi Valley, CA: 800-423-0150 • Fax: 864-834-3518 • www.tsbrass.com

**EVERSTEEL™**

This Space for Architect/Engineer Approval

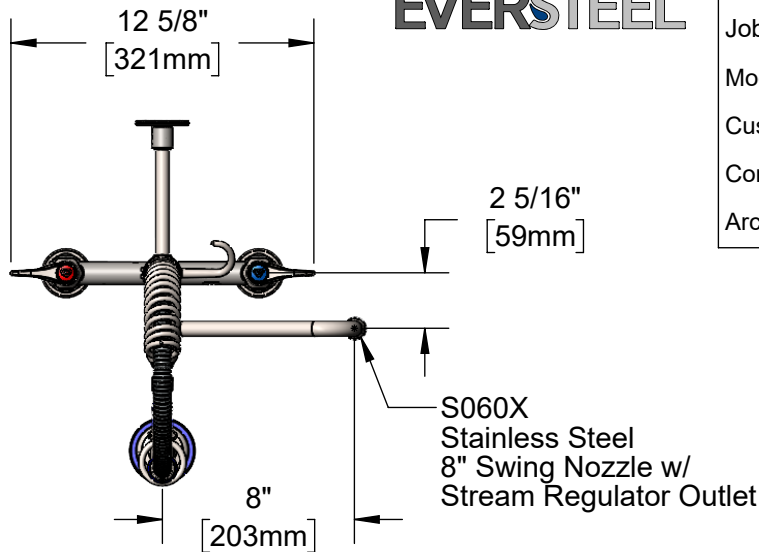
Job Name \_\_\_\_\_ Date \_\_\_\_\_

Model Specified \_\_\_\_\_ Quantity \_\_\_\_\_

Customer/Wholesaler \_\_\_\_\_

Contractor \_\_\_\_\_

Architect/Engineer \_\_\_\_\_



S060X  
Stainless Steel  
8" Swing Nozzle w/  
Stream Regulator Outlet

24" Flexible Stainless  
Steel Hose w/ Spring  
& Spray Valve

Items Not Shown  
For Clarity

Stainless Steel  
3/8" NPT x 8" Riser

S-0107  
Stainless Steel  
1.15 GPM  
Spray Valve

Stainless Steel  
Finger Hook

S-0109-01  
Stainless Steel  
6" Wall Bracket

Stainless Steel  
EasyInstall Add-On  
Faucet w/ Quarter-Turn  
Eterna Cartridge &  
Lever Handle

Mounting Surface

5 3/16"  
[131mm]

Adjustable From  
7 3/4" to 8 1/4"  
[197mm to 210mm]

Stainless Steel  
Quarter-Turn Eterna  
Cartridges w/ Spring  
Checks & Stainless Steel  
Lever Handles w/ Color  
Coded Indexes

7 3/8"  
[187mm]

7 1/4"  
[184mm]

9 15/16"  
[253mm]

13 1/8"  
[333mm]

24 5/8"  
[625mm]

8"  
[203mm]

8"  
[203mm]

2 5/16"  
[59mm]

24" Flexible Stainless  
Steel Hose w/ Spring  
& Spray Valve

Stainless Steel  
EasyInstall Add-On  
Faucet w/ Quarter-Turn  
Eterna Cartridge &  
Lever Handle

Stainless Steel  
Finger Hook

S-0109-01  
Stainless Steel  
6" Wall Bracket

Stainless Steel  
3/8" NPT x 8" Riser

S-0107  
Stainless Steel  
1.15 GPM  
Spray Valve

Items Not Shown  
For Clarity

Mounting Surface

7 3/8"  
[187mm]

7 1/4"  
[184mm]

9 15/16"  
[253mm]

13 1/8"  
[333mm]

24 5/8"  
[625mm]

8"  
[203mm]

8"  
[203mm]

2 5/16"  
[59mm]

24" Flexible Stainless  
Steel Hose w/ Spring  
& Spray Valve

Stainless Steel  
Finger Hook

S-0109-01  
Stainless Steel  
6" Wall Bracket

Stainless Steel  
EasyInstall Add-On  
Faucet w/ Quarter-Turn  
Eterna Cartridge &  
Lever Handle

Stainless Steel  
Quarter-Turn Eterna  
Cartridges w/ Spring  
Checks & Stainless Steel  
Lever Handles w/ Color  
Coded Indexes

Adjustable From  
7 3/4" to 8 1/4"  
[197mm to 210mm]

5 3/16"  
[131mm]

12 5/8"  
[321mm]

**Product Specifications:**

Stainless Steel Pre-Rinse Unit: EasyInstall 8" Deck Mount Mixing Faucet, Quarter-Turn Eterna Cartridges w/ Spring Checks, Lever Handles, Add-On Faucet w/ 8" Swing Nozzle, Compact Spring, 24" Flexible Stainless Steel Hose, 1.15 GPM Spray Valve, 6" Wall Bracket & 1/2" NPT Female Inlets

**Product Compliance:**

ASME A112.18.1 / CSA B125.1  
NSF 61 - Section 9  
NSF 372 (Low Lead Content)  
2019 DOE PRSV - Class II  
For Commercial Use Only



# T&S BRASS AND BRONZE WORKS, INC.

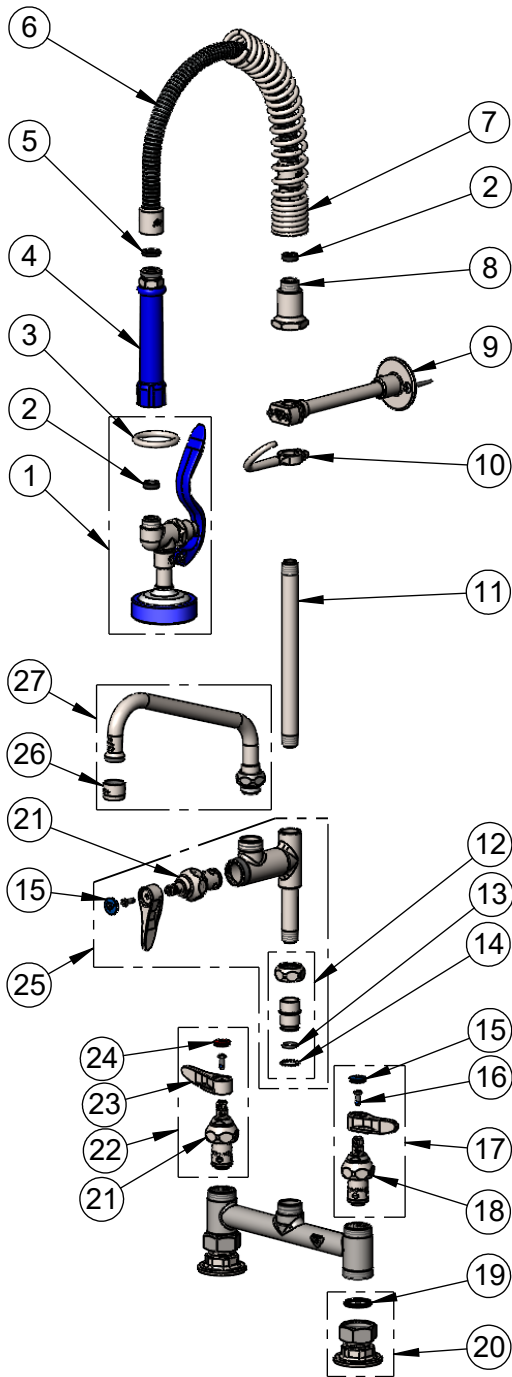
2 Saddleback Cove / P.O. Box 1088  
Travelers Rest, SC 29690

Model No.

**SMPK-8DLN-08**

Item No.

Travelers Rest, SC: 800-476-4103 • Simi Valley, CA: 800-423-0150 • Fax: 864-834-3518 • www.tsbrass.com



ITEM NO.	SALES NO.	DESCRIPTION
1	S-0107	Stainless Steel 1.15 GPM Spray Valve (Blue)
2	010476-45	#27 Washer
3	S000907-30	Spray Valve Hold Down Ring, Stainless Steel
4	S011482-30	Stainless Steel Grip Handle (Blue)
5	001014-45	Washer, Hose Barrel
6	S-0024-H2A	24" Flexible Stainless Steel Hose, Less Handle
7	S016795-30	Stainless Steel Compact Spring
8	S000821-30	Stainless Steel Spring Body
9	S-0109-01	Stainless Steel 6" Wall Bracket
10	S004R	Stainless Steel Finger Hook
11	S078X	Stainless Steel 3/8" NPT x 8" Riser
12	SEZ-K	Stainless Steel EasyInstall Kit: Nut, Bushing, O-Ring & Lock Washer
13	001065-45	O-Ring
14	014200-45	Star Washer, Anti-Rotation
15	018506-19NS	Blue Button Index, Press-in
16	000925-45	Lab Handle Screw
17	S002711-30NS	Stainless Steel Quarter-Turn Eterna Cartridge w/ Spring Check, Handle, Blue Index & Screw, LTC
18	S012442-30NS	Stainless Steel Quarter-Turn Eterna Cartridge w/ Spring Check, LTC
19	010569-45	Washer, Inlet Flange Coupling (UK)
20	S00AA	Stainless Steel 1/2" NPT Female Eccentric Flange
21	S012443-30NS	Stainless Steel Quarter-Turn Eterna Cartridge w/ Spring Check, RTC
22	S002712-30NS	Stainless Steel S Quarter-Turn Eterna Cartridge w/ Spring Check, Handle, Red Index & Screw, RTC
23	S001638-30NS	Stainless Steel Lever Handle (New Style)
24	001193-19NS	Red Button Index, Press-in
25	S-0155-LNEZ	Stainless Steel EasyInstall Add-On Faucet w/ Quarter-Turn Eterna Cartridge & Lever Handle, Less Nozzle
26	S-PT	Stainless Steel Full Flow Stream Regulator, 55/64-27
27	S060X	Stainless Steel 8" Swing Nozzle

**Product Specifications:**

Stainless Steel Pre-Rinse Unit: EasyInstall 8" Deck Mount Mixing Faucet, Quarter-Turn Eterna Cartridges w/ Spring Checks, Lever Handles, Add-On Faucet w/ 8" Swing Nozzle, Compact Spring, 24" Flexible Stainless Steel Hose, 1.15 GPM Spray Valve, 6" Wall Bracket & 1/2" NPT Female Inlets

**Product Compliance:**

ASME A112.18.1 / CSA B125.1  
NSF 61 - Section 9  
NSF 372 (Low Lead Content)  
2019 DOE PRSV - Class II  
For Commercial Use Only